

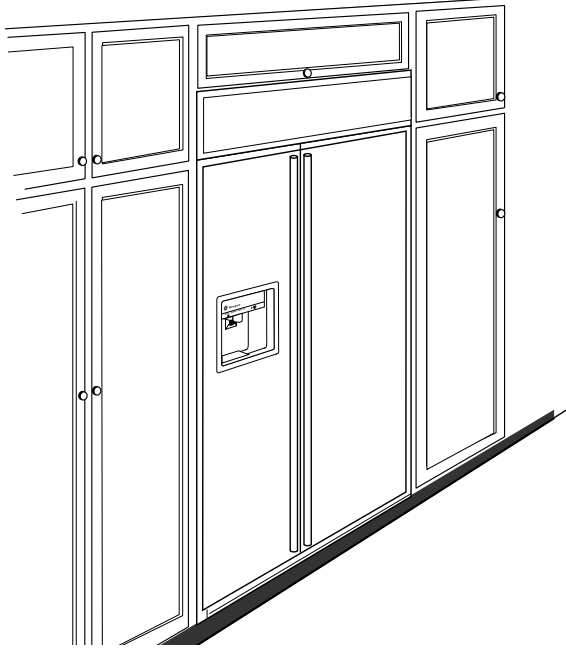


Monogram™

ZIS42NC - GE Monogram 42" Built-In Refrigerator with Automatic Icemaker and Water Filter

Design Information

Advanced Planning for a Flush Installation



Side Panels Requirements:

- Side panels are not required whenever the refrigerator is installed into an enclosure or between pantry and oven cabinets.
- Side panels are required whenever the sides of the refrigerator are exposed.
- Side panel sizes vary depending on type of installation being made.

For a flush installation, you must:

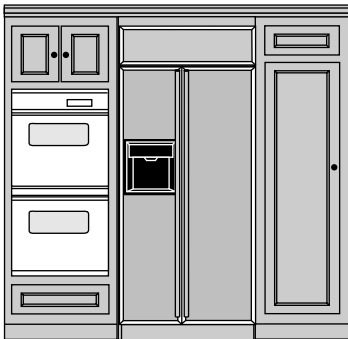
1. Determine the need for side panels.
2. Determine side panel thickness.
3. Order matching side panels from the cabinet manufacturer. Be sure to provide the exact dimensions.

The following cutout dimensions examples will provide a flush fit. If you have a unique installation situation (other than those illustrated here), see Product Dimensions to calculate the rough-in dimensions.

Monogram built-in refrigerators are designed to be installed with typical 24-3/4" deep cabinetry.

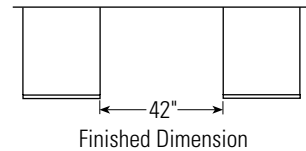
In a flush installation, the refrigerator doors will align evenly with the front face of adjacent cabinets.

Installation Between Wall Oven and Pantry Cabinet



Side panels are not required whenever the refrigerator is installed into an enclosure or between pantry and oven cabinets.

The minimum cutout for a custom enclosure should be:
84" H x 42" W x 24-3/4" D



For answers to your Monogram® GE Profile Performance Series™ GE Profile™ or GE appliance questions, call GE Answer Center® service, 800.626.2000.

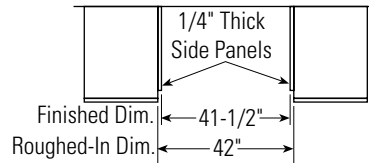
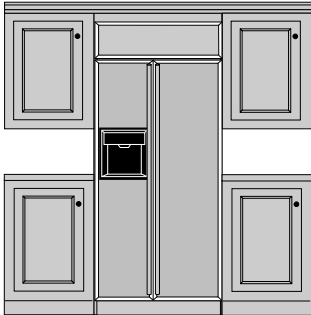




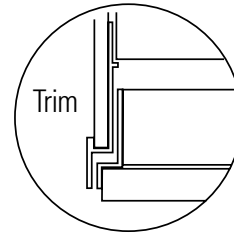
Monogram™

ZIS42NC - GE Monogram 42" Built-In Refrigerator with Automatic Icemaker and Water Filter

Design Information Installation Between Base & Wall Cabinets

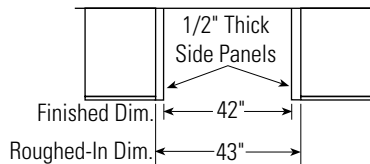
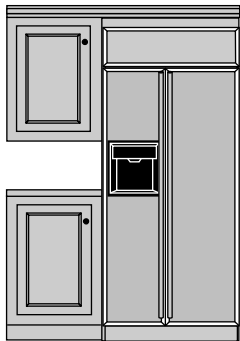


Note: 1/4" thick side panels can be inserted into the case trim, making the rough-in the same as the outside trim width, 42".

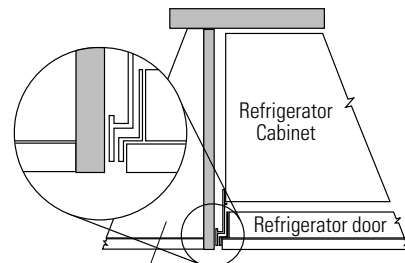


1/4" Side Panels. Insert end of side panel into trim.

Installation at End of Run



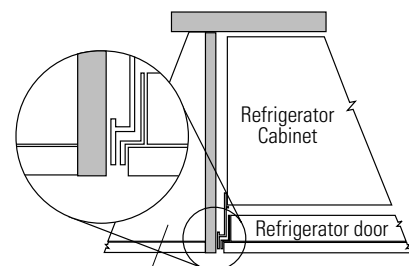
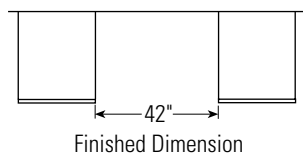
Note: 1/2" thick side panels shown. Side panels can be any thickness. Add side panel thickness to outside trim width (42") to calculate the rough-in dimension



1/2" To 3/4" Side Panels. Leading Edge Flush With Cabinet.

Frameless Cabinets

Side panels, 1/2" minimum thickness are required when using frameless cabinets. The side panel acts as a spacer between the cabinet and the case trim and prevents interference with cabinet door swing.



1/2" To 3/4" Side Panels. Leading Edge Flush With Cabinet.

For answers to your Monogram®
GE Profile Performance Series™
GE Profile™ or GE appliance questions, call
GE Answer Center® service, 800.626.2000.

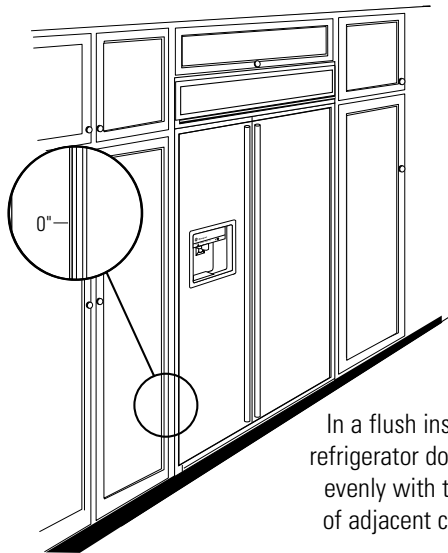




Monogram™

ZIS42NC - GE Monogram 42" Built-In Refrigerator with Automatic Icemaker and Water Filter

True Flush Installation



In a flush installation, the refrigerator doors will align evenly with the front-face of adjacent cabinet doors.

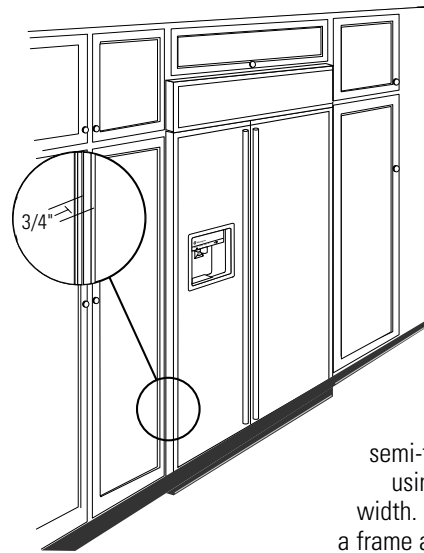
Advantage

- The flush appearance allows the refrigerator to blend into the surrounding cabinetry or wall.
- The flush fit uses less floor space.
- A custom continuous toe-kick may be used to form an unbroken line at the base of cabinetry.

Disadvantage

- The enclosure must be constructed accurately and perfectly square, otherwise, gaps between case trim and surrounding cabinetry will show.

Semi-Flush Installation



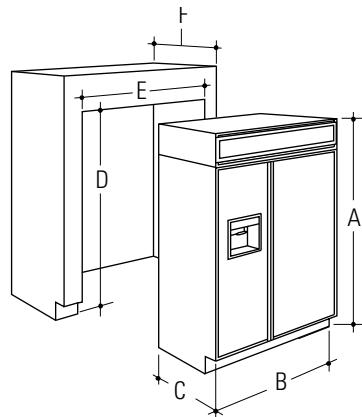
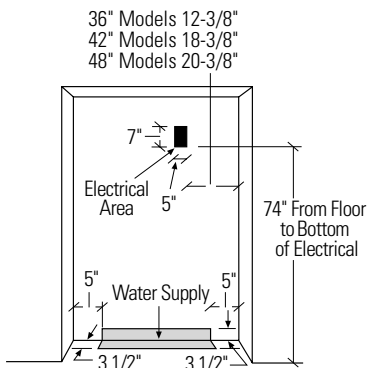
These refrigerators can also be installed semi-flush into an enclosure using the minimum cutout width. The case trim provides a frame around the refrigerator.

Advantage

- If cabinetry or enclosure is not perfectly square, the case trim will cover the surrounding cabinetry edges.

Disadvantage

- The refrigerator will project forward, approximately 3/4" beyond the front face of surrounding cabinetry. The top grille panel will project forward of upper cabinetry or soffit.



		ZISW48D ZISB48D ZIS48N	ZISW42D ZISB42D ZIS42N	ZISW36D ZISB36D ZIS36N
PRODUCT DIMENSIONS	A*	83"	83"	83"
	B	48"	42"	36"
	C	24-3/4"	24-3/4"	24-3/4"
FINISHED FLUSH ENCLOSURE	D*	84"	84"	84"
	E†	48" Min.	42" Min.	36" Min.
	F	24-3/4" Min.	24-3/4" Min.	24-3/4" Min.
FINISHED SEMI-FLUSH ENCLOSURE	D*	84"	84"	84"
	E†	47-1/2" Min.	41-1/2" Min.	35-1/2" Min.
	F	24" Min.	24" Min.	24" Min.

*Factory set installation height is 84". Height adjustments are accomplished with optional grille panel frame kits. Order ZG2 grille panel kit for all ZIS models.

† Side panels are not required when installing into an enclosure. Side panels are required whenever the sides of the refrigerator are exposed. If side panels are used, add side panel thickness to calculate finished cutout width.

See Installation Instructions for Details, Order Pub. No. 49-6964-2 for ZIS36 models, Pub. No. 49-6963-2 for ZIS42 models and Pub. No. 49-6962-2 for ZIS48 models.

Specification Revised 2/00

For answers to your Monogram® GE Profile Performance Series™ GE Profile™ or GE appliance questions, call GE Answer Center® service, 800.626.2000.

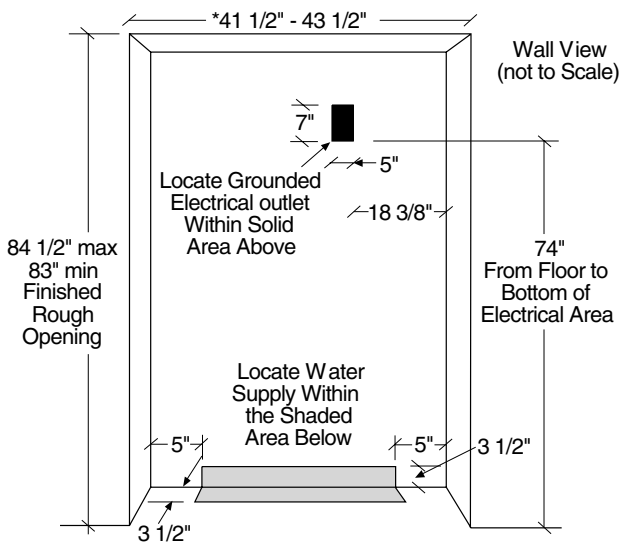
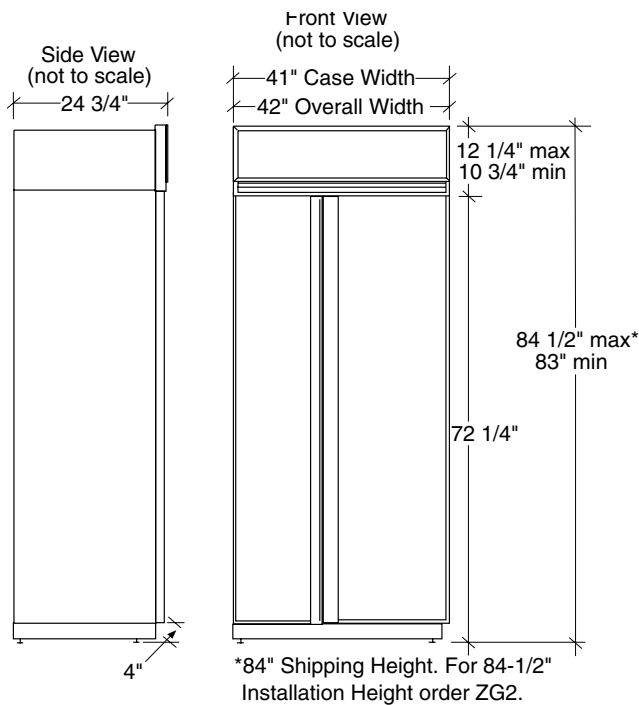




Monogram™

ZIS42NC - GE Monogram 42" Built-In Refrigerator with Automatic Icemaker and Water Filter

Dimensions and Specifications (in inches)



*The finished and rough-in dimensions are determined by the type of installation being made. The finished cutout width includes side panel thicknesses. See "Advanced Planning For A Flush Installation."

Design Information: Designed to be installed flush with surrounding cabinetry. Cutout dimensions, clearances and side panel sizes are determined by the many installation options available. Side panels must be used whenever the sides of the refrigerator will be exposed. Side panels are not required when refrigerator is installed into an enclosure or between pantry and oven cabinets. **Important**-Side panels, 1/2" min. thickness are required for **frameless cabinets**.

Field installed custom panels, Lexan®, or stainless steel panels are required. Custom door panels and grille panel sizes vary to accommodate the kit being used.

A custom toekick can be installed to match or complement the surrounding cabinetry. A standard toekick is supplied. For a custom toekick, use supplied toekick as a template to cut notches for hinges and water lines.

Optional Kits:

- ZWBP42: Black Lexan®, Panel Kit (no trim kit required).
- ZWWP42: White Lexan®, Panel Kit (no trim kit required).
- ZWSP42: Stainless Steel Panel Kit (no trim kit required).
- ZKH1: Provides for the installation of a custom handle on 1/4" custom panels.
- ZG2: Provides 1/4" grille panel frame side pieces for 83", 83-1/2" and 84-1/2" installation heights. Factory set height is 84".
- ZKT42: Provides for the installation of 3/4" custom door and grille panels.
- ZKHT1: Provides for the installation of a custom handle using 3/4" custom panels. (This kit must be used in combination with ZKT42.)
- ZKHSS1: Tubular stainless steel handles on 1/4" panels.
- ZKHTSS1: Tubular stainless steel handles on 3/4" panels. This kit must be used in combination with ZKT48.

Additional Specifications: A 115 volt 60 Hz., 15 or 20 amp power supply is required. An individual properly grounded branch circuit or circuit breaker is recommended. Install a properly grounded 3-prong electrical receptacle recessed into the back wall. Electrical must be located on rear wall.

Water line can enter opening through the floor or back wall. The water line should be 1/4" O.D. copper tubing between the cold water line and water connection location, long enough to extend to the front of the refrigerator. Installation of an easily accessible shut off valve in the water line is recommended.

Clearances: If the refrigerator is to be installed in a corner, a 4" min. clearance between the case trim and adjacent wall on both sides of the refrigerator will assure a 90° door opening and access to all drawers. A 10" clearance is required on both sides for removal of pans.

For answers to your Monogram®, GE Profile Performance Series™, GE Profile™ or GE appliance questions, call GE Answer Center® service, 800.626.2000.



Listed by
Underwriters
Laboratories

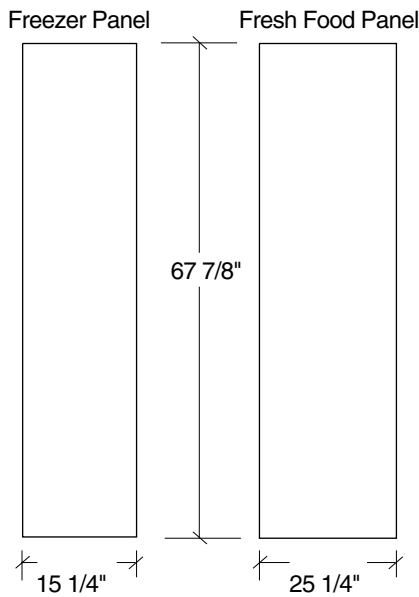


Monogram™

ZIS42NC - GE Monogram 42" Built-In Refrigerator with Automatic Icemaker and Water Filter

Dimensions and Specifications (in inches)

Custom Door Panel Dimensions Using Standard Trim
1/4" thick panels or Panels secured to 1/4" thick backing



Standard Trim with 1/4" Panels

1/4" Panels: Cut panels to size.

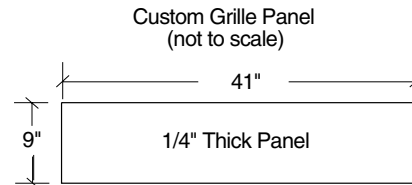
Custom handles with 1/4" door panels require Trim Kit ZKH1. Tubular Stainless Steel handles with 1/4" door panels require trim kit ZKHSS1.

Standard Trim with Panels secured to 1/4" thick backing

Applying a raised panel design to a 1/4" thick backing (screwed or glued): Cut 1/4" panels to size, fabricate the raised panel to permit clearances of at least 2" from the handle side for fingertip clearance, 1-1/4" from the hinge side to avoid striking adjacent cabinetry and 5/16" from the top and bottom edges to allow for the trim flange then install.

Countertops adjacent to refrigerator installation should be mitered 45° degrees.

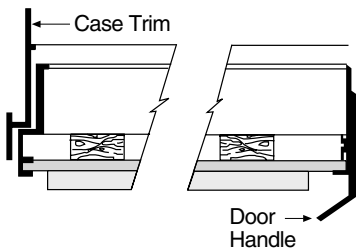
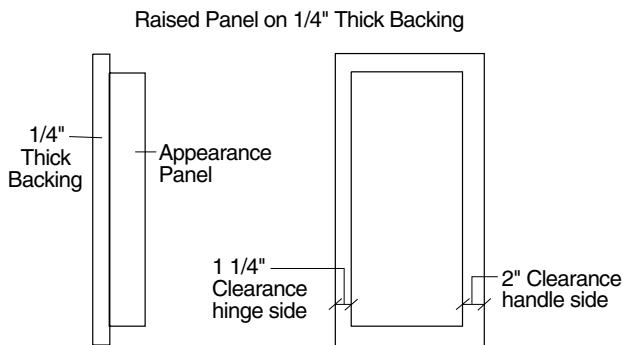
Note: ZKHT1 custom handle kit cannot be used in this configuration.



The grille panel frame is factory assembled for 84" installation height. If installation height varies, order ZG2 trim kit which provides optional side trim pieces. Cut custom, Lexan®, or stainless panel to sizes shown below.

Installation Height	Panel Height
83"	8"
83-1/2"	8-1/2"
84-1/2"	9-1/2"

Important: Maintain 1-1/2" minimum gap between top of doors and bottom of panel frame.



Specification Revised 2/00

For answers to your Monogram® GE Profile Performance Series™ GE Profile™ or GE appliance questions, call GE Answer Center® service, 800.626.2000.



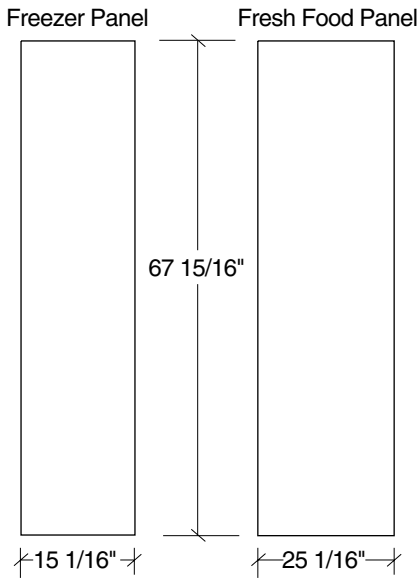


Monogram™

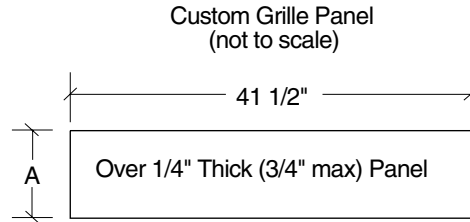
ZIS42NC - GE Monogram 42" Built-In Refrigerator with Automatic Icemaker and Water Filter

Dimensions and Specifications (in inches)

**Custom Door Panel Dimensions
When Using Trim Kit ZKT42
3/4" thick panel with standard handle
(not to scale)**



The ZKT42 trim kit provides for the installation of 3/4" custom door and grille panels, using the standard full-length handle. Order ZKHTSS1 for Tubular Stainless Steel handle kit. Cut panels to size and install.



Grille Panel Height can vary to fill installation height.

Installation Height	Dimension A
83"	8-1/4"
83-1/2"	8-3/4"
84"	9-1/4"
84-1/2"	9-3/4"

Important: Maintain 1-1/2" minimum gap between top of doors and bottom of grille panel.

For answers to your Monogram®
GE Profile Performance Series™,
GE Profile™ or GE appliance questions, call
GE Answer Center® service, 800.626.2000.





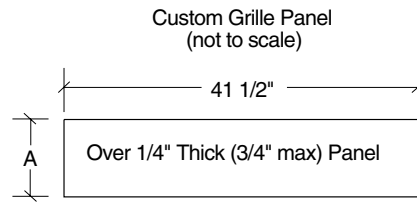
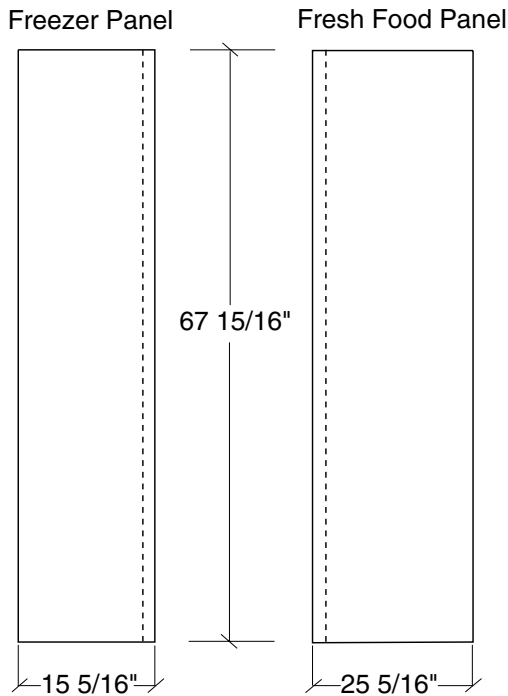
Monogram™

ZIS42NC - GE Monogram 42" Built-In Refrigerator with Automatic Icemaker and Water Filter

Dimensions and Specifications (in inches)

Custom Door Panel Dimensions
When Using Trim Kits ZKT42 and ZKHT1
3/4" thick panel with custom handle
(not to scale)

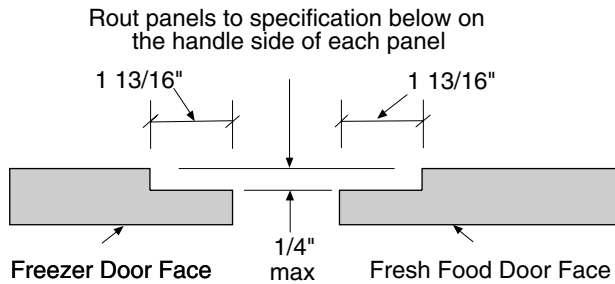
ZKT42 and ZKHT1 installed together provides for the installation of 3/4" custom door and grille panels, using a custom handle of your choice. Order ZKHTSS1 for tubular stainless steel handle kit. Cut panels to size, rout the handle side of the panels as shown below and install.



Grille Panel Height can vary to fill installation height.

Installation Height	Dimension A
83"	8-1/4"
83-1/2"	8-3/4"
84"	9-1/4"
84-1/2"	9-3/4"

Important: Maintain 1-1/2" minimum gap between top of doors and bottom of grille panel.



For answers to your Monogram®
GE Profile Performance Series™
GE Profile™ or GE appliance questions, call
GE Answer Center® service, 800.626.2000.





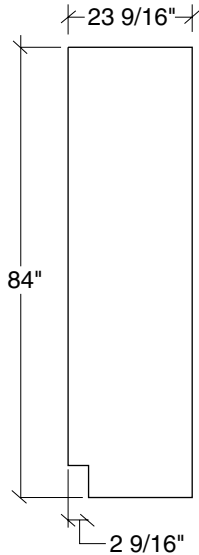
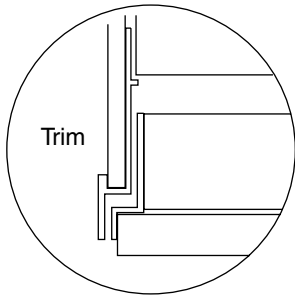
Monogram™

ZIS42NC - GE Monogram 42" Built-In Refrigerator with Automatic Icemaker and Water Filter

Dimensions and Specifications (in inches)

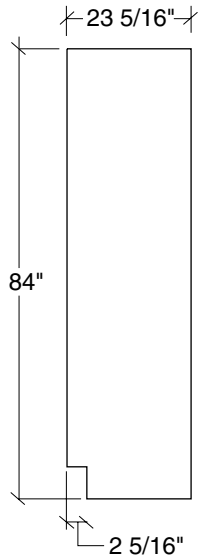
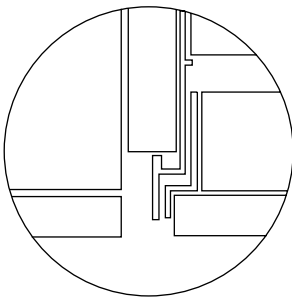
Side panels must be used whenever the sides of the refrigerator will be exposed.

1/4" Side Panels
Insert end of side panel into trim.



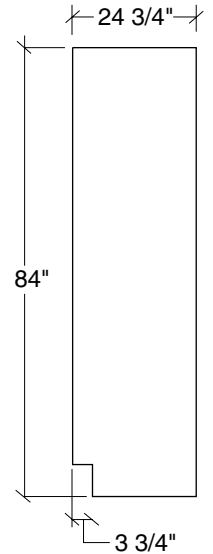
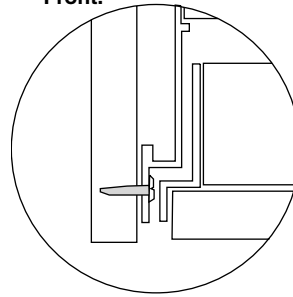
Standard 4" high toe-kick or trim to fit.
Height may vary depending on application.

1/2" to 3/4" Side Panels
Recessed front edge.



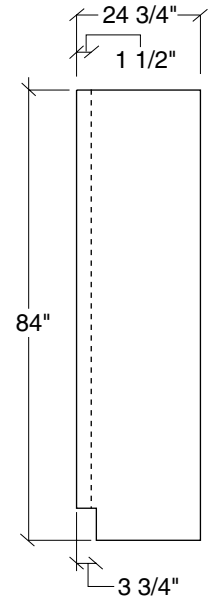
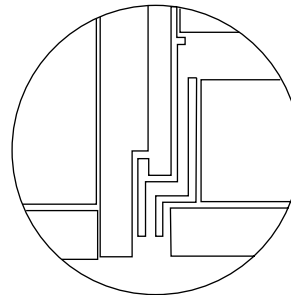
Standard 4" high toe-kick or trim to fit.
Height may vary depending on application.

1/4" to 3/4" Side Panels
Leading Edge
Flush with Cabinet
Front.



Standard 4" high toe-kick or trim to fit.
Height may vary depending on application.

1/4" to 3/4" Side Panels
Leading edge routed
1/4" deep, 1-1/2" top to
bottom.



Standard 4" high toe-kick or trim to fit.
Height may vary depending on application.

For answers to your Monogram®
GE Profile Performance Series™,
GE Profile™ or GE appliance questions, call
GE Answer Center® service, 800.626.2000.

*Not to scale.

Specification Revised 2/00

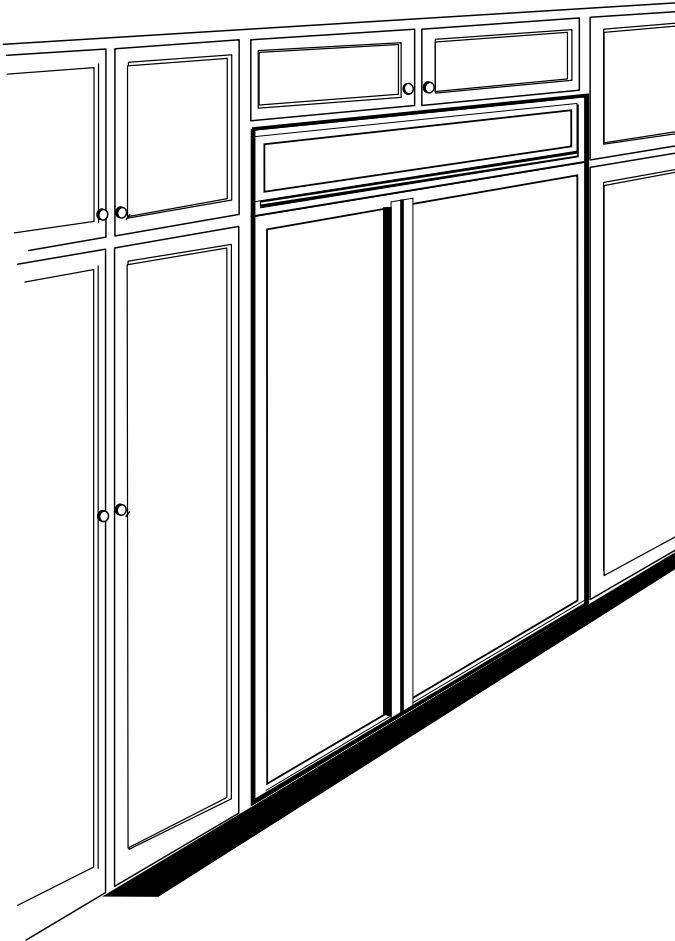


Listed by
Underwriters
Laboratories



Monogram™

ZIS42NC - GE Monogram 42" Built-In Refrigerator with Automatic Icemaker and Water Filter



Features and Benefits

- 25.8 cu ft Capacity (Fresh Food 16.4 cu ft / Freezer 9.4 cu ft)
- Automatic Icemaker with Removable Ice Storage Bin
- GE SmartWater™ Filtration System
- 2 Adjustable Humidity, Slide-Out Vegetable/ Fruit Pans
- Sealed Snack Pan
- 4 Adjustable Spill-Proof Glass Fresh Food Shelves
- Slide-Back Shelf
- 5 Adjustable Fresh Food Door Bins Provide Abundant Storage
- 2 Dairy Compartment
- Wine Holder
- Glass-Covered Butter Dish
- 4 Adjustable Wire Freezer Shelves
- 2 Utility Baskets
- 5 Adjustable Freezer Door Bins Provide Abundant Freezer Storage
- Full-Length Aluminum Door Handles
- Model ZIS42NC—Custom Panels Required