

INSTALLATION INSTRUCTIONS FOR FILLER PANEL KITS JX52AL, JX52BL, JX52CT, JX52WH

FOR 36" INSTALLATIONS:

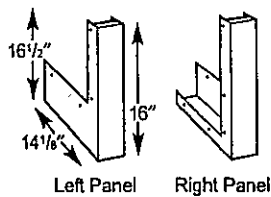
NOTE: For 36" installations you will require
1 Filler Panel Kit.

TOOL YOU WILL NEED

- Phillips screwdriver

PARTS INCLUDED

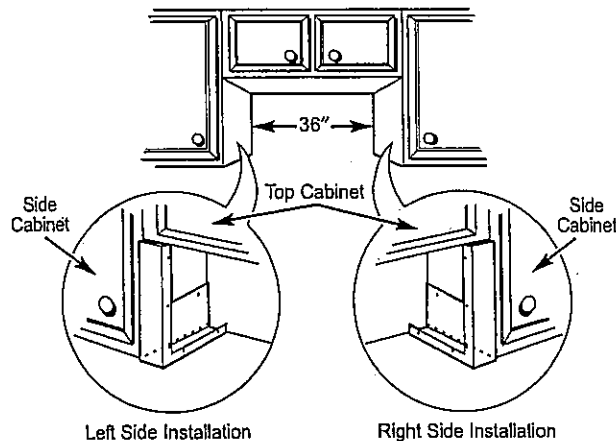
- 1 Left Filler Panel
- 1 Right Filler Panel
- 10 Phillips Head Screws



(8 are required for installation)

INSTRUCTIONS

1. Place the left panel against the side of the left side cabinet and push it up against the bottom of the top cabinet and back against the back wall. The panel will protrude out slightly from the front face of the cabinet so that it will line up with the case on the microwave oven when it is installed.
2. Mount the panel to the left side cabinet using 4 screws.
3. Repeat the above steps for the right panel on the right side cabinet.
4. The microwave oven can now be installed.



Part No. 245B1790P077
Pub. No. 49-40151

01-01 JR

Printed in the United States