

# GDF630PGM/PMM/PSM

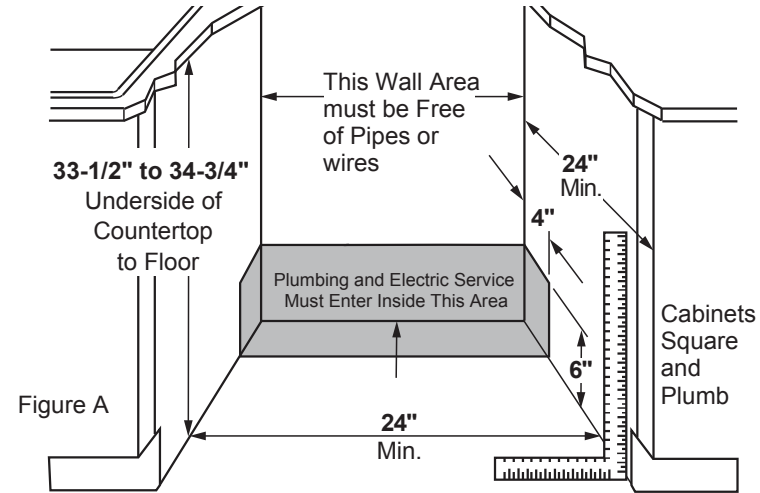
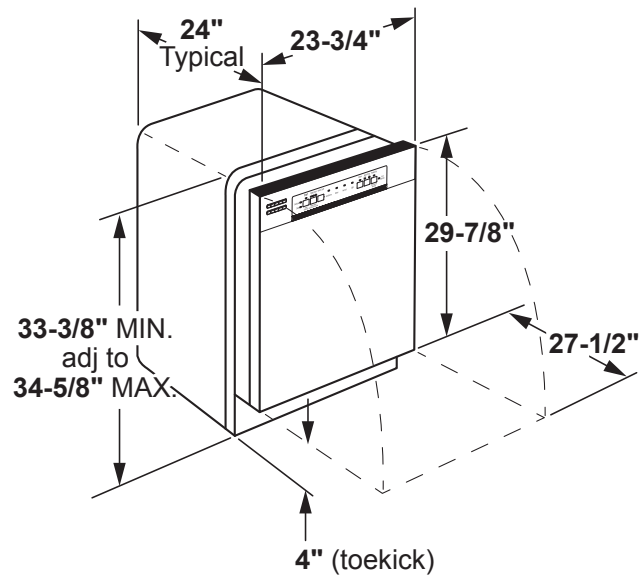
## GE® Dishwasher with Front Controls

### DIMENSIONS AND INSTALLATION INFORMATION (IN INCHES)

#### ELECTRICAL RATING

Voltage AC.....	120
Hertz.....	60
Total connected load amperage.....	7.1
Calrod® heater watts.....	800/500

For use on adequately wired 120-volt, 15-amp circuit having 2-wire service with a separate ground wire. This appliance must be grounded for safe operation.



For answers to your Monogram, GE Café™ Series, GE Profile™ Series or GE Appliances product questions, visit our website at [geappliances.com](http://geappliances.com) or call GE Answer Center® Service, 800.626.2000.



Certified to NSF  
Standard 184 for  
sanitization



Listed by  
Underwriters  
Laboratories



As an ENERGY STAR® partner, GE has determined that this product meets the ENERGY STAR guidelines for energy efficiency.

Specification Revised 4/20

# GDF630PGM/PMM/PSM

## GE® Dishwasher with Front Controls

### FEATURES AND BENEFITS

**3rd Rack** – Easily clean an entire flatware collection, knives and small utensils with an additional rack across the top of the dishwasher

**Dry Boost** – Gets hard-to-dry items up to 3 times dryer than standard dry cycles

**Active Flood Protect** – An internal sensor prevents the dishwasher from overflowing, so you have peace of mind with every cycle (Available June 2020)

**4 Bottle Wash Jets** – Clean hard-to-reach areas inside tall items with up to 4 dedicated jets integrated into the upper rack that shower water deep inside for the ultimate clean

**Wash Zones** – Wash a true half-load in either the upper or lower rack without sacrificing cycles and options available on a full wash

**Three-level 600 Series Wash System** – Get full wash coverage from three pressurized wash zones.

**Steam Sanitizing Wash** – A sanitize setting reduces 99.999% of bacteria found on dishes, and a steam setting loosens tough soils, so there's no need to pre-rinse dishes

**Dedicated Silverware Jets** – Get table-ready silverware thanks to powerful jets that focus on silverware baskets

**Piranha Hard Food Disposer** – To ensure consistently clean items, this stainless steel blade rotates at 3,600 RPM to pulverize food particles and helps to prevent large particles from clogging the wash arms

**Adjustable Upper Rack** – Fitting plates up to 10½" and other tall items in the upper rack is possible with an adjustment

**1 Hr Wash** – Enjoy a quality clean when you're short on time

dBA50

Model GDF630PSMSS – Stainless steel

Model GDF630PMMES – Slate

Model GDF630PGMBB – Black on Black

Model GDF630PGMWW – White on white

