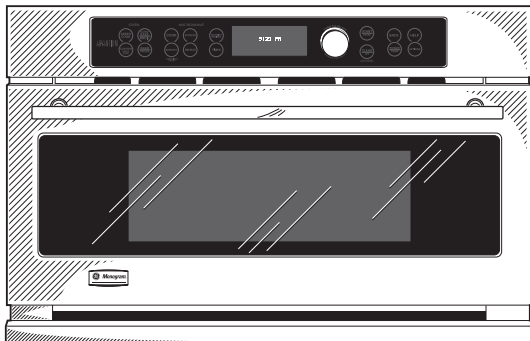


MONOGRAM® BUILT-IN OVEN WITH ADVANTIUM® SPEEDCOOK TECHNOLOGY- 240V ZSC2201N



INTEGRATED

SPEEDCOOK OVEN, TRUE EUROPEAN CONVECTION OVEN, SENSOR MICROWAVE OVEN AND WARMING OVEN

Provide multiple cooking options

AWARD-WINNING SPEEDCOOK TECHNOLOGY

Delivers oven-quality results up to eight times faster than conventional cooking methods with no preheating

INTEGRATED APPEARANCE

Makes a singular architectural impression with signature Monogram tubular handles

TRUE EUROPEAN CONVECTION MODE

Bakes, roasts and browns foods to perfection

MICROWAVE MODE

Provides a fully functioning sensor microwave that allows fast, precise reheating and defrosting

WARMING MODE

Keeps prepared dishes at ready-to-serve temperatures

OPTIONAL STORAGE DRAWER

Keeps extra trays within easy reach

REMOVABLE OVEN RACK

Allows for multi-level convection baking

LARGE OVEN INTERIOR

Easily accommodates roasts or casserole dishes on a 16" tray that holds a 9" x 13" pan

PREPROGRAMMED RECIPES

Provide quick and easy programming of over 175 pre-set food selections and allows programming of up to 30 custom recipes

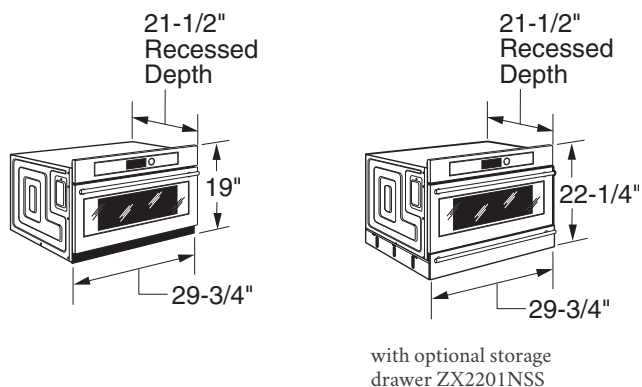
PROOFING MODE

Allows dough to rise quickly and efficiently

GLASS TOUCH CONTROLS

Feature a smooth glass design that is easy to operate and easy to clean

DIMENSIONS AND INSTALLATION INFORMATION (IN INCHES)



ELECTRICAL REQUIREMENTS

KW RATING	
208/240V	26.3/22.7
BREAKER SIZE	
208/240V	30 Amps

HELPFUL TIPS

INSTALLATION REQUIREMENTS

- These ovens must be installed directly into a wall or wall oven cabinetry, 30" minimum width.
- This oven can be installed over any Monogram single electric built-in oven or a single Monogram warming drawer.
- This oven must be installed at least 36-3/4" above the floor.

IMPORTANT: This oven is not approved for use above another built-in Advantium oven, side by side or under the countertop installations.

SINGLE SPEEDCOOK INSTALLATION

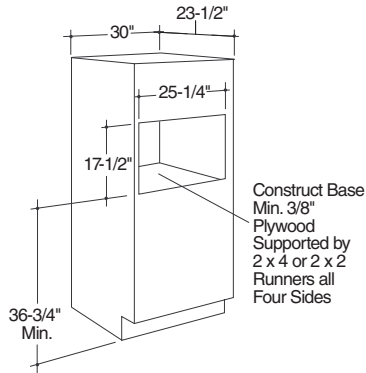
Product rating is 120/208 or 120/240 volt, 60 Hz, 30 amps. This product must be connected to a supply circuit of the proper voltage and frequency and protected by a time delay fuse or circuit breaker. The power supply should be brought to a separate 30 ampere branch circuit. Wire size must conform to the requirements of the National Electric Code or the prevailing local code.

COMBINED SPEEDCOOK AND WALL OVEN INSTALLATION:

When installed in combination with a Monogram single wall oven, use separate electrical junction boxes,

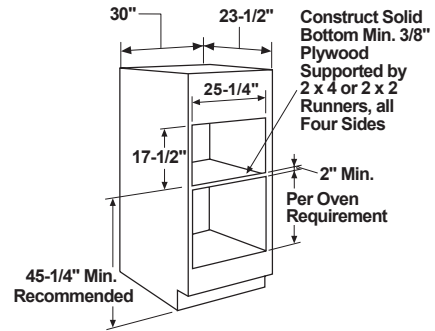
- Refer to single oven installation instructions for electrical requirements of that product.
- These connections must be made by a qualified electrician. All electrical connections must meet National Electrical code or prevailing local codes.

SINGLE ADVANTIUM 240V INSTALLATION



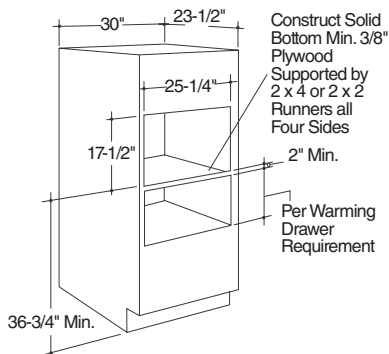
- Maintain 36-3/4" minimum height from the floor to the cutout in any single or combined installation.
- Allow the following clearances around the cutout on the front surface of the cabinet: 5/8" from the top, 2-3/8" from the side edges, and 1-1/8" from the bottom. (Note: these refer to minimum clearances required for installation and do not reflect actual product dimensions.)

INSTALLATION OVER A MONOGRAM OVEN



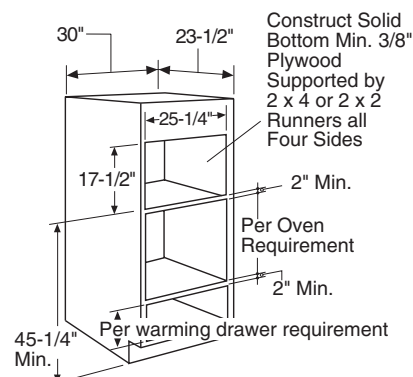
Additional clearances between the cutouts may be required. See oven installation instructions for details.

INSTALLATION OVER A MONOGRAM WARMING DRAWER



Additional clearances between the cutouts may be required. Check to be sure the oven supports above the warming drawer do not obstruct the required interior depth and height. See warming drawer installation instructions for details.

INSTALLATION OVER A MONOGRAM OVEN AND WARMING DRAWER

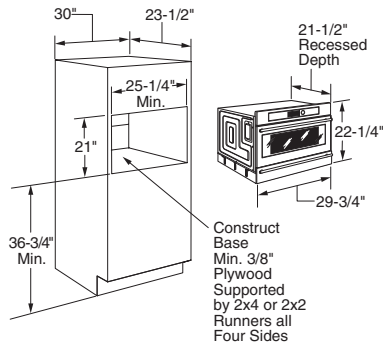


Additional clearances between the cutouts may be required. See warming drawer and oven installation instructions for details.

IMPORTANT: THESE INSTALLATION CUTOUTS DO NOT INCLUDE THE ACCESSORY DRAWER.

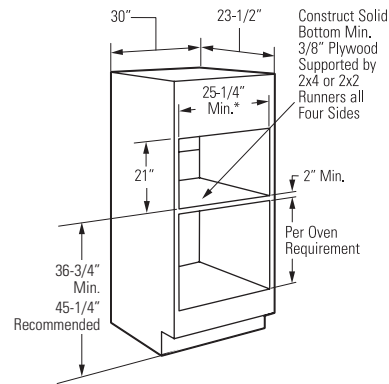
MONOGRAM BUILT-IN ADVANTIUM OVEN AND ACCESSORY DRAWER

ZSC2201NSS ADVANTIUM INSTALLATION WITH ACCESSORY DRAWER



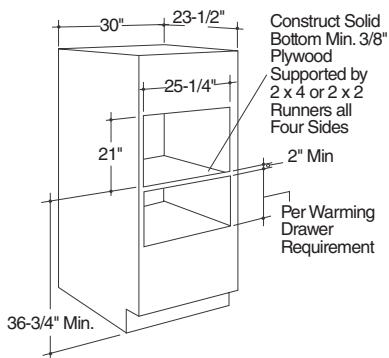
- Maintain 36-3/4" minimum height from the floor to the cutout in any single or combined installation.
- Allow the following clearances around the cutout on the front surface of the cabinet: 5/8" from the top, 2-3/8" from the side edges, and 3/4" from the bottom. (Note: these refer to minimum clearances required for installation and do not reflect actual product dimensions.)

ZSC2201NSS ADVANTIUM AND ACCESSORY DRAWER INSTALLED OVER A MONOGRAM OVEN



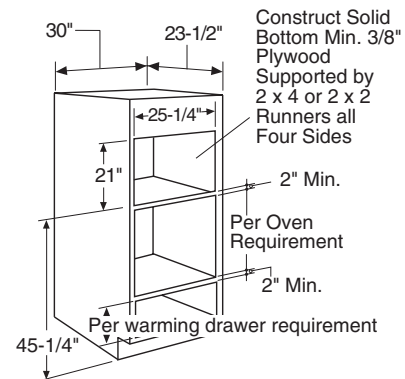
Additional clearances between the cutouts may be required. See oven installation instructions for details.

ZSC2201NSS ADVANTIUM AND ACCESSORY DRAWER INSTALLED OVER A MONOGRAM WARMING DRAWER



Additional clearances between the cutouts may be required. Check to be sure the oven supports above the warming drawer do not obstruct the required interior depth and height. See warming drawer installation instructions for details.

ZSC2201NSS ADVANTIUM AND ACCESSORY DRAWER INSTALLED OVER A MONOGRAM OVEN AND WARMING DRAWER



Additional clearances between the cutouts may be required. See warming drawer and oven installation instructions for details.

IMPORTANT: THESE INSTALLATION CUTOUTS INCLUDE THE ZX2201NSS ACCESSORY DRAWER.