

GTWP2000M/GTWP2005M GE® 3.3 DOE cu. ft. capacity ExtrAction™ basket

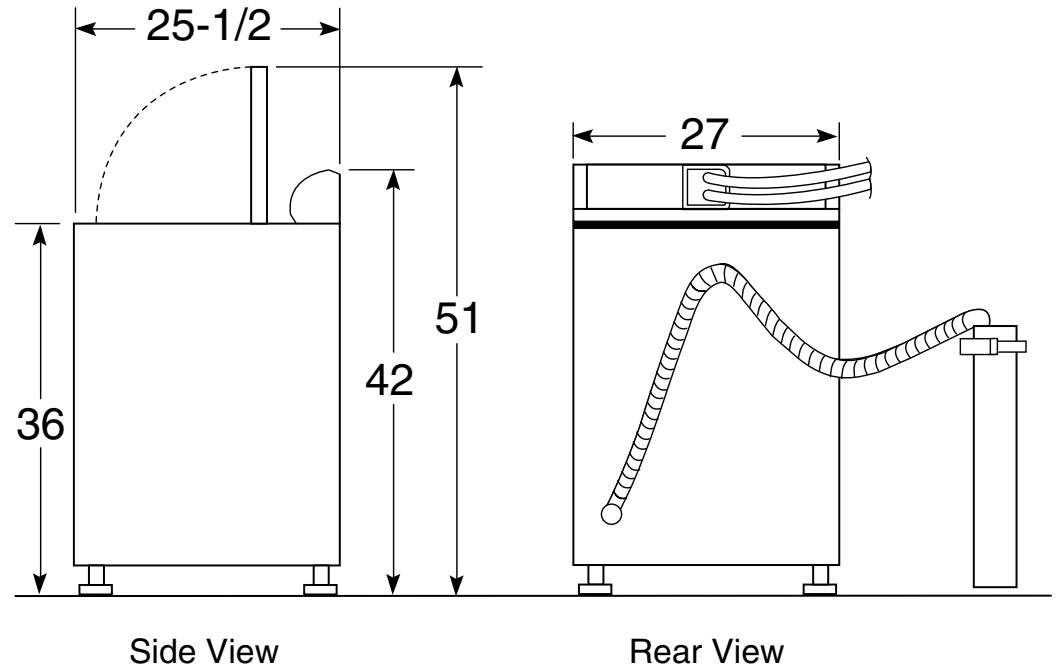
Dimensions and Installation Information (in inches)

Circuit Requirements: An individual, properly-grounded branch circuit, with a three-prong grounding-type receptacle, protected by a 15 or 20 amp circuit breaker or a time-delay fuse, is required.

Electrical Rating: 115V, 60Hz, 10A

Note: Washer wall outlet must be located within 36" of service code entry. Wall outlet must not be located behind dryer.

Installation Information: Before installing, consult installation instructions packed with product for current dimensional data.



For answers to your Monogram®, GE Profile™ or GE® appliance questions, visit our website at geappliances.com or call GE Answer Center® service, 800.626.2000.

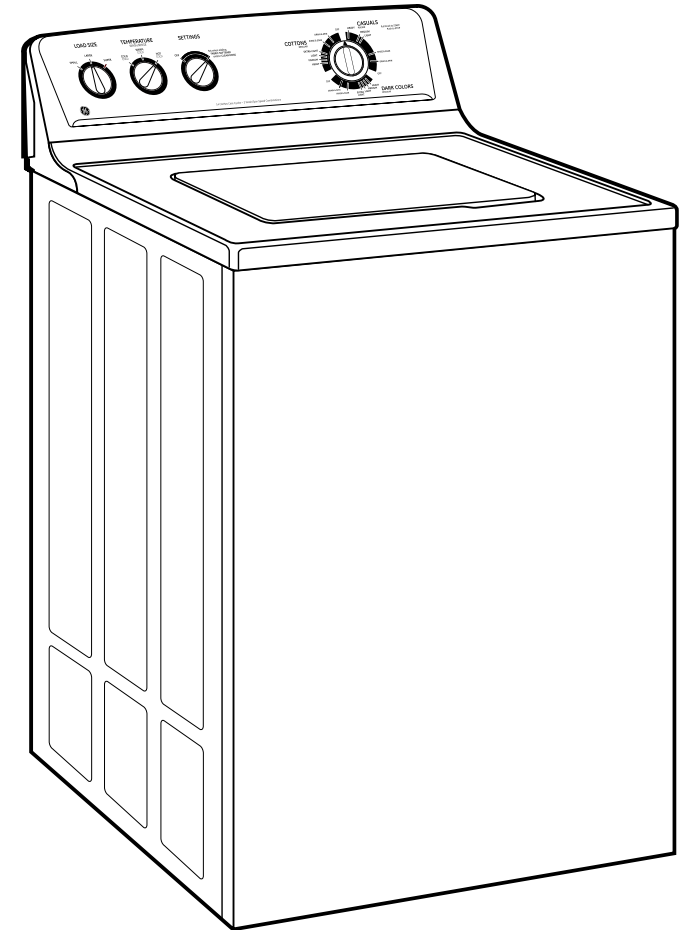


GTWP2000M/GTWP2005M

GE® 3.3 DOE cu. ft. capacity ExtrAction™ basket

Features and Benefits

- GentlePower™ agitator - Enjoy advanced cleaning results while reducing normal wear and tear
- Rotary electromechanical controls - Easy-to-use controls make it simple to set cycles
- 2 wash/spin speed combinations - Speeds are matched to fabric type for great clothes care
- 14 wash cycles - Multiple cycles are designed to specifically handle various fabrics and soils
- Bleach and fabric softener dispensers - Solutions are automatically mixed with wash water for bright, soft-to-the-touch results
- 3 water levels - Allows user to match the water level to each load of wash
- 3 Wash / Rinse Temperatures - Allow you to select the right temperature for better wash results and longer fabric life
- 630 RPM spin speed - Fast speeds remove more water during the spin cycle to minimize drying time
- Model GTWP2000MWW - White on white
- Model GTWP2005MCC - Bisque on bisque



imagination at work