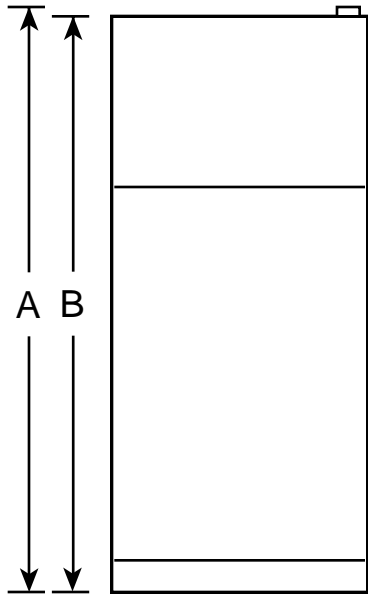


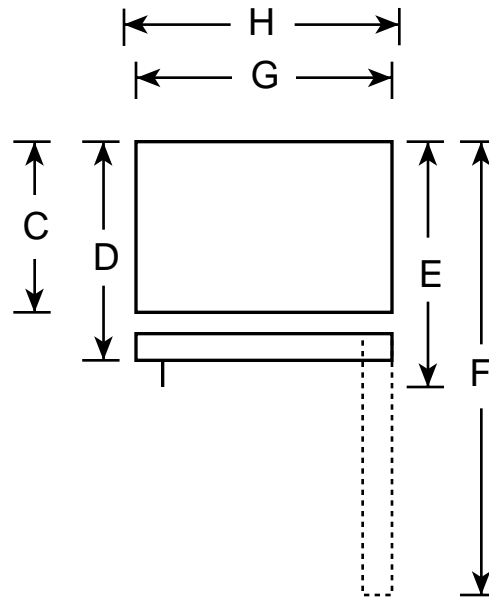
HOTPOINT®

HTS18IBP – Hotpoint 17.9 Cu. Ft. Top-Freezer Refrigerator

Front View



Top View



Overall Dimensions	Height to top of hinge (in.) A	66-5/8
	Height to top of case (in.) B	66-1/8
	Height to mid-freezer (in.)	57
	Case depth without door (in.) C	27-1/2
	Case depth less door handle (in.) D	30-1/4
	Case depth with door handle (in.) E	32-1/8
	Depth with fresh food door open 90° (in.) F	58-1/8
	Width (in.) G	29-1/2
	Width with door open 90° with door handle (in.) H	32
Air Clearances	Each side (in.)	1/8
	Top (in.)	1
	Back (in.)	1

Note: Before installing, consult installation instructions packed with product for current dimensional data.

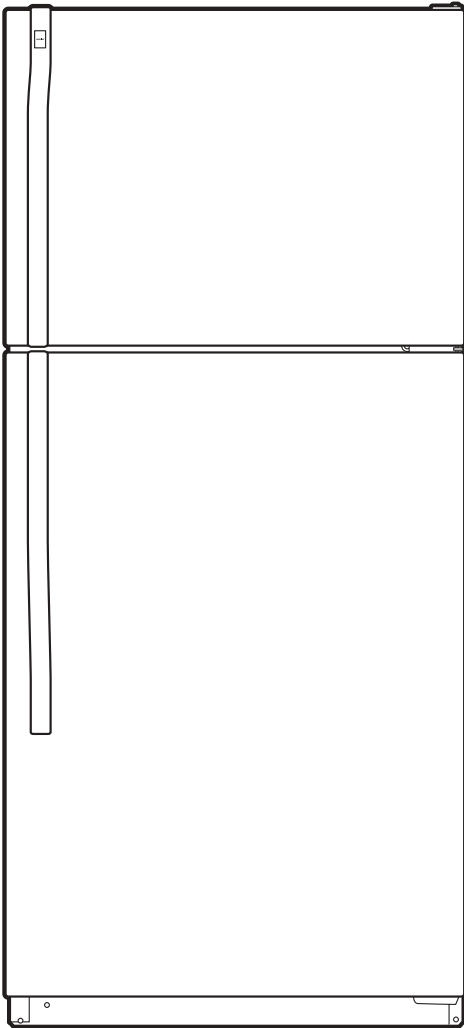
Note: All Top-Freezer No-Frost Right-Hand Refrigerator Doors: As you face the front of the refrigerator, the handle is on your left and the hinges are on your right.

All Top-Freezer No-Frost Left-Hand Refrigerator Doors: As you face the front of the refrigerator, the handle is on your right and the hinges are on your left.





HTS18IBP – Hotpoint 17.9 Cu. Ft. Top-Freezer Refrigerator



Features and Benefits

- Illuminated Upfront Slimline Temperature Controls – Offer maximum style and convenience
- Adjustable Glass Shelves – Lets consumers maximize usable storage space
- Vegetable/Fruit Crispers – Provide easy storage for your fruits and vegetables
- Gallon Door Storage – Makes room for milk and any other gallon size containers
- Contoured Doors – Create a high-fashion look with gently rounded doors and edges
- Deluxe Quiet Design – Significantly reduces operating noise
- NeverClean™ Condenser – Condenser coils are encased, so they don't require cleaning in normal operating environments
- Model HTS18IBPWW – White on white
- Model HTS18IBPCC – Bisque on bisque