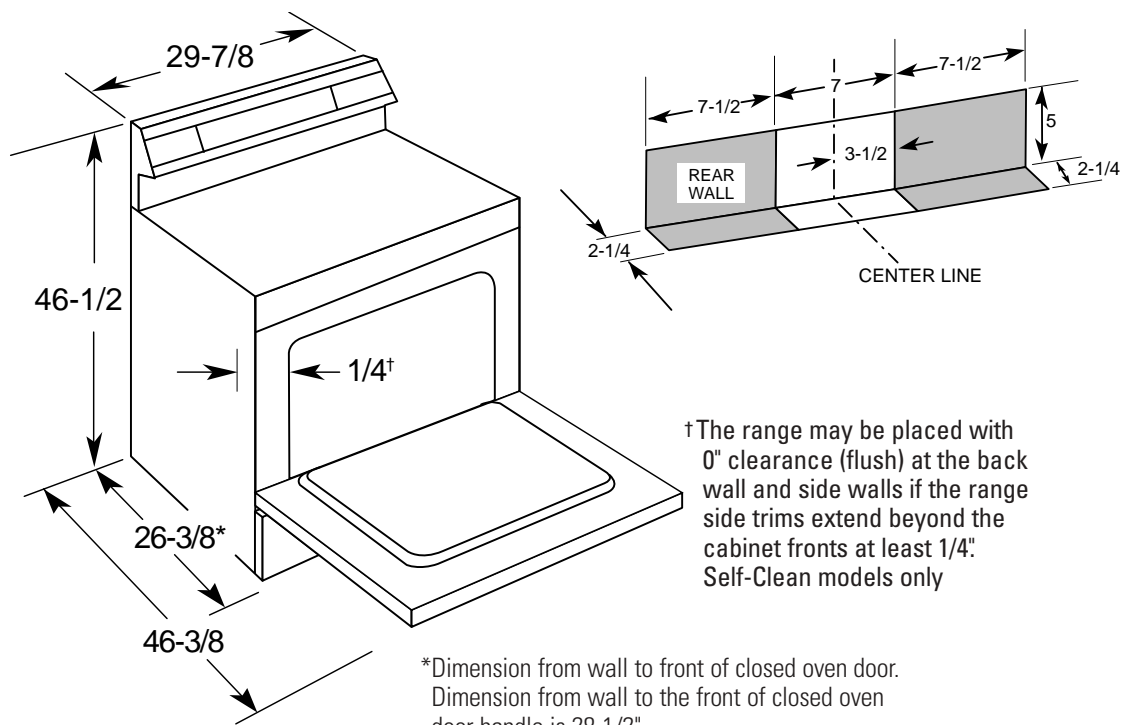


HOTPOINT®

RB525H – Hotpoint 30" Free-Standing Electric Range

Dimensions (in inches)



KW Rating	
240V	10.1
208V	8.0
Breaker Size	
40 Amps†	

Note: Check local codes for required breaker size.

Note: 30" Electric Ranges conform to U.L. requirements for 0" spacing from walls below countertops. Allow 1-1/2" spacing from the side of the range to adjacent vertical walls above the cooktop surface.

Receptacle Locations: Locally approved flexible service cord or conduit must be used because terminals are not accessible after range installation. See shaded area in drawing for location of electrical outlet box. Recommended outlet locations allow range to be installed directly against rear wall.

Installation Information: Before installing, consult installation instructions packed with product for current dimensional data.



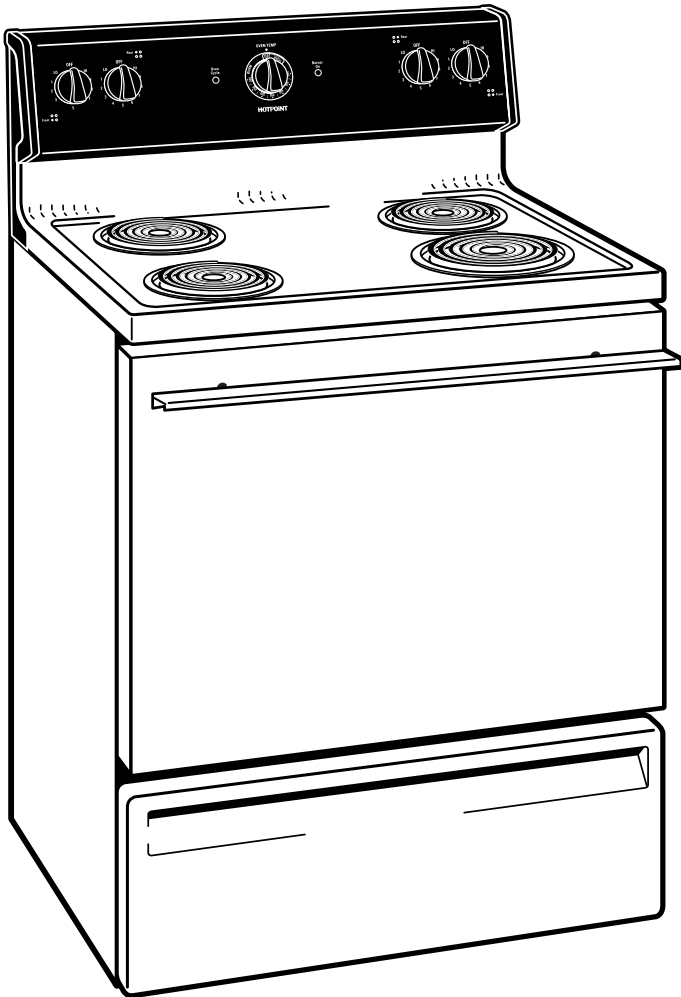
All Hotpoint ranges are equipped with an Anti-Tip device. The installation of this device is an important, required step in the installation of the range.



Listed by
Underwriters
Laboratories

HOTPOINT®

RB525H – Hotpoint 30" Free-Standing Electric Range



Features and Benefits

- Super-Large Oven Capacity – Provides an impressively large oven interior for cooking more dishes and large meals at one time.
- Coil Heating Elements – Provide consistent and even heat on the cooktop with a plug-in element that is removable for easy cleaning.
- Porcelain Upswept Cooktop – Features raised edges to help contain spills and make clean-up easy.
- Chrome Drip Bowls – Contain minor spills and are removable for easy cleaning.
- Two Oven Racks – Feature a durable construction to help accommodate any size or type of cookware.
- Removable Full Width Storage Drawer – This convenient drawer can be used for storing cookware or kitchen accessories.
- Broiler Pan With Grid – Convenient broiler pan can be used when broiling for crisping and browning.
- Model RB525HWH – White (white door and black control panel)
- Model RB525HCT – Bisque (bisque door and black control panel)