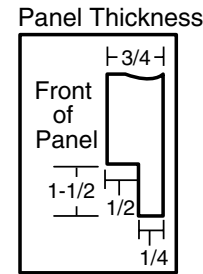
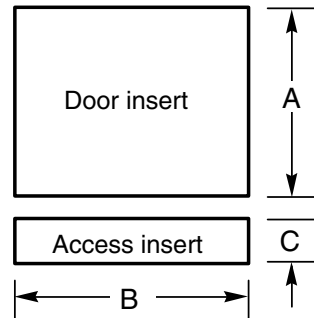
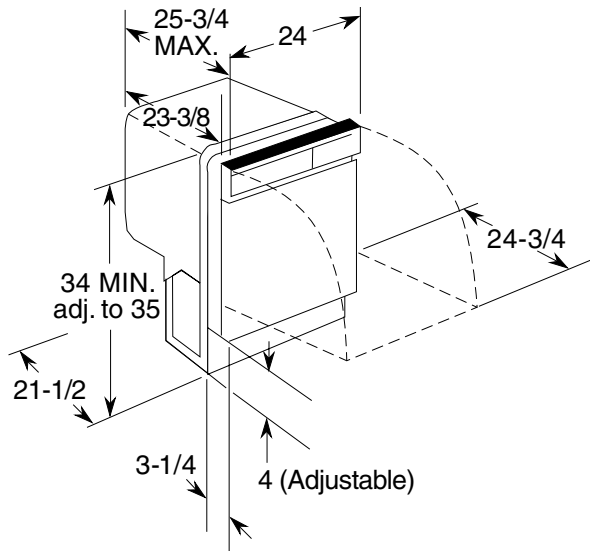


HOTPOINT®

HDA3600/3640N – Hotpoint Built-In Dishwasher

Dishwasher Dimensions (in inches)

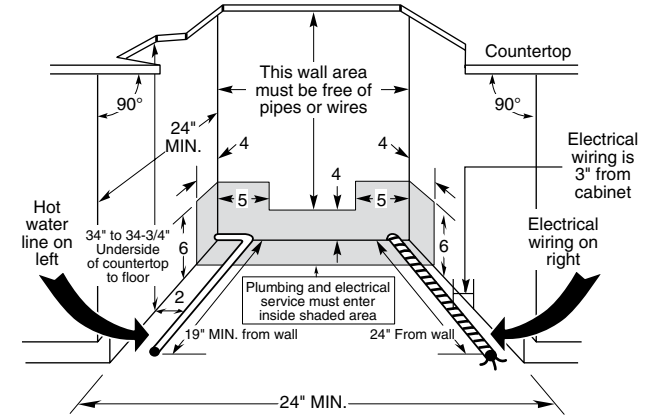


When using GPF325
1/4" custom dishwasher
door and access panel kit.

When using GPF375
3/4" custom dishwasher
door and access panel kit.

Kit	A	B	C	Panel Thickness
GPF325	18-7/8"	23-9/16"	3-11/16"	1/4"
GPF375	18-15/16"	23-5/8"	4-1/4" to 3-3/4"	3/4"

* Bottom of panel must be notched 1-1/2" x 1/2" to clear across panel
 ** Adjustment required to match adjacent cabinet fronts due to leveling leg adjustment, 4" nominal



Note: Dishwasher must not be installed more than 10 feet from sink for proper drainage. All plumbing and electrical work must be in accordance with local codes. Dishwasher includes drain hose and leveling legs.

Installation Information: Before installing, consult installation instructions packed with product for current dimensional data.

Electrical Rating

Voltage AC.....	120
Hertz.....	60
Total connected load amperage.....	8.6
Calrod® heater watts max.....	500

For use on adequately wired 120-volt, 15-amp circuit having 2-wire service with a separate ground wire. This appliance must be grounded for safe operation.



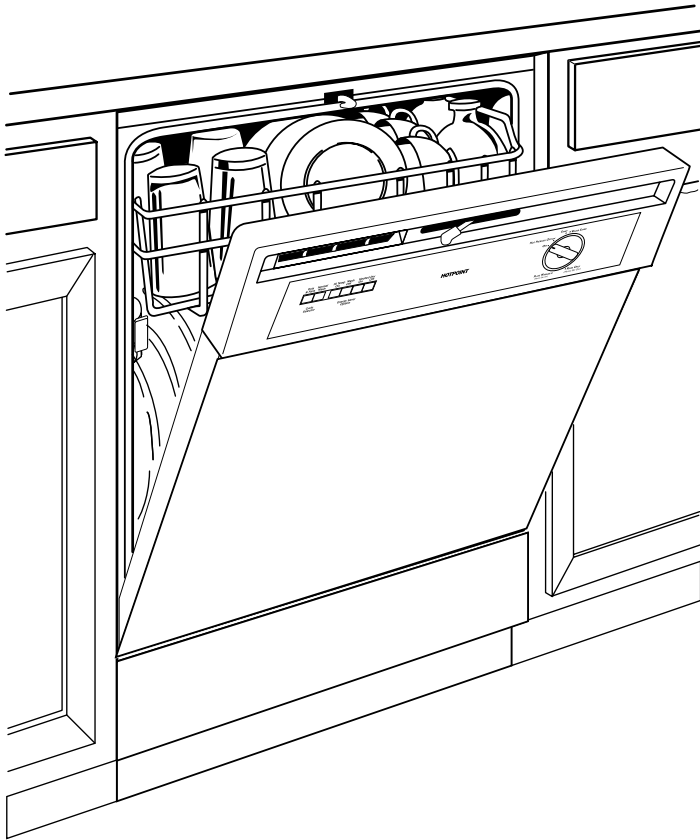
As an ENERGY STAR® partner, GE has determined that this product meets the ENERGY STAR guidelines for energy efficiency.



Listed by Underwriters Laboratories

HOTPOINT®

HDA3600/3640N – Hotpoint Built-In Dishwasher



Features and Benefits

- 5-level PowerScrub™ wash system with PowerShower - 5 wash levels and redesigned wash arms direct water precisely for a quiet and efficient clean.
- 100% water filtration with ExtraFine™ filter - Clean water helps deliver clean dishes.
- Hot PreWash Option - Preheats water before the main wash cycle for excellent performance time after time
- QuietPower™ motor - Runs quietly and efficiently to keep the kitchen peaceful and quiet
- Push-button controls - Operate with ease
- Pots and Pans Cycle - Scours off baked-on food with a wall of water
- Piranha™ Hard Food Disposer - Grinds leftover food into small particles that are easily washed away
- Model HDA3600NWW – White on white
- Model HDA3600NBB – Black on black
- Model HDA3600NCC – Bisque on bisque
- Model HDA3640NSA – Silver metallic