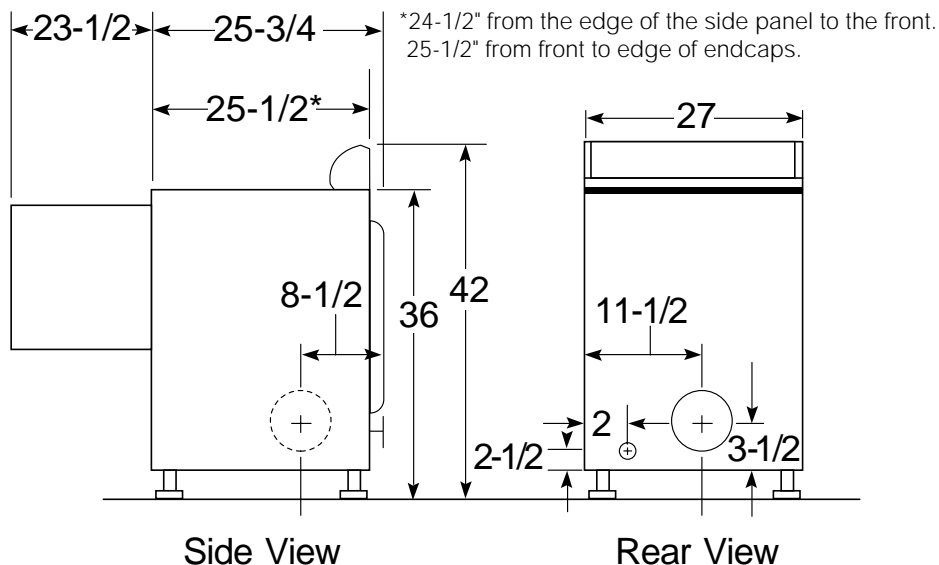


# HOTPOINT

## NJSR453EWAA - GE Hotpoint 7.0 Cu. Ft. Super Capacity Electric Dryer

### Dryer Dimensions (in inches)



### Exhaust Options:

4-way via rear, right, left and bottom.

### Circuit Requirements:

An individual, properly-grounded branch circuit, protected by a 30-amp circuit breaker or a time-delay fuse, is required.

### Electric Dryer Rating:

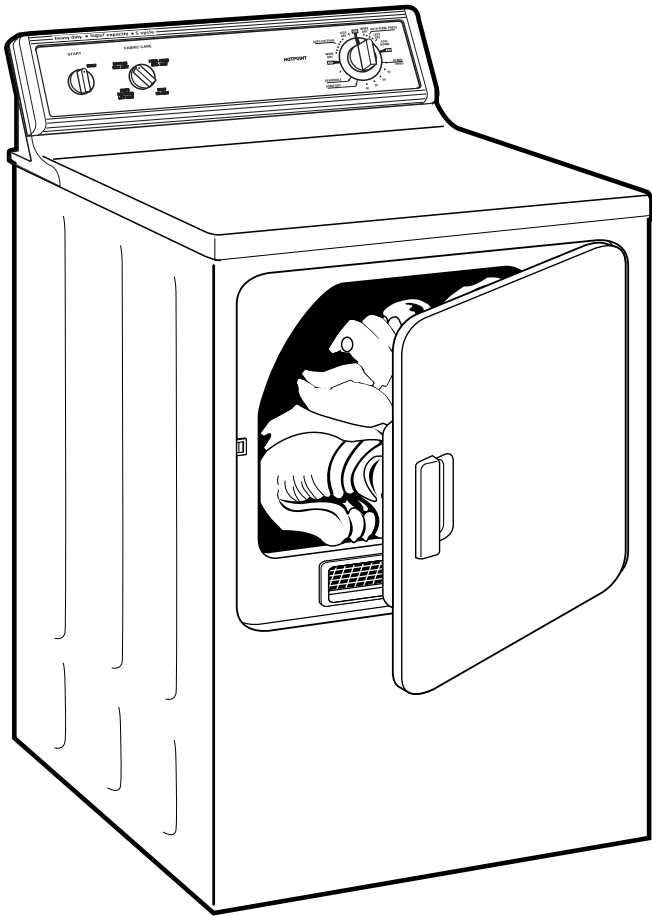
208/240V, 3-wire, 5600W, 60Hz, 30 Amp

**Installation Information:** For complete information, see installation instructions packed with product for current dimensional data.

	Best Performance				
	Maximum Length of 4" Dia. Rigid Metal Duct		Maximum Length of 4" Dia. Flexible Metal Duct		
	Exhaust Hood Type		Exhaust Hood Type		
Number of 90° Turns	Cat. No. WX8X59 (Preferred) A 4" Opening	B 2-1/2" Opening	Cat. No. WX8X59 (Preferred) A 4" Opening	B 2-1/2" Opening	
Domestic Dryer Models	0	90 ft.	60 ft.	55 ft.	45 ft.
	1	60 ft.	45 ft.	40 ft.	30 ft.
Super & Extra-Large Capacity Models	2	45 ft.	35 ft.	30 ft.	20 ft.
	3	35 ft.	25 ft.	20 ft.	15 ft.
All Electric Dryers	4	25 ft.	15 ft.	15 ft.	10 ft.
	0	45 ft.	30 ft.	30 ft.	15 ft.
Super & Extra-Large Capacity Models	1	35 ft.	20 ft.	20 ft.	10 ft.
	2	25 ft.	10 ft.	10 ft.	—
All Gas Dryers	3	15 ft.	—	—	—
	0	60 ft.	48 ft.	30 ft.	18 ft.
Large Capacity Electric and Gas Dryers	1	52 ft.	40 ft.	22 ft.	14 ft.
	2	44 ft.	32 ft.	14 ft.	10 ft.
	3	32 ft.	24 ft.	—	— ft.
	4	28 ft.	16 ft.	—	— ft.

# HOTPOINT

## NJSR453EWAA - GE Hotpoint 7.0 Cu. Ft. Super Capacity Electric Dryer



### Features and Benefits

- 7.0 Cu. Ft. Capacity
- Automatic Dry Control
- 5 Cycles: Cottons, Permanent Press, 80 Minute Timed Dry, Damp Dry and De-Wrinkle
- 4 Heat Selections
- Dryer Interior Light
- Model NJSR453EWWW - White on white
- Model NJSR453EWAA - Almond on almond
- Model NJSR453GWWW - White on white
- Model NJSR453GWAA - Almond on almond