

# Installation Instructions

## 30" Sealed Gas Cooktop

JGP336, JGP930, JGP326

**Questions? Call GE Answer Center at 800.626.2000** or visit our Website at: [www.geappliances.com](http://www.geappliances.com)

### In the Commonwealth of Massachusetts:

- This product must be installed by a licensed plumber or gas fitter.
- When using ball-type gas shut-off valves, they shall be the T-handle type.
- A flexible gas connector, when used, must not exceed 3 feet.

**CAUTION:** Before you begin, read these instructions completely and carefully.

- **IMPORTANT**—Save these instructions for local inspector's use.
- **IMPORTANT**—OBSERVE ALL GOVERNING CODES AND ORDINANCES.
- **Note to Installer**—Be sure to leave these instructions with the Consumer.
- **Note to Consumer**—Keep these instructions for future reference.
- **Note**—This appliance must be properly grounded.
- **IMPORTANT:** Leak testing of the appliance shall be conducted according to the manufacturer's instructions.

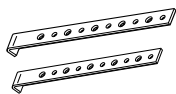
### PARTS INCLUDED



2 screws

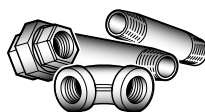


Foam Tape



2 Hold Down Brackets

### MATERIALS NEEDED



Pipe Fittings



Pipe Sealant



Shut Off Valve

### TOOLS YOU WILL NEED



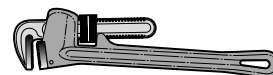
1/8" Drill Bit & Electric or Hand Drill



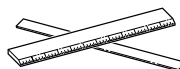
Phillips Head Screwdriver



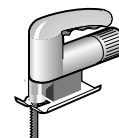
Pencil



Pipe Wrench



Ruler or Straightedge



Saber Saw

# Installation Instructions

## IMPORTANT SAFETY INSTRUCTIONS

### FOR YOUR SAFETY



#### WARNING!!

If the information in this manual is not followed exactly, a fire, explosion or gas leak may result, causing property damage, personal injury or death.

Do not store or use gasoline or other flammable vapors and liquids in the vicinity of this or any other appliance!



#### WHAT TO DO IF YOU SMELL GAS:

- Do not try to light any appliance. Do not touch any electrical switch; do not use any phone in your building.
- Immediately call your gas supplier from a neighbor's phone. Follow the gas supplier's instructions.
- If you cannot reach your gas supplier, call the fire department.

Installation and service must be performed by a qualified installer, service agency or the gas supplier.

This cooktop has been design certified by CSA International. You'll find safety precautions in your Owner's Manual. Read them carefully.

- Installation of this cooktop must conform with local codes or in the absence of local codes with the National Fuel Gas Code, ANSI Z223. 1-Latest edition.
- Be sure your cooktop is installed properly by a qualified installer or service technician.
- To eliminate reaching over surface burners, cabinet storage above burner should be avoided.
- Do not install the unit near an outside door or where a draft may affect its use.

### ELECTRICAL REQUIREMENTS

This appliance must be electrically grounded. Check with your local codes which apply in your area. If no local codes apply, the National Electrical Code, ANSI/NFPA No. 70-Latest Edition must be followed. Write to:

National Fire Protection Association  
Batterymarch Park  
Quincy, MA 02269

Be sure the installation of this cooktop in a mobile home conforms with the Manufactured Home Construction and Safety Standard, Title 24 CFR, Part 3280. If this standard does not apply, you must follow the standard for Manufactured Home Installations, ANSI A225.1 and Manufactured Home Installations, Sites and Communities and ANSI/NFPA 501A or with local codes. You can get a copy of the Federal Standard by Writing:

Office of Mobile Home Standards  
HUD Building  
451 7th Street, S.W.  
Washington, D.C. 24010

# Installation Instructions



## Pre-Installation Checklist



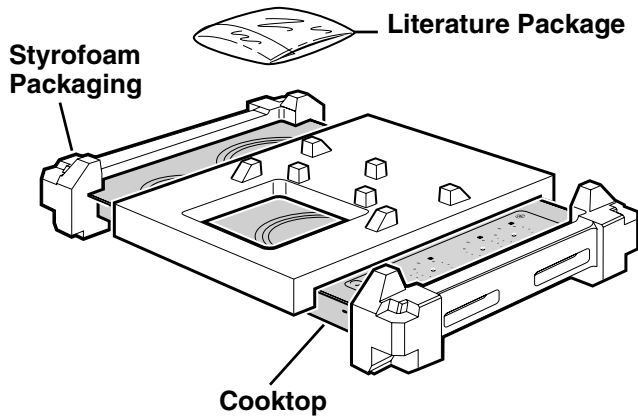
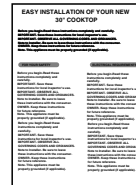
When preparing cooktop opening, make sure the inside of the cabinet and the cooktop do not interfere with each other. (See section on preparing the opening.)



Remove packaging materials and literature package from the cooktop before beginning installation.



Remove Installation Instructions from literature pack and read them carefully before you begin. Be sure to place all literature, Owner's Manual, Installations, etc. in a safe place for future reference.



Make sure you have all the tools and materials you need before starting the installation of the cooktop.



Your home must provide the adequate electrical service needed to safely and properly use your cooktop. (Refer to section on electrical requirements.)



When installing your cooktop in your home, make sure all local codes and ordinances are followed exactly as stated.

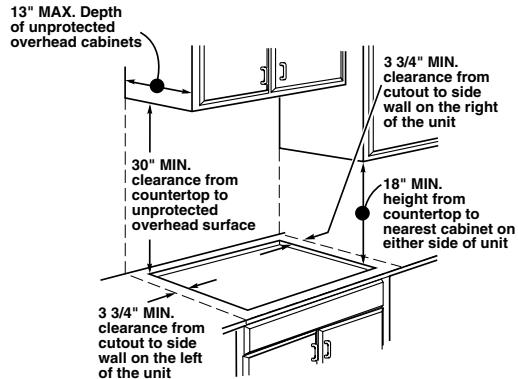


Make sure the wall coverings, countertop and cabinets around the cooktop can withstand heat (up to 200°F) generated by the cooktop.

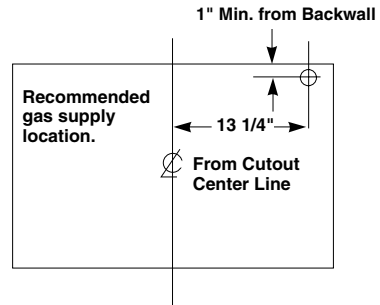
# Installation Instructions

## A PREPARING THE OPENING

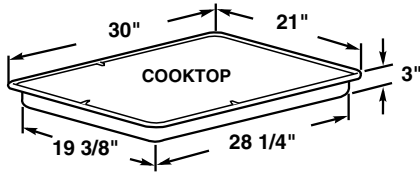
**A1** The following MINIMUM clearance dimensions must be maintained.



**A4** The recommended Gas Supply Location from the backwall.

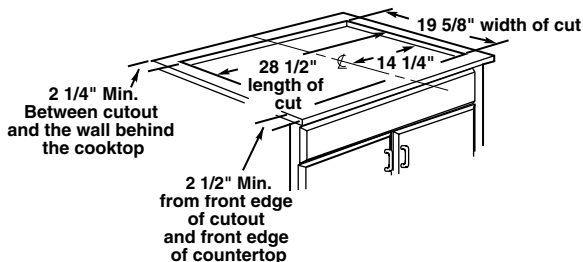


**A2** Overall cooktop dimensions

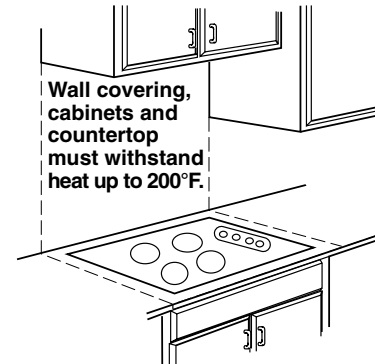


**A3** Cutout dimensions of the countertop

To insure accuracy, it is best to make a template when cutting the opening in the counter.



**A5** Make sure the wall coverings, countertop and cabinets around the cooktop can withstand heat (up to 200°F) generated by cooktop.

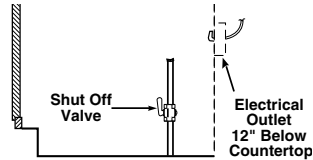


# Installation Instructions

## B Installing the Cooktop Unit

### B1 Locate the electrical outlet and the Gas Shut Off valve beneath the cabinet.

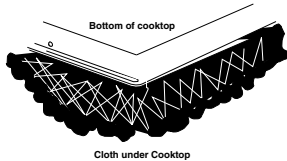
**NEVER REUSE OLD CONNECTORS WHEN INSTALLING THIS UNIT.**



Install a manual shutoff valve in the gas line in an easily accessible location outside the cooktop. Be sure you know how and where to shut off the gas supply to the cooktop. Install the electrical outlet 12" below the countertop.

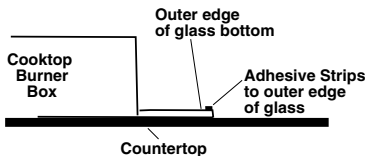
### B2 Protect the Surface of the Cooktop

Place a towel or tablecloth onto the countertop. Lay the cooktop upside down onto the protected surface.



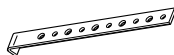
### B3 Attach the Adhesive Strip (Glass Top Models Only)

Attach the adhesive strip around the maintop glass as close to the edge as possible.



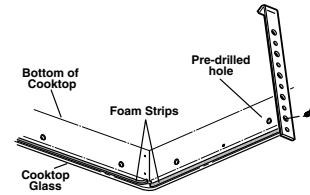
### B4 Locate the Mounting Parts

Remove the hold down brackets from the literature package.



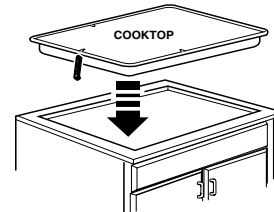
### B5 Attach Brackets to Cooktop

Remove the screw from the side of the cooktop, and screw the hold down bracket to the side of the cooktop unit. Repeat for opposite side of cooktop.



### B6 Insert Cooktop Into Cutout

Insert the cooktop centered into the cutout opening. Make sure the front edge of the countertop is parallel to the cooktop. Make final check that all required clearances are met.



Once the unit is in place, screw the hold down bracket into the cabinet sides to secure the unit into place.

# Installation Instructions

## C Installing the Cooktop

### C1 Provide Adequate Gas Supply

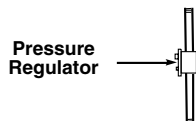
This cooktop is designed to operate on natural gas at 4" of water column pressure. It is shipped from the factory set for natural gas. The convertible pressure regulator supplied with the unit must be connected in series with the manifold of the cooktop, and must remain in series with the supply line regardless of whether natural or L.P. gas is being used. FOR PROPER OPERATION, THE MAXIMUM INLET PRESSURE TO THE REGULATOR MUST BE NO MORE THAN 14" OF WATER COLUMN PRESSURE. For checking the regulator, the inlet pressure must be at least 1" (or 3.4 KPA) greater than the regulator output setting. If the regulator is set for 4" of water column pressure, the inlet pressure must be at least 5". If the regulator is set for 10", the inlet pressure must be at least 11". The gas supply line to the cooktop should be 1/2" or 3/4" pipe.

### C2 Installing the Regulator

**NEVER REUSE OLD CONNECTORS WHEN INSTALLING THIS COOKTOP.**

**WARNING: Never reuse old flexible connectors. The use of old flexible connectors can cause gas leaks and personal injury. Always use new flexible connectors when installing a gas appliance.**

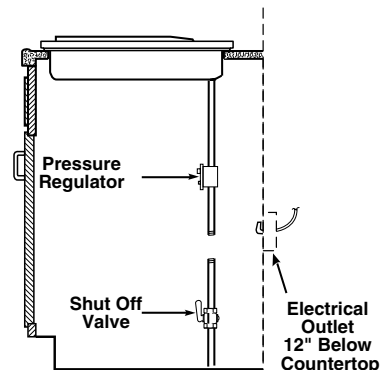
Screw a section of pipe onto each end of the pressure regulator.



To reduce the likelihood of gas leaks, apply teflon tape or a thread compound approved for use with LP or Natural gases to all threaded connections.

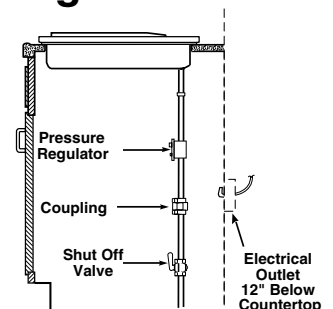
### C3 Install the regulator onto the burner box bottom.

Screw the regulator and pipe connection into the burner box bottom. Make sure the top of the regulator is facing towards the cabinet front, easily accessible through the cabinet doors.



### C4 Complete the connection with a coupling.

Install a coupling between the regulator and the shutoff valve to complete the connection.



# Installation Instructions

## C Installing the Cooktop cont.

### C5 Check for Leaks

Check for leaks. After connecting the cooktop to gas, check system for leaks with a manometer. If a manometer is not available, turn the gas supply on to the cooktop and use a liquid leak detector at all joints and connections to check for leaks.

Tighten all connections if necessary to prevent gas leakage in the cooktop or supply line.

Check alignment of valves after connecting the cooktop to the gas supply to be sure the manifold pipe has not been moved. A misalignment could cause the valve knob stem to rub on the control panel, resulting in a gas leak at the valve.

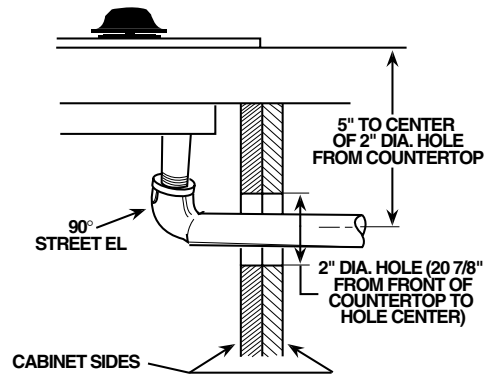
**DO NOT USE OPEN FLAME TO CHECK FOR LEAKS!**

**Disconnect this cooktop and its individual shutoff valve** from the gas supply piping system during any pressure testing of that system at test pressures greater than 1/2" psig.

**Isolate the cooktop** from the gas supply piping system by closing its individual shutoff valve during any pressure testing of the gas supply system at test pressures equal to or less than 1/2" psig.

### C6 INSTALLATION OVER BUILT-IN OVEN

See built-in oven installation for complete installation instructions.



# Installation Instructions

## D Installation–Electrical Connections

**D1** Because of potential safety hazards, under certain conditions we strongly recommend against the use of an extension cord. However, if you still elect to use an extension cord, it is absolutely necessary that it be a UL listed 3-wire grounding type appliance extension cord and that the current carrying rating of the cord in amperes be equivalent to or greater than the branch circuit rating. Such extension cords are obtainable through your local appliance dealer.

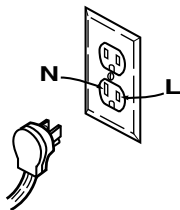
**IMPORTANT: (Please read carefully) FOR PERSONAL SAFETY, THIS APPLIANCE MUST BE PROPERLY GROUNDED.**

**D3** Where a standard two-prong wall receptacle is encountered, it is the personal responsibility and obligation of the customer to have it replaced with a properly grounded three-prong wall receptacle.

**Do not under any circumstances cut or remove grounding prong from the cooktop cord. Failure to provide proper polarization may create a hazardous condition.**

**D2** An adequate electrical supply and outlet must be used to operate the electrical parts of your cooktop.

- a. The power cord of this appliance is equipped with a three-prong (grounding) plug which must be used with a properly grounded three-hole outlet with a standard 120 Volt, 60 cycle AC household current.
- b. If you do not have a three-hole grounded outlet, have a qualified electrician change your old one.
- c. A grounding adaptor will be needed to convert the old one until the outlet can be replaced. This method is only temporary, and a qualified electrician should test it to be sure it meets requirements.



Insure proper ground and firm connection before use

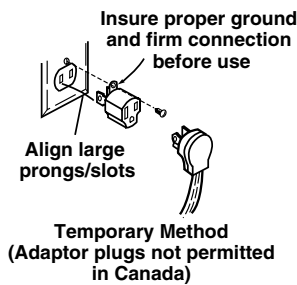


# Installation Instructions

## D Installation—Electrical Connections

### D4 Usage situations where appliance power cord will be disconnected infrequently

For 15 amp circuit only. Do not use an adaptor on a 20 amp circuit. Where local codes permit, a TEMPORARY CONNECTION may be made to a properly grounded two-prong wall receptacle by the use of a UL listed adaptor available at most hardware stores. The larger slot in the adaptor must be aligned with the large slot in the wall receptacle to provide proper polarity in the connection of the power cord.



**CAUTION:** Attaching the adaptor ground terminal to the wall receptacle cover screw does not ground the appliance unless the screw is metal, and not insulated, and the wall receptacle is grounded through the house wiring. The customer should have the circuit checked by a qualified electrician to make sure the receptacle is properly grounded.

When disconnecting the power cord from the adaptor, always hold the adaptor with one hand. If this is not done, the adaptor ground terminal is very likely to break with repeated use. Should this happen, DO NOT USE the appliance until a proper ground has again been established.

### Usage situation where appliance power cord will be disconnected frequently.

Do not use an adaptor plug in these situations because disconnection of the power cord places undue strain on the adaptor and leads to eventual failure of the adaptor ground terminal. The customer should have the two-prong receptacle replaced with a three-prong (grounding) receptacle by a qualified electrician before using the appliance.

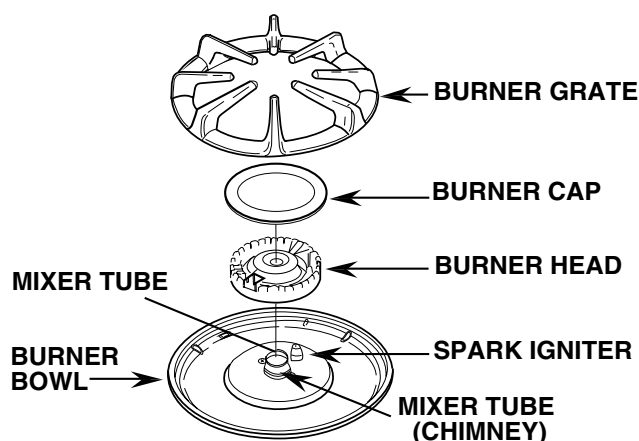
# Installation Instructions

## E Cooktop Burners

### E1 Assembling the Cooktop Burners

The electrode of the spark igniter is exposed. Be careful not to push any cooktop controls while the top of the burner is removed. Do not remove the top or touch the electrode of any burner while another burner is turned on. Electrical shock might result.

- Place the burner head on the burner bowl, so that the location of the spark igniter matches up with the opening in the burner head.
- Position the burner cap on the burner head.
- Place the burner grate over the burner assembly and into the burner bowl. The bottoms of the burner grates have fingers that fit into corresponding indentations in the burner bowl.



# Installation Instructions

## F Cooktop Burners

### F1 Checking the Igniters

Operation of the electric igniters should be checked after the cooktop and supply line have been carefully checked for leaks and the cooktop has been connected to the electrical power.

- a. Push and turn a burner valve to the LITE position.
  - The burner valve should light when gas is available to the burner.
  - Once the burner lights, it should be turned out of the LITE position.
- b. Try each valve separately until all burners have been checked.

### F2 Burner Ignition

**Cooktop Spark Ignition**—When you turn the cooktop knob to LITE, the spark igniter makes a series of electric sparks (ticking sounds) which light the burner.

During a power failure, the burners will not light automatically. In an emergency, a cooktop burner may be lit with a match by following the steps below.

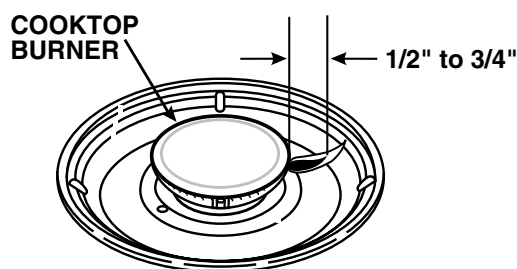
**WARNING:** Lighting gas burners with a match is dangerous. You should match light the cooktop burners only in an emergency.

- a. Light a match and hold the flame near the burner you want to light. Wooden matches work best.
- b. Push in and turn the control knob slowly. Be sure you are turning the correct knob for the burner you are lighting.

**NOTE:** If the burner does not light within five seconds, turn the knob off and wait one minute before trying again.

### F3 The Burner Flames

Turn each burner on. Flames should be blue in color with no trace of yellow. The burner flames should not flutter or blow away from the burner. The inner cone of the flame should be between 1/2" to 3/4" long.



**Burners should be checked frequently**

**WARNING:** If you attempt to measure the inner cone of the flame, please use caution. Burns could result.

# Installation Instructions



## Operation Checklist



Double check to make sure everything in this guide has been completed. Rechecking steps will ensure safe use of the cooktop.



**Recheck Steps:**  
**Double check to make sure everything in this guide has been completed. Rechecking steps will ensure safe use of the cooktop.**



Make sure all controls are left in the OFF position.



Make sure the flow of combustion and ventilation air to the cooktop is unobstructed.



The serial plate for your cooktop is located on the bottom of the burner box. In addition to the model and serial numbers, it tells you the ratings of the burners and the type of fuel and pressure the cooktop was adjusted for when it left the factory.



When ordering parts, always include the serial number, model number and a code letter to ensure proper replacement parts.

# LP Conversion

## G Making the L.P. Conversion

### G1 Safety Information you should know

The pressure regulator and burner orifices are set for natural gas. To use Propane Gas, the regulator and burner orifices must be converted. The LP orifice spuds for the cooktop burners can be located within a bracket attached to the pressure regulator of this unit.

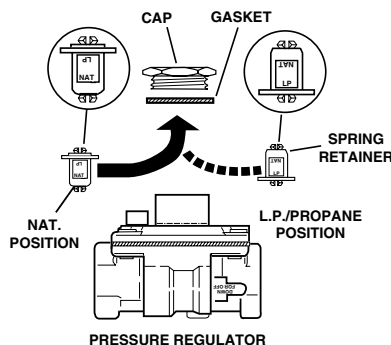
**CAUTION:** The cooktop, as shipped from the factory, is set for use with natural gas. If you wish to use your cooktop with Liquefied Petroleum (Propane) gas, you must first replace the orifices and convert the pressure regulator.

**WARNING:** This conversion must be performed by a qualified installer or gas supplier in accordance with the manufacturer's instructions and all codes and requirements of the authority having jurisdiction. Failure to follow instructions could result in serious injury or property damage. The qualified agency performing this work assumes responsibility for the conversion.

### G2 To adjust your cooktop for use with LP gas, follow these instructions:

**CAUTION:** The following adjustments must be made before turning on the burner. Failure to do so could result in serious injury. Be sure pressure regulator has been converted as described in Step G2.

- Disconnect all electrical power, at the main circuit breaker or fuse box.
- Shut off the gas supply to the cooktop by closing the manual shut-off valve.
- Adjust the pressure regulator, by the following instructions:
  - Unscrew the cap.
  - Place your thumb against the flat side of the spring retainer and press down to remove the retainer.
  - Carefully look at the spring retainer to locate the NAT or LP position.



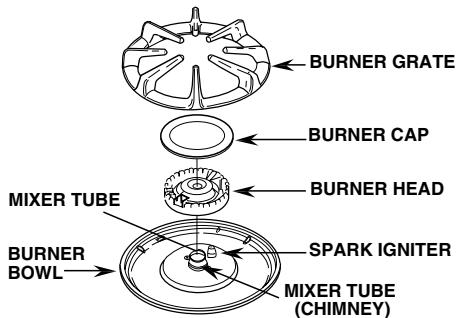
- Turn the spring retainer over so that LP is showing on the bottom.
- Snap the retainer back into position.

# LP Conversion

## G Making the L.P. Conversion cont.

### G3 Changing the Cooktop Burner Orifices:

- a. Remove the top grates, burner caps and burner heads.

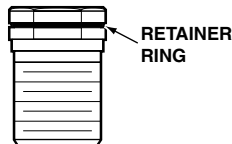


- b. Using a 7mm or 9/32" nut driver, remove the top burner orifices. These may be accessed through the burner air/gas mixer tube (Chimney).



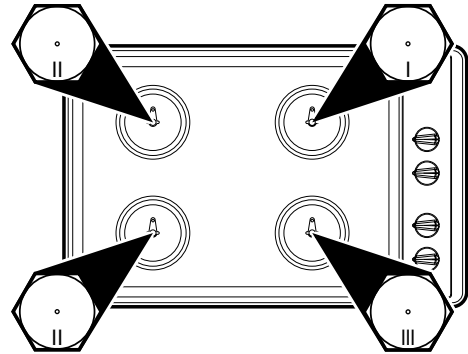
**NOTE: The orifices have a spring loaded retaining ring around the hex head to hold the orifice in the nut driver during installation and removal. A slight amount of force is required to push the nut driver down over the ring.**

- c. Locate the LP/Propane orifices shipped inside the literature package. They will have a digit number and the letter "L" on the side. **(Important: Save the orifices removed from the appliance for future use.)**

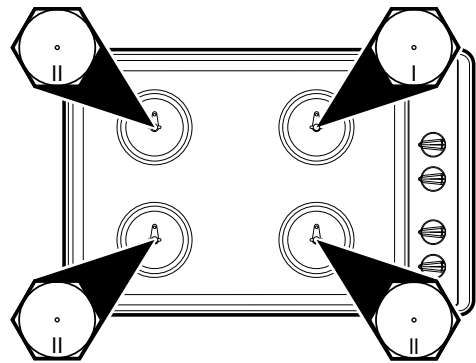


These marks denote the precise location of each orifice to the cooktop burner.

### Glass Cooktop



### Porcelain Cooktop



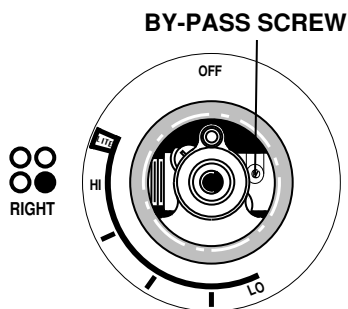
- d. Install the LP/Propane orifices in their precise locations as noted in the illustrations above.
- e. Return the natural orifices to the bracket and reattach the bracket and the instruction sheet to the pressure regulator using the screw previously removed.
- f. Replace the burner heads, caps and top grates.

# LP Conversion

## G Making the L.P. Conversion cont.

### G4 Adjusting the Burners' Low Flames

- Turn all burners full on and check the flames. They should be blue in color with no trace of yellow. Foreign particles in the gas line may cause an orange flame at first, but this will soon disappear.
- Turn control knob to low position while observing the flame.
- To make adjustment, remove the control knobs and panel. Insert a screwdriver in the shaft to adjust the valve by-pass screw.



- If the flames were too small or fluttered, open the valve more than the original setting.
  - If the flames blew away from the burner, close the valve more than the original setting.
- Make the adjustment, by slowly turning the screw until flame appearance is correct.

**Adjust the low flame setting using the valve by-pass screw as follows:**

Low setting adjustments must be made with two other burners in operation on a medium setting. This prevents the low flame from being set too low, resulting in the flame being extinguished when other burners are turned on.

#### e. Testing Flame Stability:

**Test 1** – Turn the knob from “HI” to “LOW” quickly. If the “LOW” flame goes out, increase the flame size and test again.

**Test 2** – With the burner on the “LOW” setting, open and close the cabinet door under the cooktop. If the flame is extinguished by the air currents created by the door movement, increase the flame height and test again.

#### f. Flame Recheck:

After the adjustment is made, turn all burners off. Ignite each burner individually. Observe the flame at the “HI” position. Rotate the valve to the “LO” position and be sure that the flame size decreases as the valve is rotated counterclockwise.

**TO CONVERT THE COOKTOP BACK TO NATURAL GAS, REVERSE THE STEPS UNDER MAKING THE LP CONVERSION.**

Once the conversion is complete and checked ok, fill out the LP sticker and include your name, organization and date conversion was made. Apply the sticker near the cooktop gas inlet opening to alert others in the future that this appliance has been converted to LP gas. If converting back to natural gas from LP, please remove the sticker so others know the appliance is set to use natural gas.





# Instructions d'installation

Table de cuisson scellée au gaz de 76 cm (30 po)  
JGP336, JGP930, JGP326

Questions? Appelez le Centre de réponse GE au 1.800.361.3400 ou visitez  
notre site Web à l'adresse : [www.electromenagersge.ca](http://www.electromenagersge.ca)

## Dans le Commonwealth of Massachusetts :

- Vous devez faire installer ce produit par un plombier licencié ou un monteur d'installations au gaz.
- Si vous utilisez des robinets d'arrêt de gaz à verrouillage à bille, ces robinets doivent être de la catégorie à manche en T.
- Si vous utilisez un tuyau de jonction du gaz, celui-ci ne doit pas dépasser 1 mètre (3 pieds).

## MISE EN GARDE : Avant de commencer, lisez attentivement la totalité de ces instructions.

- **IMPORTANT**—Conservez ces instructions pour votre inspecteur local.
- **IMPORTANT**—Respectez toutes les ordonnances et les codes locaux.
- **Note à l'installateur** : Assurez-vous de laisser ces instructions au consommateur.
- **Note au consommateur**—Conservez ces instructions pour référence future.
- **Note**—Cet appareil doit être bien mis à la terre.
- **IMPORTANT** : Vous devez vérifier que cet appareil n'a pas de fuite conformément aux instructions du fabricant.

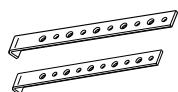
## PIÈCES COMPRISES



2 vis



Bandes de mousse



2 Supports de fixation

## MATÉRIAUX NÉCESSAIRES



Raccords de tuyaux

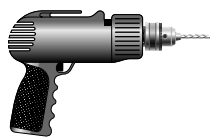


Agent de scellement de tuyau



Robinet d'alimentation de gaz

## OUTILS DONT VOUS AUREZ BESOINS



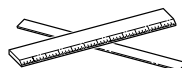
Perceuse à main ou électrique et foret de 1/8 po



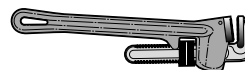
Tournevis Phillips



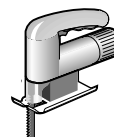
Crayon



Règle ordinaire ou de vérification



Clé à tuyau



Scie sauteuse

229C**4053P463-2**

31-10504-2 (04-03 JR)

# Instructions d'installation

## INSTRUCTIONS IMPORTANTES EN MATIÈRE DE SÉCURITÉ

### POUR VOTRE SÉCURITÉ



**Avertissement!! Si vous ne suivez pas exactement les instructions de ce manuel, vous risquez d'occasionner un incendie, une explosion ou une fuite de gaz, qui peuvent provoquer des dommages matériels, des blessures corporelles ou la mort.**

**NE conservez PAS OU N'UTILISEZ JAMAIS D'ESSENCE OU D'AUTRES LIQUIDES OU VAPEURS INFLAMMABLES À PROXIMITÉ DE CET APPAREIL OU DE TOUT AUTRE APPAREIL MÉNAGER!**



**CI QUE VOUS DEVEZ FAIRE SI VOUS SENTEZ LE GAZ :**

- N'essayez jamais d'allumer un appareil électroménager. Ne touchez à aucun commutateur d'électricité, n'utilisez jamais un téléphone dans votre bâtiment.
- Appelez immédiatement votre fournisseur de gaz à l'aide du téléphone d'un voisin. Suivez les instructions de votre fournisseur de gaz.
- Si vous ne pouvez pas entrer en communication avec votre fournisseur de gaz, appelez les pompiers.

L'installation et service de votre table de cuisson doivent être faites par un installateur qualifié, un technicien de service ou votre fournisseur de gaz.

La conception de votre table de cuisson a été approuvée par l'ACNOR International. Vous trouverez des précautions à prendre en matière de sécurité dans votre Manuel d'utilisation et de soins. Lisez-les attentivement.

- L'installation de votre table de cuisson doit se conformer aux codes locaux ou, en l'absence de codes locaux, au National Fuel Gas Code, ANSI Z223.1 Dernière édition.
- Assurez-vous que votre table de cuisson soit bien installée par un installateur qualifié ou un technicien de service.
- Pour éliminer tout mouvement corporel au dessus des brûleurs de votre table de cuisson, évitez de placer des armoires de cuisine au dessus des brûleurs.
- N'installez jamais votre appareil près d'une porte d'entrée ou à un emplacement où un courant d'air peut gêner son usage.

### BESOINS D'ÉLECTRICITÉ

**Cet appareil doit être mis à la terre.** Vérifiez les codes locaux qui s'appliquent dans votre région. Si aucun code local ne s'applique, conformez-vous au National Electrical Code, ANSI NFPA N° 70 Dernière édition. Pour de plus amples renseignements, écrivez à l'adresse suivante:

National Fire Protection Association  
Batterymarch Park  
Quincy, MA 02269

Assurez-vous que l'installation de cette table de cuisson dans une maison mobile se conforme à la Manufactured Home Construction and Safety Standard, Title 24 CFR, Part 3280. Si cette norme ne s'applique pas, vous devez vous conformer à la norme Standard for Manufactured Home Installations, Sites and Communities et ANSI/NFPA 501A, ou aux codes locaux. Vous pouvez obtenir un exemplaire de la norme fédérale en écrivant à l'adresse suivante :

Office of Mobile Home Standards  
HUD Building  
451 7th Street, S.W.  
Washington, D.C. 24010

# Instructions d'installation



## LISTE DE VÉRIFICATION AVANT INSTALLATION



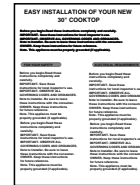
Pour préparer l'ouverture de la surface de cuisson, vous devez vous assurer que l'intérieur de l'armoire ne touche pas la table de cuisson (consultez la section sur la préparation de l'ouverture).



Retirez les matériaux d'emballage et la trousse de documentation de votre table de cuisson avant de commencer à l'installer.



Enlevez les instructions d'installation de la trousse de documentation et lisez-les soigneusement avant de commencer. Assurez-vous de bien ranger toute la documentation, Manuel d'utilisation, les installations, etc. dans un endroit sûr pour référence future.



Assurez-vous d'avoir tous les outils et tous les matériaux nécessaires avant de commencer à installer votre table de cuisson.



Votre maison doit être alimentée en courant électrique adéquat pour vous permettre de bien utiliser en toute sécurité votre table de cuisson. (consultez la section sur les besoins d'électricité)

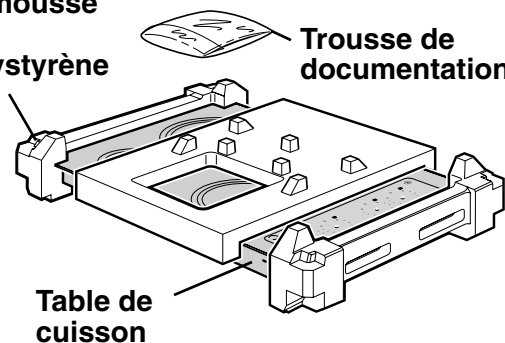


Pour installer votre table de cuisson dans votre maison, assurez-vous de vous conformer scrupuleusement à tous les codes et à toutes les ordonnances locales.



Assurez-vous que les revêtements de mur, le comptoir et les armoires autour de la table de cuisson puissent supporter la chaleur [pouvant atteindre 93°C (200°F)] produite par la table de cuisson.

Emballage en mousse de polystyrène



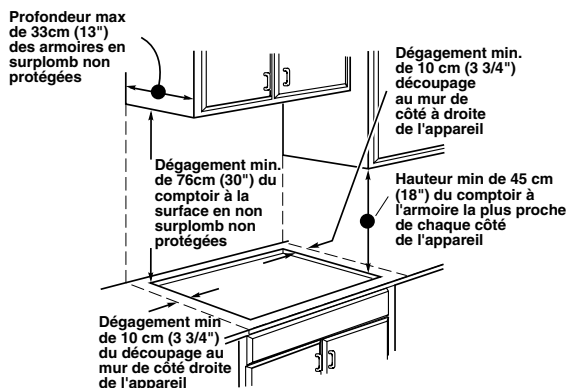
Trousse de documentation

Table de cuisson

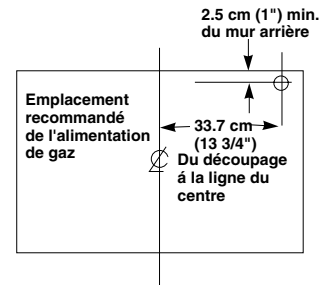
# Instructions d'installation

## A Préparation de l'ouverture

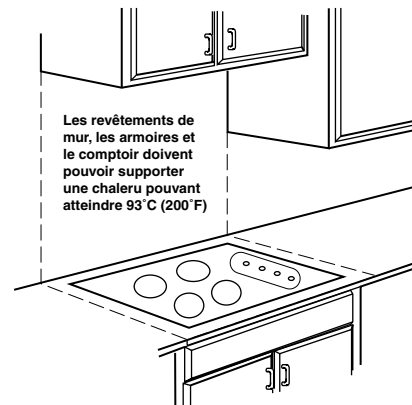
**A1** Vous devez respecter les dégagements minimaux suivant :



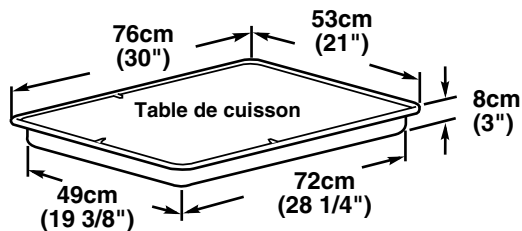
**A4** Emplacement recommandé de l'alimentation de gaz à partir du mur arrière.



**A5** Assurez-vous que les revêtements mur, le comptoir et les armoires autour de la table de cuisson puissent supporter la chaleur [pouvant atteindre 93°C (200°F)].

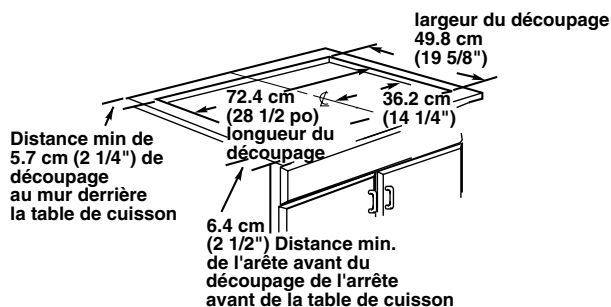


**A2** Dimensions totales de la table de cuisson



**A3** Dimensions du découpage de la table de cuisson

Pour assurer la justesse du découpage, il vaut mieux faire un gabarit pour couper l'ouverture dans le comptoir.

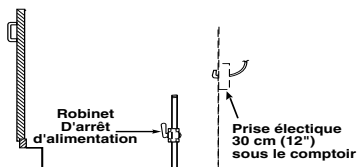


# Instructions d'installation

## B Installation de la table de cuisson

- B1** Placez la prise d'alimentation électrique et le robinet d'alimentation de gaz au-dessous de l'armoire.

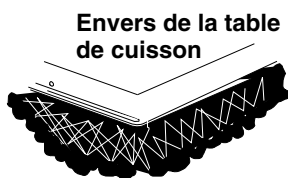
N'utilisez jamais des raccords usagés pour installer cet appareil.



Montez le robinet d'alimentation manuel sur le tuyau de gaz à un emplacement facile à atteindre en dehors de la table de cuisson. Assurez-vous de savoir où et comment couper l'alimentation de gaz à la table de cuisson. Montez la prise électrique 30 cm (12 po) au-dessous du comptoir.

- B2** Protégez la surface de la table de cuisson

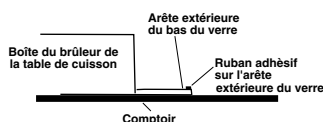
Placez une serviette ou un torchon sur le comptoir. Posez la table de cuisson à l'envers sur la surface protégée.



Linge sous la table de cuisson

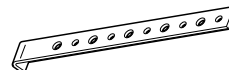
- B3** Posez le ruban adhésif (Modèles à surface de verre seulement)

Posez le ruban adhésif autour du verre de surface aussi près du bord que possible.



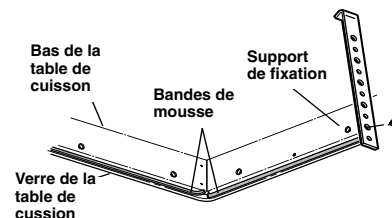
- B4** Trouvez les pièces de montage

Retirez les supports de fixation de la trousse de documentation.



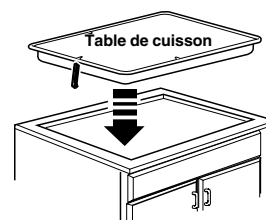
- B5** Fixez les supports de fixation à la table de cuisson

Enlevez la vis d'un côté de la table de cuisson, vissez un support de fixation à un côté de la table de cuisson. Répétez la même opération de l'autre côté de la table de cuisson.



- B6** Insérez la table de cuisson dans l'ouverture découpée

Insérez la table de cuisson centrée dans l'ouverture découpée. Assurez-vous que l'arrête de devant du comptoir soit bien parallèle à l'extrémité de la surface de cuisson. Faites une vérification finale pour vous assurer de bien respecter tous les dégagements.



Une fois la table de cuisson en place, vissez les supports de fixation aux côtés de l'armoire pour tenir la table de cuisson bien en place.

# Instructions d'installation

## C Installation de la table de cuisson

### C1 Prévoyez une alimentation en gaz adéquate

Cette table de cuisson est conçue pour fonctionner au gaz naturel à une pression de 4 po de colonne d'eau. Elle est expédiée de la fabrique réglée pour le gaz naturel.

Le régulateur de pression convertible fourni avec l'appareil doit être raccordé en série au collecteur de la table de cuisson et doit continuer le tuyau d'alimentation que l'on utilise du gaz naturel ou du gaz propane. **POUR UNE BONNE UTILISATION, LA PRESSION D'ENTRÉE MAXIMUM AU RÉGULATEUR NE DOIT PAS ÊTRE SUPÉRIEURE À 14 PO DE COLONNE D'EAU.** Pour correspondre au régulateur, la pression d'alimentation doit être au moins 1 po, ou 4.4KPA supérieure au réglage de sortie du régulateur. Si le régulateur est réglé une pression de 4 po de colonne d'eau, la pression d'alimentation doit être au moins égale à 5 po. Si le régulateur est réglé pour 10 po, la pression d'alimentation doit être au moins égale à 11 po.

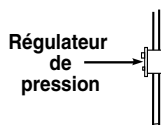
Le tuyau d'alimentation de gaz à la table de cuisson doit être un tuyau de 1 cm (1/2 po) ou de 2 cm (3/4 po).

### C2 Installation du régulateur

N'utilisez jamais de raccords usagés pour installer cette table de cuisson.

**Avertissement : N'utilisez jamais de raccord souple usagé. L'utilisation de raccords souples usagés peut occasionner des fuites de gaz et des blessures corporelles. Utilisez toujours un raccord souple neuf pour installer un appareil à gaz.**

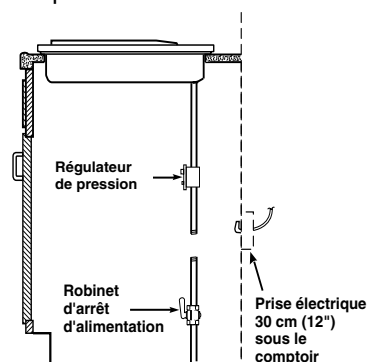
Vissez une section du tuyau dans chaque extrémité du régulateur de pression



Pour réduire la probabilité de fuite de gaz, posez sur tous les raccords filetés du ruban d'étanchéité pour joint ou de la pâte lubrifiante approuvée pour le gaz naturel ou le gaz propane.

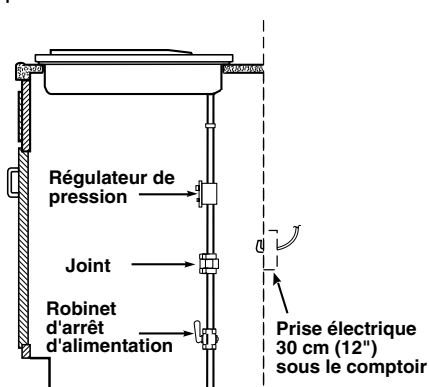
### C3 Installez le régulateur en bas de la boîte du brûleur

Vissez le régulateur et le raccord de tuyau en bas de la boîte du brûleur. Assurez-vous que le haut du régulateur face à l'avant de l'armoire et soit facilement accessible par les portes de l'armoire.



### C4 Terminez le raccordement par un joint

Montez un joint entre le régulateur et le robinet d'alimentation pour terminer le raccordement.



# Instructions d'installation

## C Installation de la table de cuisson suite

### C5 Vérifiez qu'il n'y ait pas de fuite

Vérifiez qu'il n'y ait pas de fuite. Après avoir raccordé la table de cuisson au gaz, vérifiez le système avec un manomètre pour vous assurer qu'il n'y ait pas de fuite. Si vous n'avez pas de manomètre, branchez l'alimentation de gaz à chaque raccord et à chaque joint pour vérifier qu'il n'y ait pas de fuite. Resserrez tous les raccords si nécessaire pour empêcher toute fuite de gaz de la table de cuisson ou du tuyau d'alimentation. Vérifiez l'alignement des robinets après avoir raccordé la table de cuisson à l'alimentation de gaz pour vous assurer que le collecteur n'ait pas bougé. Un mauvais alignement peut occasionner un frottement du corps du robinet contre le panneau de réglage, ce qui provoquerait une fuite de gaz au niveau du robinet.

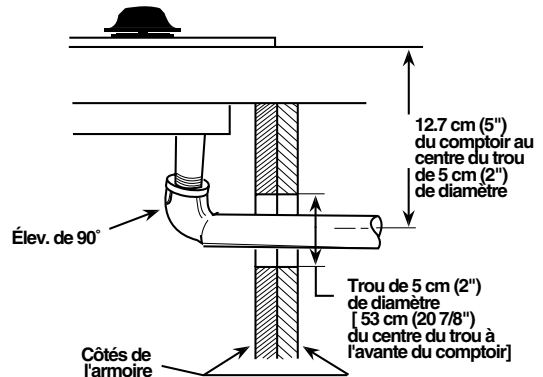
**N'UTILISEZ JAMAIS UNE FLAMME VIVE POUR VÉRIFIER S'IL Y A UNE FUITE!**

**Débranchez cette table de cuisson** et son robinet d'arrêt d'alimentation du système de tuyauterie d'alimentation de gaz pour entreprendre tout test de pression du système à une pression plus égale ou moins de 1/2 po psig.

**Isolez la table de cuisson** du système de tuyauterie d'alimentation de gaz en fermant son robinet d'arrêt d'alimentation pour entreprendre tout test de pression du système à une pression égale ou moins de 1/2 po psig.

### C6 Installation sur une cuisinière encastrée

Consultez l'installation de la cuisinière encastrée pour les instructions complètes d'installation.



# Instructions d'installation

## D Installation—Raccords Électriques

**D1** À cause du danger qu'elles font courir dans certaines conditions, nous vous recommandons instamment de ne pas utiliser de rallonge. Cependant, si vous devez utiliser une rallonge, il faut absolument qu'elle soit homologuée UL, triphasée à trois fils pour appareil électroménager et que sa capacité électrique en ampères soit équivalente ou supérieure à celle du circuit électrique. Vous pourrez trouver une telle rallonge chez votre revendeur d'appareils électroménagers.

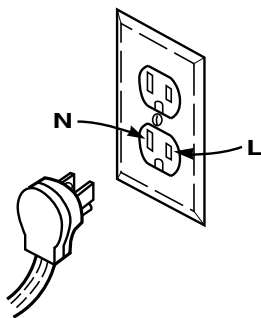
**IMPORTANT : (veuillez lire avec soin) Pour votre sécurité, personnelle, vous devez bien mettre à la terre cet appareil.**

**D3** Si vous avez une prise normale biphasée, c'est la responsabilité et l'obligation personnelle du client de la faire remplacer par une prise murale triphasée bien mise à la terre.

**Ne coupez ou ne retirez jamais, en aucun cas, la broche de mise à la terre du cordon d'alimentation de la table de cuisson. Si vous ne mettez pas bien votre appareil à la terre, vous pouvez créer une situation dangereuse.**

**D2** Vous devez utiliser une bonne alimentation électrique et une bonne prise pour faire fonctionner les éléments électriques de votre table de cuisson.

- Le cordon d'alimentation de votre appareil est muni d'une fiche à trois broches (avec mise à la terre) qui doit être utilisée dans une prise électrique bien mise à la terre, qui alimente en courant ménager CA normal de 120 volts, 60 cycles.
- Si vous n'avez pas de prise triphasée, demandez à un électricien qualifié de changer votre ancienne prise.
- Vous aurez besoin d'une fiche d'adaptation de mise à la terre pour convertir votre ancienne prise jusqu'à son remplacement. Cette méthode est temporaire et un électricien qualifié doit tester votre installation pour s'assurer qu'elle se conforme aux exigences.



**Assurez une bonne mise à la terre et un bon contact avant l'usage**

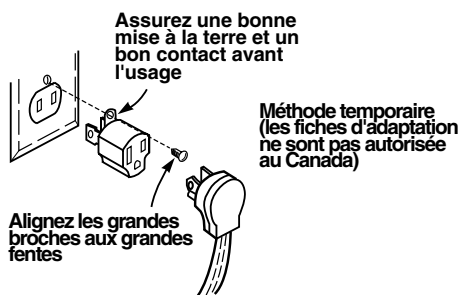


# Instructions d'installation

## D Installation—Raccords Électriques

### D4 Situation d'utilisation où le cordon d'alimentation d'un appareil électroménager est fréquemment débranché

Pour un circuit électrique de 15 ampères uniquement. **N'utilisez** jamais de fiche d'adaptation sur un circuit de 20 ampères. Quand les codes locaux le permettent, vous pouvez établir UN CONTACT TEMPORAIRE avec une prise murale biphasée bien mise à la terre en utilisant une fiche d'adaptation homologuée UL en vente dans la plupart des quincailleries. La fente la plus grande de l'adaptateur doit être alignée à la plus grande fente de la prise murale pour obtenir une bonne polarité avec le cordon d'alimentation.



**MISE EN GARDE :** Si vous fixez la broche de mise à la terre de l'adaptateur à une vis du couvercle de la prise murale, cela ne met pas à la terre l'appareil, à la moins que la vis soit en métal et ne soit pas isolée et que la prise murale soit mise à la terre par l'intermédiaire du câblage de la maison. Vous devez faire vérifier le circuit par un électricien qualifié pour vous assurer que la prise est bien mise à la terre.

Quand vous débranchez le cordon d'alimentation de l'adaptateur, tenez toujours l'adaptateur à la main. Si vous ne le faites pas, vous casserez probablement la broche de mise à la terre de l'adaptateur par un usage répété. Si cela se produit, **N'UTILISEZ JAMAIS** l'appareil avant de bien le remettre à la terre.

### SITUATIONS D'UTILISATION OÙ LE CORDON D'ALIMENTATION D'UN APPAREIL ÉLECTROMÉNAGER EST FRÉQUEMMENT DÉBRANCHÉ.

N'utilisez jamais un adaptateur dans cette situation, car en débranchant le cordon d'alimentation, vous faites subir une tension imprévue à l'adaptateur et cela risque de provoquer une panne de sa mise à la terre. Le client doit faire remplacer sa prise biphasée par une prise triphasée par un électricien qualifié avant d'utiliser son appareil.

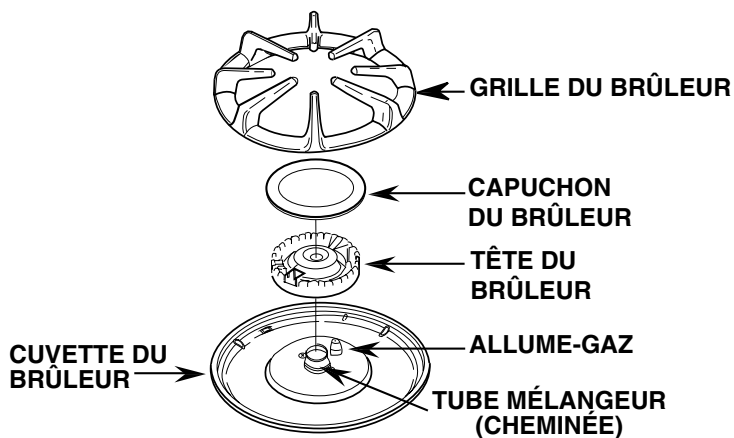
# Instructions d'installation

## E Brûleurs de la table de cuisson

### E1 Montage des brûleurs de la table de cuisson

L'électrode de l'allume est exposée. Prenez bien soin pousser de bouton de réglage de la table de cuisson pendant que le haut du brûleur est enlevé. N'enlevez jamais le haut ou ne touchez jamais à l'électrode d'un brûleur quand un autre brûleur fonctionne. Cela peut provoquer des secousses électriques.

- Placez la tête du brûleur sur la cuvette du brûleur, de sorte que de l'allume-gaz soit aligné avec l'ouverture de la tête du brûleur.
- Installez le capuchon du brûleur sur la tête du brûleur.
- Placez la grille sur le brûleur, dans la cuvette du brûleur. Le dessous des grilles est pourvu de tiges qui s'insèrent dans les trous correspondants de la cuvette du brûleur.



# Instructions d'installation

## F Brûleurs de la table de cuisson

### F1 Vérification des allumeurs

**Vous devez vérifier le fonctionnement des allumeurs électriques après avoir soigneusement vérifié qu'il n'y ait pas de fuite au tuyau d'alimentation ou à la table de cuisson et après avoir branché la table de cuisson au courant électrique.**

- Poussez et tournez un robinet de brûleur en position **LITE** (allumage).
  - Le robinet du brûleur doit s'allumer quand il y a du gaz dans le brûleur.
  - Quand le brûleur s'allume, vous devez l'enlever de sa position **LITE** (allumage).
- Essayez chaque robinet séparément afin de vérifier tous les brûleurs.

### F2 Allumage des brûleurs

**Allume de la table de cuisson—**Quand vous tournez la bouton de la table de cuisson en position **LITE** (allumage), l'allumeur fait une série d'étincelles électriques (avec un grésillement) qui allument le brûleur.

En cas de panne de courant, les brûleurs ne s'allument pas automatiquement. En cas d'urgence, vous pouvez allumer un brûleur de table de cuisson au moyen avec une allumette, en suivant les étapes suivantes :

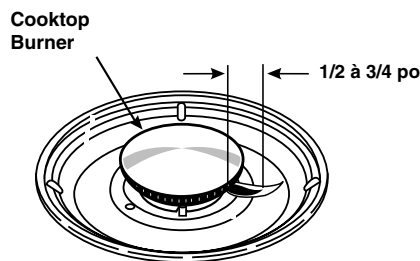
**AVERTISSEMENT : Il est dangereux d'allumer un brûleur à gaz avec une allumette. Vous ne devez allumer un brûleur de table de cuisson avec une allumette qu'en cas d'urgence.**

- Allumez une allumette et tenez la flamme près du brûleur que vous voulez allumer. Il vaut mieux utiliser une allumette en bois.
- Poussez et tournez lentement le bouton de réglage. Assurez-vous de bien tourner le bouton qui correspond au brûleur que vous voulez allumer.

**NOTE :** Si le brûleur ne s'allume pas en moins de cinq secondes, ramenez le bouton en position d'arrêt et attendez une minute avant d'essayer à nouveau.

### F3 Les flammes de brûleurs

Allumez chaque brûleur. Les flammes doivent être de couleur bleue, sans trace de jaune. Les flammes de brûleur ne doivent ni scintiller ni s'éloigner du brûleur. Le cône intérieur de la flamme doit avoir de 1 cm à 2 cm (1/2 po à 3/4 po) de long.



**Vous devez vérifier le bon fonctionnement de vos brûleurs fréquemment.**

**AVERTISSEMENT : Si vous tentez de mesurer le cône intérieur de la flamme, faites très attention. Vous pouvez vous brûler.**

# Instructions d'installation



## Liste De Vérification De Fonctionnement



Vérifiez deux fois pour vous assurer de vous être bien conformé à toutes les instructions de ce guide. En vérifiant deuxième fois, vous vous assurez d'utiliser la table de cuisson en toute sécurité.



Assurez-vous que tous les réglages soient en position OFF (arrêt).



Assurez-vous qu'il n'y ait pas d'obstacle à la circulation d'air de combustion et de ventilation de la table de cuisson.



La plaque de série de votre table de cuisson est située en bas de la boîte des brûleurs. En plus du modèle et du numéro de série, cette plaque vous indique la notation des brûleurs, la catégorie de carburant et la pression à laquelle la table de cuisson a été réglée à sa sortie de la fabrique.



Si vous commandez des pièces, indiquez toujours le numéro de série, le numéro de modèle et un lettre de code pour vous assurer d'obtenir les bonnes pièces de remplacement.



### Double Vérification :

**Vérifiez deux fois pour assurer de bien vous être conformé à toutes les instructions de ce guide. En vérifiant une deuxième fois, vous vous assurez d'utiliser la table de cuisson en toute sécurité.**

# Conversion au gaz propane

## G Conversion au gaz propane

### G1 Informations en matière de sécurité que vous devriez connaître

Le régulateur de pression et les orifices des brûleurs sont réglés pour le gaz naturel. Pour utiliser du gaz propane, vous devez convertir le régulateur et les orifices des brûleurs. Vous trouverez les réglages des orifices de gaz propane pour les brûleurs de votre table de cuisson dans un support tizé au régulateur de pression de votre appareil.

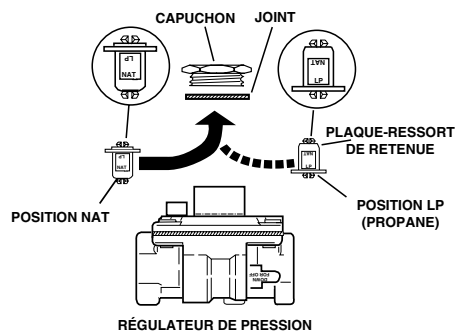
**MISE EN GARDE :** La table de cuisson à son départ de l'usine, est réglée pour une utilisation au gaz naturel. Si vous désirez utiliser votre table de cuisson au gaz propane, vous devez d'abord remplacer les orifices et convertir le régulateur de pression.

**AVERTISSEMENT :** Cette conversion doit être faite par un installateur qualifié ou un fournisseur de gaz conformément aux instructions du fabricant et de tous les codes et les exigences des autorités qui ont juridiction. Si vous ne suivez pas ces instructions, vous risquez de provoquer des blessures sérieuses ou des dommages matériels. L'agence qualifiée qui a accompli la conversion assume la responsabilité de son travail.

**MISE EN GARDE :** Vous devez effectuer les réglages suivants avant de mettre en marche le brûleur. Si vous ne le faites pas, vous risquez de causer des blessures sérieuses. Assurez-vous que le régulateur de pression ait été converti selon les instructions de l'étape G2.

### G2 Pour régler la table de cuisson afin de l'utiliser au gaz propane, suivez ces instructions :

- Débranchez complètement le courant électrique au niveau du disjoncteur principal de circuit ou dans la boîte de fusibles.
- Fermez l'alimentation de gaz à la table de cuisson en fermant le robinet manuel d'arrêt d'alimentation.
- Réglez le régulateur de pression en suivant ces instructions:
  - Dévissez le capuchon.
  - Placez votre pouce contre le côté plat de la plaque-ressort de retenue et pressez pour retirer le dispositif de retenue.
  - Regardez attentivement la plaque-ressort de retenue pour y trouver les positions NAT et LP.



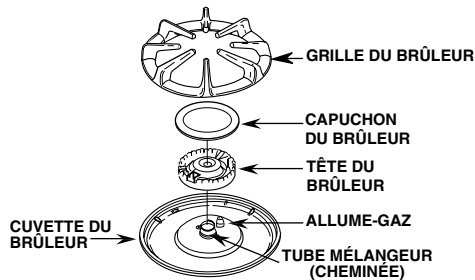
- Tournez la plaque-ressort de manière à ce que l'inscription LP apparaisse en bas.
- Remettez la dispositif de retenue en place.

# Conversion au gaz propane

## G Conversion au gaz propane suite

### G3 Changement des orifices des brûleurs de la table de cuisson :

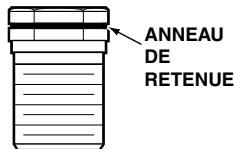
- a. Enlevez la grille, le capuchon et la tête des brûleurs.



- b. À l'aide d'une tourne-écrou de 7 mm ou de 9/32 po, retirez les orifices des brûleurs du haut. Cet injecteur est accessible par le tube mélangeur air/gaz du brûleur (cheminée).



**NOTE :** Les orifices ont un anneau de retenue à ressort autour de la tête hexagonale pour tenir les orifices dans le tourne-écrou pendant l'installation et l'enlèvement. Vous aurez besoin d'un peu de force pour enfoncer le tourne-écrou sur l'anneau.

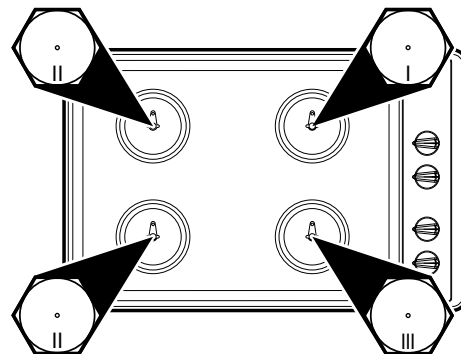


- c. Trouvez les orifices à gaz propane ézpediés dans la trousse de documentation. Ils ont un numéro et la lettre «L» sur le côté (Important : Rangez les orifices inlevés de l'appareil pour une utilisation future.) Chaque orifice porte une série de marques gravées (I, II ou III) en haut.

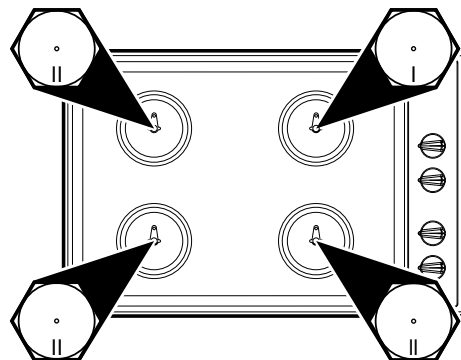


Ces marques indiquent l'emplacement précis de chaque orifice sur les brûleurs de la table de cuisson.

### TABLE DE CUISSON EN VERRE



### TABLE DE CUISSON EN ÉMAIL VITRIFIÉ



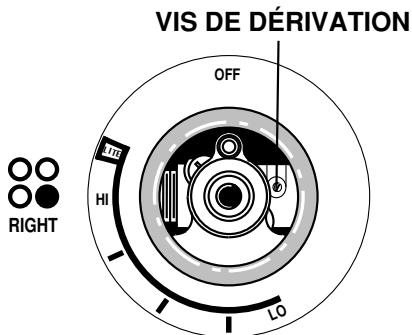
- d. Montez les orifices à gaz propane dans leur emplacement précis tel qu'indiqué dans les illustrations ci-dessus.
- e. Important : Rangez les orifices inlevés de l'appareil pour une utilisation future.
- f. Remplacez les bases, les têtes, les capuchons et les grilles du haut des brûleurs.

# Conversion au gaz propane

## G Conversion au gaz propane suite

### G4 Réglage de la flamme des brûleurs

- Allumez tous les brûleurs à pleine puissance et observez les flammes.  
Des particules étrangères dans le tuyau de gaz peuvent occasionner une flamme orange au début, mais cette couleur doit disparaître rapidement.
- Tournez le bouton de commande à la position «LOW» tout en surveillant la flamme.
- Pour régler, enlevez le bouton de réglage et le panneau. Insérez un tournevis de la shaft à réglage le valve vis de derivation.



- Si la flamme est trop petite ou scintillante, ouvrez le robinet davantage par rapport au réglage original.
  - Si la flamme brûle loin du brûleur, fermez le robinet par rapport au réglage original.
- Réglez en tournant lentement la vis jusqu'à ce que l'aspect de la flamme soit convenable.

### Réglez une flamme faible à l'aide du robinet par la vis de dérivation de la manière suivante:

Vous devez régler les flammes faibles avec deux autres brûleurs qui fonctionnent en réglage moyen. Cela empêche la flamme faible d'être réglée trop bas et de s'éteindre quand d'autres brûleurs sont mis en marche.

#### e. Essai de stabilité de la flamme:

**Premier essai** - Tournez le bouton «HI» (haut) à «LOW» (bas) rapidement. Si la flamme s'éteint à «LOW» (bas), augmentez la taille de la flamme et recommencez l'essai.

**Deuxième essai** - Avec les brûleurs en réglage «LOW» (bas), ouvrez et fermez la porte de l'armoire située sous la table de cuisson. Si le courant d'air créé par le mouvement de la porte éteint la flamme et recommencez l'opération.

#### f. Revérification de la flamme:

Après avoir réglé la flamme, éteignez tous les brûleurs. Allumez chaque brûleur séparément. Observez la flamme en position «HI» (haut). Tournez le robinet en position «LOW» (bas) et assurez-vous que la taille de la flamme diminue quand vous tournez le robinet dans le sens opposé à celui des aiguilles d'une montre.

### POUR RECONVERTIR VOTRE TABLE DE CUISSON AU GAZ NATUREL, RENVERSEZ LES ÉTAPES ENTREPRISES POUR CONVERTIR AU GAZ PROPANE.

Une fois que vous avez terminé et vérifié la conversion, remplissez l'étiquette de gaz propane et inscrivez votre nom, votre organisme et la date de la conversion. Posez l'étiquette près de l'entrée d'alimentation de gaz de votre table de cuisson, afin d'aviser les autres, dans l'avenir, que cet appareil a été converti au gaz propane. Si vous reconvertissez au gaz naturel, veuillez enlever cette étiquette de manière à aviser les autres que l'appareil est réglé pour le gaz naturel.

