



# OWNER'S MANUAL

**36", 48" Monogram Island Vent Hood  
ZVIS361, ZVIS481**

ENGLISH/ESPAÑOL

# TABLE OF CONTENTS

<b>MODEL INFORMATION</b> .....	2
<b>CONSUMER SUPPORT</b> .....	3
<b>SAFETY INFORMATION</b> .....	4
<b>CONTROLS AND FEATURES</b> .....	6
Controls .....	6
Wi-Fi Connect .....	6
Chef Connect .....	6
<b>CARE AND CLEANING</b> .....	7
For Your Safety – Pour Votre Sécurité .....	7
Metal Greas Filter .....	7
Hood Surfaces .....	7
Light Bar .....	8
<b>TROUBLESHOOTING</b> .....	9
<b>MONOGRAM LIMITED WARRANTY</b> .....	11

## MODEL INFORMATION

### MODEL NUMBERS

ZVIS361, ZVIS481

---

### WRITE DOWN THE MODEL AND SERIAL NUMBERS

You'll find them on a label behind the filters.

**Please write these numbers here:**

\_\_\_\_\_

Model Number

\_\_\_\_\_

Serial Number

Use these numbers in any correspondence or service calls concerning your appliance.

# CONSUMER SUPPORT

## MONOGRAM WEBSITE

Have a question or need assistance with your appliance? Try the Monogram website 24 hours a day, any day of the year! You can also shop for more great Monogram products and take advantage of all our on-line support services designed for your convenience. In the US: [Monogram.com](http://Monogram.com)

---

## REGISTER YOUR APPLIANCE

Register your new appliance on-line at your convenience! Timely product registration will allow for enhanced communication and prompt service under the terms of your warranty, should the need arise. You may also mail in the pre-printed registration card included in the packing material. In the US: [Monogram.com/register](http://Monogram.com/register)

---

## SCHEDULE SERVICE

Expert Monogram repair service is only one step away from your door. To request service in the US, visit our website at [Monogram.com/contact](http://Monogram.com/contact)

---

## REMOTE CONNECTIVITY

For assistance with wireless network connectivity (for models with remote enable), visit our website at [Monogram.com/connect](http://Monogram.com/connect)

---

## PARTS AND ACCESSORIES

Individuals qualified to service their own appliances can have parts or accessories sent directly to their homes (VISA, MasterCard and Discover cards are accepted). Order on-line today 24 hours every day.

In the US: [monogram.com/use-and-care/parts](http://monogram.com/use-and-care/parts)

**Instructions contained in this manual cover procedures to be performed by any user. Other servicing generally should be referred to qualified service personnel. Caution must be exercised, since improper servicing may cause unsafe operation.**

---

## CONTACT US

If you are not satisfied with the service you receive from Monogram, contact us on our website with all the details including your phone number, or write to:

In the US: General Manager, Customer Relations | Monogram Appliances, Appliance Park | Louisville, KY 40225  
[Monogram.com/contact](http://Monogram.com/contact)

# IMPORTANT SAFETY INFORMATION

## READ ALL INSTRUCTIONS BEFORE USING THE APPLIANCE

**▲WARNING** Read all safety instructions before using the product. Failure to follow these instructions may result in fire, electrical shock, serious injury or death.

### **▲WARNING** GENERAL SAFETY INSTRUCTIONS

**▲WARNING** TO REDUCE THE RISK OF FIRE, ELECTRIC SHOCK OR INJURY TO PERSONS, OBSERVE THE FOLLOWING:

- A. Use this unit only in the manner intended by the manufacturer. If you have questions, contact the manufacturer.
- B. Before servicing or cleaning unit, switch power off at service panel and lock the service disconnecting means to prevent power from being switched on accidentally. When the service disconnecting means cannot be locked, securely fasten a prominent warning device, such as a tag, to the service panel.
- C. Do not use this unit with any solid-state speed-control device.
- D. This unit must be grounded.

**▲CAUTION** FOR GENERAL VENTILATING USE ONLY. DO NOT USE TO EXHAUST HAZARDOUS OR EXPLOSIVE MATERIALS AND VAPORS.

**▲WARNING** TO REDUCE THE RISK OF INJURY TO PERSONS IN THE EVENT OF A RANGE TOP GREASE FIRE, OBSERVE THE FOLLOWING\*:

- A. SMOTHER FLAMES with a close-fitting lid, cookie sheet, or metal tray, then turn off the burner. BE CAREFUL TO PREVENT BURNS. If the flames do not go out immediately, EVACUATE AND CALL THE FIRE DEPARTMENT.
- B. NEVER PICK UP A FLAMING PAN—You may be burned.
- C. DO NOT USE WATER, including wet dishcloths or towels—a violent steam explosion will result.
- D. Use an extinguisher ONLY if:
  - 1. You know you have a Class ABC extinguisher, and you already know how to operate it.
  - 2. The fire is small and contained in the area where it started.
  - 3. The fire department is being called.
  - 4. You can fight the fire with your back to an exit.

\*Based on “Kitchen Fire safety Tips” published by NFPA.

**▲WARNING** TO REDUCE THE RISK OF A RANGE TOP GREASE FIRE:

- A. Never leave surface units unattended at high or medium settings. Boilovers cause smoking and greasy spillovers that may ignite. Heat oils slowly on low or medium settings.
- B. Always turn hood ON when cooking at high heat or when flambéing food (i.e. Crepes Suzette, Cherries Jubilee, Peppercorn Beef Flambé).
- C. Clean ventilating fans frequently. Grease should not be allowed to accumulate on fan or filter.
- D. Use proper pan size. Always use cookware appropriate for the size of the surface element.

**▲WARNING** TO REDUCE THE RISK OF FIRE, ELECTRIC SHOCK OR INJURY TO PERSONS, OBSERVE THE FOLLOWING:

- A. Installation work and electrical wiring must be done by qualified person(s) in accordance with all applicable codes and standards, including fire-related construction.
- B. Sufficient air is needed for proper combustion and exhausting of gases through the flue (chimney) of fuel burning equipment to prevent back drafting. Follow the heating equipment manufacturer’s guideline and safety standards such as those published by the National Fire Protection Association (NFPA), and the American Society for Heating, Refrigeration and Air Conditioning Engineers (ASHRAE), and the local code authorities. When applicable, install any makeup (replacement) air system in accordance with local building code requirements. Visit **Monogram.com** for available makeup air solutions.
- C. When cutting or drilling into wall or ceiling, do not damage electrical wiring and other hidden utilities.
- D. Ducted fans must always be vented to the outdoors.

**▲WARNING** TO REDUCE THE RISK OF FIRE, USE ONLY METAL DUCTWORK.

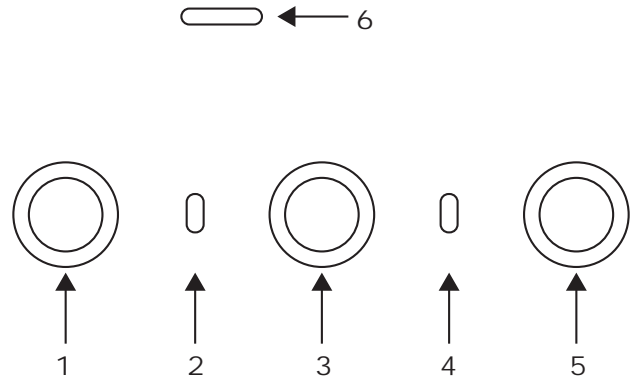
- Do not attempt to repair or replace any part of your hood unless it is specifically recommended in this manual. All other servicing should be referred to a qualified technician.

## READ AND SAVE THESE INSTRUCTIONS

# CONTROLS AND FEATURES

## CONTROLS

1. **Power.** Turns fan on and off.
2. **Wi-Fi Indicator.**
3. **Fan.** Toggles through low, medium, high, and boost.
4. **Chef Connect Indicator.**
5. **Light.** Toggles through High, Medium, or Low.
6. **Indoor Air Quality (IAQ) LED Indicator.**  
Changes color as indoor air quality changes. Unit must be commissioned to Wi-Fi for IAQ sensor to become operational.



## DISCLAIMER

**Limitations on Indoor Air Quality Monitoring:** The hood is intended to be used only to provide a general awareness of changes of levels of certain components of indoor air quality near the hood rather than absolute measurements of any given component and/or measurement against any given standard. Variations in readings may occur due to any number of factors, including ventilation conditions, environmental influences, cooking activities, and sensor limitations. Any observations or readings provided by this product are for informational purposes only and may not be utilized as a substitute for or in the development of any professional advice, assessment, or diagnosis of any type.

## WI-FI CONNECT

### CONNECTING YOUR WI-FI ENABLED HOOD

Your hood is designed to provide you with two-way communication between your appliance and smart devices. By using the **SmartHQ™** mobile app, you will be able to control hood operations such as fan speed, light intensity, and night light scheduling using your smartphone or tablet\*.

For the best experience, prior to beginning:

- Download the **SmartHQ™** app and sign in or create an account.

**NOTE:** New users must verify their email address to

complete the sign in process.

- Have your home Wi-Fi network password available.

To connect your range to Wi-Fi, touch and hold the **FAN** button for 3 seconds. The Wi-Fi indicator light will start flashing. Once your hood is connected, launch the **SmartHQ™** app and tap on your hood to explore. Apply all software upgrades if prompted to ensure your hood has the latest features. If you have issues with the connection process, please call 800.220.6899 and ask for assistance with wireless connectivity.

\* Compatible Apple or Android devices and home Wi-Fi network required.

## CHEF CONNECT

### CHEF CONNECT OPERATION BLUETOOTH® CONNECTION

#### To pair with another device:

Press and hold the **Light** button for 3 seconds. The indicator light will blink until the hood is paired with the range or other device. If the pairing is successful, the Bluetooth® indicator will turn on and become solid. It will time out after 2 minutes if the pairing is not completed, after which the pairing sequence will need to be restarted.

#### To cancel pairing:

Hold the **Light** button down for 3 seconds and the indicator light will stop blinking.

#### Changing the Default Sync Settings:

The factory Default Sync Settings for the light will be the brightest and the setting for the fan will be OFF. The user

can change the settings by pressing and holding the **Light** button for 10 seconds. This will enter the Default Settings Mode. Once in this mode, the backlights for all buttons will blink on/off indefinitely and the fan and light will switch to the current settings, so the user knows what the current default value is. At this time, set the light and fan to the desired default levels using the **Light** and **Fan** buttons. Once satisfied with the selection, press and hold the **Power** button for 10 seconds, which will exit this mode. At that time the backlights will stop blinking and the state of the fan and light will change back to their prior state before entering the Default Settings Mode.

# CARE AND CLEANING

## FOR YOUR SAFETY

Before servicing or cleaning the unit, switch power off at the service panel and lock the service panel to prevent power from being switched on accidentally. If the service

panel cannot be locked, securely fasten a prominent warning device, such as a tag, to the service panel.

## CHARCOAL FILTERS (recirculation mode only available on 36" model)

If the model is not vented to the outside, the air will be recirculated through disposable charcoal filters that help remove smoke and odors.

The charcoal filters should be replaced when they are noticeably dirty or discolored (usually after 6 to 12 months, depending on hood usage).

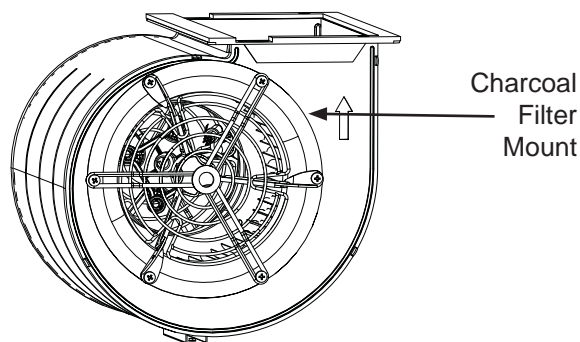
The charcoal filters are **NOT** included with the unit.

To reduce the risk of fire and shock, when used in recirculation mode, use only charcoal filter UXCF91.

**NOTE:** DO NOT rinse, or put charcoal filters in an automatic dishwasher.

**The charcoal filters cannot be cleaned. They must be replaced.**

This kit can be ordered from your Monogram Supplier.



## METAL GREASE FILTER

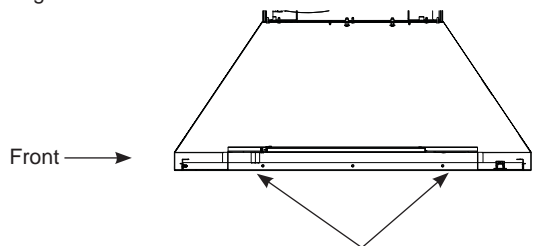
Clean the grease filter after 30 hours of "on" time. A red signal light will alert you when 30 hours has passed.

Remove the grease filters and wash them either by hand or in the dishwasher using nonabrasive soap.

To clean, swish the filters in hot soapy water or wash them in the dishwasher. Do not use abrasive cleansers.

Replace the filters and make sure that they are correctly seated in the filter channels. Adjust as necessary until the red signal light stops glowing.

**NOTE:** To remove filters, push them back and down using the knob.



For proper operation, make sure the filters are securely seated into the channels.

## HOOD SURFACES

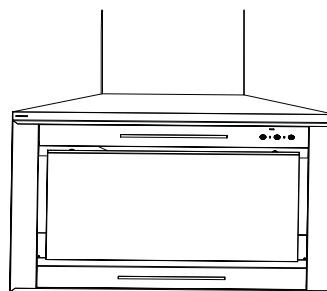
**Do not use a steel-wool pad; it will scratch the surface.**

To clean the stainless steel surface, use warm, sudsy water or a stainless steel cleaner or polish. Always wipe the surface in the direction of the grain.

Follow the cleaner instructions for cleaning the stainless steel surface. To inquire about purchasing stainless steel appliance cleaner or polish or to find the location of a dealer nearest you, please visit our website: **Monogram.com**

## LIGHT BAR

To change the lighting bar, schedule a service appointment. See Consumer Support page in the front of this manual for a list of websites and contact information.



# TROUBLESHOOTING

Save time and money! Review the charts on the following information first and you may not need to call for service.

Problem	Possible Causes	What To Do
Fan does not operate when the On/Off button is pushed	A fuse may be blown or a circuit breaker tripped.	Replace fuse or reset circuit breaker.
Fan keeps going off and on	The motor is probably overheating and turning itself off. This can be harmful to the motor.	Check to be sure the filter is clean. If off and on cycling continues, call for service. Visit <b>Monogram.com</b> for available makeup air solutions.
Fan does not operate when fan On/Off button is pressed or when + or – button is pressed	The blower connector is loose or not plugged into its mating connector.	Disconnect power to the unit. Lift the lower duct cover and look at the blower connector plug. If the blower connector plug is loose, plug it in securely. See the Installation Instructions for the plug location and how to plug in the connector.
Loud or abnormal airflow noise	Wrong size duct used in installation.	This hood requires 8" for ZVWS361 or 10" for ZVWS481 ducting and a maximum duct length of 150 equivalent feet to perform optimally. Using smaller duct pipe or longer equivalent lengths of duct pipe will cause improper venting. Monogram service technicians cannot correct this issue if installed improperly.
Fan fails to circulate air or moves air slower than normal and/or fan is making loud or abnormal airflow noise	Obstructions in duct work.	Make sure nothing is blocking the vent. Make sure your wall or roof cap has a blade or door.
	Damper blade on wall or roof cap may not be open.	Make sure damper swings freely. Damper blades may flip over and will not fully open when this happens. Adjust to original position.
	Metal grease filter and charcoal filter (if present) may be dirty.	Clean the metal grease filter and replace charcoal filter (if present). See Care and Cleaning.
	Sufficient makeup (replacement) air is required for exhausting appliances to operate to rating.	Check with local building codes, which may require or strongly advise the use of makeup air.
The hood controls are not operating correctly	Control logic confused.	Disconnect power to the hood by resetting the circuit breaker. Wait 30 seconds to allow controls to reset.
IAQ sensor not working	Unit is not connected to cloud or calibrating.	Commission unit to router using app.
IAQ sensor changing when not cooking	Other sources of VOC and PM in kitchen (i.e. candles, wine).	Turn fan on if undesired smell in kitchen otherwise no action required.

# NOTES



# MONOGRAM LIMITED WARRANTY

## Monogram.com

All warranty service is provided by our Factory Service Centers, or an authorized Customer Care® technician. To schedule service online, visit us at [monogram.com/contact](http://monogram.com/contact). In Canada, visit [monogram.ca](http://monogram.ca).

Servicing your range hood may require the use of the onboard data port for diagnostics. This gives a Monogram Factory Service technician the ability to quickly diagnose any issues with your appliance and helps Monogram improve its products by providing Monogram with information on your appliance. If you do not want your appliance data to be sent to Monogram, please advise your technician NOT to submit the data to Monogram at the time of service.

For the period of	Monogram Appliances will replace
Limited two-year warranty	For two years from date of original purchase, we will provide, free of charge, parts and service labor in your home to repair or replace <b>any part of the vent hood</b> that fails because of a manufacturing defect.

## What Monogram will not cover:

- Service trips to your home to teach you how to use the product.
- Replacement of house fuses or resetting of circuit breakers.
- Incidental or consequential damage caused by possible defects with this appliance.
- Replacement of the replaceable filters.
- Damage to the product caused by accident, fire, floods or acts of God.
- Damage caused after delivery.
- Failure of the product if it is used for other than its intended purpose or used commercially.
- Improper installation. If you have an installation problem, contact your dealer or installer. You are responsible for providing adequate electrical, gas, exhausting and other connecting facilities as described in the Installation Instructions provided with the product.
- Product not accessible to provide required service.
- Installation or service for a makeup (replacement) air system.

### EXCLUSION OF IMPLIED WARRANTIES

Your sole and exclusive remedy is product repair as provided in this Limited Warranty. Any implied warranties, including the implied warranties of merchantability or fitness for a particular purpose, are limited to one year or the shortest period allowed by law.

This warranty is extended to the original purchaser and any succeeding owner for products purchased for ordinary home use in the 48 mainland states, Hawaii, Washington, D.C. or Canada. If the product is located in an area where service by a Monogram Authorized Servicer is not available, you may be responsible for a trip charge or you may be required to bring the product to an Authorized Monogram Service location for service. In Alaska the warranty is the same except that it is LIMITED because you must pay to ship the product to the service shop or for the service technician's travel costs to your home.

Some states do not allow the exclusion or limitation of incidental or consequential damages. This limited warranty gives you specific legal rights, and you may also have other rights which vary from state to state. To know what your legal rights are, consult your local or state consumer affairs office or your state's Attorney General.

**Warrantor: GE Appliances, a Haier company, Louisville KY,40225**

**Warrantor in Canada: MC Commercial, Burlington, ON, L7R 5B6**

Staple your receipt here. Proof of the original purchase date is needed to obtain service under the warranty.





# MANUAL DEL PROPIETARIO

**Campana Extractora de Pared Monogram de 36", 48"  
ZVIS361, ZVIS481**

ESPAÑOL

MONOGRAM.COM

# TABLA DE CONTENIDO

INFORMACIÓN DEL MODELO .....	2
SOPORTE AL CLIENTE .....	3
INFORMACIÓN DE SEGURIDAD .....	4
CONTROLES Y CARACTERÍSTICAS .....	6
Controles .....	6
Conexión Wi-Fi .....	6
Conexión con Chef .....	6
CUIDADO Y LIMPIEZA .....	7
Para Su Seguridad .....	7
Filtro de Grasa Metálico .....	7
Superficies de la Campana .....	7
Barra de Luz .....	8
CONSEJOS PARA LA SOLUCIÓN DE PROBLEMAS .....	9
GARANTÍA LIMITADA DE MONOGRAM .....	11

## INFORMACIÓN DEL MODELO

### NÚMEROS DE MODELO

ZVIS361, ZVIS481

### ANOTE LOS NÚMEROS DE MODELO Y SERIE

Los encontrará en una etiqueta debajo de los filtros.

**Antes de enviar esta tarjeta, escriba estos números aquí:**

---

Número de Modelo

---

Número de Serie

Use estos números en cualquier correspondencia o llamada al servicio técnico relacionadas con su electrodoméstico.

# SOPORTE AL CLIENTE

## SITIO WEB DE Monogram™

¿Desea realizar una consulta o necesita ayuda con su electrodoméstico? ¡Intente a través del sitio Web de Monogram™ las 24 horas del día, cualquier día del año! También puede comprar más grandiosos productos de Monogram™ y sacar ventaja de todos nuestros servicios de soporte a través de Internet, diseñados para su conveniencia.

En EE.UU.: **Monogram.com**

---

## REGISTRE SU ELECTRODOMÉSTICO

¡Registre su electrodoméstico nuevo a través de Internet, según su conveniencia! Un registro puntual de su producto permitirá una mejor comunicación y un servicio más puntual de acuerdo con los términos de su garantía, en caso de surgir la necesidad. También puede enviar una carta en la tarjeta de inscripción pre impresa que se incluye con el material embalado.

En EE.UU.: **Monogram.com**.

---

## SERVICIO PROGRAMADO

El servicio de reparación de expertos de Monogram™ está a sólo un paso de su puerta. Conéctese a través de Internet y programe el servicio a su conveniencia cualquier día del año.

En EE.UU.: **Monogram.com** o 800.444.1845

---

## CONECTIVIDAD REMOTA

Para recibir asistencia en relación a la conectividad de su red inalámbrica (para modelos con activación remota), visite nuestro sitio web en **Monogram.com/connect**

---

## PIEZAS Y ACCESORIOS

Individuos calificados para realizar el servicio técnico de sus propios electrodomésticos podrán solicitar el envío de piezas o accesorios directamente a sus hogares (se aceptan las tarjetas VISA, MasterCard y Discover). Ordene a través de Internet durante las 24 horas del día.

En EE.UU.: **Monogram.com/ownership/parts** o 800.444.1845

**Las instrucciones que figuran en este manual cubren los procedimientos que serán realizados por cualquier usuario. Otros servicios técnicos generalmente deberán ser derivados a personal calificado del servicio técnico. Se deberá tener cuidado, ya que una reparación indebida podrá hacer que el funcionamiento no sea seguro.**

---

## CONTÁCTENOS

Si no se encuentra satisfecho con el servicio que recibió de Monogram™, comuníquese con nosotros a través de nuestro sitio Web con todos los detalles, incluyendo su número telefónico, o escriba a: **Monogram.com/contact**

# INFORMACION DE SEGURIDAD IMPORTANTE

## LEA TODAS LAS INSTRUCCIONES ANTES DE UTILIZAR EL APARATO

### ⚠ ADVERTENCIA

Lea todas las instrucciones de seguridad antes de utilizar este producto. No seguir estas instrucciones puede generar un incendio, una descarga eléctrica, lesiones corporales o la muerte.

### ⚠ ADVERTENCIA

#### INSTRUCCIONES GENERALES DE SEGURIDAD

### ⚠ ADVERTENCIA

**PARA REDUCIR EL RIESGO DE INCENDIOS, DESCARGAS ELÉCTRICAS O LESIONES PERSONALES, OBSERVE LO SIGUIENTE:**

- A. Use esta unidad solamente de la manera que el fabricante lo indique. Si usted tiene preguntas, póngase en contacto con el fabricante.
- B. Antes de proporcionar servicio o de limpiar la unidad, desconecte el suministro eléctrico en el panel de servicio y cierre el mecanismo de seguridad para evitar que alguien lo conecte accidentalmente. Cuando no exista un dispositivo de cierre de seguridad, amarre un aviso visible, como una etiqueta al panel de servicio haciendo la advertencia.
- C. No use esta unidad con ningún dispositivo de control de velocidad de estado sólido.
- D. Esta unidad debe estar conectada a tierra.

### ⚠ PRECAUCIÓN

**PARA USO DE VENTILACIÓN GENERAL SOLAMENTE. NO USE PARA EXPULSAR MATERIALES PELIGROSOS O EXPLOSIVOS Y VAPORES.**

### ⚠ ADVERTENCIA

**PARA REDUCIR EL RIESGO DE LESIONES PERSONALES EN EL CASO DE UN INCENDIO DEBIDO A GRASA DE ESTUFA QUEMADA, HAGA LO SIGUIENTE \*:**

- A. CONTENGA LAS LLAMAS con una tapa que ajuste bien sobre la sartén, con una lámina para hacer dulces o con una bandeja metálica, y luego apague el quemador. TENGA CUIDADO DE NO QUEMARSE. Si las llamas no se apagan inmediatamente, EVACUE EL LUGAR Y LLAME AL DEPARTAMENTO DE BOMBEROS.
- B. NUNCA AGARRE UNA SARTÉN O UNA OLLA QUE SE ENCUENTRE EN LLAMAS—Se podría quemar.
- C. NO USE AGUA, incluyendo paños de cocina o toallas humedecidas—esto hará que ocurra una explosión de vapor violenta.
- D. Use un extintor SOLAMENTE si:
  - 1. Usted sabe que tiene un extintor Clase ABC, y si usted ya sabe cómo operarlo.
  - 2. El fuego es pequeño y está contenido al área donde comenzó.
  - 3. El departamento de bomberos ha sido llamado.
  - 4. Usted está luchando contra las llamas con sus espaldas hacia una salida.

\* Basado en "Cooking Safety: Talking Points" (Seguridad en la Cocción: Punto de Conversación) publicado por la NFPA.

### ⚠ ADVERTENCIA

**PARA REDUCIR EL RIESGO DE UN FUEGO DE GRASA DE ESTUFA:**

- A. Nunca deje unidades de superficie desatendidas en configuraciones de calor elevadas o medias. Cuando se está hirviendo algo y ocurren derramamientos, estos podrían causar humo y que los derramamientos grasosos se incendien. Caliente los aceites lentamente a selecciones medias y bajas.
- B. Siempre encienda la campana cuando cocine a fuego alto o cuando flambee alimentos (Crepes Suzette, Cherries Jubilee, Flambeado de Carne con Pimienta).
- C. Limpie el ventilador con frecuencia. La grasa no debe acumularse en el ventilador o en el filtro.
- D. Use una sartén de tamaño apropiado. Siempre use piezas de cocina apropiadas para el tamaño del elemento de la superficie.

### ⚠ ADVERTENCIA

**PARA REDUCIR EL RIESGO DE INCENDIOS, DESCARGAS ELÉCTRICAS O LESIONES PERSONALES, OBSERVE LO SIGUIENTE:**

- A. El trabajo de instalación y el alambrado eléctrico debe hacerlo una persona(s) calificada conforme a todos los códigos y estándares aplicables, incluyendo una construcción aprobada por el inspector de incendios.
- B. Suficiente aire es necesario para una combustión apropiada y para deshacerse de los gases a través de una salida de humo (chimenea) de equipos que queman combustibles para prevenir retroalimentación. Siga las recomendaciones del fabricante del equipo de calentamiento y los estándares de seguridad tales como los publicados por la Asociación nacional de protección de incendios (NFPA), y la Sociedad americana de ingenieros de calefacción, acondicionadores de aire y refrigeración (ASHRAE), y los códigos de las autoridades locales. Cuando corresponda, instale un sistema de reposición (reemplazo) de aire de acuerdo con los requisitos del código local de construcción. Para acceder a soluciones de aire disponibles, visite **Monogram.com**.
- C. Cuando se encuentre cortando o taladrando en la pared o en el techo, no dañe los alambrados eléctricos u otras utilidades escondidas.
- D. Los ventiladores con conductos deben estar siempre ventilados hacia el exterior.

### ⚠ ADVERTENCIA

**PARA REDUCIR EL RIESGO DE INCENDIOS, SOLAMENTE USE CONDUCTOS METÁLICOS.**

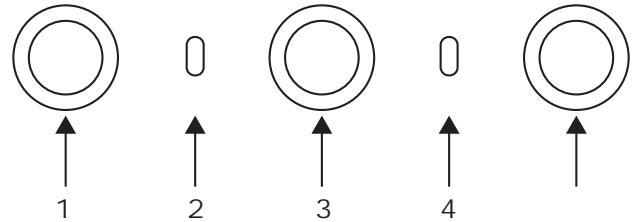
- No intente reparar o reemplazar ninguna parte de su campana a no ser que lo recomiende específicamente este manual. Cualquier otro servicio debe ser referido a un técnico calificado.

## LEA Y GUARDE ESTAS INSTRUCCIONES

# CONTROLES Y CARACTERÍSTICAS

## CONTROLES

1. **Encendido.** Enciende y apaga el ventilador.
2. **Indicador WiFi.**
3. **Ventilador.** Pasa a través de los niveles Low (Bajo), Medium (Medio), High (Alto) y Boost (Aumentado).
4. **Indicador de Chef Connect (Conexión Chef):**
5. **Luz.** Pasa a través de los niveles High, Medium, y Low.
6. **Indicador LED de Calidad del Aire Interior (IAQ).** Cambia de color de acuerdo a los cambios en la calidad del aire interior. La unidad se deberá conectar al Wi-Fi para que el sensor IAQ entre en funcionamiento.



## DESCARGO DE RESPONSABILIDAD

**Limitaciones en el Monitoreo de la Calidad del Aire Interior:** La campana sólo fue diseñada para brindar una conciencia general de los cambios en los niveles de ciertos componentes de la calidad del aire interior cerca de la campana, a diferencia de dar mediciones absolutas de cualquier componente y/o medición contra cualquier estándar dado. Podrá haber variaciones en las lecturas debido a cualquier serie de factores, incluyendo condiciones de ventilación, influencias ambientales, actividades de cocción, y limitaciones del sensor. Cualquier observación de las lecturas brindadas por este producto son con propósitos informativos únicamente, y no podrán ser utilizadas para o en el desarrollo de cualquier consejo, evaluación o diagnóstico profesional de cualquier tipo.

## CONEXIÓN WI-FI

### CONEXIÓN DE LA CAMPANA CON WI-FI ACTIVADO

La campana fue diseñada para brindarle una comunicación recíproca entre el electrodoméstico y el dispositivo inteligente. Al usar la aplicación móvil SmarthQ™, usted podrá controlar funciones de la campana tales como la programación de la velocidad del extractor, intensidad de la luz, y luz nocturna a través de su teléfono inteligente o tablet\*.

Para una mejor experiencia, antes de comenzar:

- Descargue la aplicación **SmarthQ™** y regístrese o cree una cuenta. **NOTA:** Los nuevos usuarios deberán verificar su dirección de correo electrónico para completar el proceso de registro.

- Tenga disponible la contraseña de red de su Wi-Fi hogareño. Para conectar la campana al Wi-Fi, mantenga presionado el botón FAN durante 3 segundos. La luz indicadora de Wi-Fi comenzará a parpadear. Una vez conectada la campana, active la aplicación **SmarthQ™** y presione sobre la campana para comenzar a explorar. Si se indica, realice todas las actualizaciones de software para asegurarse de que la campana cuente con las funciones más recientes. Ante cualquier inconveniente con el proceso de conexión, por favor comuníquese al 800.220.6899 y solicite asistencia en relación a la conectividad inalámbrica.

\* Se requiere el uso de dispositivos y de una red Wi-Fi hogareña que sean compatibles con Apple o Android.

## CONEXIÓN CON CHEF

### CONEXIÓN BLUETOOTH® PARA EL FUNCIONAMIENTO DE CONEXIÓN CON CHEF

#### Para realizar el emparejamiento con otro dispositivo:

Mantenga presionado el botón **Light (Luz)** durante 3 segundos. La luz indicadora parpadeará hasta que la campana esté emparejada con la estufa u otro dispositivo. Si el emparejamiento es realizado con éxito, el indicador de Bluetooth® se encenderá y quedará fijo. Se pausará luego de 2 minutos si el emparejamiento no es completado, luego de lo cual será necesario reiniciar la secuencia de emparejamiento.

#### Para cancelar el emparejamiento:

Mantenga presionado el botón **Light** durante 3 segundos y la luz indicadora dejará de parpadear.

#### Cambio de las Configuraciones de la Sincronización por Omisión:

La Configuración de Sincronización por Omisión de fábrica

para la luz será la más brillante y la configuración del ventilador estará en **OFF**. El usuario podrá modificar las configuraciones manteniendo presionado el botón **Light** durante 10 segundos. Esto permitirá ingresar al Modo de Configuraciones por Omisión. Una vez en este modo, las luces de fondo de todos los botones parpadearán encendiéndose y apagándose de forma indefinida, y el ventilador y la luz pasarán a las configuraciones actuales, de modo que el usuario sepa cuál es el valor por omisión actual. En este momento, configure la luz y el ventilador en los niveles por omisión deseados, usando los botones **Light** y **Fan**. Una vez satisfecho con la selección, mantenga presionado el botón **Power** durante 10 segundos, lo cual permitirá salir de este modo. En este momento, las luces de fondo dejarán de parpadear y el estado del ventilador y de la luz volverán a cambiar a su estado anterior, antes de entrar en Default Settings Mode (Modo de Configuraciones por Omisión).

# CUIDADO Y LIMPIEZA

## PARA SU SEGURIDAD

Antes de realizar el servicio técnico o la limpieza de la unidad, apague el interruptor desde el panel de servicio y bloquee este último para evitar que la corriente se active en forma accidental. Cuando no sea posible bloquear el

panel de servicio, ajuste de forma segura un dispositivo de advertencia visible, tal como una etiqueta, al panel de servicio.

## FILTROS DE CARBÓN (El modo de recirculación sólo está disponible en el modelo de 36")

Si el modelo no tiene ventilación al exterior, el aire se recirculará a través de filtros de carbón desechables que ayudan a remover humo y olores.

Los filtros de carbón deben cambiarse cuando estén visiblemente sucios o decolorados (usualmente después de 6 a 12 meses, dependiendo del uso de la campana).

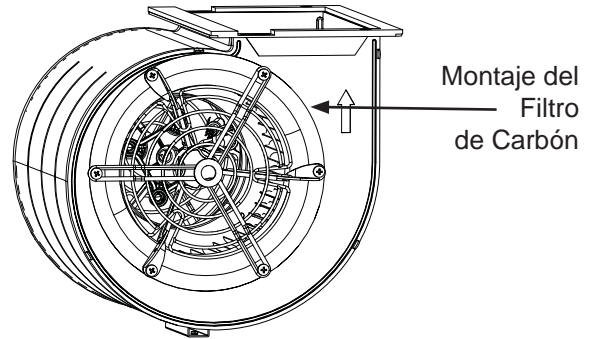
Los filtros de carbón NO se incluyen con la unidad.

**A fin de reducir el riesgo de incendios y descargas, al usar el modo de recirculación utilice sólo el filtro de carbón UXCF91.**

**NOTA:** NO enjuague o coloque los filtros de carbón en el lavavajillas automático.

**Los filtros de carbón no pueden limpiarse. Deben cambiarse.**

Puede solicitar este kit a su proveedor de Monogram.



## FILTRO DE GRASA METÁLICO

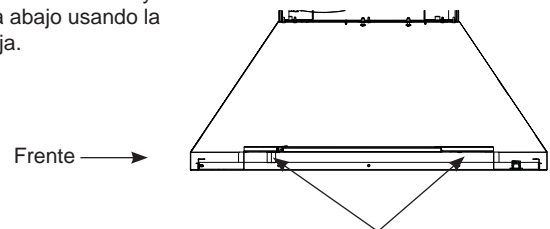
Limpie el filtro de grasa luego de 30 horas en "on" (encendido). Una luz roja de señal lo alertará cuando las 30 horas hayan transcurrido.

Retire los filtros de grasa y lave los mismos de forma manual o en el lavavajillas, usando jabón no abrasivo.

Para realizar la limpieza, sacuda los filtros con agua caliente y jabón o lávelos en el lavavajillas. No use limpiadores abrasivos.

Vuelva a colocar los filtros y asegúrese de que estén calzados de forma correcta en los canales del filtro. Ajuste según sea necesario hasta que la luz roja de señal deje de brillar.

**NOTA:** Para retirar los filtros, presione los mismos hacia atrás y hacia abajo usando la manija.



Para un funcionamiento apropiado, asegúrese de que los filtros estén calzados de forma segura sobre los canales.

## SUPERFICIES DE LA CAMPANA

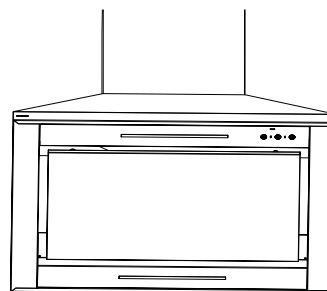
**No use virutas de acero; éstas rayarán la superficie.**

Para limpiar la superficie de acero inoxidable, use agua caliente y jabón o un limpiador o pulidor para acero inoxidable. Siempre limpie la superficie en la dirección del veteado.

Siga las instrucciones del limpiador para su aplicación en la superficie de acero inoxidable. Para consultar sobre la compra de limpiadores o pulidores para electrodomésticos de acero inoxidable, o para buscar la ubicación del vendedor minorista más cercano a su hogar, visite nuestro sitio web: **Monogram.com**.

## BARRA DE LUZ

Para modificar la barra de la iluminación, programe una cita con el servicio técnico. Para acceder a un listado de sitios Web e información de contacto, consulte la página de Soporte al Consumidor en el frente de este manual.





# CONSEJOS PARA LA SOLUCIÓN DE PROBLEMAS

¡Ahorre tiempo y dinero! Primero revise los cuadros que aparecen en las siguientes páginas y es posible que no necesite solicitar reparaciones.

Problema	Causas Posibles	Qué Hacer
El ventilador no funciona cuando se presiona el botón On/Off (encendido/apagado)	Un fusible puede haberse quemado o el interruptor de circuitos puede haber saltado.	Cambie los fusibles o reconfigure los interruptores.
El ventilador se enciende y apaga sin parar	El motor probablemente se está sobrecalentando y se apaga solo. Esto puede dañar el motor.	Verifique que el filtro esté limpio. Si continúa el ciclo de apagado y encendido, llame al servicio técnico. Para acceder a soluciones de aire disponibles, visite <b>Monogram.com</b> .
El ventilador no funciona cuando se presiona el botón On/Off (encendido/apagado) del ventilador o cuando se presiona el botón + o -	El conector del ventilador está suelto o no se encuentra enchufado dentro de su conector correspondiente.	Desconecte la energía hacia la unidad. Levante la tapa del conducto inferior y observe el enchufe conector del ventilador. Si el enchufe del conector del ventilador está suelto, enchúfelo firmemente. Ver las Instrucciones de instalación para la ubicación del enchufe y sobre cómo enchufar el conector.
Ruido de flujo de aire muy fuerte o anormal	Tamaño de conducto incorrecto utilizado en la instalación.	Esta campana requiere un conducto de 8" ZVWS361 o 10" ZVWS481 y una longitud máxima de conducto de 150 pies equivalentes para funcionar correctamente. Utilizar conductos más pequeños o longitudes equivalentes mayores provocará una ventilación inadecuada. Los técnicos de Monogram no pueden corregir este problema si hay una instalación inadecuada.
El ventilador no hace circular el aire o mueve el aire a una velocidad menor de lo normal y/o el ventilador hace ruido de flujo de aire muy fuerte o anormal	Obstrucciones en el conducto.	Verifique que no haya obstrucciones en la ventilación. Controle que la cubierta de pared o casquete de techo tengan una hoja o puerta.
	La hoja del regulador de tiro de la cubierta de pared o casquete de techo puede estar cerrada.	Asegúrese de que el regulador de tiro se mueva libremente. Las hojas del regulador de tiro pueden darse vuelta y no se abrirán por completo cuando esto suceda. Ajustela con la posición original.
	El filtro de grasa metálico y el filtro de carbón (si lo hubiera) pueden estar sucios.	Limpie el filtro de grasa metálico y vuelva a colocar el filtro de carbón (si lo hubiera). Ver Cuidado y limpieza.
	Se requiere suficiente reposición (reemplazo) de aire para que los artefactos con salida de aire funcionen de acuerdo con sus calificaciones energéticas.	Controle los códigos locales de construcción, que podrán requerir o aconsejar enfáticamente el uso de reposición de aire.
Los controles de la campana no funcionan correctamente	Error en el circuito lógico.	Desconecte la energía hacia la campana reconfigurando el interruptor de circuitos. Espere 30 segundos para que los controles vuelvan a configurarse.
El sensor IAQ no está en funcionamiento	La unidad no está conectada a la nube o calibrándose.	Conecte la unidad al enrutador usando la aplicación.
El sensor IAQ cambia cuando no se está cocinando	Otras fuentes de Componentes Orgánicos Volátiles (VOC) y Material Particulado (PM) en la cocina (por ejemplo: velas, vino).	Encienda el ventilador si hay olores no deseados en la cocina; de otro modo no se requiere ninguna acción.

# NOTAS

# GARANTÍA LIMITADA DE MONOGRAM™

## Monogram.com

Todo el servicio de garantía es provisto por nuestros Centros de Servicio de Fábrica, o por un técnico autorizado de Customer Care (Servicio al Cliente). Para programar el servicio a través de Internet, visítenos en **Monogram.com/contact**.

Para realizar el servicio técnico de su campana de cocina se podrá requerir el uso de datos del puerto de abordaje para su diagnóstico. Esto le da al técnico del Servicio de Fábrica de Monogram la habilidad de diagnosticar de forma rápida cualquier problema con su electrodoméstico, y de ayudar a Monogram a mejorar sus productos al brindarle a Monogram la información sobre su electrodoméstico. Si no desea que los datos de su electrodoméstico sean enviados a Monogram, solicitamos que le indique a su técnico NO entregar los datos a Monogram en el momento del servicio.

Por el Período de	Monogram™ Appliances reemplazará
Garantía limitada de dos años	Durante dos años a partir de la fecha original de compra, otorgaremos, en forma gratuita, piezas y servicio técnico en su hogar para reparar o reemplazar cualquier parte de su estufa que falle debido a defectos en la fabricación.

## Qué no cubrirá Monogram™ :

- Visitas a su hogar para enseñarle a usar el producto.
- Reemplazo de fusibles domésticos o la reconfiguración de los interruptores de circuito.
- Daños incidentales o resultantes provocados por posibles defectos de este aparato.
- Reposición de los filtros de reemplazo.
- Daños al producto provocados por accidentes, incendios, inundaciones o fuerza mayor.
- Daños provocados después de la entrega.
- Fallas del producto si se utiliza para un objetivo diferente del previsto o si se usa en forma comercial.
- Instalación, entrega o mantenimiento inadecuados. Si tiene un problema con la instalación, comuníquese con su vendedor o instalador. Usted es responsable de suministrar adecuadas instalaciones eléctricas, de salida y otras conexiones como se describe en las Instrucciones de Instalación incluidas con el producto..
- Producto no accesible para prestar el servicio técnico solicitado.
- Instalación o servicio técnico de sistemas con reposición (reemplazo) de aire.

**EXCLUSIÓN DE GARANTÍAS IMPLÍCITAS — Su única y exclusiva alternativa es la reparación del producto, como se indica en esta Garantía Limitada. Las garantías implícitas, incluyendo garantías implícitas de comerciabilidad o conveniencia sobre un propósito particular, se limitan a un año o al período más corto permitido por la ley.**

Esta garantía limitada se extiende al comprador original y a cualquier dueño subsiguiente de productos comprados para uso hogareño dentro de EE.UU. Si el producto se encuentra en un área donde no se encuentra disponible un proveedor autorizado del servicio técnico, usted será responsable por el costo de un viaje o se le podrá requerir que traiga el producto a una ubicación Autorizada del Servicio Técnico. En Alaska, la garantía limitada excluye el costo de envío o llamadas del servicio a su hogar.

Algunos estados no permiten la exclusión o limitación de daños fortuitos o consecuentes. Esta garantía limitada le da derechos legales específicos y es posible que tenga otros derechos legales que varían entre un estado y otro. Para conocer cuáles son sus derechos legales, consulte a la oficina de asuntos del consumidor local o estatal o al Fiscal de su estado.

**Garante: GE Appliances, a Haier company, Louisville, KY 40225**

Staple your receipt here. Proof of the original purchase date is needed to obtain service under the warranty.

