



GE APPLIANCES

Installation Instructions for your new RAB78B

Polymer Room Air Conditioner Sleeve for AZ Series Zoneline Models Only

Before you begin - Read these instructions completely and carefully.

IMPORTANT – OBSERVE ALL GOVERNING CODES AND ORDINANCES.

Note to Installer – Be sure to leave these instructions with the Consumer.

Note to Consumer – Keep these instructions with your Owner’s Manual for future reference.

For further details, refer to the GE Architects & Engineers Design Data Manual for Zonelines. To obtain a copy of that manual, call the GE Answer Center® at **800.626.2000** or visit us at **www.Zoneline.com**.

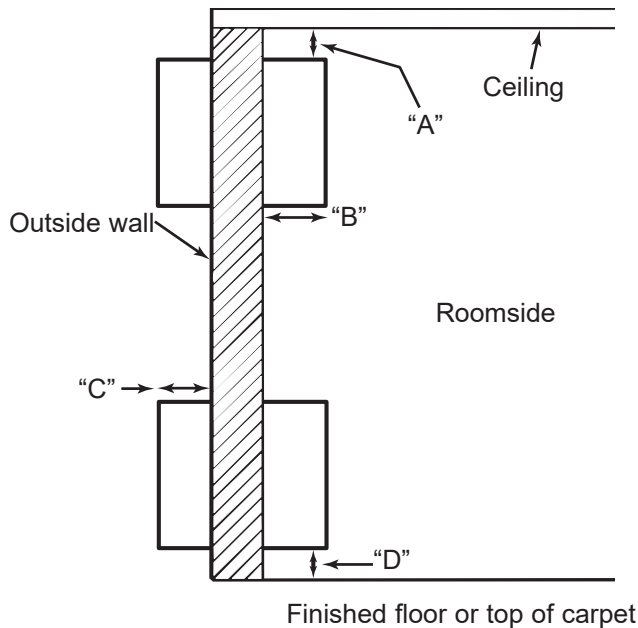
NOTES:

- Handle the sleeve carefully.
- If a sub-base is to be used, it may be desirable to assemble it to the sleeve before securing sleeve to the wall.

SLEEVE LOCATION

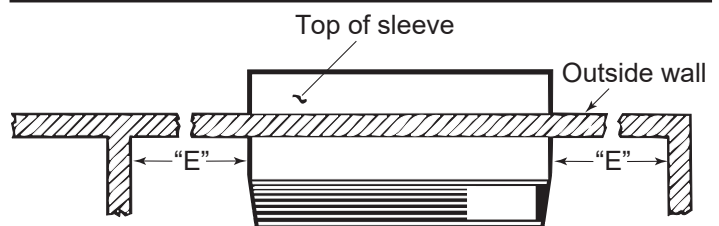
As a general rule the air conditioner should be located in an outside wall to ensure proper distribution of conditioned air. It should be located in a portion of the wall where there is no electrical wiring or plumbing, and where there are no obstructions immediately inside or outside.

CRITICAL DIMENSIONS



DIMENSIONS	RECOMMENDED INSTALLATION CLEARANCE
A	Top of sleeve to finished ceiling - 3" min.
B	Projection of sleeve into room - 1/4" min. (no sub-base) 2 3/8" min. when sub-base is used. If more than 6" of the case projects into the room, a sub-base or other support is recommended.
C	Projection of sleeve to outside - 1/4" min.
D	Height above finished floor or top of carpet - 0" min. without sub-base 3" min. with sub-base
E	Left/Right side of sleeve to adjacent wall - 2" min.

INSTALL SLEEVE LEVEL IN ALL DIRECTIONS



NOTES:

- Care should be taken in location of electrical supply entry in relationship to wall sleeve to ensure access to power once the unit is installed.

Installation Instructions

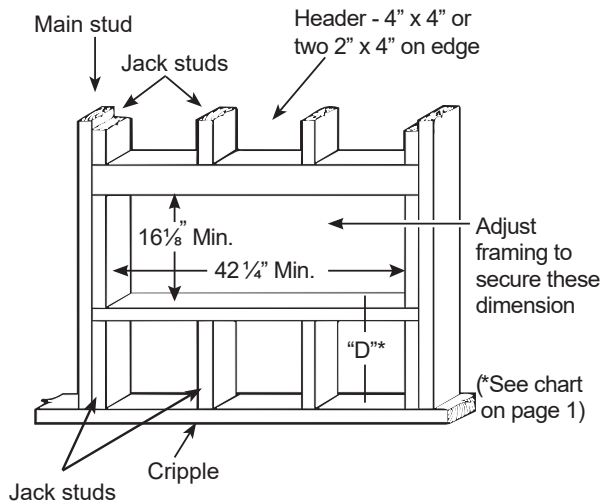
STEP 1: Preparation of the wall

The wall sleeve should be installed during construction and lintels should be used to support the block above the wall case. The sleeve will not support the concrete block or brick. The sleeve is modular in height and width:

- Height – Fits 2 courses concrete block
 – Fits 6 courses standard brick
 – Fits 5 course jumbo brick

Width – Fits approximately 3 stud spaces

For existing construction, wall openings must be made. Wall openings of the proper dimensions are essential to avoid the necessity of fillers or additional framing.



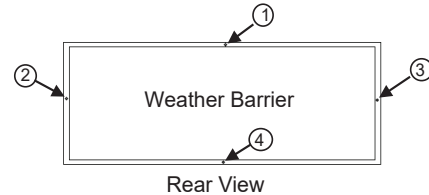
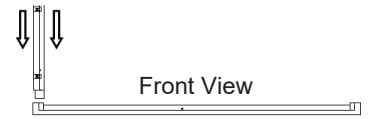
NOTE: Use lintel to support brick, block, etc., above the air conditioner sleeve. (If directly under a window sill, the use of a lintel may not be necessary.)

Minimum Finished Opening Dimensions*		Sleeve Dimensions		
Height	Width	Height	Width	Depth
16 1/8"	42 1/4"	16"	42"	14"

*Dimensions may need to be increased to fit unique situations in the field if using case angles.

STEP 2: Preparation of the RAB78B Sleeve Assemble Wall Sleeve

1. Set the bottom panel on a clean, flat, level surface.
2. Locate left side panel. Align panel in the left bottom panel slot. Insert the left panel into the bottom panel until all tabs lock completely.
3. Locate right side panel. Align panel in the right bottom panel slot. Fully insert right panel into bottom panel until locking tabs engage.
4. Locate top panel and align with top of right and left side panels. Fully insert top panel into right and left side panels until locking tabs engage.
5. (If required) Locate weather barrier and attach to the rear of the assembled sleeve with four (4) supplied push pins.



STEP 3: Installation of the sleeve in the wall opening

Use lintel, when required, to support brick and block above the sleeve.

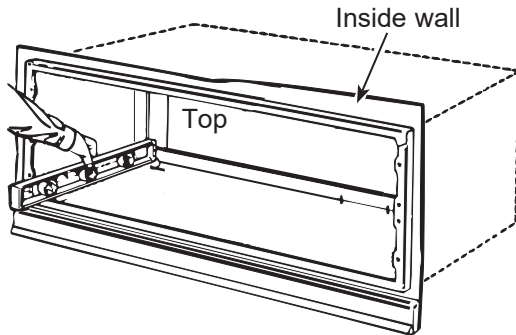
1. Position the sleeve into the wall. Refer to chart on page 1 for roomside projection. The rear (outside) edge of the sleeve should extend at least 1/4" beyond the outside wall to be able to caulk properly and prevent sealing the drain holes in the rear flange of the sleeve, and to facilitate easy installation of an accessory drain, if desired. (If it is desired to have the rear grille flush on the outside, a drip rail must be installed under the sleeve and caulking applied between the drip rail and sleeve.)

STEP 3 (cont.)

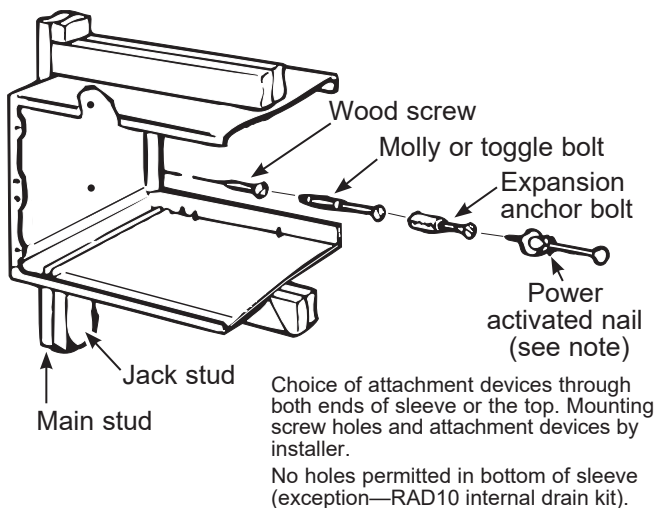
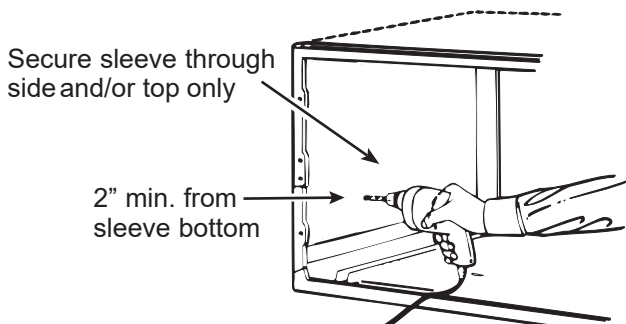
Installation of the sleeve in the wall opening

IMPORTANT:

Install sleeve level from left to right and level from roomside to the outside.



2. Firmly secure the sleeve to the wall structure.
Do not drill any holes in the bottom of the sleeve.



3. Caulk the entire opening on the outside between the sleeve and the building exterior.
4. Caulk the entire opening on the inside between the sleeve and the building interior.

STEP 3 (cont.)

Installation of the sleeve in the wall opening

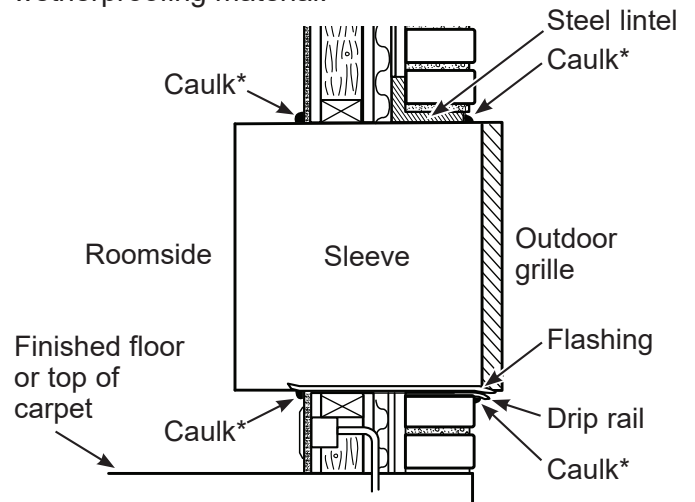
NOTE:

When using an explosive actuating fastening tool, a special nail (Ref. Ramset #1516SD drive pin 2-1/2" lg. - 9/64" dia. with 7/8" dia steel washer) should be used. No equipment or method should be used that is not in compliance with Federal Register Volume 39, No. 125 or American National Standard Safety Requirements for Power Actuated Fastening System (ANSI A10.3-1977)

Power Level of the case load should not be greater than power level 1 identified by a load color gray.

STEP 4: Weatherproofing

Weatherproof gaps between the exterior and interior walls and the sleeve with caulking or equivalent weatherproofing material.



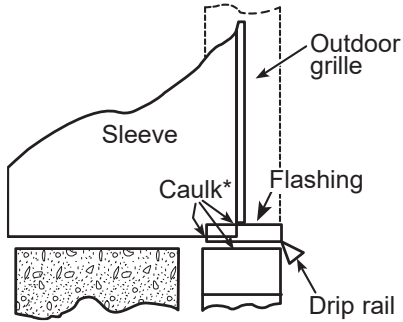
NOTE:

*It is critical to caulk around perimeter of wall sleeve on all four sides on the outside and the roomside where it joins the building to prevent air and water infiltration.

**STEP 4 (cont.)
Weatherproofing**

For installation in extra thick walls

1. If the sleeve is being installed in a thick wall, where the sleeve is recessed more than 3", a sleeve extension with splitters aligned with the chassis condenser end sheets must be used.
2. If the sleeve is being installed in a wall where the recess is 3" or less, and an extended wall sleeve is not used, flashing must be installed under the sleeve and extend up 2" on each side. The flashing must include a drip rail as illustrated in the figure below.

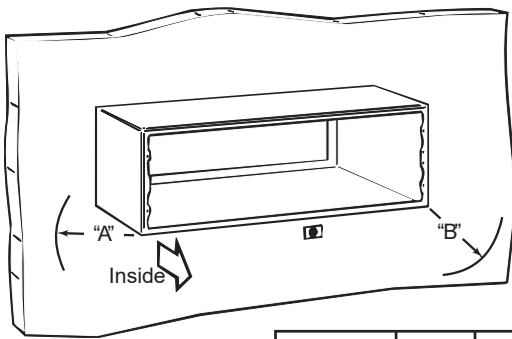


NOTE:

***It is critical to caulk around perimeter of wall sleeve on all four sides where it joins the building to prevent air and water infiltration.**

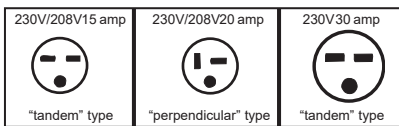
ELECTRICAL REQUIREMENTS

Provisions should be made to have the proper electrical outlet near the sleeve. All wiring should be made in accordance with local codes and regulations. The line cord included with the chassis (if used) will extend to a wall receptacle located within the area shown in tabulation below.



Model	"A"	"B"
AZ Series	21"	58"

Wall Receptacles



All wiring should be made in accordance with local electrical codes and regulations. See the Owner's Manual for how to connect electrical supply.

NOTE:
Aluminum wiring in a structure may pose special problems - consult a qualified electrician.

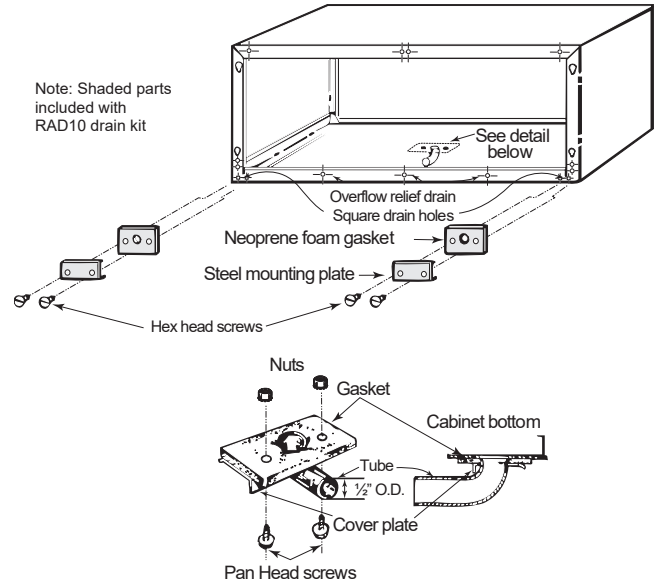
DRAIN KIT

If it is necessary to install a drain kit on this wall sleeve, the following kit is available:

RAD10 Internal/External Drain

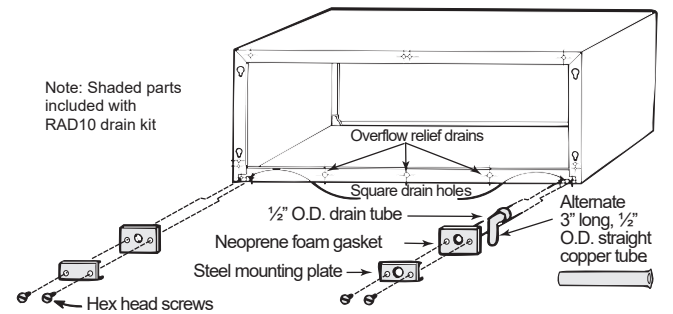
1. With an "Internal Drain", the condensate drain tube must be connected to an internal drain system in the building.

**WALL SLEEVE WITH RAD10 DRAIN UNIT
INTERNAL DRAIN**



2. With an "External Drain" (which may be connected to a field supplied drain line), condensate water can be drained away from the unit and building.

**WALL SLEEVE WITH RAD10 DRAIN UNIT
EXTERNAL DRAIN**



NOTE:

It may be desirable or necessary to install the drain kit on the sleeve prior to installing the sleeve into the wall.

SCREW	SCREW
Hex Head EXTERNAL DRAIN	Pan Head INTERNAL DRAIN