

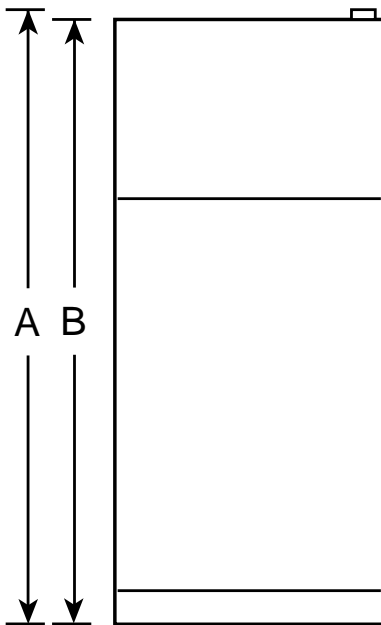


GE Appliances

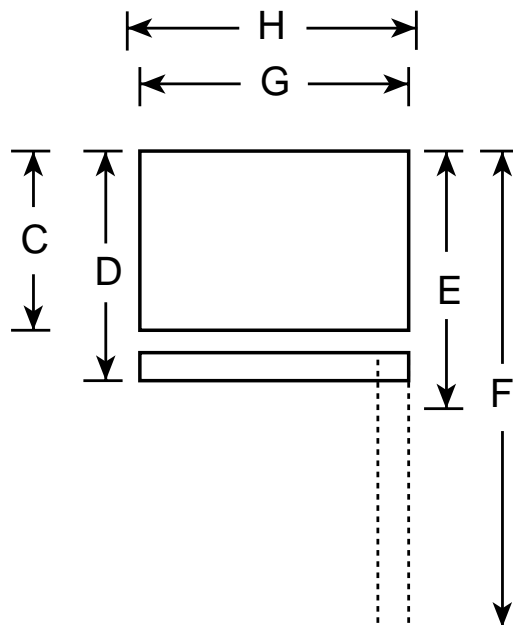
## GTS18SBP – GE 17.9 Cu. Ft. Top-Freezer Refrigerator

Dimensions (in inches)

Front View



Top View



Overall Dimensions	Height to top of hinge (in.) <b>A</b>	<b>66-5/8</b>
	Height to top of case (in.) <b>B</b>	<b>66-1/8</b>
	Height to mid-freezer (in.)	<b>53-15/16</b>
	Case depth without door (in.) <b>C</b>	<b>27-1/2</b>
	Case depth less door handle (in.) <b>D</b>	<b>30-1/4</b>
	Case depth with door handle (in.) <b>E</b>	<b>32-1/8</b>
	Depth with fresh food door open 90° (in.) <b>F</b>	<b>58-1/8</b>
	Width (in.) <b>G</b>	<b>29-1/2</b>
	Width with door open 90° less door handle (in.) <b>H</b>	<b>30</b>
Air Clearances	Each side (in.)	<b>1/8</b>
	Top (in.)	<b>1</b>
	Back (in.)	<b>1</b>

**Note: All Top-Freezer No-Frost Right-Hand Refrigerator Doors:** As you face the front of the refrigerator, the handle is on your left and the hinges are on your right.  
**All Top-Freezer No-Frost Left-Hand Refrigerator Doors:** As you face the front of the refrigerator, the handle is on your right and the hinges are on your left.



Total volume and shelf area are calculated by the Association of Home Appliance Manufacturers' standards.



Listed by Underwriters Laboratories

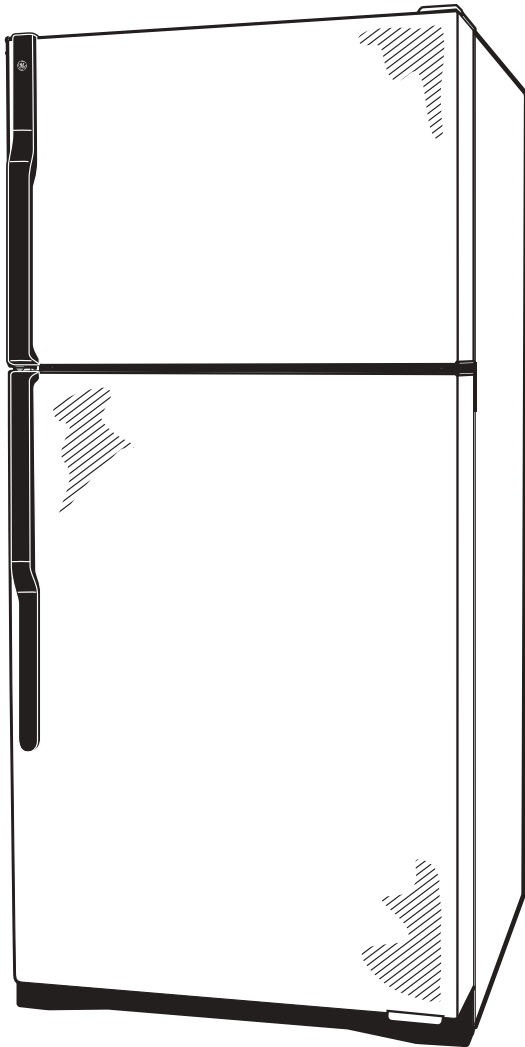


For answers to your Monogram®, GE Profile™ or GE® appliance questions, visit our website at [GEAppliances.com](http://GEAppliances.com) or call GE Answer Center® service, 800.626.2000.



**GE Appliances**

## **GTS18SBP – GE 17.9 Cu. Ft. Top-Freezer Refrigerator**



### **Features and Benefits**

- Stainless Steel – Conveys a look of utmost polish and sophistication.
- Spill Proof Glass Shelves – Shelves slide out, and spills stay put.
- Illuminated Upfront Slimline Temperature Controls – Offer maximum style and convenience.
- Adjustable Humidity Vegetable/Fruit Crisper – Provides the ideal storage environment for fruits and vegetables.
- Automatic Moisture Control – Electronic sensors automatically control moisture, adjusting to room humidity changes.
- Spill Proof Freezer Floor – Seamless design offers easy cleanup.
- Adjustable Gallon Door Bins – Makes room for milk and other gallon-size containers.
- NeverClean™ Condenser – Condenser coils are encased, so they don't require cleaning in a normal environment.
- Model GTS18SBPBS – Stainless steel