



Portable AIR CONDITIONER

IMPORTANT SAFETY INFORMATION 3

CONTROLS 4

CARE AND CLEANING 9

INSTALLATION INSTRUCTIONS 11

TROUBLESHOOTING 15

WIFI SETUP 16

LIMITED WARRANTY 17

CONSUMER SUPPORT 18

OWNER'S MANUAL

PPHV10WWF
PPHH12WWF

Write the model and serial numbers here:

Model # _____

Serial # _____

They are on the label on the back of the unit.

THANK YOU FOR MAKING GE APPLIANCES A PART OF YOUR HOME.

Whether you grew up with GE Appliances, or this is your first, we're happy to have you in the family.

We take pride in the craftsmanship, innovation and design that goes into every GE Appliances product, and we think you will too. Among other things, registration of your appliance ensures that we can deliver important product information and warranty details when you need them.

Register your GE appliance now online. Helpful websites and phone numbers are available in the Consumer Support section of this Owner's Manual. You may also mail in the pre-printed registration card included in the packing material.



IMPORTANT SAFETY INFORMATION

READ ALL INSTRUCTIONS BEFORE USING THE APPLIANCE

IMPORTANT SAFETY INSTRUCTIONS

⚠ WARNING To reduce the risk of fire, electrical shock, injury to persons, or damage when using the air conditioner, follow basic precautions, including the following:

- Read all of the instructions before using this appliance.
- Plug into a grounded 3 prong outlet.
- Do not remove ground prong.
- Do not use an adapter.
- Do not use an extension cord.
- Do not operate the air conditioner if it has a damaged cord or plug, if it is not working properly, or if it has been damaged or dropped.
- The air conditioner should be serviced only by qualified service personnel. Call an authorized service company for examination, repair, or adjustment.
- Disconnect power before servicing.
- Disconnect power before cleaning.

NOTE: Turning off power by pressing the Power button does NOT disconnect the appliance from the power supply.

- Do not install or use the air conditioner in any area where the atmosphere contains combustible gases or where the atmosphere is contaminated. Avoid any chemicals coming in contact with your air conditioner.
- Do not store anything directly on top of the air conditioner.
- Use two or more people to move and install air conditioner.
- Never operate the air conditioner without the filters in place.
- Do not use the air conditioner near a bathtub, shower or wash basin or other wet area.
- This appliance is not intended for use by persons (including children) with reduced physical, sensory or mental capabilities or lack of experience and knowledge, unless they have been given supervision or instruction concerning use of the appliance by a person responsible for their safety.
- Children should be supervised to ensure that they do not play with the appliance.



⚠ WARNING Risk of Fire or Explosion. This unit contains flammable refrigerant. Additional safety precautions must be followed.

- Do not use means to accelerate the defrosting process or to clean, other than those recommended by the manufacturer.
- The appliance shall be stored in a room without continuously operating ignition sources (for example: open flames, an operating gas appliance or an operating electric heater).
- Do not pierce or burn refrigerant tubing. Be aware that refrigerants may not contain an odor.
- Keep ventilation openings clear of obstruction.
- When handling, installing, and operating the appliance, care should be taken to avoid damage to the refrigerant tubing.

- Do not drill holes in the unit.
- Maintenance, cleaning, and service should only be performed by technicians properly trained and qualified in the use of flammable refrigerants.
- GE Appliances does not support any servicing of the air conditioner.
- Dispose of air conditioner in accordance with Federal and Local Regulations. Flammable refrigerants require special disposal procedures. Contact your local authorities for the environmentally safe disposal of your air conditioner.

⚠ WARNING How to Insert the Batteries in the Remote Control

- Remove the battery cover by sliding it according to the arrow direction.
- Insert new batteries, making sure that the (+) and (-) of battery are installed correctly.
- Reattach the cover by sliding it back into position.

NOTES:

- Use 2 "AAA" (1.5 volt) alkaline batteries. Do not use rechargeable batteries
- Remove the batteries from the remote control if the system is not going to be used for a long time.
- Do not mix old and new batteries. Do not mix alkaline, standard (carbon-zinc) or rechargeable (ni-cad, ni-mh, etc) batteries.

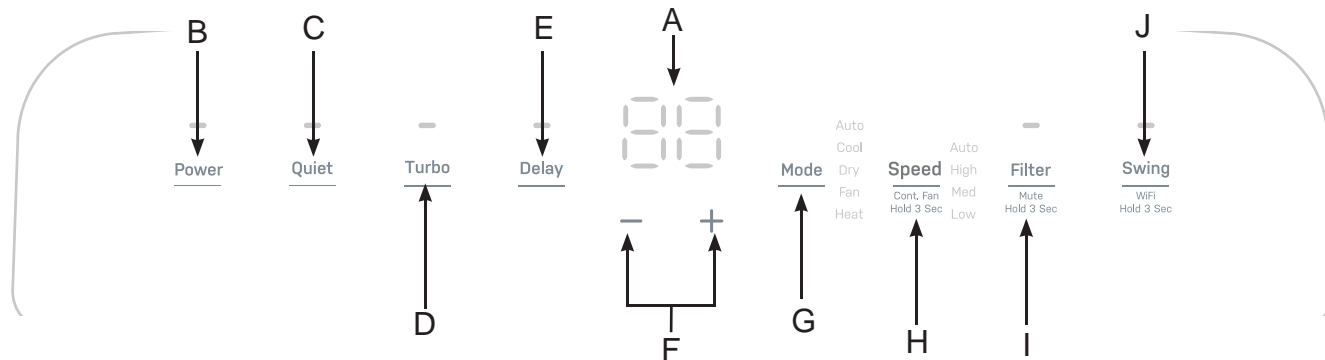
⚠ WARNING Caution for Ingestion. The battery may cause suffocation if swallowed by children.

READ AND SAVE THESE INSTRUCTIONS

Controls

Features and appearance will vary.

Lights next to the buttons on the air conditioner control panel indicate the selected settings.



A. Control Panel Display

Displays the Set Temperature in degrees Fahrenheit, degrees Celsius, or the hours remaining in a Time Delay.

B. Power Button

Turns the air conditioner on or off.

NOTE: Turning off power by pressing the **Power** button does NOT disconnect the appliance from the power supply.

Press the **Power** Button. The power indicator and Temperature display will illuminate. Select desired settings. After one minute, the display lights will turn off. Press any button on the unit or the remote, the display will illuminate. Then press corresponding buttons to change unit function.

Note: If changing functions from the remote, it may require multiple presses to synchronize remote to the unit.

C. Quiet Mode

The **QUIET** function is used for lowering the fan speed to the lowest speed in Heat and Cool mode. Quiet mode will ensure the most quiet mode of operation to satisfy the set temperature and provide room comfort in the space to be cooled or heated. It is normal for the unit to operate for a longer period at lower energy consumption levels to achieve desired temperature. Pressing **QUIET/MODE/FAN** button again will exit the **QUIET** function and default to auto speed and cool mode.

D. Turbo Mode (on some models)

The **Turbo** function is used for speeding up the air flow to the highest speed in heating and cooling mode. Pressing the **Turbo** button again, **Fan** button, or **Mode** button will exit the Turbo function.

NOTE: Turbo is available in heating or cool mode.

E. Delay Pad

Delay ON – When the air conditioner is off, it can be set to automatically **turn on** in 1 to 24 hours at its previous mode and fan settings.

Delay OFF - When the air conditioner is on, it can be set to automatically turn off in 1 to 24 hours.

How to set: Press the Delay pad. Each touch of the increase + / Decrease – pads will set the timer in 1-hour intervals.

To review the remaining time on the Delay timer, press the Delay pad. Use the Increase + / Decrease – pads to set a new time if desired.

To cancel the timer, press **Decrease** – pad until the set time is “—” or Press the **Delay** button twice.

F. Temperature Set Controls

Adjusts the Temperature or Hours in Time Delay.

To Set the Temperature:

Press the **Mode** button until the Cool mode is selected.

Press the **Increase + or Decrease -** buttons to select the desired temperature.

NOTE: The temperature cannot be set when the air conditioner is in either Fan or Dry mode.

NOTE: The **Increase + or Decrease -** buttons, when pressed at the same time, allow you to select between displaying the temperature in degrees Fahrenheit or degrees Celsius. Hold the buttons for 5 seconds to change between F and C.

G. Mode Button

Press the Mode button to toggle among the operating options. The corresponding indicator will illuminate: Auto (on some models) – The unit will automatically choose the mode of operation (Cool, Dry, Fan, or Heat).

Cool – Cools the room to the set temperature

Fan – Circulates the air in the room without cooling

Dry – Reduces the humidity in the room

Heat (on some models) – Heats the room to the set temperature

Controls

H. Fan Speed

The fan speed can be adjusted from Low, Medium, to High speed when the air conditioner is in operation. Auto adjusts the fan speed automatically to provide ideal cooling based on the room temperature.

Press and hold the **Speed** button for 3 seconds to change into Fan Only (Continuously running) mode.

NOTE: The Speed button cannot be adjusted when the unit is in Sleep mode.

Press the **Speed** button to toggle among the three speeds. The corresponding fan speed indicator will illuminate.

I. Filter Reset Button

This feature automatically notifies you that the air filter must be cleaned. The indicator light will come on after 250 hours of operation. Clean the air filter (refer to Care and Cleaning section, Page 9), place it back in the front panel, and press the Filter Reset button. The light will turn off.

- Mute UI sounds: Press and hold the **Filter Reset** Button for 3 seconds to mute and unmute the unit

J. Swing

The louver on your portable air conditioner will open automatically when you turn it on (do not pry it open or push it shut).

1. When your AC is turned on, the louver will be at position 1 (when in cool mode) or 3 (when in heat mode).
2. Pressing the Swing button will cycle the louver between 3 fixed positions.

- **To turn on Wi-Fi:** Press and hold the Swing button for 3 seconds to turn on the Wi-Fi function.
- Refer to the “Wi-Fi Set up” section for more information on how to connect your Portable AC to your router and installing the HQ App.

When the air conditioner is turned on, it will automatically start in the last mode and **Fan Speed** setting selected.

Cool Mode

Use the Cool mode for cooling.

To set the Cool mode:

1. Press the **MODE** button until the Cool indicator light is lit.
2. Press the **SPEED** button to set **AUTO, HIGH, MEDIUM, or LOW** fan speed.
3. Press **+** or **-** to set the desired temperature.

After settings have been made, the display will be turned off automatically after a brief period, press any button to wake up the display.

The temperature control is used to maintain the room temperature. The compressor will cycle on and off to keep the room at the set level of comfort. Set the temperature control at a lower number and the indoor air will become cooler. Set the temperature control at a high number and the indoor air will become warmer.

NOTE: If the air conditioner is off and is then turned on while set to Cool, it will take approximately 3 minutes for

the compressor to start and cooling to begin.

Cooling Descriptions

- **For Normal Cooling** – Select the **Cool** mode and **AUTO, HIGH, MEDIUM, or LOW** fan speed with a middle set temperature.
- **For Maximum Cooling** – Select the **Cool** mode and **HIGH** fan speed with a lower set temperature.
- **For Quieter & Nighttime Cooling** – Select the **Quiet** mode on the UI interface, device will automatically go into **LOW** fan speed with a middle set temperature.

Power Outage Recovery Feature

In the case of a power outage or interruption, the unit will automatically re-start in the settings last used after the power is restored.

NOTE: If the Delay was set before the power outage, it will need to be reset after power is restored.

Controls

Dry Mode—Dehumidification

Use the Dry mode to provide dehumidification only.

Choose dry mode to remove excess moisture from the air. Water will condense inside the appliance and drain out the back. The humidity level will be automatically set and can not be modified in dry mode. Continuous drain hose (included) should be installed on the upper drain outlet.

To set the Dry mode:

- Press the **MODE** button until the dry indicator light is lit.
-

NOTE:

1. When the set temperature is more than 2 degrees below the room temperature, the fan speed can be selected.
 2. The display will show the the set temperature this mode.
-

FAN Mode

Use the FAN mode to provide air circulation and filtering without cooling.

To set the FAN mode:

Press the **SPEED** button until the desired indicator light for high, medium, or low fan speed is lit.

Since fan only setting do not provide cooling, a set temperature will not be displayed. After FAN speed has been set, the display will change back to show the room temperature.

The exhaust hose and window kit do not need to be installed when operating in fan mode.

HEAT Mode (for Heat/Cool models only)

Use the Heat mode at Auto, Low, Medium, or High Speed for heating. Use the Temperature Increase (+) /Decrease

(-) buttons to set the desired temperature.

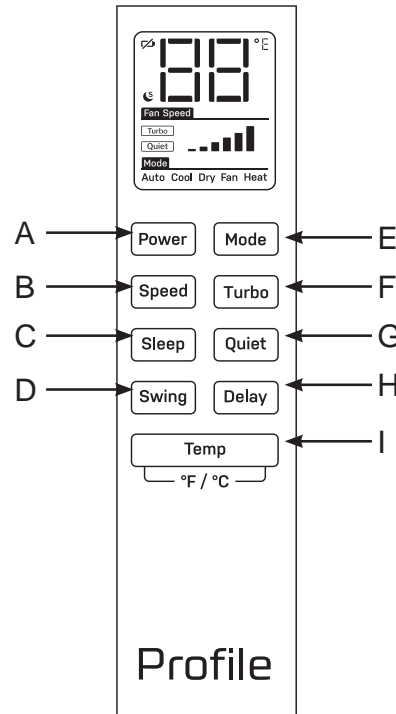
Turbo Mode

The **Turbo** function is used for speeding up the air flow to the highest speed in heating and cooling mode. Pressing **Turbo** again or **Speed** will exit the Turbo function and default to auto speed and cool mode.

In the Turbo Mode, it sets the unit to run in cool mode at the lowest temperature setting with maximum fan speed

for 1 hour. The turbo mode cools or heats the room quickly.

Controls (on some models)



Remote Control

- Insert the two batteries (provided).
- Aim the remote control at the signal receiver on the control to operate the air conditioner.

A. Power

Turns the air conditioner on or off.

NOTE: Turning off power by pressing **Power** button does NOT disconnect the appliance from the power supply. Press the **Power** button. The Power indicator will illuminate.

B. Speed

The **Speed** can be adjusted from Auto, Low, Medium, to High speed when the air conditioner is in operation.

Press the **Speed** button to toggle among the four speeds. The corresponding fan speed indicator will illuminate.

C. Sleep

Press the **Sleep** button to activate sleep mode, the air conditioner will increase the temperature in cool mode (or decrease the temperature in heat mode) gradually for one hour, then return to the original temperature after a total of eight hours.

After maintaining the set temperature for 30 minutes, the air conditioner gradually increases the temperature for one hour, then returns to the original setting after a total of eight hours.

D. Swing

The louver on your portable air conditioner will open automatically (do not try it open or push it shut). When your AC is turned on, the louver will swing up and down.

Press the **Swing** button to fix the louver in your desired position.

E. Mode

Press the **Mode** button to toggle among the operating options. The corresponding indicator will illuminate:

Auto (on some models) – When you set the air conditioner to AUTO mode, it will automatically select cooling, heating (cooling only models excluded), operation depending on what temperature you have selected and the current room temperature.

Cool – Cools the room to the set temperature

Dry – Reduces the humidity in the room

Fan – Circulates the air in the room without cooling

Heat (on some models) – Heats the room to the set temperature

Controls (on some models)

Remote Control (Cont)

F. Turbo

Pressing the **Turbo** button again, **Fan** button, or **Mode** button will exit the Turbo function.

NOTE: A set temperature must be lower than room temperature in cooling, or higher than room temperature in heating, otherwise the unit won't start.

G. Quiet

The **Quiet** Function is used for lowering the fan speed to the lowest in Cool and Heat mode. Pressing **QUIET/MODE/FAN** button again will exit the **QUIET** function.

H. Delay

Delay ON - When the air conditioner is off, it can be set to automatically **turn on** in 1 to 24 hours at its previous mode and fan settings.

Delay OFF—When the air conditioner is on, it can be set to automatically turn off in 1 to 24 hours.

How to set: Press the **Delay** button. Each press of the **Increase + / Decrease –** will set the timer in 1-hour intervals.

I. Temperature

Adjusts the Temperature or Hours in Time Delay.

To Set the Temperature:

- Press the **MODE** button until the Cool mode is selected.
- Press the **+** or **–** buttons to select the Temperature.

NOTE: The temperature cannot be set when the air conditioner is in Fan mode.

NOTE: The Air Conditioner LED display will turn off 1 minute after the last button is pushed. To Turn on the LED display, press any button on the unit or the remote, then press corresponding function to change settings. The remote may require multiple pushes to synchronize remote the unit.

NOTE: Low Battery Sign - The batteries are discharged or weak. Please replace the batteries.

Care and Cleaning

Cleaning

⚠ WARNING



Electrical Shock Hazard

- Disconnect power before cleaning.
- Failure to do so can result in death or electrical shock.

1. Unplug or disconnect power.
2. Use only a soft cloth dampened with water to clean the cabinet.

NOTE:

- Do not use a liquid or spray cleaner to clean the air conditioner.
 - DO NOT use chemicals, abrasives, ammonia, chlorine bleach, concentrated detergents, solvents or scouring pads. Some of these chemicals/items may damage and/or discolor your air conditioner.
3. Dry thoroughly with a soft cloth.
 4. Plug in or reconnect power.

Air Filter

The air filters should be cleaned at least every two weeks for your unit to operate at optimum efficiency.

⚠ CAUTION

DO NOT operate the air conditioner without a filter because dirt and lint will clog it and reduce performance.

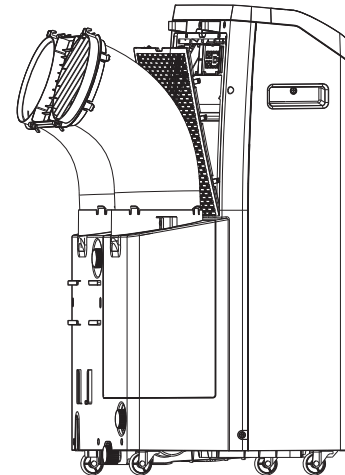
To remove:

1. Unplug or disconnect power.
2. Pull to remove the filter panels.
3. Wash or vacuum the dust from the air filters.

NOTE: If washed, gently shake the filter to remove the excess water and dust particles trapped in the filter.

4. Replace both filter panels
5. Plug in or reconnect power

Filter Panel



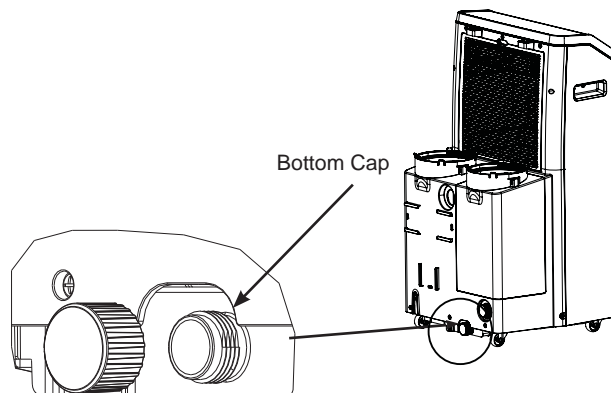
Care and Cleaning

Internal Water Tank

The Water Full indicator (“FL” on the control panel display) illuminates when the internal water tank has filled with condensed water. The unit will not cool until the tank has been emptied to prevent overflow and possible damage to the floor under the AC.

To Empty the Internal Water Tank:

1. Unplug or disconnect power.
2. Place a shallow 1 1/2 quart or larger pan (not included) below the bottom cap located on the back (near the bottom) of the air conditioner.
3. Remove the bottom cap and drain the water tank.
4. Screw the bottom cap snugly into place.
5. Plug in or reconnect power.

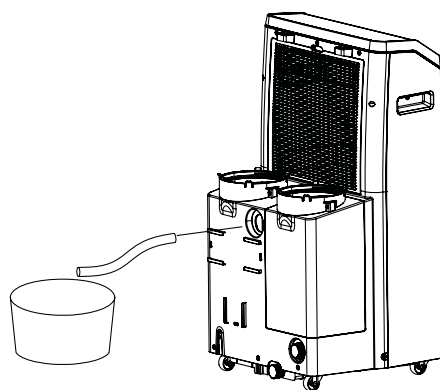


Continuous Draining

(optional and recommended for Dry mode)

1. Remove the top drain cap.
2. Connect the included drain hose to the upper drain outlet.
3. Route the drain hose to a suitably sized container* or a floor drain.

* Be sure to use a large container (3 gallons or larger is recommended) and monitor the water level in the container continuously. The unit will not shut off when the container is full. An overflowing container can cause flooding and damage to the floor.”



Storage

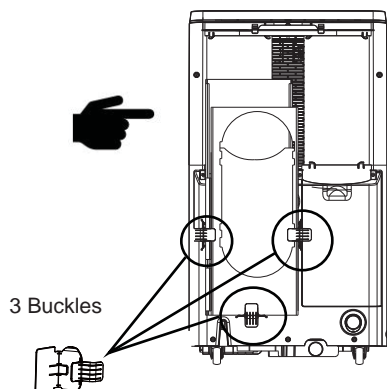
If the unit is not being used for a long period of time, please store it following the below steps.

Step 1: Empty the Internal Water Tank:

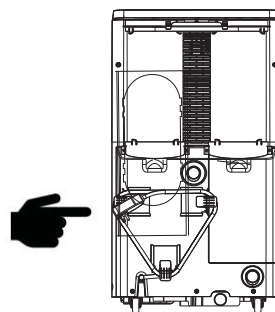
1. Unplug or disconnect power.
2. Drain the water from the water tank. (See “Internal Water Tank section” above.)

Step 2: Storage the Window slides:

1. Make sure the 3 buckles are installed already.
2. Insert the window slides in the right place.



Step 3: Circle the power cord on the buckles.



Step 4: Packaging the unit:

1. Use the original packaging to repack the unit to avoid a buildup of dust or dirt.
2. Store the air conditioner in a cool, dry location.

Installation Instructions

Questions? Call GE Appliances at 866.907.1655 or visit our Website at: GEAppliances.com.

BEFORE YOU BEGIN

Read these instructions completely and carefully.

- **IMPORTANT** — Save these instructions for local inspector's use.
- **IMPORTANT** — Observe all governing codes and ordinances.
- **Note to Installer** – Be sure to leave these instructions with the Consumer.
- **Note to Consumer** – Keep these instructions for future reference.
- **Skill level** – Installation of this appliance requires basic mechanical skills.
- **Completion time** – Approximately 1 hour
- We recommend that two people install this product.
- Proper installation is the responsibility of the installer.
- Product failure due to improper installation is NOT covered under the Warranty.
- You MUST use all supplied parts and use proper installation procedures as described in these instructions when installing this air conditioner.

ELECTRICAL REQUIREMENTS



These models require a 115/120-volt AC, 60-Hz grounded outlet protected with a 15-amp time-delay fuse or circuit breaker.

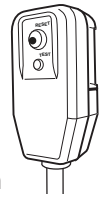
The 3-prong grounding plug minimizes the possibility of electric shock hazard. If the wall outlet you plan to use is only a 2-prong outlet, it is your responsibility to have it replaced with a properly grounded 3-prong wall outlet.

⚠ CAUTION

Do not, under any circumstances cut or remove the third (ground) prong from the power cord. Do not change the plug on the power cord of this air conditioner.

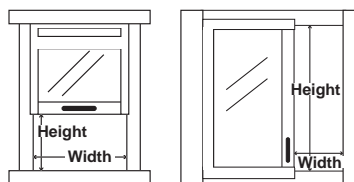
Aluminum house wiring may present special problems—consult a qualified electrician.

Power cord includes a current interrupter device. A test and reset button is provided on the plug case. The device should be tested on a periodic basis by first pressing the **TEST** button and then the **RESET** button while plugged into the outlet. If the **TEST** button does not trip or if the **RESET** button will not stay engaged, discontinue use of the air conditioner and contact a qualified service technician.

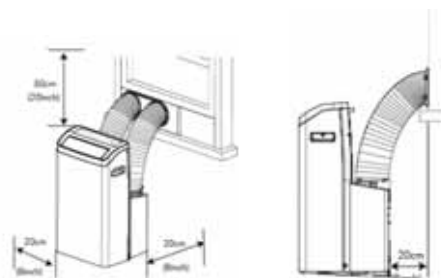


Location Requirements

- The air conditioner must be installed near a grounded receptacle, and the overflow drain outlet on the rear must be accessible.
- Place the air conditioner on a smooth, level floor which is strong enough to support the unit. Make sure the unit is level to minimize noise and vibration. Do not place the air conditioner on an unstable or raised surface because it could fall and cause damage or injury.
- In order to get optimal performance, there are optimal distance requirements: 8" between the unit and the exterior wall and 8" between the other sides of the unit.
- Keep the air conditioner, especially the exhaust hose, free of any obstructions such as drapes, curtains, blinds, etc. Do not cover air inlets or outlets or the remote control receiver on the control panel.
- Do not place the air conditioner in direct sunlight or near a heat source such as baseboard heaters, stoves, etc.
- The window panel can be installed in a window with a minimum 20" to a maximum 63" opening.
- The air conditioner requires 8" of space on the sides and back for proper air circulation. The louver blade should be 20" away from obstacles.
- The appliance is intended only for indoor use (excluding laundry rooms).

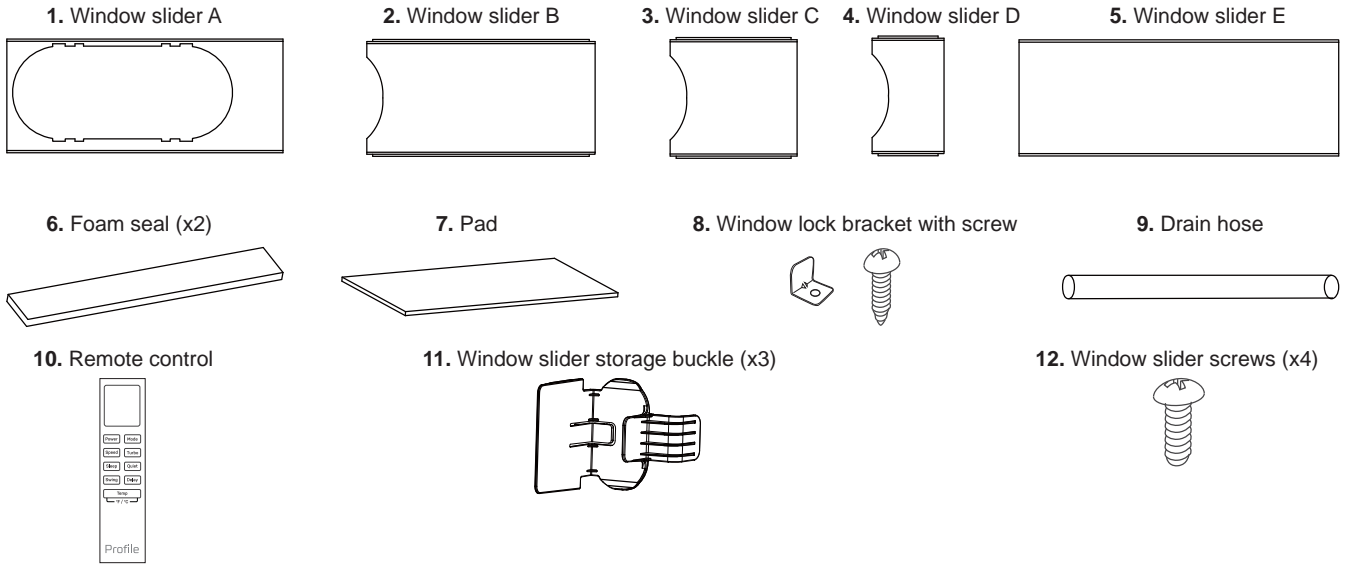


Double Hung or Sliding
20" min - 63" max width



Installation Instructions

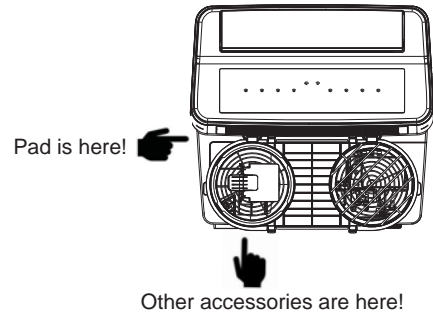
ACCESSORIES INCLUDED



CAUTION

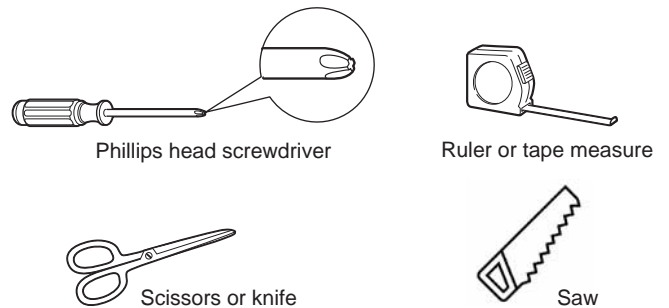
- No.1~No.5, you could find them in the box alongside A/C unit.
- No.6 and No.8~No.12 are collected in a bag and the bag is put in the hose.
- No.7 is Pad, it is put in the back of the unit.

Please take all of the accessories OUT of the unit before you install the unit. Otherwise, it could cause damage or worsen performance.



Required Tools

- Medium sized Phillips screwdriver
- Tape measure or ruler
- Knife or scissors
- Saw (if the window sliders need to be cut to size)



WARNING

Do not leave this appliance unattended in a space where people or animals who cannot react to a malfunction are located. A malfunction, such as the exhaust hose becoming dislocated, can cause extreme overheating or death in an enclosed, unattended space.

Installation Instructions

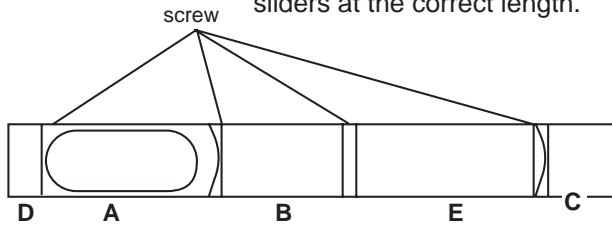
WINDOW KIT ASSEMBLY

Step one: prepare the window sliders

1. Measure the window opening where the window kit will be installed.

NOTE: Window kit length range 51cm ~ 160cm (20" ~ 63")

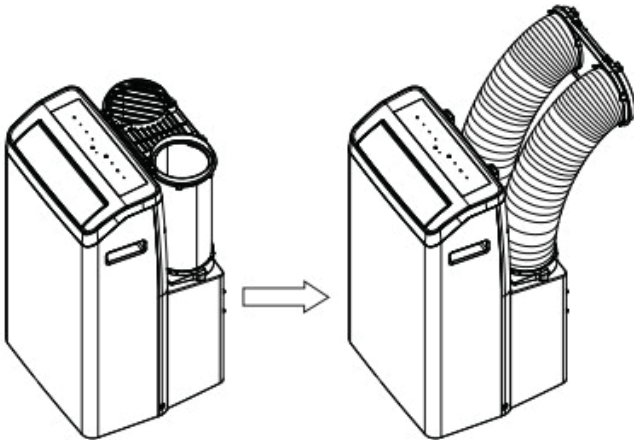
2. Assemble as many sliders as necessary to fit the window. If the window opening is less than the minimum length of a single slider, use the slider that has the hole in it and cut it to the correct length. Make sure not to cut the end that has the hole as this is necessary to attach the exhaust hose adapter.
3. Use the window slider bolts to secure the window sliders at the correct length.



EXHAUST HOSE

Pull out the hose

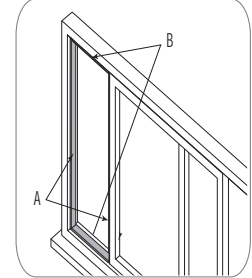
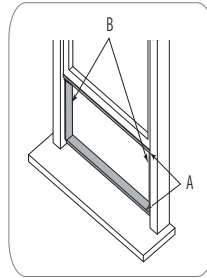
1. Rotate the exhaust hose gently backwards.
2. Pull out the exhaust hose.



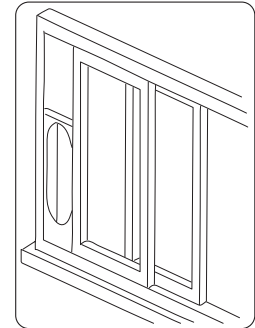
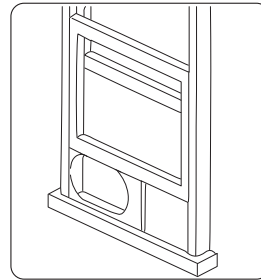
INSTALLING THE WINDOW KIT

The instructions below can be used for a hung window application (shown on the left) or an optional sliding window application (shown on the right).

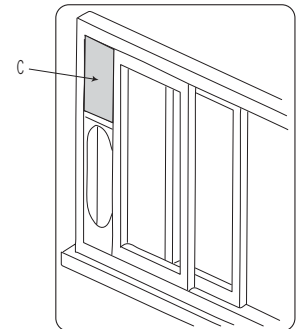
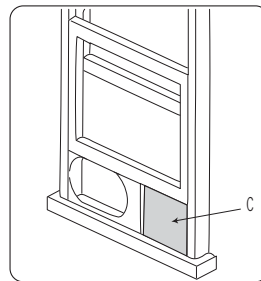
1. Cut foam seals to the correct lengths and attach them to position A and B on the window frame as shown below.



2. Insert the window slider kit into the window opening and close the window to secure it in place.



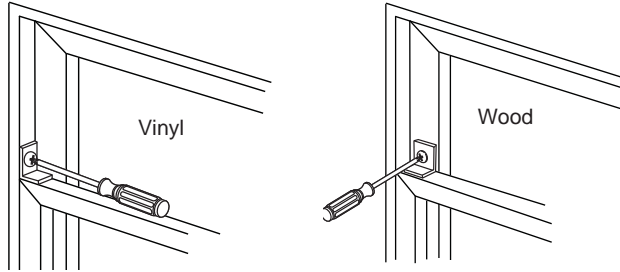
3. Cut the foam pad to match the window kit and attach it to position C as shown to decrease heat loss.



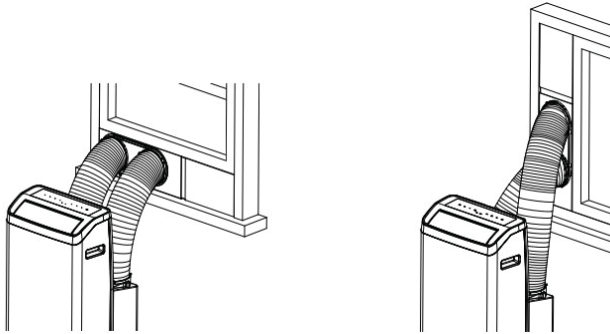
Installation Instructions

INSTALLING THE WINDOW KIT (cont)

4. If desired, install the security bracket with a screw as shown.



5. Attach the air outlet adapter onto the window slider kit.



Troubleshooting Tips

Problem	Possible Causes	Solution
Unit does not start or operate	Power supply cord is not plugged into an outlet.	Plug the power cord into a grounded 3 prong outlet.
	Power supply cord has tripped.	Press and release the RESET button on the power supply cord.
	The Power button has not been pressed.	Press the POWER button on the Control Panel or Remote Control to turn ON the air conditioner.
	There is no power to the electrical outlet.	Plug a working Electronic Device into the outlet to check for power.
	A household fuse has blown or a circuit breaker has tripped.	Replace the fuse or reset the circuit breaker.
	The control was programmed for a Time Delay.	Cancel the Time Delay. See "Controls" on page 4
	The batteries in the remote control are dead.	Replace the batteries.
	The internal water tank is full. NOTE: The air conditioner automatically turns off, and the Water Full indicator ("FL" on the control panel display) illuminates to alert you of this condition.	Empty the water tank. See "Care and Cleaning" on page 10.
Remote control is not working	Batteries are dead.	Replace the batteries.
	Batteries are installed incorrectly.	Make sure the batteries are inserted in the correct position.
Air conditioner is working but the room is not cooling.	The room temperature is hot. NOTE: On extremely hot and humid days, the air conditioner will take longer to cool the room.	Allow time for the room to cool when you first turn on the unit. Make sure the air conditioner has an adequate BTU rating for the size of the room being cooled.
	The control is set incorrectly to Fan or Dry mode.	Set the Mode to Cool and the Fan Speed to High.
	Airflow is restricted.	Remove any obstacles to the airflow and redirect airflow for uniform cooling.
	Temperature set too high.	Lower the set temperature.
	Air filters are dirty or restricted.	Clean the air filter. See "Care and Cleaning" on page 9.
	Air conditioner installed incorrectly	Check the exhaust hose and window panel for proper installation. See "Installation Instructions" on page 13.
	Doors and windows are open.	Close the doors and windows to the room being cooled to prevent cooled air from escaping.

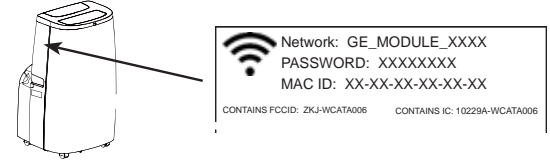
Error Codes

Error Codes	Meaning
E1	Abnormal room temperature sensor
E2	Abnormal refrigeration system sensor
FL	The internal water tank is full, refer to draining instruction on page 10

WiFi Setup (On Some Models)

GE Appliances SmarthQ (for customers in the United States)

GE Appliances SmarthQ Enabled*. If your Air Conditioner (AC) has a Connected Appliance Information label located on the outside as shown below, your AC is GE Appliances SmarthQ Enabled. A WiFi communication card is built into the product allowing it to communicate with your smart phone for remote monitoring, control and notifications. Please visit GEAppliances.com/connect to learn more about connected appliance features, and to learn what connected appliance apps will work with your smart phone. Please call 800.220.6899 for assistance.

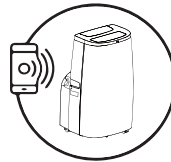


How it Works

Download the SmarthQ app



Use the app to connect your room air conditioner to WiFi



Once connected, use the app to turn down your air conditioner as you leave work.



Getting Started

To connect your room air conditioner, you'll need the SmarthQ App. The app will walk you through the connection process. Download the app from iTunes or Google Play.



All connected appliance data is held in strict accordance with the GE Appliances Connected Data Privacy Policy. Visit GEAppliances.com/privacy/privacy_policy_connected to view this policy.

Questions about SmarthQ

Get answers you need about setting up WiFi appliances and connecting to your home network in our support articles.

Visit products.GEAppliances.com/appliance/gea-support-search-content to view wifi connect room air conditioner support articles.

REGULATORY INFORMATION

FCC/IC Compliance Statement:

This device complies with Part 15 of the FCC Rules. Operation is subject to the following two conditions:
 1. This device may not cause harmful interference.
 2. This device must accept any interference received, including interference that may cause undesired operation.

This equipment has been tested and found to comply with the limits for a Class B digital device, pursuant to Part 15 of the FCC Rules. These limits are designed to provide reasonable protection against harmful interference in a residential installation. This equipment generates uses and can radiate radio frequency energy and, if not installed and used in accordance with the instructions, may cause harmful interference to radio communications. However, there is no guarantee that interference will not occur in a particular installation. If this equipment does cause harmful interference to radio or television reception, which can be determined by turning the

equipment off and on, the user is encouraged to try to correct the interference by one or more of the following measures:

- Reorient or relocate the receiving antenna.
- Increase the separation between the equipment and receiver.
- Connect the equipment into an outlet on a circuit different from that to which the receiver is connected.
- Consult the dealer or an experienced radio/television technician for help.

Labelling: Changes or modifications to this unit not expressly approved by the manufacturer could void the user's authority to operate the equipment.

*Select Models Only

This product has WiFi capability and requires Internet connectivity and a wireless router to enable interconnection with an Energy Management System, and/or with other external devices, systems or applications.

Limited Warranty

For The Period Of:	Will Replace:
One Year From the date of the original purchase	Replacement, repair, or refund of the original retail price for any product which fails due to a defect in materials or workmanship. If the unit is exchanged, the replacement unit is warranted for the remainder of your product's original one-year warranty period. GE Appliances will, at its sole discretion, replace the product with a product of the same or comparable functionality and quality or refund the original retail price.

In Order to Make a Warranty Claim During Your Retailer's Allowable Return Period:

- Properly pack your unit. We recommend using the original carton and packing materials.
- Return the product to the retail location where it was purchased.
- Include in the package a copy of the sales receipt or other evidence of date of original purchase. Also print your name and address and a description of the defect.

In Order to Make a Warranty Claim During the Remainder of the One-Year Warranty:

- Locate your sales receipt and make note of the model and serial number.
- Call 800-432-2737 to initiate a warranty claim.
- You will be asked to provide your name, address, receipt information, model and serial number.
- Warranty claims may require electronic or mailed-in evidence of purchase.

What Will Not Cover:

- Customer instruction. This owner's manual provides information regarding operating instructions and user controls.
- Improper installation. If you have an installation problem, or if the air conditioner is of improper capacity, contact your dealer or installer. You are responsible for providing adequate electrical connecting facilities.
- Failure of the product resulting from modifications to the product or due to unreasonable use including failure to provide reasonable and necessary maintenance.
- Replacement of house fuses or resetting of circuit breakers.
- Failure due to corrosion on models not corrosion-protected.
- Damage to the product caused by improper power supply voltage, accident, fire, floods or acts of God.
- Incidental or consequential damage caused by possible defects with this air conditioner.
- Damage caused after delivery.

EXCLUSION OF IMPLIED WARRANTIES - Your sole and exclusive remedy is product repair as provided in this Limited Warranty. Any implied warranties, including the implied warranties of merchantability or fitness for a particular purpose, are limited to one year or the shortest period allowed by law.

For US Customers: This limited warranty is extended to the original purchaser and any succeeding owner for products purchased for home use within the USA. If the product is located in an area where service by a GE Appliances Authorized Servicer is not available, you may be responsible for a trip charge or you may be required to bring the product to an Authorized GE Appliances Service location for service. In Alaska, the limited warranty excludes the cost of shipping or service calls to your home.

Some states do not allow the exclusion or limitation of incidental or consequential damages. This limited warranty gives you specific legal rights, and you may also have other rights which vary from state to state. To know what your legal rights are, consult your local or state consumer affairs office or your state's Attorney General.

Warrantor US:
GE Appliances, a Haier company
Louisville, KY 40225

Staple your receipt here. Proof of the original purchase date is needed to obtain service under the warranty.

Consumer Support

GE Appliances Website

Have a question or need assistance with your appliance? Try the GE Appliances Website 24 hours a day, any day of the year! You can also shop for more great GE Appliances products and take advantage of all our on-line support services designed for your convenience. In the US: GEAppliances.com

Register Your Appliance

Register your new appliance on-line at your convenience! Timely product registration will allow for enhanced communication and prompt service under the terms of your warranty, should the need arise. You may also mail in the pre-printed registration card included in the packing material. In the US: GEAppliances.com/register

Extended Warranties

Purchase a GE Appliances extended warranty and learn about special discounts that are available while your warranty is still in effect. You can purchase it on-line anytime. GE Appliances Services will still be there after your warranty expires. In the US: GEAppliances.com/extended-warranty or call 800.626.2224 during normal business hours.

Remote Connectivity

For assistance with wireless network connectivity (for models with remote enable), visit our website at GEAppliances.com/connect or call 800.220.6899 in the US.

Parts and Accessories

Individuals qualified to service their own appliances can have parts or accessories sent directly to their homes (VISA, MasterCard and Discover cards are accepted). Order on-line today 24 hours every day. In the US: GEApplianceparts.com or by phone at 877.959.8688 during normal business hours.

Instructions contained in this manual cover procedures to be performed by any user. Other servicing generally should be referred to qualified service personnel. Caution must be exercised, since improper servicing may cause unsafe operation.

Contact Us

If you are not satisfied with the service you receive from GE Appliances, contact us on our Website with all the details including your phone number, or write to:

In the US: General Manager, Customer Relations | GE Appliances, Appliance Park | Louisville, KY 40225
GEAppliances.com/contact



ACCONDICIONADORES DE AIRE PORTÁTILES

- INFORMACIÓN IMPORTANTE DE SEGURIDAD 3**
- CONTROLES 4**
- CUIDADO Y LIMPIEZA 9**
- INSTRUCCIONES DE INSTALACIÓN 11**
- SOLUCIONAR PROBLEMAS ..15**
- CONFIGURACIÓN WIFI16**
- GARANTÍA LIMITADA.....17**
- SOPORTE AL CLIENTE18**

MANUAL DEL PROPIETARIO

PPHV10WWF
PPHH12WWF

Escriba los números de modelo y serie aquí:

de Modelo _____

de Serie _____

Puede encontrar estos números en una etiqueta en el costado del acondicionador de aire.

GRACIAS POR HACER QUE GE APPLIANCES SEA PARTE DE SU HOGAR.

Ya sea que haya crecido usando GE Appliances, o que ésta es su primera vez, nos complace tenerlo en la familia.

Sentimos orgullo por el nivel de arte, innovación y diseño de cada uno de los electrodomésticos de GE Appliances, y creemos que usted también. Entre otras cosas, el registro de su electrodoméstico asegura que podamos entregarle información importante del producto y detalles de la garantía cuando los necesite.

Registre su electrodoméstico GE ahora a través de Internet. Sitios Web y números telefónicos útiles están disponibles en la sección de Soporte para el Consumidor de este Manual del Propietario.

También puede enviar una carta en la tarjeta de inscripción preimpresa que se incluye con el material embalado.



INFORMACIÓN IMPORTANTE DE SEGURIDAD

LEA TODAS LAS INSTRUCCIONES ANTES DE USAR

INSTRUCCIONES IMPORTANTES DE SEGURIDAD

⚠ ADVERTENCIA

Para reducir el riesgo de incendio, choque eléctrico, lesiones a personas o daños al utilizar el acondicionador de aire, siga precauciones básicas, incluyendo las siguientes:

- Lea todas las instrucciones antes de usar este electrodoméstico.
- Conecte a un contacto de pared de conexión a tierra de 3 terminales.
- No quite el terminal de conexión a tierra.
- No use un adaptador.
- No use un cable eléctrico de extensión.
- No ponga a funcionar el acondicionador de aire si tiene un cable o enchufe dañado, si no funciona correctamente o si se ha dañado o caído.
- El acondicionador de aire solo debe ser reparado por personal de servicio competente. Llame a la compañía de servicio técnico autorizada para su inspección, reparación o ajuste.
- Desconecte el suministro de energía antes de darle servicio técnico.
- Desconecte el suministro de energía antes de limpiarlo.

NOTA: Si apaga la unidad presionando el botón Power

(Encendido), esto NO desconecta el electrodoméstico del suministro de energía.

- No instale ni utilice el acondicionador de aire en áreas donde la atmósfera contenga gases combustibles o donde la atmósfera esté contaminada. Evite que cualquier producto químico entre en contacto con el acondicionador de aire.
- No almacene nada directamente encima del acondicionador de aire.
- Con la ayuda de dos o más personas, mueva e instale el acondicionador de aire.
- Nunca haga funcionar el acondicionador de aire si los filtros de aire no están colocados en su lugar.
- No utilice el acondicionado de aire cerca de una tina, ducha o lavabo ni otra zona húmeda.
- Este electrodoméstico no deberá ser usado por personas (incluyendo niños) con capacidades físicas, sensoriales o mentales reducidas o con falta de experiencia y conocimiento, a menos que cuenten con supervisión o instrucción con relación al uso de este electrodoméstico por parte de una persona responsable de su seguridad.
- Los niños deberán ser supervisados a fin de asegurar que no se juegue con el electrodoméstico.



⚠ ADVERTENCIA

Riesgo de Incendio o Explosión. Esta unidad contiene refrigerante inflamable. Se deben seguir las precauciones adicionales de seguridad.

- A fin de acelerar el proceso de descongelación o para limpiar, no use ningún método que no sea el recomendado por el fabricante.
- Este electrodoméstico deberá ser guardado en una sala donde no haya fuentes de encendido continuas (por ejemplo: llamas abiertas, un electrodoméstico que funcione a gas o un calefactor que funcione a electricidad).
- No perforo ni quemé el tubo refrigerante. Tenga presente que los refrigerantes no deben tener olor.
- Mantenga las aberturas de la ventilación libres de obstrucciones.
- Al mover, instalar y operar el electrodoméstico, se deberá tener cuidado para evitar dañar la tubería del refrigerante.

- No realice perforaciones en la unidad.
- El mantenimiento, la limpieza y el servicio técnico sólo deberán ser realizados por técnicos adecuadamente entrenados y calificados en el uso de refrigerantes inflamables.
- GE no suministra servicio técnico para el acondicionador de aire.
- Descarte el electrodoméstico de acuerdo con las Regulaciones Federales y Locales. Los refrigerantes inflamables requieren procedimientos de descarte específicos. A fin de descartar su acondicionador de aire de forma ambientalmente segura, comuníquese con las autoridades locales.

⚠ ADVERTENCIA

Cómo Insertar las Baterías en el Control Remoto

- Retire la tapa de las baterías, deslizando la misma siguiendo la dirección de la flecha.
- Inserte las baterías nuevas, asegurándose de que el (+) y (-) de las mismas se instalen de forma correcta.
- Vuelva a colocar la tapa deslizando la misma nuevamente hasta su posición.

⚠ ADVERTENCIA

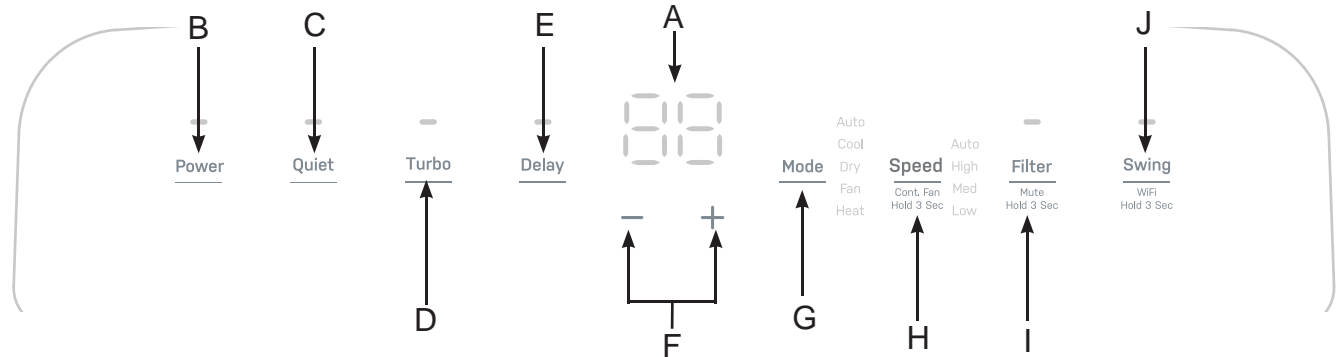
Precaución sobre Ingestión. La batería podrá causar sofocación si es tragada por niños.

- Use 2 baterías alcalinas "AAA" (1.5 volt). No use baterías recargables.
- Retire las baterías del control remoto si el sistema no será usado por un período prolongado.
- No use pilas viejas y nuevas al mismo tiempo. No combine baterías alcalinas, estándar (carbono-zinc) o recargables (ni-cad, ni-mh, etc.).

LEA Y GUARDE ESTAS INSTRUCCIONES

Controles

Las luces al lado de las teclas de toque en el panel de control del acondicionador de aire indicarán los ajustes seleccionados. Las funciones y el aspecto pueden variar.



A. Pantalla del panel de control

exhibe la temperatura configurada en grados fahrenheit, en grados celsius, o las horas restantes en time delay.

B. Botón de encendido

Activa on/off en el acondicionador de aire.

Nota: apagar el encendido presionando el botón power no desconecta el electrodoméstico del suministro de corriente. Presione el botón **power** (encendido). La pantalla del indicador de encendido y temperatura se iluminará; seleccione las configuraciones deseadas luego de un minuto una vez que las luces de **display** (pantalla) se hayan apagado. Presionar cualquier botón de la unidad o unidad remota hará que la pantalla se ilumine. Luego presione los botones correspondientes para cambiar la función de la unidad.

Nota: si se cambian las funciones desde el control remoto, se podrá requerir presionar botones varias veces para sincronizar el control remoto con la unidad.

C. Modo silencioso

La función **Quiet** (silencioso) se utiliza para llevar el ventilador hasta su velocidad más baja en los modos **Heat** (calefacción) y **Cool** (refrigeración). El modo **Quiet** asegurará el modo de funcionamiento más silencioso, satisfaciendo la temperatura configurada y brindando comodidad en el espacio de la sala a refrigerar o calefaccionar. Es normal que la unidad funcione por un período de tiempo más largo en niveles de consumo de energía más bajos para lograr la temperatura deseada. Presionar el botón **Quiet/Mode/Fan** nuevamente hará que se desactive la función **Quiet** y se pasará por omisión al modo automático de velocidad y refrigeración.

D. Modo Turbo (en algunos modelos)

La función Turbo se usa para acelerar la circulación de aire hasta la velocidad más alta en el modo de calefacción y refrigeración. Presionar Turbo nuevamente o el botón **Fan**, o **Mode** hará que se salga de la función Turbo.

Nota: Turbo está disponible en los modos de calefacción o refrigeración.

E. Tecla de Retraso

Delay ON (Retraso Encendido) - Cuando el acondicionador de aire se encuentre apagado, se podrá configurar para que se encienda automáticamente en un período de entre 1 y 24 horas en su modo previo y configuraciones del ventilador.

Delay OFF (Retraso Apagado) - Cuando el acondicionador de aire se encuentre encendido, se podrá configurar automáticamente para que se apague en un período de entre 1 y 24 horas. Cómo configurarlo: Presione la tecla **Delay**. Cada vez que se presionen las teclas Increase + /

Decrease -, se configurará el temporizador en intervalos de 1 hora. Para revisar el tiempo restante del temporizador de retraso, presione la tecla **Delay**. Use las teclas **Increase + / Decrease -** para configurar un nuevo tiempo, si se desea. Para cancelar el temporizador, presione la tecla Decrease - hasta que el tiempo de configuración sea "—", o presione el botón **Delay** dos veces.

F. Controles de Configuración de Temperatura

Ajusta Temperature (Temperatura) o Hours (Horas) en Time Delay (Retraso con Temporizador).

Para Configurar la Temperatura:

Presione el botón **Mode** hasta que se seleccione el modo **Cool**. Presione los botones **Increase +** o **Decrease -** para seleccionar la temperatura deseada.

Nota: La temperatura no se podrá configurar cuando el acondicionador de aire se encuentre en el modo Fan o en Dry.

Nota: Cuando los botones **Increase +** o **Decrease -** se presionen al mismo tiempo, usted podrá seleccionar entre exhibir la temperatura en grados Fahrenheit o en grados Celsius. Mantenga presionados los botones durante 5 segundos para alternar entre F y C.

G. Botón de modo

Presione el botón **mode** para pasar a través de las opciones de funcionamiento. La unidad elegirá de forma automática el modo de funcionamiento Cool (Refrigeración), Dry (Seco), Fan (Ventilador), o Heat (Calefacción):

Cool - refrigera la sala en la temperatura configurada.

Dry - reduce la humedad de la sala.

Fan - hace circular el aire de la sala sin refrigerar.

Heat (en algunos modelos) - calienta la habitación para ajustar la temperatura.

H. Velocidad

La velocidad del ventilador se podrá ajustar desde Low (Baja), Medium (Media), a High (Alta) cuando el acondicionador de aire se encuentre en funcionamiento. Auto (Automático) ajusta la velocidad del ventilador de forma automática para brindar una refrigeración ideal en base a la temperatura de la sala.

Mantenga presionado el botón Speed (Velocidad) durante 3 segundos para pasar al modo Fan Only (Sólo Ventilador) (en funcionamiento continuo).

Nota: El botón Speed (Velocidad) no se podrá ajustar cuando la unidad se encuentre en el modo Sleep (Inactivo). Presione el botón Speed (Velocidad) para alternar entre las tres velocidades. El indicador de velocidad del ventilador correspondiente se iluminará.

Controles

I. Botón de Reinicio del Filtro

Esta función automática le notificará que es necesario realizar la limpieza del filtro de aire. La luz indicadora se encenderá luego de 250 horas de funcionamiento. Limpie el filtro de aire (consulte la sección de Cuidado y Limpieza, Página 9), vuelva a colocarlo en el panel frontal, y presione el botón Filter Reset (Reinicio del Filtro). La luz se apagará.

J. Balanceo

La rejilla de su acondicionador de aire portátil se abrirá de forma automática cuando lo encienda (no la abra con fuerza ni la presione para su cierre).

1. Cuando su acondicionador de aire esté encendido, la rejilla realizará el balanceo hacia arriba y abajo.
2. Cuando su acondicionador de aire se encuentre encendido, la rejilla estará en la posición 1 (cuando esté en el modo de refrigeración) o 3 (cuando esté en el modo de calefacción).

- Para encender el Wi-Fi: Mantenga presionado el botón Swing (Balanceo) durante 3 segundos para encender la función WiFi.

- Consulte la sección de “Configuración de WiFi” para acceder a más información sobre cómo conectar el acondicionador de aire portátil al enrutador e instalar la Aplicación HQ.

Cuando el acondicionador de aire se encienda, se iniciará de forma automática en el último modo usado y en la configuración de Fan Speed (Velocidad del Ventilador) seleccionada.

Cool Mode (Modo de Refrigeración)

Use el modo **COOL** para enfriar.

Para configurar el modo **COOL**:

1. Presione la tecla **MODE** hasta que la luz indicadora de **COOL** esté encendida.
2. Presione la tecla **SPEED** para configurar la velocidad del ventilador en **AUTO**, **HIGH**, **MEDIUM**, o **LOW**.
3. Presione **+** o **-** para configurar la temperatura deseada.

Una vez realizada la configuración, la pantalla se apagará de forma automática durante un período breve; presione cualquier botón para reactivar la pantalla.

El control de temperatura se usa para mantener la temperatura del ambiente. El compresor realizará el ciclo de encendido y apagado para mantener la sala en el nivel de confort configurado. Configure el control de temperatura en un número más bajo, y el aire interior comenzará a ser más frío. Configure el control de temperatura en un número más alto, y el aire

interior comenzará a ser más caliente.

NOTA: Si el acondicionador de aire está apagado y luego es encendido en la configuración COOL (Refrigeración), pasarán aproximadamente 3 minutos hasta que el compresor se inicie y comience la refrigeración.

Descripciones de Refrigeración

- **Para un Enfriamiento Normal** – Seleccione el modo **COOL** y la velocidad del ventilador en **AUTO**, **HIGH**, **MEDIUM** o **LOW** con una temperatura en la configuración intermedia.
- **Para un Enfriamiento Máximo** – Seleccione el modo **COOL** y la velocidad del ventilador en **HIGH** con una temperatura en una configuración baja.
- **Para un Enfriamiento Más Suave y Nocturno** – Seleccione el modo Quiet (Silencioso) en la interface UI; el dispositivo pasará de forma automática a la velocidad de ventilación LOW (Baja) con una configuración de temperatura media.

Función de Recuperación por Corte de Suministro

En caso de corte de suministro o interrupción, la unidad se reiniciará de forma automática en las configuraciones usadas por última vez una vez restablecido el servicio.

NOTA: Si **TIMER** (Temporizador) fue configurado antes del corte de corriente, será necesario reiniciar el mismo una vez restablecido el servicio.

Controles

Modo DRY (Seco) - Deshumidificación

Use el modo **DRY** sólo para aplicar la deshumidificación.

Elija el modo seco para retirar el exceso de humedad en el aire. El agua se condensará dentro del electrodoméstico y se drenará por la parte trasera. El nivel de humedad se configurará de forma automática y no se podrá modificar en el modo seco. Se deberá configurar una manguera de drenaje continua (incluida) en la parte superior de la salida del drenaje.

Para configurar el modo DRY (Seco):

- Presione la tecla **MODE** hasta que la luz indicadora de **DRY** esté encendida

NOTA:

1. Cuando la temperatura configurada sea de más de 2 grados por debajo de la temperatura ambiente, se podrá seleccionar la velocidad del ventilador.
2. La pantalla mostrará la temperatura configurada en este modo.

Modo de Ventilación

Use el modo **FAN** para brindar circulación de aire y filtrar sin refrigerar.

Para configurar el modo FAN:

- Presione la tecla **SPEED** hasta que la luz indicadora deseada

de velocidad en **HIGH**, **MEDIUM**, o **LOW** esté encendida.

Debido a que las configuraciones de sólo ventilador no brindan refrigeración, no será exhibida una temperatura configurada. Una vez configurada la velocidad de **FAN**, la pantalla volverá a mostrar la temperatura ambiente.

Modo HEAT (Para modelos con Frío/ Calor únicamente)

Use el modo Heat en Low, Medium, High o High Speed para calefaccionar. Use los botones de Incremento (+) /Reducción

(-) de Temperatura para configurar la temperatura deseada.

Modo Turbo

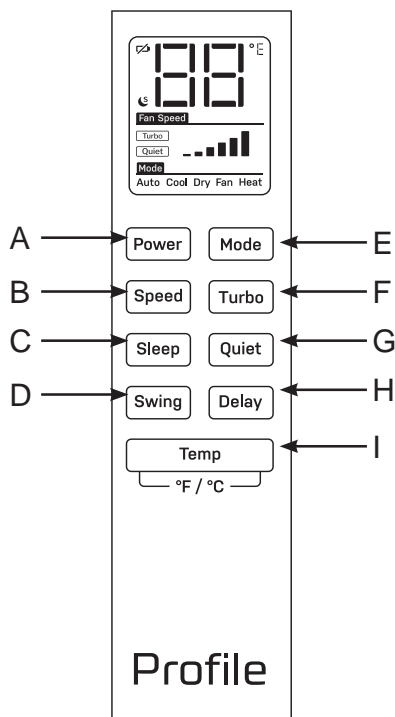
La función Turbo se usa para acelerar la circulación de aire hasta la velocidad más alta en los modos de calefacción y refrigeración. Presionar el modo Turbo nuevamente o Speed (Velocidad) hará que se salga de la función Turbo y por omisión se activarán los modos de velocidad automática y refrigeración.

En Turbo Mode, se configura la unidad para que funcione en el

modo de refrigeración en la configuración de temperatura más baja con la velocidad máxima del ventilador durante 1 hora.

El modo turbo refrigera o calienta la sala de forma rápida.

Controles (en algunos modelos)



CONTROL REMOTO

- Inserte las dos baterías (incluidas).
- Apunte el control remoto al receptor de señal en el panel de control para operar el aire acondicionado.

A. Botón Power (Encendido)

ENCIENDE/APAGA el acondicionador de aire.

NOTA: Si apaga la unidad presionando el botón **Power**, esto **NO** desconecta el electrodoméstico del suministro de energía. La luz indicadora de **Power** se iluminará.

B. Speed (Velocidad)

La función **Speed** se podrá ajustar desde **Auto** (Automática), **Low** (Baja), **Medium** (Media), a **High** (Alta) cuando el acondicionador de aire se encuentre en funcionamiento.

Presione el botón **Speed** para alternar entre las cuatro velocidades. El indicador de velocidad del ventilador correspondiente se iluminará.

C. Sleep (Inactividad)

Al presionar el botón **Sleep** para activar el modo de inactividad, el acondicionador de aire incrementará la temperatura en el modo de refrigeración (o reducirá la temperatura en el modo de calefacción) gradualmente durante una hora, y luego regresará a la temperatura original después de un total de ocho horas.

Luego de mantener la temperatura configurada durante 30 minutos, el acondicionador de aire incrementará gradualmente la temperatura durante una hora, y más tarde regresará a la configuración original después de un total de ocho horas.

D. Swing

La rejilla de su acondicionador de aire portátil se abrirá de forma automática (no la abra con fuerza ni la presione para su cierre).

Presione el botón **Swing** para fijar la rejilla en la posición deseada.

E. Botón Mode (Modo)

Presione el botón **Mode** para alternar entre las opciones de operación. El indicador correspondiente se iluminará:

Automático (en algunos modelos) - Al configurar el acondicionador de aire en el modo AUTO (Automático), éste seleccionará automáticamente el funcionamiento en refrigeración, calefacción (refrigeración únicamente en los modelos excluidos), dependiendo de qué temperatura se haya seleccionado y de la temperatura actual del ambiente.

Cool – enfría la habitación a la temperatura jada

Dry – reduce la humedad en la habitación

Fan - hace circular el aire de la habitación sin enfriar.

Heat (en algunos modelos) - Calienta la habitación a la temperatura establecida.

F. Turbo

Presionar el botón **Turbo** nuevamente, **Fan** (Ventilador), o **Mode** (Modo) hará que se salga de la función Turbo.

NOTA: Una temperatura configurada deberá ser inferior a la temperatura de la sala en el modo de refrigeración, o superior a la temperatura de la sala en el modo de calefacción; de otro modo, la unidad no se iniciará.

Controles

REMOTE CONTROL (cont)

G. Quiet (Silencioso)

La función **QUIET** se utiliza para llevar el ventilador hasta su velocidad más baja en los modos **Heat** y **Cool**. Volver a presionar el botón **QUIET/MODE/FAN** hará que se salga de la función **QUIET**.

H. Delay (Retraso)

Delay ON (Retraso Encendido) - Cuando el acondicionador de aire se encuentre apagado, se podrá configurar para que se encienda automáticamente en un período de entre 1 y 24 horas en el modo y configuraciones previas del ventilador.

Delay OFF (Retraso Apagado) - Cuando el acondicionador de aire se encuentre encendido, se podrá configurar automáticamente para que se apague en un período de entre 1 y 24 horas.

Cómo configurarlo: Presione el botón **Delay**. Cada vez que se presionen las teclas **Increase + / Decrease -** (Incrementar + / Reducir), se configurará el temporizador en intervalos de 1 hora.

I. Botones Con Flechas Hacia Arriba Y Hacia Abajo

Ajustan la temperatura o las horas del tiempo diferido.

Para jar la temperatura:

- Presione el botón **Mode** hasta que se seleccione el modo **Cool** (Enfriamiento).
- Presione los botones + o - para seleccionar la temperatura.

NOTA: La temperatura no se podrá configurar cuando el acondicionador de aire se encuentre en el modo **Fan**.

NOTA: La pantalla LED del acondicionador de aire se apagará 1 minuto después de haber presionado el último botón. Para encender la pantalla LED, presione cualquier botón de la unidad o del control remoto. Luego presione la función correspondiente del control para cambiar las configuraciones; es posible que sea necesario presionar el control remoto varias veces para su sincronización con la unidad.

NOTA: Señal de Temperatura Baja – Las baterías se descargaron o poseen poca carga. Por favor reemplace las baterías.

Cuidado y Limpieza

LIMPIEZA

⚠ ADVERTENCIA



Riesgo de descarga eléctrica

- Desconecte la fuente de alimentación antes de limpiar.
- El incumplimiento de estas instrucciones puede provocar la muerte o una descarga eléctrica

1. Desenchufe o desconecte el suministro de energía.
2. Útil solamente un paño dulce humedecido con agua para limpiar el gabinete.

NOTA:

- No use un limpiador líquido o con rociador para limpiar el acondicionador de aire.
 - No usar productos químicos, abrasivos, amoníaco, blanqueador con cloro, detergentes concentrados, solventes o estropajos de metal. Algunos de estos artículos / productos químicos pueden dañar y / o decolorar su acondicionador de aire.
3. Ve bien con un paño dulce.
 4. Enchufe o vuelva a conectar el suministro de energía.

FILTROS DE AIRE

Los filtros de aire deben limpiarse al menos una vez a la semana para garantizar que la unidad funcione con una eficiencia óptima.

⚠ PRECAUCIÓN

No opere el acondicionador de aire si los filtros de aire no están en su lugar.

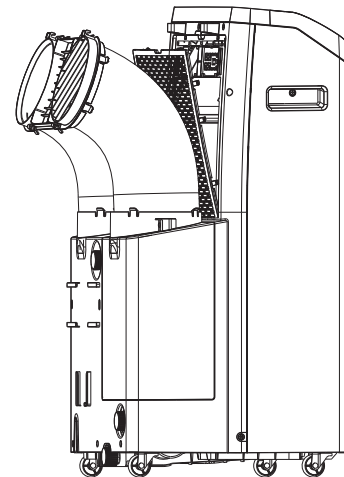
Para eliminar:

1. Desenchufe o desconecte la corriente.
2. Presione hacia usted para retirar los paneles de los filtros.
3. Lave o aspire el polvo de los filtros de aire.

NOTA: Si se lavó, de forma suave sacuda el filtro para eliminar el exceso de agua y las partículas de polvo atrapadas en el filtro.

4. Reemplace ambos paneles de los filtros.
5. Enchufe o vuelva conectar la corriente.

Panel del Filtro



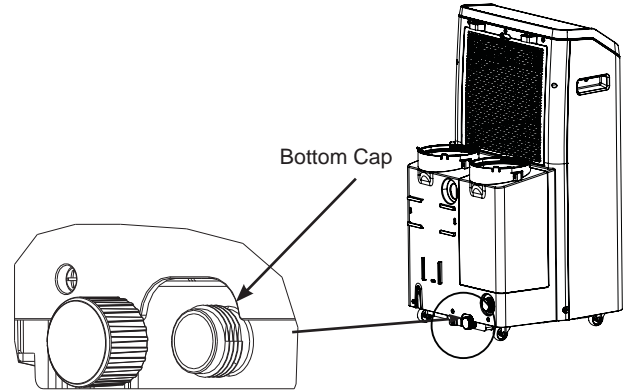
Cuidado y Limpieza

Tanque de agua interior

El indicador de agua llena se ilumina cuando el tanque de agua interno está lleno de agua de condensación. La unidad no enfriará hasta que el tanque haya sido vaciado, a fin de evitar desbordes y posibles daños sobre el piso debajo del acondicionador de aire.

Vaciar el depósito de agua interno:

1. Desconecte o desconecte la fuente de alimentación eléctrica.
2. Coloque una charola poco profunda de 1 ½ cuartos o más grande (no incluida) debajo de la tapa inferior ubicada en la parte trasera (cerca de la parte inferior) del acondicionador de aire.
3. Retire la tapa inferior y drene el tanque de agua.
4. Enrosque la tapa inferior cómodamente sobre su posición.
5. Conecte el dispositivo o vuelva a conectar la fuente de alimentación.

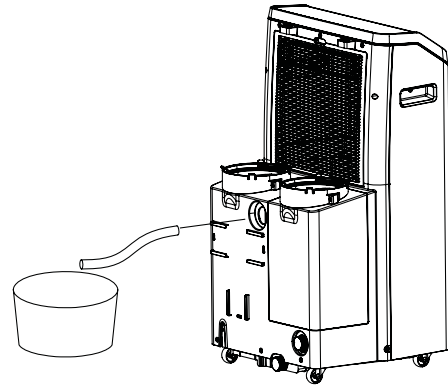


Drenaje continuo

(opción, y sólo en el modo seco)

1. Retire la tapa del drenaje superior.
2. Conecte la manguera de drenaje incluida a la salida del drenaje superior.
3. Dirija la manguera de drenaje hasta un recipiente de un tamaño adecuado* o hasta un drenaje en el piso.

* Asegúrese de usar un recipiente grande (se recomienda uno de 3 galones o más) y monitoree el nivel de agua del recipiente de forma continua. La unidad no se apagará cuando el recipiente esté lleno. Un recipiente que se desborde podrá ocasionar una inundación y daños sobre el piso.



RANGEMENT

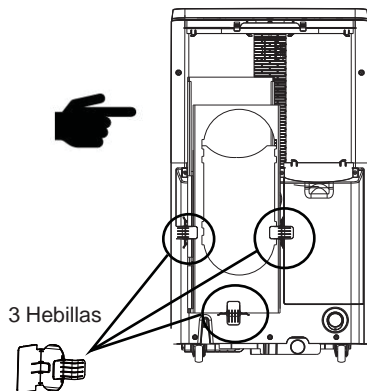
Si la unidad no se usará durante un período de tiempo prolongado, por favor guarde la misma siguiendo estos pasos:

Paso 1: Vacíe el Tanque de Agua Interior:

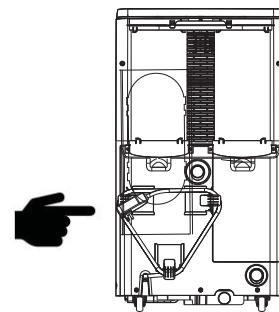
1. Desenchufe o desconecte la corriente.
2. Drene el agua del tanque de agua. (Consulte la "sección del Tanque de Agua Interior" más arriba).

Paso 2: Guarde los deslizadores de la ventana:

1. Asegúrese de que las 3 hebillas ya se encuentren instaladas.
2. Inserte los deslizadores de ventana en el lugar correcto.



Paso 3: Haga circular el cable de corriente sobre las hebillas



Paso 4: Embale la unidad:

1. Use el embalaje original para volver a embalar la unidad, para evitar acumulación de polvo o tierra.
2. Guarde el acondicionador de aire en una ubicación fresca y seca.

Instrucciones de instalación

¿Preguntas? Llame a GE Appliances al 866.907.1655 o visite nuestro sitio web en: GEAppliances.com.

ANTES DE INICIAR

Lea estas instrucciones completa y cuidadosamente.

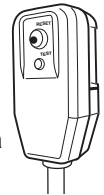
- **IMPORTANTE** — Guarde estas instrucciones para uso del inspector local.
- **IMPORTANTE** — Observe todos los códigos y órdenes de ley.
- **Nota al instalador** – Asegúrese de dejar estas instrucciones con el consumidor.
- **Nota al consumidor** – Conserve estas instrucciones para referencia futura.
- **Nivel de destreza** – La instalación de este aparato requiere de destrezas mecánicas básicas.
- **Tiempo de ejecución** – Aprox. 1 hora
- Recomendamos dos personas para la instalación de este producto.
- La instalación apropiada es la responsabilidad del instalador.
- La falla del producto debido a una instalación inadecuada no está cubierta por la garantía.
- Cuando instale este acondicionador de aire, DEBE usar todas las piezas suministradas y usar procedimientos adecuados de instalación.

REQUISITOS ELÉCTRICOS



Estos modelos requieren tomacorrientes de 115/120 voltios de corriente alterna y 60 Hz conectados a tierra, protegidos con un fusible de dilatación de tiempo de 15 amperios o un cortacircuitos. El enchufe de tres púas con conexión a tierra minimiza la posibilidad de descargas eléctricas. Si el tomacorriente de la pared que usted planea usar solamente tiene 2 tomas, es su responsabilidad hacer que un técnico lo reemplace por uno de tres tomas con conexión a tierra.

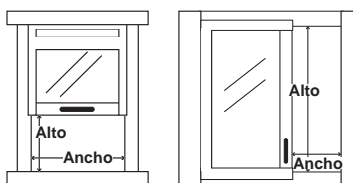
PRECAUCIÓN Bajo ninguna circunstancia corte o remueva la tercera púa (conexión a tierra) del cable eléctrico. No cambie el enchufe en el cable eléctrico de este acondicionador de aire. Los cables caseros de aluminio podrían presentar problemas especiales. Consulte a un técnico electricista calificado. **problems—consult a qualified electrician.**



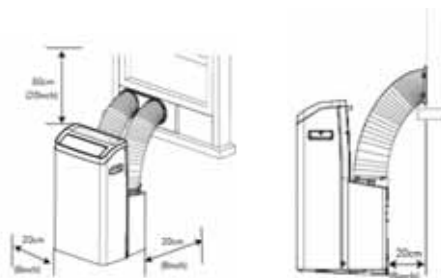
El cable de alimentación incluye un dispositivo para interrupción de corriente. Se incluye un botón de prueba y de reinicio en el dispositivo. El dispositivo debe ponerse a prueba periódicamente: primero se presiona el botón de TEST (prueba) y luego RESET (reinicio) mientras se encuentra enchufado al tomacorriente. Si el botón TEST no se dispara o si el botón RESET no queda enganchado, deje de utilizar el acondicionador de aire y comuníquese con un técnico calificado.

Requisitos De Ubicación

- El acondicionador de aire se deberá instalar cerca de un receptáculo con conexión a tierra, y la salida de drenaje de sobrecarga sobre la parte trasera deberá estar accesible.
- Coloque el acondicionador de aire sobre un piso parejo y nivelado, lo suficientemente fuerte como para sostener la unidad. Asegúrese de que la unidad esté nivelada para minimizar el ruido y la vibración. No coloque el acondicionador de aire sobre una superficie inestable o elevada, ya que se podrá caer u ocasionar daños o lesiones.
- Para lograr un rendimiento óptimo, existen requisitos para una distancia óptima: 8" entre la unidad y la pared exterior y 8" entre los demás laterales de la unidad.
- Mantenga el acondicionador de aire, especialmente la manguera de salida, libre de cualquier obstrucción tal como paños, cortinas, persianas, etc. No cubra las entradas o salidas de aire o el receptor del control remoto sobre el panel de control.
- No coloque el acondicionador de aire en contacto directo con la luz solar o cerca de fuentes de calor tales como zócalos calefactores, cocinas, etc.
- El panel de la ventana e podrá instalar en una ventana con una abertura mínima de 20" hasta una abertura máxima de 63".
- El acondicionador de aire requiere 8" de espacio sobre los laterales y en la parte trasera para poder contar con una circulación de aire apropiada. La paleta de la rejilla deberá estar alejada 50 cm. (20 pulgadas) de cualquier obstáculo.
- Este electrodoméstico fue diseñado sólo para uso en interior (excluyendo salas de lavandería).



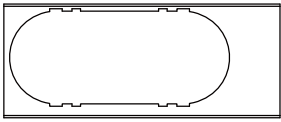
Colgado con Doble Agarre o con Deslizamiento
Ancho mín. de 20" – máx. de 63"



Instrucciones de instalación

ACCESORIOS INCLUIDOS

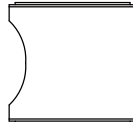
1. Deslizador de ventana A



2. Deslizador de ventana B



3. Deslizador de ventana C



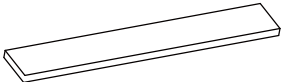
4. Deslizador de ventana D



5. Deslizador de ventana E



6. Sellado de gomaespuma (x2)



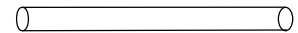
7. Almohadilla



8. Soporte de bloqueo de ventana con tornillo



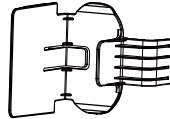
9. Manguera de drenaje



10. Control remoto



11. Broche de almacenamiento del deslizador de ventana (x3)



12. Tornillos del deslizador de ventana (x4)

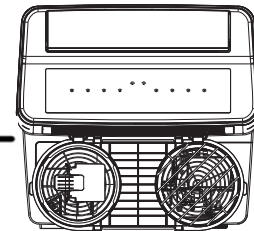


⚠ CAUTION

- Nº1~Nº5, los podrá encontrar en la caja al lado de la unidad del acondicionar de aire.
- Nº6 y nº8~Nº12 están en una bolsa y la bolsa está colocada en la manguera.
- Nº7 es la Almohadilla, y se encuentra en la parte trasera de la unidad.

Por favor RETIRE todos los accesorios de la unidad antes de la instalación. De otro modo, se podrán generar daños o empeorar el rendimiento.

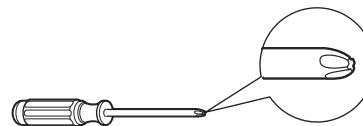
¡La almohadilla está aquí!



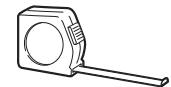
¡Los demás accesorios se encuentran aquí!

Herramientas Necesarias

- Destornillador Phillips de tamaño medio
- Cinta de medición o regla
- Cuchillo o tijeras
- Sierra (de ser necesario realizar un corte para ajustar los deslizadores de ventana)



Destornillador Phillips



Regla o cinta de medición



Tijeras o cuchillo



Sierra

⚠ ADVERTENCIA

No deje desatendido el electrodoméstico en un espacio donde haya personas o animales que no puedan reaccionar a un mal funcionamiento. Un mal funcionamiento tal como la dislocación de una manguera de salida podrá generar un sobrecalentamiento extremo o la muerte en un espacio encerrado y sin atención.

Instrucciones de instalación

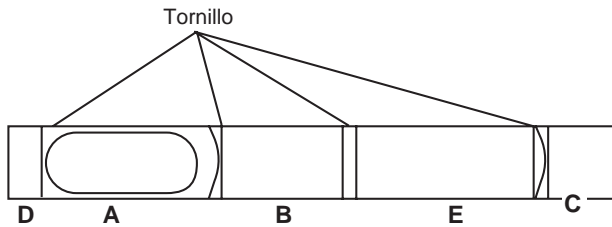
ENSAMBLE DEL KIT DE VENTANA

Paso uno: Prepare los deslizadores de ventana

1. Mida la abertura de la ventana donde se instalará el kit de ventana.

NOTA: El rango de longitud del kit de ventana es 51cm ~ 160cm (20" ~ 63")

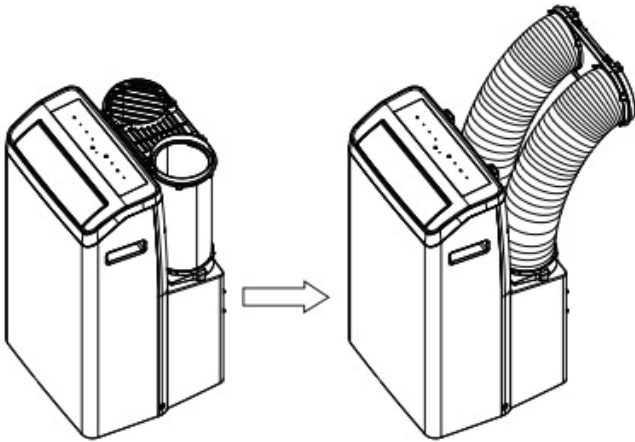
2. Ensamble tantos deslizadores de ventana como sea necesario para calzar la ventana. Si la abertura de la ventana es inferior a la longitud mínima de un solo deslizador, use el deslizador con agujero y corte el mismo en la longitud correcta. Asegúrese de no cortar el extremo que posee el agujero, ya que éste será necesario para la adhesión del adaptador de la manguera de salida.
3. Use los pernos para deslizadores de ventana para asegurar estos últimos en la longitud correcta.



MANGUERA DE SALIDA

Retire la manguera

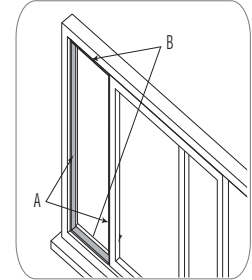
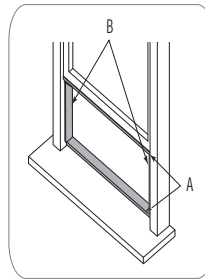
1. Gire la manguera de salida de forma suave hacia atrás.
2. Retire la manguera de salida.



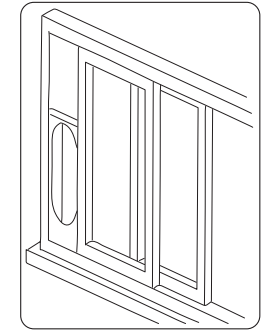
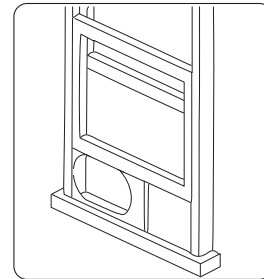
INSTALACIÓN DEL KIT DE VENTANA

Se podrán usar las siguientes instrucciones para colgar la aplicación de ventana (mostradas a la izquierda) o una aplicación opcional de deslizamiento de ventana (mostrada a la derecha).

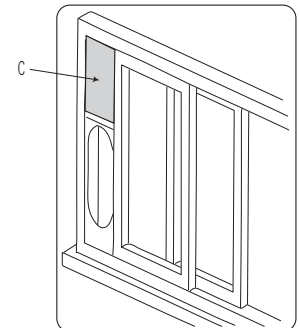
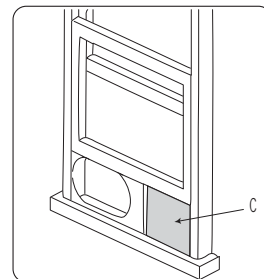
1. Corte selladores de gomaespuma en las longitudes correctas y adhiera los mismos en las posiciones A y B sobre el marco de la ventana, como se muestra a continuación.



2. Inserte el kit del deslizador de ventana en la abertura de la ventana y cierre esta última para asegurar el mismo en su posición.



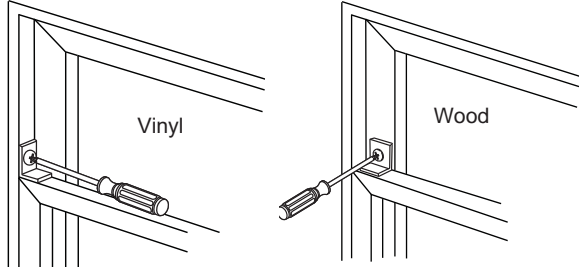
3. Corte la almohadilla de gomaespuma para que coincida con el kit de ventana y adhiera la misma en la posición C como se muestra para reducir la pérdida de aire.



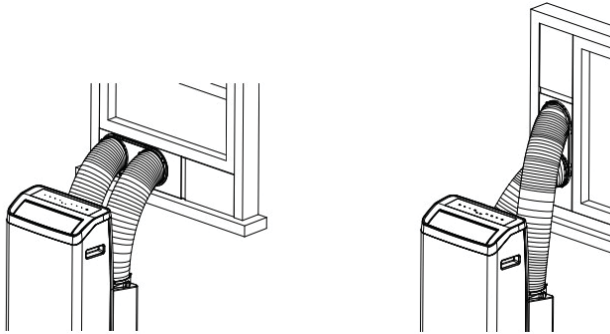
Instrucciones de instalación

INSTALACIÓN DEL KIT DE VENTANA (cont.)

4. Si lo desea, instale el soporte de seguridad con un tornillo como se muestra.



5. Adhiera el adaptador de salida de aire al kit del deslizador de ventana.



Solucionar problemas

Problema	Causas posibles	Qué hacer
La unidad no se pone en marcha ni funciona	El cable de suministro de energía no está enchufado en un toma corriente.	Conecte el cable eléctrico a un toma corriente de 3 terminales con conexión a tierra.
	El cable de suministro de energía se ha disparado.	Presione y libere RESET (Restablecer) en el cable de suministro de energía.
	El botón Power (Encendido) no se ha presionado.	Presione el botón Power (Encendido) en el panel de control o el control remoto para ENCENDER el acondicionador de aire.
	El toma corriente eléctrico no recibe suministro eléctrico.	Enchufe un Dispositivo Electrónico en funcionamiento en el tomacorriente para controlar la corriente.
	Se ha fundido un fusible de la casa o se ha disparado un cortacircuitos.	Reemplace el fusible o reposicione el cortacircuitos.
	El control fue programado para un tiempo diferido.	Cancele el Retraso de Tiempo. Consulte la sección de "Controles" en la página 4.
	Las pilas del control remoto están agotadas.	Reemplace las pilas.
	El tanque de agua interno está lleno. NOTA: El acondicionador de aire se apaga automáticamente y el indicador Water Full ("FL" en la pantalla del panel de control) se ilumina para avisarle de este estado.	Vacíe el tanque de agua. Consulte la sección de "Cuidado y Limpieza" en la página 10.
El control remoto no funciona	Las pilas están agotadas.	Reemplace las pilas.
	Las pilas están insertadas de forma incorrecta.	Asegúrese de que las pilas se inserten en la posición correcta.
El acondicionador de aire está funcionando, pero la habitación no se enfría.	La temperatura de la habitación está caliente. NOTA: En días muy calurosos y húmedos, el acondicionador de aire necesitará más tiempo para enfriar la habitación.	Dé tiempo para que la habitación se enfríe cuando enciende la unidad por primera vez. Asegúrese de que el acondicionador de aire tenga una categoría de BTU (Unidad Térmica Británica) adecuada para el tamaño de la habitación que desea enfriar.
	El control se ha fijado incorrectamente en modo Fan (Ventilador) o Dry (Seco).	Fije el modo Cool (Enfriamiento) y la velocidad del ventilador en High (Alta).
	El flujo de aire ha disminuido.	Quite los obstáculos que bloquean el flujo de aire y redirija el flujo de aire para lograr un enfriamiento uniforme.
	La temperatura está fijada demasiado alta.	Baje la temperatura fijada.
	Los filtros de aire están sucios u obstruidos.	Limpie el filtro de aire. Consulte la sección de "Cuidado y Limpieza" en la página 9.
	El acondicionador de aire se ha instalado incorrectamente.	Verifique que la manguera de escape y el panel de la ventana estén correctamente instalados. Consulte la sección de "Instrucciones de Instalación" en la página 13.
	Las puertas y las ventanas están abiertas.	Cierre las puertas y las ventanas de la habitación que desea enfriar para evitar que el aire enfriado se escape.

Códigos de Error

Códigos de Error	Significado
E1	Sensor de temperatura ambiente atípico
E2	Sensor del sistema de refrigeración atípico
FL	El tanque de agua interior está lleno; consulte las instrucciones sobre drenaje en la página 8.

Configuración WiFi (en algunos modelos)

GE Appliances SmartHQ (Para clientes en Estados Unidos)

GE Appliances SmartQ Habilitado* Si su acondicionador de aire posee una etiqueta de Información del Electrodoméstico Conectado ubicada en la parte externa como se muestra a continuación, su acondicionador de aire cuenta con **GE SmartHQ Habilitado**. Una tarjeta de comunicación de WiFi está incorporada en el producto, permitiendo la comunicación del mismo con su teléfono inteligente para el monitoreo remoto, control y notificaciones. Para aprender más sobre las funciones del electrodoméstico conectado, y para saber qué aplicaciones de electrodomésticos conectados funcionarán con su teléfono inteligente, visite GEAppliances.com/connect. Para asistencia, llame al **1-800-220-6899**.

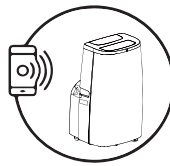


Cómo Funciona

Descargue la Aplicación de SmartHQ



Use la aplicación para conectar su acondicionador de aire para sala al WiFi



Una vez conectada, use la aplicación para apagar su acondicionador de aire al salir del trabajo.



Puesta en marcha

A fin de conectar su acondicionador de aire para sala, necesitará la Aplicación de GE Appliances. La aplicación lo guiará a través del proceso de conexión. Descargue la aplicación de iTunes o Google Play.



Los datos de todos los electrodomésticos conectados son guardados en estricto cumplimiento con la Política de Privacidad de Datos de Conexión de GE Appliances. Para acceder a esta política, visite geappliances.com/privacy/privacy_policy_connected.

Preguntas acerca de SmartHQ

Acceda a respuestas necesarias sobre la configuración de electrodomésticos con WiFi y la conexión a su red hogareña a través de nuestros artículos de soporte.

Para acceder a los artículos de soporte la conexión wifi del acondicionador de aire para sala, visite products.geappliances.com/appliance/gea-support-search-content.

INFORMACIÓN REGULATORIA

Declaración de Cumplimiento con FCC/IC:

1. Este dispositivo no podrá causar interferencias perjudiciales.
2. Este dispositivo debe aceptar cualquier interferencia recibida, incluidas las interferencias que puedan provocar un funcionamiento no deseado.

Este equipo fue probado y cumple con los límites establecidos para un dispositivo digital de clase B, según la parte 15 de la Normativa de la FCC. Estos límites fueron diseñados para brindar una protección razonable contra interferencias nocivas en una instalación residencial. Este equipo genera, usa y puede emitir energía de radiofrecuencia y, si no se instala y utiliza de acuerdo con las instrucciones, puede ocasionar interferencias perjudiciales sobre las comunicaciones radiales. Sin embargo, no se garantiza que no se presenten interferencias en una instalación en particular. Si este equipo provoca interferencias perjudiciales para la recepción de radio o televisión, lo que puede comprobar encendiendo y apagando el equipo, se aconseja al usuario que intente corregir la interferencia a través de una o más

de las siguientes medidas:

- Reoriente o reubique la antena receptora.
- Aumente la separación entre el equipo y el receptor.
- Conecte el equipo a un tomacorriente de un circuito diferente al tomacorriente al cual se encuentra conectado el receptor.
- Para solicitar ayuda, consulte al comerciante minorista o a un técnico experimentado de radio/ televisión.

Etiqueta: Las modificaciones sobre esta unidad no aprobadas expresamente por parte del fabricante podrían anular la autoridad del usuario para utilizar el equipo.

*Modelos Selectos Únicamente

Este producto tiene capacidad Wi-Fi y requiere conectividad a Internet y un enrutador inalámbrico para permitir la interconexión con un Sistema de administración de energía y / o con otros dispositivos, sistemas o aplicaciones externos.

Garantía de su acondicionador de aire—garantía limitada de un año.

Abroche su recibo aquí. Para acceder al servicio técnico de acuerdo con la garantía deberá contar con la prueba de la fecha original de compra.

Por el Período de:	Reemplazaremos:
Un Año Desde la fecha de la compra original	Reemplazo, reparación o reembolso del costo minorista original de cualquier producto que falle debido a un defecto en los materiales o la fabricación. Si la unidad es cambiada, la unidad de reemplazo posee garantía por el resto del período de la garantía original de un año sobre su producto. GE Appliances reemplazará, a su exclusivo criterio, el producto por otro de la misma o de una funcionalidad y calidad comparable o hará un reembolso por el precio minorista original.

Para hacer un reclamo de garantía durante el período de devolución permitido de su minorista:

- **Embale la unidad correctamente. Le recomendamos usar la caja de cartón y los materiales de embalaje originales.**
- **Entregue el producto en la ubicación del vendedor minorista donde fue adquirido.**
- **Incluya en el paquete una copia del receptor de la venta u otro comprobante de la fecha de compra original. También escriba su nombre y domicilio y una descripción del defecto.**

A Fin de Realizar un Reclamo sobre la Garantía Durante el Resto de la Garantía de un Año:

- Ubique su recibo de venta original y haga una nota de su modelo y número de serie.
- Llame al 800-432-2737 para iniciar una reclamación de garantía.
- Se solicitará su nombre, domicilio, información del recibo, y números de modelo y serie.
- Las reclamaciones de garantía podrán requerir una prueba de compra enviada de forma electrónica o por correo.

Qué No Será Cubierto:

- **Instrucción al cliente. Este manual del propietario brinda información relacionada con instrucciones de funcionamiento y controles del usuario.**
- **Instalación inadecuada. Si tiene un problema de instalación o el acondicionador de aire no posee la capacidad adecuada, contacte a su vendedor minorista o instalador. Usted es responsable de brindar instalaciones de conexión eléctrica adecuadas.**
- **Falla del producto como resultado de modificaciones sobre el mismo o debido a un uso irrazonable, incluyendo la falta de mantenimiento razonable o necesario.**
- **Reemplazo de fusibles del hogar o reinicio de disyuntores.**
- **Fallas como consecuencia de corrosión en modelos sin protección contra ésta.**
- **Daños ocasionados sobre el producto por nivel de suministro de voltaje inadecuado, accidente, incendio, inundaciones o catástrofes naturales.**
- **Daños consecuentes o incidentales causados por posibles defectos del acondicionador de aire.**
- **Daño causado después de la entrega.**

EXCLUSIÓN DE GARANTÍAS IMPLÍCITAS—Su única y exclusiva alternativa es la reparación del producto, como se indica en la Garantía Limitada. Las garantías implícitas, incluyendo garantías implícitas de comerciabilidad o conveniencia sobre un propósito particular, se limitan a un año o al período más corto permitido por la ley.

Para Clientes de EE.UU: Esta garantía limitada se extiende al comprador original y a cualquier dueño subsiguiente de productos comprados para uso hogareño dentro de EE.UU. Si el producto está en un área donde no se encuentra disponible un Proveedor Autorizado del Servicio Técnico de GE Appliances, usted será responsable por el costo de un viaje o se podrá requerir que traiga el producto a una ubicación del Servicio Técnico de GE Appliances Autorizado para recibir el servicio. En Alaska, la garantía limitada excluye el costo de envío o llamadas del servicio técnico a su hogar.

Algunos estados no permiten la exclusión o limitación de daños fortuitos o consecuentes. Esta garantía limitada le da derechos legales específicos y es posible que tenga otros derechos legales que varían entre un estado y otro. Para conocer cuáles son sus derechos legales, consulte a la oficina de asuntos del consumidor local o estatal o al Fiscal de su estado.

Garante en EE.UU:
GE Appliances, a Haier company
Louisville, KY 40225

Abroche su recibo aquí. Para acceder al servicio técnico de acuerdo con la garantía deberá contar con la prueba de la fecha original de compra.

Soporte al Cliente

GE Appliances Sitio Web

¿Desea realizar una consulta o necesita ayuda con su electrodoméstico? ¡Intente a través del Sitio Web de Electrodomésticos de GE Appliances las 24 horas del día, cualquier día del año! Usted también puede comprar más grandiosos productos de GE Appliances y sacar ventaja de todos nuestros servicios a través de Internet diseñados para su conveniencia.

En EE.UU.: GEAppliances.com

Registre su Electrodoméstico

¡Registre su electrodoméstico nuevo a través de Internet, según su conveniencia! Un registro puntual de su producto permitirá una mejor comunicación y un servicio más puntual de acuerdo con los términos de su garantía, en caso de surgir la necesidad. También puede enviar una carta en la tarjeta de inscripción pre-impresa que se incluye con el material embalado.

En EE.UU.: GEAppliances.com/register

Garantías Extendidas

Adquiera una garantía extendida de GE Appliances y aprenda sobre descuentos especiales que están disponibles mientras su garantía aún está vigente. La puede adquirir en cualquier momento a través de Internet. Los Servicios de GE Appliances aún estarán allí cuando su garantía caduque. En EE.UU.: GEAppliances.com/extended-warranty o llame al 800.626.2224 durante el horario comercial habitual.

Conectividad Remota

Para solicitar asistencia con la conectividad de red inalámbrica (para modelos con activación remota), visite nuestro sitio Web en GEAppliances.com/connect o llame al 800.220.6899 en EE.UU.

Piezas y Accesorios

Individuos calificados para realizar el servicio técnico de sus propios electrodomésticos podrán solicitar el envío de piezas o accesorios directamente a sus hogares (se aceptan las tarjetas VISA, MasterCard y Discover). Ordene a través de Internet hoy durante las 24 horas del día. En EE.UU.: GEApplianceparts.com o por teléfono al 877.959.8688 durante el horario comercial habitual.

Las instrucciones que figuran en este manual cubren los procedimientos que serán realizados por cualquier usuario. Otros servicios técnicos generalmente deberían ser derivados a personal calificado del servicio. Se deberá tener cuidado, ya que una reparación indebida podrá ocasionar que el funcionamiento no sea seguro.

Contáctenos

Si no se encuentra satisfecho con el servicio que recibió de GE Appliances, comuníquese con nosotros a través de nuestro sitio Web con todos los detalles, incluyendo su número telefónico, o escriba a:

En EE.UU.: General Manager, Customer Relations | GE Appliances, Appliance Park | Louisville, KY 40225
GEAppliances.com/contact