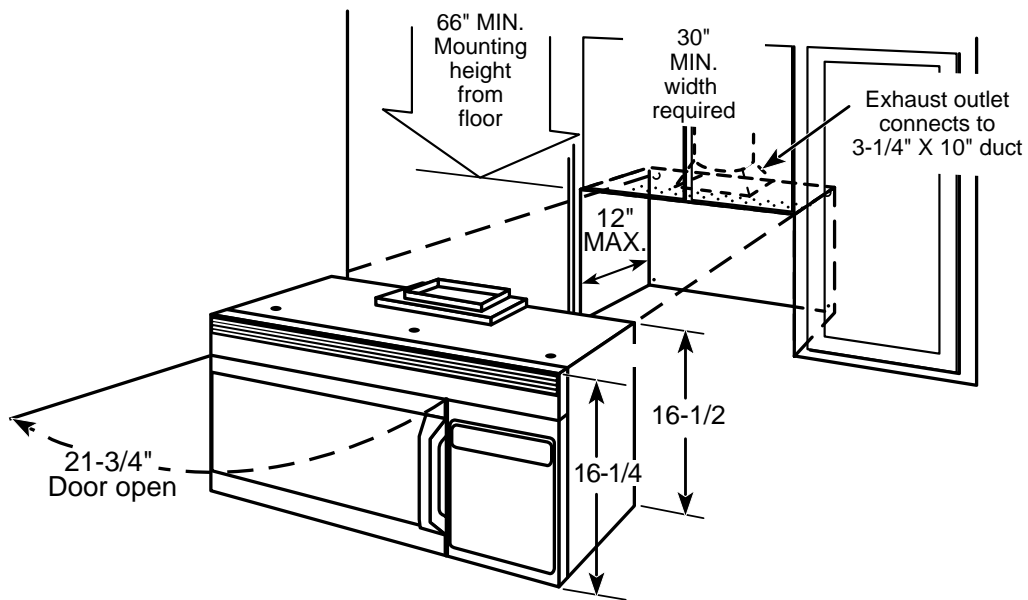


HOTPOINT

RVM1325BW—Counter Saver Plus™ Microwave Oven

Dimensions (in inches)

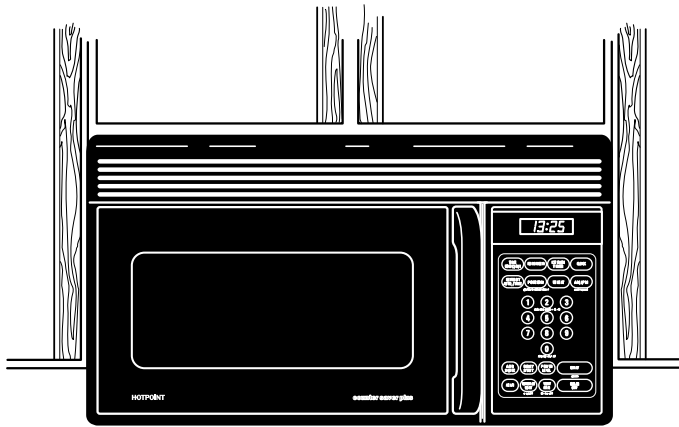


Important Information: When installing the Counter Saver Plus™ microwave oven over a range, allow minimum of 2" from bottom of Counter Saver Plus™ microwave oven to top of range backguard to allow for removal of light covers.

Installation Information: This information is not intended to be used for installing unit described. Before installing, consult installation instructions packed with product/kit for current dimensional data.

HOTPOINT

RVM1325BW—Counter Saver Plus™ Over-The-Range Microwave Oven



Features and Benefits

- Black on black Model
- 1.3 cu. ft. Oven Cavity
- Interactive Display System
 - Electronic Scrolling Digital Display With Clock and AM/PM Pad
 - Variable Scroll Speed
 - Concurrent Programming
 - Help Pad
- Auto Defrost/Time Defrost
- Minute Cook (1-6 Minutes)
- Add 30 Seconds
- Instant On Controls
- Timer On/Off
- Child Lock Out
- Full-View Cooktop Lighting
- Easy Mount Installation