

GTWN3000M

GE® 3.6 DOE cu. ft. stainless steel capacity washer

Dimensions and Installation Information (in inches)

Circuit Requirements: An individual, properly-grounded branch circuit, with a three-prong grounding-type receptacle, protected by a 15 or 20 amp circuit breaker or a time-delay fuse, is required.

Electrical Rating:

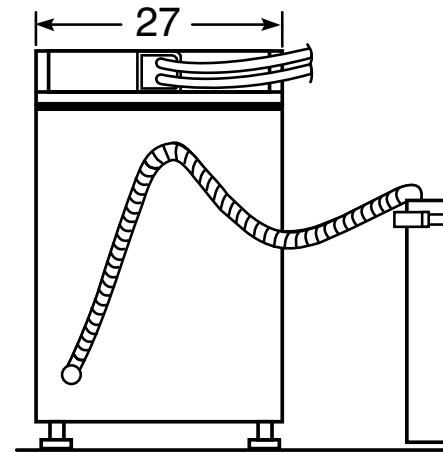
120V, 60Hz

Washer Note:

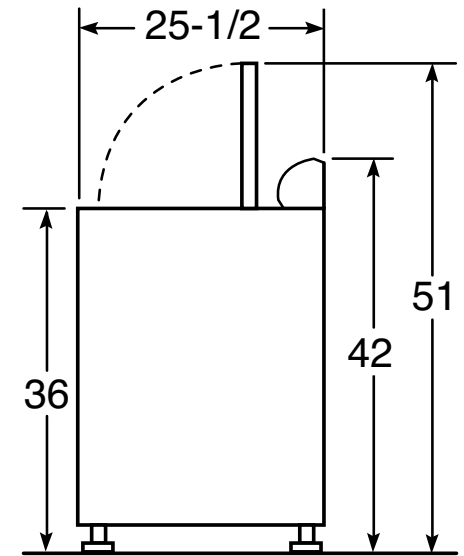
Washer wall outlet must be located within 36" of service cord entry.
Wall outlet must not be located behind dryer.

Installation Information:

Before installing, consult installation instructions packed with your washer.



Rear View



Side View

For answers to your Monogram®, GE Profile™ or GE® appliance questions, visit our website at geappliances.com or call GE Answer Center® service, 800.626.2000.



imagination at work



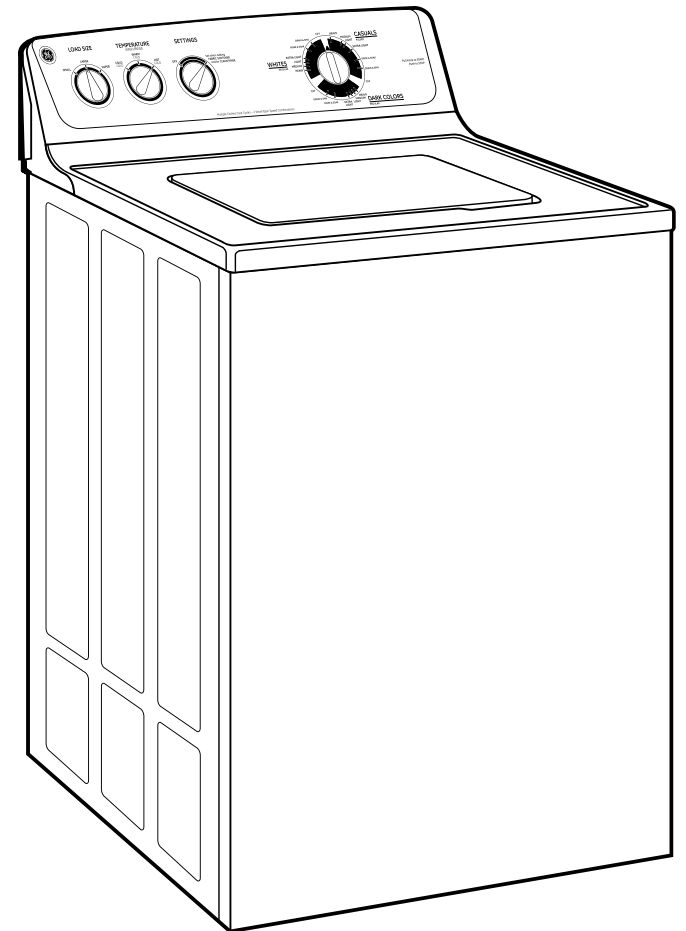
Listed by
Underwriters
Laboratories

GTWN3000M

GE® 3.6 DOE cu. ft. stainless steel capacity washer

Features and Benefits

- GentlePower™ agitator - Enjoy advanced cleaning results while reducing normal wear and tear
- Rotary electromechanical controls - Easy-to-use controls make it simple to set cycles
- 2 wash/spin speed combinations - Speeds are matched to fabric type for great clothes care
- Multiple wash cycles - Multiple cycles are designed to specifically handle various fabrics and soils
- Bleach and fabric softener dispensers - Solutions are automatically mixed with wash water for bright, soft-to-the-touch results
- 630 RPM spin speed - Fast speeds remove more water during the spin cycle to minimize drying time
- 3 Wash / Rinse Temperatures - Allow you to select the right temperature for better wash results and longer fabric life
- 3 water levels - Allows user to match the water level to each load of wash
- Model GTWN3000MWS – White on white



imagination at work