

GTWP2000F GE® 3.7 DOE cu. ft. capacity washer

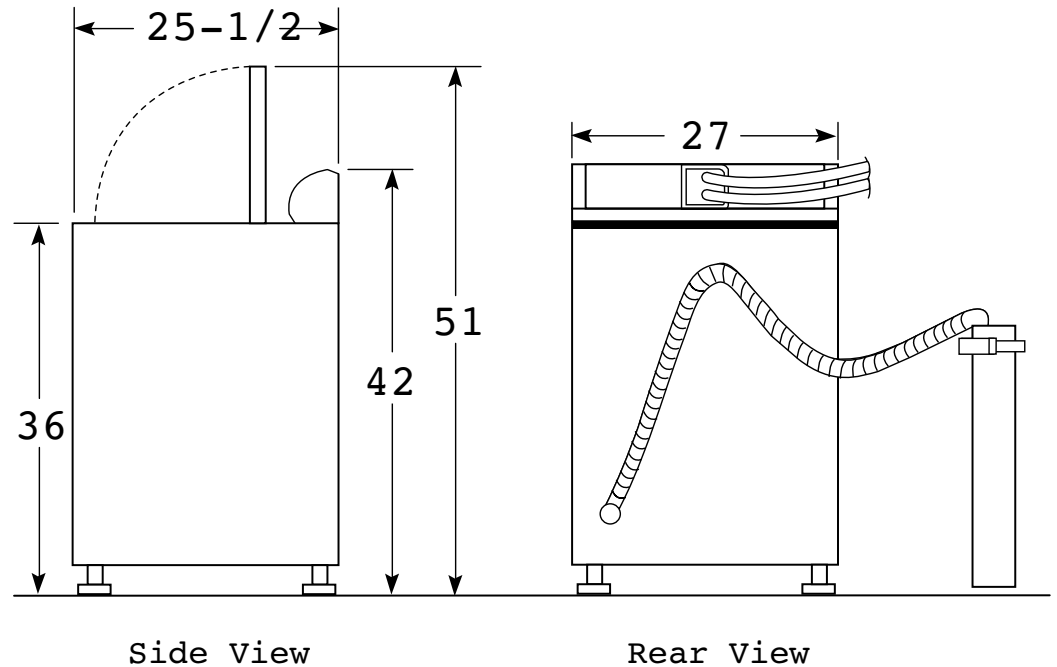
Dimensions and Installation Information (in inches)

Circuit Requirements: An individual, properly-grounded branch circuit, with a three-prong grounding-type receptacle, protected by a 15 or 20 amp circuit breaker or a time-delay fuse, is required.

Electrical Rating: 120V, 60Hz, 10A

Note: Washer wall outlet must be located within 36" of service code entry. Wall outlet must not be located behind dryer.

Installation Information: Before installing, consult installation instructions packed with product for current dimensional data.



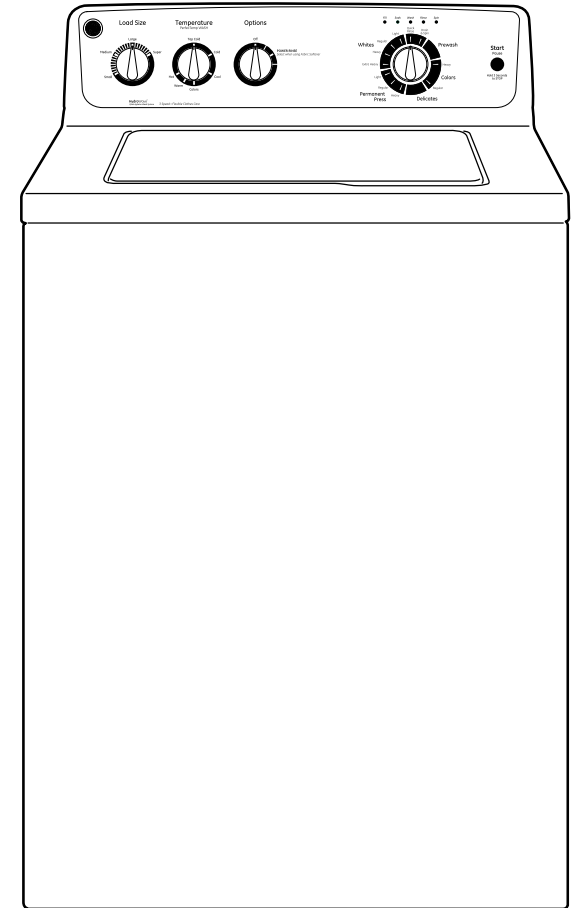
For answers to your Monogram® Cafe™ Series, Profile™ Series or GE® appliance questions, visit our website at geappliances.com or call GE Answer Center® service, 800.626.2000.



GTWP2000F GE® 3.7 DOE cu. ft. capacity washer

Features and Benefits

- Dual-Action Agitator - Provides gentle, dual-wash action
- Extra Action ribbed basket - Removes more moisture than smooth baskets
- Electronic controls with cycle status lights - Provide accurate cycle times
- 13 wash cycles - Handle various fabrics and soils
- 4 water levels - Select water level based on load size
- 3 wash/2 spin speeds - Washer alternates wash and spin speeds for great clothes care
- Bleach and fabric softener dispensers - Save time doing laundry with dispensers that automatically release the right amount for optimal performance and cleaning with any load
- 630 RPM spin speed - Fast spin speeds remove water efficiently and minimize dry times
- Power Rinse - Optional deep rinse cycle ensures clothes are rinsed of soap and fabric softener
- Model GTWP2000FWW – White



Modified Energy Factor (MEF)	1.26
Water Factor (WF)	9.5