



Models: ABN12 ABN24 ABM18
ABN14 ABM14 ABM22
ABN18 ABM15 ABM24

Air Conditioner

Owner's Manual

	<i>Important Safety Information</i>	3
---	--	----------

	<i>Operating Instructions</i> <i>The Controls on Your Air Conditioner</i> <i>Care of Product</i>	4
---	---	----------

	<i>Installation Instructions</i> <i>Important Electrical Safety</i> <i>Window Installation</i> <i>Through-the-Wall Installation</i>	7
--	---	----------

	<i>Helpful Information</i> <i>Things That Are Normal</i>	15
---	--	-----------

	<i>If Something Goes Wrong</i> <i>Before You Call for Service</i> <i>GE Service Numbers</i> <i>Warranty</i>	16
---	---	-----------

GE Answer Center[®]
800.626.2000

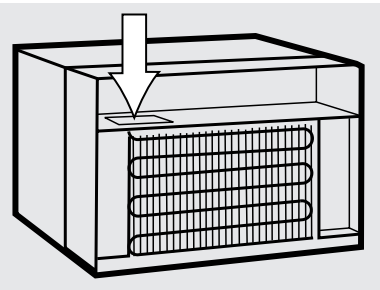
GE Appliances

Welcome

Welcome to the GE family. We're proud of our quality products and we believe in dependable service. You'll see it in this easy-to-use manual and you'll hear it in the friendly voices of our customer service department.

Best of all, you'll experience these values each time you enjoy the comfort of your air conditioner. That's important, because your new air conditioner will be part of your family for a long time.

Start Here!...Before using your air conditioner



Write down the model and serial numbers here. They are on a label on the left side of the air conditioner below the air discharge area.

Model number

Serial number

Date of purchase

Staple your receipt to the inside back cover of this manual. You will need it to obtain service under warranty.

Need Help?

*Help us
help you*

800.626.2000

Before you call for service, there are a few things you can do to help us serve you better.

Read this manual. It contains instructions to help you use and maintain your air conditioner properly.

Save time and money. Check the section titled "If Something Goes Wrong" before calling. This section helps you to solve common problems that might occur.

If you do need service, you can relax knowing help is only a phone call away. A list of toll-free customer service numbers is included in the back of this book. Or call the GE Answer Center[®] at 800.626.2000, 24 hours a day, 7 days a week.

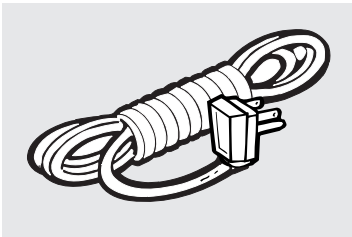
IMPORTANT SAFETY INFORMATION

READ ALL SAFETY INFORMATION BEFORE USING



- This air conditioner must be properly installed in accordance with the Installation Instructions before it is used.
 - Repair or replace immediately all electric service cords that have become frayed or otherwise damaged.
 - Turn the mode control knob to **OFF** and unplug your air conditioner before making any repairs.
- NOTE:** We strongly recommend that any servicing be performed by a qualified individual.

Extension Cord

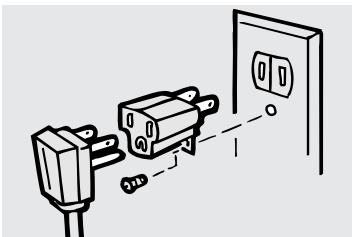


If an extension cord is required to reach the nearest wall receptacle, use only a UL-listed, 3-wire, grounded, 14 gauge, 15A, 125V appliance extension cord. For models with nameplate ratings greater than 12 amperes, do not use an extension cord.

⚠ CAUTION:

DO NOT use an extension cord with any of the 208/230-volt models.

Adapter Plug



This is a temporary method. UL-listed adapters are available at most hardware stores.

Because most 2-prong outlets are not grounded, we strongly advise against using an adapter plug. However, a temporary connection may be made where local codes permit and if the 2-prong wall outlet is properly grounded.

When you plug the adapter in, make sure the larger prong goes into the larger slot to provide the proper polarity for the power cord.

FOR PROPER GROUNDING:

- 1 Screw the adapter to the outlet, using the outlet cover screw.**
- 2 Ground the outlet through the house wiring.**

When disconnecting the power cord from the adapter, hold the adapter close to the outlet while pulling the plug out. If this is not done, the grounding connector is likely to break with repeated use.

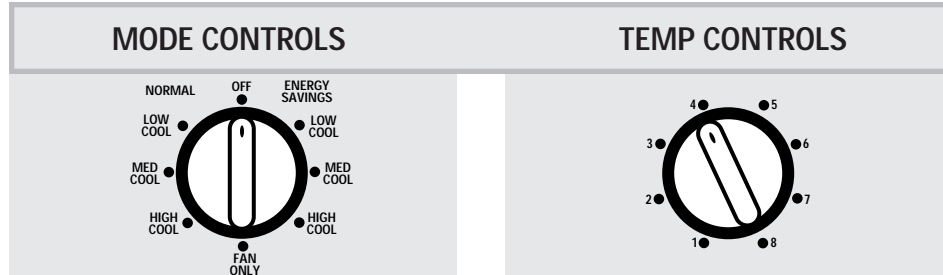
If the grounding connector breaks, **DO NOT USE** the air conditioner until a proper ground has again been made.

SAVE THESE INSTRUCTIONS

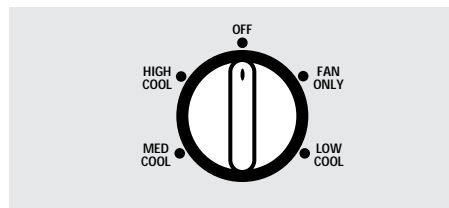
Operating Instructions



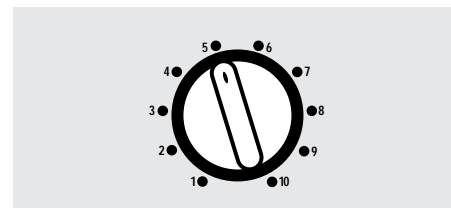
The controls on your air conditioner



Your model will look like one of these.



1



2

1 Mode Control

HIGH COOL, MED COOL and *LOW COOL* provide cooling with different fan speeds.

FAN ONLY provides air circulation and filtering without cooling.

NOTE:

If you move the switch from a cool setting to OFF or to a fan setting, wait at least 3 minutes before switching back to a cool setting.

2 Temp Control

The temp control is used to maintain the room temperature. The compressor will cycle on and off to keep the room at the same level of comfort. The higher the number selected, the cooler the indoor air will become.

The blower runs as long as the Mode Control is not on *OFF*.

Cooling Descriptions



FOR NORMAL COOLING

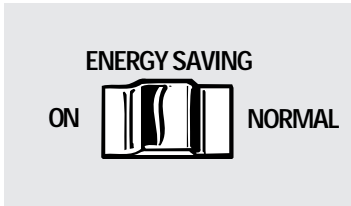
Select **MED COOL** with the temp at 4 or 5.

FOR MAXIMUM COOLING

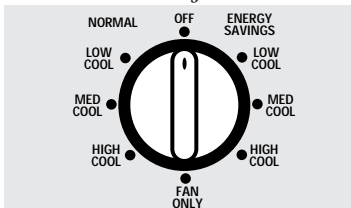
Select **HIGH COOL** with the temp at 8 or 10.

FOR QUIETER & NIGHTTIME COOLING

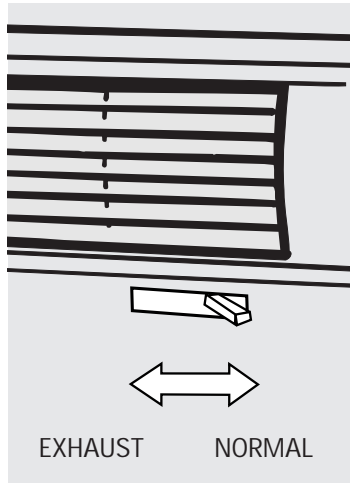
Select **LOW COOL** with the temp at 3 or 4.



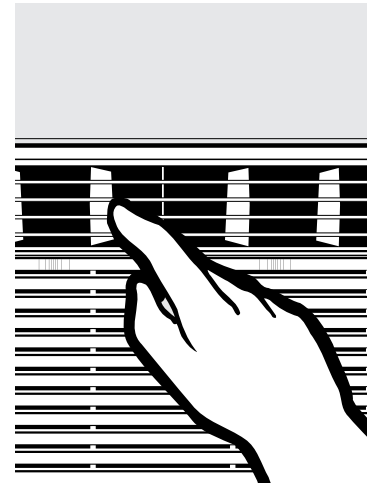
Your model will look like one of these.



3



4



5

3 Energy Saving

The energy saving switch controls the fan. On some models, this feature is on the mode control knob. Other models use a separate selector switch.

ON or **ENERGY SAVING**—the fan and compressor cycle on and off together. This results in wider variations of room temperature and humidity. Normally used when the room is unoccupied.

NORMAL—the fan runs all the time, while the compressor cycles on and off. This switch must be set at **NORMAL** in order to use the fan setting (on the mode control).

4 Vent Control

The vent control is a lever located on the control panel. When the vent control is set at normal, only the air inside the room is circulated, cooled and filtered.

When set at exhaust, some indoor air will be exhausted from the room. This will reduce the cooling effect.

5 Air Direction

Tabs inside the horizontal louvers let you control the air direction left, right or straight ahead.



Operating Instructions

Care & Cleaning

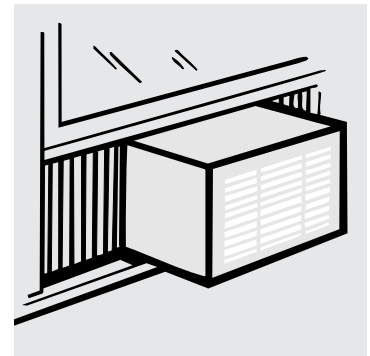
Grille and Case

Turn the air conditioner off and remove the plug from the wall outlet before cleaning.

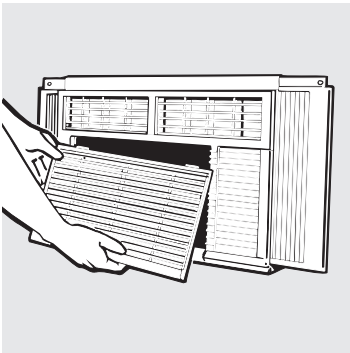
To clean, use water and a mild detergent. Do not use bleach or abrasives.

Outdoor Coils

The coils on the outdoor side of the air conditioner should be checked regularly. If they are clogged with dirt or soot they may be professionally steam cleaned, a service available through your GE service outlet.



Front Grille and Air Filter



The air filter is behind the front grille insert and should be checked and cleaned at least every 30 days or more often if necessary.

To remove the front grille insert:
Place your hand on the bottom of the front grille. Pull it out and down to release the tabs.

Remove the air filter. The filter can be washed in warm soapy water. Rinse and let the filter dry before replacing it.

To replace the grille insert:
Hook the tabs on the left and right side. Gently press until it snaps into place.

⚠ CAUTION:
DO NOT operate the air conditioner without a filter because dirt and lint will clog the unit and reduce performance.

Installation Instructions

Important Electrical Safety—Read Carefully



Important Notes

Installer: Leave these instructions with the appliance.

Owner: Keep these instructions for future use.

- For personal safety, this air conditioner must be properly grounded.
- It is important to have the wall outlet and circuit checked by a qualified electrician if there is any doubt as to whether a proper ground exists.
- Follow National Electrical Code (NEC) or local codes and ordinances.

⚠ CAUTION:

- *Do not, under any circumstances, cut or remove the third (ground) prong from the power cord.*
- *Do not change the plug on the power cord of this air conditioner.*
- *Aluminum house wiring may present special problems—consult a qualified electrician.*

Electrical Requirements



Parallel
115V., 15 Amp.



Perpendicular
230/208V., 20 Amp.



Tandem
230/208V., 15 Amp.



Large Tandem
230/208V., 30 Amp.

The 230/208-volt models require their own single branch circuit supplying 230/208-volt a.c., protected with a time delay fuse or circuit breaker.

This is recommended for best performance and to prevent overloading house wiring circuits, which could cause a possible fire hazard from overheating wires.

The 115-volt models require a 115/120-volt a.c., 60 Hz grounded outlet protected with a 15-amp time delay fuse or circuit breaker.

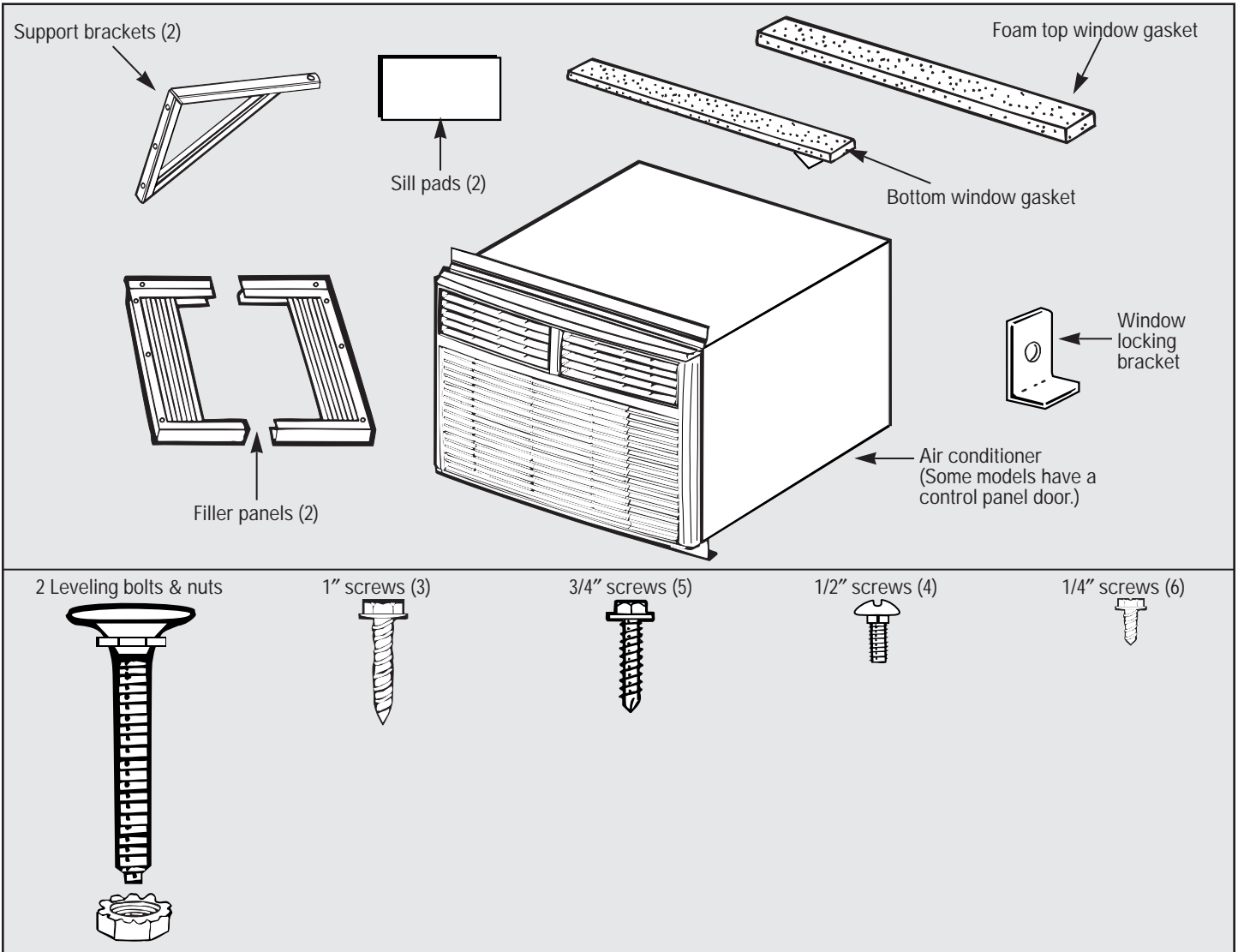
The 3-prong grounding plug minimizes the possibility of electric shock hazard. If the wall outlet you plan to use is only a 2-prong outlet, it is your responsibility to have it replaced with a properly grounded 3-prong wall outlet.



Installation Instructions

Before you begin

Parts Included



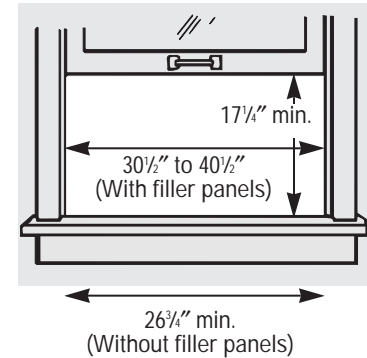
Tools Needed

- Blade-type screwdriver
- 1/4" hex-head nut driver
- 9/16" open-end or adjustable wrench
- Ruler or tape measure
- Scissors or knife
- Level
- Pencil



Window Requirements

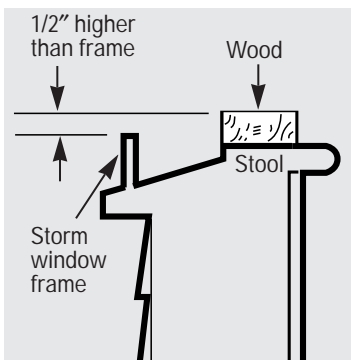
- These instructions are for a standard double-hung window. You will need to modify them for other types of windows.
- The air conditioner can be installed without the filler panels if needed to fit in a narrow window. See the window opening dimensions to the right.
- All supporting parts should be secured to firm wood, masonry or metal.
- The electrical outlet must be within reach of the power cord. Do not use an extension cord.



Window opening dimensions are for a standard double-hung window.

Storm Window Requirements

A storm window frame will not allow the air conditioner to tilt towards the outside and will keep it from draining properly. To adjust for this, attach a piece of wood to the stool.



WOOD PIECES:

WIDTH: 2"

LENGTH: Long enough to fit inside the window frame.

THICKNESS: To determine the thickness, place a piece of wood on the stool to make it 1/2" higher than the top of the storm window frame.

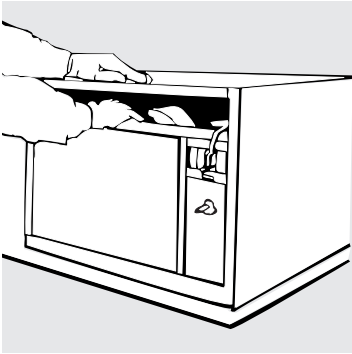
Attach securely with nails or screws provided by the installer.



Installation Instructions

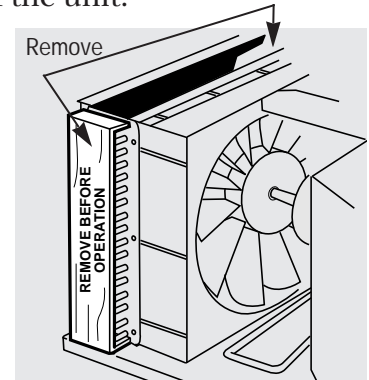
Read completely then follow step-by-step

Remove the Air Conditioner From the Case

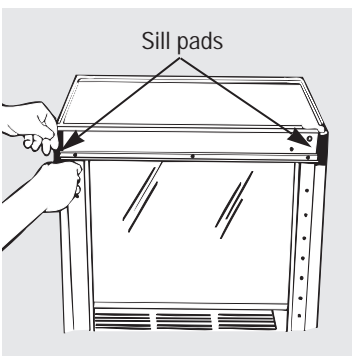


- 1 Remove the front grille insert and the air filter.
- 2 Remove the control knobs by pulling straight off.
- 3 Remove the 4 screws behind the air filter area that hold the front grille to the case. Remove the lower front screw at the bottom of the control panel. Save these screws. You will need them at the end of the installation.
- 4 Remove the 2 screws on the outside of the case that hold the case to the unit. Remove the air conditioner by grasping inside of the unit and pulling forward.

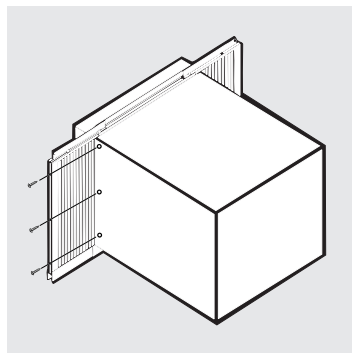
- 5 Remove the cardboard that protects the coils on the sides of the unit.



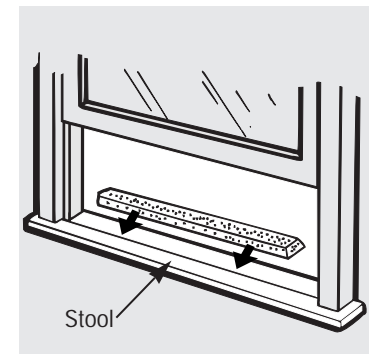
Prepare the Case and the Window



- 1 Turn the case so that its open end is up. Apply one sill pad to each side of the bottom front corner of the case.
- 2 Insert the right and left hand filler panels into the top and bottom rails. Secure them with six 1/4" screws, three on each side.

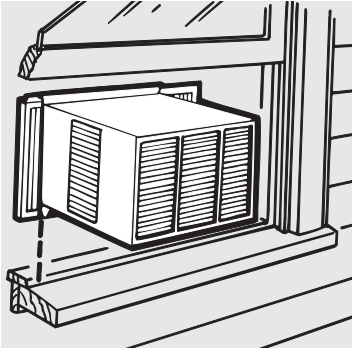


- 3 Peel the backing off the bottom window gasket and place onto the backside of the window stool.

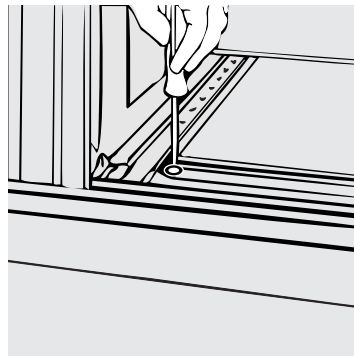




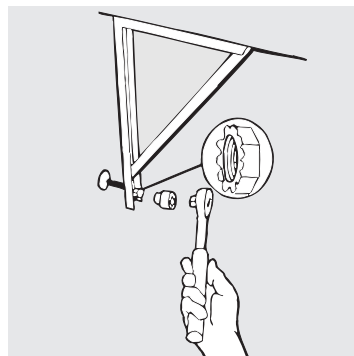
Install the Case and the Support Brackets



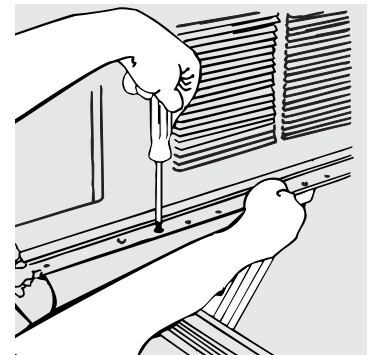
- 1 Center the case in the window. Lower the window until it touches behind the air conditioner top rail. Make sure the bottom rail is behind the window stool.
- 2 Locate the 3 holes that are on the plate at the front of the case. Drill 1/8" pilot holes. Using 3 1" screws attach the case to the window stool.



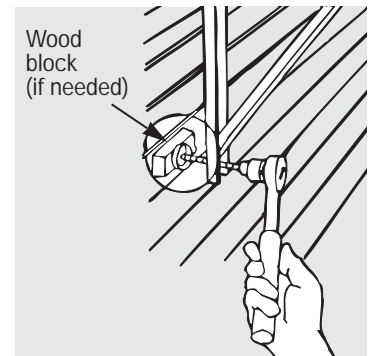
- 3 Assemble the 2 leveling bolts and nuts to the support brackets.



- 4 Attach the support brackets to the bottom of the case with 1/2" screws, 2 on each side.



- 5 On the outside, turn the leveling bolts until each one makes contact with the wall. Make sure the back of the case tilts 1/4" to 3/8" lower than the front. Tighten the nuts.



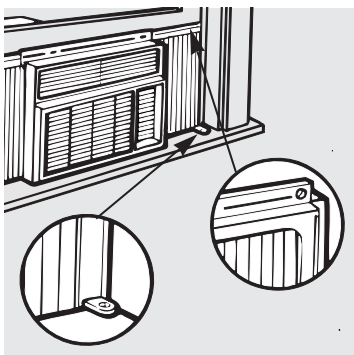
⚠ CAUTION:

- Use a wood block between the leveling bolts and the wall if the outside wall is weak or if the weight of the air conditioner falls between the studs in the wall.



Installation Instructions

Slide Out the Filler Panels

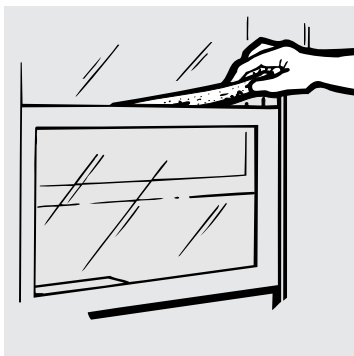


- 1 Extend the filler panels on both sides until they touch the window tracks.
- 2 Secure the top and the bottom with four 3/4" long screws on each side.

INSTALLATION WITHOUT THE FILLER PANELS

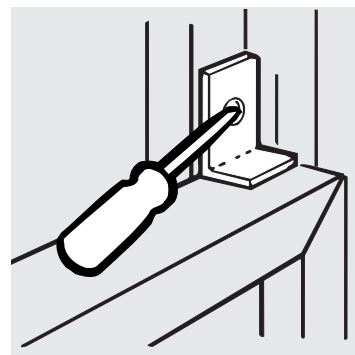
If filler is required on the sides of the air conditioner, cut filler sheet (not supplied) to size and fill both sides.

Install the Window Gasket and the Locking Bracket



- 1 Cut the foam top window gasket to the window width.
- 2 Stuff the foam between the glass and the window to prevent air and insects from getting into the room.

- 3 Attach the window locking bracket with a 3/4" screw.



Replace the Air Conditioner in the Case

- 1 Carefully slide the air conditioner back into the case and replace the 2 screws which secure the unit to the case.
- 2 Reinstall the front grille and 5 screws removed earlier. Attach the air filter, front grille insert and control knobs.

⚠ CAUTION:

- To avoid injury, use additional help to lift and move the air conditioner back into the case.
- DO NOT lift the window sash while the air conditioner is installed in the case. Always remove the unit before raising the window to avoid injury and damage to the air conditioner.

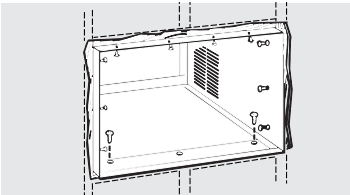


Through-the-Wall Installation

Remove the Air Conditioner from the Case

- 1 Remove the front grille insert, air filter and the front grille.
 - 2 Remove the two grounding/anti-theft screws from either side of the case.
 - 3 Slide the air conditioner from the case by pulling on the bottom lip of the air conditioner while holding the case.
- For specific instructions, refer to Window Installation Instructions.

Install the Case in the Wall

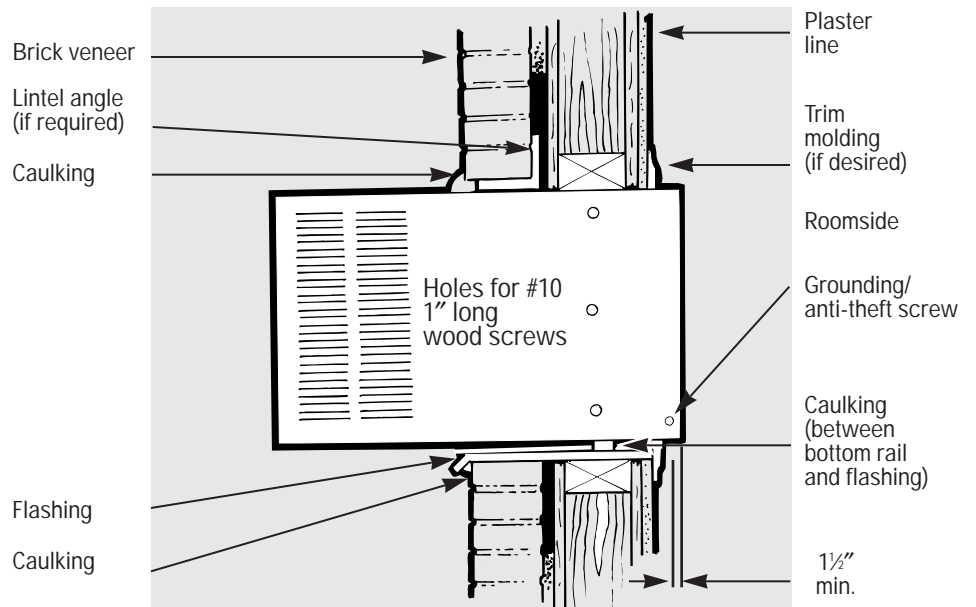


- 1 Place the case in the wall opening with a 1/4" minimum tilt to the outside.
- 2 Secure the bottom rail, case sides and top to the wooden frame using 1" long #10 screws.

NOTE:
Drill holes in the case sides and top, if necessary, for proper installation. If the frame is oversized, use shims to prevent cabinet distortion.

Finish the Wall Opening

- 1 Caulk the sides and the top on the outdoor side of the case. On the roomside, caulk around the bottom rail to prevent moisture from getting through to the interior wall.
- 2 Install wood trim molding, if desired, on the inside wall around the case.





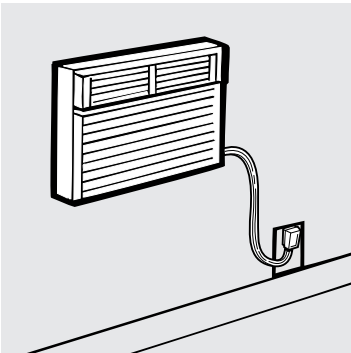
Installation Instructions

Support Brackets

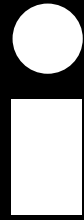
Support brackets are recommended for walls under 5" thick. Refer to the assembly of the support brackets in the Window Installation.

A wooden strip secured to the outside wall should be used with the sill support brackets.





Replace the Air Conditioner



- 1 Slide the air conditioner into the case and replace the front grille.
- 2 Install the two ground/anti-theft screws removed at the beginning of the installation.
- 3 Make sure the unit is **OFF** before plugging into the outlet.
- 4 Use the putty to fill in holes or air leaks.



Things That Are Normal

Noise	Explanation
PING! 	You may hear a pinging noise caused by water being picked up and thrown against the condenser on rainy days or when the humidity is high. This design feature helps remove moisture and improve efficiency.
"CLICK" 	You may hear the thermostat click when the compressor cycles on and off.
DRIP 	Water will collect in the base pan during high humidity or on rainy days. The water may overflow and drip from the outdoor side of the unit.
WHIR! 	The fan may run even when the compressor is not.



If Something Goes Wrong

Before You Call for Service

<i>Problem</i>	<i>Possible Causes</i>	<i>What to Do</i>
Air Conditioner Doesn't Start	The air conditioner is unplugged	<ul style="list-style-type: none">• Make sure the air conditioner plug is pushed completely into the outlet.
	The fuse is blown/circuit breaker is tripped	<ul style="list-style-type: none">• Check the house fuse/circuit breaker box and replace fuse or reset the breaker.
	Power failure	<ul style="list-style-type: none">• If power failure occurs, turn the mode control to OFF. When power is restored, wait 3 minutes to restart the air conditioner to prevent tripping of the compressor overload.
Air Conditioner Does Not Cool as it Should	Airflow is restricted	<ul style="list-style-type: none">• Make sure there are no curtains, blinds or furniture blocking the front of the air conditioner.
	The temp control may not be set high enough	<ul style="list-style-type: none">• Turn the knob to a higher number. The highest setting provides maximum cooling.
	The air filter is dirty	<ul style="list-style-type: none">• Clean the filter at least every 30 days. See the Care and Cleaning section.
	The room may have been hot	<ul style="list-style-type: none">• When the air conditioner is first turned on you need to allow time for the room to cool down.
	Cold air is escaping	<ul style="list-style-type: none">• Check for open furnace floor registers and cold air returns.• Set the vent in the closed position.
	Cooling coils have iced up	<ul style="list-style-type: none">• See freezing up below.
Air Conditioner Freezing Up	Ice blocks the air flow and stops the air conditioner from cooling the room	<ul style="list-style-type: none">• Set the mode control at FAN ONLY or HIGH COOL with the temp at 1 or 2.

GE Service Numbers

We'll be there!



GE Answer Center®

800.626.2000

**TDD
800-833-4322**

Open 24 hours a day,
7 days a week.

In-Home Repair Service

**800-GE-CARES
(800-432-2737)**

We provide expert repair service,
scheduled at a time that's
convenient for you.

Our factory-trained technicians
know your appliance inside and out—
so most repairs can be handled in
just one visit.

Service Contracts

800-626-2224

With a service contract GE
Consumer Service will still be there
after your warranty expires.

With a multiple-year contract,
you're assured of future service at
today's prices.

Parts and Accessories

800-626-2002

Individuals qualified to service
their own appliances can have
parts or accessories sent directly
to their home.

VISA, MasterCard and Discover
cards are accepted.

**Care and cleaning instructions con-
tained in this manual cover proce-
dures to be performed by any user.
Other servicing generally should be
referred to qualified service person-
nel. Caution must be exercised,
since improper servicing may cause
unsafe operation.**

Further Service

If for some reason you
are not happy with the
service you receive, here
are three steps to follow
for further help.

First, contact the people who ser-
viced your appliance. Explain why
you are not pleased.

Next, if you are still not pleased,
write all the details—including
your phone number—to:

Consumer Relations
GE Appliances
Louisville, KY 40225

Finally, if your problem is still
not resolved, write:

Major Appliance
Consumer Action Program
20 North Wacker Drive
Chicago, IL 60606

AIR CONDITIONER WARRANTY

Staple sales slip or cancelled check here. Proof of original purchase date is needed to obtain service under warranty.

What is Covered

FULL ONE-YEAR WARRANTY

For one year from date of original purchase, we will provide, free of charge, parts and service labor in your home to repair or replace *any part of the room air conditioner* that fails because of a manufacturing defect.

FULL FIVE-YEAR WARRANTY

For five years from the date of original purchase, we will provide, free of charge, parts and service labor in your home to repair or replace *any part of the sealed refrigerating system* (the compressor, condenser, evaporator and all connecting tubing) that fails because of a manufacturing defect.

This warranty is extended to the original purchaser and any succeeding owner for products purchased for use in the 48 mainland states, Hawaii and Washington, D.C. In Alaska the warranty is the same except that it is LIMITED because you must pay to ship the product to the service shop or for the service technician's travel costs to your home.

All warranty service will be provided by our Factory Service Centers or by our authorized Customer Care® servicers during normal working hours.

Should your appliance need service, during warranty period or beyond, call 800-GE-CARES (800-432-2737).

What is Not Covered

- Service trips to your home to teach you how to use the product.

Read your Owner's Manual. If you then have any questions about operating the product, please contact your dealer or our Consumer Affairs office at the address below, or call, toll free:

GE Answer Center®
800.626.2000
consumer information service

- Improper installation.

If you have an installation problem, or if the air conditioner is of improper cooling capacity for the intended use, contact your dealer or installer. You are responsible for providing adequate electrical connecting facilities.

- Replacement of house fuses or resetting of circuit breakers.
- In commercial locations labor necessary to move the unit to a location where it is accessible for service by an individual technician.
- Failure of the product resulting from modifications to the product or due to unreasonable use including failure to provide reasonable and necessary maintenance.
- Failure due to corrosion on models not corrosion-protected.
- Damage to product caused by improper power supply voltage, accident, fire, floods or acts of God.

WARRANTOR IS NOT RESPONSIBLE FOR CONSEQUENTIAL DAMAGES.

Some states do not allow the exclusion or limitation of incidental or consequential damages, so the above limitation or exclusion may not apply to you. This warranty gives you specific legal rights, and you may also have other rights which vary from state to state. To know what your legal rights are in your state, consult your local or state consumer affairs office or your state's Attorney General.

Warrantor: General Electric Company

**If further help is needed concerning this warranty, write:
Manager—Consumer Affairs, GE Appliances, Louisville, KY 40225**