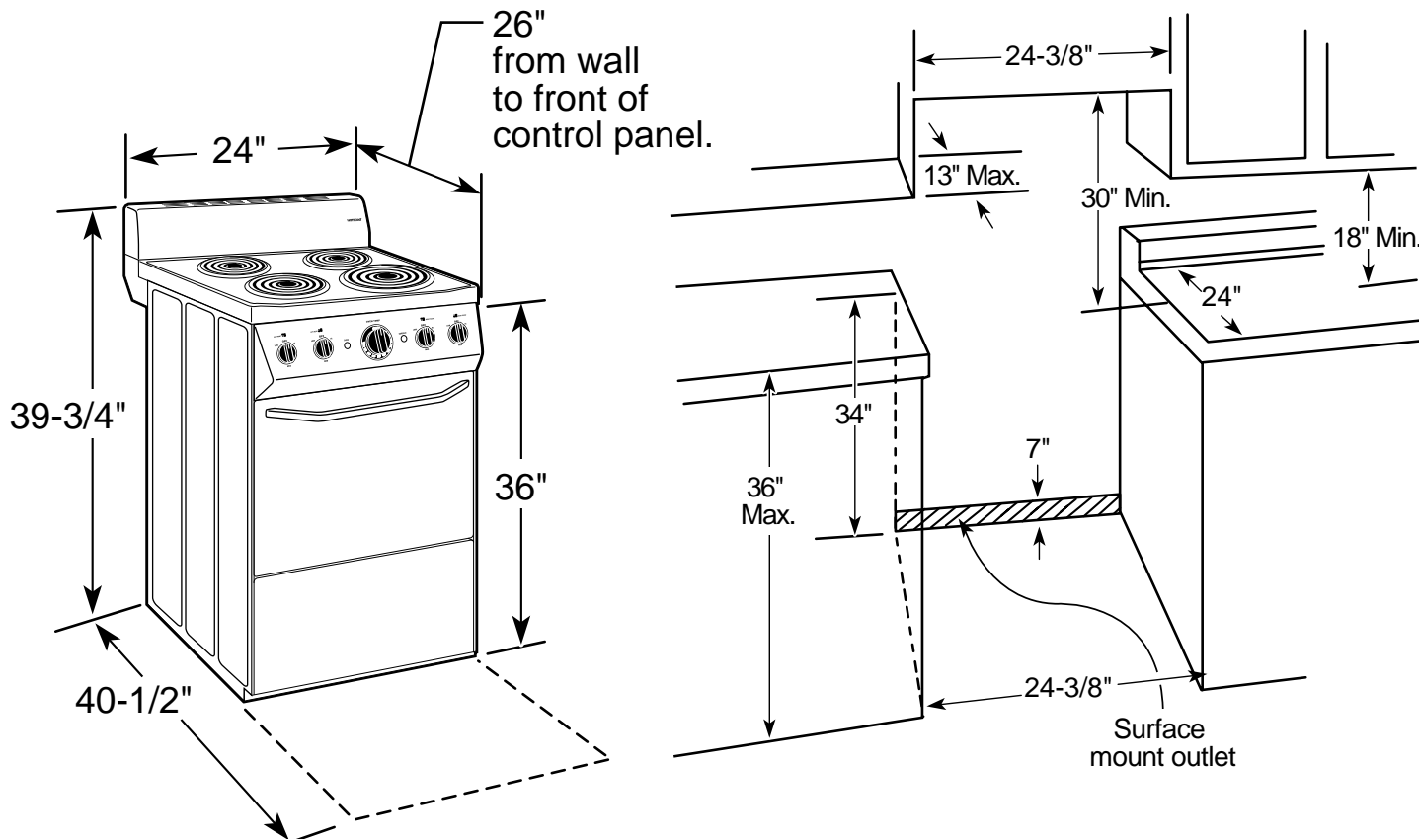


HOTPOINT®

RA624F – Hotpoint 24" Free-Standing Electric Range

Dimensions (in inches)



KW Rating	
240V	8.43
208V	6.47

Note: 24" Ranges conform to U.L. requirements for 0" spacing from range to adjacent walls below countertop.

Receptacle locations

Locally approved flexible service cord or conduit must be used because terminals are not accessible after range installation. See shaded area in drawings for location of electrical outlet box. Recommended outlet locations allow range to be installed directly against rear wall.

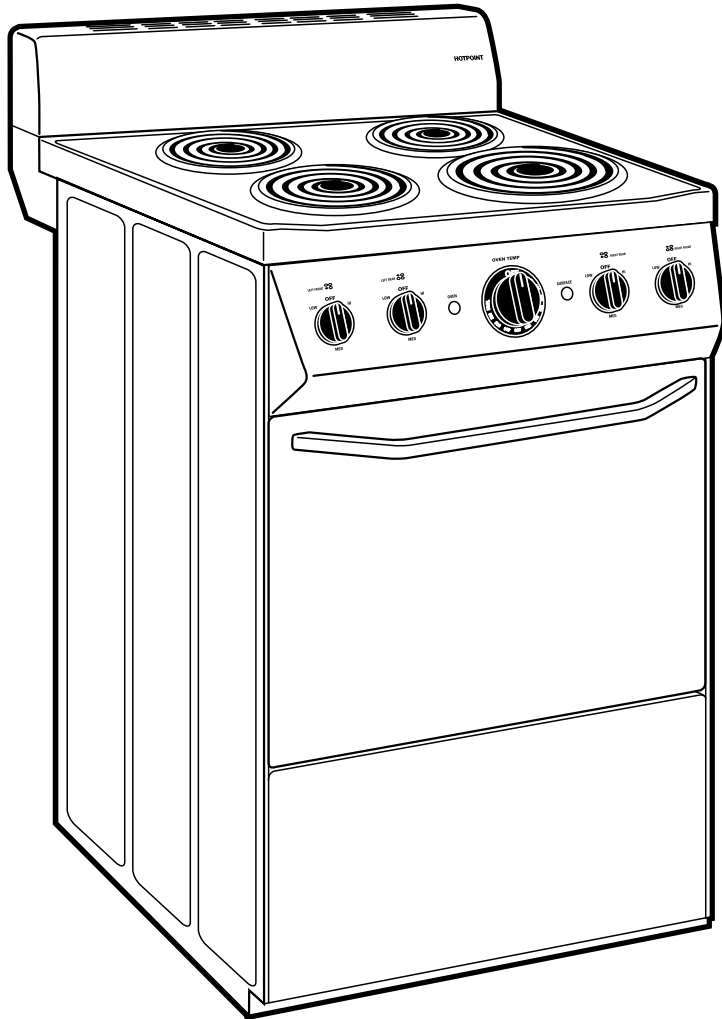
Specification Created 11/02



All GE ranges are equipped with an Anti-Tip device. The installation of this device is an important, required step in the installation of the range.

HOTPOINT®

RA624F – Hotpoint 24" Free-Standing Electric Range



Features and Benefits

- Recessed Lift-Up Cooktop With Porcelain-Enameled Subtop
- One 8" and Three 6" Plug-In Heating Elements
- Chrome Removable Drip Bowls
- Two Heating Element "On" Indicator Lights
- Standard Clean Oven
- Push-To-Turn Controls
- Broiler Pan With Grid
- Model RA624FWH – White