

# PVX7360SJ/FJ

## GE Profile™ 36" Under-The-Cabinet Hood

### DIMENSIONS AND INSTALLATION INFORMATION (IN INCHES)

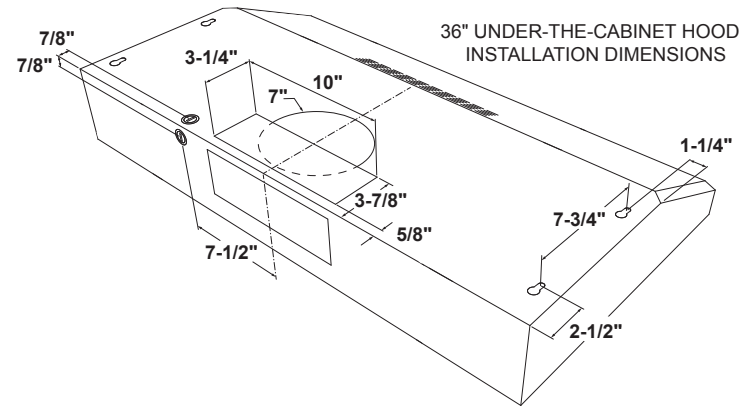
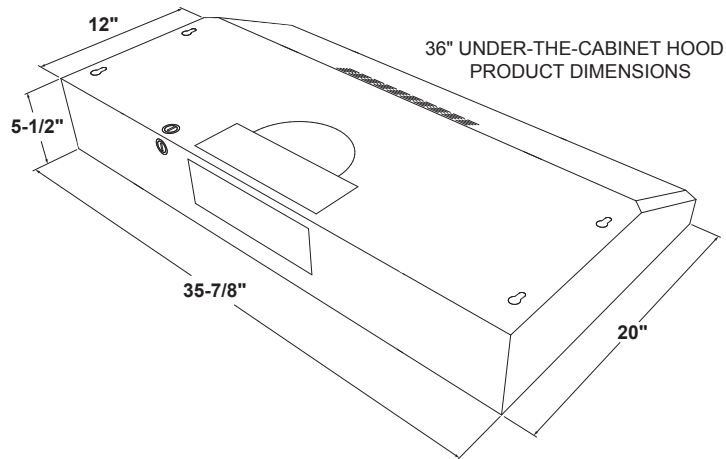
WB02X11537 replacement grease filter and JXCF55 replacement charcoal filter are available at additional cost. Call toll-free 800.626.2000.

**INSTALLATION INFORMATION:** Before installing, consult consult installation instructions packed with product, for current dimensional data.

#### ADDITIONAL ACCESSORIES:

JXS56SS 15" cabinet spacer  
UXRC70 remote control

AMP RATING	
120V	2.5



Exhaust outlet connects to 3-1/4" x 10" rectangular duct. Vent top or rear. Includes rectangular damper.



For answers to your Monogram, Café™, GE Profile™ or GE Appliances product questions, visit our website at [geappliances.com](http://geappliances.com) or call GE Answer Center® Service, 800.626.2000.



Listed by  
Underwriters  
Laboratories



# PVX7360SJ/FJ

## GE Profile™ 36" Under-The-Cabinet Hood

### FEATURES AND BENEFITS

Easy installation - 10 minutes or less by one person

Four-speed with boost, 390 CFM venting system - Removes smoke, grease, odors and moisture

Glass touch controls - Set functions quickly and clean with little effort

Dual LED lighting with night-light - Choose bright light while cooking or low light at night

Chef Connect - Sync your hood with your range using Bluetooth to automatically control your hood's lights and fan

Auto-off - Set the vent hood to automatically shut off after 15 minutes

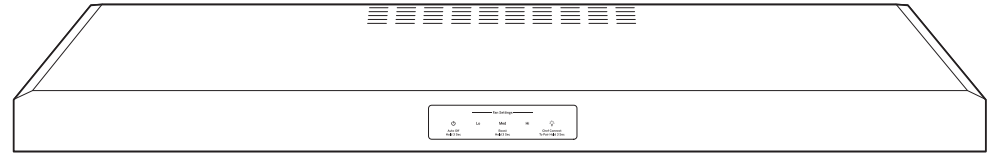
Convertible venting options - Select recirculating or external venting

Appearance (Fully enclosed bottom) - Enjoy a sleek appearance from every angle

Optional remote control - Control your ventilation lighting and fan speed from anywhere in the kitchen

Model PVX7300SJSS - Stainless steel

Model PVX7360FJDS - Black slate



<b>CFM/SONES RATINGS</b>	
Exhaust Boost Speed (BS)	390/8.0
Exhaust High Speed (HS)	310/6.0
Exhaust Medium Speed (MS)	210/4.0
Exhaust Low Speed (LS)	70/1.5



For answers to your Monogram, Café™, GE Profile™ or GE Appliances product questions, visit our website at [geappliances.com](http://geappliances.com) or call GE Answer Center® Service, 800.626.2000.