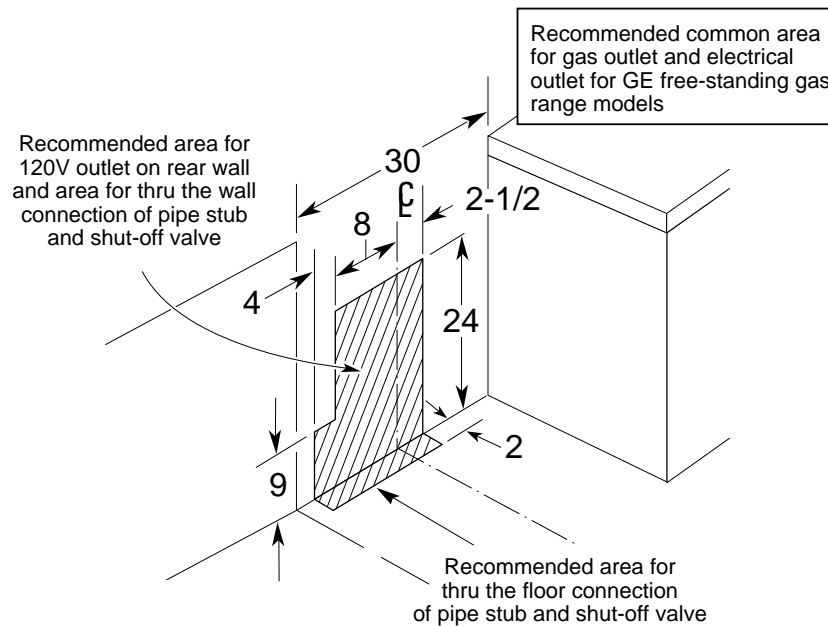
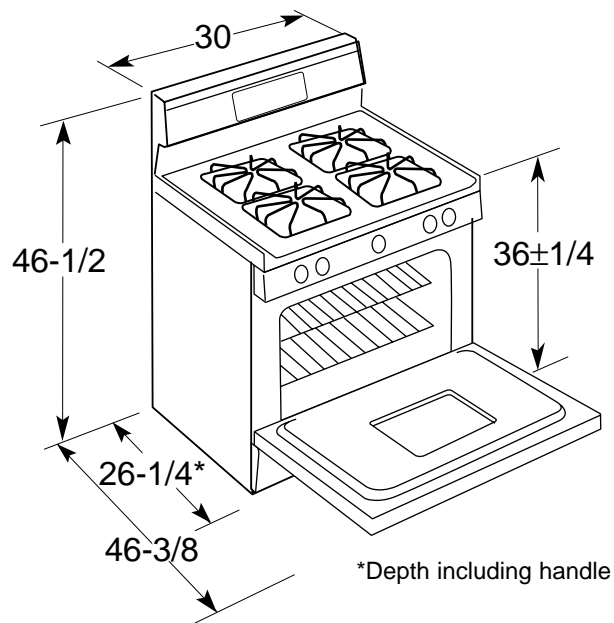


HOTPOINT

RGB535BEACT—30" Free-Standing Gas Range

Dimensions (in inches)



Installation Information:

Dimensions shown here are the same as those shown on the installation instructions at the time this sheet was printed. Before proceeding with installation, see your Hotpoint supplier for latest detailed preparation and installation instructions or install from the instructions packed with each unit.

Optional gas range accessory drip pans:

(Available at additional cost)
To order these accessory drip pans, call toll-free 800-626-2002.

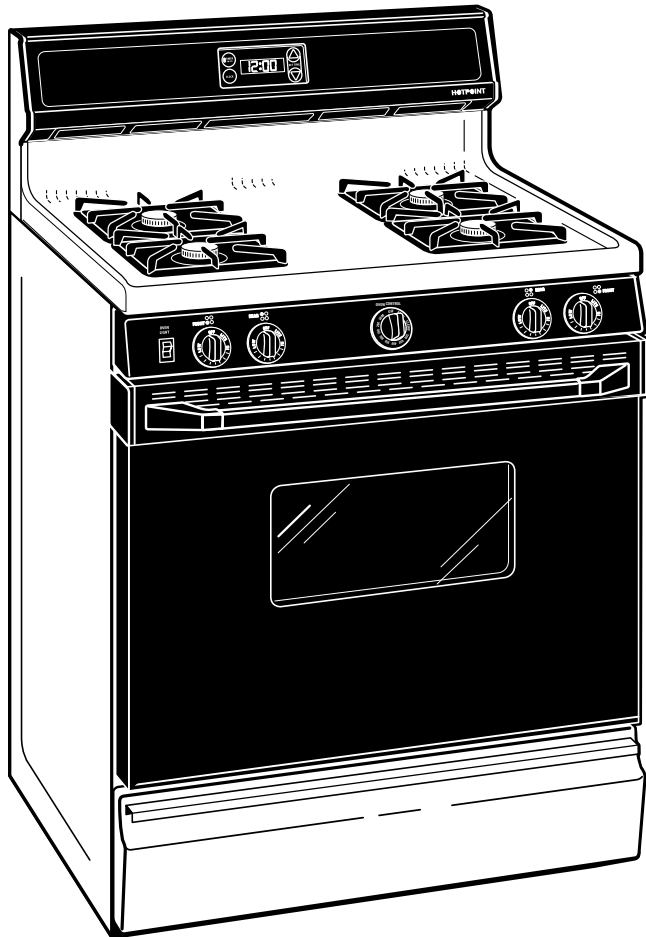


All GE ranges are equipped with an Anti-Tip device. The installation of this device is an important, required step in the installation of the range.



HOTPOINT

RGB535BEACT—30" Free-Standing Gas Range



Features and Benefits

- Upswept Porcelain-Enameled Cooktop
- Sealed Gas Burners
- 1 (12,000/1,000 BTU) Performance Plus Burner
- 2 (9,500/850 BTU) All-Purpose Burners
- 1 (5,000/600 BTU) Simmer 600 Burner
- Black Heavy Steel Removable Square Grates
- Black Porcelain-Enameled Removable Drip Pans
- Electronic Pilotless Ignition System
- Extra-Large Standard Clean Oven
- Electronic Clock & Minute Timer
- Slide Out Broiler Drawer
- 2 Oven Shelves / 6 Embossed Rack Positions
- Black Frameless Glass Oven Door with Window
- Designer-Style Handle
- LP Conversion Kit Included
- Model RGB535BEAWH—White
- Model RGB535BEAAD—Almond
- Model RGB535BEACT—Bisque