

Installation Instructions

Indoor Hearth Oven ZEP30

If you have questions, call GE Appliances at 800.GE.CARES (800.432.2737) or visit our website at: GEAppliances.com.

BEFORE YOU BEGIN

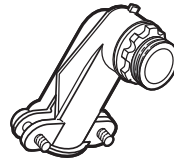
Read these instructions carefully and completely.

- **IMPORTANT** — Save these instructions for local inspector's use.
- **IMPORTANT** — Observe all governing codes and ordinances.
- **Note to Installer** – Be sure to leave these instructions with the consumer.
- **Note to Consumer** – Keep these instructions for future reference.
- Proper installation is the responsibility of the installer and product failure due to improper installation is NOT covered under warranty.
- **Note** – This appliance must be properly grounded.

ATTENTION INSTALLER

All electric wall ovens must be hard wired (direct wired) into an approved junction box. A plug and receptacle is NOT permitted on these products.

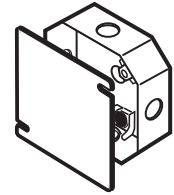
MATERIALS NEEDED



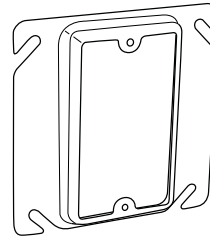
Option 1



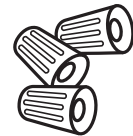
Option 2



Junction Box
(1 1/2 Depth Max.)



Plaster Ring
(Option 1)



Wire Nuts

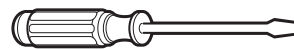
TOOLS NEEDED



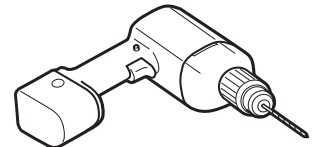
Wire Strippers



Phillips #2
Screwdriver

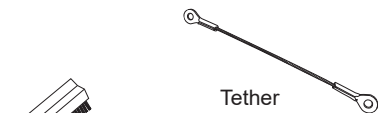


Flathead
Screwdriver



Drill and 3/32" drill bit

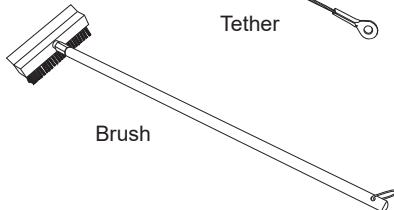
PARTS INCLUDED (Appearance will vary)



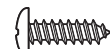
Tether



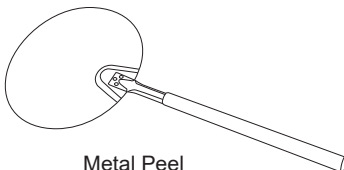
1" Drywall Screw



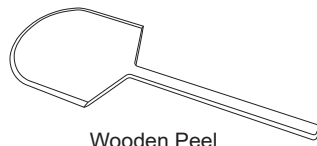
Brush



5/8" Phillips
Case Screw

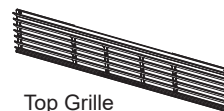


Metal Peel



Wooden Peel

TRIM KIT PARTS (Included with ZEP30F)



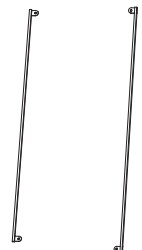
Top Grille



Bottom Grille



3/4" Phillips
Screws (4)



Side Trim

Installation Instructions

IMPORTANT SAFETY INSTRUCTIONS

FOR YOUR SAFETY

- Be sure your oven is installed properly by a qualified installer or service technician.
- Be sure the oven is securely installed in a cabinet that is firmly attached to the house structure. Never allow anyone to climb, sit, stand or hang on the oven.
- Make sure the cabinets and wall coverings around the oven can withstand the temperatures (up to 200°F [93.3°C]) generated by the oven.

⚠ WARNING The electrical power to the oven supply line must be shut off while line connections are being made. Failure to do so could result in serious injury or death.

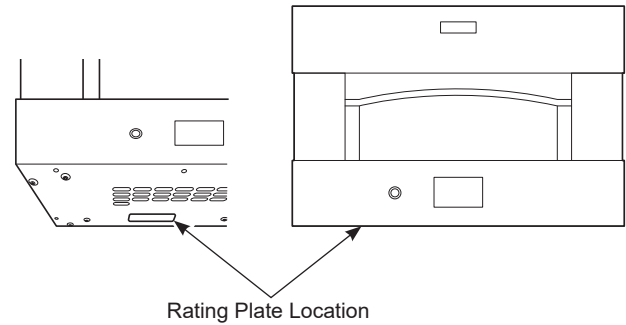
ELECTRICAL REQUIREMENTS

This appliance must be supplied with the proper voltage and frequency, and connected to an individual, properly grounded branch circuit, protected by a circuit breaker or fuse. See the rating plate located on the bottom of the front panel to determine the rating of the product. The chart below shows the minimum recommended dedicated circuit protection.

KW Rating 240V	KW Rating 208V	Required Circuit Size (Dedicated)
9.7 KW–12.0 KW	8.4 KW–10.4 KW	50 Amp

ELECTRICAL REQUIREMENTS

Rating plate is located on the bottom of the front panel.



We recommend you have the electrical wiring and hookup of your oven connected by a qualified electrician. After installation, have the electrician show you how to disconnect power from the range.

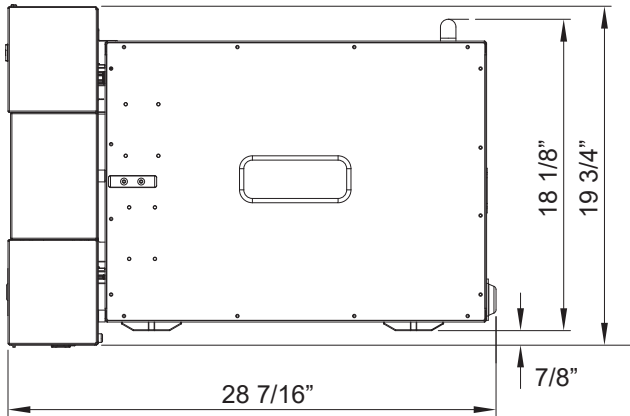
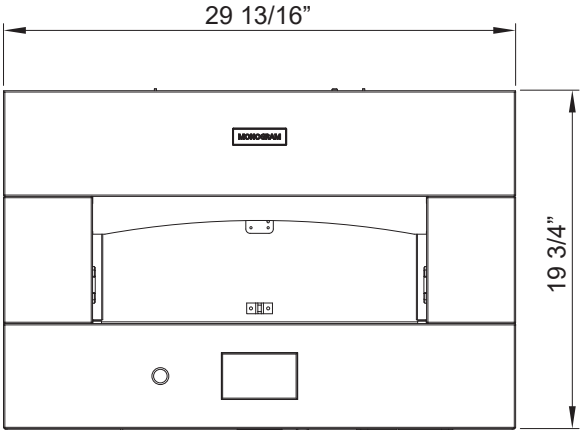
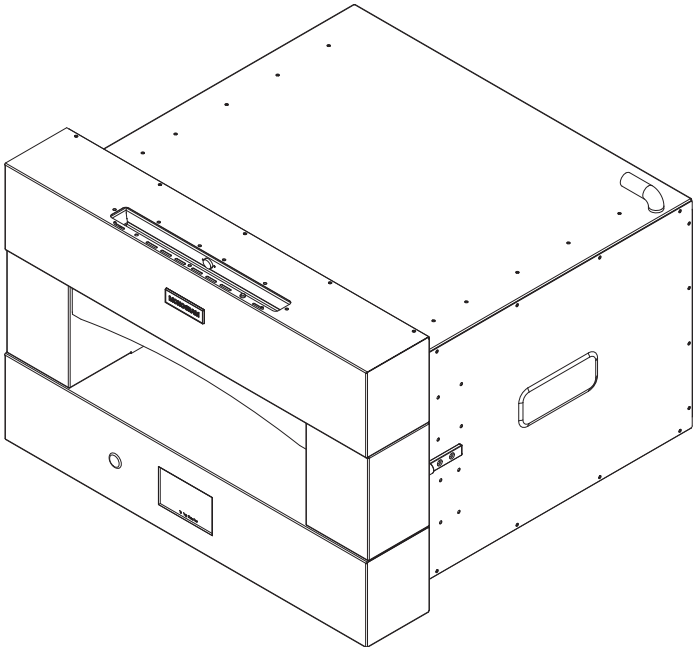
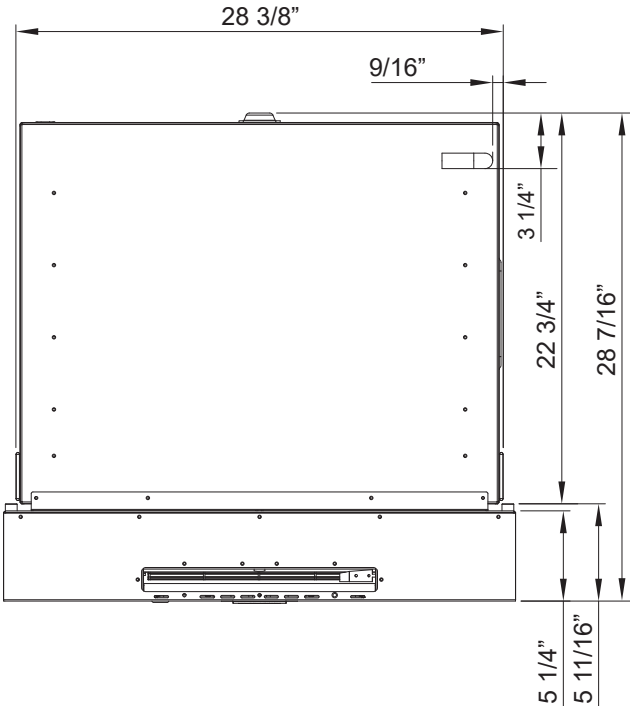
Check with your local utilities for electrical codes which apply in your area. Failure to wire your oven according to governing codes could result in a hazardous condition. If there are no local codes, your oven must be wired and fused to meet the requirements of the National Electrical Code, NFPA No. 70—Latest Edition, available from the National Fire Protection Association.

Effective January 1, 1996, the National Electrical Code requires that new, but not existing, construction utilize a four-conductor connection to an electric oven. When installing an electric oven in new construction, a mobile home, recreational vehicle or an area where local codes prohibit grounding through the neutral conductor, follow the instructions in the section on NEW CONSTRUCTION AND FOUR-CONDUCTOR BRANCH CIRCUIT CONNECTION.

You must use a single-phase 120/208 VAC or 120/240 VAC, 60 hertz electrical system. If you connect to aluminum wiring, properly installed connectors approved for use with aluminum wiring must be used.

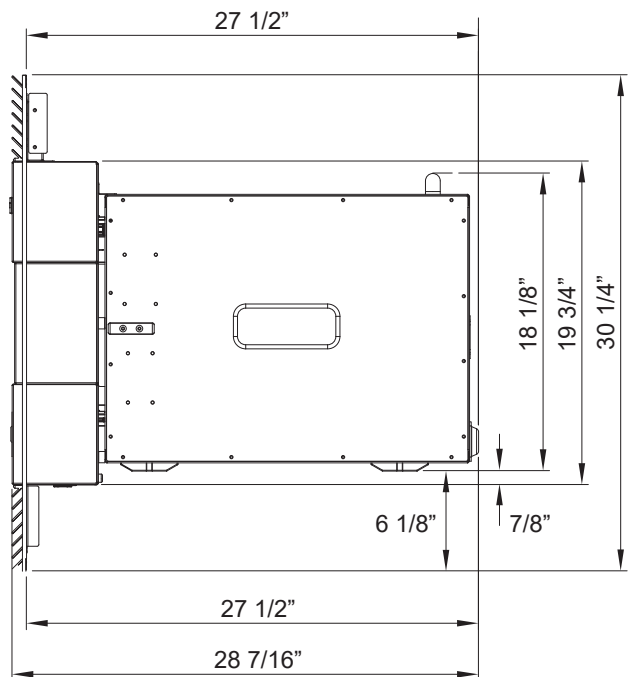
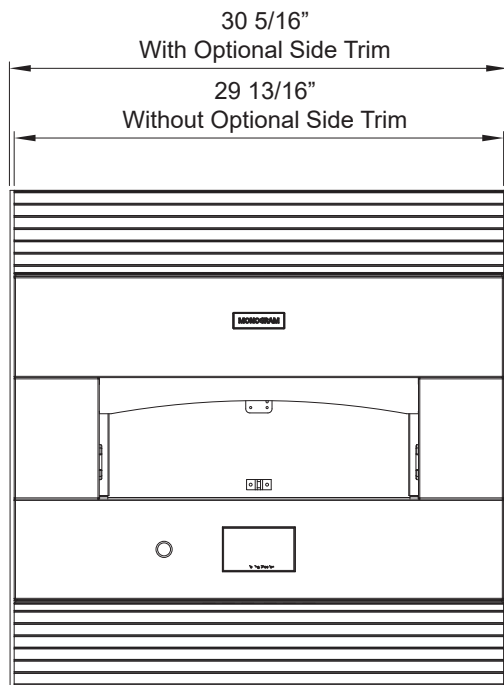
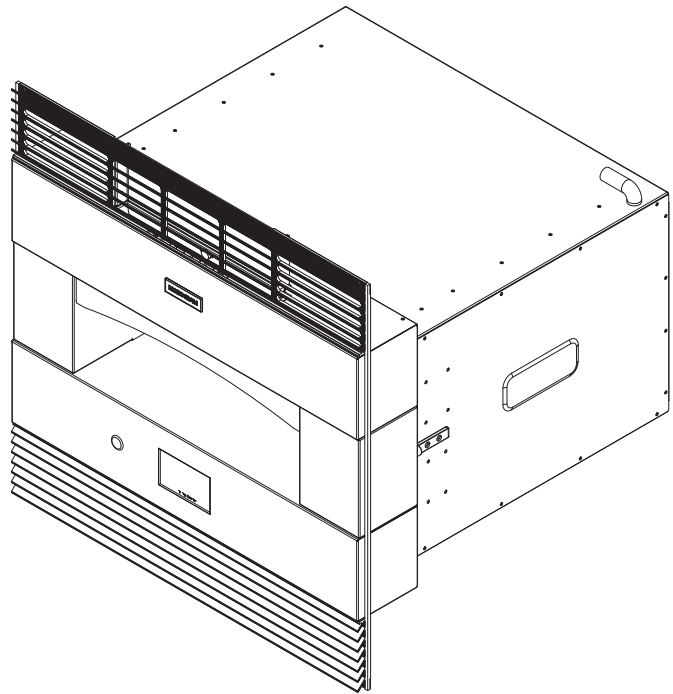
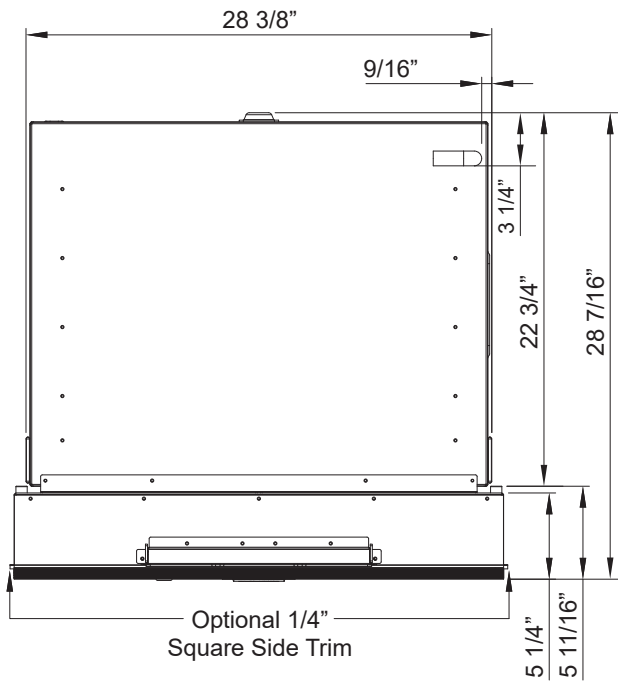
Installation Instructions

PRODUCT DIMENSIONS (WITHOUT TRIM)



Installation Instructions

PRODUCT DIMENSIONS (WITH TRIM)

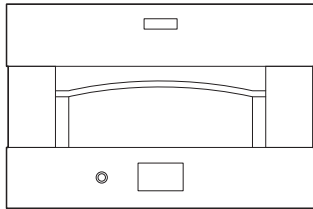


Installation Instructions

PRE-INSTALLATION CHECKLIST

ALL INSTALLATION INFORMATION ON THE FOLLOWING PAGES IS TO BE USED FOR **ELECTRIC INDOOR HEARTH OVEN** INSTALLATION!

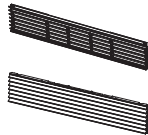
- Remove packaging materials and literature pack.



Hearth Oven



Literature Pack



Trim Kit
(Included with ZEP30F)

- Remove Installation Instructions from literature pack and read them carefully before you begin.

Be sure to place all literature, Owner's Manual, Installations, etc. in a safe place for future reference.

- Place the oven on a table or platform even with the cutout opening. Platform must support 200 lbs. (91 Kg).

The hearth oven may be installed in a cabinet alone, above a warming drawer, or above specified wall ovens. See the label on top of the oven for approved models.

CAUTION Installing the oven below the minimum height of 47 inches creates a burn hazard for children. Do not install below the minimum height.

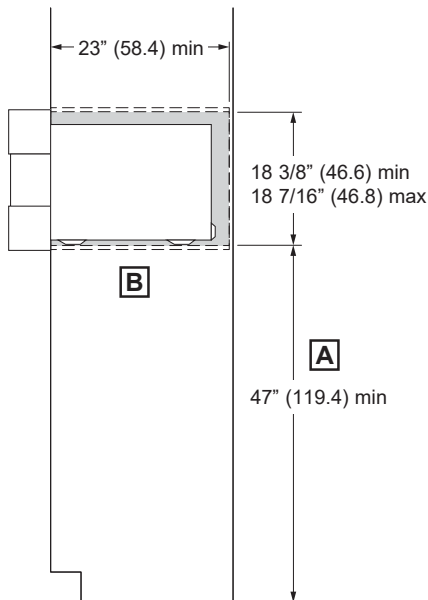
1 A CUTOUT FOR HEARTH OVEN - WITHOUT TRIM KIT

- A** 47" is the required minimum installation height. Oven may be installed higher based on owner preference.

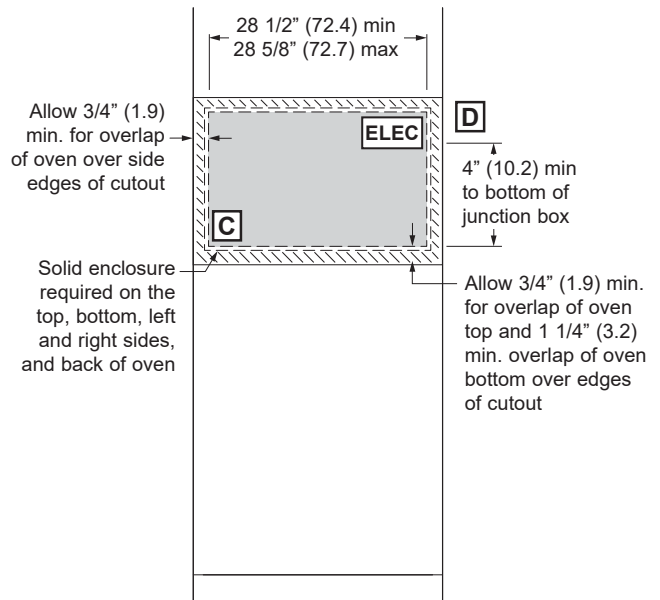
- B** Platform must be able to support 200 lbs (91 kg).

- C** Solid enclosure required on the top, bottom, left and right sides and back of oven.

- D** Junction box location (May also be located in adjacent cabinet).



INSTALLATION
SIDE VIEW



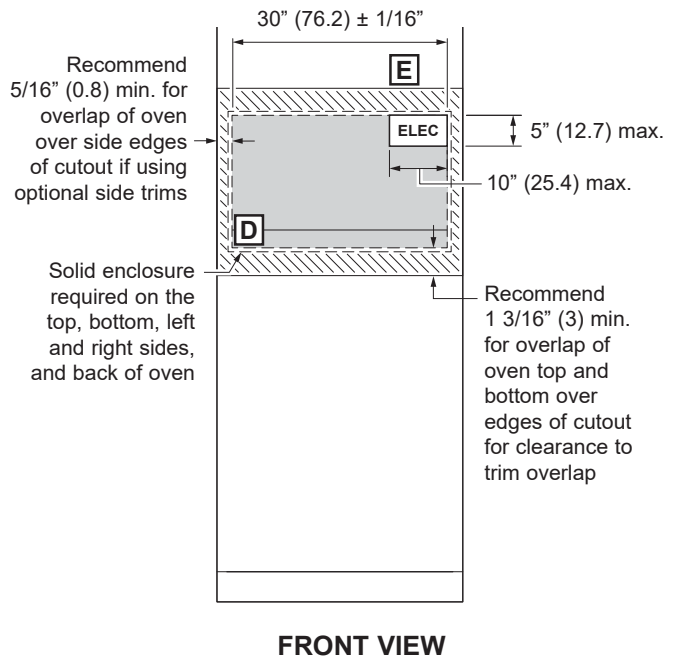
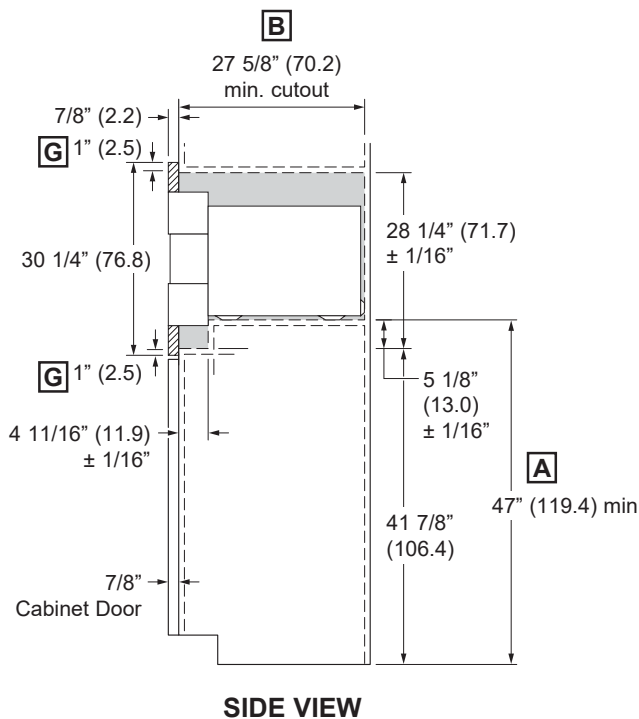
INSTALLATION
FRONT VIEW

Installation Instructions

1 **B** CUTOUT FOR FLUSH MOUNT INSTALLATION - TRIM KIT REQUIRED

- A** 47" is the required minimum installation height. Oven may be installed higher based on owner preference.
- B** Extended depth cabinet is required. Drywall is acceptable as back enclosure.
- C** Platform must be able to support 200 lbs (91 kg).
- D** Solid enclosure required on the top, bottom, left and right sides of oven.
- E** Junction box location (May also be located in adjacent cabinet).
- F** Standard depth cabinet requires modification of interior wall.
- G** 1" overlap required top and bottom to allow for fastening trims to cabinet. This can be achieved with blocking which is secured to the cabinet.

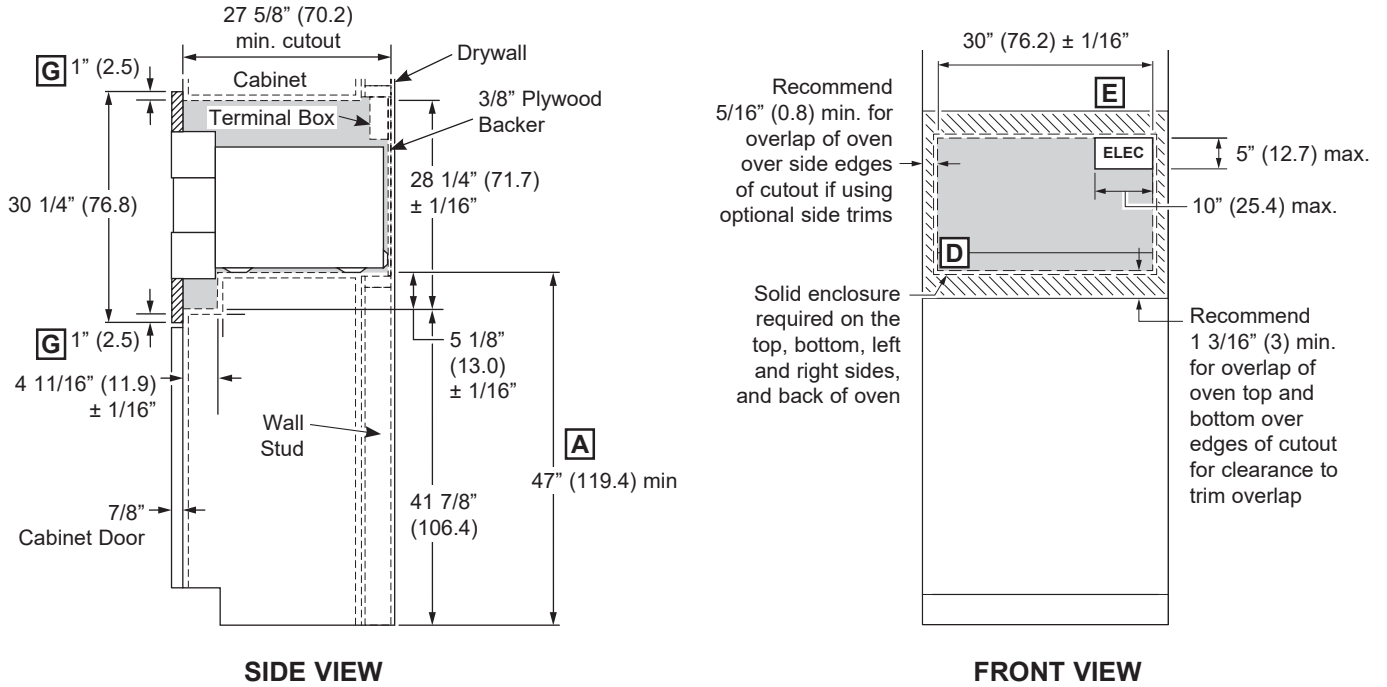
EXTENDED DEPTH CABINET INSTALLATION



Installation Instructions

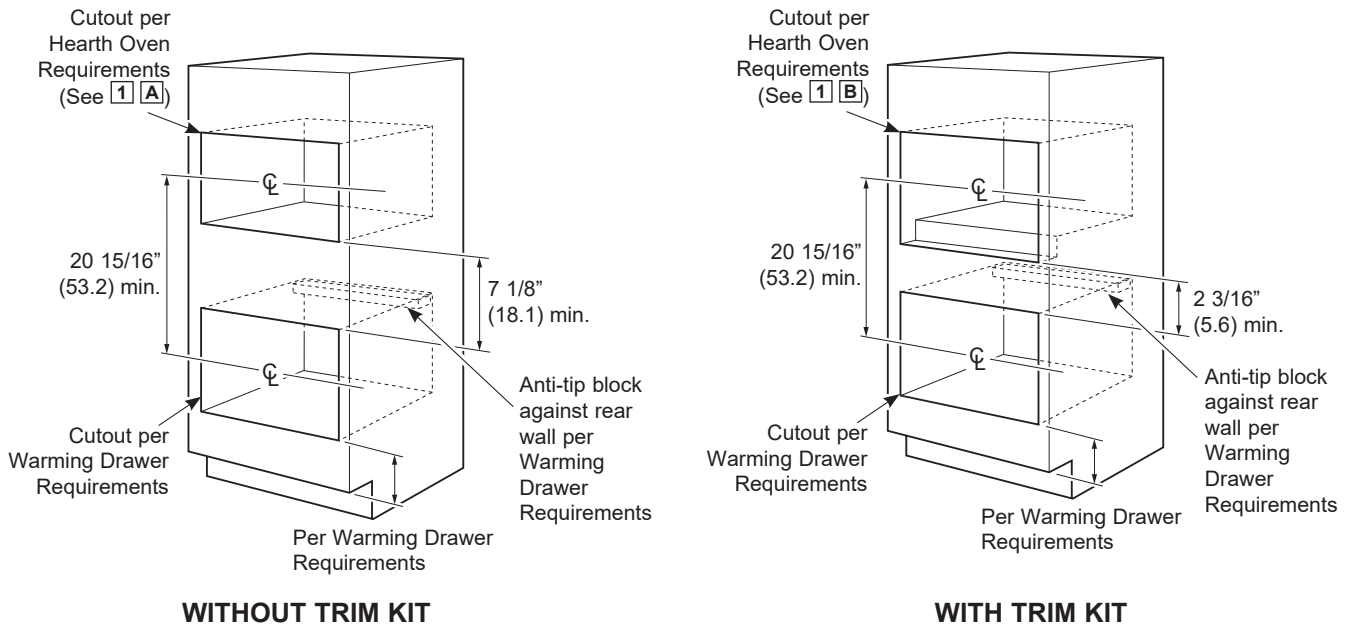
1 B CUTOUT FOR FLUSH MOUNT INSTALLATION - TRIM KIT REQUIRED (Cont.)

STANDARD DEPTH CABINET INSTALLATION



1 C INSTALLATION OVER A WARMING DRAWER

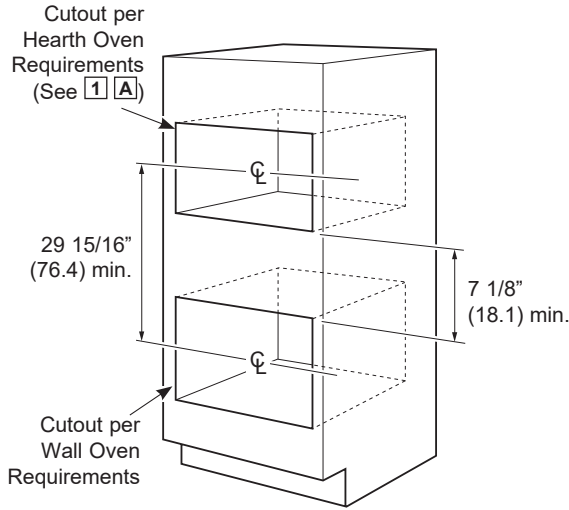
NOTE: Install the oven only with specific models listed on the label on top of the oven.



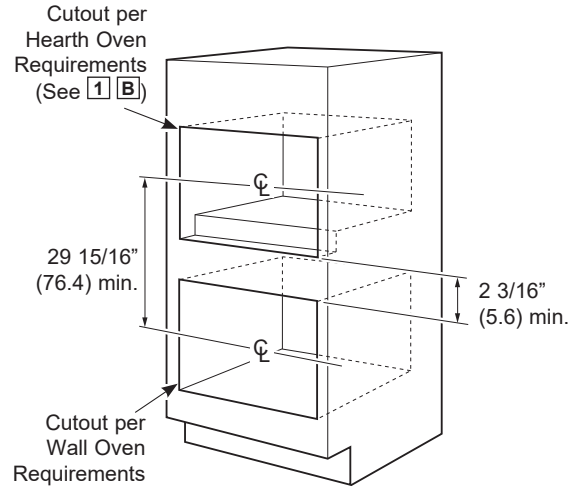
Installation Instructions

1 D INSTALLATION OVER A WALL OVEN

NOTE: Install the oven only with specific models listed on the label on top of the oven.



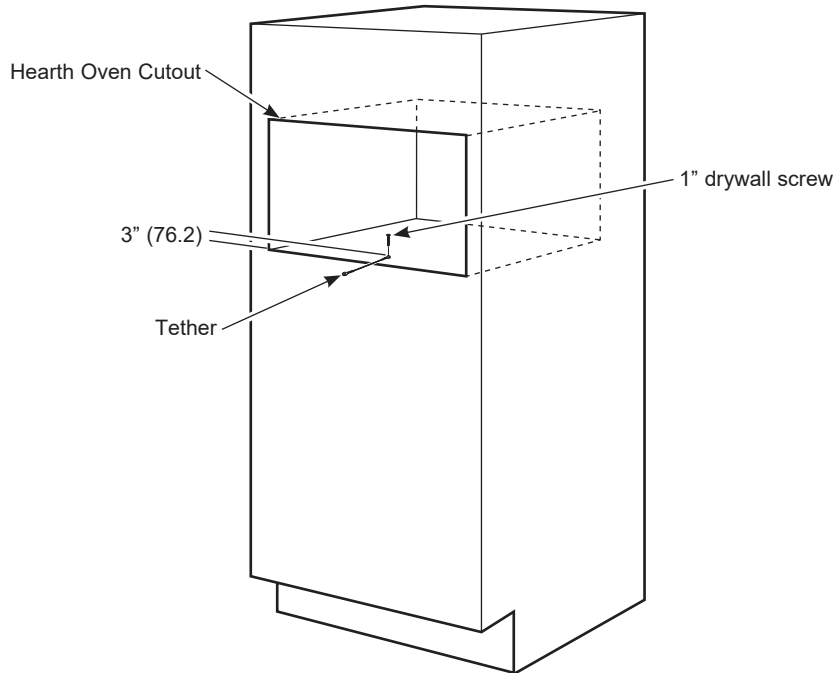
WITHOUT TRIM KIT



WITH TRIM KIT

1 E TETHER INSTALLATION (Required if installed without trim kit)

Use a drill with 1/8" drill bit to drill a pilot hole for the 1" drywall screw. Screw is installed 3" from cabinet front face and centered horizontally. Attach the tether to the enclosure bottom using the provided 1" drywall screw. The free end of the tether will be secured to the hearth oven case in step 3.



WITHOUT TRIM KIT

Installation Instructions

2 ELECTRICAL CONNECTIONS

ATTENTION INSTALLER

All electric wall ovens must be hard wired (direct wired) into an approved junction box. A plug and receptacle is NOT permitted on these products.

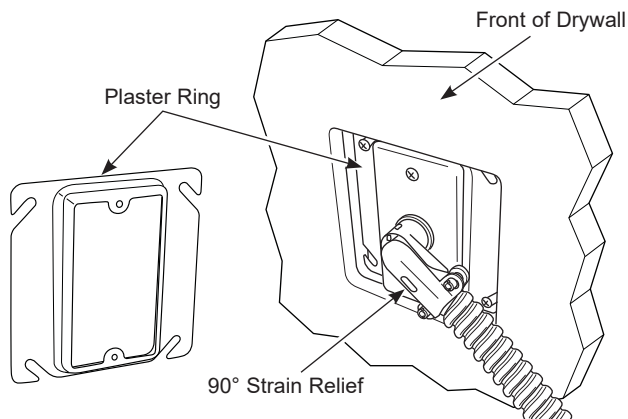
Do not shorten the flexible conduit. The conduit strain relief clamp must be securely attached to the junction box and the flexible conduit must be securely attached to the clamp. If the flexible conduit will not fit within the clamp, do not install the oven until a clamp of the proper size is obtained.

NOTE TO ELECTRICIAN: The 3 power leads supplied with this appliance are UL recognized for connection to heavier gauge household wiring. The insulation of these 3 leads is rated at temperatures much higher than the temperature rating of household wiring. The current carrying capacity of the conductor is governed by the wire gauge and the temperature rating of the insulation around the wire.

⚠ WARNING Improper connection of aluminum house wiring to copper leads can result in an electrical hazard or fire. Use only connectors designed for joining copper to aluminum and follow the manufacturer's recommended procedure closely.

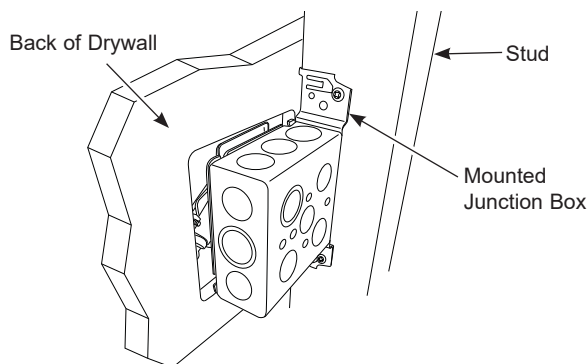
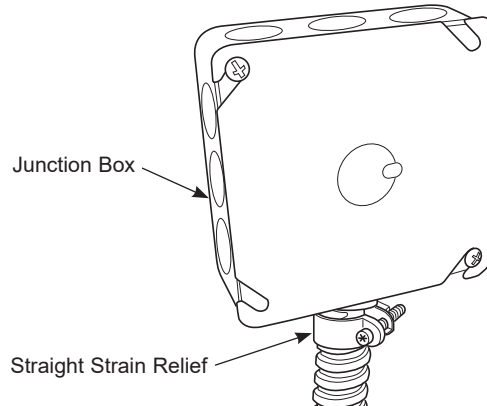
RECOMMENDED INSTALLATION OPTIONS

Option 1 - A junction box with a plaster ring and 90° strain relief, mounted to a stud behind the drywall.



FRONT VIEW

Option 2 - Standard junction box with a straight strain relief.

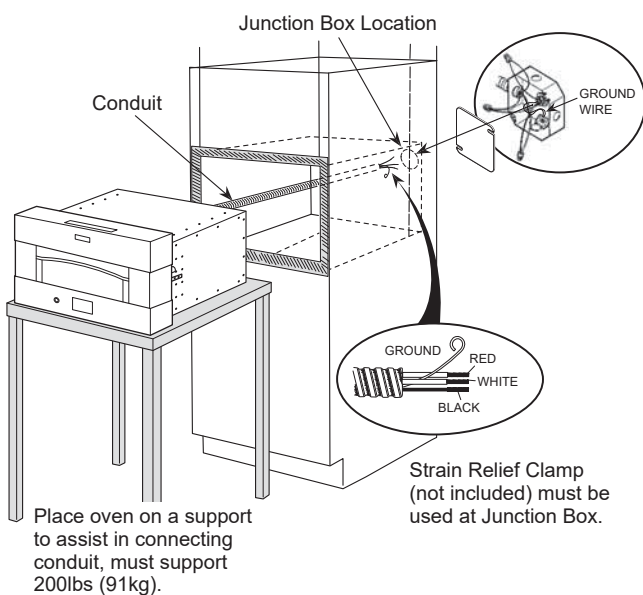


BACK VIEW

Installation Instructions

2 ELECTRICAL CONNECTIONS (Cont)

1. Turn off the circuit breaker or remove fuses to the oven branch circuit.
2. With the oven supported on a table or platform in front of the cabinet opening, connect the flexible conduit to the electrical junction box as shown below. Position the conduit in such a manner that it will lie in a natural loop, in the conduit pocket behind the unit, when the oven is installed. You will need to purchase an appropriate strain relief clamp to complete the connection of the conduit to the junction box.



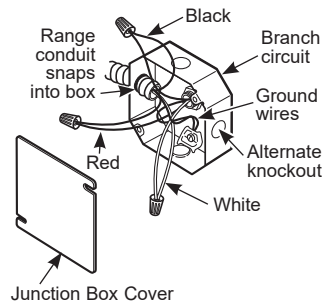
A NEW CONSTRUCTION AND FOUR-CONDUCTOR BRANCH CIRCUIT CONNECTION

- When installing in new construction, or
- When installing in a mobile home, or
- When installing in a recreational vehicle, or
- When local codes do not permit grounding through neutral:

NOTE: If residence leads or ground are aluminum conductors, see WARNING on page 5.

When connecting to a four-conductor branch circuit, if local codes permit:

1. Free the neutral (white) lead from being restrained to any other wires. If necessary, cut the neutral (white) lead and then re-strip it to expose the proper length of conductor.
2. Attach the appliance grounding lead (green or bare copper) in accordance with local codes.



3. Connect the oven neutral (white) lead to the branch circuit neutral (white or gray) in accordance with local codes, using a wire nut.
4. Connect the oven red lead to the branch circuit red lead and the oven black lead to the branch circuit black lead in accordance with local codes, using wire nuts.
5. Install proper strain relief clamp.
6. Install junction box cover.

Installation Instructions

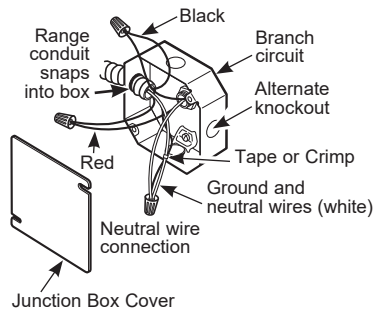
2 ELECTRICAL CONNECTIONS (Cont)

B THREE-CONDUCTOR BRANCH CIRCUIT CONNECTION

NOTE: If residence leads are aluminum conductors, see WARNING on page 5.

When connecting to a three-conductor branch circuit, if local codes permit:

1. Connect the oven ground conductor along with the neutral (white) lead to the branch circuit neutral (white or gray in color), using a wire nut.

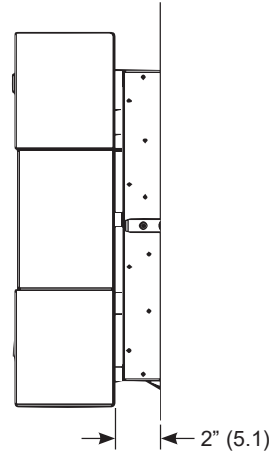


2. Connect the oven red lead to the branch circuit red lead and the oven black lead to the branch circuit black lead in accordance with local codes, using wire nuts.
3. Install proper strain relief clamp.
4. Install junction box cover.

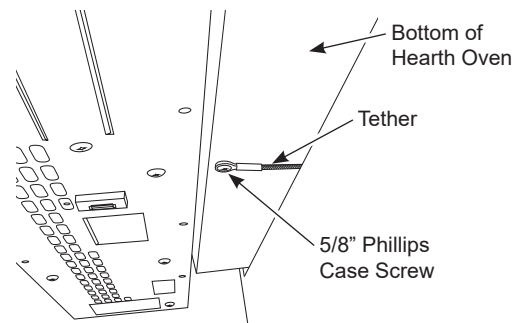
3 INSTALLING THE OVEN IN THE CABINET

A WITHOUT TRIM KIT

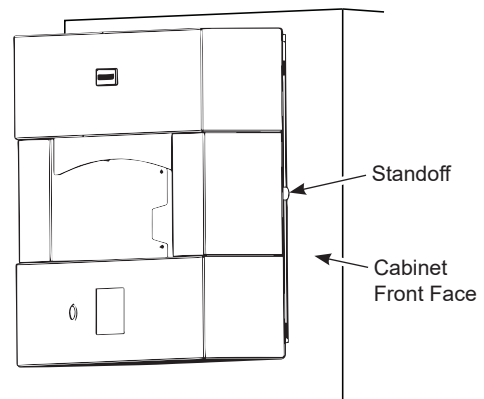
1. Lift oven into cabinet cutout using the bottom as a grip. Do not lift by the oven opening.



2. Carefully slide the oven back into the cutout until it is about 2" from contacting cabinet face.
3. Attach the free end of the tether to the bottom of the hearth oven case using the provided 5/8" Phillips case screw.



4. Finish sliding the oven into the cabinet. The oven is fully installed when the standoffs touch the cabinet front face.

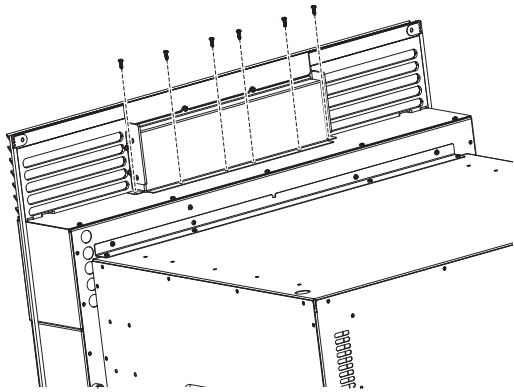


Installation Instructions

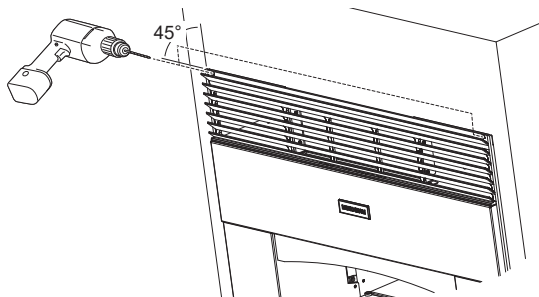
3 INSTALLING THE OVEN IN THE CABINET (Cont.)

B WITH TRIM KIT

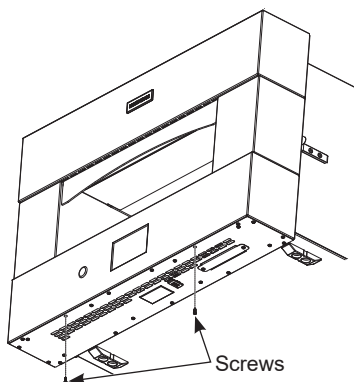
1. Before lifting oven into cabinet cutout, remove six screws from top vent and attach top grille to top of oven using the same screws as shown.



2. Lift oven into cabinet cutout using the bottom as a grip. Do not lift by the oven opening.
3. Carefully slide the oven back into the cutout until the top grille just touches the front face of the cabinet. **NOTE:** Do not push too far or damage to the top grille may occur.
4. Pre-drill top grille mounting holes into cabinet using 3/32" drill bit and the hole in the trim as a guide.

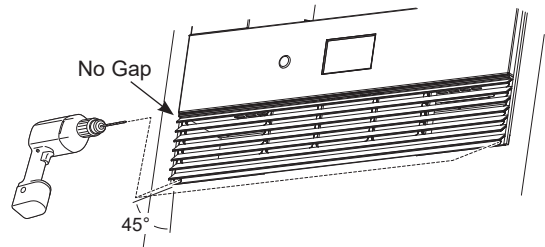


5. Remove these two screws from the bottom.



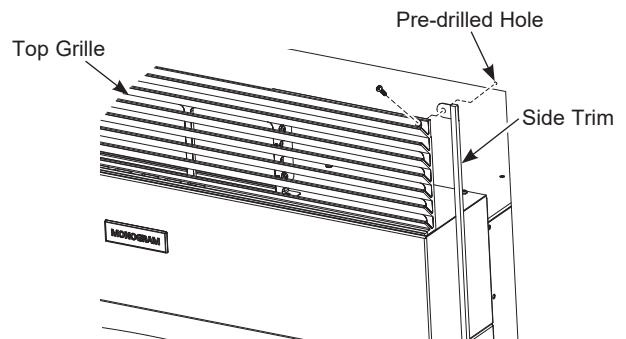
3 INSTALLING THE OVEN IN THE CABINET (Cont.)

6. Align bottom grille by inserting alignment posts into hearth oven front and pre-drill mounting holes using 3/32" drill bit, ensuring there is no gap between the grill and the oven.

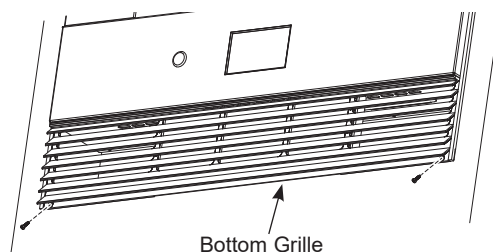
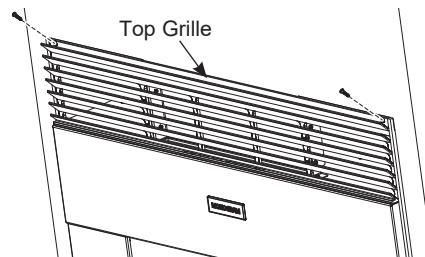


NOTE: A 2" wide by 30" long masking tape strip can be used to hold the bottom grille tightly to the bottom of the oven while the mounting holes are drilled.

7. Starting at the top, attach grilles and side trim using supplied 3/4" phillips screws and the 3/32" holes drilled previously, as shown.



NOTE: Oven shown extended from cabinet for clarity of assembly. Side trim should be installed with oven and grille flush to cabinet frame.

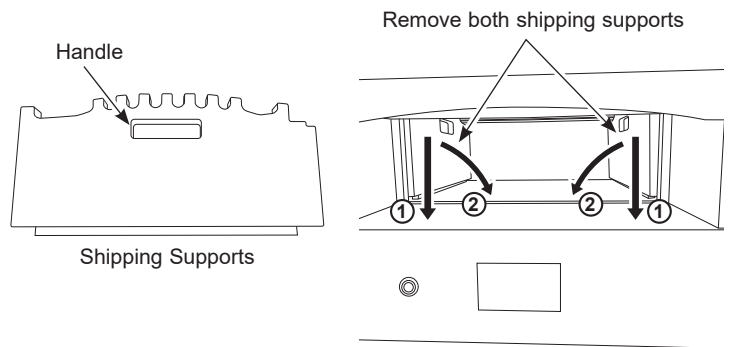


Notes

Installation Instructions

PRE-TEST CHECKLIST

- Remove all protective film, if present.
- Check to be sure that all wiring is secure and not pinched.
- Remove cooking deck shipping supports by:
 1. Pulling down on the shipping support by the handle.
 2. Rotating the shipping support towards the cooking deck.
 3. Pull out from oven and discard.



OPERATION CHECKLIST

IMPORTANT

- Remove all items from the inside of the oven.
- Check that conduit is securely connected to the junction box.
- Turn on the power to the oven. (Refer to your Owner's Manual.) Verify that all cooking functions operate properly.
- Check that the circuit breaker is not tripped nor the house fuse blown.
- See your Owner's Manual for troubleshooting list.

NOTE TO ELECTRICIAN: The power leads supplied with this appliance are UL recognized for connections to larger gauge household wiring. The insulation of these leads is rated at temperatures much higher than the temperature rating of household wiring. The current carrying capacity of a conductor is governed by the wire gauge and also the temperature rating of the insulation around the wire.

NOTE: ALUMINUM WIRING

- A. **⚠ WARNING** IMPROPER CONNECTION OF ALUMINUM HOUSE WIRING TO THE COPPER LEADS CAN RESULT IN AN ELECTRICAL HAZARD OR FIRE.
- B. Splice copper wires to aluminum wiring using special connectors designed and UL approved for joining copper to aluminum, and follow the manufacturer's recommended connector procedure closely.

NOTE: Wire used, location and enclosure of splices, etc., must conform to good wiring practice and local codes.

Instrucciones de instalación

Horno de Hogar Para Interiores

ZEP30

Ante cualquier duda, llame a GE Appliances al 800.GE.CARES (800.432.2737) o visite nuestro sitio Web en: GEAppliances.com

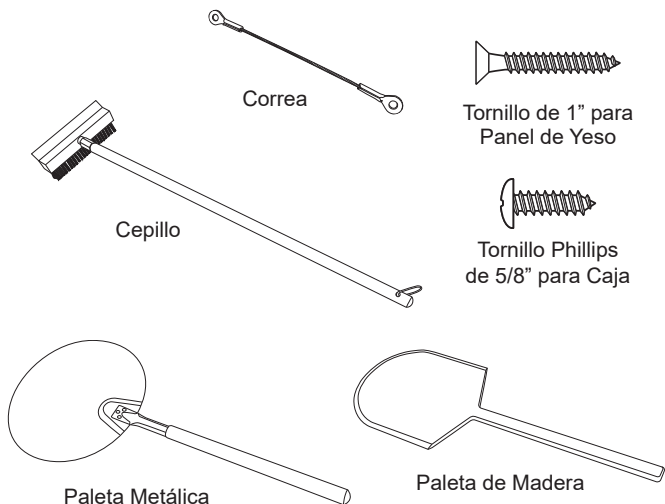
ANTES DE EMPEZAR

Lea estas instrucciones cuidadosa y completamente.

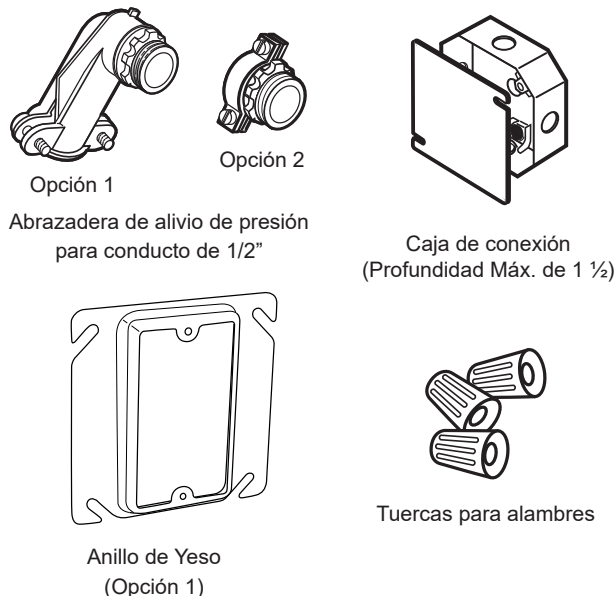
- **IMPORTANTE** — Guarde estas instrucciones y téngalas disponibles para el inspector local.
- **IMPORTANTE** — Cumpla con todos los códigos y ordenanzas vigentes.
- **Nota al instalador** – Cerciórese de dejar estas instrucciones con el propietario.
- **Nota al consumidor** – Guarde estas instrucciones para usarlas como referencia en el futuro.
- La instalación apropiada es responsabilidad del instalador y la falla del producto por una instalación incorrecta NO está cubierta por la garantía.
- **Nota** – Este aparato debe estar conectado a tierra adecuadamente.
- **¡ATENCIÓN AL INSTALADOR!**

Todos los hornos electrónicos de pared deben ser cableados directamente en una caja de conexión aprobada. Un "enchufe-receptáculo" NO ES permitido en estos productos.

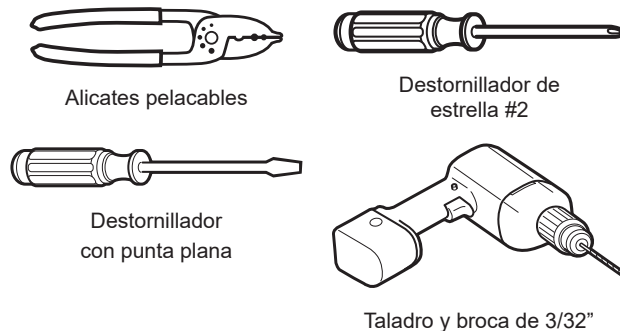
PARTES INCLUIDAS (la apariencia puede variar)



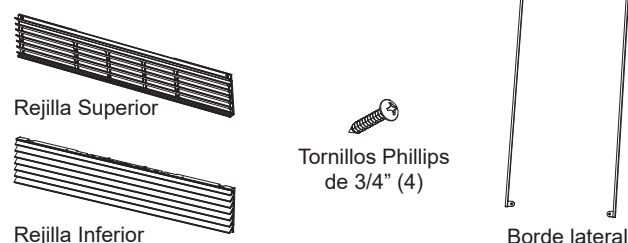
MATERIALES NECESARIOS



HERRAMIENTAS NECESARIAS



PIEZAS DEL KIT DE MARCOS (Incluidas con ZEP30F)



Instrucciones de instalación

INSTRUCCIONES DE SEGURIDAD IMPORTANTES

PARA SU SEGURIDAD

- Cerciórese de que su horno sea instalado adecuadamente por un instalador calificado o por un técnico de servicio.
- Cerciórese de que su horno esté firmemente instalado en un gabinete que esté firmemente adherido a la estructura de la casa. Nunca permita que nadie se suba, se siente, se pare o se cuelgue del horno.
- Cerciórese de que los gabinetes y los revestimientos de la pared alrededor del horno puedan soportar las temperaturas (hasta 200°F [93,3°C]) generadas por el horno.

▲ADVERTENCIA La energía eléctrica hacia la línea de suministro del horno debe ser desconectada mientras se hacen las conexiones. No hacer esto podría resultar en lesiones graves e incluso provocar la muerte.

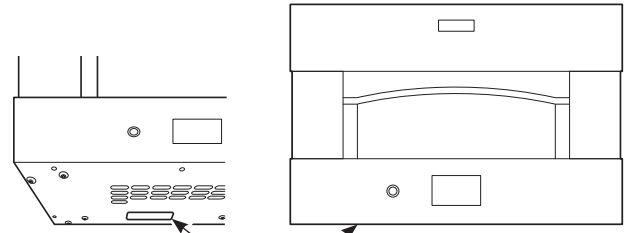
REQUISITOS ELÉCTRICOS

Este aparato debe abastecerse con la frecuencia y el voltaje adecuados, y conectarse a un circuito eléctrico individual con conexión a tierra con protección de un fusible o interruptor automático. Lea la etiqueta de características técnicas en la parte inferior del panel frontal, a fin de determinar las especificaciones del producto. El siguiente cuadro muestra la protección mínima recomendada para el circuito especializado.

Potencia KW 240V	Potencia KW 208V	Tamaño Requerido del Circuito (Especializado)
9,7 KW–12,0 KW	8,4 KW–10,4 KW	50 Amp

REQUISITOS ELÉCTRICOS

La etiqueta de características técnicas está ubicada en la parte inferior del panel frontal.



Ubicación de la placa de potencia

Recomendamos que el cableado y la conexión eléctrica de su horno los realice un electricista calificado. Después de la instalación, solicite al electricista que le indique cómo desconectar la energía de la cocina.

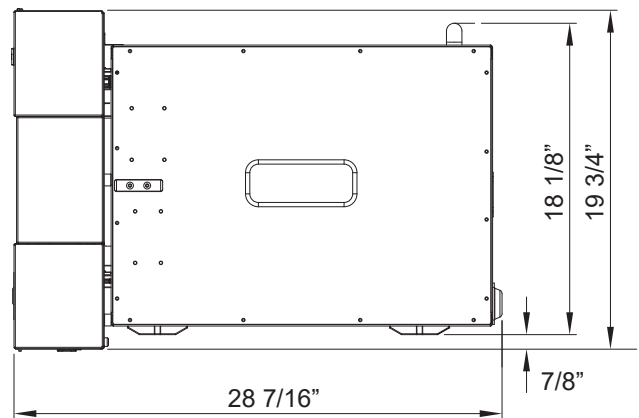
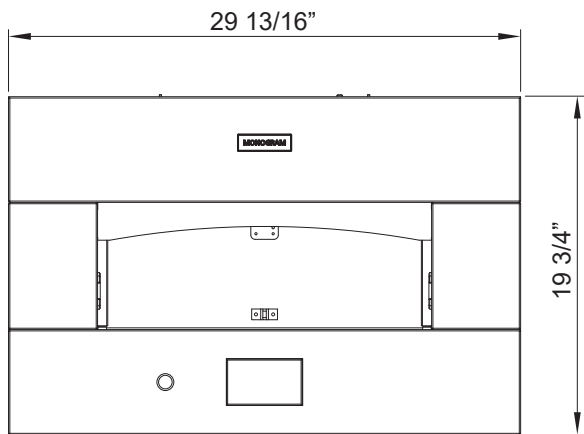
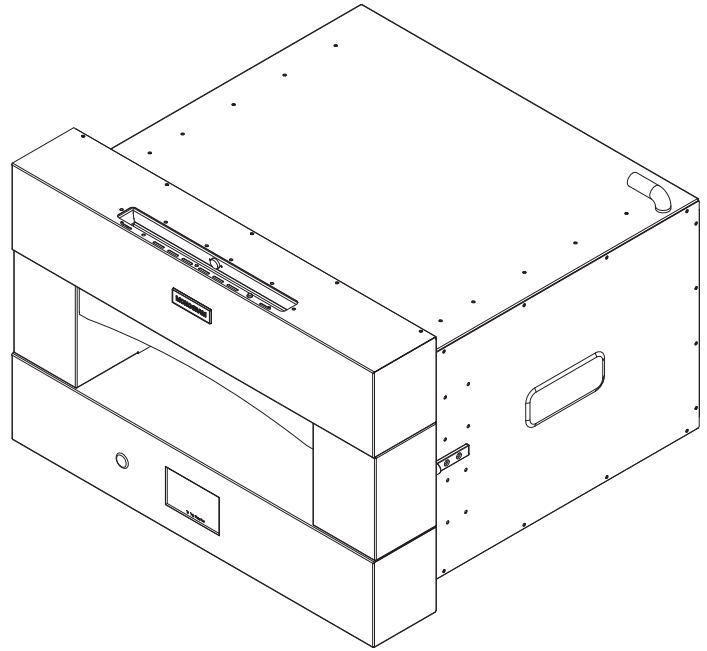
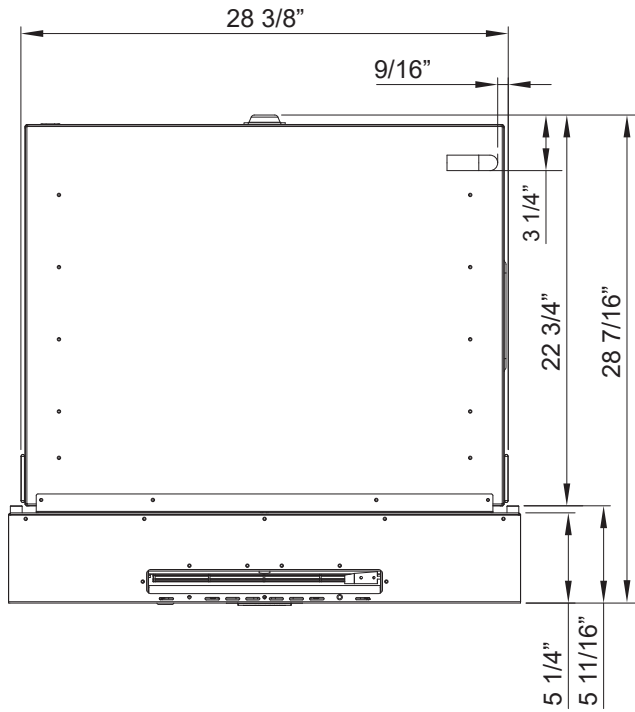
Consulte con su compañía de servicios local para obtener los códigos eléctricos que sean aplicables en su área. No hacer el cableado de su horno de manera apropiada, respetando los códigos vigentes, podría resultar en condiciones peligrosas. Si no existen códigos locales, su aparato debe usar un cableado y fusibles que cumplan con los requisitos del Código Eléctrico Nacional, ANSI/NFPA No. 70–Última edición. Usted puede obtener una copia de este código disponible en National Fire Protection Association (Asociación Nacional de Protección contra Incendios).

A partir del 1ro. de enero de 1996, el Código Eléctrico Nacional requiere que todas las construcciones nuevas, pero no existentes, usen una conexión de 4 conductores hacia cualquier horno eléctrico. Cuando instale un horno eléctrico en una construcción nueva, casa móvil, vehículo de recreación o un área donde los códigos locales prohíban la conexión a tierra a través del conductor neutro, siga las instrucciones en la Sección CONSTRUCCIONES NUEVAS Y CONEXIONES DE CIRCUITOS RAMALES DE 4 CONDUCTORES.

Usted debe usar un sistema eléctrico de fase única de 120/208 VAC o 120/240 VAC de 60 hertzios. Si hace una conexión a alambres de aluminio, debe usar conectores adecuadamente instalados que estén aprobados para ser utilizados con cableados de aluminio.

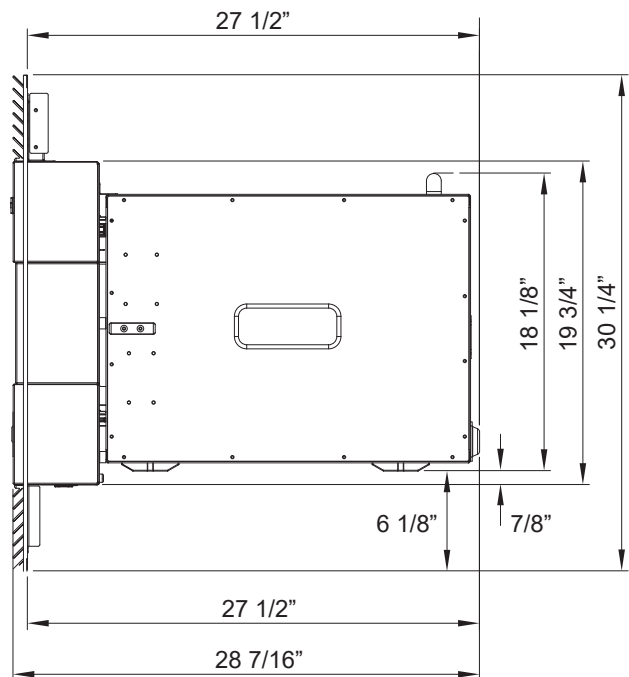
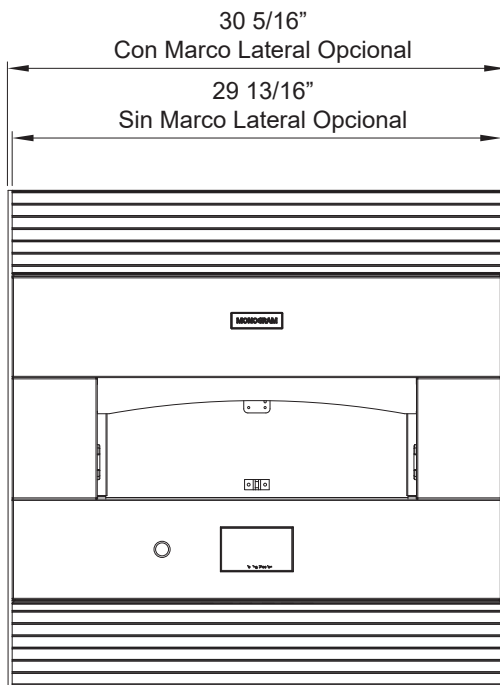
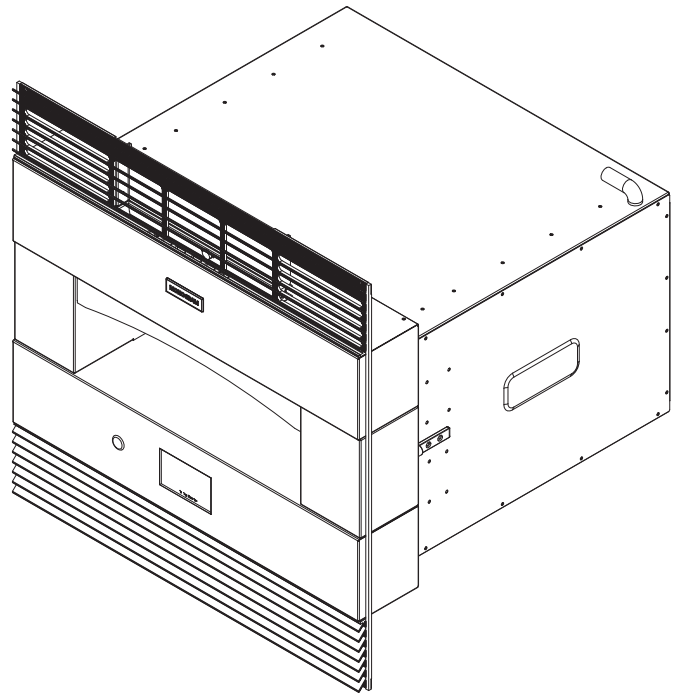
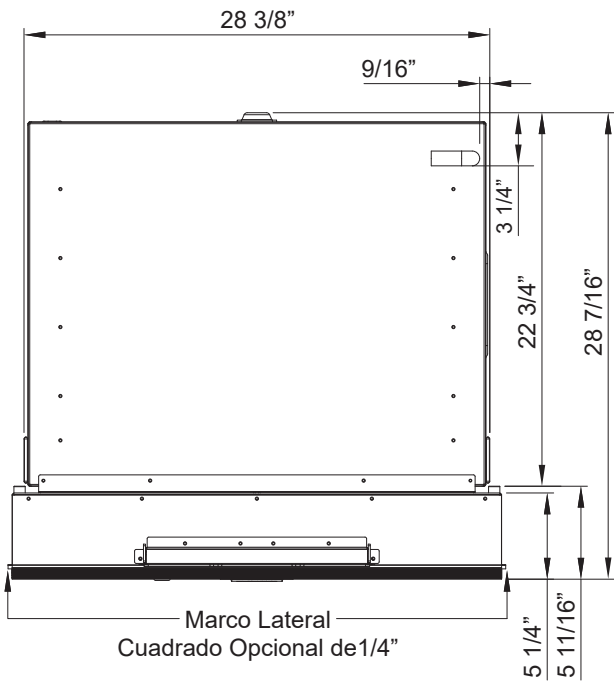
Instrucciones de instalación

DIMENSIONES DEL PRODUCTO (SIN MARCO)



Instrucciones de instalación

DIMENSIONES DEL PRODUCTO (CON MARCO)

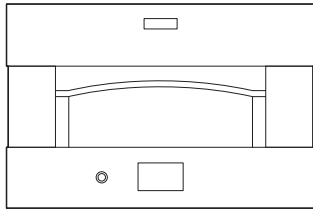


Instrucciones de instalación

LISTA DE CONTROL ANTES DE LA INSTALACIÓN

¡TODA LA INFORMACIÓN DE INSTALACIÓN QUE FIGURA EN LAS PÁGINAS SIGUIENTES DEBERÁ SER USADA EN LA INSTALACIÓN DEL HORNO ELÉCTRICO DE HOGAR PARA INTERIORES.

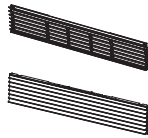
- Retire los materiales de embalaje y extraiga el paquete de instrucciones.



Horno de Hogar



Paquete Informativo



Kit de Marcos
(Incluido con ZEP30F)

- Extraiga las instrucciones de instalación del paquete y léalas cuidadosamente antes de empezar la instalación.
Cerciórese de guardar bien todas las instrucciones, Manual del propietario, Instalación, etc. para referencia en el futuro.
- Coloque el horno sobre la mesa o plataforma al nivel de la abertura del gabinete. La plataforma debe soportar 200 lbs. (91 Kg). Estos hornos no están aprobados para las instalaciones apilables.

El horno de hogar podrá ser instalado solo en un gabinete, sobre un cajón para calentar, o sobre hornos de pared específicos. Para conocer los modelos aprobados, consulte la etiqueta que se encuentra sobre el horno.

⚠ PRECAUCIÓN La instalación del horno por debajo de la altura mínima de 47 pulgadas crea riesgos de incendio para los niños. No instale el mismo debajo de la altura mínima.

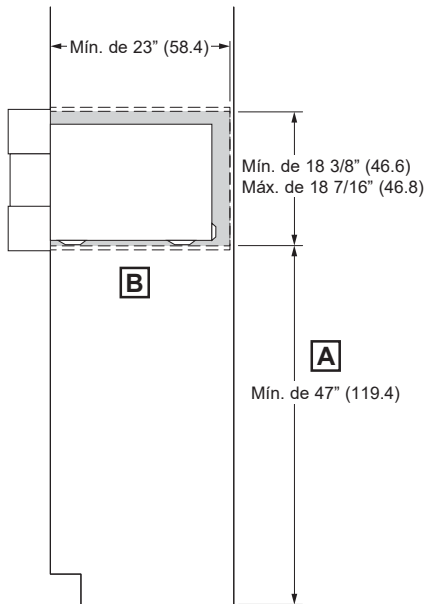
1 A ESPACIO LIBRE PARA EL HORNO DE HOGAR – SIN EL KIT DE MARCOS

- A** 47" es la altura de instalación mínima requerida. El horno podrá ser instalado más arriba, dependiendo de la preferencia del propietario.

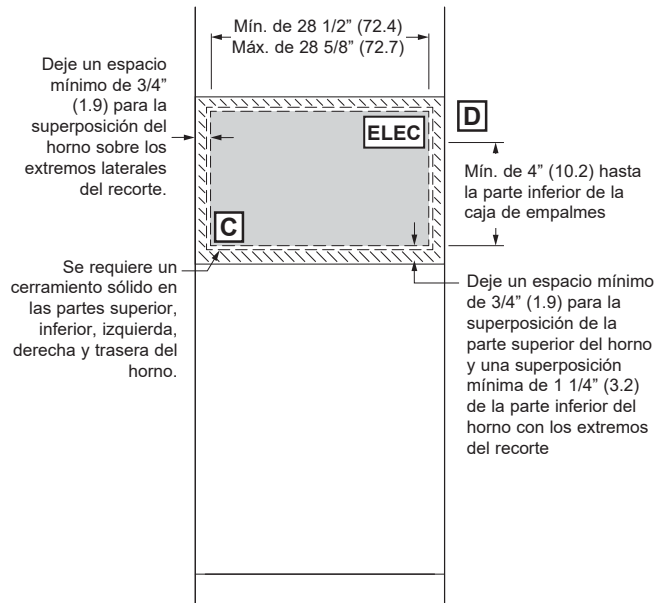
- B** La plataforma deberá poder soportar 200 libras (91 kg).

- C** Se requiere un cerramiento sólido en las partes superior, inferior, izquierda, derecha y trasera del horno.

- D** Ubicación de la caja de empalmes (también podrá estar ubicada en un gabinete adyacente).



VISTA LATERAL DE LA INSTALACIÓN



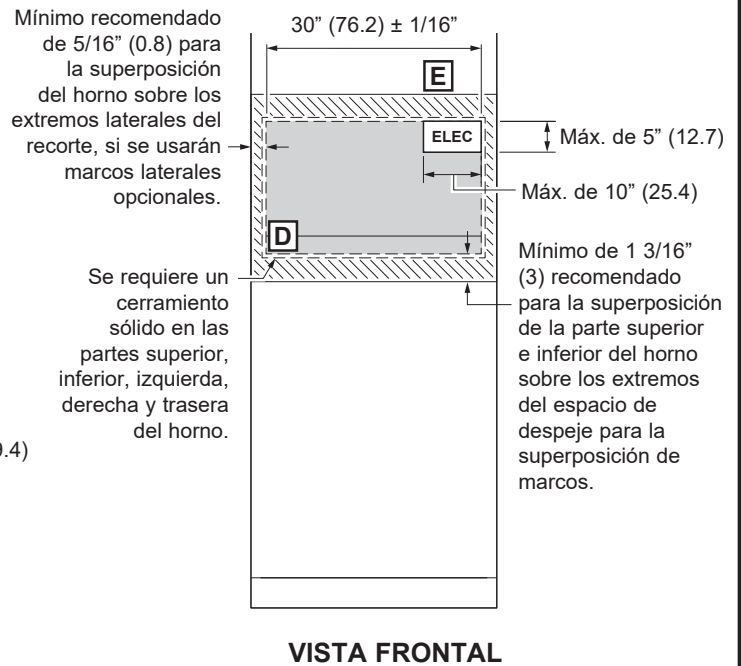
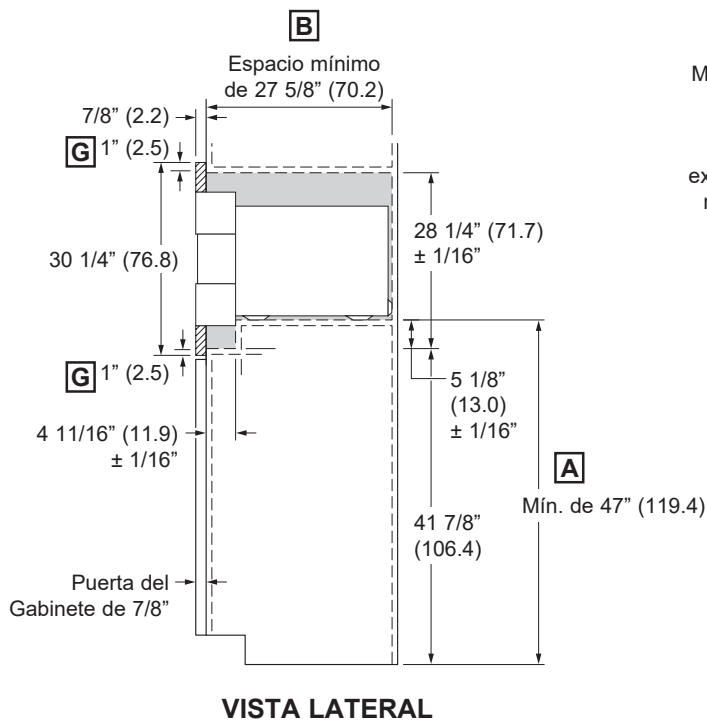
VISTA FRONTAL DE LA INSTALACIÓN

Instrucciones de instalación

1 B RECORTE PARA LA INSTALACIÓN CON MONTAJE AL RAS – KIT DE MARCOS REQUERIDO

- A** 47" es la altura de instalación mínima requerida. El horno podrá ser instalado más arriba, dependiendo de la preferencia del propietario.
- B** Se requiere un gabinete con profundidad extendida. Un panel de yeso es aceptable como cerramiento trasero.
- C** La plataforma deberá poder soportar 200 libras (91 kg).
- D** Se requiere un cerramiento sólido en las partes superior, inferior, izquierda, derecha y trasera del horno.
- E** Ubicación de la caja de empalmes (también podrá estar ubicada en un gabinete adyacente).
- F** El gabinete con profundidad estándar requiere una modificación de la pared interior.
- G** Se requiere una superposición de 1" en la parte superior e inferior para permitir el ajuste de los marcos sobre el gabinete. Esto se puede lograr bloqueando las partes aseguradas al gabinete.

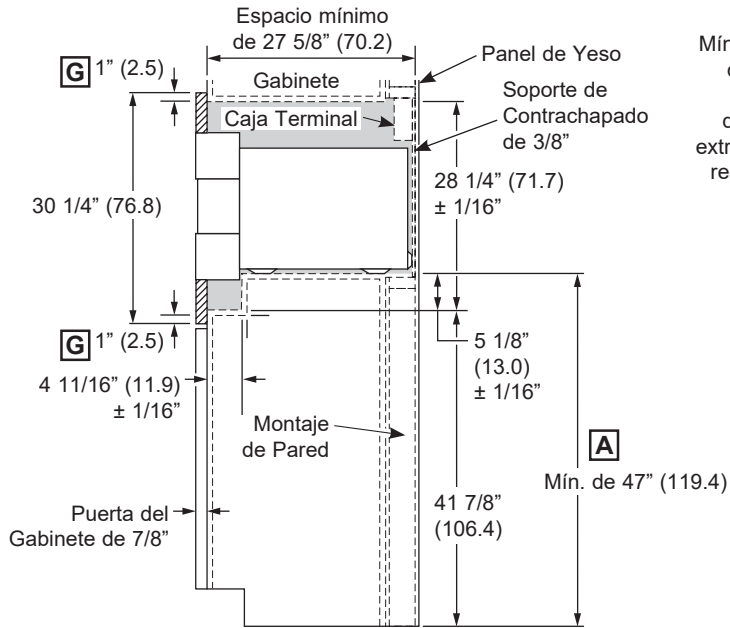
INSTALACIÓN DEL GABINETE CON PROFUNDIDAD EXTENDIDA



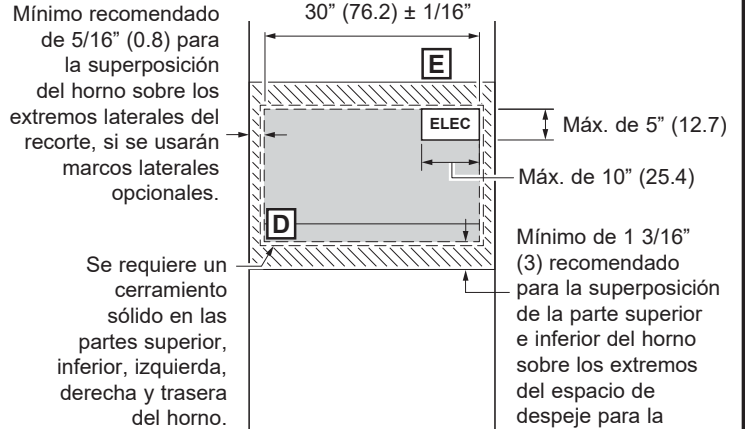
Instrucciones de instalación

1 B RECORTE PARA LA INSTALACIÓN CON MONTAJE AL RAS – KIT DE MARCOS REQUERIDO (Cont.)

INSTALACIÓN DEL GABINETE CON PROFUNDIDAD ESTÁNDAR



VISTA LATERAL

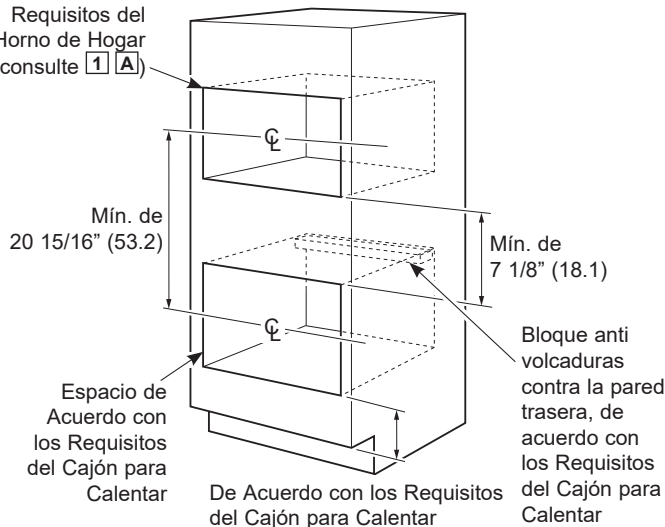


VISTA FRONTAL

1 C INSTALACIÓN SOBRE UN CAJÓN PARA CALENTAR

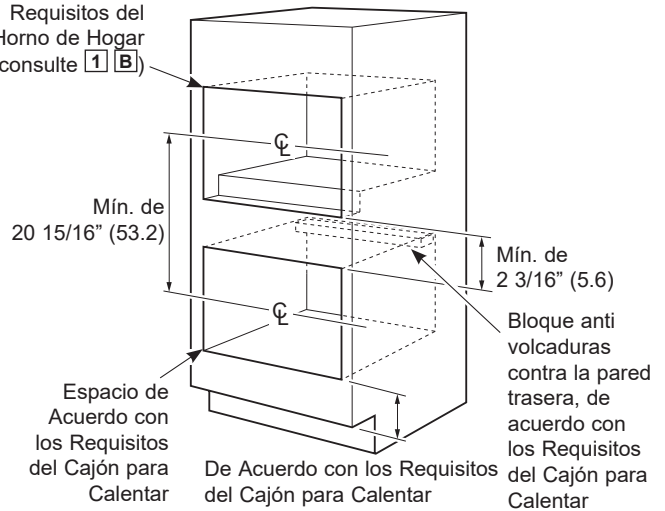
NOTA: Instale el horno sólo con los modelos específicos que figuran en la lista de la etiqueta que se encuentra en la parte superior del horno.

Espacio Libre de Acuerdo con los Requisitos del Horno de Hogar (consulte 1 A)



SIN KIT DE MARCOS

Espacio Libre de Acuerdo con los Requisitos del Horno de Hogar (consulte 1 B)



CON KIT DE MARCOS

Instrucciones de instalación

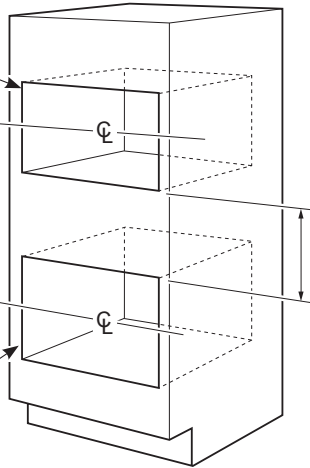
1 D INSTALACIÓN SOBRE UN HORNO DE PARED

NOTA: Instale el horno sólo con los modelos específicos que figuran en la lista de la etiqueta que se encuentra en la parte superior del horno.

Espacio Libre de Acuerdo con los Requisitos del Horno de Hogar (consulte 1 A)

Mín. de 29 15/16" (76.4)

Recorte de Acuerdo con los Requisitos del Horno de Pared



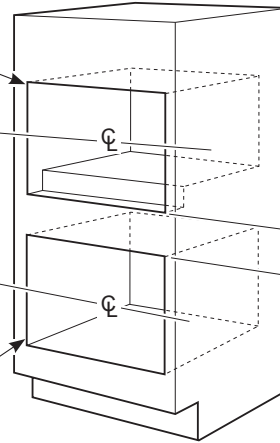
Mín. de 7 1/8" (18.1)

SIN KIT DE MARCOS

Espacio Libre de Acuerdo con los Requisitos del Horno de Hogar (consulte 1 B)

Mín. de 29 15/16" (76.4)

Recorte de Acuerdo con los Requisitos del Horno de Pared



Mín. de 2 3/16" (5.6)

CON KIT DE MARCOS

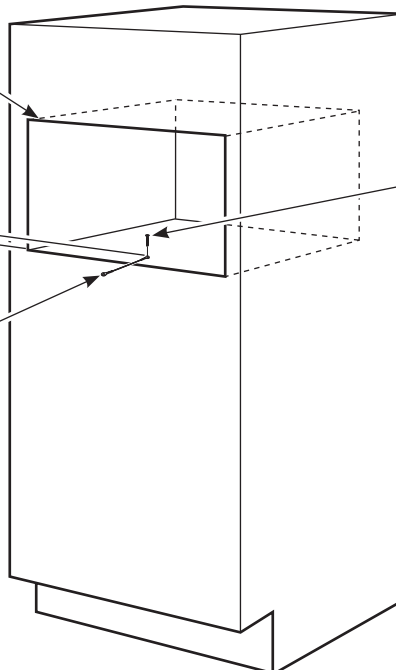
1 E INSTALACIÓN DE LA CORREA (Requerida si se instalará sin el kit de marcos)

Use un taladro con una broca de 1/8" para hacer un agujero piloto para el tornillo de la pared de yeso de 1". El tornillo debe ser instalado a 3" de la cara frontal del gabinete y estar centrado horizontalmente. Adhiera la correa a la parte inferior del cerramiento utilizando el tornillo para pared de yeso de 1" provisto. El extremo libre de la correa será asegurado a la caja del horno de hogar en el paso 3.

Espacio Libre del Horno de Hogar

3" (76.2)

Correa



Tornillo de 1" para pared de yeso

SIN KIT DE MARCOS

Instrucciones de instalación

2 CONEXIONES ELÉCTRICAS

ATENCIÓN AL INSTALADOR

Todos los hornos eléctricos de pared deben ser cableados directamente en una caja de conexión. Un “enchufe-receptáculo” NO ES permitido en estos productos.

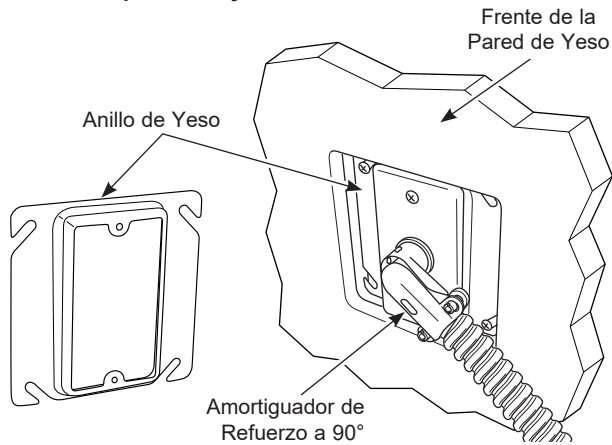
NO acorte el conducto flexible. La abrazadera para controlar la presión debe estar firmemente adherida a la caja de conexión y el conductor flexible debe estar firmemente adherido a la abrazadera. Si el conducto flexible no se ajusta al interior de la abrazadera, no instale el horno hasta que obtenga el tamaño apropiado.

Nota al electricista: Los 3 alambres eléctricos proporcionados con este aparato son reconocidos por la UL para conexiones a cableado residencial de mayor calibre. El aislante de estos 3 alambres supera las especificaciones de temperatura indicadas para cableado residencial. La capacidad actual de conducción del cable depende del calibre del cableado y de la clasificación de la temperatura del aislamiento alrededor del alambre.

⚠ADVERTENCIA Una conexión inapropiada del cableado de aluminio residencial con cobre, podría resultar en un peligro eléctrico o hasta en incendio. Use solamente conectores diseñados para unir cobre con aluminio y siga las recomendaciones del fabricante con mucho cuidado.

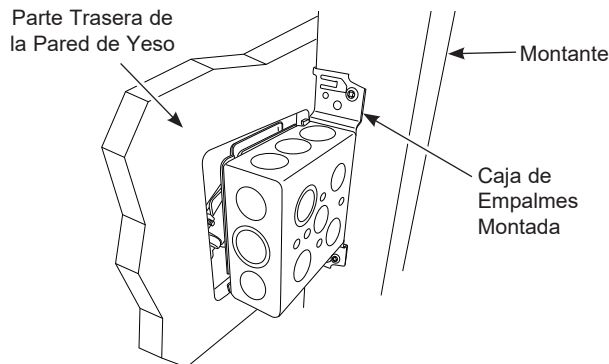
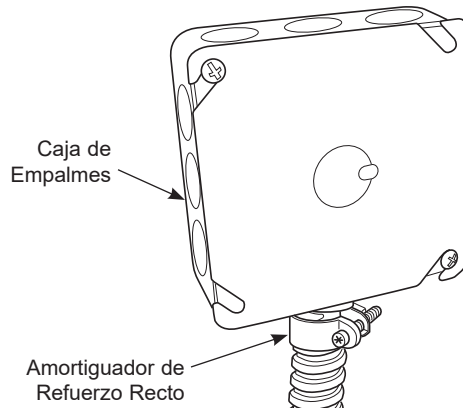
OPCIONES DE INSTALACIÓN RECOMENDADAS

Opción 1 - Una caja de empalmes con un anillo de yeso y un amortiguador de refuerzo a 90°, sobre un montante detrás de la pared de yeso.



VISTA FRONTAL

Opción 2 - Caja de empalmes estándar con un amortiguador de refuerzo recto.

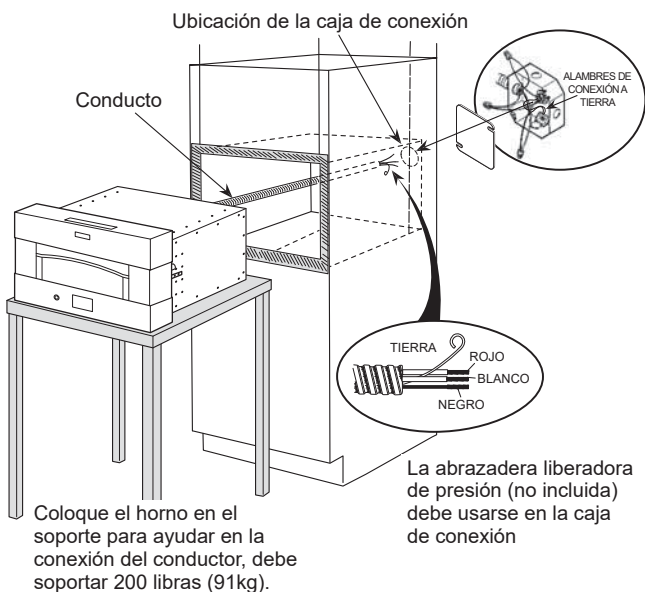


VISTA TRASERA

Instrucciones de instalación

2 CONEXIONES ELÉCTRICAS (Cont)

1. Desconecte el interruptor del circuito o retire los fusibles que alimentan el circuito de empalmes del horno.
2. Con el horno enfrente de la abertura del gabinete, sobre una mesa o plataforma conecte el conducto flexible a la caja de conexión como se muestra en la figura. Coloque el conducto de manera que quede apoyado sobre la parte superior del horno en forma de bucle natural cuando se instale el horno. Usted necesitará comprar una abrazadera liberadora de presión para completar la conexión del conducto hacia la caja de conexión.



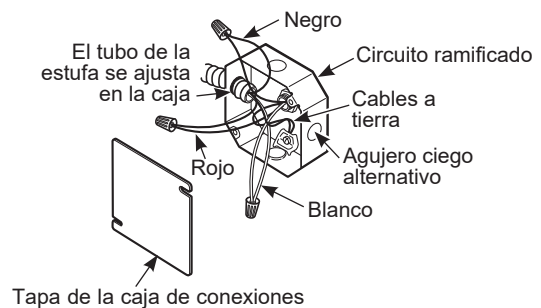
A CONEXIÓN PARA NUEVA CONSTRUCCIÓN Y DE CIRCUITO DE EMPALMES DE CUATRO CONDUCTORES

- Cuando se instale en una construcción nueva, o
- Cuando se instale en una casa móvil, o
- Al instalar en un vehículo de recreación, o
- Cuando los códigos locales no permitan hacer conexión a tierra a través de un cable neutro:

NOTA: Si los cables del hogar poseen conductores de aluminio, ver la ADVERTENCIA en la página 5.

Cuando conecte un circuito derivado de cuatro conductores, si lo permiten los códigos locales:

1. Conecte el conductor de conexión a tierra junto con el cable neutro (blanco) al neutro del circuito de empalmes (de color blanco o gris), usando una tuerca para cables.
2. Conecte el cable a tierra del artefacto (verde o cobre) de acuerdo con los códigos locales.



3. Conecte el cable neutral (blanco) del horno con el neutral de circuito derivado (blanco o gris) de acuerdo con códigos locales, utilizando un tapón de alambre.
4. Conecte el cable rojo del horno al cable rojo del circuito derivado y el cable negro del horno al cable negro del circuito derivado de acuerdo con los códigos locales, utilizando tapones de alambre.
5. Instale una abrazadera adecuada de alivio de tensión.
6. Instale la tapa de la caja de conexiones.

Instrucciones de instalación

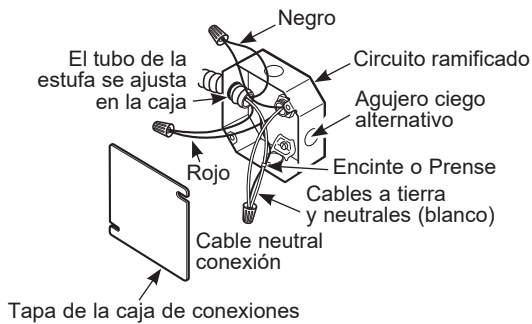
2 CONEXIONES ELÉCTRICAS (Cont)

B CONEXIÓN DE CIRCUITO DE EMPALMES DE TRES CONDUCTORES

NOTA: Si los cables domésticos son conductores de aluminio, ver la ADVERTENCIA en la página 5.

Cuando conecte un circuito derivado de tres conductores, si lo permiten los códigos locales:

1. Evite que el conductor neutro (blanco) quede enredado con cualquier otro cable. De ser necesario, corte el conductor neutro (blanco) y luego vuelva a pelar el mismo, a fin de exponer la longitud adecuada del conductor.

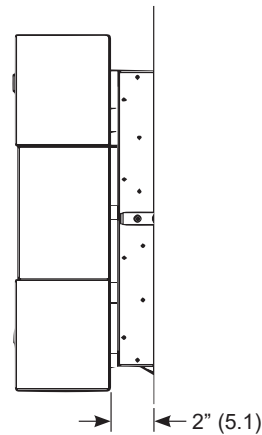


2. Conecte el cable rojo del horno al cable rojo del circuito derivado y el cable negro del horno al cable negro del circuito derivado de acuerdo con los códigos locales, utilizando tapones de alambre.
3. Instale una abrazadera adecuada de alivio de tensión.
4. Instale la tapa de la caja de conexiones.

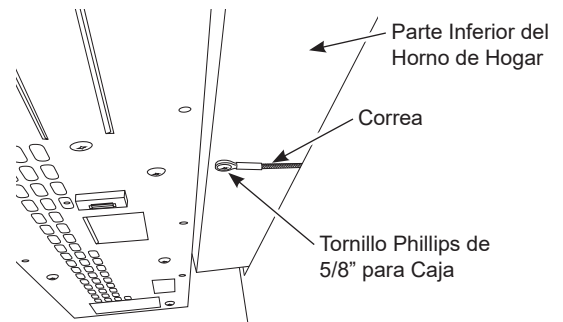
3 INSTALACIÓN DEL HORNO EN EL GABINETE

A SIN KIT DE MARCOS

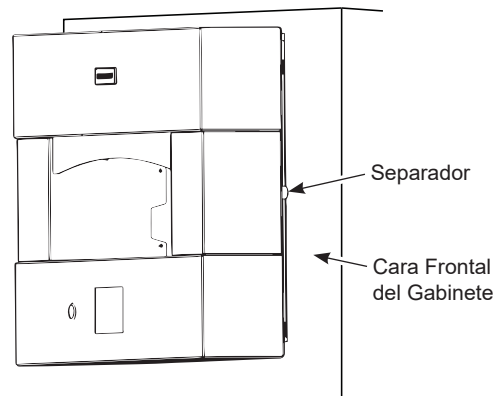
1. Eleve el horno hasta el espacio libre para el gabinete usando la parte inferior como agarre. No lo levante desde la abertura del horno.
2. De forma cuidadosa, vuelva a deslizar el horno por el espacio libre hasta que quede a aproximadamente 2" desde la cara de contacto del gabinete.



3. Adhiera el extremo libre de la correa a la parte inferior de la caja del horno de hogar, usando el tornillo para caja Phillips de 5/8".



4. Termine de deslizar el horno dentro del gabinete. El horno estará completamente instalado cuando los separadores toquen la cara frontal del gabinete.

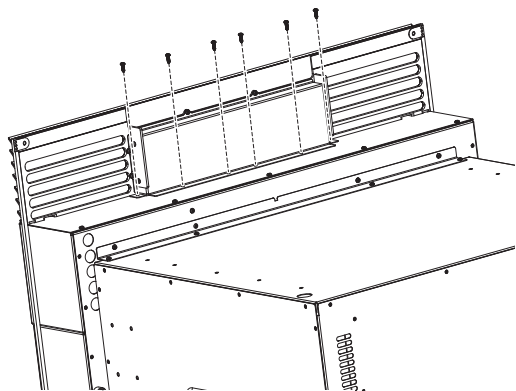


Instrucciones de instalación

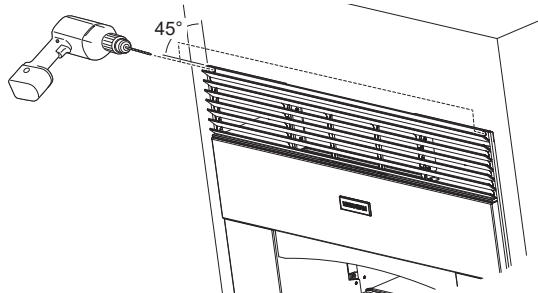
3 INSTALACIÓN DEL HORNO EN EL GABINETE (Cont.)

B CON KIT DE MARCOS

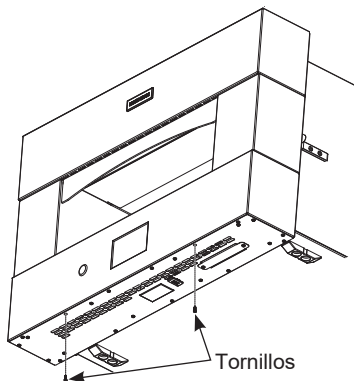
1. Antes de levantar el horno sobre el espacio del gabinete, retire los seis tornillos de la ventilación superior y adhiera la rejilla superior a la parte superior del horno usando los mismos tornillos, como se muestra.



2. Eleve el horno hasta el espacio del gabinete usando la parte inferior como agarre. No lo levante desde la abertura del horno.
3. Con cuidado, deslice la parte trasera del horno dentro del espacio hasta que la rejilla superior toque apenas la cara frontal del gabinete. **NOTA:** No empuje con demasiada fuerza, ya que se podrán producir daños sobre la rejilla superior.

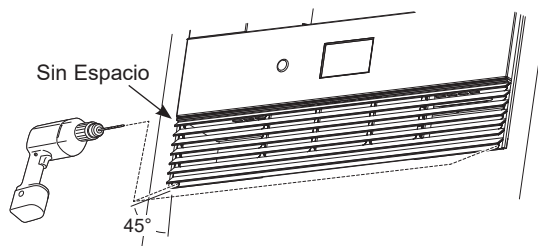


4. Haga agujeros piloto sobre el gabinete para el montaje de la rejilla superior, usando una broca de 3/32" y el agujero del marco como guía.
5. Retire estos dos tornillos de la parte inferior.



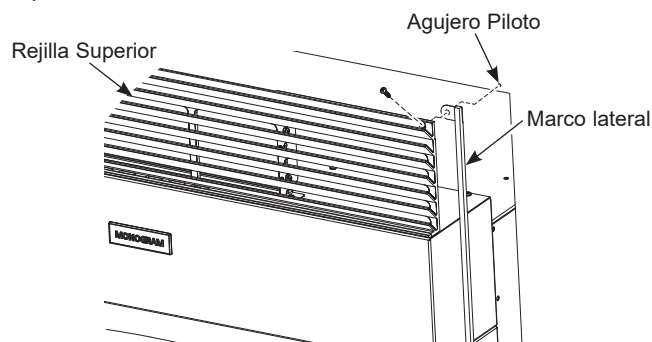
3 INSTALACIÓN DEL HORNO EN EL GABINETE (Cont.)

6. Alinee la rejilla inferior insertando los postes de alineación en el frente del horno de hogar y realice los agujeros piloto para el montaje usando una broca de 3/32", asegurando que no haya espacio entre la rejilla y el horno.

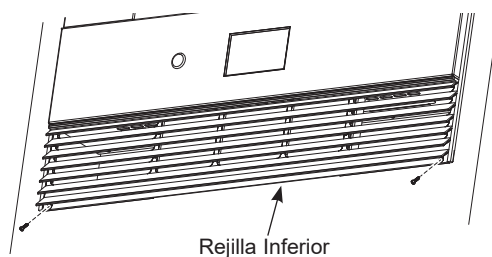
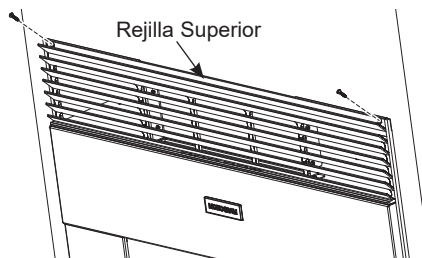


NOTA: Podrá ser usada una cinta de mascarar de 2" de ancho por 30" de largo para sostener la rejilla inferior de forma ajustada con la parte inferior del horno, mientras los agujeros de montaje son perforados.

7. Comenzando por la parte superior, adhiera las rejillas y el marco lateral usando los tornillos Phillips de 3/4" suministrados y los agujeros de 3/32" perforados previamente, como se muestra.



NOTA: Horno mostrado de forma extendida desde el gabinete para mayor claridad en el ensamble. El marco lateral deberá ser instalado con el horno y la rejilla nivelados con el marco del gabinete.

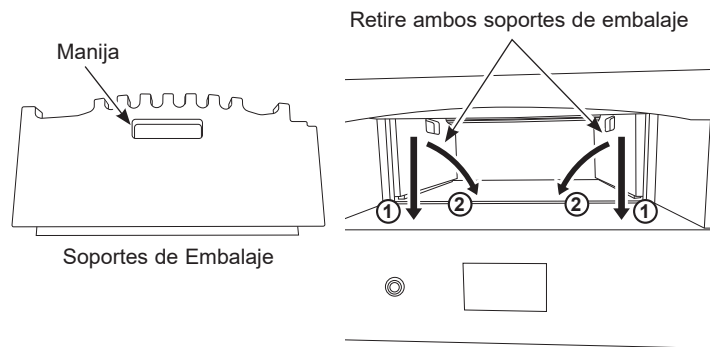


Notas

Instrucciones de instalación

LISTA DE CONTROL ANTES DE LA PRUEBA

- De estar presente, retire toda la película protectora.
- Revise para asegurarse de que todos los alambres estén bien conectados y no aplastados.
- Retire los soportes de embalaje de la superficie de cocción:
 1. Bajando el soporte de embalaje desde la manija.
 2. Girando el soporte de embalaje hacia la superficie de cocción.
 3. Retire el mismo del horno y descártelo.



LISTA DE CONTROL PARA LA OPERACIÓN

IMPORTANTE

- Retire cualquier artículo del interior del horno.
- Cerciórese de que el conducto está conectado firmemente a la caja de conexión eléctrica.
- Conecte la energía hacia el horno. (Consulte su Manual del propietario.) Verifique que todas las funciones de cocción operen correctamente.
- Cerciórese de que el interruptor de circuito no se haya disparado o de que los fusibles de la casa no estén quemados.
- Consulte el manual del propietario para una lista de problemas eventuales.

NOTA AL ELECTRICISTA: los alambres eléctricos proporcionados con este aparato son reconocidos por la UL para las conexiones con cableado residencial de mayor calibre. El aislante de estos alambres supera las especificaciones indicadas para cableado residencial. La capacidad actual de conducción del cable depende de la clasificación de la temperatura del aislamiento alrededor del alambre.

NOTA: Cableado de aluminio

- ⚠ WARNING** UNA CONEXIÓN INAPROPIADA DEL CABLEADO DEL ALUMINIO RESIDENCIAL CON EL COBRE, PODRÍA RESULTAR EN PROBLEMAS SERIOS O EN INCENDIO.
- A.
- B. Conecte los alambres de cobre a los alambres de aluminio usando conectores especiales diseñados y aprobados por UL para unir cobre y aluminio y siga cuidadosamente el procedimiento para hacer las conexiones recomendadas por el fabricante.

NOTA: El alambrado que se use, la ubicación y el tipo de conexión, etc., deben cumplir con las buenas prácticas de alambrado y los códigos locales.