

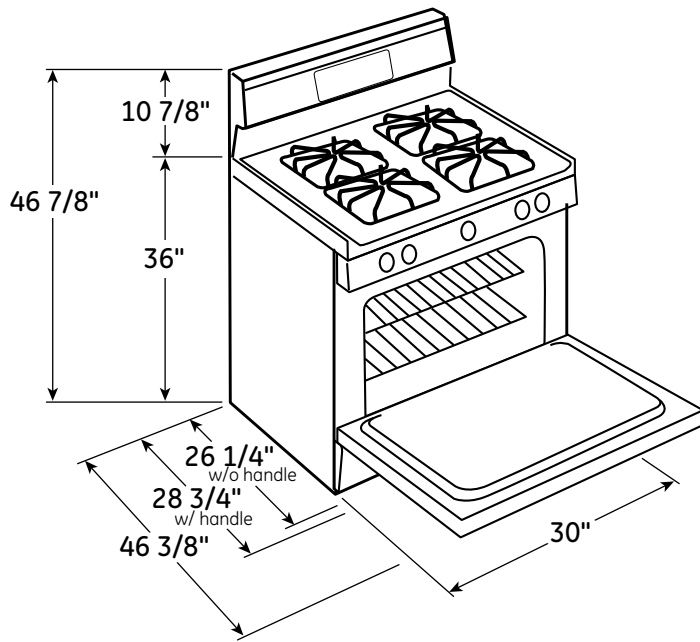
RGB780REH

Hotpoint® 30" Free-Standing Gas Range

DIMENSIONS AND INSTALLATION INFORMATION (IN INCHES)

ELECTRICAL RATING: 120V, 60Hz, 15A

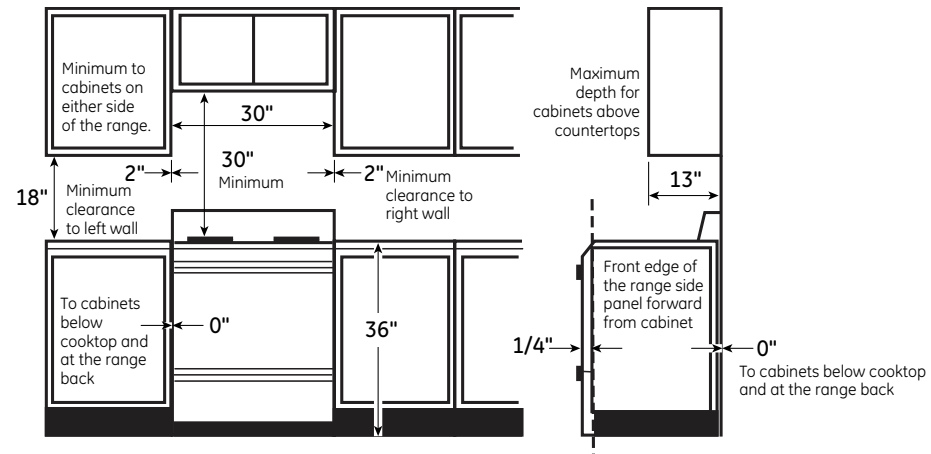
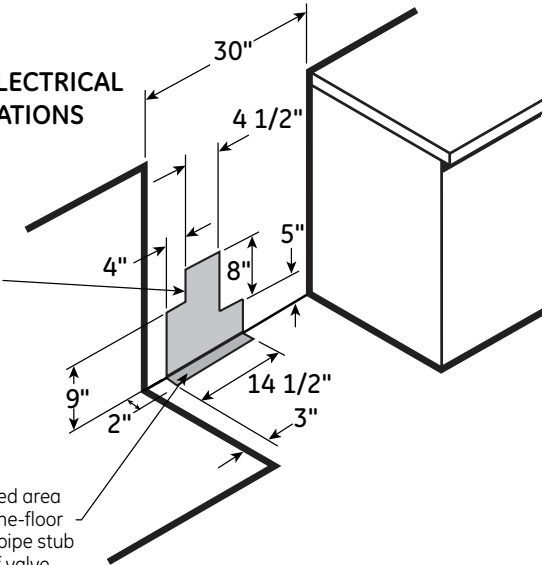
Installation Information: Before installing, consult installation instructions packed with product for current dimensional data.



GAS PIPE AND ELECTRICAL OUTLET LOCATIONS

Recommended area for 120V outlet on rear wall and area for through-the-wall connection of pipe stub and shut-off valve.

Recommended area for through-the-floor connection of pipe stub and shut-off valve.



GE APPLIANCES

For answers to your Monogram, GE Profile™ Series or GE® Series appliance questions, visit our website at geappliances.com or call GE Answer Center service, 800.626.2000.



All GE ranges are equipped with an Anti-Tip device. The installation of this device is an important, required step in the installation of the range.



Specification Revised 11/15

RGB780REH

Hotpoint® 30" Free-Standing Gas Range

FEATURES AND BENEFITS

Self-Clean Oven – Cleans the oven cavity without the need for scrubbing

4.8 cu. ft. Oven Capacity – Enough room to cook an entire meal at once

Sealed Cooktop Burners – Contain spills and make cleaning quick and easy

Simmer Burner – Provides low, even heat distribution for delicate foods and sauces

12,500 BTU Burner – Quickly produces high heat

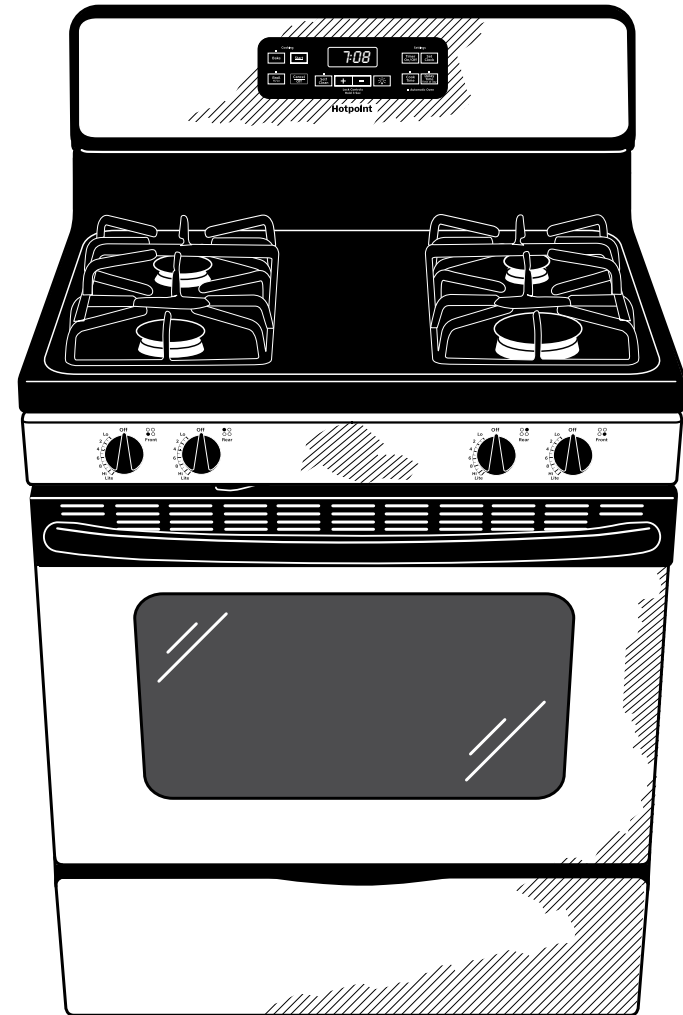
Heavy Steel Grates – Heavy-duty steel grates deliver the highest level of cooktop performance

In-Oven Broil – Healthy meals are hassle-free with in-oven broiling

Two Oven Racks – Durable to securely hold any cookware

Electronic Pilotless Ignition – Provides reliable burner ignition operation, eliminating the need for a standing pilot

Model RGB780REHSS – Stainless steel



GE APPLIANCES