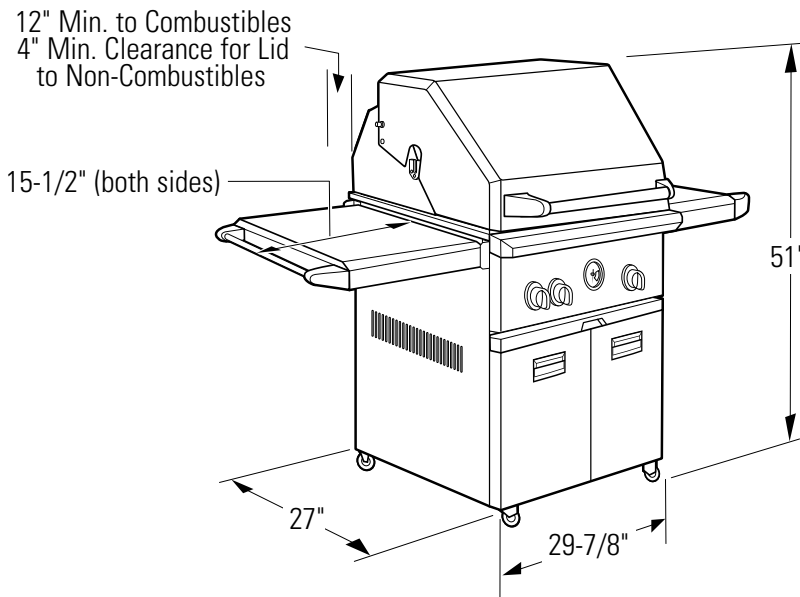


ZGG300NCPSS - Natural Gas Free-standing Outdoor Grill

ZGG300LCPSS - LP Gas Free-standing Outdoor Grill

Dimensions and Installation Information (in inches)



30" Outdoor Grills

These grills are one-piece welded construction and portable.

- Use the grill in a location that is level and stable. The minimum clearances to combustibles must be observed at all times:
- Allow at least 12" minimum clearance at the back of the grill when the exhaust is directed to a window or surface that is difficult to clean. Allow at least 4" clearance to non-combustible surfaces behind the grill to allow the hood lid to open.
- Allow 12" minimum clearance on both sides and the back of the grill to adjacent vertical combustible construction.
- These gas grills cannot be used below any type of overhead construction.
- These grills are designed for outdoor use only. Do not locate the cooktop in a building, garage or other enclosed or semi-enclosed area.
- Locate the backside of the grill away from prevailing winds and avoid cooking in windy conditions.

For answers to your Monogram,[®] GE Profile[™] or GE[®] appliance questions, visit our website at geappliances.com or call GE Answer Center[®] service, 800.626.2000.

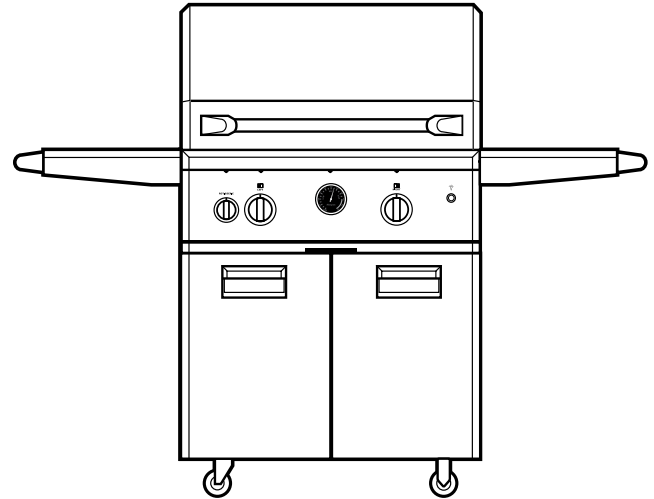


ZGG300NCPSS - Natural Gas Free-standing Outdoor Grill

ZGG300LCPSS - LP Gas Free-standing Outdoor Grill

Features and Benefits

- Heavy-duty, 304 stainless steel construction with professional styling complements Monogram ranges and other cooking products, allowing a seamless transition between indoor and outdoor spaces. A double-wall design insulates the canopy to minimize heat loss and allow for cooler surfaces. Stainless steel free-standing grills with two locking casters and two fixed wheels provide an ideal combination of portability and stability
- 25,000-BTU, stainless steel burners offer precise control across a wide spectrum of temperature settings while Gourmet Radiant™ trays ensure even heat distribution and reduce flare-ups
- Ceramic-infrared rotisserie burner allows you to slow-roast lamb, pork and other meats to succulent perfection. The rotisserie motor assembly plugs in and detaches easily for convenient cooking and storage. Stainless steel spit rod and forks included
- Integrated illumination sets the stage for nighttime grilling with red LED lights above the knob controls, along with interior halogen lighting
- Stainless steel, drop-in smoker box infuses foods with flavorful aromas, such as mesquite or hickory
- Grill accessories makes outdoor cooking centers all the more refreshing and appealing:
 - Removable cutting board has a scratch- and moisture-resistant surface that's easy to clean
 - Easy-to-clean basting pan is positioned below the rotisserie to capture natural juices from meats
 - Grill cover is felt lined and constructed of heavy-duty vinyl to provide maximum protection from the elements
- Model ZGG300NCPSS - Natural gas
- Model ZGG300LCPSS - Liquid propane



Monogram grills are factory-set for Natural or LP gas operation. Be sure to order the correct model for the installation situation.

Conversion kits (WB28X10116 - LP to Natural gas and WB28X10117 - Natural gas to LP) are available if the wrong fuel type is ordered.

High altitude kit (WB28X10119) is also available for operation above 2,000 feet. Order WB28X10118 to change the connection from LP portable (20 lb. tank) to whole house stationary tank or to change a stationary tank to portable.

Conversion kits must be installed by a qualified service technician at additional cost. Order these kits from your Monogram supplier.

For answers to your Monogram,® GE Profile™ or GE® appliance questions, visit our website at geappliances.com or call GE Answer Center® service, 800.626.2000.



imagination at work