



# Portable Room AIR CONDITIONER

**IMPORTANT SAFETY INFORMATION . . . . 3**

**CONTROLS . . . . . 4**

**PARTS AND FEATURES . . . . . 6**

**INSTALLATION REQUIREMENTS . . . . . 7**

**INSTALLATION INSTRUCTIONS . . . . . 8**

**AIR CONDITIONER USE . . . . . 12**

**AIR CONDITIONER CARE . . . . . 12**

**TROUBLESHOOTING . . . . . 13**

**LIMITED WARRANTY . . . . . 15**

**CONSUMER SUPPORT . . . . . 16**

## OWNER'S MANUAL AND INSTALLATION INSTRUCTIONS

APCD06  
APCD08

Write the model and serial numbers here:

Model # \_\_\_\_\_

Serial # \_\_\_\_\_

Find these numbers on a label on the side of the air conditioner.

## **THANK YOU FOR MAKING GE APPLIANCES A PART OF YOUR HOME.**

---

Whether you grew up with GE Appliances, or this is your first, we're happy to have you in the family.

We take pride in the craftsmanship, innovation and design that goes into every GE Appliances product, and we think you will too. Among other things, registration of your appliance ensures that we can deliver important product information and warranty details when you need them.

Register your GE appliance now online. Helpful websites and phone numbers are available in the Consumer Support section of this Owner's Manual. You may also mail in the pre-printed registration card included in the packing material.



**GE APPLIANCES**

# IMPORTANT SAFETY INFORMATION

## READ ALL INSTRUCTIONS BEFORE USING THE APPLIANCE

### IMPORTANT SAFETY INSTRUCTIONS

#### **⚠ WARNING**

To reduce the risk of fire, electrical shock, injury to persons, or damage when using the air conditioner, follow basic precautions, including the following:

- Read all of the instructions before using this appliance.
- Plug into a grounded 3 prong outlet.
- Do not remove ground prong.
- Do not use an adapter.
- Do not use an extension cord.
- Do not operate the air conditioner if it has a damaged cord or plug, if it is not working properly, or if it has been damaged or dropped.
- The air conditioner should be serviced only by qualified service personnel. Call an authorized service company for examination, repair, or adjustment.
- Disconnect power before servicing.
- Disconnect power before cleaning.

**NOTE:** Turning off power by pressing the Power button does NOT disconnect the appliance from the power supply.

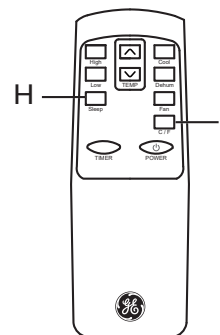
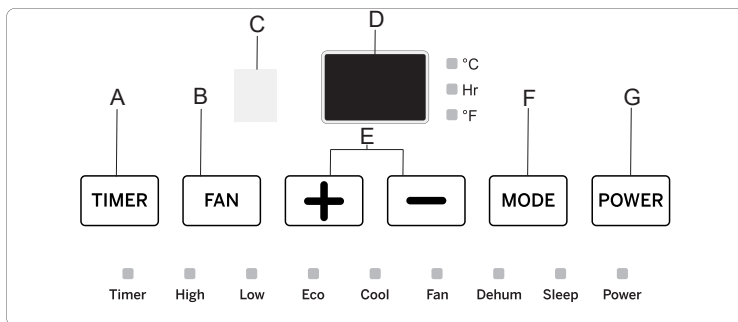
- Do not install or use the air conditioner in any area where the atmosphere contains combustible gases or where the atmosphere is contaminated. Avoid any chemicals coming in contact with your air conditioner.
- Do not store anything directly on top of the air conditioner.
- Use two or more people to move and install air conditioner.
- Never operate the air conditioner without the filters in place.
- Do not use the air conditioner near a bathtub, shower or wash basin or other wet area.

**READ AND SAVE THESE INSTRUCTIONS**

# Controls

Features and appearance will vary.

Lights next to the touch pads on the air conditioner control panel indicate the selected settings.



## Controls

### A. Timer Button

Program a time from (1-hour to 24-hours) for the air conditioner to turn Off or On. When a Time Delay is programmed, the Timer indicator light will illuminate.

#### While the air conditioner is operating:

1. Press the Timer button.
2. Press the Up/Down arrow buttons to select the number of hours you want the air conditioner to continue to operate before turning Off.

NOTE: Wait approximately 5 seconds for the Turn-Off time to be saved.

#### While the air conditioner is off:

1. Press the Timer button.
2. Press the Up/Down arrow buttons to select the number of hours you want the air conditioner to remain off before turning On.

NOTE: Wait approximately 5 seconds for the Turn-On time to be saved.

#### To cancel the timer:

- Press the Timer button once, the hours remaining will flash, press the timer button again and the timer will be canceled.

### B. Fan Speed Button

The fan speed can be adjusted from Low speed to High speed when the air conditioner is either in Cool or Fan mode.

NOTE: The fan speed cannot be adjusted when the unit is in DEHUM mode.

- Press the Fan Speed button to toggle among the two speeds. The corresponding fan speed indicator will illuminate.

### C. Remote Control Signal Receiving Window

Aim the Remote Control at this window so the Control will receive the signal.

### D. CONTROL PANEL DISPLAY

Displays the Set Temperature in degrees Fahrenheit or degrees Celsius, or the hours remaining in a Time Delay. The corresponding indicator light will illuminate.

### E. Up and Down Arrow Buttons

Adjusts the Temperature or Hours in Time Delay.

### To Set the Temperature:

The temperature can be set between 62°F and 86° F (17°C and 30° C) when the air conditioner is in Cool mode.

1. Press the Mode button until the Cool mode is selected.
2. Press the Up Arrow or Down Arrow buttons to select the Temperature.

NOTE: The temperature cannot be set when the air conditioner is in either Fan or Dry mode.

### F. Mode Button

Press the Mode button to toggle among the operating options. The corresponding indicator will illuminate:

- Cool – Cools the room to the set temperature
- ECO – Cycles fan to cool economically
- Dehum – Reduces the humidity in the room
- Fan – Circulates the air in the room without cooling

### G. Power Button

Turns ON/OFF power to the air conditioner.

NOTE: Turning o power by pressing the Power button does NOT disconnect the appliance from the power supply.

- Press the Power button. The Power indicator will illuminate.

### REMOTE CONTROL

1. Insert the two batteries (provided).
2. Aim the remote control at the signal receiver on the control panel to operate the air conditioner.

### H. Sleep Button

Increases the set temperature by 2°F (1°C) after 2-hours, and then increases the temperature by an additional 2°F (1°C) after another 2-hours.

NOTE: The fan will operate at Low speed and cannot be adjusted while in Sleep mode. Press the Sleep button to enter Sleep mode. The Sleep indicator will illuminate.

#### To Cancel Sleep Mode:

- Press the Sleep button or the Mode button (Cool, Fan or Dry) on the remote control.
- ### I. °C/°F Button
- Press the °C/°F button to toggle between displaying the temperature in degrees Fahrenheit or degrees Celsius. The corresponding indicator will illuminate.

# Controls

---

The display will always default to show the room temperature.

When the air conditioner is turned on, it will automatically start in the last mode and fan settings selected.

---

## Cool Mode

Use the COOL mode for cooling.

To set the COOL mode:

1. Press the **MODE** pad until the **COOL** indicator light is lit.
2. Press the **FAN** pad to set HIGH or LOW fan speed.
3. Press **+** or **-** to set the desired temperature between 61°F and 89°F in 1°F increments.

After settings have been made, the display will change back to show the room temperature.

The temperature control is used to maintain the room temperature. The compressor will cycle on and off to keep the room at the set level of comfort. Set the temperature control at a lower number and the indoor air will become cooler. Set the temperature control at a higher number and the indoor air will become warmer.

---

**NOTE:** If the air conditioner is off and is then turned on while set to COOL, it will take approximately 3 minutes for the compressor to start and cooling to begin.

### Cooling Descriptions

**For Normal Cooling**—Select the COOL mode and HIGH or LOW fan speed with a middle set temperature.

**For Maximum Cooling**—Select the COOL mode and HIGH fan speed with a lower set temperature.

**For Quieter & Nighttime Cooling**—Select the COOL mode and LOW fan speed with a middle set temperature.

**NOTE:** If you switch from COOL or DEHUM mode setting to OFF, wait 3 minutes before restarting.

---

## ECO Mode

Use ECO mode for economy cooling.

To set **ECO Mode**:

1. Press the **MODE** pad until the **ECO** indicator light is lit.
  2. Press **FAN** pad to set high or low fan speed.
  3. Press **+** or **-** to set desired temperature between 61°F and 89°F in 1°F increments.
- 

In ECO mode, the fan will cycle off with the compressor when room temperature is reached. Then the fan will cycle 10 minutes off / 2 minutes on to sample the room temperature.

---

## DEHUM Mode—Dehumidification

Use the DEHUM mode to provide dehumidification only. The fan will run at a fixed speed at this setting, so a fan speed cannot be set. Keep windows and doors closed for the best dehumidifying effects.

To set the **DEHUM mode**:

• Press the **MODE** pad until the **DEHUM** indicator light is lit.

In the DEHUM mode, a set temperature will not be displayed. After DEHUM mode has been set, the display will change back to show the room temperature.

**NOTE:** If you switch from a DEHUM setting to OFF or

to a fan setting, wait at least 3 minutes before switching back to a DEHUM setting.

If using the unit in the DEHUM mode as a dehumidifier for an extended time.

1. Unplug the power cord.
  2. Connect a drain hose (not included) to the bottom drain port (see page 10, lower drain #8) and lead hose to floor drain.
  3. Reconnect the power cord and press the **MODE** pad until the **DEHUM** indicator light is lit.
- 

## FAN Mode

Use the FAN mode to provide air circulation and filtering without cooling.

To set the **FAN mode**:

- Press the **FAN** pad until the desired indicator light for HIGH or LOW fan speed is lit.
- 

Since fan only settings do not provide cooling, a set temperature will not be displayed. After FAN speed has been set, the display will change back to show the room temperature.

---

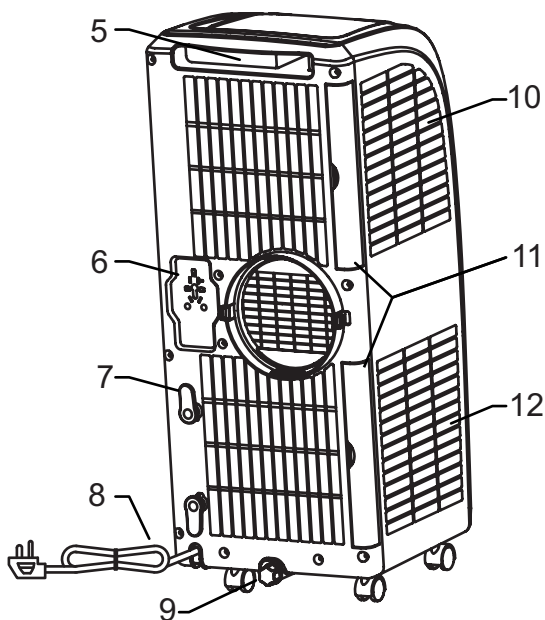
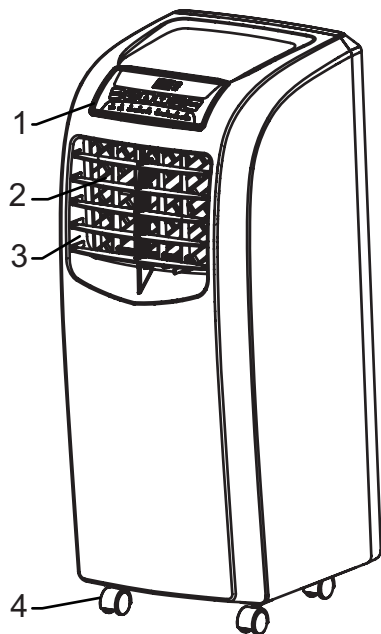
## Power Outage Recovery Feature

In the case of a power outage or interruption, the unit will automatically re-start in the settings last used after the power is restored.

**NOTE:** If the **TIMER** was set before the power outage, it will need to be reset after power is restored.

---

# Parts and Features



**NOTE:** Remove filters (number 11) first, in order to access filters 10 and 12.

- 1. Control Panel
- 2. Vertical Louvers
- 3. Horizontal Louvers
- 4. Casters
- 5. Handle (right side for remote control storage)
- 6. Plug Storage

- 7. Power Cord Storage
- 8. Power Cord
- 9. Drain Hole and Cover
- 10. Filter
- 11. Filters
- 12. Filter

# Installation Requirements

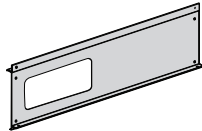
## TOOLS AND PARTS

Gather the required tools and parts before starting installation.

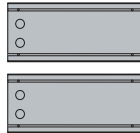
### TOOLS NEEDED

- Flat-blade Screwdriver
- Phillips Screwdriver

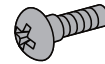
### PARTS SUPPLIED



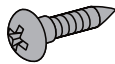
**Main Window Panel**



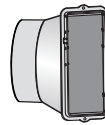
**Extension Panels (2)**



**Flat Screws (6)**  
4 for extension panels  
2 for nozzles



**Pointed Screws (7)**  
2 for top window brackets  
1 for security bracket  
4 for main window panel



**Exhaust Nozzle**



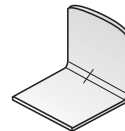
**Exhaust Hose**



**Top Window Bracket (2)**  
Use for Vinyl Windows



**Bottom Window Bracket (2)**  
Use for Vinyl Windows



**Security Bracket**



**Top Foam Seal**  
(10 mm x 10 mm x 102 cm)



**Bottom Foam Seal**  
(3 mm x 10 mm x 102 cm)



**Stuffer Seal**  
Strip (15 mm x 33 mm x 1200 mm)

# Installation Instructions

Questions? Call GE Appliances at 800.GE.CARES (800.432.2737) or visit our Website at: [GEAppliances.com](http://GEAppliances.com).

## BEFORE YOU BEGIN

Read these instructions completely and carefully.

- **IMPORTANT** — Save these instructions for local inspector's use.
- **IMPORTANT** — Observe all governing codes and ordinances.
- **Note to Installer** – Be sure to leave these instructions with the Consumer.
- **Note to Consumer** – Keep these instructions for future reference.
- **Skill level** – Installation of this appliance requires basic mechanical skills.
- **Completion time** – Approximately 1 hour
- We recommend that two people install this product.
- Proper installation is the responsibility of the installer.
- Product failure due to improper installation is not covered under the Warranty.
- You **MUST** use all supplied parts and use proper installation procedures as described in these instructions when installing this air conditioner.

## ELECTRICAL REQUIREMENTS



Some models require a 115/120-volt AC, 60-Hz grounded outlet protected with a 15-amp time-delay fuse or circuit breaker.

The 3-prong grounding plug minimizes the possibility of electric shock hazard. If the wall outlet you plan to use is only a 2-prong outlet, it is your responsibility to have it replaced with a properly grounded 3-prong wall outlet.

## CAUTION

Do not, under any circumstances, cut or remove the third (ground) prong from the power cord.

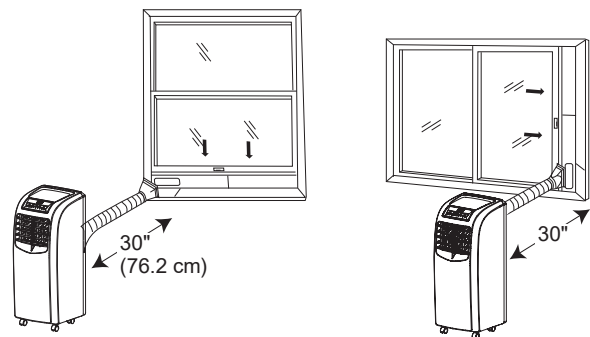
Do not change the plug on the power cord of this air conditioner.

Aluminium house wiring may present special problems—consult a qualified electrician.

Power cord includes a current interrupter device. A test and reset button is provided on the plug case. The device should be tested on a periodic basis by first pressing the TEST button and then the RESET button while plugged into the outlet. If the TEST button does not trip or if the RESET button will not stay engaged, discontinue use of the air conditioner and contact a qualified service technician.

## Location Requirements

- Place the air conditioner on a flat, level surface in a location that is at least 30" (76.2 cm) from any wall.
- NOTE:** A minimum clearance of 30" (76.2 cm) from the air conditioner to the wall must be maintained to ensure proper airflow.
- Maintain a minimum 30" (76.2 cm) clearance around the air conditioner to not block airflow.
  - Keep the air conditioner free of any obstructions such as drapes, curtains, blinds, etc.
  - The exhaust hose should be free of any obstructions.
  - Do not place the air conditioner on an unstable or raised surface because it could fall and cause damage or injury.
  - Do not place the air conditioner in direct sunlight or near a heat source such as baseboard heaters, stoves, etc.
  - The window panel can be installed in a window with a minimum 30" (76.2 cm) to a maximum 40" (101.6 cm) opening.





# Installation Instructions

## 1. Unpack the Air Conditioner

### ⚠ WARNING

#### Excessive Weight Hazard

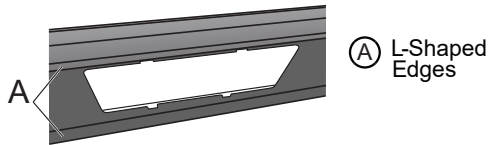
- Use two or more people to move and install air conditioner.
- Failure to do so can result in back or other injury.
- Remove packaging materials. Save the carton and the foam packaging for storing the air conditioner when not in use.

**NOTE:** There are NO packing materials inside the air conditioner to remove—Do Not open the cabinet.

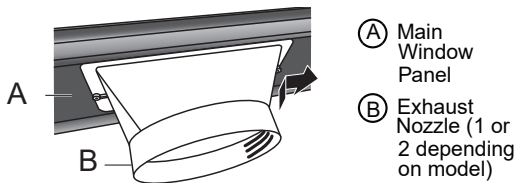
- Properly dispose of/recycle all packing material.
- Handle the air conditioner gently.
- Keep the air conditioner upright and level. Do not set the air conditioner on its side, front, back or upside down.

## 2. Install Exhaust Nozzle to Main Window Panel

1. Hold the main window panel so that the L-shaped edges of the panel are facing you.

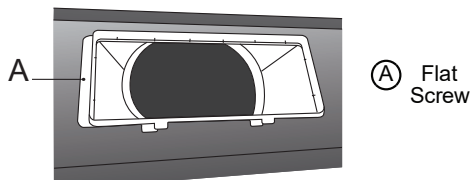


2. Align the exhaust nozzle with the slots in the opening, and then insert and slide the nozzle to access the hole from the back of the main window panel.



3. Turn the main window panel over, so that the nozzle is away from you. Insert a flat screw through the hole to fasten the window panel to the adapter.

**NOTE:** On a dual hose unit, install the smaller hose nozzle to the left-hand hole in the panel.



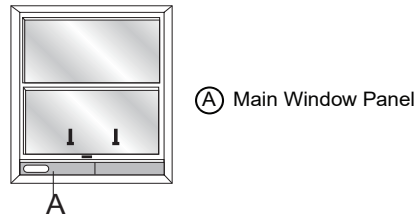
## 3. Install Main Window Panel and Extension Panels

**NOTE:** Depending on the size of your window opening, use the main panel and one or both of the extension panels.

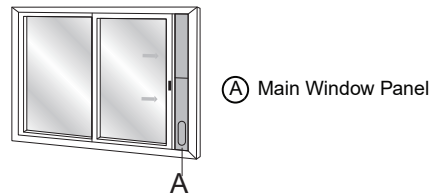
1. Open the window and place the main window panel into the window.

**NOTE:** The window assembly is designed to accommodate either a vertical slide or horizontal slide window.

### Vertical Slide Window:



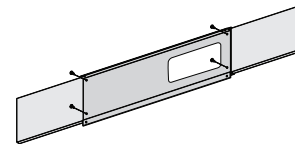
### Horizontal Slide Window:



2. Adjust the extension panel(s) to the width or height of the window as shown.

**NOTE:** Some window installations may require the extension panels to be trimmed.

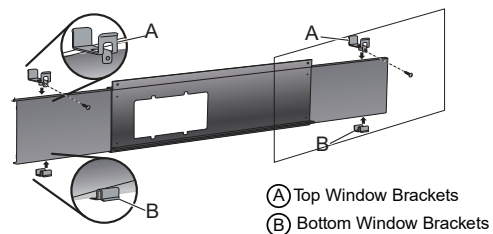
3. Depending on the number of extension panels used, use two or four flat screws to secure the extension panel(s) to the main panel. Install from the back.



**NOTE:** There are many window types on the market today. Use the foam strips and brackets (provided) to secure the extension panels that will fit the window opening.

4. For vinyl windows only. Skip to step 6 for wood windows. Place the two top window brackets and two bottom window brackets where they will best support the extension panels.

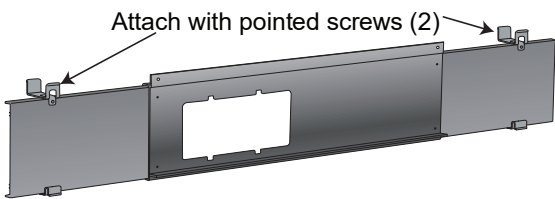
**Before assembly: USE ONLY FOR VINYL**



# Installation Instructions

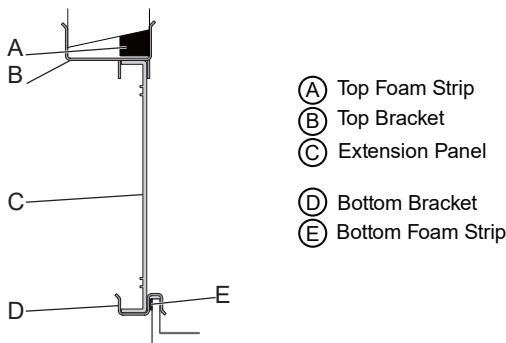
## 3. Install Main Window Panel and Extension Panels (cont.)

After assembly:

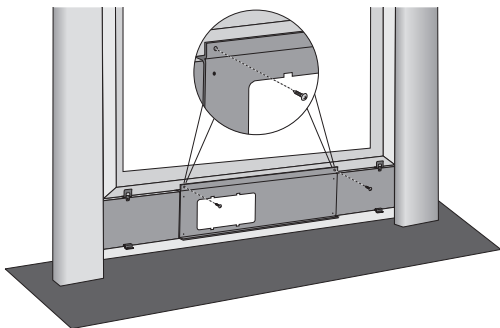


5. Apply the top foam strip (provided) across the top of the window panel assembly, and then apply the bottom foam strip (provided) across the bottom front edge of the window panel assembly, as shown.

Typical Vinyl Window Installation:

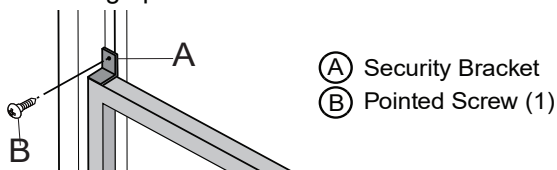


6. Place the window panel assembly in the window, and using the screws provided, fasten the assembly to the window sill and window frame.



7. Using one pointed screw, install the Security bracket to the window.

**NOTE:** The security bracket prevents the window from being opened from the outside.

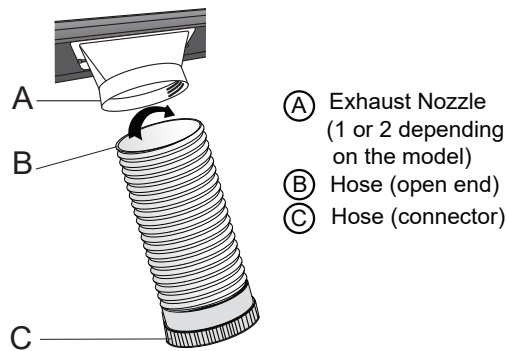


## 4. Attach Exhaust Hose to the Exhaust Nozzle

1. Grasp both ends of the exhaust hose and gently pull to expand the hose.

**NOTE:** Do not attach additional hoses to extend the length. This would decrease cooling efficiency and may damage the air conditioner.

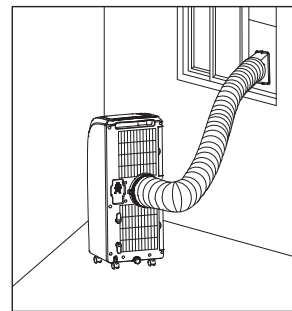
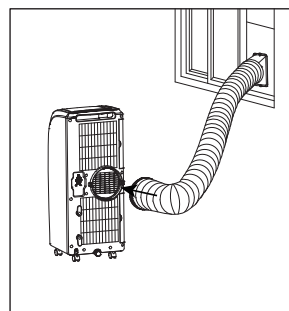
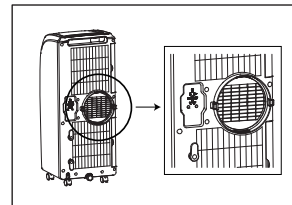
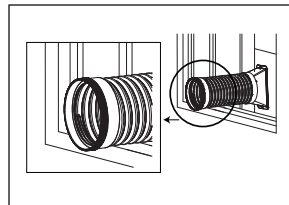
2. Using a counterclockwise motion, attach the open end of the exhaust hose to the exhaust nozzle.



## 5. Connect Exhaust Hose to the Air Conditioner

**IMPORTANT:** When connecting the hose, the air conditioner must be close enough to the window that you will not dislodge the window seal plate. Once the hose is connected, move the air conditioner 20" (51 cm) from the wall.

1. Extend the flexible exhaust hose to reach out to the unit.
2. Aim the opening of the hose to the air exhaust outlet and push it hard straight into the outlet until it clicks.



## 6. Complete Installation

### **⚠ WARNING**

#### **Electrical Shock Hazard:**

- Plug into a grounded 3 prong outlet.
- Do not remove the ground prong from the power cord plug.
- Do not use an adapter.
- Do not use an extension cord.
- Failure to do so can result in death, fire or electrical shock.

1. Plug the power cord into a grounded 3 prong outlet.
2. Press the Reset button on the power cord to ensure the safety plug is providing power to the air conditioner.

## Air Conditioner Use

**IMPORTANT:** If the air conditioner has been tilted on its side, wait 24 hours before turning on the air conditioner to allow the oil to return to the compressor. This will prevent the air conditioner from failing prematurely.

- Allow 30" (76.2 cm) of space around the unit for proper air circulation.
- Do Not operate the air conditioner without air filters in place.
- Do not spill liquid on the control panel; it may cause an electrical short to the interior electronic parts that would either disable them or cause them to function improperly.
- When turning on the air conditioner for the first time after plugging it into an electrical outlet, the unit will start in Cooling mode set at 75°F (24°C), and at High fan speed. The control panel will display the current room temperature.
- When turning on the unit after previous use, it will remember the last settings used.
- After a normal shut down, please wait for 3 minutes before restarting the unit.
- In Cooling mode, this unit should not require water to be removed. This model has a unique design that continuously evaporates the water.
- When the unit is operated in high humidity conditions, you may need to empty the water tank periodically.
- The unit will shut down automatically when the water tank is full. The Water Full indicator illuminates to alert you of this condition.

## Air Conditioner Care

### **⚠ WARNING** Electrical Shock Hazard:

- Disconnect power before cleaning.
- Failure to do so can result in death or electrical shock.

### Cleaning

1. Unplug or disconnect power.
2. Use only a soft cloth dampened with water to clean the cabinet.
 

**NOTE:** Do not use a liquid or spray cleaner to clean the air conditioner.

**NOTE:** DO NOT use chemicals, abrasives, ammonia, chlorine bleach, concentrated detergents, solvents or scouring pads. Some of these chemicals/items may damage and/or discolor your air conditioner.
3. Dry thoroughly with a soft cloth.
4. Plug in or reconnect power.

### Air Filters

The air filters should be cleaned at least once a week for your unit to operate at optimum efficiency.

**IMPORTANT:** Do Not operate the air conditioner without the air filters in place.

1. Unplug or disconnect the power.
2. Pull on the tabs to slide out the filters from the back of the air conditioner.
 

**NOTE:** The secondary filters are accessible once the main filters are removed.
3. Wash or vacuum the dust from the air filters.
 

**NOTE:** If washed, gently shake the filter to remove the excess water and dust particles trapped in the filter.
4. Reinstall the filters.
5. Plug in or reconnect power.

### Internal Water Tank

The Water Full indicator illuminates, when the internal water tank has filled with condensed water.

#### To Empty the Internal Water Tank:

1. Unplug or disconnect power.
2. Place a shallow 1 quart or larger pan (not included) below the lower drain located on the back (near the bottom) of the air conditioner.
3. Remove the cap and the rubber plug and drain the water tank.
4. Re-insert the drain plug and screw the cap snugly into place.
5. Plug in or reconnect power.

### Storage

#### If the unit is not being used for a long period of time:

1. Unplug or disconnect power.
2. Drain the water from the water tank. See "Air Conditioner Care."
3. Use the original packaging to repack the unit to avoid a buildup of dust or dirt.
4. Store the air conditioner in a cool, dry location.

# Troubleshooting Tips

Problem	Possible Causes	Solution
Unit does not start or operate	Power supply cord is not plugged into an outlet.	Plug the power cord into a grounded 3 prong outlet.
	Power supply cord has tripped.	Press and release the RESET button on the power supply cord.
	The Power button has not been pressed.	Press the Power button on the Control Panel or Remote Control to turn ON the air conditioner.
	There is no power to the electrical outlet.	Plug a working lamp into the outlet to check for power.
	A household fuse has blown or a circuit breaker has tripped.	Replace the fuse or reset the circuit breaker.
	The control was programmed for a Time Delay.	Cancel the Time Delay. See "Control Panel."
	The batteries in the remote control are dead.	Replace the batteries.
	The internal water tank is full. <b>NOTE:</b> The air conditioner automatically turns off, and the Water Full indicator illuminates to alert you of this condition.	Empty the water tank. See "Air Conditioner Care."
Remote control is not working	Batteries are dead.	Replace the batteries.
	Batteries are installed incorrectly.	Make sure the batteries are inserted in the correct position.
Air conditioner is working but the room is not cooling.	The room temperature is hot. <b>NOTE:</b> On extremely hot and humid days, the air conditioner will take longer to cool the room.	Allow time for the room to cool when you first turn on the unit. Make sure the air conditioner has an adequate BTU rating for the size of the room being cooled.
	The control is set incorrectly to Fan or Dehum mode.	Set the Mode to Cool and the Fan Speed to High.
	Airflow is restricted.	Remove any obstacles to the airflow and redirect airflow for uniform cooling.
	Temperature set too high.	Lower the set temperature.
	Air filters are dirty or restricted.	Clean the air filter. See "Air Conditioner Care."
	Air conditioner installed incorrectly	Check the exhaust hose and window panel for proper installation.
	Doors and windows are open.	Close the doors and windows to the room being cooled to prevent cooled air from escaping.



# Limited Warranty

For The Period Of:	Will Replace:
One Year From the date of the original purchase	<b>Replacement, repair, or refund</b> of the original retail price for any product which fails due to a defect in materials or workmanship. If the unit is exchanged, the replacement unit is warranted for the remainder of your product's original one-year warranty period. GE Appliances will, at its sole discretion, replace the product with a product of the same or comparable functionality and quality or refund the original retail price.

## In Order to Make a Warranty Claim During the First 90 Days from the Date of Original Purchase:

- Properly pack your unit. We recommend using the original carton and packing materials.
- Return the product to the retail location where it was purchased.
- Include in the package a copy of the sales receipt or other evidence of date of original purchase. Also print your name and address and a description of the defect.

## In Order to Make a Warranty Claim During the Remainder of the One-Year Warranty:

- Locate your original sales receipt and make a note of your model and serial number.
- Call 800.GE.CARES (800.432.2737) or visit [GEAppliances.com/service](http://GEAppliances.com/service) (in the United States) to initiate the product replacement process.
- You will be asked to provide your name, address, date of purchase, model and serial number.
- GE Appliances will arrange for a carton to be sent to your home to recover the product.
- Please return all requested materials (postage pre-paid) in the carton provided. Please include a description of the defect.
- You should receive your replacement product or refund within 7 to 10 business days after your package is received.

## What Will Not Cover:

- Customer instruction. This owner's manual provides information regarding operating instructions and user controls.
- Improper installation. If you have an installation problem, or if the air conditioner is of improper capacity, contact your dealer or installer. You are responsible for providing adequate electrical connecting facilities.
- Failure of the product resulting from modifications to the product or due to unreasonable use including failure to provide reasonable and necessary maintenance.
- Replacement of house fuses or resetting of circuit breakers.
- Failure due to corrosion on models not corrosion-protected.
- Damage to the product caused by improper power supply voltage, accident, fire, floods or acts of God.
- Incidental or consequential damage caused by possible defects with this air conditioner.
- Damage caused after delivery.

**EXCLUSION OF IMPLIED WARRANTIES** - Your sole and exclusive remedy is product repair as provided in this Limited Warranty. Any implied warranties, including the implied warranties of merchantability or fitness for a particular purpose, are limited to one year or the shortest period allowed by law.

**For US Customers:** This limited warranty is extended to the original purchaser and any succeeding owner for products purchased for home use within the USA. If the product is located in an area where service by a GE Appliances Authorized Servicer is not available, you may be responsible for a trip charge or you may be required to bring the product to an Authorized GE Appliances Service location for service. In Alaska, the limited warranty excludes the cost of shipping or service calls to your home.

Some states do not allow the exclusion or limitation of incidental or consequential damages. This limited warranty gives you specific legal rights, and you may also have other rights which vary from state to state. To know what your legal rights are, consult your local or state consumer affairs office or your state's Attorney General.

**Warrantor US:**  
**GE Appliances, a Haier company**  
 Louisville, KY 40225

Staple your receipt here. Proof of the original purchase date is needed to obtain service under the warranty.

# Consumer Support

---

## GE Appliances Website

Have a question or need assistance with your appliance? Try the GE Appliances Website 24 hours a day, any day of the year! You can also shop for more great GE Appliances products and take advantage of all our on-line support services designed for your convenience. In the US: **GEAppliances.com**

---

## Register Your Appliance

Register your new appliance on-line at your convenience! Timely product registration will allow for enhanced communication and prompt service under the terms of your warranty, should the need arise. You may also mail in the pre-printed registration card included in the packing material. In the US: **GEAppliances.com/register**

---

## Schedule Service

Expert GE Appliances repair service is only one step away from your door. Get on-line and schedule your service at your convenience any day of the year. In the US: **GEAppliances.com/service** or call 800.432.2737 during normal business hours.

---

## Extended Warranties

Purchase a GE Appliances extended warranty and learn about special discounts that are available while your warranty is still in effect. You can purchase it on-line anytime. GE Appliances Services will still be there after your warranty expires. In the US: **GEAppliances.com/extended-warranty** or call 800.626.2224 during normal business hours.

---

## Remote Connectivity

For assistance with wireless network connectivity (for models with remote enable), visit our website at **GEAppliances.com/connect** or call 800.220.6899 in the US.

---

## Parts and Accessories

Individuals qualified to service their own appliances can have parts or accessories sent directly to their homes (VISA, MasterCard and Discover cards are accepted). Order on-line today 24 hours every day. In the US: **GEApplianceparts.com** or by phone at 877.959.8688 during normal business hours.

**Instructions contained in this manual cover procedures to be performed by any user. Other servicing generally should be referred to qualified service personnel. Caution must be exercised, since improper servicing may cause unsafe operation.**

---

## Contact Us

If you are not satisfied with the service you receive from GE Appliances, contact us on our Website with all the details including your phone number, or write to:

In the US: General Manager, Customer Relations | GE Appliances, Appliance Park | Louisville, KY 40225  
**GEAppliances.com/contact**





# ACONDICIONADORES DE AIRE PARA SALA

**INFORMACIÓN IMPORTANTE DE SEGURIDAD** ..... 3

**PIEZAS Y CARACTERÍSTICAS**..... 4

**REQUISITOS DE INSTALACIÓN** ..... 6

**INSTRUCCIONES DE INSTALACIÓN** ..... 7

**PANEL DE CONTROL** ..... 8

**USO DEL ACONDICIONADOR DE AIRE**.. 12

**CUIDADO DEL ACONDICIONADOR DE AIRE**  
..... 12

**SOLUCIÓN DE PROBLEMAS** ..... 13

**GARANTÍA LIMITADA**..... 15

**INFORMACIÓN A TENER EN CUENTA**... 16

## MANUAL DEL PROPIETARIO Y INSTRUCCIONES DE INSTALACIÓN

APCD06  
APCD08

Escriba los números de modelo y serie aquí:

# de Modelo \_\_\_\_\_

# de Serie \_\_\_\_\_

Puede encontrar estos números en una etiqueta en el costado del acondicionador de aire.

## **GRACIAS POR HACER QUE GE APPLIANCES SEA PARTE DE SU HOGAR.**

---

Ya sea que haya crecido usando GE Appliances, o que ésta es su primera vez, nos complace tenerlo en la familia.

Sentimos orgullo por el nivel de arte, innovación y diseño de cada uno de los electrodomésticos de GE Appliances, y creemos que usted también. Entre otras cosas, el registro de su electrodoméstico asegura que podamos entregarle información importante del producto y detalles de la garantía cuando los necesite.

Registre su electrodoméstico GE ahora a través de Internet. Sitios Web y números telefónicos útiles están disponibles en la sección de Soporte para el Consumidor de este Manual del Propietario.

También puede enviar una carta en la tarjeta de inscripción preimpresa que se incluye con el material embalado.



**GE APPLIANCES**

# INFORMACIÓN IMPORTANTE DE SEGURIDAD

## LEA TODAS LAS INSTRUCCIONES ANTES DE USAR

### INSTRUCCIONES IMPORTANTES DE SEGURIDAD

#### ⚠ ADVERTENCIA

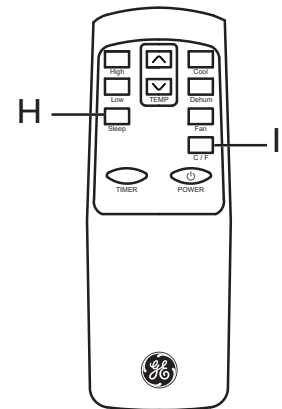
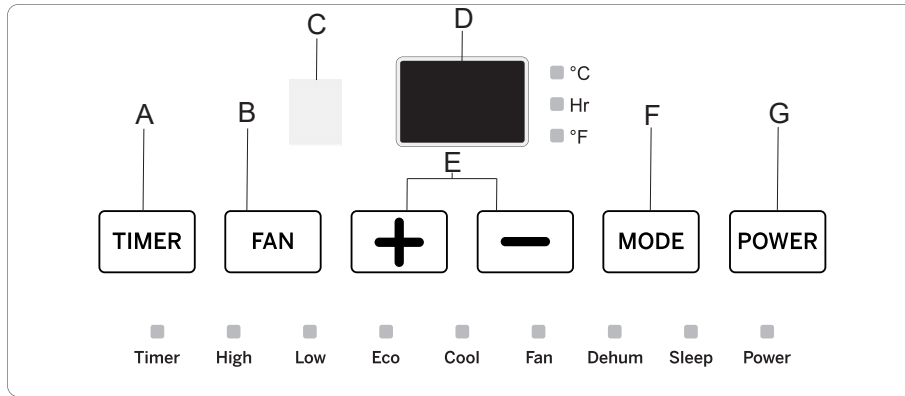
Para reducir el riesgo de incendio, choque eléctrico, lesiones a personas o daños al utilizar el acondicionador de aire, siga precauciones básicas, incluyendo las siguientes:

- Lea todas las instrucciones antes de usar este electrodoméstico.
  - Conecte a un contacto de pared de conexión a tierra de 3 terminales.
  - No quite el terminal de conexión a tierra.
  - No use un adaptador.
  - No use un cable eléctrico de extensión.
  - No ponga a funcionar el acondicionador de aire si tiene un cable o enchufe dañado, si no funciona correctamente o si se ha dañado o caído.
  - El acondicionador de aire solo debe ser reparado por personal de servicio competente. Llame a la compañía de servicio técnico autorizada para su inspección, reparación o ajuste.
  - Desconecte el suministro de energía antes de darle servicio técnico.
- Desconecte el suministro de energía antes de limpiarlo..  
NOTA: Si apaga la unidad presionando el botón Power (Encendido), esto NO desconecta el electrodoméstico del suministro de energía.
  - No instale ni utilice el acondicionador de aire en áreas donde la atmósfera contenga gases combustibles o donde la atmósfera esté contaminada. Evite que cualquier producto químico entre en contacto con el acondicionador de aire.
  - No almacene nada directamente encima del acondicionador de aire.
  - Con la ayuda de dos o más personas, mueva e instale el acondicionador de aire.
  - Nunca haga funcionar el acondicionador de aire si los filtros de aire no están colocados en su lugar.
  - No utilice el acondicionado de aire cerca de una tina, ducha o lavabo ni otra zona húmeda.

**LEA Y GUARDE ESTAS INSTRUCCIONES**

# Controles

Las luces al lado de las teclas de toque en el panel de control del acondicionador de aire indicarán los ajustes seleccionados. Las funciones y el aspecto pueden variar.



## Controles

### A. BOTÓN TIMER (TEMPORIZADOR)

Programa un tiempo desde (1 hora a 24 horas) para que el acondicionador de aire se apague o se encienda. Cuando se programa un tiempo diferido, la luz indicadora de Timer (Temporizador) se iluminará.

**Mientras el acondicionador de aire está funcionando:**

1. Presione el botón Timer (Temporizador).
2. Presione los botones con flecha hacia arriba/abajo para seleccionar el número de horas que desea que el acondicionador de aire continúe funcionando antes de apagarse.

**NOTA:** Espere unos 5 segundos para que se guarde la hora en que se apagará.

**Mientras el acondicionador de aire está apagado:**

1. Presione el botón Timer (Temporizador).
2. Presione los botones con flecha hacia arriba/abajo para seleccionar el número de horas que desea que el acondicionador de aire permanezca apagado antes de encenderse.

**NOTA:** Espere unos 5 segundos para que se guarde la hora en que se encenderá.

Para cancelar el temporizador:

- Presione el botón Timer (Temporizador) una vez, las horas restantes destellarán, presione el botón Timer (Temporizador) de nuevo y el temporizador se cancelará.

**B. BOTÓN FAN SPEED (VELOCIDAD DEL VENTILADOR)** La velocidad del ventilador se puede regular desde velocidad Low (Baja) a High (Alta) cuando el acondicionador de aire está en funcionamiento.

**NOTA:** La velocidad del ventilador no se puede regular cuando la unidad está en modo Dehum (Deshumidificar).

- Presione el botón Fan Speed (Velocidad del ventilador) para alternar entre las dos velocidades. El indicador de velocidad del ventilador correspondiente se iluminará.

### C. VENTANA DE SEÑAL DEL CONTROL REMOTO

Dirija el control remoto hacia esta ventana para que el control reciba la señal.

### D. PANTALLA DEL PANEL DE CONTROL

Muestra la temperatura fijada en grados Fahrenheit o grados centígrados, o las horas restantes de un tiempo diferido. La luz indicadora correspondiente se encenderá.

### E. BOTONES CON FLECHAS HACIA ARRIBA Y HACIA ABAJO

Ajustan la temperatura o las horas del tiempo diferido.

Para fijar la temperatura:

La temperatura puede fijarse entre 62 °F y 86 °F (17 °C y 30 °C) cuando el acondicionador de aire está en modo Cool (Enfriamiento).

1. Presione el botón Mode (Modo) hasta que se seleccione el modo Cool (Enfriamiento).

2. Presione los botones con las flechas hacia arriba o hacia abajo para seleccionar la temperatura.

**NOTA:** La temperatura no se puede fijar si el acondicionador de aire está en el modo Fan (Ventilador) o Dehum (Deshumidificar).

**NOTA:** Los botones con las flechas hacia arriba y hacia abajo, cuando se los presiona al mismo tiempo, le permiten seleccionar entre mostrar la temperatura en °C o °F. El indicador correspondiente se iluminará.

### F. BOTÓN MODE (MODO)

Presione el botón Mode (Modo) para alternar entre las opciones de operación. El indicador correspondiente se iluminará:

Heat (Calor) (en algunos modelos) - Calienta la habitación a la temperatura establecida

Cool (Enfriamiento): enfría la habitación a la temperatura jada

ECO (Ahorro de Energía) – Hace que el ventilador realice ciclos para refrigerar de forma económica.

Dehum (Deshumidificar): reduce la humedad en la habitación

Fan (Ventilador): hace circular el aire de la habitación sin enfriar

### G. BOTÓN POWER (ENCENDIDO)

ENCIENDE/APAGA el acondicionador de aire.

**NOTA:** Si apaga la unidad presionando el botón Power (Encendido), esto NO desconecta el electrodoméstico del suministro de energía.

- Presione el botón Power (Encendido). La luz indicadora de Power (Encendido) se iluminará.

### CONTROL REMOTO

1. Inserte dos pilas (provisas).
2. Dirija el control remoto hacia el receptor de señales del panel de control para hacer funcionar el acondicionador de aire.

### H. BOTÓN SLEEP (SUSPENSIÓN)

Aumenta la temperatura fijada en 2 °F (1 °C) después de 2 horas y, a continuación, aumenta la temperatura en 2 °F (1 °C) adicionales después de otras 2 horas.

**NOTA:** El ventilador funcionará a baja velocidad y no puede regularse mientras está en modo Sleep (Suspensión).

Presione el botón de Sleep (Suspensión) para ingresar al modo Sleep (Suspensión). La luz indicadora de Sleep (Suspensión) se iluminará.

Para cancelar el modo Sleep (Suspensión):

- Presione el botón Sleep (Suspensión) o el botón Mode (Modo) en el control remoto.

### I. BOTÓN °C/°F

- Presione el botón °C/°F para alternar entre la visualización de la temperatura en grados Fahrenheit y grados centígrados. El indicador correspondiente se iluminará.

# Controles

La pantalla siempre mostrará la temperatura del ambiente por omisión.

Cuando el acondicionador de aire sea encendido, se iniciará de forma automática en las configuraciones de modo y ventilación que fueron usadas por última vez.

## Modo de Refrigeración

Use el modo COOL (Refrigeración) para enfriar.

Para configurar el modo COOL (Refrigeración):

1. Presione la tecla MODE (Modo) hasta que la luz indicadora de COOL (Refrigeración) esté encendida.
2. Presione la tecla FAN (Ventilador) para configurar la velocidad del ventilador en HIGH (Alto) o LOW (Bajo).
3. Presione + o – para configurar la temperatura deseada entre 61°F y 89°F por incrementos de 1°F.

Una vez aplicadas las configuraciones, la pantalla volverá a mostrar la temperatura ambiente.

El control de temperatura se usa para mantener la temperatura del ambiente. El compresor realizará el ciclo de encendido y apagado para mantener la sala en el nivel de confort configurado. Configure el control de temperatura en un número más bajo, y el aire interior comenzará a ser más frío. Configure el control de temperatura en un número más alto, y el aire interior comenzará a ser más caliente.

**NOTA:** Si el acondicionador de aire está apagado y luego es encendido en la configuración COOL (Refrigeración), pasarán aproximadamente 3 minutos hasta que el compresor se inicie y comience la refrigeración.

### Descripciones de Refrigeración

**Para un Enfriamiento Normal**—Seleccione el modo COOL (Refrigeración) y la velocidad del ventilador en HIGH (Alto) o MEDIUM (Medio) con una temperatura en la configuración intermedia.

**Para un Enfriamiento Máximo**—Seleccione el modo COOL (Refrigeración) y la velocidad del ventilador en HIGH (Alto) con una temperatura en una configuración baja.

**Para un Enfriamiento Más Suave y Nocturno**—Seleccione el modo COOL (Refrigeración) y la velocidad del ventilador en LOW (Bajo) con una temperatura en la configuración intermedia.

**NOTA:** Si pasa de la configuración del modo COOL (Refrigeración) o DEHUM (Seco) a OFF (Apagado), espere 3 minutos antes de realizar el reinicio.

## ECO Mode (Modo de ahorro de energía)

Use el modo ECO (Ahorro de Energía) para refrigerar de forma económica.

Para configurar el Modo ECO (Ahorro de Energía):

1. Presione la tecla MODE (Modo) hasta que la luz indicadora de ECO (Ahorro de Energía) esté encendida.
2. Presione la tecla FAN (Ventilador) para configurar el ventilador en velocidad alta o baja.

3. Presione + o – para configurar la temperatura deseada entre 61°F y 89°F por incrementos de 1°F.

En el modo ECO (Ahorro de Energía), el ventilador realizará el ciclo de apagado con el compresor cuando se alcance la temperatura ambiente. Luego, el ventilador realizará un ciclo de 10 minutos de apagado / 2 minutos de encendido para evaluar la temperatura ambiente.

## Modo DEHUM (Seco) - Deshumidificación

Use el modo DEHUM (Seco) sólo para aplicar la deshumidificación. El ventilador funcionará en una velocidad fija en esta configuración, de modo que no será posible configurar la velocidad de la ventilación. Mantenga las ventanas y puertas cerradas para lograr los mejores efectos de deshumidificación.

### Para configurar el modo DEHUM (Seco):

• Presione la tecla MODE (Modo) hasta que la luz indicadora de DEHUM (Seco) esté encendida

En el modo DEHUM (Seco), no se mostrará una temperatura configurada. Una vez configurado el modo DEHUM (Seco), la pantalla volverá a mostrar la temperatura ambiente.

**NOTA:** Si pasa de una configuración de DEHUM (Seco) a OFF

(Apagado) o a una configuración del ventilador, espere por los menos 3 minutos antes de volver a pasar a una configuración de DEHUM (Seco).

Si usará la unidad en el modo DEHUM (Seco) como deshumidificador durante un período de tiempo prolongado:

1. Desenchufe el cable de corriente.
2. Conecte una manguera de drenaje (no incluida) al puerto de drenaje central (consulte la página 9, drenaje superior nº 8) y una manguera principal al drenaje del piso.
3. Vuelva a conectar el cable de corriente y presione la tecla MODE (Modo) hasta que la luz indicadora de DEHUM (Seco) esté encendida.

## Modo de Ventilación

Use el modo FAN (Ventilación) para brindar circulación de aire y filtrar sin refrigerar.

### Para configurar el modo FAN (Ventilación):

- Presione la tecla FAN (Ventilación) hasta que la luz indicadora deseada de velocidad en HIGH (Alto) o LOW (Bajo) esté encendida.

Debido a que las configuraciones de sólo ventilador no brindan

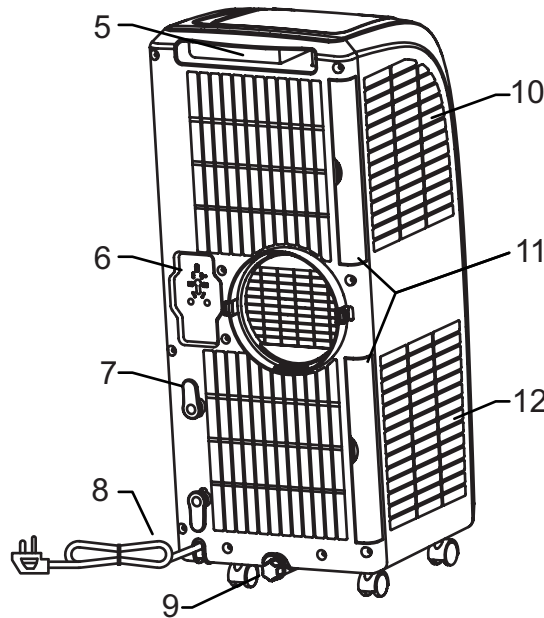
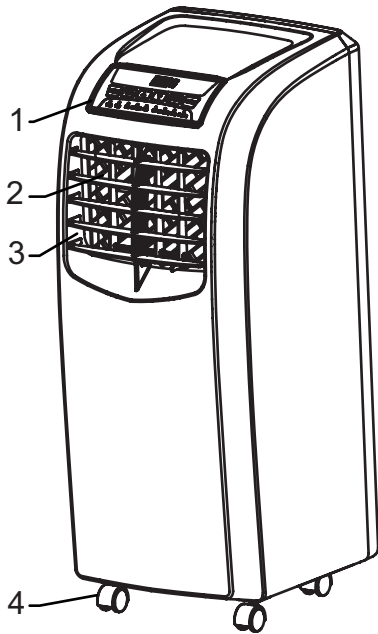
refrigeración, no será exhibida una temperatura configurada. Una vez configurada la velocidad de FAN (Ventilación), la pantalla volverá a mostrar la temperatura ambiente.

## Función de Recuperación por Corte de Suministro

En caso de corte de suministro o interrupción, la unidad se reiniciará de forma automática en las configuraciones usadas por última vez una vez restablecido el servicio.

**NOTA:** Si TIMER (Temporizador) fue configurado antes del corte de corriente, será necesario reiniciar el mismo una vez restablecido el servicio.

# Piezas Y Características



**NOTE:** Remove filters (number 11) first, in order to access filters 10 and 12.

- |   |  |
|---|--|
| 1. Panel de Control   | 7. Almacenamiento del Cable de Corriente |
| 2. Rejillas de Ventilación Verticales                       | 8. Cable de Corriente                    |
| 3. Rejillas de Ventilación Horizontales                     | 9. Manguera de Drenaje y Tapa            |
| 4. Rueditas   | 10. Filtro                               |
| 5. Manija (espacio para el control remoto del lado derecho) | 11. Filtros                              |
| 6. Almacenamiento del Enchufe                               | 12. Filtro                               |

# Requisitos De Instalación

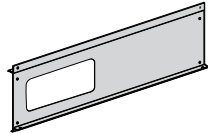
## HERRAMIENTAS Y PIEZAS

Reúna las herramientas y piezas necesarias antes de comenzar la instalación.

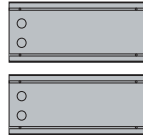
### HERRAMIENTAS NECESARIAS

- Destornillador de hoja plana
- Destornillador Phillips

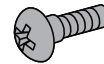
### PIEZAS SUMINISTRADAS



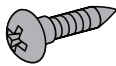
Panel principal de la ventana



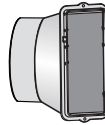
Panes de extensión (2)



Tornillos de cabeza plana (6) 4 para los paneles de la extensión 2 para las boquillas



Tornillos puntiagudos (7)  
2 para los soportes de la ventana 1 para el soporte de seguridad 4 para el ensamblaje del panel



Boquilla de escape



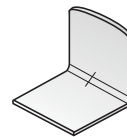
Manguera de escape



Soporte superior de la ventana (2) Usar con Ventanas de Vinilo



Soporte inferior de la ventana (2) Usar con Ventanas de Vinilo



Soporte



Sello de espuma superior (10 mm x 10 mm x 102 cm)



Sello de espuma inferior (3 mm x 10 mm x 102 cm)



Sello de relleno (15 mm x 33 mm x 1200 mm)

# Instrucciones de instalación

¿Preguntas? Llame a GE Appliances al 800.GE.CARES (800.432.2737) o visite nuestro sitio web en: [GEAppliances.com](http://GEAppliances.com).

## ANTES DE INICIAR

Lea estas instrucciones completa y cuidadosamente.

- **IMPORTANTE** — Guarde estas instrucciones para uso del inspector local.
- **IMPORTANTE** — Observe todos los códigos y órdenes de ley.
- **Nota al instalador** – Asegúrese de dejar estas instrucciones con el consumidor.
- **Nota al consumidor** – Conserve estas instrucciones para referencia futura.
- **Nivel de destreza** – La instalación de este aparato requiere de destrezas mecánicas básicas.
- **Tiempo de ejecución** – Aprox. 1 hora
- Recomendamos dos personas para la instalación de este producto.
- La instalación apropiada es la responsabilidad del instalador.
- La falla del producto debido a una instalación inadecuada no está cubierta por la garantía.
- Cuando instale este acondicionador de aire, DEBE usar todas las piezas suministradas y usar procedimientos adecuados de instalación.

## Requisitos eléctricos



Algunos modelos requieren tomacorrientes de 115/120 voltios de corriente alterna y 60 Hz conectados a tierra, protegidos con un fusible de dilatación de tiempo de 15 amperios o un cortacircuitos.

El enchufe de tres púas con conexión a tierra minimiza la posibilidad de descargas eléctricas. Si el tomacorriente de la pared que usted planea usar solamente tiene 2 tomas, es su responsabilidad hacer que un técnico lo reemplace por uno de tres tomas con conexión a tierra.

## ⚠ PRECAUCIÓN

Bajo ninguna circunstancia corte o remueva la tercera púa (conexión a tierra) del cable eléctrico.

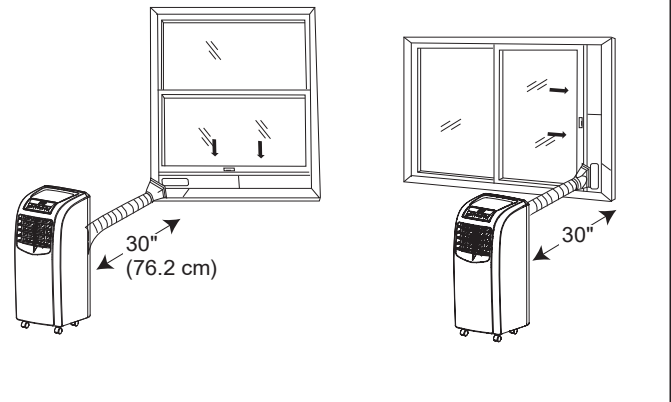
No cambie el enchufe en el cable eléctrico de este acondicionador de aire.

Los cables caseros de aluminio podrían presentar problemas especiales. Consulte a un técnico electricista calificado.

El cable de alimentación incluye un dispositivo para interrupción de corriente. Se incluye un botón de prueba y de reinicio en el dispositivo. El dispositivo debe ponerse a prueba periódicamente: primero se presiona el botón de TEST (prueba) y luego RESET (reinicio) mientras se encuentra enchufado al tomacorriente. Si el botón TEST no se dispara o si el botón RESET no queda enganchado, deje de utilizar el acondicionador de aire y comuníquese con un técnico calificado.

## Requisitos De Ubicación

- Coloque el acondicionador de aire sobre una superficie plana y nivelada en una ubicación que esté al menos a 20" (51 cm) de la pared.
- **NOTA:** La distancia recomendada de la ventana para un rendimiento óptimo es de 30" (76 cm).
- Mantenga un espacio libre mínimo de 20" (51 cm) alrededor del acondicionador de aire para no bloquear el flujo de aire.
- Mantenga el acondicionador de aire libre de obstrucciones como cortinas con pliegues, cortinas, persianas, etc.
- La manguera de escape debe estar libre de cualquier obstrucción.
- No coloque el acondicionador de aire en una superficie inestable o elevada, ya que podría caerse y provocar daños o lesiones.
- No exponga el acondicionador de aire a la luz directa del sol o cerca una fuente de calor como zócalos radiantes, estufas, etc.
- El panel de la ventana puede instalarse en una ventana con una abertura mínima de 30" (76.2 cm) hasta un máximo de 40" (101,6 cm).





# Instrucciones de instalación

## 1. Desempaque Su Acondicionador De Aire

### ⚠ ADVERTENCIA

#### Peligro de Peso Excesivo

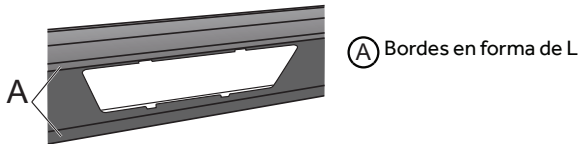
- Use dos o más personas para mover e instalar el acondicionador de aire.
- No seguir esta instrucción puede ocasionar una lesión en la espalda u otro tipo de lesiones.
- Quite los materiales de empaque. Guarde la caja y el empaque de espuma para almacenar el acondicionador de aire cuando no esté en uso.

NOTA: NO hay materiales de empaque internos dentro del acondicionador de aire para quitar. No abra el gabinete.

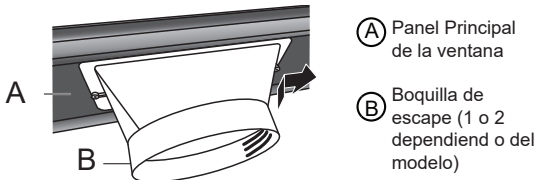
- Deshágase adecuadamente de todos los materiales de empaque o recícelos.
- Manipule el acondicionador de aire con cuidado.
- Mantenga el acondicionador de aire en posición vertical y nivelado. No coloque el acondicionador de aire de costado, sobre su parte frontal, su parte posterior o al revés.

## 2. Instalar Una Boquilla De Escape En El Panel De La Ventana Principal

1. Sostenga el panel de la ventana de manera que los bordes en forma de L de la placa queden frente a usted.

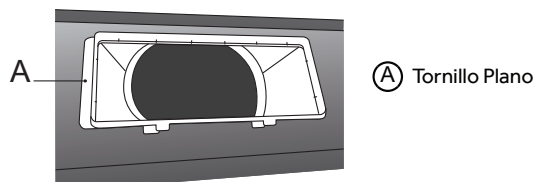


2. Alinee la boquilla de escape con las ranuras en la apertura y luego, inserte y deslice la boquilla para acceder al orificio desde la parte posterior del panel principal de la ventana.



3. Dé vuelta el panel principal de la ventana de modo que la boquilla quede lejos de usted. Inserte un tornillo plano a través del orificio para sujetar el panel de la ventana al adaptador.

NOTA: En una unidad de manguera doble, instale una boquilla más pequeña de manguera en el orificio izquierdo del panel.



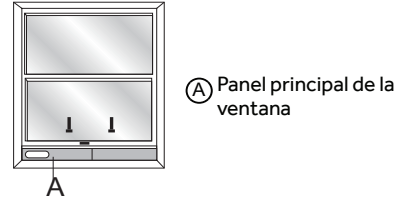
## 3. Instalar El Panel Principal De La Ventana Y Los Paneles De Extensión

NOTA: Según el tamaño de la abertura de la ventana, utilice el panel principal y uno o ambos paneles de extensión.

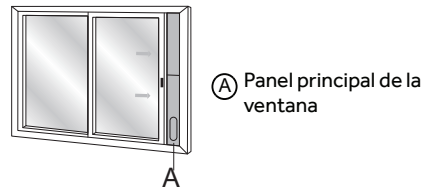
1. Abra la ventana y coloque el panel principal de la ventana en esta.

NOTA: El ensamblaje de la ventana está diseñado para alojar una ventana deslizable vertical u horizontal.

#### Ventana deslizable vertical:



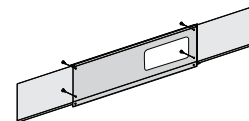
#### Ventana deslizable horizontal:



2. Regule los paneles de extensión para que encajen en el ancho o altura de la ventana, como se muestra.

NOTA: La instalación de algunas ventanas requiere que se corten los paneles de extensión.

3. Dependiendo de la cantidad de paneles de ampliación usados, utilice dos o cuatro tornillos con cabeza plana para ajustar el panel(es) de extensión en el panel principal. Realice la instalación desde la parte trasera.

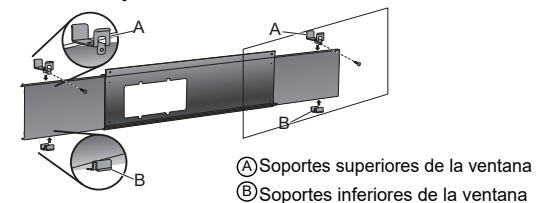


NOTA: Actualmente existen numerosos tipos de ventanas en el mercado. Use las tiras de espuma y los soportes (incluidos) para colocar firmemente los paneles de extensión y rellenar las aberturas de la ventana.

4. Para ventanas de vinilo únicamente. Diríjase al paso 6 si se usarán ventanas de madera.

Con cuatro tornillos puntiagudos, sujete el panel principal de la ventana a la repisa y el marco de la ventana.

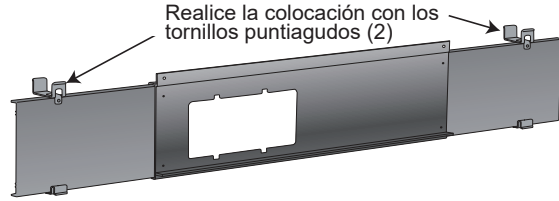
Antes del montaje : **USO CON VINILO ÚNICAMENTE**



# Instrucciones de instalación

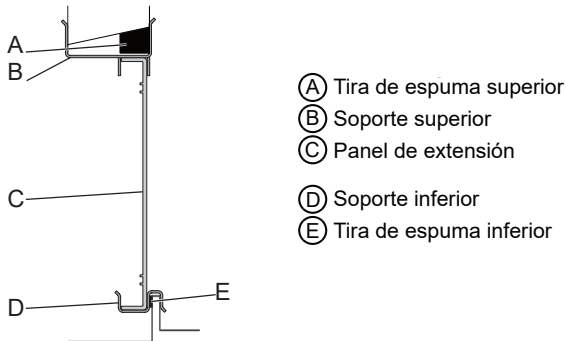
## 3. Instalar El Panel Principal De La Ventana Y Los Paneles De Extensión (cont.)

Después de la asamblea

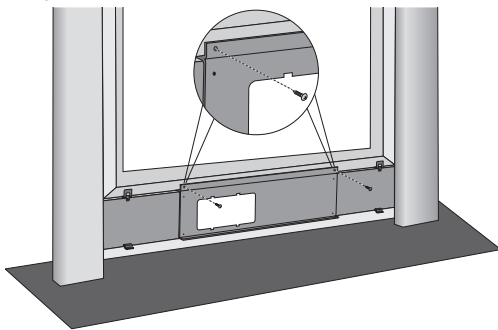


5. Coloque la tira de espuma superior (incluida) a lo largo de la parte superior del ensamblaje del panel de la ventana y la tira de espuma inferior (incluida) a lo largo de borde frontal posterior del ensamblaje del panel de la ventana, tal como se muestra.

### INSTALACIÓN TÍPICA EN VENTANA DE VINOLO:

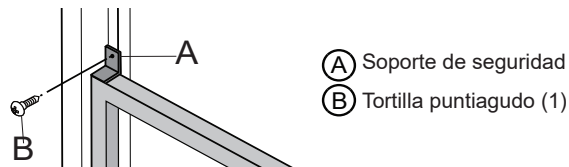


6. Coloque el ensamblaje del panel de la ventana en esta y con los tornillos provistos, sujete el ensamblaje a la repisa y el marco de la ventana.



7. Con un tornillo puntiagudo, instale el soporte de seguridad a la ventana.

**NOTA:** El soporte de seguridad evita que la ventana se abra desde el exterior.

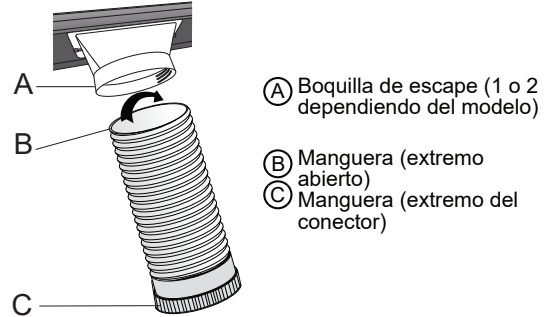


## 4. Sujete La Manguera De Escape A La Boquilla De Escape

1. Sujete ambos extremos de la manguera de escape y tire suavemente para extender la manguera.

**NOTA:** No conecte mangueras adicionales para prolongar la longitud. Esto disminuiría la eficiencia de enfriamiento y podría dañar el acondicionador de aire.

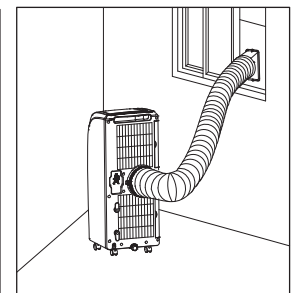
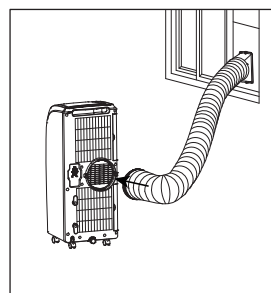
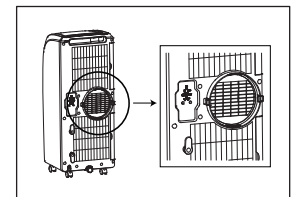
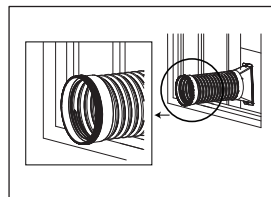
2. Con un movimiento en sentido contrario a las agujas del reloj, coloque el extremo abierto de la manguera de escape en la boquilla de escape.



## 5. Paso 5 - Conecte La Manguera De Escape Para El Acondicionador De Air

**IMPORTANTE:** Al conectar la manguera, el acondicionador de aire debe estar lo suficientemente cerca de la ventana que no vas a desalojar a la placa de sello de la ventana. Una vez que la manguera está conectada, mueva el acondicionador de aire 20" (51 cm) de la pared.

1. Extienda la manguera flexible del extractor para llegar hasta la unidad.
2. Apunte la abertura de la manguera hacia la salida del extractor y presione con fuerza hacia la salida hasta que haga clic.



## 6. Complete La Instalación

### **⚠ ADVERTENCIA**

#### **Peligro de Choque Eléctrico:**

- Conecte a un contacto de pared de conexión a tierra de 3 terminales.
  - No quite el terminal de conexión a tierra del cable de alimentación.
  - No use un adaptador.
  - No use un cable eléctrico de extensión.
  - No seguir estas instrucciones puede ocasionar la muerte, incendio o choque eléctrico.
1. Conecte el cable eléctrico a un toma corriente de 3 terminales con conexión a tierra.
  2. Presione el botón Reset (Restablecer) en el cable eléctrico para asegurar que el tapón de seguridad está proporcionando energía al acondicionador de aire.

## Uso Del Acondicionador De Aire

**IMPORTANTE:** Si el acondicionador de aire se ha inclinado hacia un lado, espere 24 horas antes de encender el acondicionador de aire a fin de permitir que el aceite vuelva al compresor. Esto evitará que el acondicionador de aire falle antes de tiempo.

- Deje 30" (76.2 cm) de espacio alrededor de la unidad para permitir una circulación adecuada de aire.
- No haga funcionar el acondicionador de aire si los ltrros de aire no están colocados en su lugar.
- No derrame líquido en el panel de control; puede causar un cortocircuito a las piezas electrónicas del interior que lo desactivaría o haría que funcione incorrectamente.
- Al encender el acondicionador de aire por primera vez después de conectarlo a un toma corriente eléctrico, la unidad comenzará a funcionar en el modo Cooling (Enfriamiento) fijado en 75 °F (24 °C), y a la velocidad

alta del ventilador. El panel de control mostrará la temperatura actual de la habitación.

- Al encender la unidad después de un uso anterior, recordará los últimos ajustes utilizados.
- Después de un apagado normal, espere 3 minutos antes de volver a poner en marcha la unidad.
- En el modo de enfriamiento, esta unidad no deberá requerir que se elimine el agua. Este modelo cuenta con un diseño único que evapora continuamente el agua.
- Cuando la unidad funciona en condiciones de alta humedad, es posible que usted tenga que vaciar periódicamente el tanque de agua.
- La unidad se apagará automáticamente cuando el tanque de agua esté lleno. El indicador Water Full (Máximo nivel de agua) se iluminará para avisarle acerca de esta condición.

## Cuidado Del Acondicionador De Aire

### ⚠ ADVERTENCIA

**Peligro de choque eléctrico:**

- Desconecte el suministro de energía antes de limpiarlo.
- No seguir esta instrucción puede ocasionar la muerte o choque eléctrico..

### Limpieza

1. Desenchufe o desconecte el suministro de energía.
2. Utilice solamente un paño suave humedecido con agua para limpiar el gabinete.

**NOTA:** No utilice un limpiador líquido o con rociador para limpiar el acondicionador de aire.

**NOTA:** NO utilice productos químicos, abrasivos, amoníaco, blanqueador con cloro, detergentes concentrados, solventes o estropajos de metal. Algunos de estos artículos/productos químicos pueden dañar y/o decolorar su acondicionador de aire.

3. Seque bien con un paño suave.
4. Enchufe o vuelva a conectar el suministro de energía.

### Filtros De Aire

Los filtros de aire deben limpiarse al menos una vez a la semana para que la unidad funcione con óptima eficacia.

**IMPORTANTE:** No haga funcionar el acondicionador de aire si los filtros de aire no están colocados en su lugar.

1. Desenchufe o desconecte el suministro de energía.
2. Jale de las lengüetas para deslizar los filtros de la parte posterior del acondicionador de aire.

**NOTA:** Los filtros secundarios son accesibles una vez que se quitan los filtros principales.

3. Lave o aspire el polvo de los filtros de aire.

**NOTA:** Si se lavan, agite suavemente el filtro para eliminar el exceso de agua y las partículas de polvo atrapadas en el filtro.

4. Vuelva a instalar los filtros.
5. Enchufe o vuelva a conectar el suministro de energía.

### Tanque De Agua Interno

El indicador Water Full (Máximo nivel de agua) se ilumina cuando el tanque de agua interno se llena de agua condensada.

Para vaciar el tanque de agua interno:

1. Desenchufe o desconecte el suministro de energía.
2. Coloque una bandeja profunda grande o de 1 cuarto de galón (no incluida) debajo del desagüe inferior situado en la parte posterior (cerca de la base) del acondicionador de aire.
3. Quite la tapa y el tapón de goma, y desagüe el tanque de agua.
4. Vuelva a colocar el tapón de desagüe y enrosque la tapa para que firme en su lugar.
5. Enchufe o vuelva a conectar el suministro de energía.

### Almacenamiento

Si la unidad no se utiliza durante un período prolongado de tiempo:

1. Desenchufe o desconecte el suministro de energía.
2. Desagüe el agua del tanque de agua. Vea "Cuidado del acondicionador de aire".
3. Utilice el empaque original para volver a empacar la unidad y evitar acumulación de polvo o suciedad.
4. Guarde el acondicionador de aire en un lugar fresco y seco.

# Solucionar problemas

Problema	Causas posibles	Qué hacer
La unidad no se pone en marcha ni funciona	El cable de suministro de energía no está enchufado en un toma corriente.	Conecte el cable eléctrico a un toma corriente de 3 terminales con conexión a tierra.
	El cable de suministro de energía se ha disparado.	Presione y libere RESET (Restablecer) en el cable de suministro de energía.
	El botón Power (Encendido) no se ha presionado.	Presione el botón Power (Encendido) en el panel de control o el control remoto para ENCENDER el acondicionador de aire.
	El toma corriente eléctrico no recibe suministro eléctrico.	Enchufe una lámpara de trabajo en el toma corriente para verificar si hay energía.
	Se ha fundido un fusible de la casa o se ha disparado un cortacircuitos.	Reemplace el fusible o reposicione el cortacircuitos.
	El control fue programado para un tiempo diferido.	Cancele el tiempo diferido. Vea "Panel de control".
	Las pilas del control remoto están agotadas.	Reemplace las pilas.
	El tanque de agua interno está lleno. NOTA: El acondicionador de aire se apaga automáticamente y el indicador Water Full (Máximo nivel de agua) se ilumina para avisarle de este estado.	Vacíe el tanque de agua. Vea "Cuidado del acondicionador de aire".
El control remoto no funciona	Las pilas están agotadas.	Reemplace las pilas.
	Las pilas están insertadas de forma incorrecta.	Asegúrese de que las pilas se inserten en la posición correcta.
El acondicionador de aire está funcionando, pero la habitación no se enfría.	La temperatura de la habitación está caliente. NOTA: En días muy calurosos y húmedos, el acondicionador de aire necesitará más tiempo para enfriar la habitación.	Dé tiempo para que la habitación se enfríe cuando enciende la unidad por primera vez. Asegúrese de que el acondicionador de aire tenga una categoría de BTU (Unidad Térmica Británica) adecuada para el tamaño de la habitación que desea enfriar.
	El control se ha fijado incorrectamente en modo Fan (Ventilador) o Dry (Seco).	Fije el modo Cool (Enfriamiento) y la velocidad del ventilador en High (Alta).
	El flujo de aire ha disminuido.	Quite los obstáculos que bloquean el flujo de aire y redirija el flujo de aire para lograr un enfriamiento uniforme.
	La temperatura está fijada demasiado alta.	Baje la temperatura fijada.
	Los filtros de aire están sucios u obstruidos.	Limpie el filtro de aire. Vea "Cuidado del acondicionador de aire".
	El acondicionador de aire se ha instalado incorrectamente.	Verifique que la manguera de escape y el panel de la ventana estén correctamente instalados.
	Las puertas y las ventanas están abiertas.	Cierre las puertas y las ventanas de la habitación que desea enfriar para evitar que el aire enfriado se escape.



# Garantía de su acondicionador de aire—garantía limitada de un año.

Abroche su recibo aquí. Para acceder al servicio técnico de acuerdo con la garantía deberá contar con la prueba de la fecha original de compra.

Por el Período de:	Reemplazaremos:
Un Año Desde la fecha de la compra original	<b>Reemplazo, reparación o reembolso</b> del costo minorista original de cualquier producto que falle debido a un defecto en los materiales o la fabricación. Si la unidad es cambiada, la unidad de reemplazo posee garantía por el resto del período de la garantía original de un año sobre su producto. GE Appliances reemplazará, a su exclusivo criterio, el producto por otro de la misma o de una funcionalidad y calidad comparable o hará un reembolso por el precio minorista original.

## A Fin de Realizar una Reclamo sobre la Garantía Durante los Primeros 90 Días desde la Fecha Original de Compra:

- **Embale la unidad correctamente. Le recomendamos usar la caja de cartón y los materiales de embalaje originales.**
- **Entregue el producto en la ubicación del vendedor minorista donde fue adquirido.**
- **Incluya en el paquete una copia del receptor de la venta u otro comprobante de la fecha de compra original. También escriba su nombre y domicilio y una descripción del defecto.**

## A Fin de Realizar un Reclamo sobre la Garantía Durante el Resto de la Garantía de un Año:

- **Ubique su recibo de venta original y haga una nota de su modelo y número de serie.**
- **Llame al 800.GE.CARES (800.432.2737) (en Estados Unidos) para iniciar el proceso de reemplazo del producto.**
- **Se solicitará su nombre, domicilio, fecha de compra, y números de modelo y serie.**
- **GE Appliances hará arreglos para que se envíe una caja de cartón a su hogar para recuperar el producto.**
- **Por favor entregue todos los materiales solicitados (envío postal prepago) en la caja de cartón provista. Por favor incluya una descripción del defecto.**
- **Debería recibir el producto de reemplazo o un reembolso entre los 7 y 10 días hábiles una vez que hayamos recibido su paquete.**

## Qué No Será Cubierto:

- **Instrucción al cliente. Este manual del propietario brinda información relacionada con instrucciones de funcionamiento y controles del usuario.**
- **Instalación inadecuada. Si tiene un problema de instalación o el acondicionador de aire no posee la capacidad adecuada, contacte a su vendedor minorista o instalador. Usted es responsable de brindar instalaciones de conexión eléctrica adecuadas.**
- **Falla del producto como resultado de modificaciones sobre el mismo o debido a un uso irrazonable, incluyendo la falta de mantenimiento razonable o necesario.**
- **Reemplazo de fusibles del hogar o reinicio de disyuntores.**
- **Fallas como consecuencia de corrosión en modelos sin protección contra ésta.**
- **Daños ocasionados sobre el producto por nivel de suministro de voltaje inadecuado, accidente, incendio, inundaciones o catástrofes naturales.**
- **Daños consecuentes o incidentales causados por posibles defectos del acondicionador de aire.**
- **Daño causado después de la entrega.**

**EXCLUSIÓN DE GARANTÍAS IMPLÍCITAS**—Su única y exclusiva alternativa es la reparación del producto, como se indica en la Garantía Limitada. Las garantías implícitas, incluyendo garantías implícitas de comerciabilidad o conveniencia sobre un propósito particular, se limitan a un año o al período más corto permitido por la ley.

Para Clientes de EE.UU: Esta garantía limitada se extiende al comprador original y a cualquier dueño subsiguiente de productos comprados para uso hogareño dentro de EE.UU. Si el producto está en un área donde no se encuentra disponible un Proveedor Autorizado del Servicio Técnico de GE Appliances, usted será responsable por el costo de un viaje o se podrá requerir que traiga el producto a una ubicación del Servicio Técnico de GE Appliances Autorizado para recibir el servicio. En Alaska, la garantía limitada excluye el costo de envío o llamadas del servicio técnico a su hogar.

Algunos estados no permiten la exclusión o limitación de daños fortuitos o consecuentes. Esta garantía limitada le da derechos legales específicos y es posible que tenga otros derechos legales que varían entre un estado y otro. Para conocer cuáles son sus derechos legales, consulte a la oficina de asuntos del consumidor local o estatal o al Fiscal de su estado.

Garante en EE.UU:  
GE Appliances, a Haier company  
Louisville, KY 40225

Abroche su recibo aquí. Para acceder al servicio técnico de acuerdo con la garantía deberá contar con la prueba de la fecha original de compra.

# Soporte al Cliente

---

## GE Appliances Sitio Web

¿Desea realizar una consulta o necesita ayuda con su electrodoméstico? ¡Intente a través del Sitio Web de Electrodomésticos de GE Appliances las 24 horas del día, cualquier día del año! Usted también puede comprar más grandiosos productos de GE Appliances y sacar ventaja de todos nuestros servicios a través de Internet diseñados para su conveniencia.  
En EE.UU.: [GEAppliances.com](http://GEAppliances.com)

---

## Registre su Electrodoméstico

¡Registre su electrodoméstico nuevo a través de Internet, según su conveniencia! Un registro puntual de su producto permitirá una mejor comunicación y un servicio más puntual de acuerdo con los términos de su garantía, en caso de surgir la necesidad. También puede enviar una carta en la tarjeta de inscripción pre-impresa que se incluye con el material embalado.  
En EE.UU.: [GEAppliances.com/register](http://GEAppliances.com/register)

---

## Servicio Programado

El servicio de reparación de expertos de GE Appliances está a sólo un paso de su puerta. ¡Conéctese a través de Internet y programe su servicio a su conveniencia cualquier día del año! En EE.UU.: [GEAppliances.com/service](http://GEAppliances.com/service) o llame al 800.432.2737 durante el horario comercial habitual.

---

## Garantías Extendidas

Adquiera una garantía extendida de GE Appliances y aprenda sobre descuentos especiales que están disponibles mientras su garantía aún está vigente. La puede adquirir en cualquier momento a través de Internet. Los Servicios de GE Appliances aún estarán allí cuando su garantía caduque. En EE.UU.: [GEAppliances.com/extended-warranty](http://GEAppliances.com/extended-warranty) o llame al 800.626.2224 durante el horario comercial habitual.

---

## Conectividad Remota

Para solicitar asistencia con la conectividad de red inalámbrica (para modelos con activación remota), visite nuestro sitio Web en [GEAppliances.com/connect](http://GEAppliances.com/connect) o llame al 800.220.6899 en EE.UU.

---

## Piezas y Accesorios

Individuos calificados para realizar el servicio técnico de sus propios electrodomésticos podrán solicitar el envío de piezas o accesorios directamente a sus hogares (se aceptan las tarjetas VISA, MasterCard y Discover). Ordene a través de Internet hoy durante las 24 horas del día. En EE.UU.: [GEApplianceparts.com](http://GEApplianceparts.com) o por teléfono al 877.959.8688 durante el horario comercial habitual.

**Las instrucciones que figuran en este manual cubren los procedimientos que serán realizados por cualquier usuario. Otros servicios técnicos generalmente deberían ser derivados a personal calificado del servicio. Se deberá tener cuidado, ya que una reparación indebida podrá ocasionar que el funcionamiento no sea seguro.**

---

## Contáctenos

Si no se encuentra satisfecho con el servicio que recibió de GE Appliances, comuníquese con nosotros a través de nuestro sitio Web con todos los detalles, incluyendo su número telefónico, o escriba a:

En EE.UU.: General Manager, Customer Relations | GE Appliances, Appliance Park | Louisville, KY 40225  
[GEAppliances.com/contact](http://GEAppliances.com/contact)