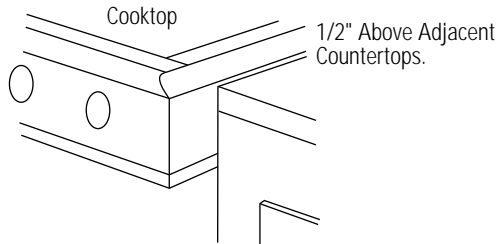




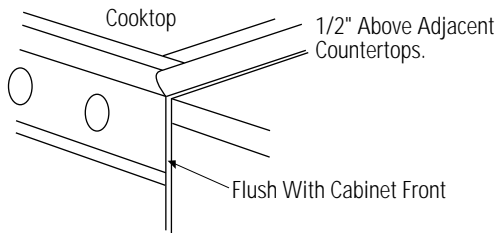
Monogram™

ZGU48N4GWSS—48" Professional Gas Cooktop

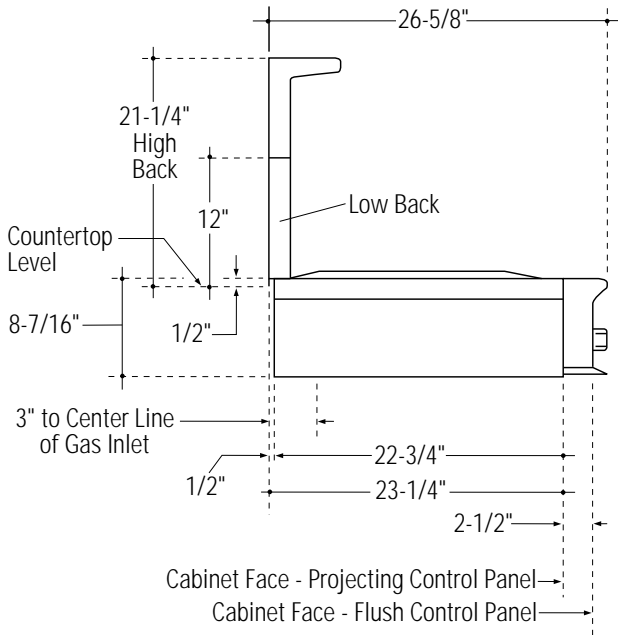
Dimensions and Specifications (in inches)



Front Projects Outward as Shown From Standard Depth Cabinets.



Front Flush With Cabinets - a Minimum of 25-3/4" Cabinet Depth Required



This cooktop is factory set for natural gas and has 4 gas burners, a grill and griddle.

Liquid Propane Gas Model Also Available:

ZGU48L4GWSS—4 gas burners, grill and griddle.

Installation Options:

This cooktop can be installed in standard 24" or deeper 25" cabinets.

- In 24" deep cabinets, the front of the cooktop will project approximately 1-7/8" beyond the front of the countertop.
- In 25" deep cabinets, the cooktop will be flush with the front of the countertop
- The stainless surface of the cooktop will be 1/2" higher than adjacent countertop.

Accessory Requirements:

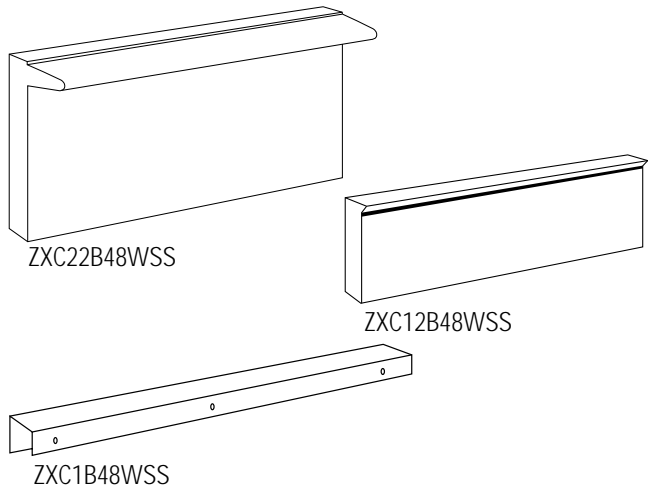
All models **require** the installation of a backguard. A backguard should be ordered at the same time as the cooktop. Both should be on site before cabinetry has been installed.

Order one backguard:

ZXC1B48WSS—1-1/2" high backguard (required for island installations)

ZXC12B48WSS—12" high backguard

ZXC22B48WSS—22" high backguard with warming shelf (2 piece)



For answers to your Monogram®, GE Profile™, GE, Hotpoint and RCA appliance questions, call GE Answer Center® service, 800.626.2000.



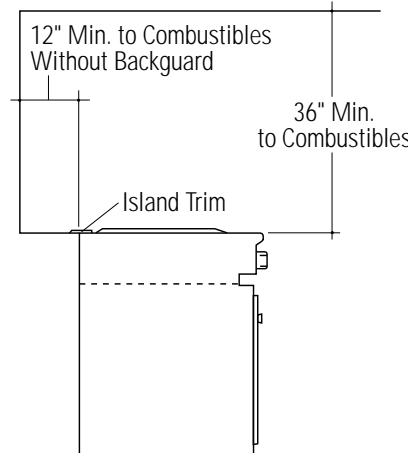
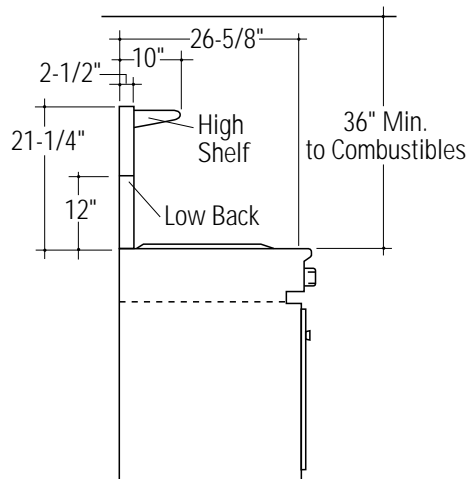
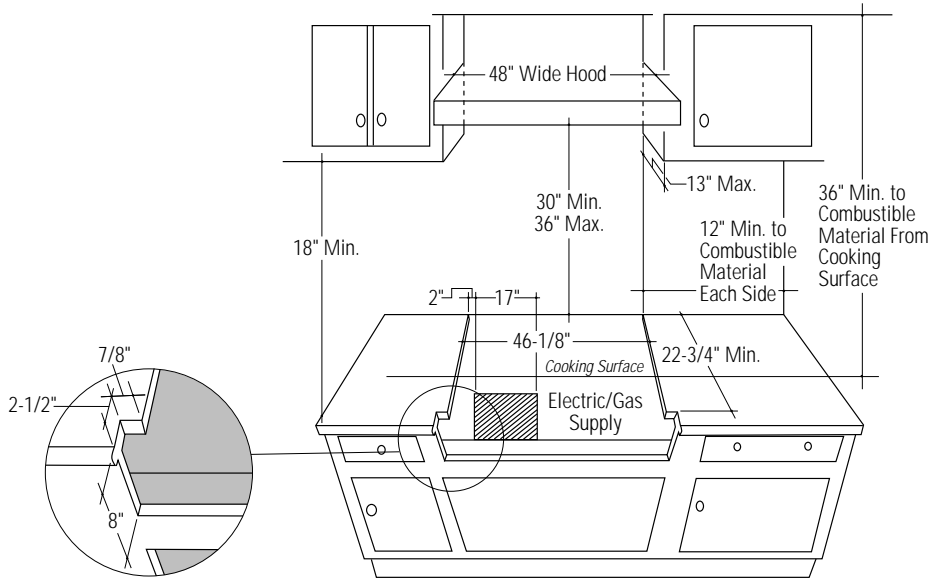
Listed by Underwriters Laboratories



Monogram™

ZGU48N4GWSS—48" Professional Gas Cooktop

Dimensions and Specifications (in inches)



Advance Planning:

Refer to dimensional drawings for appropriate placement and necessary clearances when planning the installation.

- Cabinetry cannot be installed directly above the cooktop.
- This cooktop requires the installation of a vent hood, 30" to 36" above the surface.
 - The vent hood must be at least 24" deep.
 - The vent hood must be the same width as the cooktop.
 - The vent hood blower should provide at least 800 CFM and up to 1200 CFM.
 - Choose a vent hood with 800CFM for best performance when operating the grill
- Working areas adjacent to the range should have 18" minimum clearance between countertop and cabinet bottom.
- Clearance between cooktop and side wall or combustible material must be at least 12" on each side.
- This cooktop requires 8" free space below the countertop.
- If the cooktop is installed in an island:
 - Allow 12" min. clearance at the back to combustible materials.
 - Allow 36" min. above the cooking surface to combustible materials.
- Installation must conform with local codes. In the absence of local codes, the gas cooktop must comply with the National Fuel Gas Code, ANSI Z223.1, latest edition.

A.G.A. approved

For answers to your Monogram®, GE Profile™, GE, Hotpoint and RCA appliance questions, call GE Answer Center® service, 800.626.2000.



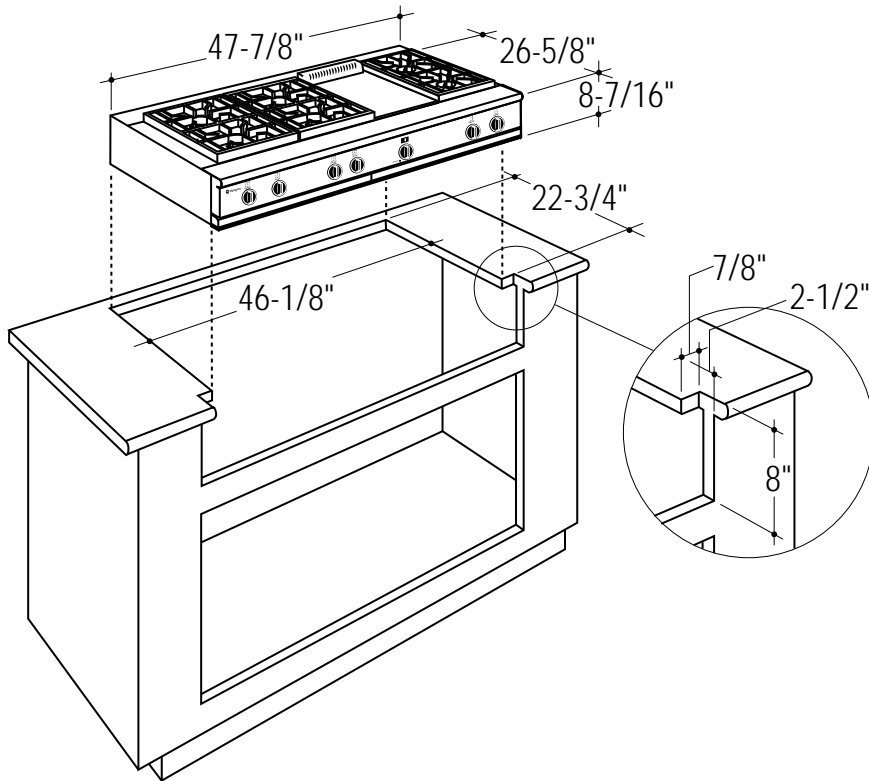
Listed by
Underwriters
Laboratories



Monogram™

ZGU48N4GWSS—48" Professional Gas Cooktop

Dimensions and Specifications (in inches)



Cutting the Countertop Opening:

Measure carefully when cutting the countertop. Make sure sides of the opening are parallel.

- This Monogram™ gas cooktop is designed to fit in 48" or larger base cabinet.

- This cooktop requires 8" free space below the countertop.

- The cooktop is designed to hang from the countertop from its side flanges.

The countertop must be strong enough to support the weight of the cooktop.

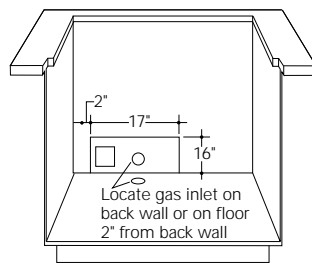
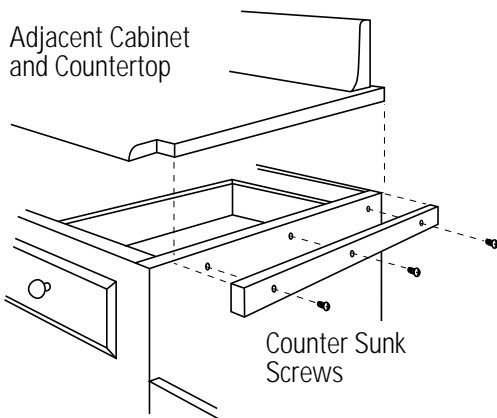
- Smooth any rough edges on the countertop before installing.
–Formica countertop edges must be finished.

- Support cleats can be secured to cabinet sides **OR** build a support deck or box inside the cabinet which will support the weight of the cooktop.

- Build the support box using a solid material, cut a 5" x 5" square in the left rear corner for the gas inlet and power cord clearances.

Installation Information:

Before installing, consult installation instructions (Pub. No. 49-8812) packed with product for current dimensional data.



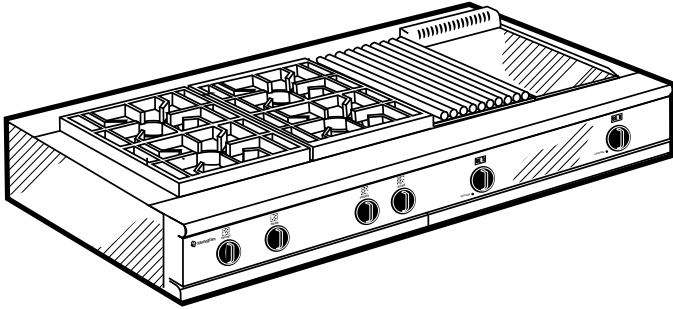
For answers to your Monogram®, GE Profile™, GE, Hotpoint and RCA appliance questions, call GE Answer Center® service, 800.626.2000.





Monogram™

ZGU48N4GWSS—48" Professional Gas Cooktop



Features and Benefits

- Stainless Steel Model
- Natural Gas
- 48" Gas Cooktop
- Four (15,000/500 BTU) Dual-Ring Gas Burners
- 18,000 BTU Grill and 18,000 BTU Thermostatically-Controlled Griddle
- Cast-Iron, Porcelainized Burner Grates
- Stainless Steel, Slide-Out Drip Trays
- Electronic Ignition with Automatic Re-Ignition
- Commercial-Style Controls
- 2 Stainless Steel Grill/Griddle Covers
- Model ZGU48N4GWSS—Natural Gas
- Model ZGU48L4GWSS—Liquid Propane Gas