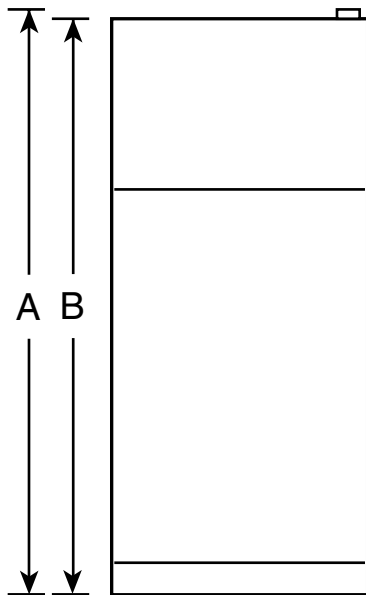


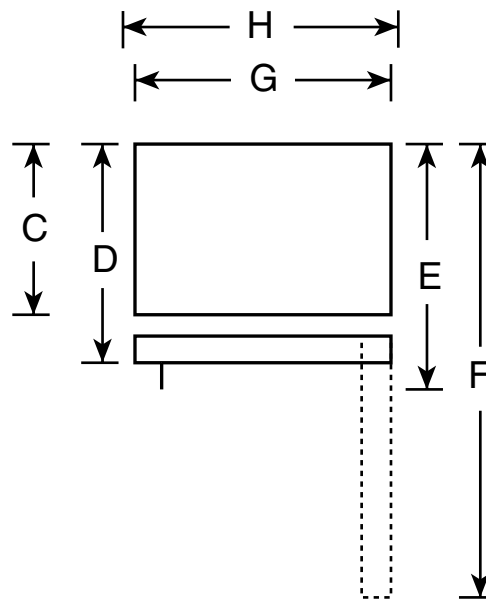
HOTPOINT®

HTN17BBC – Hotpoint® ENERGY STAR® 16.6 Cu. Ft. Top-Freezer Refrigerator

Front View



Top View



| | | |
|--------------------|--|---------------|
| Overall Dimensions | Height to top of hinge (in.) A | 64-3/4 |
| | Height to top of case (in.) B | 64-1/4 |
| | Height to mid-freezer (in.) | 54-3/8 |
| | Case depth without door (in.) C | 25-7/8 |
| | Case depth less door handle (in.) D | 29-1/8 |
| | Case depth with door handle (in.) E | 29-1/8 |
| | Depth with fresh food door open 90° (in.) F | 54-7/8 |
| | Width (in.) G | 28 |
| Air Clearances | Width with door open 90° with door handle (in.) H | 28-5/8 |
| | Each side (in.) | 3/4 |
| | Top (in.) | 1 |
| | Back (in.) | 2 |

Note: Before installing, consult installation instructions packed with product for current dimensional data.

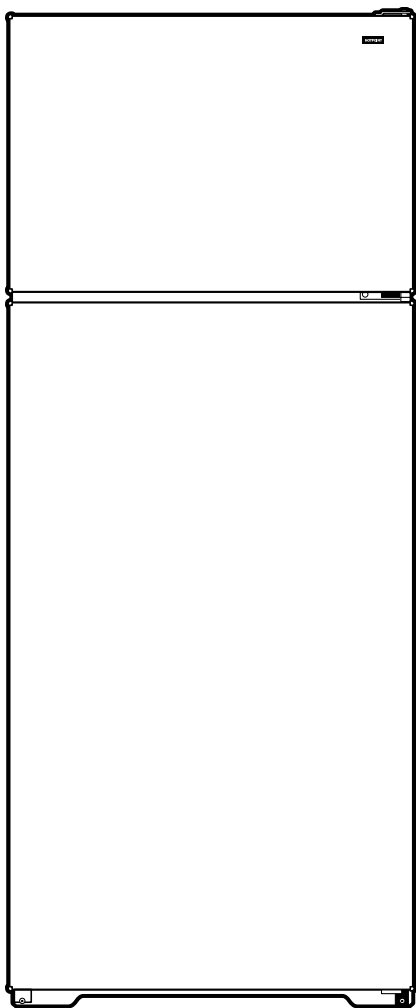
Note: All Top-Freezer No-Frost Right-Hand Refrigerator Doors: As you face the front of the refrigerator, the handle is on your left and the hinges are on your right.

All Top-Freezer No-Frost Left-Hand Refrigerator Doors: As you face the front of the refrigerator, the handle is on your right and the hinges are on your left.





HTN17BBC – Hotpoint® ENERGY STAR® 16.6 Cu. Ft. Top-Freezer Refrigerator



Features and Benefits

- Upfront temperature controls - Easy-to-use controls are located in an easy-to-reach position
- Recessed handles - Recessed handles make opening and closing the doors simple
- Adjustable wire shelves - Flexible shelving options can be arranged to handle a variety of foods
- Fixed gallon door shelves - Provides the ideal space for storing gallon containers in the door
- Crisper drawers - Provides the ideal environment for storing your fruits and vegetables
- Equipped for optional icemaker - Decide whether you want the convenience of an automatic icemaker
- Deluxe quiet design - Designed to reduce unnecessary sounds in the kitchen
- NeverClean™ condenser - Encased coils take the dirty work out of maintaining your refrigerator
- Model HTN17BBCWW – White on white
- Model HTN17BBCCC – Bisque on bisque

Specification Created 4/11
410479



As an ENERGY STAR® partner, GE has determined that this product meets the ENERGY STAR guidelines for energy efficiency.