



# Room Air Conditioners

*Safety Instructions* .....2, 3

*Operating Instructions*

Control knob models .....6, 7

Touch pad models .....4, 5

*Care and Cleaning*

Air Filter .....8

Front Grille and Case .....8

Outdoor Coils .....8

*Installation Instructions* ...9-13

*Troubleshooting Tips* .....14

Normal Operating Sounds ...15

*Consumer Support*

Consumer Support .....18

Warranty .....17

**Owner's Manual and  
Installation Instructions**

AGR05

AGT05

AGW05

**Write the model and serial numbers here:**

**Model #** \_\_\_\_\_

**Serial #** \_\_\_\_\_

Find these numbers on a label on the side of the air conditioner.



# IMPORTANT SAFETY INFORMATION. READ ALL INSTRUCTIONS BEFORE USING.

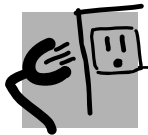
## **⚠ WARNING!**

For your safety, the information in this manual must be followed to minimize the risk of fire, electric shock or personal injury.



## SAFETY PRECAUTIONS

- Use this appliance only for its intended purpose as described in this Owner's Manual.
- This air conditioner must be properly installed in accordance with the Installation Instructions before it is used.
- Never unplug your air conditioner by pulling on the power cord. Always grip plug firmly and pull straight out from the receptacle.
- Replace immediately all electric service cords that have become frayed or otherwise damaged. Do not use a cord that shows cracks or abrasion damage along its length or at either the plug or connector end.
- Turn the mode control to **OFF** and unplug your air conditioner before cleaning.
- GE does not support any servicing of the air conditioner. We strongly recommend that you do not attempt to service the air conditioner yourself.
- For your safety...do not store or use combustible materials, gasoline or other flammable vapors or liquids in the vicinity of this or any other appliance.
- All air conditioners contain refrigerants, which under federal law must be removed prior to product disposal. If you are getting rid of an old product with refrigerants, check with the company handling disposal about what to do.



## HOW TO CONNECT ELECTRICITY

*Do not, under any circumstances, cut or remove the third (ground) prong from the power cord. For personal safety, this appliance must be properly grounded.*

The power cord of this appliance is equipped with a 3-prong (grounding) plug which mates with a standard 3-prong (grounding) wall outlet to minimize the possibility of electric shock hazard from this appliance.

Power cord may include a current interrupter device. A test and reset button is provided on the plug case. The device should be tested on a periodic basis by first pressing the **TEST** button and then the **RESET** button. If the **TEST** button does not trip or if the **RESET** button will not stay engaged, discontinue use of the air conditioner and contact a qualified service technician.

Have the wall outlet and circuit checked by a qualified electrician to make sure the outlet is properly grounded.

Where a 2-prong wall outlet is encountered, it is your personal responsibility and obligation to have it replaced with a properly grounded 3-prong wall outlet.

The air conditioner should always be plugged into its own individual electrical outlet which has a voltage rating that matches the rating plate.

This provides the best performance and also prevents overloading house wiring circuits which could cause a fire hazard from overheated wires.

See the Installation Instructions, *Electrical Requirements* section for specific electrical connection requirements.

**⚠ WARNING!****USE OF EXTENSION CORDS—115-Volt models only**

*Because of potential safety hazards under certain conditions, we strongly recommend against the use of an extension cord.*

However, if you must use an extension cord, it is absolutely necessary that it be a UL-listed, 14 gauge, 3-wire grounding type appliance extension cord having a grounding type plug and outlet and that the electrical rating of the cord be 15 amperes (minimum) and 125 volts.

**⚠ CAUTION:**

**DO NOT use an extension cord with any of the 230/208 volt models.**

**USE OF ADAPTER PLUGS—115-Volt models only**

*Because of potential safety hazards under certain conditions, we strongly recommend against the use of an adapter plug.*

However, if you must use an adapter, where local codes permit, a **temporary connection** may be made to a properly grounded 2-prong wall outlet by use of a UL-listed adapter available at most local hardware stores.

The larger slot in the adapter must be aligned with the larger slot in the wall outlet to provide proper polarity in the connection of the power cord.

When disconnecting the power cord from the adapter, always hold the adapter in place with one hand while pulling the power cord plug with the other hand. If this is not done, the adapter ground terminal is very likely to break with repeated use.

If the adapter ground terminal breaks, **DO NOT USE** the air conditioner until a proper ground has been established.

*Attaching the adapter ground terminal to a wall outlet cover screw does not ground the appliance unless the cover screw is metal, and not insulated, and the wall outlet is grounded through the house wiring. You should have the circuit checked by a qualified electrician to make sure the outlet is properly grounded.*

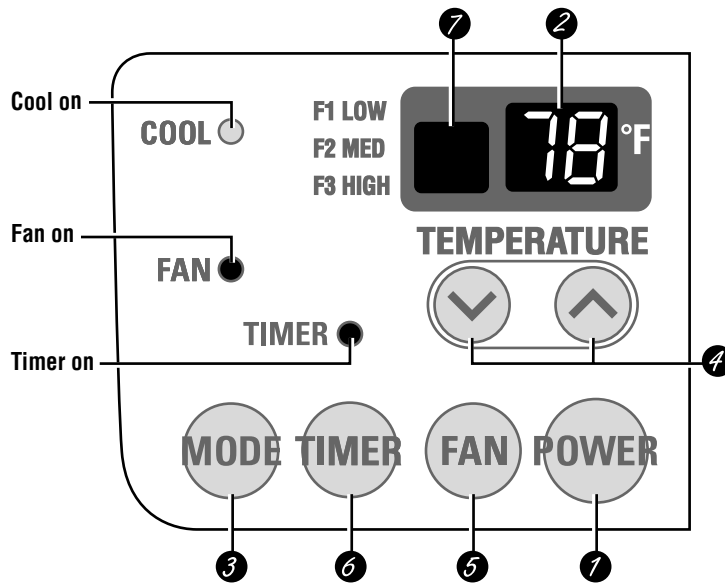


**READ AND FOLLOW THIS SAFETY INFORMATION CAREFULLY.**

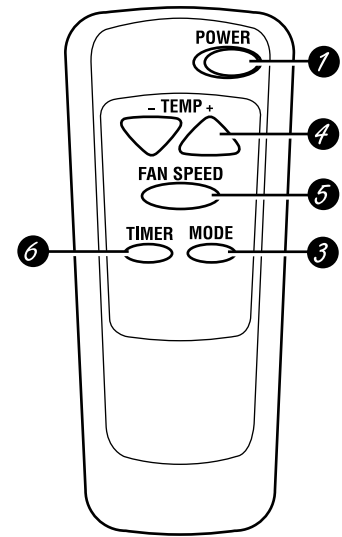
**SAVE THESE INSTRUCTIONS**

## About the controls on the air conditioner—models with touch pads.

Features and appearance will vary.



**Air Conditioner Controls**



**Remote Control**



### Controls

- 1 ON/OFF Pad**  
Turns air conditioner on and off.
- 2 Display**  
Shows the set temperature or time remaining on timer.
- 3 MODE**  
Use to set the air conditioner to **COOL** or **FAN** mode.
- 4 Increase ▲ /Decrease ▼ Pads**  
Use to set temperature when in **COOL** mode.
- 5 FAN Pad**  
Use to set the fan speed to **LOW (F1)**, **MED (F2)** or **HIGH (F3)**.
- 6 TIMER Pad**  
**ON**—When the air conditioner is off, it can be set to automatically come on in 1 to 12 hours at its previous setting. Each touch will set the timer in hours.  
**OFF**—When the air conditioner is on, it can be set to automatically turn off in 1 to 12 hours. Each touch will set the timer in hours.  
**To cancel the timer**, press the **TIMER** pad until the display time disappears.
- 7 Remote Control Signal Receiver**

### Power Outage Recovery Feature

In the case of a power outage or interruption, the unit will automatically re-start in the settings last used after the power is restored. The **TIMER** feature

will reset to the original setting. You may need to set a new time if desired.

### Remote Control

- To ensure proper operation, aim the remote control at the signal receiver on the air conditioner.
- The remote control signal has a range of up to 21 feet.
- Make sure nothing is between the air conditioner and the remote control that could block the signal.
- Make sure batteries are fresh and installed correctly as indicated on the remote control.

Lights next to the touch pads on the air conditioner control panel indicate the selected settings.

### COOL Mode

Use the **COOL** mode with **HIGH (F3)**, **MED (F2)** or **LOW (F1)** fan for cooling. Use the **INCREASE ▲ / DECREASE ▼** pads to set the desired temperature between 60°F and 86°F in 1°F increments.

An electronic thermostat is used to maintain the room temperature. The compressor will cycle on and off to keep the room at the set level of comfort. Set the thermostat at a lower number and the indoor air will become cooler. Set the thermostat at a higher number and the indoor air will become warmer.

**NOTE:** If the air conditioner is off and is then turned on while set to **COOL**, it will take approximately 3 minutes for the compressor to start and cooling to begin.

### Cooling Descriptions

**For Normal Cooling**—Select the **COOL** mode and **HIGH (F3)** or **MED (F2)** fan with a middle set temperature.

**For Maximum Cooling**—Select the **COOL** mode and **HIGH (F3)** fan with a lower set temperature.

**For Quieter & Nighttime Cooling**—Select the **COOL** mode and **LOW (F1)** fan with a middle set temperature.

**NOTE:** If you switch from a **COOL** setting to **OFF** or to a fan setting, wait at least 3 minutes before switching back to a **COOL** setting.

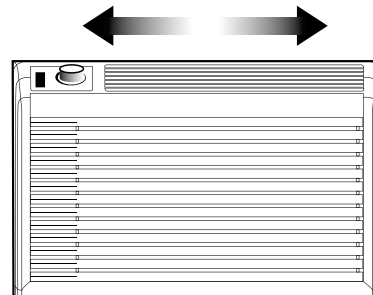
### FAN Mode

Use the **FAN** at **HIGH (F3)**, **MED (F2)** or **LOW (F1)** to provide air circulation and filtering without cooling. Since fan only settings do not provide cooling, a temperature setting will not be displayed.

*Additional controls and important information.*

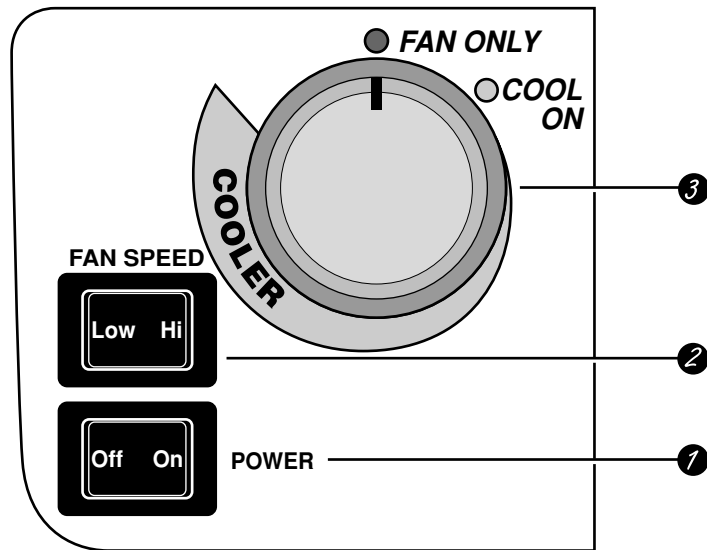
### Air Direction

Fingertip pressure on the louvers lets you control the air direction left, right, straight ahead or any combination of these directions.



# About the controls on the air conditioner—models with a control knob.

Features and appearance may vary.



## Controls

- 1 ON/OFF Switch**  
 Turns air conditioner on and off.  
**NOTE:** If the air conditioner is off and is then turned on while set in the **COOL ON** mode, it will take approximately 3 minutes for the compressor to start and cooling to begin.
- 2 FAN SPEED Switch**  
 Use to set the fan speed to **Low** or **Hi**.
- 3 Mode/Temp Control**  
 Use to set the air conditioner to the **FAN ONLY** or the **COOL ON** mode.

### **FAN ONLY Mode**

Use **FAN ONLY** at **Hi** or **Low FAN SPEED** to provide air circulation and filtering without cooling.

### **COOL ON Mode**

Use **COOL ON** with **Hi** or **Low FAN SPEED** for cooling. Turn the knob toward **COOLER** (larger blue area) for the indoor air to become cooler. Turn the knob toward the smaller blue area for the indoor air to become warmer.

The Mode/Temp control is used to maintain the room temperature. When set in the **COOL ON** mode, the compressor will cycle on and off to keep the room at the same level of comfort.

## Cooling Descriptions

**For Normal Cooling**—Select the **COOL ON** mode with the Mode/Temp knob set at the midpoint.

**For Maximum Cooling**—Select the **COOL ON** mode with the Mode/Temp knob set toward **COOLER** (larger blue area).

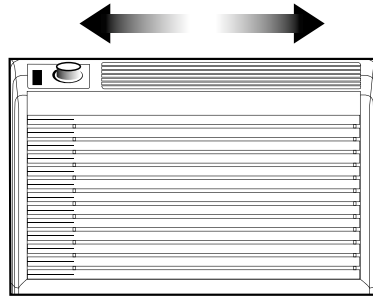
**For Quieter & Nighttime Cooling**—Select the **COOL ON** mode with the Mode/Temp knob set toward the smaller blue area.

**NOTE:** If you move the Mode/Temp control knob from the **COOL ON** setting to the **FAN ONLY** setting, wait at least 3 minutes before switching back to a **COOL ON** setting.

*Additional controls and important information.*

***Air Direction***

Fingertip pressure on the louvers lets you control the air direction left, right, straight ahead or any combination of these directions.



## Care and cleaning of the air conditioner.

---

### Air Filter

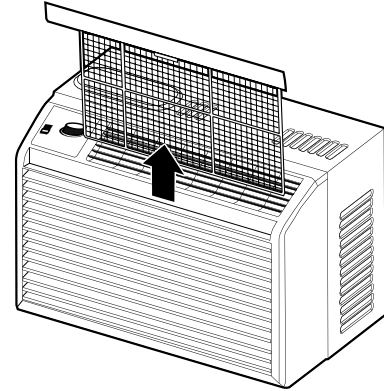
The air filter behind the front grille should be checked and cleaned at least every 30 days or more often if necessary.

Clean the filter with warm, soapy water. Rinse and let the filter dry before replacing it.

**⚠ CAUTION:** *DO NOT operate the air conditioner without a filter because dirt and lint will clog it and reduce performance.*

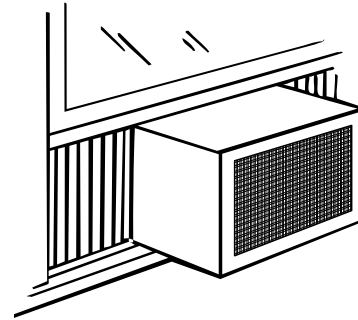
#### To remove:

Grasp the tab and gently pull the filter up and out.



### Outdoor Coils

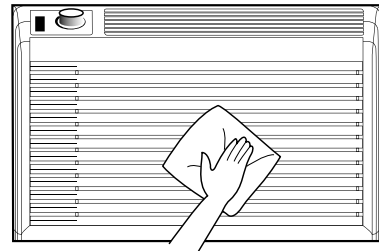
The coils on the outdoor side of the air conditioner should be checked regularly. If they are clogged with dirt or soot they may be professionally steam cleaned, a service available through your GE service outlet.



### Front Grille and Case

Turn the air conditioner off and remove the plug from the wall outlet before cleaning.

To clean, use water and a mild detergent. Do not use bleach or abrasives.





# Installation Instructions

# Air Conditioner

? Questions? Call 800.GE.CARES (800.432.2737) or Visit our Website at: [www.GEAppliances.com](http://www.GEAppliances.com)



## BEFORE YOU BEGIN

Read these instructions completely and carefully.

- **IMPORTANT** — Save these instructions for local inspector's use.
- **IMPORTANT** — Observe all governing codes and ordinances.
- **Note to Installer** – Be sure to leave these instructions with the Consumer.
- **Note to Consumer** – Keep these instructions for future reference.
- **Skill level** – Installation of this appliance requires basic mechanical skills.
- **Completion time** – Approximately 1 hour
- We recommend that two people install this product.
- Proper installation is the responsibility of the installer.
- Product failure due to improper installation is not covered under the Warranty.

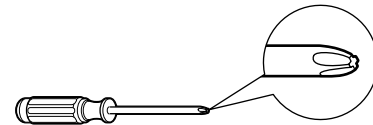
## ⚠ CAUTION:

Do not, under any circumstances, cut or remove the third (ground) prong from the power cord.

Do not change the plug on the power cord of this air conditioner.

Aluminum house wiring may present special problems—consult a qualified electrician.

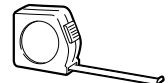
## TOOLS YOU WILL NEED



Phillips head screwdriver



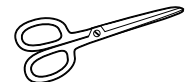
Pencil



Ruler or tape measure



Level



Scissors or knife



## ELECTRICAL REQUIREMENTS



Some models require a 115/120-volt a.c., 60 Hz grounded outlet protected with a 15-amp time delay fuse or circuit breaker.

The 3-prong grounding plug minimizes the possibility of electric shock hazard. If the wall outlet you plan to use is only a 2-prong outlet, it is your responsibility to have it replaced with a properly grounded 3-prong wall outlet.



Some models require 230/208-volt a.c., protected with a time delay fuse or circuit breaker. These models should be installed

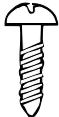
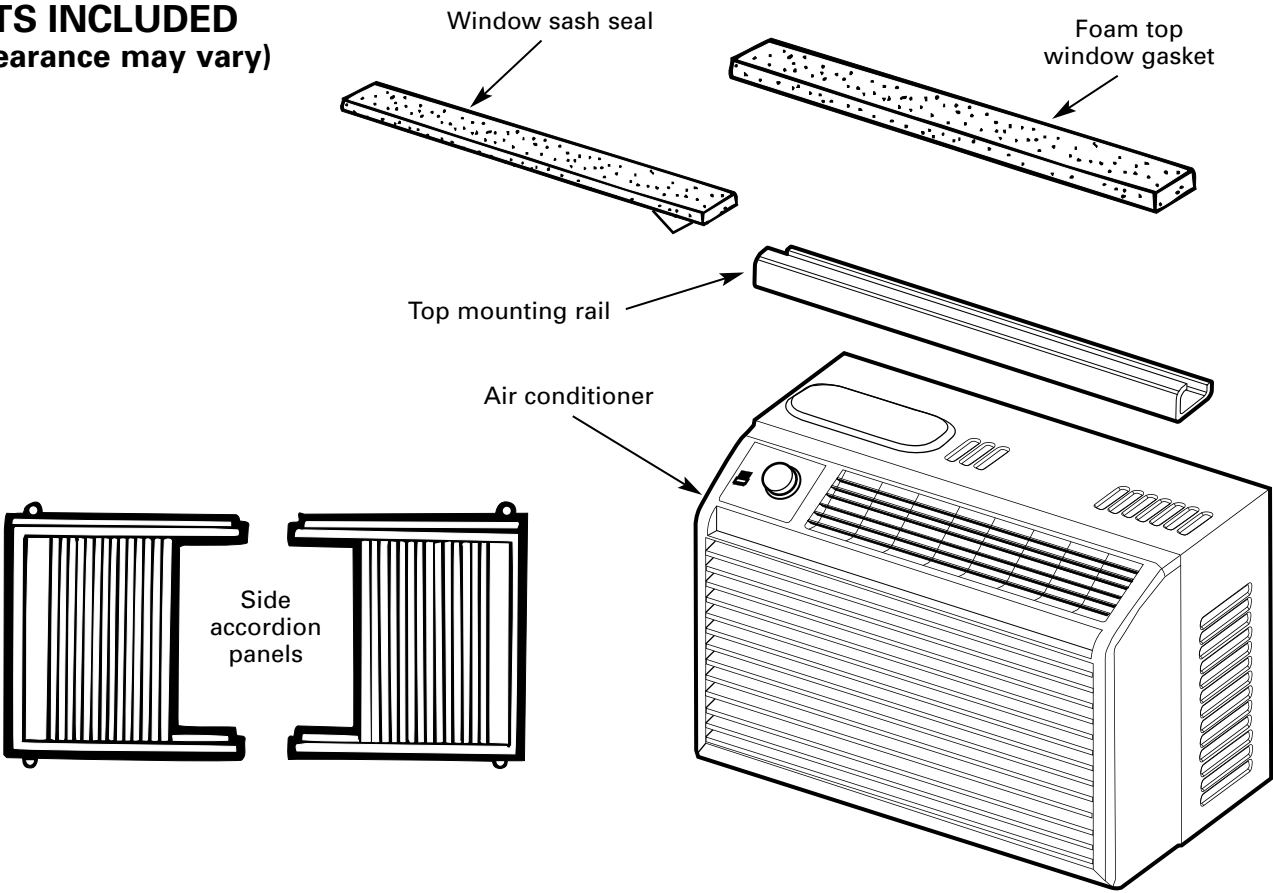


on their own single branch circuit for best performance and to prevent overloading house or apartment wiring circuits, which could cause a possible fire hazard from overheating wires.

Power cord may include a current interrupter device. A test and reset button is provided on the plug case. The device should be tested on a periodic basis by first pressing the **TEST** button and then the **RESET** button. If the **TEST** button does not trip or if the **RESET** button will not stay engaged, discontinue use of the air conditioner and contact a qualified service technician.

# Installation Instructions

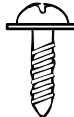
## PARTS INCLUDED (Appearance may vary)



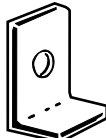
Type A (2)



Type B (14)



Type C (2)

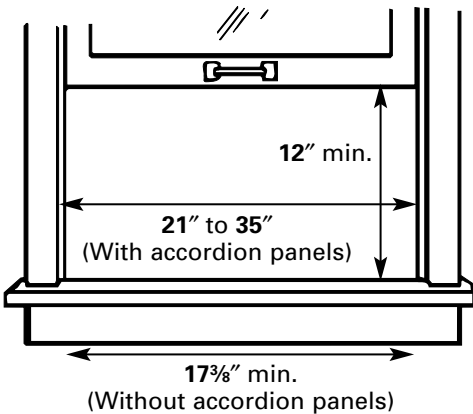


Support brackets (3)

# Installation Instructions

## 1 WINDOW REQUIREMENTS

- These instructions are for a standard double-hung window. You will need to modify them for other types of windows.
- The air conditioner can be installed without the accordion panels if needed to fit in a narrow window. See the window opening dimensions.
- All supporting parts must be secured to firm wood, masonry or metal.
- The electrical outlet must be within reach of the power cord.



## 2 STORM WINDOW REQUIREMENTS

A storm window frame will not allow the air conditioner to tilt toward the outside, and will keep it from draining properly. To adjust for this, attach a piece of wood to the stool.

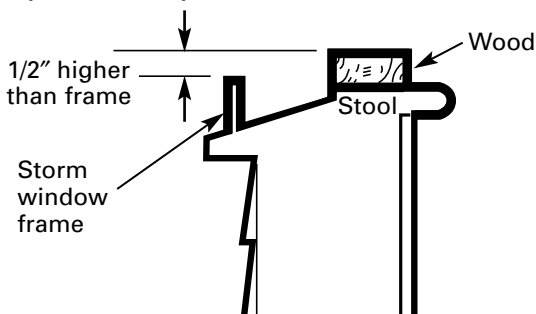
### WOOD PIECES—

**WIDTH:** 2"

**LENGTH:** Long enough to fit inside the window frame.

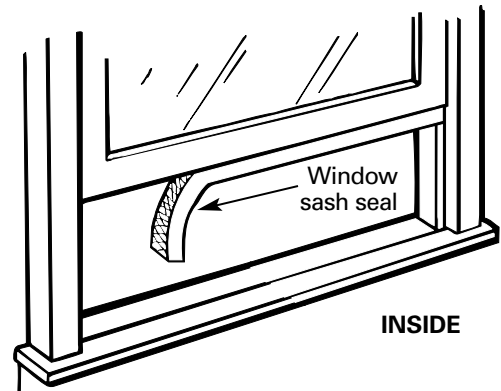
**THICKNESS:** To determine the thickness, place a piece of wood on the stool to make it 1/2" higher than the top of the storm window frame.

Attach securely with nails or screws provided by the installer.



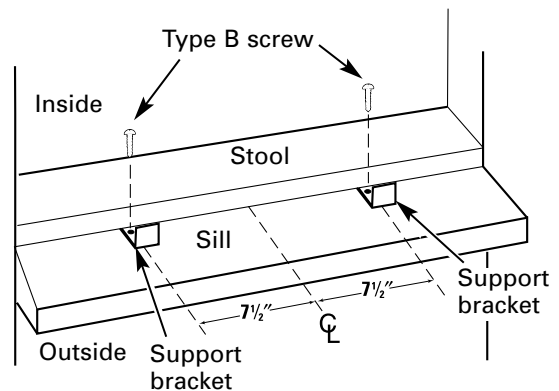
## 3 PREPARE THE WINDOW

- A** Cut the window sash seal to the window width and stick the adhesive side to the bottom of the sash.



- B** Mark the centerline of the sill. Measure and mark the locations for the support brackets 7 1/2" from both sides of the centerline.

- C** Place 2 support brackets on the sill, against the back edge of the stool with their holes centered on each 7 1/2" mark.

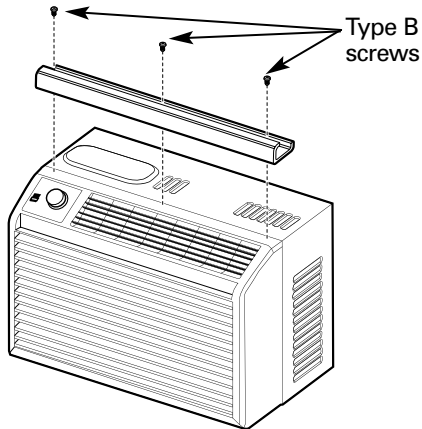


- D** Attach them to the sill with one Type B screw through each support bracket.

# Installation Instructions

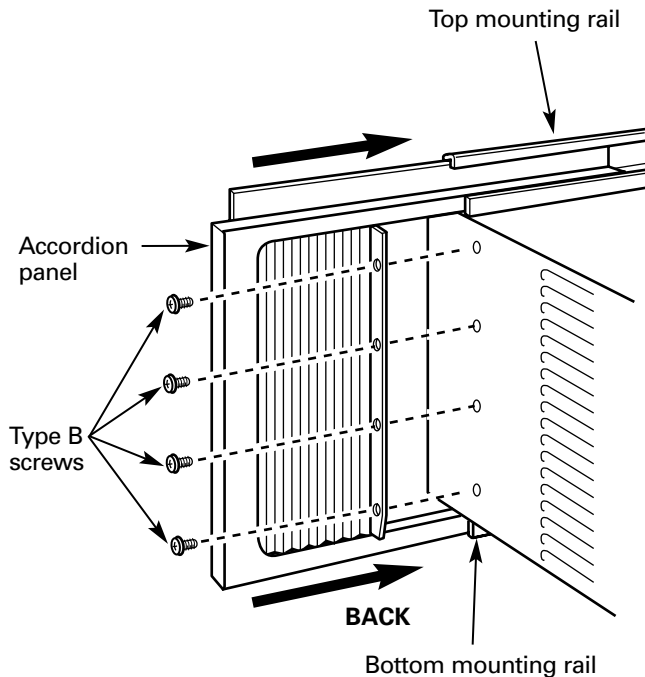
## 4 INSTALL THE TOP MOUNTING RAIL AND THE SIDE ACCORDION PANELS

- A** Install the top mounting rail with 3 Type B screws from the outside of the case.



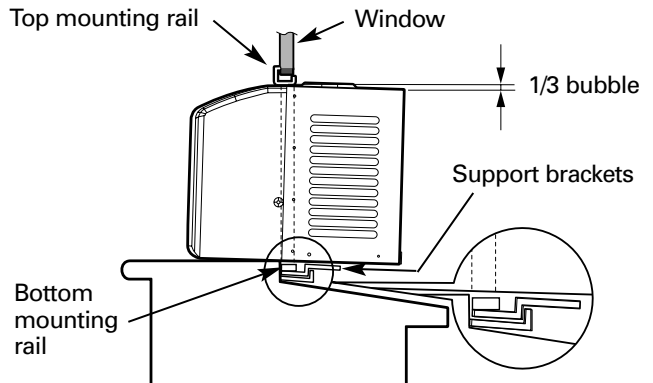
- B** Slide the left and right accordion panels into the top and bottom mounting rails.

- C** Attach the accordion panels to the case using 4 Type B screws on each side.

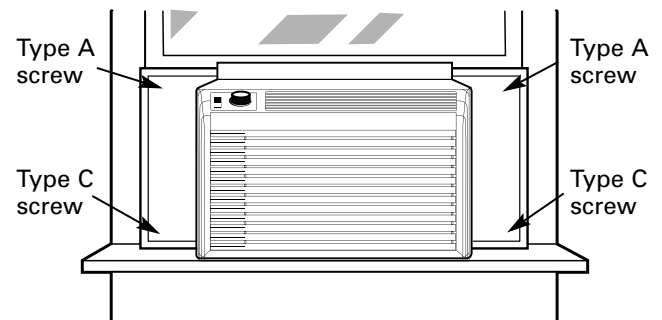


## 5 INSTALL THE AIR CONDITIONER IN THE WINDOW

- A** Center the air conditioner in the window with the bottom mounting rail between the window stool and the support brackets.



- B** Close the window. Make sure the window sash is behind the top mounting rail of the air conditioner. It should be level or slightly tilted to the outside. Use a level; about 1/3 bubble will be the correct case slant to the outside.



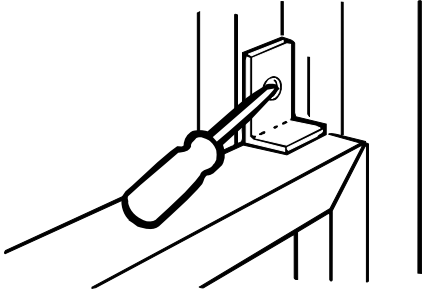
- C** Extend the accordion panels to fill the window opening and use 2 Type A screws to secure the top corners and 2 Type C screws to secure the bottom corners.

# Installation Instructions

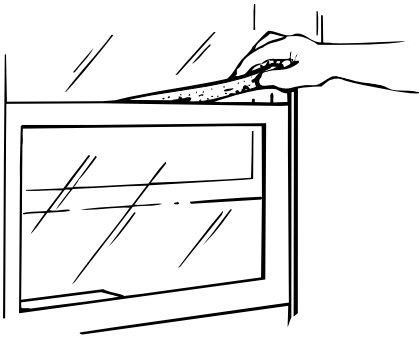
---

## **6** INSTALL A SUPPORT BRACKET AND THE FOAM TOP WINDOW GASKET

- A** Attach a support bracket with a Type B screw.



- B** Cut the foam top window gasket to the window width.
- C** Stuff the foam between the glass and the window to prevent air and insects from getting into the room.



## Troubleshooting Tips.



Troubleshooting Tips  
Save time and money!

<b>Problem</b>	<b>Possible Causes</b>	<b>What To Do</b>
<b>Air conditioner does not start</b>	The air conditioner is unplugged.	<ul style="list-style-type: none"> <li>• Make sure the air conditioner plug is pushed completely into the outlet.</li> </ul>
	The fuse is blown/circuit breaker is tripped.	<ul style="list-style-type: none"> <li>• Check the house fuse/circuit breaker box and replace the fuse or reset the breaker.</li> </ul>
	Power failure.	<ul style="list-style-type: none"> <li>• If power failure occurs, move the <b>POWER</b> switch to <b>OFF</b>. When power is restored, wait 3 minutes to restart the air conditioner to prevent tripping of the compressor overload.</li> </ul>
	The current interrupter device is tripped.	<ul style="list-style-type: none"> <li>• Press the <b>RESET</b> button located on the power cord plug.</li> <li>• If the <b>RESET</b> button will not stay engaged, discontinue use of the air conditioner and contact a qualified service technician.</li> </ul>
<b>Air conditioner does not cool as it should</b>	Airflow is restricted.	<ul style="list-style-type: none"> <li>• Make sure there are no curtains, blinds or furniture blocking the front of the air conditioner.</li> </ul>
	The mode/temp control may not be set correctly.	<ul style="list-style-type: none"> <li>• On models with touch pads: In <b>COOL</b> mode, press the <b>DECREASE ▼</b> pad.</li> <li>• On models with a control knob, turn it toward <b>COOLER</b> (larger blue area).</li> </ul>
	The air filter is dirty.	<ul style="list-style-type: none"> <li>• Clean the filter at least every 30 days. See the <i>Operating Instructions</i> section.</li> </ul>
	The room may have been hot.	<ul style="list-style-type: none"> <li>• When the air conditioner is first turned on you need to allow time for the room to cool down.</li> </ul>
	Cold air is escaping.	<ul style="list-style-type: none"> <li>• Check for open furnace floor registers and cold air returns.</li> <li>• Set the air conditioner's vent to the closed position.</li> </ul>
	Cooling coils have iced up.	<ul style="list-style-type: none"> <li>• See <b>Air conditioner freezing up</b> below.</li> </ul>
<b>Air conditioner freezing up</b>	Ice blocks the air flow and stops the air conditioner from cooling the room.	<ul style="list-style-type: none"> <li>• On models with a control knob, turn it to <b>FAN ONLY</b> or <b>COOL ON</b> (set at the small blue area).</li> <li>• On models with touch pads, set the mode control at <b>HIGH (F3) FAN</b> or <b>HIGH (F3) COOL</b> and set the thermostat to a higher temperature.</li> </ul>
<b>The remote control is not working</b>	The batteries are inserted incorrectly.	<ul style="list-style-type: none"> <li>• Check the position of the batteries. They should be inserted in the opposite (+) and (-) direction.</li> </ul>
	The batteries may be dead.	<ul style="list-style-type: none"> <li>• Replace the batteries.</li> </ul>
<b>Water drips outside</b>	Excessively hot and humid weather.	<ul style="list-style-type: none"> <li>• This is normal.</li> </ul>
<b>Water drips indoors</b>	The air conditioner is not tilted to the outside.	<ul style="list-style-type: none"> <li>• For proper water disposal, make sure the air conditioner slants slightly from the case front to the rear.</li> </ul>
<b>Water collects in base pan</b>	Moisture is removed from indoor air and drains into rear of a cabinet where a fan blows it against the outdoor condenser coil.	<ul style="list-style-type: none"> <li>• This is normal for a short period in areas with little humidity; normal for a longer period in very humid areas.</li> </ul>
<b>TIMER feature not working properly</b>	A power outage or interruption occurred.	<ul style="list-style-type: none"> <li>• In the case of a power outage or interruption, the unit <b>TIMER</b> feature will reset to the original setting. You may need to set a new time if desired.</li> </ul>

### **Normal Operating Sounds**

- You may hear a pinging noise caused by water being picked up and thrown against the condenser on rainy days or when the humidity is high. This design feature helps remove moisture and improve efficiency.
- You may hear the thermostat click when the compressor cycles on and off.
- Water will collect in the base pan during high humidity or on rainy days. The water may overflow and drip from the outdoor side of the unit.
- The fan may run even when the compressor does not.

**Safety Instructions**

**Operating Instructions**

**Installation Instructions**

**Troubleshooting Tips**

**Consumer Support**

<b>Consumer Support</b>
<b>Troubleshooting Tips</b>
<b>Installation Instructions</b>
<b>Operating Instructions</b>
<b>Safety Instructions</b>

**Notes.**

---



# GE Air Conditioner Warranty—One Year Limited Warranty.



Staple your receipt here.  
Proof of the original purchase date  
is needed to make a warranty claim.

## For The Period Of: We Will Replace:

### One Year

From the date of the  
original purchase

**Replacement unit** for any product which fails due to a defect in materials or workmanship.  
The exchange unit is warranted for the remainder of your product's original one-year warranty period.

## In Order to Make a Warranty Claim:

- Properly pack your unit. We recommend using the original carton and packing materials.
- Return the product to the retail location where it was purchased.
- Include in the package a copy of the sales receipt or other evidence of date of original purchase. Also print your name and address and a description of the defect.

## What Is Not Covered:

- Customer instruction. This owner's manual provides information regarding operating instructions and user controls.
- Improper installation. If you have an installation problem, or if the air conditioner is of improper cooling capacity for the intended use, contact your dealer or installer. You are responsible for providing adequate electrical connecting facilities.
- Failure of the product resulting from modifications to the product or due to unreasonable use including failure to provide reasonable and necessary maintenance.
- Replacement of house fuses or resetting of circuit breakers.
- Damage to the product caused by improper power supply voltage, accident, fire, floods or acts of God.
- Incidental or consequential damage caused by possible defects with this air conditioner.

*This warranty is extended to the original purchaser and any succeeding owner for products purchased for home use within the USA.*

*Some states do not allow the exclusion or limitation of incidental or consequential damages. This warranty gives you specific legal rights, and you may also have other rights which vary from state to state. To know what your legal rights are, consult your local or state consumer affairs office or your state's Attorney General.*

**Exclusion of implied warranties:** *Except where prohibited or restricted by law, there are no warranties, whether express, oral or statutory which extend beyond the description on the face hereof, including specifically the implied warranties of merchantability or fitness for a particular purpose.*

**Warrantor: General Electric Company, Louisville, KY 40225**

Safety Instructions

Operating Instructions

Installation Instructions

Troubleshooting Tips

Consumer Support

## Consumer Support.

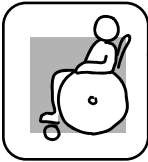
---



### *GE Appliances Website*

***www.GEAppliances.com***

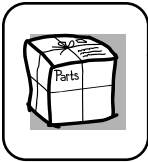
Have a question or need assistance with your appliance? Try the GE Appliances Website 24 hours a day, any day of the year! For greater convenience and faster service, you can now download Owner's Manuals, or even order parts and catalogs on-line. You can also "Ask Our Team of Experts™" your questions, and so much more...



### *Real Life Design Studio*

***www.GEAppliances.com***

GE supports the Universal Design concept—products, services and environments that can be used by people of all ages, sizes and capabilities. We recognize the need to design for a wide range of physical and mental abilities and impairments. For details of GE's Universal Design applications, including kitchen design ideas for people with disabilities, check out our Website today. For the hearing impaired, please call 800.TDD.GEAC (800.833.4322).

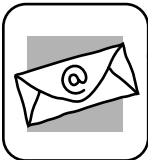


### *Parts and Accessories*

***www.GEAppliances.com***

Individuals qualified to service their own appliances can have parts or accessories sent directly to their homes (VISA, MasterCard and Discover cards are accepted). Order on-line today, 24 hours every day or by phone at 800.626.2002 during normal business hours.

***Instructions contained in this manual cover procedures to be performed by any user. GE does not support any servicing of the air conditioner. We strongly recommend that you do not attempt to service the air conditioner yourself.***



### *Contact Us*

***www.GEAppliances.com***

If you are not satisfied with the service you receive from GE, contact us on our Website with all the details including your phone number, or write to: General Manager, Customer Relations  
GE Appliances, Appliance Park  
Louisville, KY 40225



# Acondicionadores de Aire

*Instrucciones de seguridad* . . . .2, 3

*Instrucciones de operación*  
 Controles—botones de control . . .6, 7  
 Controles—teclas de toque . . . .4, 5

*Cuidado y limpieza*  
 Bobinas para exteriores . . . . .8  
 Filtro de aire . . . . .8  
 Rejilla y caja . . . . .8

*Instrucciones de instalación* . .9–13

*Solucionar problemas* . . . . .14  
 Sonidos normales de operación . .15

*Servicio al consumidor*  
 Garantía . . . . .17  
 Servicio al consumidor . . . . .18

**Manual del propietario e  
Instrucciones de Instalación**

AGR05  
AGT05  
AGW05

**Escriba los números de modelo  
y serie aquí:**

**# de Modelo** \_\_\_\_\_

**# de Serie** \_\_\_\_\_

Puede encontrar estos números  
en una etiqueta en el costado  
del acondicionador de aire.



# INFORMACIÓN IMPORTANTE DE SEGURIDAD. LEA TODAS LAS INSTRUCCIONES ANTES DE USAR.

Seguridad

## ⚠ ¡ADVERTENCIA!

Por su seguridad, se debe seguir la información en este manual para minimizar el riesgo de incendios, descargas eléctricas o lesiones personales.

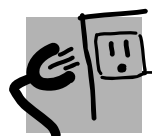


### PRECAUCIONES DE SEGURIDAD

- Use este electrodoméstico solamente para el propósito determinado según se describe en el Manual del propietario.
- Este acondicionador de aire debe instalarse correctamente de acuerdo con las Instrucciones de instalación antes de su uso.
- Nunca desenchufe su acondicionador de aire tirando del cable eléctrico. Siempre agarre firmemente el enchufe y tire de él directamente hacia afuera.
- Reemplace inmediatamente todos los cables eléctricos que se hayan pelado o que se hayan dañado de alguna otra manera. No use un cable eléctrico que muestre evidencias de deterioro, o daños de abrasión en su superficie en alguno de sus extremos.
- Apague el control de modo y desenchufe su acondicionador de aire antes de limpiar.
- GE no está no apoya que se le proporcione ningún servicio al acondicionador de aire. Vehementemente recomendamos que usted no intente proporcionar servicio al acondicionador de aire usted mismo.
- Por su seguridad...no almacene ni use materiales combustibles, gasolina u otros vapores o líquidos inflamables en la proximidad de éste o algún otro electrodoméstico.
- Todos los acondicionadores de aire contiene refrigerantes, los que por Ley Federan deben ser removidos antes de desecharlos. Si usted planea deshacerse de algún producto que contenga refrigerantes, póngase en contacto con la compañía que se encarga de recoger su basura para que le indiquen qué hacer.

Operación

Instalación



### CÓMO CONECTAR LA ELECTRICIDAD

*Bajo ninguna circunstancia, corte o remueva la tercera púa (tierra) del cable eléctrico. En pos de la seguridad personal, este electrodoméstico debe siempre conectarse a tierra.*

El cable eléctrico de este electrodoméstico está equipado con un enchufe de tres púas (tierra) que combina con un tomacorriente estándar de tres tomas de pared para minimizar la posibilidad de una descarga eléctrica.

El cable de alimentación puede incluir un dispositivo para interrupción de corriente. Se incluye un botón de prueba y de reinicio en el dispositivo. El dispositivo debe ponerse a prueba periódicamente: primero se presiona el botón de **TEST** (prueba) y luego **RESET** (reinicio). Si el botón **TEST** no se dispara o si el botón **RESET** no queda enganchado, deje de utilizar el acondicionador de aire y comuníquese con un técnico calificado.

Pida a un técnico que inspeccione el tomacorriente y el circuito para cerciorarse

de que el tomacorriente está conectado a tierra de la manera apropiada.

Donde exista un tomacorriente de dos tomas, es su responsabilidad y obligación personal hacer que dicho tomacorriente sea reemplazado por uno de tres tomas con conexión a tierra.

El acondicionador de aire debería siempre estar conectado a un tomacorriente individual con su circuito de voltaje correspondiente.

Esto proporciona el mayor rendimiento y además evita que los circuitos del resto de la casa se sobrecarguen, lo cual podría causar incendios por el sobrecalentamiento del cableado.

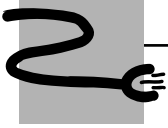
Ver las Instrucciones de instalación, en la sección *Requisitos Eléctricos* para los requisitos específicos de conexión.

Solucionar problemas

Servicio al consumidor

## ⚠ ¡ADVERTENCIA!

### USO DE CABLES DE EXTENSIÓN—Modelos de 115 voltios solamente



Debido al potencial de riesgos de seguridad bajo ciertas condiciones, enérgicamente recomendamos contra el uso de cables de extensión.

Sin embargo, si usted se ve en la necesidad de usar un cable eléctrico de extensión, es absolutamente necesario que el mismo esté listado bajo UL, sea calibre 14, del tipo de 3 tomas con conexión a tierra para electrodomésticos y el índice eléctrico debe ser de 15 amperios (mínimo) y 125 voltios.

## ⚠ PRECAUCIÓN:

**NO USE un cable de extensión con ninguno de los modelos de 230/208 voltios**



### USO DE ENCHUFES ADAPTADORES—Modelos de 115 voltios solamente

Debido al potencial de riesgos de seguridad bajo ciertas condiciones, enérgicamente recomendamos contra el uso de enchufes adaptadores.

Sin embargo, si usted se ve en la necesidad de usar un adaptador, donde los códigos legales locales lo permitan, puede hacer una **conexión temporal** a un interruptor de 2 tomas siempre que se use un tomacorriente listado UL disponible en la mayoría de las ferreterías.

La ranura mayor en el adaptador debe estar alineada con la púa mayor en la pared para proporcionar una polaridad apropiada en la conexión del cable eléctrico.

Cuando se disponga a desconectar el cable eléctrico del adaptador, siempre sostenga el adaptador en su lugar con una mano mientras tira del cable eléctrico con la otra mano. Si no hace esto, la terminal de tierra del adaptador podría romperse después de que este proceso se repita varias veces.

Si se rompe el terminal de conexión a tierra del adaptador, **NO USE** el acondicionador de aire hasta que la conexión a tierra se haya restablecido.

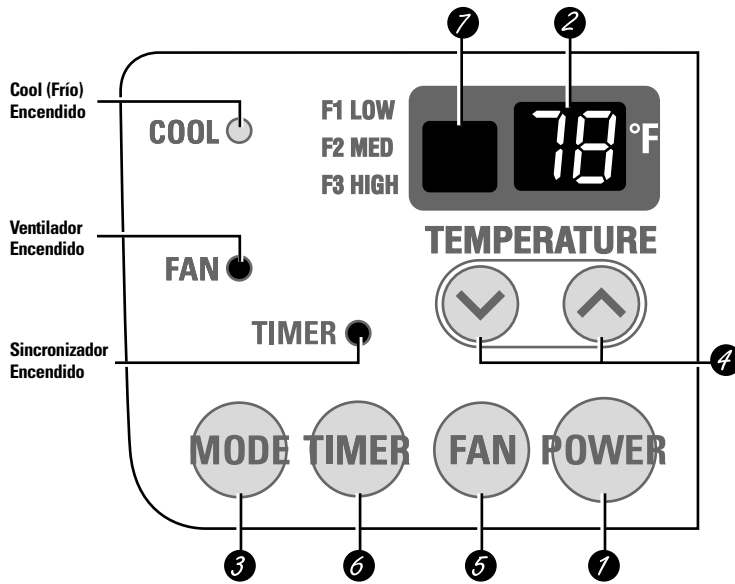
*Unir el terminal de conexión a tierra del adaptador a un tornillo de la cubierta en la pared no conecta a tierra el electrodoméstico apropiadamente a no ser que el tornillo de la cubierta sea metálico y no esté aislado, y el tomacorriente de la casa esté apropiadamente conectado a tierra a través del cableado de la casa. Haga que un técnico calificado inspeccione el circuito de la casa para cerciorarse que está conectado a tierra apropiadamente.*



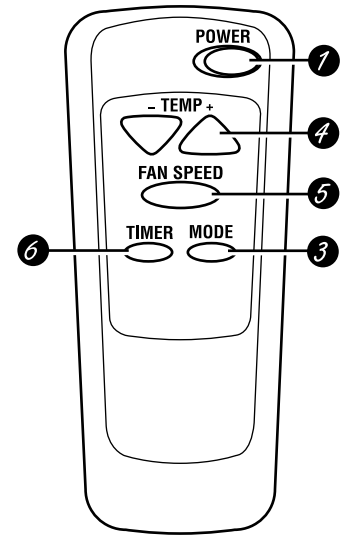
**LEA Y SIGA ESTAS INSTRUCCIONES DE SEGURIDAD CUIDADOSAMENTE.  
GUARDE ESTAS INSTRUCCIONES**

# Acerca de los controles en el acondicionador de aire— modelos con teclas de toque.

Las funciones y el aspecto pueden variar.



**Controles del acondicionador de aire**



**Control remoto**



## Controles

- 1 ON/OFF (ENCENDIDO/APAGADO)**  
Apaga y prende el acondicionador de aire.
- 2 Pantalla**  
Muestra la temperatura ajustada, el tiempo restante en el sincronizador.
- 3 MODO**  
Usado para ajustar el acondicionador de aire al modo **COOL (FRÍO)** o **FAN (VENTILADOR)**.
- 4 Teclas de Aumentar ▲ /Reducir ▼**  
Usado para ajustar la temperatura cuando se encuentre en el modo **COOL (FRÍO)**.
- 5 FAN (VENTILADOR)**  
Usado para ajustar la velocidad del ventilador a **LOW (F1) (BAJO)**, **MED (F2)** o **HIGH (F3) (ALTO)**.
- 6 TIMER (SINCRONIZADOR)**  
**ON (ENCENDIDO)**—Cuando el acondicionador de aire está apagado, puede ajustarse para que se encienda automáticamente dentro de 1 a 12 horas en el nivel previo. Cada toque ajustará el tiempo en horas.  
**OFF (APAGADO)**—Cuando el acondicionador de aire está encendido, puede ajustarse para que se apague automáticamente dentro de 1 a 12 horas. Cada toque ajustará el tiempo en horas.  
**Para cancelar el sincronizador**, presione la tecla **TIMER (SINCRONIZADOR)** hasta que el tiempo en la pantalla desaparezca.
- 7 Receptor de la señal del control remoto**

## Función de recuperación de pérdida de energía

En caso de la pérdida de la energía o interrupción, la unidad reiniciará automáticamente en las funciones de la última vez que fue usada una vez la energía sea restablecida. La función del

**SINCRONIZADOR** reajustará al ajuste original. Es posible que usted necesite ajustar un tiempo nuevo si así lo desea.

## Control remoto

- Para garantizar una operación apropiada, oriente el control remoto hacia el receptor de señal del acondicionador de aire.
- El receptor de señal tiene un rango máximo de 21 pies.
- Cerciérese de que no haya nada entre el acondicionador de aire y el control remoto que pueda bloquear la señal.
- Cerciérese de que las baterías sean frescas y se instalen correctamente como se muestra en el control remoto.

Las luces al lado de las teclas de toque en el panel de control del acondicionador de aire indicarán los ajustes seleccionados.

### Modo COOL (FRÍO)

Use el modo **COOL** con ventilador **HIGH (F3) (ALTO)**, **MED (F2) (MEDIO)** o **LOW (F1) (BAJO)** para enfriar. Use las teclas de **INCREASE ▲ (AUMENTAR)/ DECREASE ▼ (REDUCIR)** para ajustar a la temperatura deseada entre 64°F y 86°F en incrementos de 1°F.

Se usa un termostato electrónico para mantener la temperatura de la habitación. El compresor hará ciclo entre apagado y encendido para mantener la habitación a la temperatura deseada. Ajuste el termostato a un número menor y el aire interno se enfriará más. Si lo ajusta a un número mayor, la temperatura del aire interno se calentará más.

**NOTA:** Si el acondicionador de aire está apagado y luego se enciende mientras está ajustado en **COOL (FRÍO)**, tomará aproximadamente 3 minutos para que el compresor comience a enfriar otra vez.

### Descripciones de enfriamiento

**Para enfriamiento normal**—Seleccione el modo de ventilador **COOL (FRÍO)** y **HIGH (F3) (ALTO)** o **MED (F2) (MEDIO)** con una temperatura de ajuste media.

**Para enfriamiento máximo**—Seleccione el modo de ventilador **COOL** y **HIGH F3 (ALTO)** con una temperatura de ajuste menor.

**Para enfriamiento silencioso y enfriamiento nocturno**—Seleccione el modo de ventilador **COOL** y **LOW (F1) (BAJO)** con una temperatura de ajuste media.

**NOTA:** Si cambia de un ajuste **COOL (FRÍO)** a **OFF (APAGADO)** o a un ajuste de ventilador, espere aproximadamente 3 minutos antes de cambiar otra vez al ajuste de **COOL (FRÍO)**.

### Modo de FAN (Ventilador)

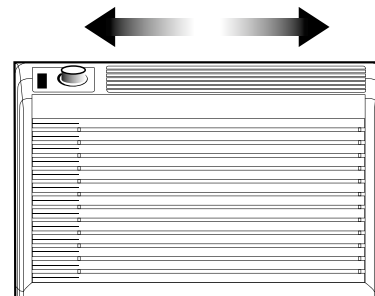
Use el **FAN (Ventilador)** en **High (F3) (ALTO)**, **MED (F2) (MEDIO)** o **LOW (F1) (BAJO)** para proporcionar circulación de aire y filtración sin enfriamiento. Debido a que los niveles de ventilador únicamente

no proporcionan enfriamiento, el nivel de temperatura no se muestra en la pantalla.

### Controles adicionales e información importante.

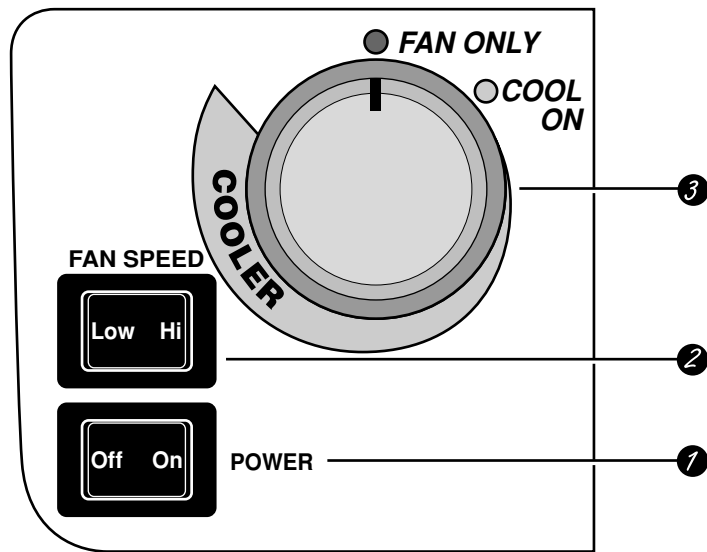
#### Dirección del aire

Haga presión con las puntas de sus dedos sobre las persianitas para cambiar la dirección del aire de derecha a izquierda y en dirección recta o en combinaciones de estas direcciones.



# Acerca de los controles en el acondicionador de aire— modelos con un botón de control.

Las funciones y el aspecto pueden variar.



## Controles

- 1 Interruptor ON/OFF**  
Enciende y apaga el acondicionador de aire.

**NOTA:** Si el acondicionador de aire está apagado y entonces es encendido mientras está en el modo **COOL ON (ENFRIADO ENCENDIDO)**, el compresor necesitará aproximadamente 3 minutos para iniciar y para que el enfriamiento comience.

- 2 Interruptor de FAN SPEED (VELOCIDAD DEL VENTILADOR)**

Use esta función para cambiar la velocidad del ventilador entre **Low (Bajo)** y **Hi (Alto)**.

- 3 Control de Mode/Temp (Modo/Temp)**  
Use para ajustar el acondicionador de aire al modo **FAN ONLY (VENTILADOR SOLAMENTE)** o **COOL ON (ENFRIADO ENCENDIDO)**.

### Modo de FAN ONLY (VENTILADOR SOLAMENTE)

Use **FAN ONLY** en **Hi (Alto)** o **Low (Bajo) FAN SPEED (VELOCIDAD DE VENTILADOR)** para proporcionar circulación de aire y filtración sin enfriamiento.

### Modo de COOL ON (ENFRIADO ENCENDIDO)

Use **COOL ON** con **Hi (Alto)** o **Low (Bajo) FAN SPEED (VELOCIDAD DE VENTILADOR)** para enfriamiento. Gire el botón hacia **COOLER (MÁS FRÍO)** (hacia el área azul mayor) para que el aire de interior se enfríe más. Gire el botón hacia el área azul más pequeña para que el aire de interior se caliente más.

El control de Mode/Temp es usado para mantener a temperatura ambiente. Cuando esté colocado en el modo **COOL ON (ENFRIADO ENCENDIDO)**, el compresor hará ciclo entre apagado y encendido para mantener el salón al mismo nivel de temperatura.

## Descripciones de enfriamiento

**Para enfriamiento normal**—Seleccione el modo **COOL ON (ENFRIADO ENCENDIDO)**, con el botón Mode/Temp en la posición del centro.

**Para enfriamiento máximo**—Seleccione el modo **COOL ON (ENFRIADO ENCENDIDO)**, con el botón Mode/Temp apuntando hacia **COOLER (MÁS FRÍO)** (hacia el área azul mayor).

**Para enfriamiento más tranquilo & durante las noches**—Seleccione el modo **COOL ON (ENFRIADO ENCENDIDO)**, con el botón Mode/Temp apuntando hacia el área azul más pequeña.

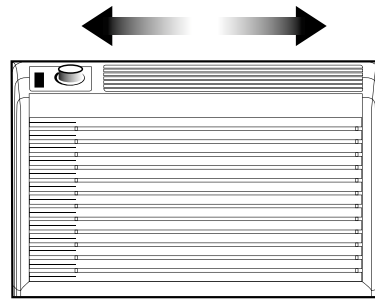
**NOTA:** Si usted mueve el botón de control de Mode/Temp de la función **COOL ON** hacia la función **FAN ONLY**, espere por lo menos 3 minutos antes de cambiar otra vez a la función **COOL ON**.



Controles adicionales e información importante.

### **Dirección del aire**

Haga presión con las puntas de sus dedos sobre las persianitas para cambiar la dirección del aire de derecha a izquierda y en dirección recta o en combinaciones de estas direcciones.



**Seguridad**

**Operación**

**Instalación**

**Solucionar problemas**

**Servicio al consumidor**

## Cuidado y limpieza del acondicionador de aire.

### Filtro de aire

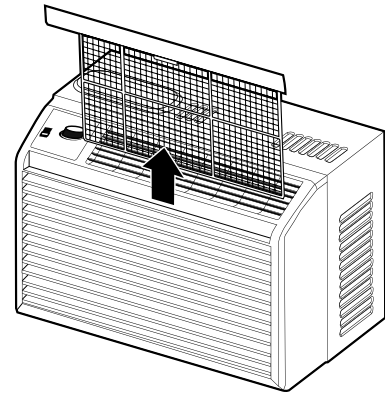
El filtro de aire detrás de la rejilla frontal debe inspeccionarse y limpiarse por lo menos cada 30 días o más a menudo si fuese necesario.

Limpie el filtro con agua tibia y jabón. Enjuáguelo y permita que se seque antes de colocarlo otra vez en su lugar.

**⚠ PRECAUCIÓN:** NO OPERE el acondicionador de aire sin el filtro debido a que la suciedad y las pelusas lo obstruirán y reducirán su rendimiento.

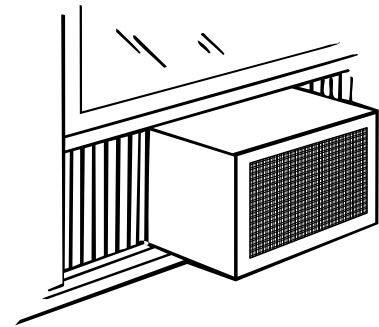
#### Para retirarlo:

Agarre la orejilla en el filtro y tire hacia afuera y hacia arriba.



### Bobinas para exteriores

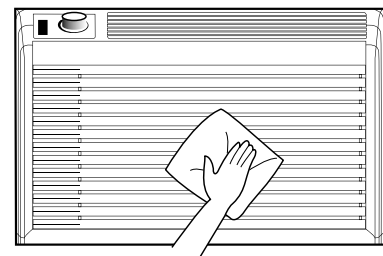
Se deben inspeccionar con frecuencia las bobinas en el lado exterior del acondicionador de aire. Si las mismas están obstruidas con suciedad u hollín, podrían limpiarse profesionalmente con vapor. En un punto de servicios GE podemos proporcionarle tales servicios.



### Parrilla frontal y caja

Apague el acondicionador de aire y retire el enchufe del tomacorriente de la pared antes de limpiar.

Para limpiar use agua y un detergente suave. No use cloro o abrasivos.



# Instrucciones para la instalación

# Acondicionador de aire

? ¿Preguntas? Llame al 800.GE.CARES (800.432.2737) o bien Visite nuestra página Web: [www.GEAppliances.com](http://www.GEAppliances.com)



## ANTES DE INICIAR

Lea estas instrucciones completa y cuidadosamente

- **IMPORTANTE** — Guarde estas instrucciones para uso del inspector local.
- **IMPORTANTE** — Observe todos los códigos y órdenes de ley.
- **Nota al instalador** – Asegúrese de dejar estas instrucciones con el consumidor.
- **Nota al consumidor** – Conserve estas instrucciones para referencia futura.
- **Nivel de destreza** – La instalación de este aparato requiere de destrezas mecánicas básicas.
- **Tiempo de ejecución** – Aprox. 1 hora
- Recomendamos dos personas para la instalación de este producto.
- La instalación apropiada es la responsabilidad del instalador.
- La falla del producto debido a una instalación inadecuada no está cubierta por la garantía.



## REQUISITOS ELECTRICOS



Algunos modelos requieren tomacorrientes de 115/120 voltios de corriente alterna y 60 Hz conectados a tierra, protegidos con un fusible de dilatación de tiempo de 15 amperios o un cortacircuitos.

El enchufe de tres púas con conexión a tierra minimiza la posibilidad de descargas eléctricas. Si el tomacorriente de la pared que usted planea usar solamente tiene 2 tomas, es su responsabilidad hacer que un técnico lo reemplace por uno de tres tomas con conexión a tierra.



## REQUISITOS ELECTRICOS (cont.)



Algunos modelos requieren 230/208 voltios, de corriente alterna, protegidos por un fusible de dilatación de tiempo o un cortacircuitos. Estos modelos deberían instalarse en un ramal exclusivo del circuito para un rendimiento más notable y para prevenir sobrecargas en los circuitos de cableados de su casa o apartamento, lo cual podría representar un riesgo de incendio por el sobrecalentamiento de los alambres.



## PRECAUCIÓN:

**Bajo ninguna circunstancia corte o remueva la tercera púa (conexión a tierra) del cable eléctrico.**

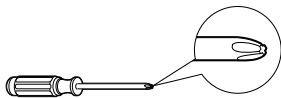
**No cambie el enchufe en el cable eléctrico de este acondicionador de aire.**

**Los cables caseros de aluminio podrían presentar problemas especiales. Consulte a un técnico electricista calificado.**

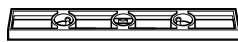
El cable de alimentación puede incluir un dispositivo para interrupción de corriente. Se incluye un botón de prueba y de reinicio en el dispositivo. El dispositivo debe ponerse a prueba periódicamente: primero se presiona el botón de **TEST** (prueba) y luego **RESET** (reinicio). Si el botón **TEST** no se dispara o si el botón **RESET** no queda enganchado, deje de utilizar el acondicionador de aire y comuníquese con un técnico calificado.

# Instrucciones de instalación

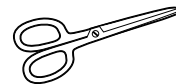
## HERRAMIENTAS QUE USTED NECESITARÁ



Destornillador Phillips



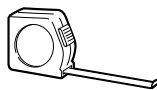
Nivel



Tijeras o cuchilla

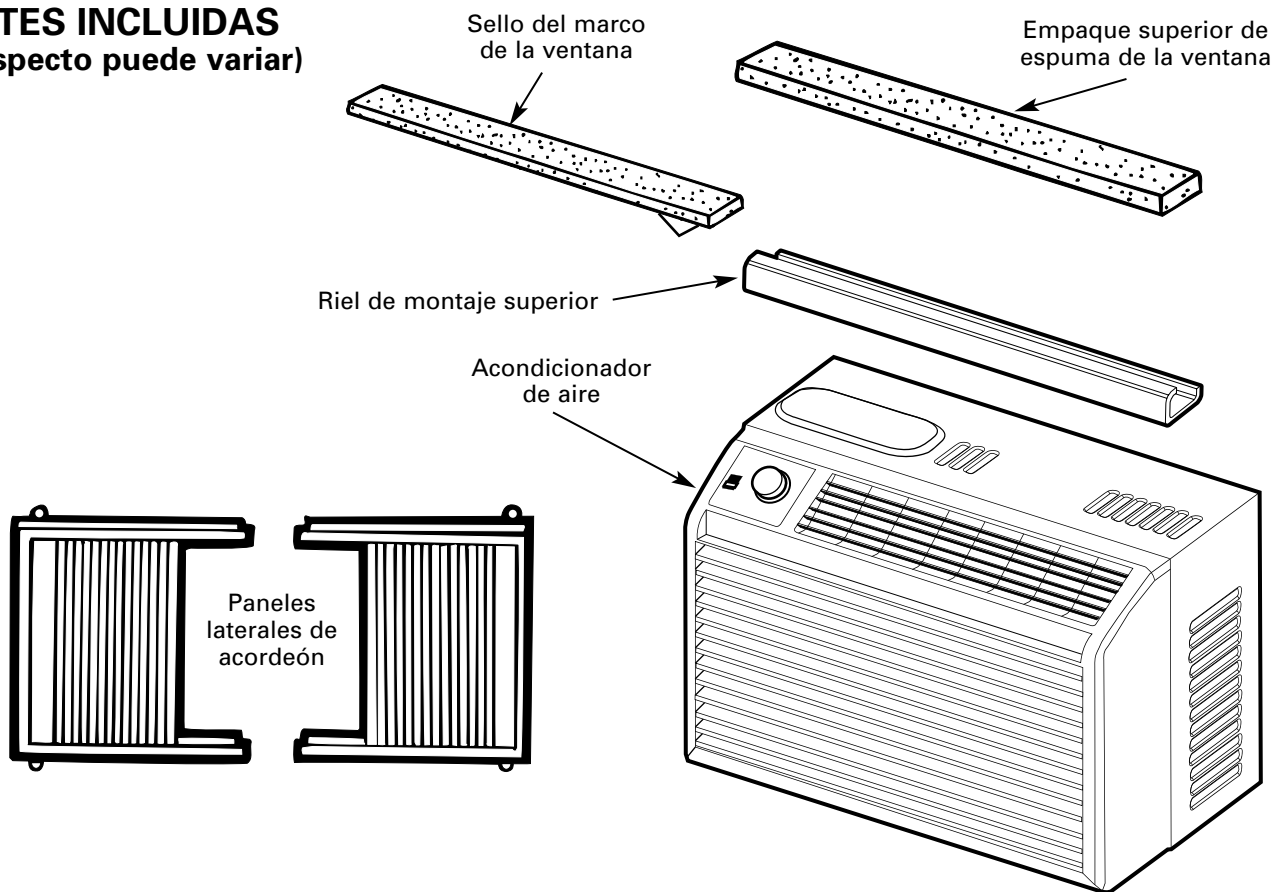


Lápiz



Regla o cinta métrica

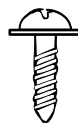
## PARTES INCLUIDAS (El aspecto puede variar)



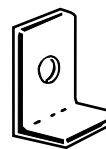
Tipo A (2)



Tipo B (14)



Tipo C (2)

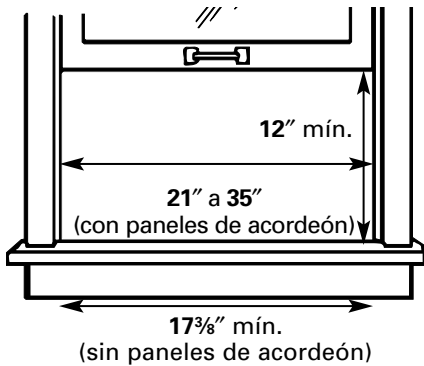


Soportes de apoyo (3)

# Instrucciones de instalación

## 1 REQUISITOS PARA LA VENTANA

- Estas instrucciones son para una ventana estándar de dos pliegues. Usted necesitará modificar el proceso para otros tipos de ventanas.
- El acondicionador de aire puede instalarse sin los paneles de acordeón para ajustarse a una ventana más estrecha. Ver las dimensiones de la abertura de la ventana.
- Todas las partes de apoyo deben quedar totalmente aseguradas a algún metal, mampostería o a la madera.
- El tomacorriente eléctrico debe estar al alcance del cable eléctrico del acondicionador de aire.



## 2 REQUISITOS DE UNA VENTANA DE TORMENTAS

Un marco de ventana de tormentas no permitirá que el acondicionador de aire se incline hacia el exterior y evitará que drene apropiadamente. Para solucionar este problema, adhiera un pedazo de madera a la repisa.

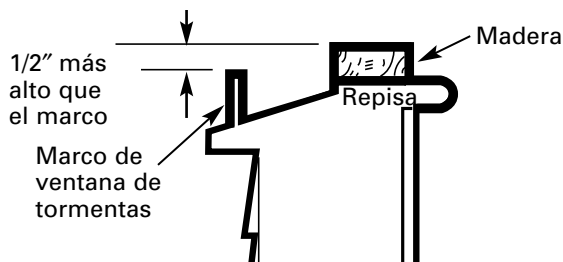
### PIEZAS DE MADERA-

**ANCHO:** 2"

**LONGITUD:** Suficiente longitud para ajustarse al interior del marco de la ventana.

**ESPESOR:** Para determinar el espesor, coloque un pedazo de madera en la repisa para hacerlo 1/2" más alto que la parte superior del marco de la ventana de tormentas.

Una firmemente con puntillas o tornillos provistos por el instalador.



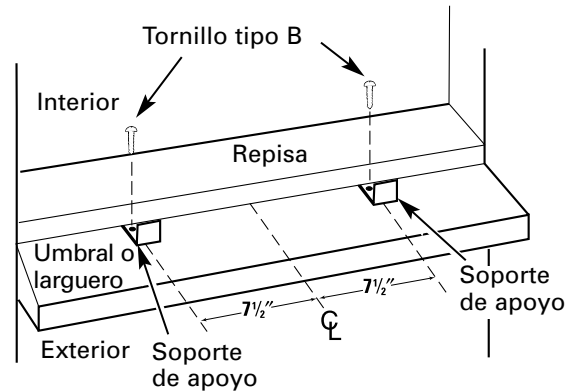
## 3 PREPARE LA VENTANA

- A** Corte el sello del marco de la ventana a lo ancho de ésta y pegue la cinta adhesiva en la parte inferior del marco.



- B** Marque la línea central del umbral. Mida y marque las localizaciones para los soportes de apoyo de 7<sup>1</sup>/<sub>2</sub>" desde ambos lados de la línea de centro.

- C** Coloque 2 soportes de apoyo en el umbral, contra el extremo posterior de la repisa con los agujeros centrados con las marcas de 7<sup>1</sup>/<sub>2</sub>".

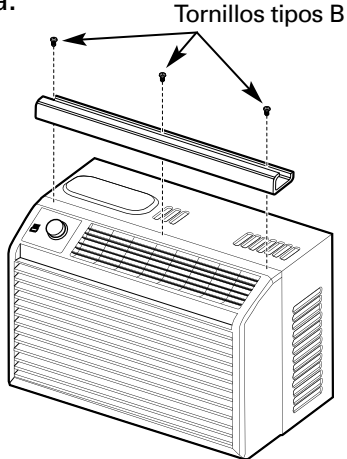


- D** Péguelos al umbral con un tornillo Tipo B a través de cada uno de los soportes de apoyo.

# Instrucciones de instalación

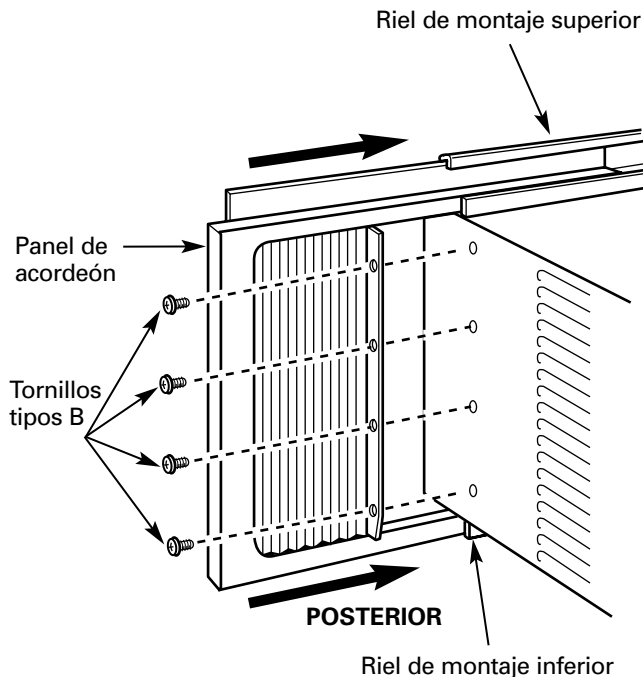
## 4 INSTALE EL RIEL DE MONTAJE SUPERIOR Y LOS PANELES LATERALES DE ACORDEÓN

- A** Instale el riel de montaje superior con 3 tornillos tipos B desde la parte exterior de la caja.



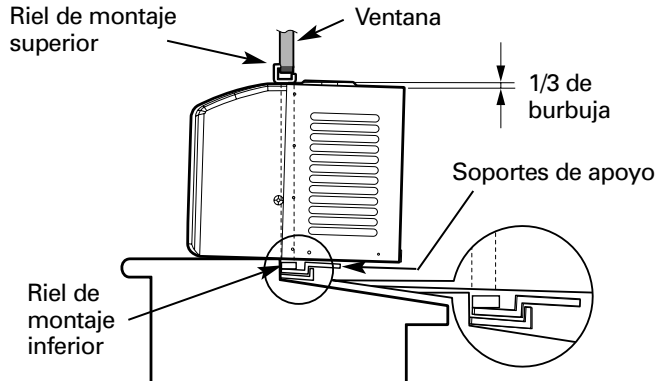
- B** Deslice los paneles de acordeón izquierdo y derecho en los rieles de montaje superior e inferior.

- C** Una los paneles de acordeón a la caja usando 4 tornillos tipos B en cada lado.

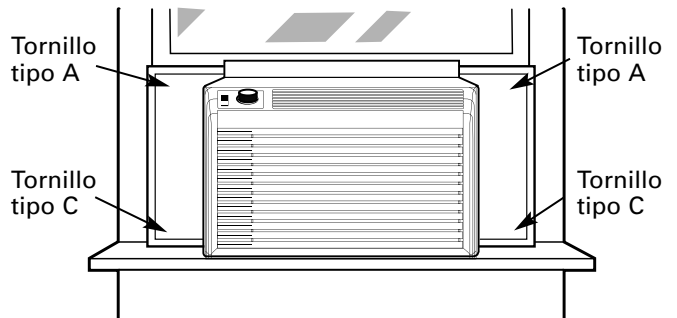


## 5 INSTALE EL ACONDICIONADOR DE AIRE EN LA VENTANA

- A** Centre el acondicionador de aire en la ventana con el riel de montaje inferior entre la repisa de la ventana y los soportes.



- B** Cierre la ventana. Asegúrese de que el marco de la ventana está detrás del riel de montaje superior del acondicionador de aire. Debe estar nivelado o ligeramente inclinado hacia el exterior. Use un nivel; una inclinación de 1/3 de burbuja será la correcta hacia el exterior.

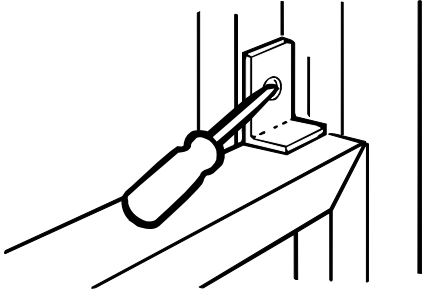


- C** Extienda los paneles de acordeón izquierdo y derecho hacia el marco de la ventana y fije con 2 tornillos tipos A a las esquinas superiores y fije con 2 tornillos tipos C a las esquinas inferiores.

# Instrucciones de instalación

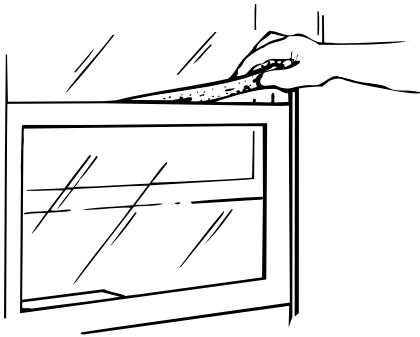
## **6** INSTALE UN SOPORTE DE APOYO Y EL EMPAQUE SUPERIOR DE ESPUMA DE LA VENTANA

- A** Pegue un soporte de apoyo con un tornillo tipo B.



- B** Corte el empaque superior de espuma de la ventana al ancho de la ventana.

- C** Rellene la espuma entre el vidrio y la ventana para evitar que el aire y los insectos entren al cuarto.



# Solucionar problemas.

Ideas para la identificación y solución de problemas: ¡Ahorre dinero y tiempo!

Problema	Causas posibles	Qué hacer	
<b>Seguridad</b> El acondicionador de aire no enciende	El acondicionador de aire está desconectado.	• Cerciórese de que el acondicionador de aire está enchufado totalmente en el tomacorriente.	
	El fusible se disparó / el cortacircuitos se disparó.	• Inspeccione los fusibles / caja de interruptores de la casa y reemplace cualquier fusible o reajuste el interruptor.	
	Interrupción en el suministro eléctrico.	• Si ocurre una interrupción en el suministro eléctrico, mueva el interruptor <b>POWER</b> a la posición <b>OFF (APAGADO)</b> . Cuando la energía se restaure, espere 3 minutos para reiniciar el acondicionador de aire para prevenir que se dispare el compresor por sobrecarga.	
<b>Operación</b>	El dispositivo de interrupción de corriente se ha activado.	• Presione el botón <b>RESET</b> ubicado en el cable de alimentación. • Si el botón <b>RESET</b> no se mantiene en su lugar, no utilice más el acondicionador de aire y comuníquese con un técnico calificado.	
	El flujo de aire está restringido.	• Cerciórese de que no existe ninguna cortina, persiana o mueble bloqueando el frente del acondicionador de aire.	
<b>Instalación</b>	El control de Mode/Temp no está ajustado apropiadamente.	• En los modelos con teclado: En el modo <b>COOL (FRÍO)</b> , presione la tecla <b>DECREASE ▼</b> . • En los modelos con un botón de control, gírelo hacia <b>COOLER (MÁS FRÍO)</b> (el área azul mayor).	
	El filtro de aire está sucio.	• Limpie el filtro cada 30 días por lo menos. Ver la sección de <i>Instrucciones de Operación</i> .	
	La habitación podría haber estado caliente.	• Cuando el acondicionador de aire se enciende, usted necesita darle tiempo para que enfríe la habitación.	
	El aire frío se está escapando.	• Cerciórese de que los registros de la calefacción no están abiertos y se encuentran retornando el aire frío. • Coloque la ventanilla del acondicionador de aire en la posición cerrada.	
	Las bobinas de enfriamiento se congelaron.	• Ver " <b>Acondicionador de aire congelándose</b> " más adelante.	
<b>Solucionar problemas</b> El acondicionador de aire se está congelando	El hielo bloquea el flujo de aire hacia el acondicionador de aire evitando que se enfríe la habitación.	• En modelos con un botón de control, gírelo hacia <b>FAN ONLY (VENTILADOR SOLAMENTE)</b> ó <b>COOL ON (ENFRIADO ENCENDIDO)</b> (colocar en el área azul más pequeña). • En los modelos con teclas, coloque los controles en <b>HIGH (F3) FAN (VENTILADOR ALTO)</b> ó <b>HIGH (F3) COOL (FRÍO ALTO)</b> y ajuste el termostato a una temperatura más alta.	
<b>Servicio al consumidor</b>	El control remoto no funciona	Las baterías están insertadas incorrectamente. Las baterías pueden estar agotadas.	• Inspeccione la posición de las baterías. Deben estar insertadas en la posición indicada, (+) y (-). • Reemplace las baterías.
	Hay agua goteando afuera	Tiempo húmedo y caliente.	• Esto es normal.
Hay agua goteando en el interior de la habitación	El acondicionador de aire no está inclinado hacia afuera.	• Para drenar el agua apropiadamente, cerciórese de que el acondicionador de aire está inclinado ligeramente desde el frente hacia atrás.	
Se acumula agua en la bandeja	La humedad removida del aire y se drena hasta la bandeja.	• Esto es normal por un corto período en áreas con poca humedad; normal por un período de tiempo más postergado en áreas más húmedas.	
La función de <b>SINCRONIZADOR (TIMER)</b> no está funcionando apropiadamente	Una pérdida en el suministro eléctrico o una interrupción ha ocurrido.	• En el caso de una pérdida del suministro eléctrico o una interrupción, la función de <b>SINCRONIZADOR</b> en la unidad se reajustará al ajuste original. Es posible que usted necesite ajustar un tiempo nuevo si así lo desea.	



### **Sonidos de operación normales**

- Quizás escuche un sonido metálico causado por el agua tomada y tirada contra el condensador en los días lluviosos o cuando la humedad es alta. Esta característica de diseño ayuda a remover la humedad y mejora la eficiencia.
- Quizás escuche que el termostato hace clic cuando el compresor hace ciclo entre encendido y apagado.
- El agua se acumula en la bandeja durante días lluviosos o con mucha humedad. El agua podría derramarse y gotear desde el lado externo de la unidad.
- El ventilador podría funcionar aun si el compresor no lo hace.

**Seguridad**

**Operación**

**Instalación**

**Solucionar problemas**

**Servicio al consumidor**

**Notas.**

---

<b>Servicio al consumidor</b>	<b>Solucionar problemas</b>	<b>Instalación</b>	<b>Operación</b>	<b>Seguridad</b>
-------------------------------	-----------------------------	--------------------	------------------	------------------

# Garantía de su acondicionador de aire—garantía limitada de un año.



Grape aquí su recibo.

Se requiere facilitar prueba de la fecha de compra original para hacer un reclamo de garantía.

## Por el período de: **Nosotros reemplazaremos:**

### Un año

A partir de la fecha de la compra original

**Unidad de reemplazo** para cualquier producto que falle debido a defectos en los materiales o en el proceso de fabricación. La unidad de intercambio está garantizada para el resto del período de un año de garantía original del producto.

## In Order to Make a Warranty Claim:

- Empaque su unidad apropiadamente. Recomendamos usar el cartón original y los materiales de empaquetado.
- Regrese el producto al local de ventas donde usted lo compró.
- Incluya en el paquete una copia del recibo de venta u otra evidencia de la fecha original de la compra. Además imprima su nombre y dirección y una descripción del defecto.

## Lo que no está cubierto:

- Instrucciones al cliente. El Manual del propietario proporciona información acerca de las instrucciones de operación y de los controles del usuario.
- Instalación inapropiada. Si usted tiene un problema durante la instalación, o si su acondicionador de aire no tiene la capacidad de enfriamiento que usted necesita, póngase en contacto con nuestro distribuidor o instalador. Usted es responsable de proporcionar las facilidades de conexión eléctrica necesarias.
- Fallo del producto resultante de modificaciones al producto o debido a uso irrazonable incluyendo no proporcionar mantenimiento razonable y necesario.
- Reemplazo de fusibles de la casa o reajuste del sistema de circuitos.
- Daño al producto causado por voltaje inapropiado hacia el equipo, accidentes, incendios, inundaciones o actos de la naturaleza de fuerza mayor.
- Daños incidentales o consecuenciales causados por defectos posibles con este acondicionador de aire.

Esta garantía se extiende al comprador original y cualquier comprador posterior de productos comprados para uso residencial dentro de Estados Unidos.

Algunos estados no permiten la exclusión o las limitaciones de daños incidentales o consecuenciales. Esta garantía da derechos legales específicos, y usted podría tener otros derechos que variarán de estado a estado. Para saber cuáles son sus derechos legales, consulte a la oficina de asuntos del consumidor local o la oficina del Attorney General en su localidad.

**Exclusión de garantías implicadas:** Excepto donde está prohibido o restringido por la ley, no hay garantías, expresas, orales o estatutarias que extiendan más allá de la descripción específica, incluyendo específicamente las garantías implicadas de mercantilidad o propiedad para un propósito particular.

**Garante: General Electric Company, Louisville, KY 40225**

Seguridad

Operación

Instalación

Solucionar problemas

Servicio al consumidor

## Ayuda al Cliente.

---



### *Página Web de GE Appliances*

**[www.GEAppliances.com](http://www.GEAppliances.com)**

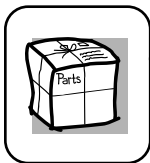
¿Tiene alguna pregunta sobre su electrodoméstico? ¡Pruebe la página Web de GE Appliances 24 horas al día, cualquier día del año! Para mayor conveniencia y servicio más rápido, ya puede descargar los Manuales de los Propietarios, o incluso pedir piezas o catálogos hacer una cita en línea. También puede "Ask Our Team of Experts™" (Preguntar a nuestro equipo de expertos) sobre cualquier cuestión y mucho más...



### *Real Life Design Studio (Estudio de diseño para la vida real)*

**[www.GEAppliances.com](http://www.GEAppliances.com)**

GE apoya el concepto de Diseño Universal—productos, servicios y ambientes que pueden usar gente de todas las edades, tamaños y capacidades. Reconocemos la necesidad de diseñar para una gran gama de habilidades y dificultades físicas y mentales. Para más detalles sobre las aplicaciones de GE Diseño Universal, incluyendo ideas de diseño para la cocina para personas con discapacidades, mire nuestra página Web hoy mismo. Para personas con dificultades auditivas, favor de llamar al 800.TDD.GEAC (800.833.4322).

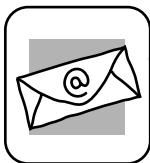


### *Piezas y accesorios*

**[www.GEAppliances.com](http://www.GEAppliances.com)**

Aquellos individuos con la calificación necesaria para reparar sus propios electrodomésticos pueden pedir que se les manden las piezas o accesorios directamente a sus hogares (aceptamos las tarjetas VISA, MasterCard y Discover). Haga su pedido en línea hoy, 24 horas cada día o llamar por teléfono al 800.626.2002 durante horas normales de oficina.

***Las instrucciones descritas en este manual cubren los procedimientos a seguir por cualquier usuario. GE no está no apoya que se le proporcione ningún servicio al acondicionador de aire. Vehementemente recomendamos que usted no intente proporcionar servicio al acondicionador de aire usted mismo.***



### *Póngase en contacto con nosotros*

**[www.GEAppliances.com](http://www.GEAppliances.com)**

Si no está satisfecho con el servicio que recibe de GE, póngase en contacto con nosotros en nuestra página Web indicando todos los detalles así como su número de teléfono o escribanos a:

General Manager, Customer Relations  
GE Appliances, Appliance Park  
Louisville, KY 40225