

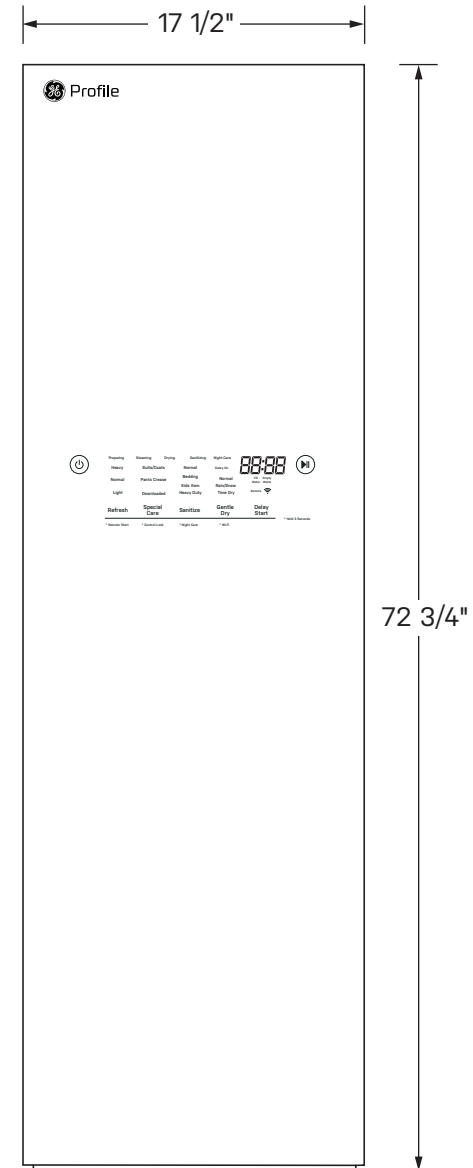
PFH18HSPVMC

GE Profile™ Steam Closet with Fabric Refresh

DIMENSIONS AND INSTALLATION INFORMATION (IN INCHES)

ELECTRIC RATING	
120V	11.0A, 60Hz

INSTALLATION INFORMATION: For complete information, see installation instructions packed with your Steam Closet.



For answers to your Monogram, Café™, GE Profile™ or GE Appliances product questions, visit our website at geappliances.com or call GE Answer Center® Service, 800.626.2000.



Specification Revised 4/24

PFH18HSPVMC

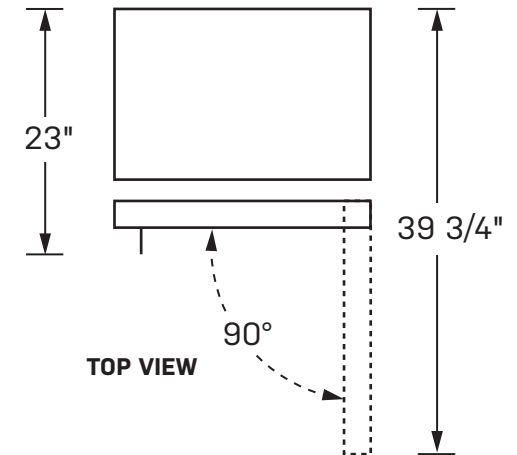
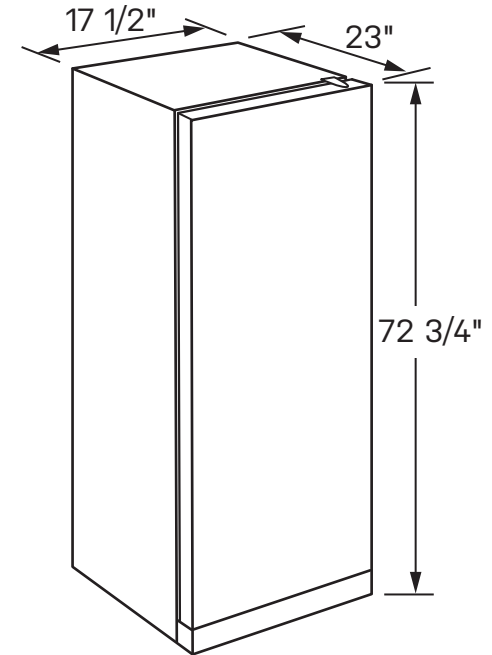
GE Profile™ Steam Closet with Fabric Refresh

INSTALLATION LOCATION:

- A grounded electrical outlet should be located within 2' (61cm) of either side of the appliance.
- Install the appliance on a level floor (Allowable slope under the appliance 1").
- The floor must be level, with a maximum slope of 1" (2.5cm) under the appliance. If the slope is greater than 1" (2.5 cm), the appliance cannot be levelled properly.
- The appliance should be easily accessible if it needs to be serviced.
- Do not install the appliance in an area where it will be exposed to water and/or weather. Failure to follow this warning could result in risk of electric shock, injury, or product damage or malfunction.
- Do not install the appliance on a hollow or flexible platform. Doing so may cause excessive noise and vibration and result in damage or injury if the appliance tips over.

RECOMMENDED INSTALLATION SPACING FOR RECESSED AREA OR CLOSET:

- Minimum clearances 1 3/16" (3cm) on all sides and rear.
- Allow at least 18" (46cm) to open the front door.
- Allow at least 2" (5cm) on both sides and between the back of the appliance and the wall.
- Allow at least 7 3/4" (20cm) between the top of the appliance and any overhanging shelves or cabinets.



PFH18HSPVMC

GE Profile™ Steam Closet with Fabric Refresh

FEATURES AND BENEFITS

Refresh and Dewrinkle – The GE Profile™ Steam Closet uses the gentle power of steam to penetrate deep into clothing fibers to refresh garments and help remove wrinkles.

Remove Tough Odors – Steam technology reduces odors that cling to shirts, jackets, shoes and common household fabrics, saving a trip to the dry cleaners.

Steam Sanitize – Sanitize and reduce at least 99% of bacteria and fungi in textiles and garments with innovative laundry technology that works to deeply refresh fibers.

Gentle Drying System – The heat pump system dries at lower temperatures and without harsh tumbling, delivering a gentle dry cycle to your most cherished garments.

Quiet by Design – This laundry steam closet is quiet by design and can be placed anywhere in your home.

Pants Creaser – A dedicated door panel is designed to maintain pants creases.

Fewer Trips To The Dry Cleaners – Reduce the need for dry cleaning by refreshing seasonal clothing or adding a gentle scent to your favorite fabrics at home in just a few minutes.

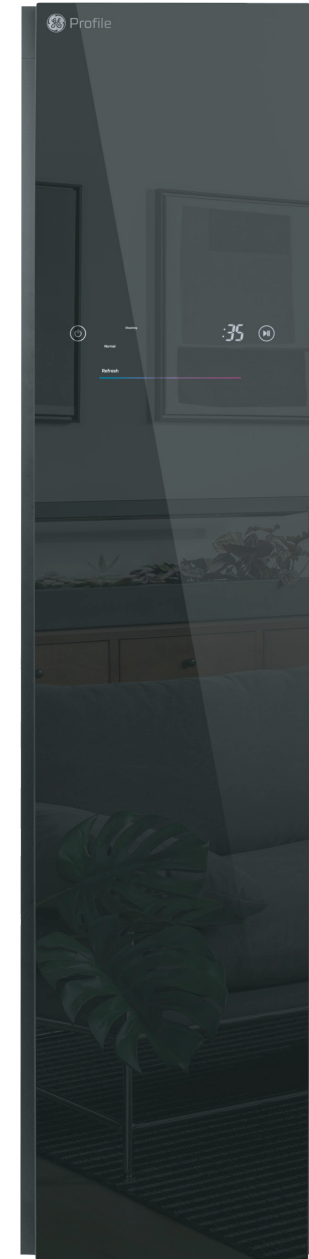
Gliding Hanger System – Hangers glide from side to side, improving air circulation and ensuring steam penetrates fabrics evenly for wrinkle reduction.

Easy Installation & No Plumbing – Removable water reservoirs are engineered to easily fill and drain. Plus only a standard 120v is needed for installation, making the steam closet compatible to be used in any room of your home.

Mirrored Carbon Finish – Reflective glass door finish is as beautiful as it is functional. The sleek design is complementary to any room it's added.

Smart Features Powered by SmartHQ™ – Mobile monitoring with SmartHQ makes it easy to check time remaining and the status of your Steam Closet from anywhere.

Coat or Towel Warmer – The steam closet is engineered to double as a convenient place to warm coats and towels.



For answers to your Monogram, Café™, GE Profile™ or GE Appliances product questions, visit our website at geappliances.com or call GE Answer Center® Service, 800.626.2000.