



builders' lives easier • first choice of builders • 2003 product catalog • first choice of consumers • leading-edge e-commerce

GE Profile™ and GE® Appliances

Contract Sales



We bring good things to life.





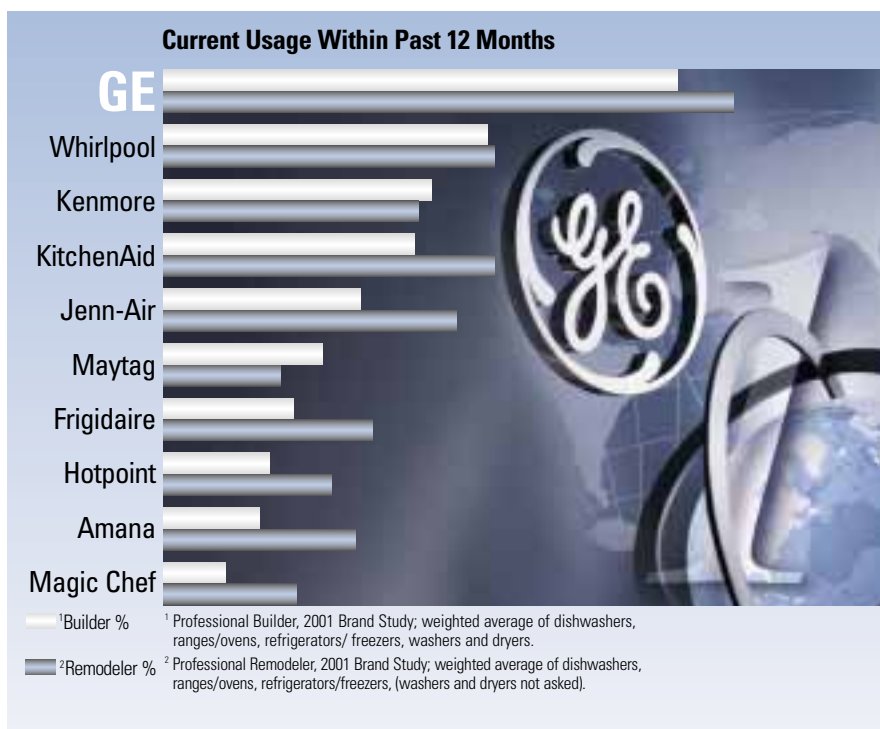
Builders know and trust GE.

For the seventh year in a row, GE has been named the first choice of builders and remodelers.

According to a recent Professional Builder* survey, GE is the leading source of appliances. This marks the seventh consecutive year GE Appliances was named the top choice of builders and remodelers across the country. The survey findings reflect our ongoing commitment to provide our customers with superior products and support. **Professional Builder Brand Use Study, 2001*



Today, GE continues to build on more than a century of innovation with Six Sigma, our companywide, customer-focused approach to quality. Each appliance is rigorously tested and retested, with the goal of near-perfection. When you choose GE, you can count on us to go the extra mile to make your life easier.



GE is the #1 choice of consumers, too!

GE is the appliance brand most often mentioned among the brands rated as offering the best products and services in America.

Source: Louis Harris Poll-2002





GEAppliances.com



Table of Contents

Product	Page	Specifications and Installation
Refrigerators		
Side-By-Side Refrigerators	10-23	160-165
Top-Freezer No-Frost Refrigerators	24-33	166-171
Cycle and Manual Defrost Refrigerators	33	172
Wine Cooler	33	173
Compact Refrigerators	33	173
Bottom-Freezer Refrigerators	34-37	174-175
Freezers	38-39	176
Refrigeration Trim Kits		177
Built-In Cooking Products		
Advantium™ Ovens	40-45	178-179
Wall Ovens	46-58	180-188
Warming Drawers	59	189
Cooktops	60-71	190-197
Slide-In/Drop-In Ranges	72-79	198-204
Free-Standing Cooking Products		
Electric Ranges	80-91	205-207
40" Electric Ranges	91	207
Gas Ranges	92-100	208-210
Ventilation Options	101-103	211-214
Microwave Ovens		
Over-The-Range	104-113	215-218
Wall Ovens	107	216
Countertop	114-116	219-220
Countertop Microwave Optional Oven Trim Kits	117	221
Dishwashers		
Built-In Dishwashers	118-126	222-224
Convertible Dishwashers	127	225
Undersink and 18" Built-In Dishwashers	128	225-226
Dishwasher Accessories		227
Disposers and Compactors	129	228
Clothes Care		
Washers and Dryers	130-137	229-231
Front-Loading Washers and Dryers	138-139	233
Dryer Exhausting and Installation Information		232, 234-235
Spacemaker® Washers and Dryers	140-141	236-237
Commercial Washers and Dryers	141-143	237-239
Water Systems		
Softening Systems	144-145	241
Filtration Systems	146-147	240-241
Air Conditioning		
Air Conditioning	148-149	
Vertical Packaged Terminal Air Conditioners	150	242
Zoneline®	151-152	243-244
Built-In "J" Series	153-154	245-246
Warranty Information	156-159	
Nomenclatures	247-251	
GE Business	251	

On the cover

Cabinetry:

Brookhaven® by
Wood-Mode Fine Custom Cabinetry
Kreamer, PA 17833
800-635-7500
www.wood-mode.com
Style: Colony
Finish: Natural cherry

Plumbing:

KOHLER Co.
Kohler, WI 53044
800-4-KOHLER
www.kohler.com
Sink: K-3332 Undertone™ Sink
Faucet: K-8762 Essex Kitchen Faucet

Counters:

DuPont™ Surfaces
Wilmington, DE 19880
877-229-3935
www.zodiaq.com
Zodiaq® Quartz Surfaces
Space Black

Porcelain Tile:

Crossville Porcelain Stone, USA
Crossville, TN 38557
800-221-9093
www.crossville-ceramics.com
Backsplash: AV98 Lava Rock, Milestone
Mosaics (field), Herbs de Provence polished
nickel silver, Questech Metals (inserts & trim)

Lighting:

The Basic Source, Inc.
Rohnert Park, CA 94928
707-586-5483
www.basicsourcelighting.com
Style: Pendant, No. 22-320-283/K
Finish: Antique ivory genuine alabaster, brushed steel

Tech Lighting, LLC
Skokie, IL 60076
847-410-4400
www.techlighting.com
Style: Kabel Lite, K-Hello, 5.5
Finish: Brushed aluminum

Fireplace Stone:

Cultured Stone®
Napa, CA 94559
800-255-1727
www.culturedstone.com
Style: Country LedgeStone CSV-20008 (field)
Hearthstone CSH-3084 (hearth)
Finish: Aspen (field)
Marsh (hearth)



GE makes builders' lives easier.

GE gives you all the tools you need to manage and grow your business.



GE CustomerNet

Easy, efficient way to do business.

gcustomernet.com The most comprehensive collection of business to business Internet tools developed by an appliance manufacturer.

- Several online ordering options, including direct web purchasing, electronic transfer of your purchase orders and industry exclusive package ordering.
- Instant access to invoices, proof-of-delivery forms, purchase histories and more.
- Quick, easy parts ordering and service scheduling.
- Brochure development and customization.
- Wireless palmtop and cellular phone functions.



GE Selection Center

It's profitable. It's easy. It's efficient.

geselectioncenter.com Interactive Web site customized to help you provide a better buying experience for your homebuyer. Both a valuable resource and virtual showroom, this site is the easiest way to sell options and upgrades and improve profitability.



GE Appliances Web Site

Consumer product information.

GEAppliances.com Award-winning Web site offers abundant information and interactive capabilities, so you can find everything you need faster than ever before! Search by brand, category or model number.



GEAppliances.com

Get all the information you need with a simple phone call or press of a button.



GE Answer Center®
Saves you time.

800.626.2000 This 24-hour-a-day, 7-day-a-week service provides answers on product features, installation procedures, service and more.



Consumer Service
Peace of mind, everywhere.

800.GE.CARES Our network of 1300 GE employed factory-trained technicians and 8000 authorized Customer Care service centers extends across the U.S.



Quick Specs
Project planning made simple.

800.432.3729 Product features and dimensions are faxed to you FREE, wherever and whenever you need them.



Productivity Solutions
Anytime access.

- Intelligent character recognition gives you a faster, easier way to place fax orders.
- Intelligent voice recognition allows you to check pricing and view account information—24 hours a day, 7 days a week.



Distribution Services
Ontime delivery you can count on.

Our nationwide distribution system takes a sophisticated, computer-based approach to managing availability and delivery. From full-line distribution centers, we ship to customers and Authorized Builder Distributors or to more than 100 Scheduled Delivery Service sites for local delivery.



GE Sales Professionals and Authorized Distributors
Dedicated team, determined focus.

Our sales force and services have been expanded and enhanced to better focus on you, our Home Products and Services customer. We give you more choices than ever—and more ways to sharpen your competitive edge.





Appliances that make your kitchens stand out.

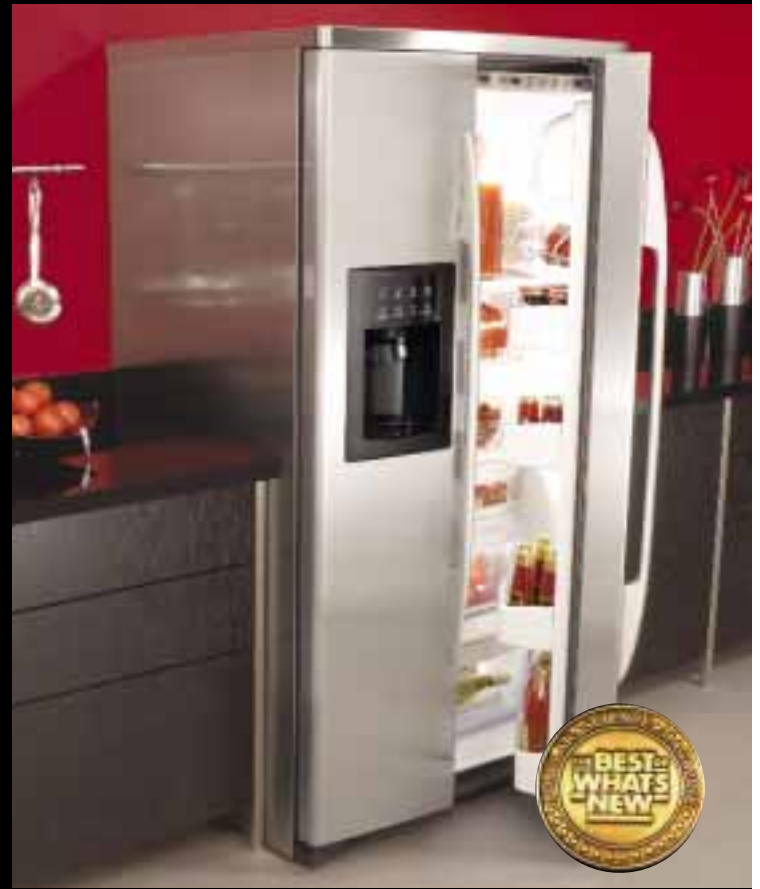
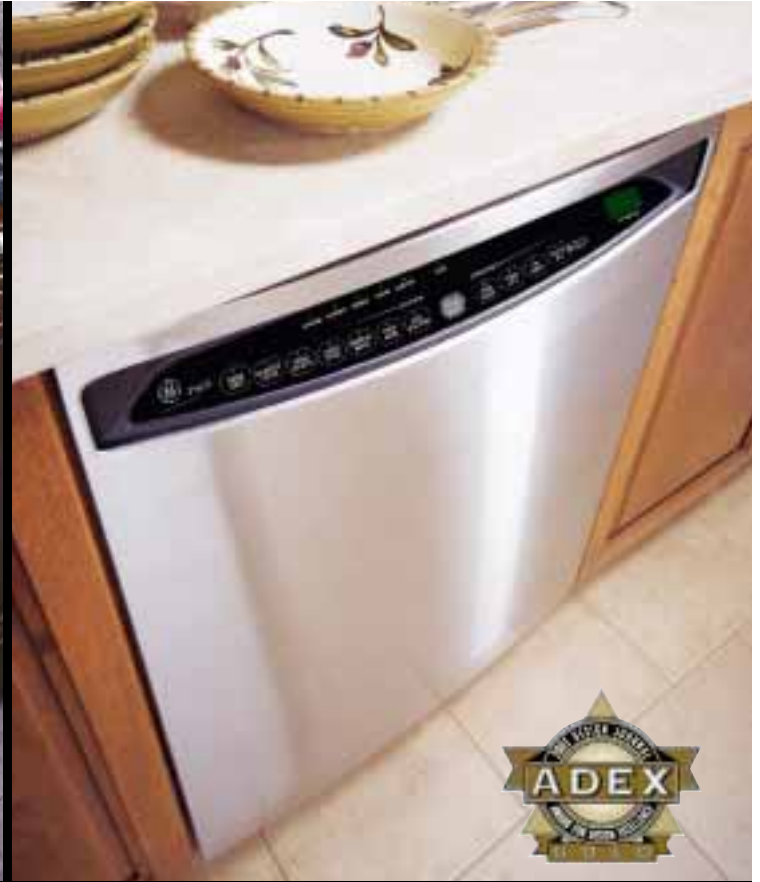
Now, more than ever, GE Profile™ leads the way in dramatic style and innovation.

Today's consumers want more sophistication, not just in terms of style, but also in terms of technology. Innovatively designed inside and out, new GE Profile appliances represent the ultimate in sophistication. Bold curves and clean lines make a dramatic statement, while award-winning technology saves time. And special appliance touches like sculptured handles tie everything beautifully together. This combination of high style and performance makes GE Profile appliances the perfect choice for all your kitchens.

Sophisticated Styling.

Dramatic Curves.





Award-Winning Technology.





Universal Design by GE.

Kitchens for people of all ages and abilities.

Universal Design is simply good design. It's about making homes as appealing as possible, to as many people as possible.

Universal Design means more room to move.

Universal Design creates a space that's inviting and functional. In the kitchen, appliances like our GE Profile™ built-in wall ovens and CustomStyle™ refrigerators allow plenty of space for working and easy maneuvering, even in a wheelchair.

Universal Design makes life easier for everyone.

Because Universal Design focuses on people, accessibility and ease of use should be given careful consideration. Many GE Profile and GE® appliances cater to special needs with user-friendly features like large, easy-to-read graphics and upfront controls.

Universal Design accommodates special needs and personal preferences.

Universal Design not only makes today's living spaces more accessible, but it also makes them more attractive. GE offers a wide variety of style options and configurations, so you can select the right appliances for the needs—and preferences—of the household.



Wall ovens, cooktops, microwaves and dishwashers can be installed at varying heights to maximize accessibility.





GEAppliances.com



GE Profile dishwashers make operation easy with user-friendly, upfront controls that respond to a light touch.



A number of GE Profile refrigerators feature the LightTouch! dispenser, which conveniently delivers water and ice through the door.



GE Profile front-loading washers and dryers put laundry within convenient reach.

GE Profile and GE appliances provide the accessible features people need and the styles they want.





The Ultimate in Refrigeration.™

GE Profile Arctica™ refrigerators bring a breath of fresh air to your kitchen and your life. The stylish exterior makes a dramatic statement, and the multilevel interior makes versatile use of every inch of storage space. In the fresh food compartment, slide-out shelves simplify loading and unloading. In the freezer compartment, the ice system is uniquely designed to allow more room for more food. In addition to innovative storage features, both compartments offer a range of cooling capabilities for the ultimate in flexibility and performance.



CustomCool™ technology
Exclusive CustomCool technology gives you the ability to chill and thaw much faster than ever before possible. It also lets you select just-right temperatures for a variety of fresh foods.



ClimateKeeper™ system
Exclusive ClimateKeeper system helps preserve refrigerator contents by providing consistent cooling.



Contoured style
Arctica's clean contours and lines are perfectly compatible with any kitchen setting.



Integrated Ice™ system
The icemaker and ice bucket are integrated in the freezer cabinet, not the freezer door, to free up valuable storage space. The bucket pulls out and down, providing easy access to cubed ice.





GEAppliances.com

GE Profile Arctica refrigerators offer exclusive cooling capabilities, dramatic styling and flexible features.

Refrigeration

Cooking Products

Microwave Ovens

Dishwashers

Clothes Care

Water Systems

Air Conditioning





GE Profile Arctica™ Side-By-Side Refrigerators

Specialized settings let you customize cooling for a variety of foods.

GE Profile Arctica side-by-side refrigerators include a number of high-performance capabilities. Perhaps the most notable is our exclusive CustomCool™ technology. A fresh take on cooling, this bottom pan feature offers three settings for different lifestyle needs:

ExpressChill™ setting chills foods and beverages in minutes, not hours.

ExpressThaw™ setting thaws meats and other freezer items in hours, not days.

SelectTemp™ setting allows you to select just-right temperatures for specific foods.

Using these specialized settings, you are able to avoid the last-minute rush and simply relax. Whether the occasion calls for impromptu hors d'oeuvres for 20 or filet mignon for two, CustomCool takes care of everything.



It chills!



It thaws!



It preserves!



It fully extends!



Multiple storage levels and options mean increased flexibility and convenience.





GE Profile Arctica™ Side-By-Side Models featuring CustomCool™ technology

These models include • Contoured doors • ClimateKeeper™ system • TurboCool™ setting • Upfront electronic touch temperature controls • Digital temperature display • CustomCool technology with full-extension drawer • FrostGuard™ technology • In-the-door beverage rack • Integrated Ice™ system • SmartWater™ Plus filtration system • Quick Ice™ feature • Water filter indicator light • LightTouch! tall dispenser with child lock and door alarm • Premium quiet design • Integrated shelf support system • QuickSpace™ shelf • Two slide-out, spillproof glass shelves • ClearLook™ adjustable door bins • Gallon door storage • Slide 'n Store™ full-extension freezer basket • Slide 'n Store freezer basket • Tilt-out wire freezer door bins • Contoured Profile handles • Tri-level lighting • NeverClean™ condenser **Note: bold = feature upgrade from previous model**



Beverage rack is conveniently located inside the refrigerator door to increase flexibility and free up valuable shelf space.

ONLY GE HAS IT!



ClimateKeeper system combines a multifold air system, electronic sensors and electronic touch controls to keep temperatures consistent and help preserve refrigerator contents.

ONLY GE HAS IT!



Tall LightTouch! dispenser fills sport bottles, pitchers, even blenders! Delivers chilled filtered water, crushed or cubed ice.



Refreshment center provides easy access to frequently used items.

Not all features available on all models. For additional features, specifications and color availability, refer to page 160.



GE Profile™ Refreshment Center and Dispenser Models

- PSS26NHP** • 26.8 cu. ft. capacity
- PSS29NHP** (not shown) • **28.7 cu. ft. capacity**
- PSS26SHP Stainless steel** (not shown) • 26.8 cu. ft. capacity • Sculptured Stainless-look handles and black dispenser

Side-By-Sides

Cooking Products

Microwave Ovens

Dishwashers

Clothes Care

Water Systems

Air Conditioning



GE Profile Arctica™ Side-By-Side Models featuring CustomCool™ technology

These models include • CustomCool technology with full extension drawer • ClimateKeeper™ system • TurboCool™ setting • Upfront electronic touch temperature controls • Digital temperature display • FrostGuard™ technology • In-the-door beverage rack • Integrated Ice™ system • Premium quiet design • Integrated shelf support system • QuickSpace™ shelf • Two slide-out, spillproof glass shelves • ClearLook™ adjustable door bins • Gallon door storage • Slide 'n Store™ full-extension freezer basket • Slide 'n Store freezer baskets • Tilt-out wire freezer door bins • Contoured doors • Tri-level lighting • NeverClean™ condenser

Dispenser models include • SmartWater™ Plus filtration system • Quick Ice™ feature • Water filter indicator light • LightTouch! tall dispenser with child lock and door alarm **Note: bold = feature upgrade from previous model**



ONLY GE HAS IT!

CustomCool technology chills food and beverages in minutes (not hours), thaws frozen food in hours (not days) and allows you to select just-right temperatures for fruits and vegetables.



ONLY GE HAS IT!

ClimateKeeper system combines a multifold air system, electronic sensors and electronic touch controls to keep temperatures consistent and help preserve refrigerator contents.



ONLY GE HAS IT!

Slide 'n Store freezer basket provides convenient storage for taller items, like pizza boxes.



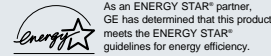
Refreshment center provides easy access to frequently used items.

14



GE Profile Dispenser Models

PSW26SGP Stainless steel
• 25.5 cu. ft. capacity • **Stainless-wrapped exterior** • Sculptured Stainless-look handles and black dispenser



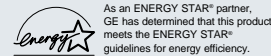
As an ENERGY STAR® partner, GE has determined that this product meets the ENERGY STAR® guidelines for energy efficiency.

(Model PSW26SGP exceeds ENERGY STAR standards by more than 5%)



GE Profile Dispenser Models

PSS26SGP Stainless steel
• 25.5 cu. ft. capacity • Sculptured Stainless-look handles and black dispenser
PSS27SGP (not shown)
• 26.6 cu. ft. capacity • Sculptured Stainless-look handles and black dispenser
PSS26NGP (not shown)
• 25.5 cu. ft. capacity • Contoured Profile handles
PSF26NGP High-gloss finish (not shown)
• 25.5 cu. ft. capacity • Contoured Profile handles
PSS27NGP (not shown)
• 26.6 cu. ft. capacity • Contoured Profile handles
PSS29NGP (not shown)
• 28.6 cu. ft. capacity • Contoured Profile handles



As an ENERGY STAR® partner, GE has determined that this product meets the ENERGY STAR® guidelines for energy efficiency.

(Models PSF26NGP, PSS26SGP and PSS26NGP exceed ENERGY STAR standards by more than 15%)

Not all features available on all models. For additional features, specifications and color availability, refer to page 160.



GE Profile Arctica Side-By-Side Models

These models include • Contoured doors • ClimateKeeper system • TurboCool setting • Upfront electronic touch temperature controls • FrostGuard technology • **In-the-door beverage rack** • **Integrated Ice system** • SmartWater Plus filtration system • **Quick Ice feature** • Water filter indicator light • LightTouch! tall dispenser with child lock and door alarm • Premium quiet design • Integrated shelf support system • **QuickSpace shelf** • Two slide-out, spillproof glass shelves • ClearLook adjustable door bins • Gallon door storage • Wire slide-out freezer baskets • **Tilt-out wire freezer door bins** • **Contoured Profile handles** • Dual-level lighting • NeverClean condenser

Note: bold = feature upgrade from previous model



Quick Ice feature provides up to 50% more ice than normal settings for parties and social gatherings.

ONLY GE HAS IT!



Tall LightTouch! dispenser fills sport bottles, pitchers, even blenders! Delivers chilled filtered water, crushed or cubed ice.



Premium quiet design—GE's best noise reduction system.

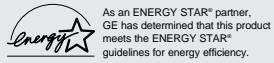


TurboCool™ setting helps the refrigerator quickly restore the temperature when groceries or heated foods are placed inside.



GE Profile Dispenser Models

PSS26MGP
• 25.5 cu. ft. capacity



As an ENERGY STAR® partner, GE has determined that this product meets the ENERGY STAR® guidelines for energy efficiency.

(Model PSS26MGP exceeds ENERGY STAR standards by more than 5%)

Not all features available on all models. For additional features, specifications and color availability, refer to page 160.

Side-By-Sides

Cooking Products

Microwave Ovens

Dishwashers

Clothes Care

Water Systems

Air Conditioning





GE Profile Arctica CustomStyle™ Side-By-Side Refrigerators

Installed trim Side-by-side models

**Designed for today's
discriminating consumers.**

CustomStyle refrigerators with installed trim accept stainless steel or acrylic panels in white, black or bisque, all of which can be ordered from GE. To achieve a custom look, you can order wood panels from your cabinetmaker. You'll discover all kinds of ways to enhance your kitchen.



Optional Acrylic Panels

Choose stainless steel panels or acrylic panels in white, bisque or black.



Custom Wood Panels

Make and install your own custom wood panels to accent cabinetry.

Dispenser Models



PSI23NGP*
Shown with optional black acrylic panels. Available in white, bisque or black.



PSI23NGP*
Shown with custom wood panels. Available in white, bisque or black.



PSI23MGP
Shown with optional white acrylic panels. Available in white, bisque or black.



PSI23MGP
Shown with custom wood panels. Available in white, bisque or black.



PSI23NCP
Shown with optional white acrylic panels. Available in white, bisque or black.



PSI23NCP
Shown with custom wood panels. Available in white bisque, or black.

Optional collar trim: adding the final touch.

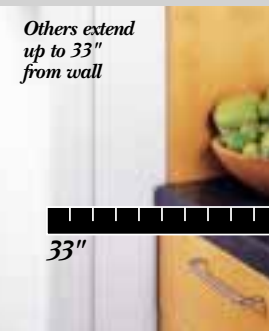
The optional collar trim is just another way GE lets you integrate our CustomStyle refrigerators into your kitchen decor. Available in stainless steel, white, bisque and black, this trim frames the refrigerator facade, adding to the finished look of a built-in, custom kitchen.

Collar trim: TRMBISSS, TRMBISWW, TRMBISCC, TRMBISBB.



As an ENERGY STAR® partner, GE has determined that this product meets the ENERGY STAR® guidelines for energy efficiency.

*ENERGY STAR® models PSH23NGP and PSH23SGP also available.



Side-By-Side Refrigerators

Because they install nearly flush with the cabinets, these refrigerators save floor space. They don't stick out into the kitchen!





Trimless Side-by-side models

Installation made easy, simply slide in.

The trimless CustomStyle units install by simply sliding into—way into—the space between cabinets. CustomStyle refrigerators, because they align with counters, instantly look built-in, and there's nothing to attach or build. (Available in stainless steel, white, bisque and black.)

Dispenser Models



PSC23SHP
Stainless steel with contoured black handles.



PSC23NHP
Available in white, bisque or black.



PSC23SGP
Stainless steel with sculptured Stainless-look handles.



PSC23NGP
Available in white, bisque or black.



PSI23SGP*
Stainless steel with full-length stainless handles.

Dispenser Models



PSC23MGP
Available in white, bisque or black.

Non-Dispenser Model



PSI23SCP
Stainless steel with full-length stainless handles.



GE Profile Arctica CustomStyle™ Side-By-Side Models featuring CustomCool™ technology

These models include • CustomCool technology • ClimateKeeper™ system • TurboCool™ setting • Upfront electronic touch temperature controls • Digital temperature display • FrostGuard™ technology • In-the-door beverage rack • Integrated Ice™ system • Premium quiet design • Integrated shelf support system • QuickSpace™ shelf • Two slide-out, spillproof glass shelves • ClearLook™ adjustable door bins • Gallon door storage • Slide 'n Store™ full-extension freezer basket • Slide 'n Store freezer basket • Tilt-out wire freezer door bins • Tri-level lighting • NeverClean™ condenser

Dispenser models include • SmartWater™ Plus filtration system • Quick Ice™ feature • Water filter indicator light • LightTouch! dispenser with child lock and door alarm

Note: bold = feature upgrade from previous model

ONLY GE HAS IT!



ClimateKeeper system combines a multiflow air system, electronic sensors and electronic touch controls to keep temperatures consistent and help preserve refrigerator contents.

ONLY GE HAS IT!



The ExpressThaw™ setting in the exclusive CustomCool bin safely thaws meats and other freezer items in hours, not days!



Refreshment center provides easy access to frequently used items.

ONLY GE HAS IT!



Slide 'n Store freezer basket provides convenient storage for taller items, like pizza boxes.



GE Profile™

Trimless Refreshment Center Dispenser Models

PSC23SHP Stainless steel

• 22.7 cu. ft. capacity • Trimless rounded doors, sculptured Profile handles and black dispenser

PSC23NHP (not shown)

• 22.7 cu. ft. capacity • Trimless rounded doors and color-matched contoured stainless-look handles and dispenser

Trimless Dispenser Models

PSC23NGP (not shown)

• 22.6 cu. ft. capacity • Trimless rounded doors and color-matched contoured Profile handles and dispenser

PSC23SGP Stainless steel (not shown)

• 22.6 cu. ft. capacity • Trimless rounded doors, sculptured Stainless-look handles and black dispenser



GE Profile

Installed Trim Dispenser Model

PSI23NGP

• 22.6 cu. ft. capacity • Squared doors • Full-length color-matched handles

PSH23NGP (not shown)

• 22.6 cu. ft. capacity • Squared doors • Full-length color-matched handles

Trimless Dispenser Models

PSI23SGP Stainless steel (not shown)

• 22.6 cu. ft. capacity • Squared doors, full-length handles with stainless steel appearance and black dispenser

PSH23SGP (not shown)

• 22.6 cu. ft. capacity • Squared doors, full-length handles with stainless steel appearance and black dispenser

Installed Trim Non-Dispenser Model

PSI23NCP (not shown)

• 22.6 cu. ft. capacity • Squared doors • Full-length color-matched handles

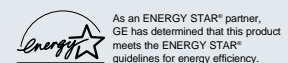
Trimless Non-Dispenser Model

PSI23SCP Stainless steel (not shown)

• 22.6 cu. ft. capacity • Squared doors, full-length handles with stainless

PSI23NGPWW
Shown with optional white acrylic panels.

Not all features available on all models.
For additional features, specifications and color availability, refer to page 161.



(Models PSH23NGP and PSH23SGP)



GE Profile Arctica CustomStyle Side-By-Side Models

These models include • ClimateKeeper™ system • TurboCool™ setting • Upfront electronic touch temperature controls • FrostGuard™ technology • **In-the-door beverage rack** • **Integrated Ice™ system** • SmartWater™ Plus filtration system • **Quick Ice™ feature** • Water filter indicator light • LightTouch! dispenser with child lock and door alarm • **Premium quiet design** • Integrated shelf support system • **QuickSpace™ shelf** • Two slide-out, spillproof glass shelves • **ClearLook™ adjustable door bins** • Gallon door storage • Wire slide-out freezer baskets • **Tilt-out wire freezer door bins** • Dual-level lighting • NeverClean™ condenser

Note bold = feature upgrade from previous model



ClimateKeeper system combines a multifold air system, electronic sensors and electronic touch controls to keep temperatures consistent and help preserve refrigerator contents.



TurboCool setting helps the refrigerator quickly restore the temperature when groceries or heated foods are placed inside.



Upfront electronic touch temperature controls are easy to see and set.



FrostGuard technology reduces freezer burn by monitoring door openings and usage, defrosting only as needed.



GE Profile Trimless Dispenser Model PSC23MGP

• 22.7 cu. ft. capacity • Trimless rounded doors and color-matched contoured Profile handles and dispenser



GE Profile Installed Trim Dispenser Model PSI23MGP

• 22.7 cu. ft. capacity • Squared doors, full-length color-matched handles



PSI23MGPCC
Shown with custom wood panels.*
*Wood panels not supplied by General Electric.

PSI23MGPWW
Shown with optional white acrylic panels.

Not all features available on all models.
For additional features, specifications and color availability, refer to page 161.

Side-By-Sides

Cooking Products

Microwave Ovens

Dishwashers

Clothes Care

Water Systems

Air Conditioning



GE® Side-By-Side “L” Series Models: 25 cu. ft.

These models include • Upfront electronic touch temperature controls • FrostGuard™ technology • **TurboCool™ setting** • SmartWater™ Plus filtration system • **LightTouch! tall dispenser with child lock and door alarm** • **Integrated Ice™ system** • Water filter indicator light • **Integrated shelf support system** • **QuickSpace™ shelf** • Two adjustable slide-out, spillproof glass shelves • Snack pan • Adjustable humidity vegetable/fruit crisper • **Three wire slide-out freezer baskets** • Deluxe quiet design • Dual-level lighting • NeverClean™ condenser

Note: bold = feature upgrade from previous model



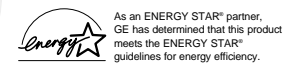
TurboCool setting helps the refrigerator quickly restore the temperature when groceries or heated foods are placed inside.



Upfront electronic touch temperature controls are easy to see and set.



GE
Dispenser Models
GSS25LGP
• 24.5 cu. ft. capacity
GSS25LSP Stainless steel
(not shown)
• 24.5 cu. ft. capacity • Black handles and black dispenser



(Models GSS25LGP, GSS25LSP)

GE Side-By-Side “S” Series Models: 25 to 22 cu. ft.

These models include • Upfront electronic touch temperature controls • FrostGuard technology • SmartWater Plus filtration system • **LightTouch! tall dispenser with child lock** • Water filter indicator light • Two adjustable slide-out, spillproof glass shelves • Snack pan • Adjustable humidity vegetable/fruit crisper • Adjustable temperature deli pan • Adjustable gallon door storage • Four wire freezer shelves, three adjustable • One wire slide-out freezer basket • Deluxe quiet design • Dual-level lighting • NeverClean condenser • Stainless steel handles and black dispenser trim **Note: bold = feature upgrade from previous model**



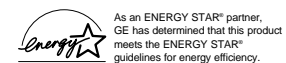
Convenient upfront electronic temperature controls are easy to see and set.



Gallon door storage accommodates gallon containers for quick access to most-used items.



GE
Dispenser Models
GSS25SGP Stainless steel
• 24.9 cu. ft. capacity
GSH25SGP Stainless steel
(not shown)
• 24.9 cu. ft. capacity
GSS22SGP Stainless steel
(not shown)
• 21.8 cu. ft. capacity
GSH22SGP Stainless steel
(not shown)
• 21.8 cu. ft. capacity



(Models GSH25SGP and GSH22SGP)

Not all features available on all models. For additional features, specifications and color availability, refer to page 164.



GE Side-By-Side “K” Series Models: 25 to 22 cu. ft.

These models include • Upfront electronic touch temperature controls • FrostGuard technology • **SmartWater Plus filtration system** • **LightTouch!** tall dispenser with child lock • **Water filter indicator light** • **Two adjustable slide-out, spillproof glass shelves** • **Snack pan** • **Adjustable humidity vegetable/fruit crisper** • Adjustable temperature deli pan • Adjustable gallon door storage • Four wire freezer shelves, three adjustable • **One wire slide-out freezer basket** • Deluxe quiet design • **Dual-level lighting** • NeverClean condenser

Note: bold = feature upgrade from previous model



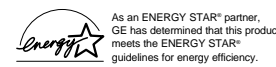
SmartWater Plus filtration system provides clean, better-tasting water and ice through the LightTouch! dispenser. (1 year/500 gallons)



ONLY GE HAS IT!
FrostGuard technology reduces freezer burn by monitoring door openings and usage, defrosting only as needed.



GE
Dispenser Models
GSH25KGP
• 24.9 cu. ft. capacity
GSH22KGP (not shown)
• 21.8 cu. ft. capacity



(Models GSH25KGP and GSH22KGP)

Side-By-Sides

Cooking Products

Microwave Ovens

Dishwashers

Clothes Care

Water Systems

Air Conditioning

GE Side-By-Side “W” Exclusive Builder Series Models: 25 to 22 cu. ft.

These models include • Upfront electronic touch temperature controls • FrostGuard technology • **SmartWater Plus filtration system** • **LightTouch!** tall dispenser • **Water filter indicator light** • **Three adjustable slide-out, spillproof glass shelves** • Adjustable temperature deli pan • **Adjustable humidity vegetable/fruit crisper** • Gallon door storage • **Adjustable humidity Snack pan** • **One wire slide-out freezer basket** • Deluxe quiet design • **Premium handles** • Dual-level lighting • NeverClean condenser • In the door can rack

Note: bold = feature upgrade from previous model



Slide-out, spillproof shelves help contain spills for ease of cleaning.



SmartWater Plus filtration system with indicator light provides clean, better-tasting water and ice through the LightTouch! dispenser. (1 year/500 gallons)



GE
Dispenser Models
GSS25WGP
• 24.9 cu. ft. capacity
GSS22WGP (not shown)
• 21.8 cu. ft. capacity
GSL25WGP
CleanSteel™ (not shown)
• 24.9 cu. ft. capacity
GSL22WGP
CleanSteel (not shown)
• 21.8 cu. ft. capacity

Not all features available on all models. For additional features, specifications and color availability, refer to page 164.



GE® Side-By-Side “J” Series Models: 25 to 22 cu. ft.

These models include • Upfront electronic temperature controls • FrostGuard technology • LightTouch! tall dispenser • **Three adjustable spillproof glass shelves** • Sealed crisper • Adjustable temperature deli pan • **Adjustable gallon door storage** • Deluxe quiet design • NeverClean condenser **Note: bold = feature upgrade from previous model**



Spillproof shelves help contain spills for ease of cleaning.



SmartWater filtration system provides clean, better-tasting water and ice through the LightTouch! dispenser. (6 months/300 gallons)



GE Non-Filtration Models

GSS25JEP

• 24.9 cu. ft. capacity

GSS22JEP (not shown)

• 21.8 cu. ft. capacity

Dispenser Models

GSH25JFP (not shown)

• 24.9 cu. ft. capacity

GSL25JFP CleanSteel™

(not shown)

• 24.9 cu. ft. capacity

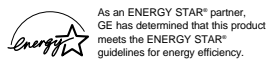
GSH22JFP (not shown)

• 21.8 cu. ft. capacity

GSL22JFP CleanSteel™

(not shown)

• 21.8 cu. ft. capacity



(Models GSH25JFP and GSH22JFP)

GE Side-By-Side “I” Series Models: 22 to 20 cu. ft.

These models include • Upfront electronic temperature controls • FrostGuard™ technology • **Three adjustable glass shelves** • Sealed crisper • Gallon storage door bins • Deluxe quiet design • NeverClean™ condenser **Note: bold = feature upgrade from previous model**



Fresh food gallon door storage provides maximum storage flexibility.



Deluxe quiet design—quiet components and insulation allow for quiet operation.



GE Dispenser Model

GSS20IEP

• 19.9 cu. ft. capacity

• **LightTouch! tall dispenser**

• **Adjustable temperature deli pan**

Non-Dispenser Models

GSS22IBP (not shown)

• 21.7 cu. ft. capacity • **Two adjustable fresh food door bins**

• Sealed deli pan • Equipped for optional electronic icemaker

GSS20IBP (not shown)

• 19.8 cu. ft. capacity • Sealed deli pan • Equipped for optional electronic icemaker

Not all features available on all models. For additional features, specifications and color availability, refer to pages 164-165.



GEAppliances.com

GE Side-By-Side "D" Series Model: 20 cu. ft.

This model includes • Upfront electronic temperature controls • FrostGuard technology • Three wire fresh food shelves • Equipped for optional electronic icemaker • Sealed crisper • Sealed deli pan • Four fresh food door bins, two with gallon storage • Four wire freezer shelves, three adjustable • Deluxe quiet design • NeverClean condenser **Note: bold = feature upgrade from previous model**



Deluxe quiet design—quiet components and insulation allow for quiet operation.



Gallon door storage accommodates gallon containers for quick access to most-used items.



GE
Non-Dispenser Model
GSS20DBP
• 19.8 cu. ft. capacity

Not all features available on all models.
For additional features, specifications and color availability, refer to page 165.

Side-By-Sides

Cooking Products

Microwave Ovens

Dishwashers

Clothes Care

Water Systems

Air Conditioning



GE Profile Arctica™ Top-Freezer Refrigerators

Top Performance.

Elegant curvaceous design graces Arctica top-freezer refrigerators, which are distinguished by radius doors and rounded storage bins.

Arctica's performance is even more dramatic.

The innovative ClimateKeeper™ system adapts to levels of activity and location, keeping the temperature on an even keel.

Arctica top-freezers not only provide precise temperature management, but they also offer optimal ease and accessibility.

Adjustable storage bins put all contents within convenient reach, while the dual fresh food lighting system and freezer dome light let you fully satisfy your midnight cravings.



ONLY GE HAS IT!

Rapid recovery

Exclusive ClimateKeeper system quickly recovers from such variables as frequent door openings and changes in external temperature.



ONLY GE HAS IT!

Freezer innovation

Exclusive FrostGuard™ technology reduces freezer burn.



Stunningly styled inside and out, the GE Profile Arctica top-freezer refrigerators give you a brand-new way to enhance your kitchen.





GE Profile Arctica Top-Freezer Models: 25 to 22 cu. ft.

These models include • Upfront electronic digital temperature display • GE SmartWater filtration • Factory-installed electronic icemaker • ClimateKeeper system • FrostGuard technology • Premium quiet design • ShelfSaver™ rack • Lift-off, slide-out, spillproof glass shelves, four adjustable/split • Two adjustable humidity vegetable/fruit crispers • Adjustable temperature deli pan • Pivot-out pan removal system • One full-width, fixed tall bottle door bin • ClearLook™ adjustable gallon door bins • Spillproof freezer floor • Tilt-out locking freezer door bin • Dual-level lighting • NeverClean™ condenser **Note: bold = feature upgrade from previous model**



Internal water dispenser lets you enjoy the fresh taste of clean, filtered water from inside the refrigerator.



Convenient, upfront electronic touch temperature controls are extremely accurate, easy to see and easy to set.

ONLY GE HAS IT!



Pivot-out pan removal system makes cleaning crispers easier than ever.



ShelfSaver™ beverage rack provides convenient storage for a 12-pack, two egg cartons or a 9" x 13" casserole dish.

Not all features available on all models. For additional features, specifications and color availability, refer to page 166.



GE Profile™

Water Dispenser Models

PTS25SHP Stainless steel (not shown)
• 24.6 cu. ft. capacity

PTS22SHP Stainless steel (not shown)
• 21.7 cu. ft. capacity

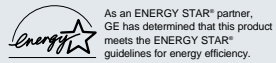
PTS25LHP
• 24.6 cu. ft. capacity

PTS22LHP (not shown)
• 21.7 cu. ft. capacity

Non-Dispenser Models

PTS22SCP Stainless steel
(not shown)
• 21.7 cu. ft. capacity

PTS22LCP (not shown)
• 21.7 cu. ft. capacity



As an ENERGY STAR® partner, GE has determined that this product meets the ENERGY STAR® guidelines for energy efficiency.

(Models PTS25SHP, PTS22SHP, PTS22SCP, PTS25LHP, PTS22LHP and PTS22LCP)

Top-Freezers

Cooking Products

Microwave Ovens

Dishwashers

Clothes Care

Water Systems

Air Conditioning





GE Profile CustomStyle™ Top-Freezer Refrigerators

Installed trim Top-freezer models

**Designed for today's
discriminating consumers.**

CustomStyle refrigerators with installed trim accept stainless steel or acrylic panels in white or black, all of which can be ordered from GE. To achieve a custom look, you can order wood panels from your cabinetmaker.

You'll discover all kinds of ways to enhance your kitchen.



Optional Acrylic Panels

Choose stainless steel panels or acrylic panels in white or black.

Custom Wood Panels

Make and install your own custom wood panels to accent cabinetry.

Dispenser Models



PTI22SFM
Shown with installed stainless steel panels.



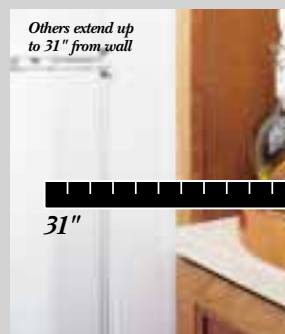
PTI22MFM
Shown with optional white acrylic panels. Available in white or black.



PTI22MFM
Shown with optional stainless steel panels. Available in white or black.



PTI22MFM
Shown with custom wood panels. Available in white or black.



Non-Dispenser Models



PTI22MBM
Shown with optional black acrylic panels. Available in white or black.



PTI22MBM
Shown with optional stainless steel panels. Available in white or black.



PTI22MBM
Shown with custom wood panels. Available in white or black.

Optional collar trim: adding the final touch.

The optional collar trim is just another way GE lets you integrate our CustomStyle refrigerators into your kitchen decor. Available in stainless steel, white and black, this trim frames the refrigerator facade, adding to the finished look of a built-in, custom kitchen. Collar trim: TRMBISSS, TRMBISWW, TRMBISBB.

Top-Freezer Refrigerators

Because they install nearly flush with the cabinets, these refrigerators save floor space. They don't stick out into the kitchen!





Trimless Top-freezer models

Installation made easy, simply slide in.

The trimless CustomStyle units install by simply sliding into—way into—the space between cabinets. CustomStyle refrigerators, because they align with counters, instantly look built-in, and there's nothing to attach or build. (Available in stainless steel, white, bisque and black.)

Dispenser Models



PTC22SFM
Stainless steel.



PTC22MFM
Available in white, bisque or black.

Non-Dispenser Models



PTC22SBM
Stainless steel.



PTC22MBM
Available in white or black.

GE Profile CustomStyle™ Top-Freezer Models: 22 cu. ft.

These models include • Upfront illuminated temperature controls • **Beverage rack** • **QuickSpace™ shelf** • Adjustable slide-out, spillproof glass shelves • Two adjustable humidity vegetable/fruit crispers • **Slide-out, spillproof crisper cover** • **ClearLook™ gallon door bins** • **Adjustable temperature meat pan** • Dairy compartment • **Upfront fresh food lighting** • Deluxe quiet design • NeverClean™ condenser

Dispenser models include • **LightTouch! dispenser delivers cubes, crushed ice and chilled water** • SmartWater™ filtration system

Note: bold = feature upgrade from previous model



SmartWater filtration system provides clean, better-tasting water and ice through the LightTouch! dispenser. (6 months/300 gallons)



QuickSpace shelf slides back to store tall items.



ClearLook adjustable door bins store gallon containers with ease.



LightTouch! dispenser delivers cubes, crushed ice and chilled water.

Not all features available on all models. For additional features, specifications and color availability, refer to page 167.

28



GE Profile™

Trimless Dispenser Models

PTC22SFM Stainless steel

• 21.7 cu. ft. capacity • Trimless rounded doors, black contoured Profile handles and black dispenser

PTC22MFM (not shown)

• 21.7 cu. ft. capacity • Trimless rounded doors and contoured Profile handles

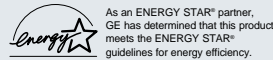
Trimless Non-Dispenser Models

PTC22SBM Stainless steel (not shown)

• 21.9 cu. ft. capacity • Trimless rounded doors, black contoured Profile handles • Equipped for optional electronic icemaker

PTC22MBM (not shown)

• 21.9 cu. ft. capacity • Trimless rounded doors and contoured Profile handles • Equipped for optional electronic icemaker



As an ENERGY STAR® partner, GE has determined that this product meets the ENERGY STAR® guidelines for energy efficiency.

(Models PTC22SFM and PTC22MFM)



GE Profile

Installed Trim Dispenser Models

PTI22SFM Stainless steel

• 21.7 cu. ft. capacity • Factory-installed stainless steel panels, trim, full-length handles and black dispenser

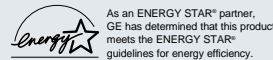
PTI22MFM (not shown)

• 21.7 cu. ft. capacity

Installed Trim Non-Dispenser Model

PTI22MBM (not shown)

• 21.9 cu. ft. capacity • Equipped for optional electronic icemaker



As an ENERGY STAR® partner, GE has determined that this product meets the ENERGY STAR® guidelines for energy efficiency.

(Models PTI22SFM and PTI22MFM)



GEAppliances.com

GE® Top-Freezer “W” Exclusive Builder Series Models: 22 to 18 cu. ft.

These models include • Upfront illuminated temperature controls • Dual-level lighting • **Factory-installed electronic icemaker** • Four adjustable **slide-out**, spillproof, easy **liftoff** glass shelves • Three adjustable gallon door bins • One fixed tall bottle door bin • Snack pan • Two Profile-style adjustable humidity vegetable/fruit crispers • Spillproof freezer floor • Tilt-out locking freezer door bin • Deluxe quiet design • Freezer dome light • NeverClean condenser **Note: bold = feature upgrade from previous model**



ONLY GE HAS IT!

FrostGuard technology reduces freezer burn by monitoring door openings and usage, defrosting only as needed (22 cu. ft. model only).



Slide-out, spillproof easy lift-off glass shelves detach from the frame and have recessed edges to catch spills, making cleanup a breeze.



GE
Icemaker Models
GTS22WCP
• 21.7 cu. ft. capacity • FrostGuard™ technology
• Pivot-out pan removal system • Electronic temperature sensors
GTS18WCP (not shown)
• 17.9 cu. ft. capacity

Not all features available on all models.
For additional features, specifications
and color availability, refer to page 169.

Top-Freezers

Cooking Products

Microwave Ovens

Dishwashers

Clothes Care

Water Systems

Air Conditioning





GE® Top-Freezer “K” Series Models: 22 to 16 cu. ft.

These models include • Upfront illuminated temperature controls • Dual-level lighting • **Four adjustable spillproof glass shelves** • **Three adjustable gallon door bins** • **One fixed tall bottle door bin** • Snack pan • **Two adjustable humidity vegetable/fruit crispers** • Spillproof freezer floor • Deluxe quiet design • **Freezer light** • NeverClean™ condenser **Note: bold = feature upgrade from previous model**



Internal water dispenser lets you enjoy the fresh taste of clean, filtered water from inside the refrigerator.

ONLY GE HAS IT!



Pivot-out pan removal system makes cleaning crispers easier than ever (22 cu. ft. model only).



GE Dispenser Models

GTS22KHP

- 21.7 cu. ft. capacity • **Internal water dispenser**
- GE SmartWater™ filtration • Pivot-out pan removal system • Factory-installed icemaker

GTH22SHP Stainless steel (not shown)

- 21.7 cu. ft. capacity • **FrostGuard™ technology**
- Internal water dispenser • GE SmartWater filtration
- **Pivot-out pan removal system** • **Electronic temperature sensors** • Factory-installed icemaker

GTS18KHP (not shown)

- 17.9 cu. ft. capacity • Internal water dispenser
- GE SmartWater filtration • Factory-installed icemaker

GTS18SHP Stainless steel (not shown)

- 17.9 cu. ft. capacity • Internal water dispenser
- GE SmartWater filtration • Factory-installed icemaker



As an ENERGY STAR® partner, GE has determined that this product meets the ENERGY STAR® guidelines for energy efficiency.

(Model GTH22SHP)



Seamless, spillproof freezer floor design makes freezer cleanup simple!



Adjustable gallon door bins store gallon containers with ease.



GE Non-Icemaker Models

GTS22KBP

- 21.7 cu. ft. capacity • Pivot-out pan removal system
- Equipped for optional icemaker

GTH22SBN Stainless steel (not shown)

- 21.7 cu. ft. capacity • **FrostGuard technology**
- **Pivot-out pan removal system** • **Electronic temperature sensors** • Equipped for optional icemaker

GTS18SBP Stainless steel (not shown)

- 17.9 cu. ft. capacity • Equipped for optional icemaker

GTS18KBP (not shown)

- 17.9 cu. ft. capacity • Equipped for optional icemaker

GTH18KBP (not shown)

- 17.9 cu. ft. capacity • Equipped for optional icemaker

GTL18KBP CleanSteel™ (not shown)

- 17.9 cu. ft. capacity • Equipped for optional icemaker

GTS16KBM (not shown)

- 15.6 cu. ft. capacity

Icemaker Models

GTS22KCP (not shown)

- 21.7 cu. ft. capacity • **Pivot-out pan removal system**

GTS18KCP (not shown)

- 17.9 cu. ft. capacity

GTL18KCP CleanSteel (not shown)

- 17.9 cu. ft. capacity



As an ENERGY STAR® partner, GE has determined that this product meets the ENERGY STAR® guidelines for energy efficiency.

(Models GTH22SBN and GTH18KBP)

Not all features available on all models. For additional features, specifications and color availability, refer to page 169.





GE Top-Freezer "J" Series Models: 22 to 18 cu. ft.

These models include • Upfront illuminated temperature controls • Dual-level lighting • Three spillproof glass shelves, two adjustable split and one full-width • Two vegetable/fruit crispers • Snack pan • Two full-width encapsulated door bins, one with gallon storage • Spillproof freezer floor • Deluxe quiet design • NeverClean™ condenser **Note: bold = feature upgrade from previous model**



Gallon door storage accommodates gallon containers for quick access to most-used items.



Seamless, spillproof freezer floor design makes freezer cleanup simple!



GE Icemaker Models

GTS22JCP

- 21.8 cu. ft. capacity • **Pivot-out pan removal system**
- **Electronic temperature sensors**

GTS18JCP (not shown)

- 17.9 cu. ft. capacity

Non-Icemaker Models

GTS22JBP (not shown)

- 21.8 cu. ft. capacity • **Pivot-out pan removal system**
- **Electronic temperature sensors** • Equipped for optional icemaker

GTS18JBP (not shown)

- 17.9 cu. ft. capacity • Equipped for optional icemaker

GTH18JBP (not shown)

- 17.9 cu. ft. capacity • Equipped for optional icemaker



As an ENERGY STAR® partner, GE has determined that this product meets the ENERGY STAR® guidelines for energy efficiency.

(Model GTH18JBP)

Top-Freezers

Cooking Products

Microwave Ovens

Dishwashers

Clothes Care

Water Systems

Air Conditioning

GE Top-Freezer "I" Series Models: 20 cu. ft.

These models include • Upfront temperature controls • Three glass shelves, two adjustable split and one full-width • Two vegetable/fruit crispers • Snack pan • **Three full-width gallon door bins, two adjustable** • Spillproof freezer floor • Deluxe quiet design • NeverClean™ condenser **Note: bold = feature upgrade from previous model**



Gallon door storage accommodates gallon containers for quick access to most-used items.



Adjustable humidity crispers provide the ideal storage environment for fruits and vegetables.



GE Icemaker Models

GTS20ICN

- 20.0 cu. ft. capacity • Three SpillKeeper™ glass shelves, two adjustable split and one full-width
- Three full-width gallon door bins (two adjustable)

Non-Icemaker Models

GTS20IBN (not shown)

- 20.0 cu. ft. capacity • Equipped for optional icemaker

Not all features available on all models. For additional features, specifications and color availability, refer to page 170.





GE® Top-Freezer “D” Series Models: 18 cu. ft.

These models include • Upfront temperature controls • Upfront fresh food lighting • Three wire shelves, **two adjustable split and one full-width** • Two vegetable/fruit crispers • **Snack pan** • **Three door shelves with gallon storage** • Deluxe quiet design • NeverClean condenser

Note: bold = feature upgrade from previous model



Upfront temperature controls are easy to see and set.

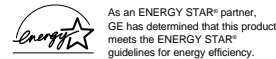


GE Icemaker Model

GTS18DCP
• 17.9 cu. ft. capacity • **Equipped with factory-installed icemaker**

Non-Icemaker Models

GTS18DBP (not shown)
• 17.9 cu. ft. capacity • Equipped for optional icemaker
GTH18DBP (not shown)
• 17.9 cu. ft. capacity • Equipped for optional icemaker



(Model GTH18DBP)



GE Top-Freezer “B” Series Models: 18 to 12 cu. ft.



These models include • Upfront temperature controls • **Two vegetable/fruit crispers** • Two fixed door shelves with tall bottle storage • **Two adjustable wire full-width shelves** • Two fixed freezer door shelves • Deluxe quiet design • **NeverClean condenser**

Note: bold = feature upgrade from previous model



Not all features available on all models. For additional features, specifications and color availability, refer to pages 170-173.

32

GE Non-Icemaker Models

GTR18BBM
• 17.6 cu. ft. capacity • Recessed handles
• Equipped for optional icemaker

GTS17BBM (not shown)
• 16.9 cu. ft. capacity • Equipped for optional icemaker

GTR17BBM (not shown)
• 16.9 cu. ft. capacity • Recessed handles
• Equipped for optional icemaker

GTS16BBM (not shown)
• 14.6 cu. ft. capacity • Equipped for optional icemaker

GTS15BBM (not shown)
• 14.6 cu. ft. capacity • Equipped for optional icemaker

GTH15BBM (not shown)
• 14.6 cu. ft. capacity • Equipped for optional icemaker

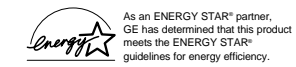
GTR15BBM (not shown)
• 14.6 cu. ft. capacity • Recessed handles
• Equipped for optional icemaker

GTS12BBP (not shown)
• 11.7 cu. ft. capacity

Icemaker Models

GTS17BCM (not shown)
• 16.9 cu. ft. capacity

GTS15BCM (not shown)
• 14.6 cu. ft. capacity



(Model GTH15BBM)





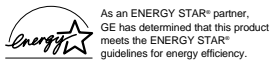
GEAppliances.com

GE Top-Freezer "A" Series Models: 12 to 10 cu. ft.

Note: bold = feature upgrade from previous model



GE
Non-Icemaker Model
GTR11AAP
• 11.4 cu. ft. capacity • **Upfront temperature controls** • Two wire full-width shelves • One full-width vegetable/fruit crisper • One wire full-width freezer shelf • Deluxe quiet design



(Model GTR11AAP)



GE
Cycle Defrost Model
GFR12AAM
• 11.7 cu. ft. capacity • Three door shelves • **Two clear vegetable/fruit crispers** • Two adjustable wire cabinet shelves • Tall bottle storage



GE
Manual Defrost Model
GMS10AAM
• 9.7 cu. ft. capacity • Five door shelves (two egg) • Full-width vegetable/fruit crisper • Two adjustable wire cabinet shelves • Tall bottle storage

Compacts

Cooking Products

Microwave Ovens

Dishwashers

GE Spacemaker™ Compact Refrigerators: 6.0 to 1.7 cu. ft.

Note: bold = feature upgrade from previous model



GE
Compact Model
GMR06AAM
• 6.0 cu. ft. capacity • Two adjustable cabinet shelves • Three full-width door shelves • Interior light • Optional black panel and door handle available with TK6 trim kit



GE
Compact Model
GMR04BAN (not shown)
• 4.3 cu. ft. capacity • Two- and one-half wire cabinet shelves • **One full-width, two half-width door shelves** • **Can rack**
GMR02BAN
• 1.7 cu. ft. capacity • One slide-out wire cabinet shelf • One full-width, one half-width door shelves

Wine Coolers: 3.0 to 4.0 cu. ft.



GE Profile™
Wine Cooler
PWR04FAN
• 4.3 cu. ft. capacity • Five slide-out shelves (holds 29 bottles) • Clear glass door • Electronic adjustable controls • Interior light • Lock



GE
Wine Cooler
GWR03AAM
• 2.4 cu. ft. capacity • Four removable shelves (holds 24 bottles) • Clear glass door • Exterior temperature control knob

Clothes Care

Water Systems

Air Conditioning





GE Profile Arctica™ Bottom-Freezer Refrigerators

Fresh Food First.

Arctica bottom-freezers are uniquely configured to put fresh foods within convenient reach. Full-width shelves allow easy access to refrigerator contents, and brilliant lighting allows easy viewing of items.

While these new refrigerators put fresh food first, frozen food storage is also given thoughtful consideration. A multi-level storage system gives you tremendous storage flexibility. Also, an Integrated Icemaker™ gives you all the ice—and space—you need.

Both the fresh food and freezer compartments use innovative cooling technology to help preserve foods and conserve energy. In addition to fresh technology, GE bottom-freezers offer a fresh style twist with contoured doors and sculptured handles.



GE bottom-freezer refrigerators are a top choice among consumers who want modern design and maximum convenience.

34



ONLY GE HAS IT!

Contoured doors and sculptured handles

Gently contoured doors and GE handles offer a dramatic, kitchen-enhancing look.



ONLY GE HAS IT!

ClimateKeeper™ system

Combines upfront electronic touch controls, multiple electronic sensors and a multiflow air system to keep temperatures consistent and help keep foods fresh.



ONLY GE HAS IT!

Integrated Icemaker™

Combines an icemaker and ice bin in one system to save space and hassle. The ice bin is built into the icemaker, not the freezer baskets, so cubes don't fall onto the freezer floor.





GE Profile Arctica Bottom-Freezer Drawer Models: 22 to 20 cu. ft.

These models include • Upfront electronic touch controls with digital temperature readout • ShelfSaver™ beverage rack • Slide-out, spillproof glass shelves • QuickSpace™ shelf • FrostGuard™ technology • ClearLook™ adjustable gallon door bins • Multi-level Slide 'n Store™ basket system • Adjustable humidity vegetable/fruit crispers • **Adjustable temperature deli pan** • Contoured doors • Sculptured handles • NeverClean™ condenser • Deluxe quiet design • Equipped for optional automatic icemaker **Note: bold = feature upgrade from previous model**



QuickSpace shelf quickly slides out of the way to make room for tall items.



ShelfSaver beverage rack provides space for odd shapes and sizes.



Slide 'n Store freezer drawer provides easy access to frozen foods.



GE Profile

Bottom-Freezer Drawer Icemaker Models

- PDS20SCP Stainless steel**
 - 19.6 cu. ft. capacity • GE SmartWater™ filtration
- PDS20MCP** (not shown)
 - 19.6 cu. ft. capacity • GE SmartWater filtration
- PDS22SCP Stainless steel** (not shown)
 - 22.2 cu. ft. capacity • GE SmartWater filtration
- PDS22MCP** (not shown)
 - 22.2 cu. ft. capacity • GE SmartWater filtration

Bottom-Freezer Drawer Non-Icemaker Models

- PDS20SBP Stainless steel** (not shown)
 - 19.6 cu. ft. capacity
- PDS20MBP** (not shown)
 - 19.6 cu. ft. capacity
- PDS22SBP Stainless steel** (not shown)
 - 22.2 cu. ft. capacity
- PDS22MBP** (not shown)
 - 22.2 cu. ft. capacity



As an ENERGY STAR® partner, GE has determined that this product meets the ENERGY STAR® guidelines for energy efficiency.

(Models PDS20SBP, PDS20MBP, PDS22SBP, PDS22MBP, PDS20SCP, PDS20MCP, PDS22SCP and PDS22MCP)

Not all features available on all models. For additional features, specifications and color availability, refer to page 174.

Bottom-Freezers

Cooking Products

Microwave Ovens

Dishwashers

Clothes Care

Water Systems

Air Conditioning



GE® Bottom-Freezer Drawer Models: 18 cu. ft.

These models include • Four adjustable split, spillproof glass shelves (two slide-out) • One full-width, two split Slide 'n Store freezer baskets • Adjustable humidity vegetable/fruit crispers • Snack pan • NeverClean condenser • Deluxe quiet design • Equipped for optional automatic icemaker **Note: bold = feature upgrade from previous model**



Adjustable fresh food gallon door storage provides maximum storage flexibility.



Spillproof shelves help contain spills for ease of cleaning.



Brita filtered water door module holds nearly two gallons of water (18 cu. ft. models only).



GE Bottom-Freezer Drawer Models

GDS18SBP Stainless steel

- 18.1 cu. ft. capacity • Brita® filtered water door module • ShelfSaver™ beverage rack
- Stainless steel tubular door handles (must choose left or right hand door opening)

GDS18LBP (not shown)

- 18.1 cu. ft. capacity • Brita® filtered water door module • ShelfSaver beverage rack
- Full-grip, side-mounted color-matched handle



As an ENERGY STAR® partner, GE has determined that this product meets the ENERGY STAR® guidelines for energy efficiency.

Not all features available on all models. For additional features, specifications and color availability, refer to page 175.



GE Bottom-Freezer “K” Series Door Models: 22 to 18 cu. ft.

These models include • Adjustable spilt glass shelves • Adjustable humidity vegetable/fruit crispers • Snack pan • Adjustable gallon door bins • Full-width sliding freezer basket • NeverClean™ condenser • Deluxe quiet design • Equipped for optional automatic icemaker

Note: bold = feature upgrade from previous model



Adjustable fresh food gallon door storage provides maximum storage flexibility.



Spillproof shelves help contain spills for ease of cleaning.



GE Bottom-Freezer Door Model

GBS22KBP

• 22.2 cu. ft. capacity • Spillproof glass shelves

GBS20KBP (not shown)

• 19.6 cu. ft. capacity

GBS18KBP (not shown)

• 18.1 cu. ft. capacity



As an ENERGY STAR® partner, GE has determined that this product meets the ENERGY STAR® guidelines for energy efficiency.

Bottom-Freezers

Cooking Products

Microwave Ovens

Dishwashers

Clothes Care

Water Systems

Air Conditioning

GE Bottom-Freezer “H” Series Door Models: 22 to 18 cu. ft.

These models include • Adjustable spilt glass shelves • Adjustable humidity vegetable/fruit crispers • Snack pan • Adjustable gallon door bins • Full-width sliding freezer basket • NeverClean™ condenser • Deluxe quiet design • Equipped for optional automatic icemaker

Note: bold = feature upgrade from previous model



GE Bottom-Freezer Door Models

GBS22HBP

• 22.2 cu. ft. capacity

GBS18HBP

• 18.1 cu. ft. capacity



As an ENERGY STAR® partner, GE has determined that this product meets the ENERGY STAR® guidelines for energy efficiency.

Not all features available on all models. For additional features, specifications and color availability, refer to pages 174-175.



GE® Chest Freezers

These models include

- Adjustable temperature control
- Upfront defrost water drain

Note: **bold** = feature upgrade from previous model



Lift-out and sliding wire baskets simplify loading and unloading.



Interior light brightens for easy access.



- GE Chest Freezer Models
- FCM25RM** (not shown)
- **25.1 cu. ft. capacity** • **Four lift-out and sliding bulk storage baskets** • Interior light • Built-in lock • Limited food loss warranty*
- FCM20DM**
- **19.7 cu. ft. capacity** • **Three lift-out and sliding bulk storage baskets** • Interior light • Built-in lock • Limited food loss warranty*
- FCM15DM** (not shown)
- **14.8 cu. ft. capacity** • **Two lift-out and sliding bulk storage baskets** • Interior light • Built-in lock • Limited food loss warranty*



- GE Chest Freezer Model
- FCM15SM**
- **14.8 cu. ft. capacity** • One lift-out and sliding bulk storage basket • Limited food loss warranty*



- GE Chest Freezer Models
- FCM9DM**
- **8.8 cu. ft. capacity** • Two lift-out and sliding bulk storage baskets • Interior light • Built-in lock • Limited food loss warranty*
- FCM7DN** (not shown)
- **7.0 cu. ft. capacity** • **Two lift-out and sliding bulk storage baskets** • Power "ON" light • Built-in lock • Limited food loss warranty*



- GE Chest Freezer Models
- FCM5DM**
- **5.0 cu. ft. capacity** • Two lift-out and sliding bulk storage baskets • Power "ON" light • Built-in lock
- FCM5SM** (not shown)
- **5.0 cu. ft. capacity** • One lift-out and sliding bulk storage basket

*See written warranty for complete details.

Not all features available on all models. For additional features, specifications and color availability, refer to page 176.



GE Upright Freezers

These models include • Adjustable temperature control • Limited food loss warranty*

Note: bold = feature upgrade from previous model



Refrigerated cabinet shelves keep items extra cool.



Slide-out bulk storage basket for maximum freezer capacity.



Safety lock provides security.



GE Deluxe Upright Frost-Free Models

FUF20DM
• **20.3 cu. ft. capacity** • One slide-out bulk storage basket • **Five cabinet shelves, three adjustable** • **Six door shelves** • Built-in lock • Interior light

FUF17DM (not shown)
• **16.7 cu. ft. capacity** • One slide-out bulk storage basket • **Four cabinet shelves, three adjustable** • Five door shelves • Built-in lock • Interior light

FUF14DM (not shown)
• **13.7 cu. ft. capacity** • One slide-out bulk storage basket • **Three cabinet shelves, two adjustable** • Five door shelves • Built-in lock • Interior light



GE Deluxe Upright Manual Defrost Models

FUM21DM (not shown)
• **20.6 cu. ft. capacity** • One slide-out bulk storage basket • **Five cabinet shelves, one adjustable** • **Six door shelves** • Built-in lock • Interior light • Defrost water drain

FUM17DM
• **17.1 cu. ft. capacity** • One slide-out bulk storage basket • Four cabinet shelves, one adjustable • Five door shelves • Built-in lock • Interior light • Defrost water drain

FUM14DM (not shown)
• **14.1 cu. ft. capacity** • One slide-out bulk storage basket • **Four cabinet shelves, one adjustable** • Five door shelves • Built-in lock • Interior light • Defrost water drain



GE Standard Upright Manual Defrost Models

FUM14SM
• **14.1 cu. ft. capacity** • **Three cabinet shelves** • **Five door shelves** • Defrost water drain

FUM5SM (not shown)
• **5.0 cu. ft. capacity** • Two cabinet shelves • Three door shelves

*See written warranty for complete details.

Not all features available on all models. For additional features, specifications and color availability, refer to page 176.

Freezers

Cooking Products

Microwave Ovens

Dishwashers

Clothes Care

Water Systems

Air Conditioning





Award-winning technology takes on a whole new look.

Since its introduction in 1999, the GE Profile

Advantium® oven has won numerous awards for its

innovative **Speedcook technology**. Harnessing the

power of light, it does what no other oven has done

before—deliver **delicious results in minutes**. Today,

Advantium is commanding attention, not only for its

powerful capabilities, but also for its **bold**

appearance. A window

framed by two opposing

arcs and a unique

sculptured handle make

the Advantium a stunning

addition to any kitchen.

It's the **perfect**

second oven!



Versatility

Advantium ovens let you prepare meals you never dreamed of cooking during the week.

These ovens bake, broil, brown, roast and grill, with no preheating.

And for added time savings, they convert to microwave ovens.

Installation flexibility

The Advantium wall oven can be installed by itself, over a traditional wall oven or over a warming drawer. The Advantium above-the-cooktop ovens can be conveniently located over a counter, range or cooktop.

Speed performance

Imagine the luxury of preparing a salmon steak in less time than it takes to set the table. Or the convenience of baking potatoes in four minutes with the press of a button. This is the extraordinary capability of Advantium Speedcook technology.

Oven-quality performance

Advantium ovens cook amazingly fast, with great-tasting results. Foods not only cook faster with light, but they also retain their natural juices, moisture and flavor.





GEAppliances.com

Refrigeration

Advantium™ Ovens

Microwave Ovens

Dishwashers

Clothes Care

Water Systems

Air Conditioning





GE Profile Advantium® Ovens

Advantium 240 Oven Great-tasting food up to eight times faster!*

The award-winning Advantium oven harnesses the energy of light to deliver beautiful, flavorful results in mere minutes. Its revolutionary Speedcook technology broils, browns, roasts and even grills food, with no preheating. And for added flexibility, Advantium converts to a fully functional microwave oven.



The Advantium oven cooks food to delectable perfection, and the evidence can be found in the look, aroma and taste—oven-quality food, fast.



Advantium 120 Oven Great-tasting food up to four times faster!*

This well-rounded oven offers revolutionary Speedcook technology, along with traditional oven, microwave and warming capabilities. There's a cooking mode for any dish you have in mind. And the flexible configuration installs with ease. Just plug it into any standard 120-volt power outlet.



Advantium ovens come preprogrammed with more than 100 of your favorite dishes. Just select your dish and press "Start."

**Favorite foods cook in minutes.
Compare the Advantium oven to a conventional oven.**

Food	Advantium Oven	Advantium 120 Oven	Conventional Oven
Whole Chicken	20 minutes	40 minutes	119 minutes
Whitefish Fillets	3-1/2 minutes	10 minutes	38 minutes
Crescent Rolls	4-1/2 minutes	10 minutes	18 minutes
Chocolate Chip Cookies	4-1/2 minutes	10 minutes	16 minutes
Baked Potatoes	4 minutes	11 minutes	83 minutes
Pepperoni Pizza	7 minutes	13 minutes	23-1/2 minutes

*Compared to a conventional oven.





GEAppliances.com

GE Profile Advantium® Wall Ovens

These models include • More than 100 preprogrammed menu items • 200-dish cookbook • Cooking conversion guide with tips
• Microwave with sensor • Four cooking trays: three for speedcooking, one for microwave mode • Family-size, easy-to-clean stainless steel interior • Sculptured handle • Complete cooking reminder • Child lockout • Custom recipe saver



Timesaving technology, versatile programming options and easy-to-use controls make Advantium the perfect second oven.



By harnessing the power of light, Advantium cooks food to golden perfection in minutes.



Stacked over a conventional wall oven and/or warming drawer, Advantium completes your cooking center.



GE Profile™
Wall Oven
SCB2001FSS
Stainless steel



GE Profile
Wall Oven
SCB2000FWW
White on white
SCB2000FCC
Bisque on bisque
(not shown)
SCB2000FBB
Black on black
(not shown)

Refrigeration

Advantium™ Ovens

Microwave Ovens

Dishwashers

Clothes Care

Water Systems

Air Conditioning

Not all features available on all models.
For additional features, specifications and color availability, refer to page 178.



GE Profile Advantium® Above-the-Cooktop Ovens

- These models include** • More than 100 preprogrammed menu items • 200-dish cookbook • Cooking conversion guide with tips
- Microwave mode • Four cooking trays: three for speedcooking, one for microwave mode • Family-size, easy-to-clean stainless steel interior
 - Sculptured handle • Complete cooking reminder • Child lockout • Custom recipe saver • Full-view halogen cooktop lighting



Speedcook technology harnesses the power of light to cook foods up to eight times faster than a conventional oven.



The smooth, stainless steel interior cleans quickly with the simple wipe of a towel.



The Advantium above-the-cooktop oven can be installed over a counter, range or cooktop.



GE Profile™
Above-the-Cooktop Oven
SCA2001FSS
Stainless steel



GE Profile
Above-the-Cooktop Oven
SCA2000FBB
Black on black
SCA2000FWW
White on white (not shown)
SCA2000FCC
Bisque on bisque (not shown)



Not all features available on all models. For additional features, specifications and color availability, refer to page 179.





GEAppliances.com

GE Profile Advantium 120 Above-the-Cooktop Ovens

These models include • Four cooking modes: Speedcook, traditional oven, microwave and warming • More than 100 preprogrammed menu items • 200-dish cookbook • Cooking conversion guide with tips • Sophisticated contoured design • Family-size, easy-to-clean stainless steel interior • Custom recipe saver • Complete cooking reminder • Child lockout • Full-view halogen cooktop lighting



Award-winning Speedcook technology delivers great-tasting meals up to four times faster than a conventional oven.



The Advantium 120 oven offers four oven modes for the ultimate in cooking versatility.



The flexible above-the-cooktop configuration installs with ease over a counter, range or cooktop and plugs into any standard 120-volt power outlet.



GE Profile
Above-the-Cooktop Oven
SCA1001FSS
Stainless steel



GE Profile
Above-the-Cooktop Oven
SCA1000DWW
White on white
SCA1000DBB
Black on black
(not shown)
SCA1000DCC
Bisque on bisque
(not shown)



Not all features available on all models. For additional features, specifications and color availability, refer to page 179.

Refrigeration

Advantium™ Ovens

Microwave Ovens

Dishwashers

Clothes Care

Water Systems

Air Conditioning





Inspirational cooking through innovation.

GE helps you make the most of your meals, bringing innovation to every aspect of your cooking needs.

Our cooking products cater to your requirements with a wide range of heat settings and smooth,

easy-to-clean surfaces. Our wall ovens, with the

Precise Air™ convection system, bake more evenly

than any other convection wall oven.* And when it

comes to style, GE offers a variety

of attractive options.

Whether you choose

black or stainless, built-in

or slide-in, you're sure to

find the perfect complement

to your kitchen.

*Among leading manufacturers' brands.



Gas cooktops

Our gas cooktops feature burners with up to 15,000 BTU of cooking power, delivering incredible cooking flexibility with an additional 11,000-BTU, a 9,100-BTU, and a 6,000-BTU burner for simmering.



Electric cooktops

Our electric cooktop line provides you an array of versatile options. Expandable heating elements, electronic controls and a warming zone are just a few of the many conveniences.



Built-in wall ovens

Built-in wall ovens make a dramatic design statement. Installed in a wall, under a counter or in a cabinet, these ovens integrate beautifully into any kitchen.



Warming drawers

GE's essential warming drawer helps you keep just-cooked foods warm while you're waiting for guests or preparing other dishes.





Refrigeration

Built-in Cooking

Microwave Ovens

Dishwashers

Clothes Care

Water Systems

Air Conditioning





GE® Built-In Single and Double Wall Ovens

GE Profile™ wall ovens perform beautifully in any kitchen.

GE Profile wall ovens have improved upon true European convection with the Precise Air™ convection system, which uses an innovative fan that reverses direction. The result is uniform heating throughout, and an oven that bakes more evenly than any other convection wall oven.*

The largest** oven capacity in America and multiple rack positions give you the flexibility to cook more food at once.

Among the many convenient features is the proof setting for rising dough, Sabbath mode for preparing foods in accordance with kosher law, warm mode for keeping foods at serving temperature and the option of closed door broiling.

*Among leading manufacturers' brands.
**Among leading manufacturers' brands, except 30" convection ovens.



The versatile design works with every cooking style, every kitchen.

Versatility extends to installation, as well. GE wall ovens go wherever they're needed: in a wall, cabinet or under a counter. These wall ovens fit into common cutouts, making it easy to upgrade or replace an older GE wall oven. And the flush installation appearance makes the most of your kitchen space.





GE flexibility gives you more ways to cook great food!



Convection options

GE Profile wall ovens use True European convection, now delivered through the Precise Air™ convection system. Meats are beautifully browned, yet tender and juicy inside and breads and desserts are baked to golden perfection.

Precise Air convection system

This exclusive system uses an innovative fan that rotates one way, then reverses direction for optimal air and heat circulation. Plus, a third heating element surrounds the fan and delivers consistent heat. These ovens bake more evenly than any other convection wall oven.*

Auto Recipe™ conversion

Auto Recipe eliminates guesswork by automatically converting standard recipe temperatures to proper convection settings. Simply set the control according to recipe instructions and the oven automatically adjusts for convection baking.

The maximum in cooking performance and versatility.



Largest capacity

GE wall ovens now feature the largest** capacity wall ovens in America. Great for holiday meals and dinner parties, you have greater flexibility to cook more food at once!



Heavy-duty racks

The durable construction of the heavy-duty racks provides additional support for large cooking needs, such as that Thanksgiving turkey.



Multiple cooking modes

A variety of flexible cooking modes help make cooking convenient. The proof mode allows dough to rise properly. The warm mode keeps meals warm and ready to serve. And the certified Sabbath mode keeps food warm in accordance with kosher law.

*Among leading manufacturers' brands.
**Among leading manufacturers' brands, except 30" convection ovens.

Not all features available on all models.



Built-In Double Ovens: 30" Electric

These models include

- The largest* capacity wall oven in America!
- Flush appearance installation
- Fits most 30" cabinets
- TrueTemp™ system
- Light self-clean
- Certified Sabbath mode
- Control lock capability
- Big ClearView™ windows
- Optional closed door broiling

Note: bold = feature upgrade from previous model



Precise Air™ convection uses an innovative fan that reverses direction for optimal air and heat circulation.



Eight-pass power bake exemplifies the ultimate in heating performance with complete coverage.



CleanDesign oven interiors have a hidden bake element and a smooth, seamless surface, making cleanup easier than ever.

Not all features available on all models. For additional features, specifications and color availability, refer to pages 180-181.

50

Convection Self-Clean Upper/Self-Clean Lower



GE Profile™ 30" Built-In Double Oven

- JT955SF** Stainless steel
- Bakes more evenly than any other convection wall oven**
 - **Electronic glass touch controls**
 - CleanDesign oven interior/hidden bake element
 - Stainless steel oven doors
 - **Halogen oven light**
 - Convection cookbook

Convection Upper Oven

- Extra-large 4.1 cu. ft. self-clean oven
- Precise Air™ convection system
- **Single-rack and multi-rack convection bake**
- Convection roast
- Auto Recipe™ conversion
- **Proof mode**
- **Warm mode**
- Three heavy-duty oven racks
- Eight-pass bake element
- Oven meat probe
- Seven embossed rack positions

Thermal Lower Oven

- Extra-large 4.4 cu. ft. self-clean oven
- Two heavy-duty oven racks

Convection Self-Clean Upper/Self-Clean Lower



GE Profile™ 30" Built-In Double Oven

- JT955CF** Bisque on bisque
- Frameless glass oven doors
- JT955WF** White on white (not shown)
- JT955BF** Black on black (not shown)

Convection Self-Clean Upper/Self-Clean Lower



GE Profile™ 30" Built-In Double Oven

- JT952BF** Black on black
- **Bakes more evenly than any other convection wall oven****
 - Electronic oven controls
 - **CleanDesign oven interior/hidden bake element**
 - Convection cookbook

Convection Upper Oven

- Extra-large 4.1 cu. ft. self-clean oven
- **Precise Air convection system**
- **Convection bake**
- **Convection roast**
- Auto Recipe conversion
- **Three heavy-duty oven racks**
- **Eight-pass bake element**
- **Oven meat probe**
- **Seven embossed rack positions**

Thermal Lower Oven

- Extra-large 4.4 cu. ft. self-clean oven
- **Two heavy-duty oven racks**

JT952SF Stainless steel (not shown)

JT952WF White on white (not shown)

JT952CF Bisque on bisque (not shown)

* Among leading manufacturers' brands except 30" convection ovens.

** Among leading manufacturers' brands.



Self-Clean (Both Ovens)



GE®
30" Built-In Double Oven
JTP48SF Stainless steel
 • Stainless steel oven doors • **Two extra-large 4.4 cu. ft. self-clean ovens with delay self-clean**
 • Interior oven light • Six-pass bake element
 • Two oven racks (each oven) • Six embossed rack positions • Audible preheat signal

GEAppliances.com



The largest* capacity wall oven in America gives you flexibility to cook more at once.



TrueTemp™ technology provides even heat distribution and maximum control.

Self-Clean (Both Ovens)



GE
30" Built-In Double Oven
JTP48WF White on white
 • Frameless glass oven doors
JTP48CF Bisque on bisque (not shown)
JTP48BF Black on black (not shown)

Self-Clean Upper/Standard Lower



GE
30" Built-In Double Oven
JTP28BF Black on black
 • Frameless glass oven doors • Two oven racks (each oven)
 • Six embossed rack positions • Audible preheat signal
Upper Oven
 • Extra-large 4.4 cu. ft. self-clean oven with delay self-clean
 • Electronic oven controls • Delay bake • Interior oven light
Lower Oven
 • Extra-large 4.4 cu. ft. standard-clean oven • Rotary controls
JTP28SF Stainless steel (not shown)
 • Stainless steel oven door
JTP28WF White on white (not shown)
JTP28CF Bisque on bisque (not shown)



Certified Sabbath mode keeps food warm in accordance with kosher law.

Refrigeration

Built-In Cooking

Microwave Ovens

Dishwashers

Clothes Care

Water Systems

Air Conditioning





Built-In Double Ovens: 30" and 27" Electric

These models include

- Flush appearance installation • Frameless glass oven doors
- Electronic controls
- TrueTemp™ system
- Control lock capability
- Variable broil • Optional closed door broil

Note: bold = feature upgrade from previous model



True European convection ovens provide even cooking and superior baking results.



Sensor microwave cooking controls take the guesswork out of cooking your favorite foods.



Electronic controls are simple to understand and easy to use. Just read and touch.

Not all features available on all models. For additional features, specifications and color availability, refer to pages 180 and 184.

52

Microwave Upper/Convection Lower



GE Profile™ 30" Built-In Double Oven

JT965SF Stainless steel
• Fits most 30" cabinets

Microwave Upper Oven

- 1.6 cu. ft. cavity • Sensor cooking controls for Auto Cook and Reheat • Turntable • 1000 watts

Convection Lower Oven

- Extra-large 4.1 cu. ft. self-clean oven • CleanDesign oven interior/hidden bake element • Exclusive Big ClearView™ window • True European convection system • Convection bake • Convection roast • Three heavy-duty oven racks • Oven meat probe • Eight-pass power bake element • Halogen interior oven lights • Seven embossed rack positions

JT965BF Black on black (not shown)

JT965WF White on white (not shown)

JT965CF Bisque on bisque (not shown)

Microwave Upper/Self-Clean Lower



GE® 30" Built-In Double Oven

JTP86WF White on white
• Fits most 30" cabinets • Upfront interior oven lights

Microwave Upper Oven

- 1.6 cu. ft. cavity • Sensor cooking controls for Auto Cook and Reheat • Turntable • 1000 watts

Lower Oven

- Extra-large 4.4 cu. ft. self-clean oven with Delay Clean option • Two oven racks • Six embossed rack positions • Big ClearView window

JTP86SF Stainless steel (not shown)

JTP86CF Bisque on bisque (not shown)

JTP86BF Black on black (not shown)

Microwave Upper/Self-Clean Lower



GE 27" Built-In Double Oven

JKP86SF Stainless steel
• Fits most 27" cabinets • Upfront interior oven lights

Microwave Upper Oven

- 1.6 cu. ft. cavity • Auto Roast • Auto Cook • Turntable • 1000 watts

Lower Oven

- Extra-large 3.9 cu. ft. self-clean oven with Delay Clean option • Big ClearView window • Two oven racks

JKP86WF White on white (not shown)

JKP86CF Bisque on bisque (not shown)

JKP86BF Black on black (not shown)





Built-In Double Ovens: 27" Electric

These models include

- Bakes more evenly than any other convection wall oven*
- The largest** capacity wall oven in America!
- Flush appearance installation
- Fits most 27" cabinets
- TrueTemp™ system
- Light self clean
- Certified Sabbath mode
- Control lock capability
- Big ClearView windows
- Variable broil
- Convection cookbook

Note: bold = feature upgrade from previous model



Precise Air™ convection uses an innovative fan that reverses direction for optimal air and heat circulation.



The largest** capacity wall oven in America gives you flexibility to cook more at once.



CleanDesign oven interiors have a hidden bake element and a smooth, seamless surface, making cleanup easier than ever.

Convection Upper/Self-Clean Lower



GE Profile

27" Built-In Double Oven

JK955SF Stainless steel

- **Electronic glass touch controls**
- **CleanDesign oven interior/hidden bake element**
- **Stainless steel oven doors**
- **Halogen oven light**

Convection Upper Oven

- Extra-large 3.9 cu. ft. self-clean oven
- **Precise Air™ convection system**
- **Single-rack and multi-rack convection bake**
- **Convection roast**
- **Auto Recipe™ conversion**
- **Proof mode**
- **Warm mode**
- **Three heavy-duty oven racks**
- **Six-pass bake element**
- **Oven meat probe**

Thermal Lower Oven

- Extra-large 3.9 cu. ft. self-clean oven
- **Two heavy-duty oven racks**



GE Profile

27" Built-In Double Oven

- JK955CF** Bisque on bisque
- **Frameless glass oven doors**



GE Profile

27" Built-In Double Oven

- JK955BF** Black on black
- JK955WF** White on white (not shown)

Refrigeration

Built-In Cooking

Microwave Ovens

Dishwashers

Clothes Care

Water Systems

Air Conditioning

* Among leading manufacturers' brands.
** Among leading manufacturers' brands except 30" convection ovens.

Not all features available on all models. For additional features, specifications and color availability, refer to pages 184-185.





Built-In Double Ovens: 27" Electric

- These models include** • The largest* capacity wall oven in America! • Flush appearance installation • Fits most 27" cabinets
- TrueTemp™ system • Certified Sabbath mode • Control lock capability • Frameless glass oven doors • Big ClearView™ windows
 - Variable broil **Note: bold = feature upgrade from previous model**



The largest* capacity wall oven in America gives you flexibility to cook more at once.



TrueTemp™ technology provides even heat distribution and maximum control.



Six-pass power bake provides unparalleled baking throughout the oven interior. The results are succulent, evenly cooked food.

Self-Clean (Both Ovens)



- GE®
27" Built-In Double Oven
JKP48BF Black on black
- Two extra-large 3.9 cu. ft. self-clean ovens with delay self-clean
 - Electronic oven controls
 - Four embossed rack positions
 - Two oven racks (each oven)

Self-Clean (Both Ovens)



- GE
27" Built-In Double Oven
JKP48CF Bisque on bisque
JKP48WF White on white (not shown)

Self-Clean Upper/Standard Lower



- GE
27" Built-In Double Oven
JKP28WF White on white
- Two oven racks (each oven) • Audible preheat signal
- Upper Oven**
- Extra-large 3.9 cu. ft. self-clean oven with Delay Clean option
 - Electronic controls
 - Delay bake
- Lower Oven**
- Extra-large 3.9 cu. ft. standard-clean oven
 - Rotary control
- JKP28BF** Black on black (not shown)

*Among leading manufacturers' brands except 30" convection ovens.

Not all features available on all models. For additional features, specifications and color availability, refer to pages 184-185.





Built-In Single Ovens: 30" Electric

These models include • Bakes more evenly than any other convection wall oven* • The largest** capacity wall oven in America! • Flush appearance installation • Fits most 30" cabinets • TrueTemp™ system • Light self clean • Certified Sabbath mode • Control lock capability • Big ClearView window • Variable broil • **Convection cookbook** Note: bold = feature upgrade from previous model



Precise Air™ convection uses an innovative fan that reverses direction for optimal air and heat circulation.



Cook more at once! Take advantage of more oven capacity with the versatility of multiple rack positions.



CleanDesign oven interiors have a hidden bake element and a smooth, seamless surface, making cleanup easier than ever.

Installation Flexibility

30" wall ovens can be installed in a wall or most 30" cabinets, or undercounter installation with either a gas or electric cooktop above. See page 183 for approved cooktop use.

* Among leading manufacturers' brands.
** Among leading manufacturers' brands except 30" convection ovens.

Not all features available on all models. For additional features, specifications and color availability, refer to pages 182-183.

Self-Clean Convection



GE Profile™ 30" Built-In Single Oven

- JT915SF** Stainless steel
- Extra-large 4.1 cu. ft. self-clean oven with Delay Clean option • Precise Air™ convection system
- **Single-rack and multi-rack convection bake**
- Convection Roast • Auto Recipe™ conversion
- **Proof mode** • **Warm mode** • Eight-pass bake element • Three heavy-duty oven racks
- **Electronic glass touch controls** • CleanDesign oven interior/hidden bake element • Stainless steel oven door • **Halogen oven light** • Oven meat probe
- Seven embossed rack positions



GE Profile 30" Built-In Single Oven

- JT915WF** White on white
- Frameless glass oven door
- JT915CF** Bisque on bisque (not shown)
- JT915BF** Black on black (not shown)



GE Profile 30" Built-In Single Oven

- JT912BF** Black on black
- Extra-large 4.1 cu. ft. self-clean oven with Delay Clean option • **Precise Air™ convection system**
- **Convection bake** • **Convection roast** • **Auto Recipe conversion** • **Eight-pass bake element** • **Three heavy-duty oven racks** • Electronic oven controls
- **CleanDesign oven interior/hidden bake element**
- **Frameless glass oven door** • **Interior oven light** • **Oven meat probe** • **Seven embossed rack positions**
- JT912SF** Stainless steel (not shown)
- JT912WF** White on white (not shown)
- JT912CF** Bisque on bisque (not shown)

Refrigeration

Built-in Cooking

Microwave Ovens

Dishwashers

Clothes Care

Water Systems

Air Conditioning





Built-In Single Ovens: 30" Electric

These models include • The largest* capacity wall oven in America! • Flush appearance installation • Fits most 30" cabinets
 • **TrueTemp™ system** • Electronic oven controls • Certified Sabbath mode • Control lock capability • Big ClearView™ window
 • **Upfront interior oven light** • Variable broil **Note: bold = feature upgrade from previous model**



The largest* capacity wall oven in America gives you flexibility to cook more at once.



TrueTemp™ technology provides even heat distribution and maximum control.

Self-Clean



GE®
30" Built-In Single Oven
JTP20SF Stainless steel
 • Extra-large 4.4 cu. ft. self-clean oven with light self-clean option • Two oven racks • Six embossed rack positions • Six-pass bake element • Stainless steel oven door

Self-Clean



GE
30" Built-In Single Oven
JTP20BF Black on black
 • Frameless glass oven door

Self-Clean



GE
30" Built-In Single Oven
JTP20CF Bisque on bisque
JTP20WF White on white (not shown)

Installation Flexibility

30" wall ovens can be installed in a wall or most 30" cabinets, or in an undercounter installation with either a gas or electric cooktop above. See page 183 for approved cooktop use.

*Among leading manufacturers' brands except 30" convection ovens.

Not all features available on all models. For additional features, specifications and color availability, refer to pages 182-183.





Built-In Single Ovens: 27" Electric

These models include • Bakes more evenly than any other convection wall oven* • **The largest** capacity wall oven in America!** • **Flush appearance installation** • Fits most 27" cabinets • Electronic oven controls • **Certified Sabbath mode** • **Big ClearView window** • Variable broil • **Control lock capability** (except model JKS06) **Note: bold = feature upgrade from previous model**



The durable construction of the heavy-duty racks provides additional support for large cooking needs.



Certified Sabbath mode keeps food in accordance with kosher law.

Installation Flexibility

27" wall ovens can be installed in a wall or 27" cabinet, or in an undercounter installation with either a gas or electric cooktop above. See page 187 for approved cooktop use.

Not all features available on all models. For additional features, specifications and color availability, refer to pages 186-187.

Self-Clean Convection



GE Profile™ 27" Built-In Single Oven

JK915SF Stainless steel
• Extra-large 3.9 cu. ft. self-clean oven with Delay Clean option • **Precise Air™ convection system** • **Single-rack and multi-rack convection bake** • **Convection roast** • **Auto Recipe™ conversion** • **Electronic glass touch controls** • **Proof mode** • **Warm mode** • **Six-pass bake element** • **Three heavy-duty oven racks** • **Convection cookbook** • **CleanDesign oven interior/hidden bake element** • **Stainless steel oven door** • **Halogen oven light** • **Oven meat probe**

Self-Clean Convection



GE Profile 27" Built-In Single Oven

JK915WF White on white
• Frameless glass oven door
JK915CF Bisque on bisque (not shown)
JK915BF Black on black (not shown)

Self-Clean



GE 27" Built-In Single Oven

JKP20CF Bisque on bisque
• **Extra-large 3.9 cu. ft. self-clean oven with light self-clean option** • **Two oven racks** • **Four embossed rack positions**
JKP20WF White on white (not shown)
JKP20BF Black on black (not shown)

Standard Clean



GE 27" Built-In Single Oven

JKS06BF Black on black
• Extra-large 3.9 cu. ft. standard-clean oven
• Two oven racks

Refrigeration

Built-in Cooking

Microwave Ovens

Dishwashers

Clothes Care

Water Systems

Air Conditioning



Built-In Double and Single Ovens: 24" Electric

These models include

- Fits most 24" cabinets
- SmartSet electronic controls • Frameless glass oven doors • Designer-style handles • Two oven racks (each oven)
- Variable broil

Note: bold = feature upgrade from previous model



SmartSet electronic controls are simple to understand and easy to use. Just read and touch.



GE®
24" Built-In Double Oven

JRP24BD Black on black

Upper Oven

- Self-clean oven with Delay Clean option
- Control lock capability • Delay Bake option with Cook & Hold

Lower Oven

- Standard-clean oven • Rotary controls



GE
24" Built-In Single Oven

JRP15WW White on white

- Self-clean oven with Delay Clean option
- Control lock capability • Delay Bake option with Cook & Hold

JRP15BW Black on black (not shown)

JRS04BW Black on black (not shown)

- Standard-clean oven • Delay Bake option with Cook & Hold

Built-In Single Ovens: 24" Gas

These models include

- Fits most 24" cabinets
- SmartSet electronic controls • Electronic pilotless ignition
- Frameless glass oven door
- Designer-style handle

Note: bold = feature upgrade from previous model



Self-clean ovens provide easy clean convenience. Simply set the controls and the oven cleans itself.

Not all features available on all models. For additional features, specifications and color availability, refer to pages 184-188.

58



GE
24" Built-In Single Oven

JGRP17WEW White on white

- Self-clean oven with Delay Clean option
- Control lock capability • In-oven broiling
- Storage drawer

JGRP17BEW Black on black (not shown)



GE
24" Built-In Single Oven

JGRS14BEW Black on black

- Standard-clean oven • Separate broiler drawer



Built-In Warming Drawers: 30" and 27" Electric

These models include • Flush appearance installation • Temperature control with proof and variable settings • Crisp/Moist humidity control • ON/OFF switch • "ON" indicator light • One-half rack • Frameless drawer front • Profile handle • Removable stainless steel drawer pan • Commercial pan set or wood panel kit (available at additional cost)



Half rack provides even heat distribution and allows extra space to keep food warm and tasty before serving.



Warming drawer keeps plates warm, ready and waiting to serve that special meal.



Hidden temperature control has proof and variable settings for warming flexibility.



Optional set of commercial pans are available for 30" and 27" warming drawers.

Not all features available on all models. For additional features, specifications and color availability, refer to page 189.



GE Profile™
Built-In Warming Drawer
JTD915SF Stainless steel
• 30" width
JKD915SF Stainless steel (not shown)
• 27" width



GE Profile
Built-In Warming Drawer
JTD915WF White on white
• 30" width
JKD915WF White on white (not shown)
• 27" width
JTD915CF Bisque on bisque (not shown)
• 30" width
JKD915CF Bisque on bisque (not shown)
• 27" width



GE Profile
Built-In Warming Drawer
JTD915BF Black on black
• 30" width
JKD915BF Black on black (not shown)
• 27" width

Refrigeration

Built-in Cooking

Microwave Ovens

Dishwashers

Clothes Care

Water Systems

Air Conditioning





Built-In Cooktops

GE Profile™ and GE® cooktops cater to every cooking need and style.

GE Profile and GE cooktops make a dramatic difference in the kitchen, both in terms of appearance and performance.

Distinguished by a continuous, smooth surface, these cooktops add immediate visual interest.

High-tech features include an electronic sensor that automatically adjusts the size of the element to fit the pan, a sensor that indicates when an element is left on, and two convenient dual-size elements.



Now you can enjoy the superior performance of gas, along with ease of cleaning.

Thanks to GE innovation, serious cooks can make gas cooktops a prominent part of their kitchens without the usual worry about cleanability.

High-output or simmer burners give you precise control over heat intensity, while the smooth, sealed surface beneath these burners lets you control spills and messes. Professional-style continuous burner grates allow easy pot movement. And every model wipes clean, whether it's the deep recessed cooktop or the gas-on-glass style.





GEAppliances.com

Refrigeration

Built-in Cooking

Microwave Ovens

Dishwashers

Clothes Care

Water Systems

Air Conditioning



Electric cooktops offer an array of convenient extras.

Two dual elements let you match the element size to the size of the pan. Models with electronic controls also feature a cooking timer and lockout option. Models with a bridge element allow you to combine two elements into one large cooking surface.



Gas cooktops provide outstanding performance.

When it comes to power, our gas cooktops go to extremes. The 15,000-BTU burner supplies intense heat needed for sautéing and stir-frying. Gas cooktops also provide precise temperature control and consistent, gentle simmering.



Built-In Cooktops: 36" and 30" Electric CleanDesign

These models include • Smooth frameless ceramic-glass CleanDesign cooktop • Flush-mount installation capability (except Stainless steel models)
 • Fingerprint- and scratch-resistant patterned glass cooktop • Hot surface indicator lights **Note: bold = feature upgrade from previous model**



Electronic controls are simple to understand and easy to operate. Just read and touch.



Pan presence sensor reminds you when an element is left on and automatically shuts it off when not in use.



Helps protect your family with control lock capability.



A convenient kitchen timer lets you set a reminder at the appropriate cooking time, making precision cooking easy.

Not all features available on all models. For additional features, specifications and color availability, refer to page 190.

62



GE Profile™

36" Electronic Touch Control Cooktop

JP969BH Black on black

• Frameless cooktop • **Electronic touch controls** • **Pan presence sensor** • **Pan size sensor** • **Control lockout** • **Kitchen timer** • Five ribbon heating elements: two 6", **one 7" with warmer**, one dual (6"/9") and one dual (5"/8") element

JP969SH Stainless steel (not shown)

JP969WH White on white (not shown)

JP969CH Bisque on bisque (not shown)



GE Profile

36" Electric CleanDesign Cooktop

JP961TH True White

• Frameless true bisque cooktop • Five ribbon heating elements: two 6", one 7", one dual (6"/9") and one dual (5"/8") element

JP961SH Stainless steel (not shown)

JP961KH True Bisque (not shown)

JP961BH Black on black (not shown)



GE Profile

36" Electric CleanDesign Cooktop

JP960SC Stainless steel

• Frameless cooktop • Five ribbon heating elements: one 6", one 7", one dual (6"/9") and two 7" with connecting bridge element

JP960BC Black on black (not shown)

JP960TC True white (not shown)

JP960KC True bisque (not shown)



GE Profile

30" Electronic Touch Control Cooktop

JP939WH White on white

• Frameless cooktop • **Electronic touch controls** • **Pan presence sensor** • **Pan size sensor** • **Control lockout** • **Kitchen timer** • Four ribbon heating elements: **one 6"**, one dual (6"/9"), one 7" and one dual (5"/8") element • Four hot surface indicator lights

JP939SH Stainless steel (not shown)

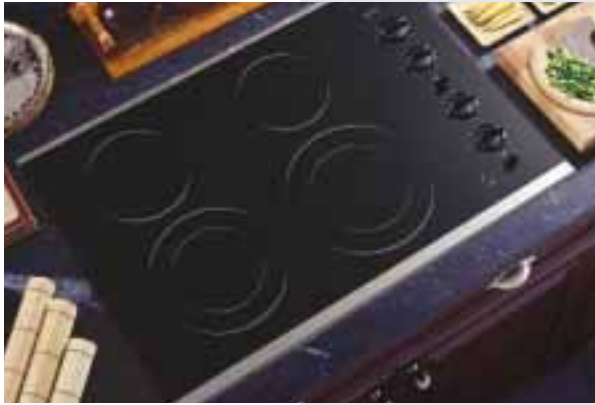
JP939CH Bisque on bisque (not shown)

JP939BH Black on black (not shown)



GEAppliances.com

Refrigeration



GE Profile

30" Electric CleanDesign Cooktop

JP931SH Stainless steel

• Frameless cooktop • Four ribbon heating elements: one 6", one 8", one dual (6"/9") and one dual (5"/8") element • Four hot surface indicator lights

JP931TH True white (not shown)

JP931KH True bisque (not shown)

JP931BH Black on black (not shown)



Built-in Cooking

Energy-efficient pan size sensor selects a 6" or 9" element to match the pan you are using.



GE Profile

30" Electric CleanDesign Cooktop

JP930TC True white

• Frameless cooktop • Four ribbon heating elements: one 6", one dual (6"/9") and two 7" with connecting bridge element • Four hot surface indicator lights

JP930SC Stainless steel (not shown)

JP930KC True bisque (not shown)

JP930BC Black on black (not shown)



Microwave Ovens

Flush-mount trim kit creates a stunning visual effect. (Not available on stainless steel models)



GE Profile

30" Electric CleanDesign Cooktop

JP350KC True bisque

• Frameless cooktop • Four ribbon heating elements: one dual (6"/9"), two 8" and one 6" • Four hot surface indicator lights

JP350SC Stainless steel (not shown)

JP350TC True white (not shown)

JP350WC White on white (not shown)

JP350BC Black on black (not shown)



Dishwashers

Bridge element for total cooking flexibility.



GE®

30" Electric CleanDesign Cooktop

JP340WC White on white

• Frameless cooktop • Four ribbon heating elements: two 6" and two 8" • Hot surface indicator light

JP340BC Black on black (not shown)

JP340CC Bisque on bisque (not shown)



Clothes Care

Dual element saves energy and provides more efficient cooking.

Water Systems

Air Conditioning



Built-In Cooktops: 36" and 30" Electric Coil

These models include • Porcelain-enameled lift-up cooktop • Two 8" and two 6" plug-in heating elements

• Infinite heat rotary controls **Note: bold = feature upgrade from previous model**



Cooktop filler trim kit available to fill in oversized cutout left by an older cooktop.



GE®
36" Electric Coil Cooktop
JP626WF White on white
• One-piece chrome drip bowls • Upfront color-matched glass control panel
JP626CF Bisque on bisque (not shown)



GE
30" Electric Coil Cooktop
JP328SF Stainless steel
• One-piece chrome drip bowls • Upfront color-matched glass control panel
JP328BF Black on black (not shown)
JP328WF White on white (not shown)
JP328CF Bisque on bisque (not shown)

Built-In Cooktops: 21" Compact



GE
21" Electric Coil Cooktop
JP201CB Stainless steel
• One 8" and one 6" plug-in heating element
• Infinite heat rotary controls • Removable one-piece chrome drip bowls • Heating element "ON" indicator light
JP202D White on white (not shown)

Not all features available on all models.
For additional features, specifications and color availability, refer to page 191.



Built-In Cooktops: 30" Electric Downdraft

These models include • Smooth frameless ceramic-glass CleanDesign cooktop • Four ribbon heating elements: one 6", one dual (6"/9") and two 7" with connecting bridge element • Four hot surface indicator lights • Powerful 400-CFM downdraft venting system • Three-speed fan • Upfront controls



GE Profile™
30" Electric Downdraft Cooktop
JP989SD Stainless steel
JP989TD True white (not shown)
JP989BD Black on black (not shown)



GE Profile
30" Electric Downdraft Cooktop
JP989KD True bisque

Refrigeration

Built-in Cooking

Microwave Ovens

Dishwashers

Built-In Cooktops: 30" Gas Downdraft

These models include • Ceramic-glass cooktop • Four sealed gas burners • Continuous cast-iron grates • Electronic pilotless ignition • Powerful 400-CFM downdraft venting system • Three-speed fan • Upfront controls **Note: bold = feature upgrade from previous model**



GE Profile
30" Gas Downdraft Cooktop
JGP989TC True white
JGP989KC True bisque (not shown)



GE Profile
30" Gas Downdraft Cooktop
JGP989BC Black on black

Clothes Care

Water Systems

Air Conditioning

For additional features, specifications and color availability, refer to pages 192-193.



Built-In Cooktops: 36" Gas

These models include • Sealed burners • Electronic pilotless ignition **Note: bold = feature upgrade from previous model**



Precise Simmer burner keeps delicate foods like sauces and gravies at a low setting.



Power Boil™ burner 15,000 BTU burner heats up fast with high power for skillets, woks or large pots.



GE glass cooktops are sleek and easy to clean. The flat surface and sealed burners make cleanup a snap.



GE Profile™
36" Deep Stainless Gas Cooktop
JGP963SEF Stainless steel
 • **Deep stainless cooktop** • Continuous deluxe cast-iron grates • Five sealed gas burners • 15,000 BTU Power Boil™ burner • High Output burner • Two Precise Simmer burners • Dishwasher-safe grates



GE Profile
36" Deep Porcelain Gas Cooktop
JGP963BEC Black on black
 • **Deep porcelain cooktop** • Continuous deluxe cast-iron grates • Five sealed gas burners • 15,000 BTU Power Boil burner • High Output burner • Two Precise Simmer burners • Dishwasher-safe grates
JGP963WEC White on white (not shown)
JGP963CEC Bisque on bisque (not shown)



GE Profile
36" Gas on Glass Cooktop
JGP962SEC Stainless steel
 • **Gas on glass ceramic cooktop** • Continuous deluxe cast-iron grates • Five sealed gas burners • 15,000 BTU Power Boil burner • High Output burner • Two Precise Simmer burners • Dishwasher-safe grates
JGP962TEC True white (not shown)
JGP962KED True bisque (not shown)
JGP962BEC Black on black (not shown)



GE®
36" Gas Cooktop
JGP960SED Stainless steel
 • Tempered glass cooktop • Deluxe cast-iron grates • Five sealed gas burners • Two Precise Simmer burners • High Output burner

For additional features, specifications and color availability, refer to page 194.



GEAppliances.com

Refrigeration



GE
36" Gas Cooktop
JGP636CED Bisque
 • Tempered glass cooktop • Deluxe cast-iron grates • Five sealed gas burners • Two Precise Simmer burners • High Output burner
JGP636WED White on white (not shown)
JGP636BED Black on black (not shown)

Built-in Cooking



GE
36" Deep Porcelain Gas Cooktop
JGP628CEC Bisque
 • Deep porcelain cooktop • Precise Simmer burner • Continuous grates
JGP628WEC White on white (not shown)
JGP628BEC Black on black (not shown)

Microwave Ovens

Dishwashers

Built-In Cooktop: 36" Gas Downdraft



GE Profile
36" Gas Integrated Downdraft Cooktop
JGP656WB White on white
 • Tempered glass cooktop • Four sealed gas burners • Cast-iron grates • Electronic pilotless ignition • 350-CFM retractable downdraft venting system • Upfront variable-speed fan control • JXBA56WW or JXBA56BB Downdraft Venting Kit required for installation
 • Optional JXR57 kit for installation of blower and motor below the floor. Use optional GE accessory cover (JXBC57) for outdoor installation of blower and motor.
JGP656BB Black on black (not shown)

Available through June 2003

Clothes Care

Water Systems

Air Conditioning

Not all features available on all models. For additional features, specifications and color availability, refer to pages 194-195.



Built-In Cooktops: 30" Gas

These models include • Sealed burners (except JGP320) • Electronic pilotless ignition

Note: bold = feature upgrade from previous model



Precise Simmer burner keeps delicate foods like sauces and gravies at a low setting.



Power Boil™ burner 15,000 BTU burner heats up fast with high power for skillets, woks or large pots.



GE glass cooktops are sleek and easy to clean. The flat surface and sealed burners make cleanup a snap.



GE Profile™ 30" Deep Stainless Gas Cooktop

JGP933SEF Stainless steel
• **Deep stainless cooktop** • Continuous deluxe cast-iron grates • Four sealed gas burners • 15,000 BTU Power Boil burner • High Output burner • Precise Simmer burner • Dishwasher-safe grates

JGP933WEC White on white (not shown)
• Deep porcelain cooktop

JGP933CEC Bisque on bisque (not shown)

JGP933BEC Black on black (not shown)



GE Profile 30" Gas on Glass Cooktop

JGP932KED True bisque
• Gas on glass ceramic cooktop • Continuous deluxe cast-iron grates • Four sealed gas burners • 15,000 BTU Power Boil burner • High Output burner • Precise Simmer burner • Dishwasher-safe grates

JGP932TEC True white (not shown)



GE Profile 30" Gas on Glass Cooktop

JGP932BEC Black on black
• **Gas on glass ceramic cooktop** • **Continuous deluxe cast-iron grates** • Four sealed gas burners • 15,000 BTU Power Boil burner • High Output burner • Precise Simmer burner • Dishwasher-safe grates

JGP932SEC Stainless steel (not shown)



GE® 30" Gas Cooktop

JGP930SED Stainless steel
• Tempered glass cooktop • Deluxe cast-iron grates • Four sealed gas burners • Precise Simmer burner • High Output burner

Not all features available on all models. For additional features, specifications and color availability, refer to page 194.



GE
 30" Gas Cooktop
JGP336WED White on white
 • Tempered glass cooktop • Deluxe cast-iron grates • Four sealed gas burners • Precise Simmer burner • **High Output burner**
JGP336CED Bisque on bisque (not shown)
JGP336BED Black on black (not shown)



GE
 30" Deep Porcelain Gas Cooktop
JGP328BEC Black on black
 • **Deep porcelain cooktop** • Four sealed gas burners • Precise Simmer burner • **Continuous grates**
JGP328WEC White on white (not shown)
JGP328CEC Bisque on bisque (not shown)



GE
 30" Gas Cooktop
JGP326WEF White on white
 • Four sealed gas burners • **Precise Simmer burner**
JGP326CEF Bisque on bisque (not shown)
JGP326BEF Black on black (not shown)



GE
 30" Gas Cooktop
JGP320EV White or black
 • Lift-up cooktop • Glass control panel
 • Standard porcelain-steel grates • Four standard gas burners



Built-In Cooktops: Downdraft Electric Select-Top™ Modular

These models include • Infinite heat rotary controls • Powerful 400-CFM downdraft venting system
 • Heating element "ON" indicator light **Note: bold = feature upgrade from previous model**

Optional Select-Top™ Modules (available at additional cost)



Grill Module
 Front and rear controlled heating element for more cooking flexibility and energy savings. One-piece grill grate and porcelain-enameled reflector pan can be removed for cleaning in sink or dishwasher.



Griddle Accessory
 (For use with optional grill module) Place over heating element and reflector pan from optional grill module. Griddle accessory has a non-stick coating and is self-draining.



Ribbon Module
 Patterned glass top with one 8" and one 6" ribbon heating element.



Coil Module
 One 8" and one 6" plug-in coil heating element with removable one-piece drip bowls.



Grill Cover
 Covers grill area when not in use. Available in Black on black and White on white.



GE®
30" Dual Modular Cooktop
JP389WD White on white
 • Three-speed fan • Porcelain-enameled cooktop
 • Both sides accept optional cooking modules
 Shown with optional Ribbon module JXDR50VW and Grill module JXDL44N.



GE
30" Dual Modular Cooktop
JP389BD Black on black
 • Three-speed fan • Porcelain-enameled cooktop
 • **Both sides accept optional cooking modules**
 Shown with optional Ribbon modules JXDR50VB.

Optional Modules (available at additional cost)	Models	
	JP389WD	JP389BD
Coil Module	JXDC44RWH	JXDC43RBL
Ribbon Module	JXDR50VW	JXDR50VB
Grill Module	JXDL44N	JXDL44N
Griddle Accessory	JXDD44R	JXDD44R
Grill Cover	JXDM3	JXDM2

For additional features, specifications and color availability, refer to page 196.



Built-In Cooktops: 30" Downdraft Gas Modular



GE Profile

30" Single Modular Gas Cooktop

JGP979SEF Stainless steel

- Gas cooktop burner module (right side)
- Left side accepts optional cooking modules
- Powerful downdraft venting • Electronic pilotless ignition • Upfront controls

Shown with optional Grill module JXGG79.

JGP979WEF White on white (not shown)

JGP979BEF Black on black (not shown)

Note: Unit not LP convertible.

Optional Modules (available at additional cost)

Two-burner gas module JXGB79W—White on white JXGB79B—Black on black	Griddle for use with optional Grill module JXGL89 Grill Cover JXGC89W—White on white JXGC89B—Black on black
Gas grill module JXGG79	

Common Cooktop Cutouts

Common Cutouts—30" Cooktops

Dimensions (W x D)	Model #	Description
28-1/2" x 19-5/8"	JP939	CleanDesign
	JP931	CleanDesign
	JP930	CleanDesign
	JP350	CleanDesign
	JP340	CleanDesign
	JP328	Calrod®
	JGP933—Gas	Sealed Burner
	JGP932—Gas	Sealed Burner
	JGP930—Gas	Sealed Burner
	JGP336—Gas	Sealed Burner
	JGP328—Gas	Sealed Burner
	JGP326—Gas	Sealed Burner
	JGP320—Gas	Standard Burner
	28-7/8" x 20-5/8"	JP989
JP389		Modular Downdraft
JP380		Patio Grill
JGP989—Gas		Gas Downdraft
29" x 21"	JGP979—Gas	Modular Downdraft

Common Cutouts—36" Cooktops

Dimensions (W x D)	Model #	Description
33-7/8" x 19-1/8"	JP969	CleanDesign
	JP961	CleanDesign
	JP960	CleanDesign
	JP626	Calrod®
	JGP963—Gas	Sealed Burner
	JGP962—Gas	Sealed Burner
	JGP960—Gas	Sealed Burner
	JGP636—Gas	Sealed Burner
	JGP628—Gas	Sealed Burner
	JGP656—Gas	Sealed Burner Downdraft
34-9/16" x 21"		

For additional features, specifications and color availability, refer to pages 196-197.

Refrigeration

Built-in Cooking

Microwave Ovens

Dishwashers

Clothes Care

Water Systems

Air Conditioning





GE® Slide-In and Drop-In Ranges

The perfect fit.

GE slide-in and drop-in ranges fit every kitchen decor and cooking style. Slide-in ranges are available in electric or gas configurations and they install nearly flush with surrounding cabinetry and counters, creating a dramatic effect. Accenting the contemporary design is the sleek stainless exterior, which complements just about any color or wood finish.



72

GE slide-in and drop-in ranges give the effect of added space, opening up kitchens and making them more inviting.





Versatile features are the key ingredients to our slide-in and drop-in ranges.



Precise Air™ convection

This exclusive system uses an innovative fan that rotates one way, then reverses direction for optimal air and heat circulation. Plus, a third heating element surrounds the fan and delivers consistent heat for true European convection.



Electric cooktop versatility

Innovative heating elements make cooktop cooking easy. Combine two separate elements into one large bridge element, adjust a dual element to 6" or 9", or use a convenient fifth warming element for keeping foods warm and ready to serve.



Electronic control panel

The electronic control panel is innovatively styled with glass touch controls, a digital display and sleek, easy-turn dials. Plus, it's ergonomically angled for optimal, user-friendly operation.



Gas cooktop versatility

Four convenient burner sizes satisfy every cooktop need from boiling to simmering. The continuous grate surface makes it easy to slide pans between burners.

Not all features available on all models.





Slide-In Ranges: 30" Electric

These models include • TrueTemp™ system • **Big ClearView™** window • **Four hot surface indicator lights** • **Fingerprint- and scratch-resistant patterned ceramic-glass CleanDesign cooktop** • **Optional closed door broiling** • **Certified Sabbath mode** • **Extra-large self-clean oven with Delay Clean option** • **Control lock capability** • **Custom built-in look with simple slide-in installation** Note: bold = feature upgrade from previous model



Bridge element for total cooking flexibility.



The warming zone is a great way to keep food warm and ready to enjoy or melt butter or chocolate.



Fast and easy cleanup is made possible through our CleanDesign oven interior/hidden bake element.



Optional backguard kit attaches to the back of range when unit is installed into a free-standing cutout.

Not all features available on all models. For additional features, specifications and color availability, refer to pages 198-199.



GE Profile™

30" Slide-In CleanDesign Convection Range

JS968SF Stainless steel
 • **Precise Air™** convection system • **Single-rack and multi-rack convection bake** • **Convection Roast**
 • **Auto Recipe™** conversion • **Proof mode** • **Warm mode** • **Stainless steel oven door with window**
 • **Three heavy-duty racks** • **Halogen interior oven light** • **Electronic glass touch controls** • **Two 7" ribbon heating elements with connecting bridge element** • **One dual (6"/9") and one 6" ribbon heating element** • **Fifth element warming zone**
 • **CleanDesign oven interior/hidden bake element**

JS968TF True white (not shown)

JS968KF True bisque (not shown)

JS968BF Black on black (not shown)



GE Profile

30" Slide-In CleanDesign Convection Range

JSP57WF White on white
 • **Precise Air convection system** • **Convection bake** • **Convection roast** • **Auto Recipe conversion**
 • **Frameless glass oven door** • **Electronic controls**
 • **Two 7" ribbon heating elements with connecting bridge element** • **One 6" and one dual (6"/9") ribbon heating element** • **CleanDesign oven interior/hidden bake element**

JSP57CF Bisque on bisque (not shown)

JSP57BF Black on black (not shown)



GE Profile

30" Slide-In CleanDesign Electric Range

JSP47CF Bisque on bisque
 • **Electronic controls** • **Two 8", one 6" and one dual (6"/9") ribbon heating element**
 • **Frameless glass oven door**

JSP47WF White on white (not shown)

JSP47BF Black on black (not shown)





Slide-In Ranges: 30" Electric

These models include • Lift-up overhanging porcelain-enameled cooktop • Two 8" and two 6" plug-in Calrod® heating elements
• Electronic clock and kitchen timer • Custom built-in look with simple slide-in installation **Note: bold = feature upgrade from previous model**



Optional backguard kit for use with or without countertop backsplash.



Optional end cap kit for use when countertop has been notched for end caps.



Vertical side trim kit to close gap between range and adjacent base cabinet.



GE® 30" Slide-In Electric Coil Range

JSP34WD White on white

• Electronic controls • Self-clean oven with Delay Clean option • Frameless glass oven door with designer-style handle • Control lock capability

JSP34CD Bisque on bisque (not shown)

JSP34BD Black on black (not shown)



GE 30" Slide-In Electric Coil Range

JSP26BD White or Bisque

• **Electronic controls** • **Self-clean oven with Delay Clean option** • **Control lock capability** • Frameless glass oven door with designer-style handle



GE 30" Slide-In Electric Coil Range

JSS26BD Black on black

• Standard-clean oven • **Frameless glass oven door with designer-style handle**

JSS16PD White or Bisque (not shown)

• Standard-clean oven • Color-matched oven door • Visor handle

Not all features available on all models.
For additional features, specifications and color availability, refer to pages 198-199.

Refrigeration

Built-in Cooking

Microwave Ovens

Dishwashers

Clothes Care

Water Systems

Air Conditioning





Slide-In Ranges: 30" Dual-Fuel

These models include • Gas cooktop • **Precise Air™ electric convection system** • TrueTemp™ system • Warming drawer • Electronic controls • Extra-large self-clean oven • Electronic clock and automatic oven timer • Sealed burners • Continuous grates • Power Boil™ 15,000 BTU burner • Precise Simmer burner • High Output burner • Three oven racks • Six embossed rack positions • In-oven broiling • Extra-large broiler pan with grid • Interior oven light • Electronic pilotless ignition • Certified Sabbath mode

Note: bold = feature upgrade from previous model



Precise Air™ convection uses an innovative fan that reverses direction for optimal air and heat circulation.



Power Boil™ burner with 15,000 BTU, provides maximum output for fast heat-up and boiling.



Precise Simmer burner allows for low, even heat distribution for delicate foods and sauces.



Upfront glass touch controls look great and are easy to clean.



Available May 2003

GE Profile™ 30" Slide-In Dual-Fuel Range with Warming Drawer

J2S968SH Stainless steel
• **Precise Air electric convection system** • **Electric Convection Bake** • **Electric Convection Roast**
• Auto Recipe™ conversion • Warm mode • Proof mode • Gas on glass cooktop • Glass touch controls
• Stainless steel oven door with Big ClearView™ window • Oven meat probe • Stainless steel insert included with warming drawer



Available May 2003

GE Profile™ 30" Slide-In Dual-Fuel Range with Warming Drawer

J2S968BH Black on black
• Frameless glass oven door with Big ClearView™ window



Available May 2003

GE Profile™ 30" Slide-In Dual-Fuel Range with Warming Drawer

J2S968KH True bisque
J2S968TH True white (not shown)

Not all features available on all models.
For additional features, specifications and color availability, refer to pages 200-201.





Slide-In Ranges: 30" Gas

These models include • Electronic pilotless ignition • **Frameless glass oven door with window** • Interior oven light • Broiler pan with grid

Note: bold = feature upgrade from previous model



High Output burner supplies the intense heat needed for boiling and sautéing.



Sealed burner design helps contain spills from dripping beneath cooktop for easy cleaning.



Extra-large capacity allows you to cook more at once.



GE Profile™ Available May 2003
30" Slide-In Gas Range

JGS968TH True white
• Power Boil™ burner • High Output burner
• Precise Simmer burner • Sealed burners
• Continuous grates • Gas on glass cooktop
• Convection bake • Convection roast • Auto Recipe™ conversion • Warm mode • Proof mode
• Glass touch controls • TrueTemp system

JGS968KH True bisque (not shown)

JGS968SH Stainless steel (not shown)

JGS968BH Black on black (not shown)



GE Profile™ Available May 2003
30" Slide-In Gas Range

JGSP4BH Black on black
• Two High Output burners • Precise Simmer burner • Sealed burners • Continuous grates
• Gas on glass cooktop • Electronic oven controls
• TrueTemp system • Self-clean oven with light self-clean option • Frameless glass oven door with Big ClearView window • Control lock capability
• Certified Sabbath mode

JGSP48CH Bisque on bisque (not shown)

JGSP48WHWW White on white (not shown)



GE®
30" Slide-In Gas Range

JGSP23WEY White on white
• SmartSet electronic controls • Sealed burners
• Standard Simmer burner • Self-clean oven
• Control lock capability • Standard-cast grates
• Storage drawer

JGSP23BEY Black on black (not shown)



GE
30" Slide-In Gas Range

JGSS05BEA Black on black
• Extra-large standard-clean oven • Black porcelain-enameled lift-up cooktop • Separate broiler drawer with extra-large broiler pan and grid • Standard porcelain-steel grates

Refrigeration

Built-in Cooking

Microwave Ovens

Dishwashers

Clothes Care

Water Systems

Air Conditioning

Models shown with required filler strip provided.

Not all features available on all models. For additional features, specifications and color availability, refer to pages 200-201.





Drop-In Ranges: 30" Electric

These models include

- SmartSet electronic controls
- Self-clean oven with delay option
- Control lock capability

Note: bold = feature upgrade from previous model



Electronic controls are simple to understand and easy to operate. Just read and touch.



The warming zone is a great way to keep food warm and ready to enjoy.



Bridge element for total cooking flexibility.



Fast and easy cleanup is made possible through our CleanDesign oven interior/hidden bake element.

Not all features available on all models. For additional features, specifications and color availability, refer to pages 202-203.



GE Profile 30" Drop-In Convection Range

JD968SF Stainless steel

- Precise Air™ convection system
- Single-rack and multi-rack convection bake
- Convection roast
- Auto Recipe™ conversion
- Electronic glass touch controls
- Proof mode
- Warm mode
- Stainless steel oven door with window
- Three heavy-duty racks
- Halogen interior oven light
- Certified Sabbath mode
- Two 7" ribbon heating elements with connecting bridge element
- One dual (6"/9") and one 6" ribbon heating element
- Fifth element warming zone
- CleanDesign oven interior/hidden bake element

JD968TF True white (not shown)

JD968KF True bisque (not shown)

JD968BF Black on black (not shown)



GE Profile 30" Drop-In Electric Range

JDP47CF Bisque on bisque

- Extra-large self-clean oven with Delay Clean option
- Two 8", one 6" and one dual (6"/9") ribbon heating element
- Four hot surface indicator lights
- Fingerprint- and scratch-resistant ceramic-glass CleanDesign cooktop
- Frameless glass oven door with Big ClearView™ window
- Certified Sabbath mode

JDP47WF White on white (not shown)

JDP47BF Black on black (not shown)



GE 30" Drop-In Electric Range

JDP39BW Black on black

- Lift-up overhanging cooktop
- Two 8" and two 6" plug-in heating elements
- Removable one-piece drip bowls
- Frameless glass oven door with window
- Designer-style handle

JDP39WW White on white (not shown)



GE 30" Drop-In Electric Range

JDP36BW White

- Lift-up overhanging cooktop
- Two 8" and two 6" plug-in heating elements
- Removable one-piece drip bowls
- Frameless glass oven door with window
- Designer-style handle

JDP36BD Bisque (not shown)

JDS26BW White (not shown)

• Standard-clean oven

JDS26BD Bisque (not shown)

• Standard-clean oven





Drop-In Spacemaker™ Ranges: 27" Electric

These models include • Lift-up overhanging porcelain-enameled cooktop • One 8" and three 6" plug-in Calrod® heating elements
• Frameless glass oven door • Big View window • Chrome drip bowls **Note: bold = feature upgrade from previous model**



Electronic oven control provides convenient cooking functions.



Calrod® heating elements unplug for easy removal of one-piece drip bowls for cleaning and access to the subtop.



GE Profile™ 27" Drop-In Electric Range

JMP31WC White on white
• Self-clean oven with automatic oven door lock
• Electronic clock and kitchen timer • Auto oven shut-off • **Sure Grip designer-style handle**



GE® 27" Drop-In Electric Range

JMP28BC White
• Self-clean oven with automatic oven door lock
• Electronic clock and minute timer • Auto oven shut-off
JMP28BD Bisque (not shown)



GE®
27" Drop-In Electric Range
JMS08BD Bisque or White (not shown)
• Standard-clean oven

Optional Backguards

White or black painted finish is available at additional cost for all models.
JX27RWH – White, JX27RBK – Black

Not all features available on all models.
For additional features, specifications and color availability, refer to page 204.

Refrigeration

Built-in Cooking

Microwave Ovens

Dishwashers

Clothes Care

Water Systems

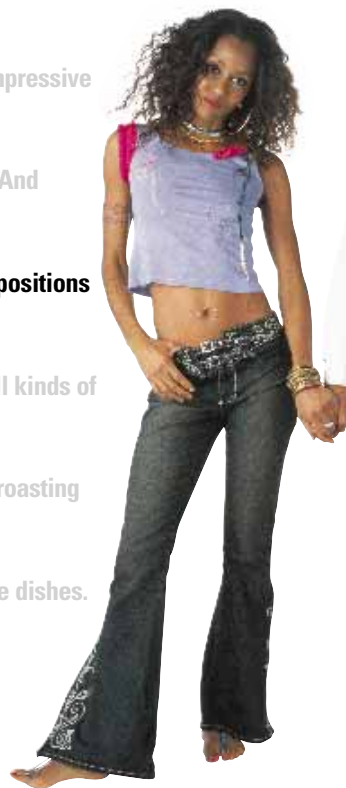
Air Conditioning





Exremely versatile,
incredibly accurate GE ranges.

GE electric ranges present a number of exciting possibilities. The cooktop offers tremendous flexibility with a warming zone and expandable heating elements. GE TrueTemp™ technology provides maximum oven control. This technology helps keep the temperature uniform throughout the oven cavity. If it's cooking space you crave, you're in for a big surprise! The 5.0 cu. ft. oven can handle an impressive quantity of food. And adjustable rack positions make room for all kinds of cookware, from roasting pans to casserole dishes.



Warming zone

Keep food warm and ready to enjoy with this new fifth element, conveniently placed in the rear center of the cooktop.



Self-clean heavy-duty oven racks

Clean your oven and the racks! Made from the same material as the oven interior, these new racks can remain in the oven during the self-clean mode.



Big ClearView™ window

Now you don't have to open the oven door to check the progress of your food. The new window is extra-large and see-through.



Capacity

The extra-large capacity oven, featuring six adjustable rack positions, gives you the flexibility to cook more at once.





GEAppliances.com

Refrigeration

Free-Standing Electric Ranges

Microwave Ovens

Dishwashers

Clothes Care

Water Systems

Air Conditioning





GE Spectra™ Electric Ranges

True European convection capability lets you cook bigger and better.



Our convection ranges feature “true European convection” cooking by means of a third dual-loop heating element located in the back wall. A fan evenly circulates air throughout the oven cavity. This process delivers uniform, savory results.



Superior roasting.

Convection cooking has long been praised by professional chefs and bakers. And it's no wonder. Roasting time is reduced, with more consistent results.



Perfect baking.

GE convection ovens also deliver exceptional baking results. They bake desserts and breads to golden perfection.



Ceramic-glass cooktop.



The oven is self-cleaning, of course. But for most families, 80% of the cooking is done on the cooktop. You can see in a glance just how easy it is to wipe the smooth ceramic-glass cooktop clean.

Responsive.

The warming zone adds a fifth element to the center of the cooktop, so you can keep foods warm and ready to serve. Add the bridge element and the dual 6"/9" element, and you have a cooktop rich in features that fit your lifestyle.

Attractive and practical.

The elegantly designed control panel features smooth, glass-touch controls that are easier to wipe clean. Expanded “true” color choices for the cooktop add a nice touch.

Not all features available on all models.

82

A simple guide to GE's QuickSet oven controls



QuickSet II

- Dual element bake
- Digital temperature display with recall
- Oven preheat light
- Electronic digital clock
- Electronic reminder timer, up to 12 hours
- Audible preheat signal
- 12-Hour automatic oven shut-off
- Self-clean countdown digital display, including cool down
- Auto self-clean



QuickSet III

Same as QuickSet II, plus:

- Automatic oven control
- Delay bake
- Delay self-clean
- Adjustable self-clean cycle time



QuickSet IV

Same as QuickSet III, plus:

- Auto self-clean
- All touch pad control
- Large digital temperature display
- Variable broil



QuickSet V

Same as QuickSet IV, plus:

- Temperature probe
- Extra-large graphics and touch pads
- Digital glass touch pad control (0-9) entry
- Oven function icons





CleanDesign: Convection

These models include • The most dependable ranges you can buy! • Super-large 4.5 cu. ft. capacity oven • TrueTemp™ system • **True European convection oven with dedicated third, dual-loop heating element** • **Convection Bake** • **Convection Roast** • Warming zone • Dual element bake • Six-pass power bake element • SmartLogic™ electronic control • Certified Sabbath mode • Electronic digital clock and oven controls • Easy-view hot lights • One-piece upswept cooktop • Ceramic-glass cooktop • Automatic self-clean oven latch • **Three oven racks, one off-set** • Automatic oven light/pad • Big ClearView™ window • Storage drawer • Four leveling legs

Note: bold = feature upgrade from previous model



True European convection delivers consistent heat, cooking foods to absolute perfection.



The smooth panel features easy-to-clean glass touch controls.



Self-clean heavy-duty oven racks are designed for hands-free cleaning.



CleanDesign oven interior has a hidden bake element and a smooth seamless surface, making cleanup easier than ever.

Not all features available on all models. For additional features, specifications and color availability, refer to pages 204-205.



GE Profile™

30" Free-Standing Spectra™ Convection Range

JBP95SF Stainless steel

- **CleanDesign oven interior/hidden bake element**
- **QuickSet V with glass touch controls (see page 82)**
- **Self-clean heavy-duty oven racks** • Middle rear 6" warming zone • **Automatic meat thermometer**
- **Two 7" ribbon heating elements with connecting bridge element** • One dual 6"/9" and one 6" ribbon heating element • Stainless steel oven door with Sure Grip handle



GE Profile™

30" Free-Standing Spectra™ Convection Range

JBP95TF True white

- Frameless glass oven door with Sure Grip handle

JBP95KF True bisque (not shown)

JBP95BF Black on black (not shown)



GE Profile

30" Free-Standing Spectra Convection Range

JBP90KF True bisque

- Frameless glass oven door with Sure Grip handle
- **QuickSet V oven controls (see page 82)**
- Middle rear 6" warming zone • One dual 6"/9", one 8", and two 6" ribbon heating elements

JBP90SF Stainless steel (not shown)

- Stainless steel oven door with Sure Grip handle

JBP90TF True white (not shown)

JBP90BF Black on black (not shown)

Refrigeration

Free-Standing Electric Ranges

Microwave Ovens

Dishwashers

Clothes Care

Water Systems

Air Conditioning



CleanDesign

These models include • The most dependable ranges you can buy! • Super-large 5.0 cu. ft. capacity oven • TrueTemp™ system • Self-clean oven • **Warming zone** • Dual element bake • Six-pass power bake element • SmartLogic™ electronic control • **QuickSet IV oven controls** (see page 82) • **Certified Sabbath mode** • **Electronic digital clock and oven controls** • Easy-view hot lights • One-piece upswept cooktop • New ceramic-glass cooktop • Automatic oven light • **Big ClearView™ window** • Storage drawer • Leveling legs

Note: bold = feature upgrade from previous model



A simple switch bridges two elements into one large cooking surface.



This warming zone has three levels to help keep foods warm and ready to serve.



The Big ClearView window helps you see cooking food clearly and easily.



More cooking capacity gives you the ability to cook more at once.

Not all features available on all models. For additional features, specifications and color availability, refer to pages 204-205.

84



GE®
30" Free-Standing Spectra™ Electric Range

JBP82SF Stainless steel
• **Two 7" ribbon heating elements with connecting bridge element** • One dual 6"/9" and one 6" ribbon heating element • Middle rear 6" warming zone • **Stainless steel oven door with designer-style handle** • **Automatic self-clean oven latch**

JBP82BF Black on black
• Frameless glass oven door with designer-style handle

JBP82TF True white (not shown)

JBP82WF White on white (not shown)

JBP82KF True bisque (not shown)

JBP82CF Bisque on bisque (not shown)



GE
30" Free-Standing Spectra Electric Range

JBP80SF Stainless steel
• **One 8" and two 6", and one dual 6"/9" ribbon heating element** • **Middle rear 6" warming zone** • **Stainless color oven door with designer-style handle**



GE
30" Free-Standing Spectra Electric Range

JBP80TF True white
• Frameless glass oven door with designer-style handle

JBP80WF White on white (not shown)

JBP80KF True bisque (not shown)

JBP80CF Bisque on bisque (not shown)

JBP80BF Black on black (not shown)



CleanDesign

These models include • The most dependable ranges you can buy! • Super-large 5.0 cu. ft. capacity oven • Self-clean oven • Dual element bake • One-piece upswept cooktop • **Patterned ceramic-glass cooktop** • **Easy-view hot lights** • Frameless glass oven door with designer-style handle • Storage drawer • Four leveling legs **Note: bold = feature upgrade from previous model**



More cooking capacity gives you the ability to cook more at once.



TrueTemp system provides even heat distribution and maximum oven control.



Six-pass power bake provides more power, total coverage and even cooking.



Dual element bake for even baking and roasting.

Accessory Information
For easy cleaning of the cooktop, GE provides one cleaning pad and one 2.5-oz. bottle of cleaning creme with each range. For additional supply, call toll-free 1-800-626-2002.

Not all features available on all models. For additional features, specifications and color availability, refer to pages 204-205.



GE®
30" Free-Standing Spectra™ Electric Range
JBP69SF Stainless steel
• **One 6"/9" dual, one 8" and two 6" ribbon heating elements** • TrueTemp™ system • QuickSet III oven controls (see page 82) • Six-pass power bake element • **Big View window**
JBP69WF White on white (not shown)
JBP69CF Bisque on bisque (not shown)
JBP69BF Black on black (not shown)



GE
30" Free-Standing Electric Range
JBP68WD White on white
• QuickSet II oven controls (see page 82)
• Two 8" and two 6" ribbon heating elements
• **Big View window**
JBP68CD Bisque on bisque (not shown)
JBP64WB White on white
• **Same as JBP68WD except has standard window**
JBP64BB White or Bisque (not shown)



GE
30" Free-Standing Spectra Electric Range
JBP66WB White on white
• **TrueTemp system** • **QuickSet III oven controls (see pg. 82)** • Two 8" and two 6" ribbon heating elements
• Six-pass power bake element • Standard window
JBP66CB Bisque on bisque (not shown)
JBP66BB White or Bisque (not shown)



GE
30" Free-Standing Electric Range
JBP61BD White
• **QuickSet II oven controls (see page 82)**
• Two 8" and two 6" ribbon heating elements
• Standard window • Interior oven light switch

Refrigeration

Free-Standing Electric Ranges

Microwave Ovens

Dishwashers

Clothes Care

Water Systems

Air Conditioning



QuickClean™ Self-Clean

These models include • The most dependable ranges you can buy! • Super-large 5.0 cu. ft. capacity oven • **Self-clean oven** • Dual element bake • Frameless glass oven door • Designer-style handle • CleanWell™ cooktop system • Lift-up cooktop • Plug-in Calrod® heating elements, two 8" and two 6" • Heating element "ON" indicator lights • **Auto oven shut-off with override** • Removable full-width storage drawer • Four leveling legs • Removable one-piece drip bowls **Note: bold = feature upgrade from previous model**



More cooking capacity gives you the ability to cook more at once.



TrueTemp system provides even heat distribution and maximum oven control.



Six-pass power bake provides more power, total coverage and even cooking.



Clean-Well cooktop system contains spills so cleanup is simple.

Not all features available on all models. For additional features, specifications and color availability, refer to pages 206-207.

86



GE Profile™ 30" Free-Standing Spectra™ Electric Range

JBP48BB Black on black
• TrueTemp™ system • SmartLogic™ electronic controls • Six-pass power bake element • **Right rear 6" element with warming zone** • Big View window • **QuickSet IV oven controls (see page 82)** • **Sure Grip handle** • **Automatic interior oven light**
JBP48WB White on white (not shown)
JBP48CB Bisque on bisque (not shown)



GE® 30" Free-Standing Spectra Electric Range

JBP35WB White on white
• TrueTemp system • SmartLogic electronic controls • Six-pass power bake element
• **Big View window** • QuickSet III oven controls (see page 82) • Interior oven light switch
• **Certified Sabbath mode**
JBP35CD Bisque on bisque (not shown)
JBP35ED Black on black (not shown)
JBP35BB White or Bisque (not shown)



GE 30" Free-Standing Spectra Electric Range

JBP30WB White on white
• TrueTemp system • SmartLogic electronic controls • Six-pass power bake element • QuickSet III oven controls (see page 82) • **Deluxe Calrod heating elements** • **Porcelain drip bowls** • Interior oven light switch
JBP30CB Bisque on bisque (not shown)
JBP30BB White or Bisque (not shown)



GEAppliances.com



GE
30" Free-Standing Spectra
Electric Range

JBP26WB White on white
• TrueTemp system • SmartLogic electronic controls • Six-pass power bake element
• Standard window • QuickSet III oven controls (see page 82) • Interior oven light switch

JBP26CB Bisque on bisque (not shown)

JBP26ED Black on black (not shown)

JBP26BB White or Bisque (not shown)



Calrod heating elements provide even heat distribution for better cooking performance.



Lift-up cooktop locks into place for easy cleaning.

Refrigeration

Free-Standing Electric Ranges

Microwave Ovens

Dishwashers

Clothes Care

Water Systems

Air Conditioning



GE
30" Free-Standing Electric Range

JBP24BB White or Bisque
• Standard window • QuickSet II oven controls (see page 82) • Interior oven light switch

JBP24WB White on white (not shown)



GE
30" Free-Standing Electric Range

JBP21WC White on white
• QuickSet II oven controls (see page 82)
• Interior oven light switch

JBP21BC White, Bisque or Almond (not shown)



QuickClean™ Standard-Clean

These models include • The most dependable ranges you can buy! • Clean-Well™ cooktop system • Heating element “ON” indicator light • Removable full-width storage drawer • Four leveling legs • Removable one-piece chrome drip bowls • Standard-clean oven

Note: bold = feature upgrade from previous model



Lift-up cooktop locks into place for easy cleaning.



Clean-Well cooktop system contains spills so clean-up is simple.



Calrod heating elements provide even heat distribution for better cooking performance.



GE® 30" Free-Standing Electric Range

JBS27BC White or Bisque

- Super-large 5.0 cu. ft. capacity oven • **Lift-up cooktop** • **Plug-in Calrod® heating elements, two 8" and two 6"** • Electronic digital clock and minute timer • **Frameless glass oven door**
- Designer-style handle • Interior oven light switch

JBS27WC White on white (not shown)

JBS27CC Bisque on bisque (not shown)



GE 30" Free-Standing Electric Range

JBS26C White or Bisque

- Super-large 5.0 cu. ft. capacity oven
- Plug-in Calrod heating elements, two 8" and two 6" • **Electronic digital clock and minute timer** • Color-matched porcelain oven door with window • Designer-style handle
- Interior oven light switch



GE 30" Free-Standing Electric Range

JBS07C White on white

- **Super-large 5.0 cu. ft. capacity oven**
- Plug-in Calrod heating elements, one 8" and three 6" • Porcelain oven door with window • **Designer-style handle** • Interior oven light switch

Not all features available on all models. For additional features, specifications and color availability, refer to pages 206-207.



GEAppliances.com



GE
30" Free-Standing Electric Range
JBS15F White or Bisque
• 5.0 cu. ft. capacity oven • Dual element bake
• Upfront controls • Plug-in heating elements, one 8" and three 6" • **Color-matched porcelain oven door with window** • Chrome visor handle
• **Interior oven light switch**
(Does not have Clean-Well cooktop system)



GE
30" Free-Standing Electric Range
JBS03BC White or Bisque
• Super-large 5.0 cu. ft. capacity oven • Plug-in Calrod heating elements, one 8" and three 6" • **Frameless solid black glass oven door** • **Designer-style handle**
JBS03C White, Bisque or Almond (not shown)
• Solid color-matched oven door • Chrome visor handle



More cooking capacity gives you the ability to cook more at once.

Refrigeration

Free-Standing Electric Ranges

Microwave Ovens

Dishwashers

Clothes Care

Water Systems

Air Conditioning

40" Self-Clean & Standard-Clean

These models include • Storage drawer • Porcelain, lift-off oven door with window • Interior oven light • Two 6" and two 8" heating elements **Note: bold = feature upgrade from previous model**



Easy-to-use electronic controls provide cooking convenience.



GE
40" Free-Standing Electric Range
JCP67F White on white
• **Self-clean master oven** • **Standard-clean companion oven** • Electronic clock and automatic master oven timer
JCS57F White on white (not shown)
• Standard-clean oven • Companion storage compartment with shelf
• Electronic clock and timer

Not all features available on all models. For additional features, specifications and color availability, refer to pages 206-207.





Advanced technology
meets distinctive style.

GE Profile™ free-standing ranges beautifully blend performance with contemporary design. A gas on glass or deep recessed cooktop surface, with continuous grates, features four sealed burner sizes, including Power Boil™ and Precise Simmer burners. For easy operation glass touch controls are featured.

A sculptured handle complements the gorgeous stainless steel finish. The two-speed convection system works with the TrueTemp™ system to deliver delicious and even results, and Auto Recipe™ conversion adjusts the temperature for convection baking.



Convection gas and dual-fuel ranges—GE's first!
These ranges utilize an innovative convection system that works in conjunction with our TrueTemp™ system to deliver delicious baking and roasting results.



Cooktop options
Choose from a gas on glass cooktop with a continuous surface or a deep recessed cooktop with a depressed surface. Both include sealed burners to help contain spills and make cleaning easy.



Burner options
Four convenient burner sizes satisfy every cooktop need, from boiling to simmering.



Warming drawer
The warming drawer lets you prepare side dishes at your own pace. Conveniently located under the oven, this drawer keeps food warm until serving.





Refrigeration

Free-Standing Gas Ranges

Microwave Ovens

Dishwashers

Clothes Care

Water Systems

Air Conditioning



Self-Clean: Sealed Burners

These models include • The most dependable ranges you can buy! • TrueTemp™ system • Electronic controls • Super-large 5.0 cu. ft. capacity self-clean oven • Sealed burners • **Power Boil™ burner** • High Output burner • Precise Simmer burner • **Continuous grates** • Dishwasher-safe grates • **Sculptured handle** • Six embossed rack positions • In-oven broiling • Extra-large broiler pan with grid • Certified Sabbath mode • Audible preheat signal • Interior oven light • Electronic ignition

Note: bold = feature upgrade from previous model



Gas convection ovens—
GE's first.



The revolutionary gas on glass
cooktop—changing the way
you cook with gas.



Power Boil™ burner delivers
15,000 BTUs for faster boiling.



The warming drawer helps
keep foods and side dishes
warm and ready to serve.



GE Profile™ 30" Free-Standing Convection Gas Range with Warming Drawer

JGB920SEF Stainless steel
• Smooth ceramic gas on glass cooktop • QuickSet V glass touch oven controls • Two-speed convection oven • Convection Bake • Convection Roast • Auto Recipe™ conversion • Stainless steel oven door with Big ClearView™ window • Three oven racks • Oven meat probe • Warming drawer with stainless steel insert

JGB920TEF True white (not shown)
• Frameless glass oven door

JGB920KEF True bisque (not shown)

JGB920BEF Black on black (not shown)



GE Profile™ 30" Free-Standing Convection Gas Range with Warming Drawer

JGB915BEF Black on black
• Deep-recessed porcelain cooktop • QuickSet V glass touch oven controls • Two-speed convection oven • Convection Bake • Convection Roast • Auto Recipe conversion • Frameless glass oven door with Big ClearView window • Three oven racks • Oven meat probe • Warming drawer with stainless steel insert

JGB915WEF White on white (not shown)

JGB915CEF Bisque on bisque (not shown)

JGB915SEF Stainless steel (not shown)
• Stainless steel door

Not all features available on all models.
For additional features, specifications and
color availability, refer to page 208.



GEAppliances.com

Refrigeration

Free-Standing Gas Ranges

Microwave Ovens

Dishwashers

Clothes Care

Water Systems

Air Conditioning



GE Profile
30" Free-Standing Gas Range with Warming Drawer

- JGB905WEF** White on white
- Deep-recessed porcelain cooktop • QuickSet V oven controls • Frameless glass oven door with Big ClearView window • Two oven racks
- **Warming drawer**
- JGB905CEF** Bisque on bisque (not shown)
- JGB905BEF** Black on black (not shown)
- JGB905SEF** Stainless steel (not shown)
- Stainless steel door



Continuous grates provide a flat, sturdy surface, allowing easy movement of pans between burners.



Precise Simmer burner uses a low temperature setting of 140° for better simmering control.



Sealed burner design helps contain spills from dripping beneath cooktop for easy cleanup.



Sabbath mode allows cooked foods to be kept warm on the Jewish Sabbath, in accordance with Kosher law.



GE Profile
30" Free-Standing Gas Range

- JGB900CEF** Bisque on bisque
- **Deep-recessed porcelain cooktop** • QuickSet V oven controls • **Frameless glass oven door with Big ClearView window** • Two oven racks
- JGB900WEF** White on white (not shown)
- JGB900BEF** Black on black (not shown)
- JGB900SEF** Stainless steel (not shown)
- Stainless steel door





Self-Clean: Dual-Fuel

These models include • Gas cooktop • **Electric convection oven** • The most dependable ranges you can buy! • TrueTemp™ system • Warming drawer • Electronic controls • **Super-large 5.0 cu. ft. capacity self-clean oven** • Electronic clock and automatic oven timer • Sealed burners • Precise Simmer burner • Two High Output burners • Three oven racks • Six embossed rack positions • In-oven broiling • Extra-large broiler pan with grid • Interior oven light • Electronic pilotless ignition • **Certified Sabbath mode** **Note: bold = feature upgrade from previous model**



Electric convection oven constantly circulates air throughout the oven to uniformly cook and brown food.



High Output burners, with 12,000 BTUs, provide high output for fast heat-up and boiling.



Precise Simmer burner, with 600 BTUs, allows for low, even heat distribution for delicate foods and sauces.



Glass touch controls are easy to read and offer a clean, sophisticated look.

Not all features available on all models. For additional features, specifications and color availability, refer to page 208.

94



GE Profile™ 30" Free-Standing Spectra Dual-Fuel Range with Warming Drawer

J2B900SEF Stainless steel
• QuickSet V glass touch oven controls • **Electric Convection Bake** • **Electric Convection Roast**
• Auto Recipe™ conversion • Stainless steel oven door with Big View window • Sure Grip handle
• Designer-style control knobs • One-piece upswept porcelain-enameled cooktop • One-piece drip pans
• Oven meat probe • Stainless steel insert included with warming drawer



GE Profile 30" Free-Standing Dual-Fuel Range with Warming Drawer

J2B900BEF Black on black
• Frameless glass oven door with Big View window



GE Profile 30" Free-Standing Dual-Fuel Range with Warming Drawer

J2B900WEF White on white
• Frameless glass oven door with Big View window
J2B900CEF Bisque on bisque (not shown)





Self-Clean: Sealed Burners

These models include • The most dependable ranges you can buy! • TrueTemp system • **Warming drawer** • Electronic controls • Extra-large 4.4 cu. ft. capacity self-clean oven • Electronic clock and automatic oven timer • Sealed burners • QuickSet V oven controls with digipad entry • Automatic self-clean lock • **Precise Simmer burner** • **Two High Output burners** • **Three oven racks** • Six embossed rack positions • **Continuous grate surface** • One-piece upswept porcelain-enameled cooktop • In-oven broiling • Extra-large broiler pan with grid • Interior oven light • Electronic pilotless ignition • One-piece drip pans

Note: bold = feature upgrade from previous model



TrueTemp system provides even heat distribution and maximum oven control.



Largest* usable oven capacity has room enough for cooking an entire meal.



Sealed burner design helps contain spills from dripping beneath cooktop for easy cleanup.



The warming drawer helps keep foods and side dishes warm and ready to serve.

*Among leading manufacturers' brands. Not all features available on all models. For additional features, specifications and color availability, refer to page 208.



GE Profile
 30" Free-Standing Commercial-Style Gas Range with Warming Drawer
JGBP90MEB Soft stainless
 • Soft stainless oven door with Big View window
 • Professional-style handle and control knobs
 • Professional cooktop grates with rubber feet



GE Profile
 30" Free-Standing Gas Range with Warming Drawer
JGBP86WEB White on white
 • Scratch-resistant glass backguard
 • Fluorescent cooktop light • Frameless glass oven door with Big View window
 • Sure Grip handle • Designer-style control knobs • One-piece upswept porcelain-enameled cooktop • **Professional extra-large cast-iron grates**
JGBP86CEB Bisque on bisque (not shown)
JGBP86BEB Black on black (not shown)

Refrigeration

Free-Standing Gas Ranges

Microwave Ovens

Dishwashers

Clothes Care

Water Systems

Air Conditioning





Self-Clean: Sealed Burners

These models include • The most dependable ranges you can buy! • TrueTemp™ system • **Warming drawer** • Electronic controls • Extra-large 4.4 cu. ft. capacity self-clean oven • Electronic clock and automatic oven timer • Sealed burners • **Precise Simmer burner** • **Two High Output burners** • **Three oven racks** • Six embossed rack positions • In-oven broiling • Extra-large broiler pan with grid • Interior oven light • Sure Grip handle • Electronic pilotless ignition • Designer-style control knobs • One-piece upswept porcelain-enameled cooktop • One-piece drip pans

Note: bold = feature upgrade from previous model



ONLY GE HAS IT!

TrueTemp system provides even heat distribution and maximum oven control.



Sealed burner design helps contain spills from dripping beneath cooktop for easy cleanup.



Precise Simmer burner allows for low, even heat distribution for delicate foods and sauces.



High Output burners, with 12,000 BTUs, provide high output for fast heat-up and boiling.

Not all features available on all models. For additional features, specifications and color availability, refer to page 208.

96



GE Profile™
30" Free-Standing Gas Range
with Warming Drawer

JGBP85BEB Black on black
• Scratch-resistant glass backguard • **QuickSet V oven controls with digipad entry**; • **Automatic self-clean lock** • Fluorescent cooktop light • Frameless glass oven door with Big View window • Square heavy-cast grates with rubber feet

JGBP85WEB White on white (not shown)

JGBP85CEB Bisque on bisque (not shown)



GE Profile™
30" Free-Standing Gas Range
with Warming Drawer

JGBP79MEF Soft stainless
• QuickSet IV oven controls with digital temperature display; control lock capability • Stainless oven door with Big View window • **Square heavy-cast grates with rubber feet**

JGBP79CEB Bisque on bisque (not shown)

JGBP79WEB White on white (not shown)

JGBP79BEB Black on black (not shown)





These models include • The most dependable ranges you can buy! • Extra-large 4.4 cu. ft. capacity self-clean oven • Six embossed rack positions • QuickSet oven controls • **Sealed burners** • Electronic pilotless ignition • One-piece, upswept porcelain-enameled cooktop • Frameless glass oven door • Designer-style handle • In-oven broiling • Extra-large broiler pan • Interior oven light • Storage drawer

Note: bold = feature upgrade from previous model



ONLY GE HAS IT!

Largest* usable oven capacity has room enough for cooking an entire meal.



Six embossed rack positions increase cooking flexibility.



GE®
30" Free-Standing Gas Range
JGBP35WEA White on white
• TrueTemp system • Electronic controls
• **QuickSet IV oven controls with digital temperature display** • **Control lock capability**
• **Hi/Low broil** • Precise Simmer burner
• High Output burner • Big View window
• Grey medium-cast grates • Grey porcelain-enameled drip pans
JGBP35CEA Bisque on bisque (not shown)
JGBP35BEA Black on black (not shown)

Refrigeration

Free-Standing Gas Ranges

Microwave Ovens

Dishwashers

Clothes Care

Water Systems

Air Conditioning



GE
30" Free-Standing Gas Range
JGBP32SEH Stainless steel
• TrueTemp system • Electronic controls
• QuickSet III oven controls • Audible preheat signal • Certified Sabbath mode
• Precise Simmer burner • 13,000 BTU High Output burner • Big View window
• **Black medium-cast grates** • Black porcelain-enameled drip pans
JGBP32WEF White on white (not shown)
JGBP32CEF Bisque on bisque (not shown)



GE
30" Free-Standing Gas Range
JGBP30WEA White on white
• **TrueTemp system** • **Electronic controls**
• **QuickSet III oven controls** • **Audible preheat signal** • Certified Sabbath mode
• **Precise Simmer burner** • **High Output burner** • **Big View window** • **Grey deluxe porcelain-steel square grates** • **Grey porcelain-enameled drip pans**
JGBP30CEA Bisque on bisque (not shown)
JGBP30BEA White or Bisque (not shown)



GE
30" Free-Standing Gas Range
JGBP28BEA White or Bisque
• QuickSet II oven controls with digital temperature display; auto oven shut-off and audible preheat signal • Certified Sabbath mode • Black standard porcelain-steel square grates
JGBP28WEA White on white (not shown)

*Among leading manufacturers' brands.
Not all features available on all models.
For additional features, specifications and color availability, refer to page 209.



Self-Clean: Standard Burners

These models include • The most dependable ranges you can buy! • Extra-large 4.4 cu. ft. capacity self-clean oven • Six embossed rack positions • Electronic pilotless ignition • **QuickSet oven controls** • **Certified Sabbath mode** • Frameless glass oven door with designer-style handle • Lift-up cooktop • Square, standard porcelain-steel grates • One-piece, porcelain-enameled cooktop and subtop • In-oven broiling • Extra-large broiler pan with grid • Two oven racks • **Interior oven light** **Note: bold = feature upgrade from previous model**

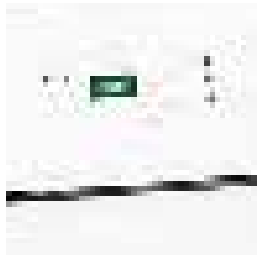


ONLY GE HAS IT!

Largest* usable oven capacity has room enough for cooking an entire meal.



Six embossed rack positions increase cooking flexibility.



Electronic oven controls allow for easy operation.



GE®
30" Free-Standing Gas Range

JGBP26WEA White on white
• TrueTemp system • Electronic controls
• QuickSet III oven controls with digital temperature display; delay bake option; auto oven shut-off and audible preheat signal • Grey porcelain-enameled drip pans • **Frameless white glass oven door with window** • Storage drawer
JGBP26CEA Bisque on bisque (not shown)



GE
30" Free-Standing Gas Range

JGBP26BEA White or Bisque
• TrueTemp system • Electronic controls
• QuickSet III oven controls with digital temperature display; delay bake option; auto oven shut-off and audible preheat signal
• Black porcelain-enameled drip pans
• Frameless black glass oven door with window • Storage drawer



GE
30" Free-Standing Gas Range

JGBP24BEA White or Bisque
• QuickSet II oven controls with digital temperature display; auto oven shut-off and audible preheat signal

*Among leading manufacturers' brands. Not all features available on all models. For additional features, specifications and color availability, refer to page 209.



Standard-Clean: Sealed Burners

These models include • The most dependable ranges you can buy! • Extra-large 4.4 cu. ft. capacity self-clean oven • Six embossed rack positions • **Sealed burners** • Electronic pilotless ignition • Designer-style handle **Note: bold = feature upgrade from previous model**



ONLY GE HAS IT!

Largest* usable oven capacity has room enough for cooking an entire meal.



Sealed burner design helps contain spills from dripping beneath cooktop for easy cleanup.



A versatile griddle cooktop can cook and warm all types of foods.



Griddle can be removed to reveal a fifth center oval burner for added cooking flexibility.

*Among leading manufacturers' brands. Not all features available on all models. For additional features, specifications and color availability, refer to page 210.



GE
30" Free-Standing Gas Range
JGBS23WEA White on white
• **Frameless white glass oven door with Big View window** • **Precise Simmer burner** • **High Output burner** • **Grey porcelain-enameled drip pans** • Porcelain-steel square grates • One-piece, upswept porcelain-enameled cooktop • Interior oven light • Electronic clock and timer • Slide-out broiler drawer • Extra-large broiler pan with grid
JGBS23CEA Bisque on bisque (not shown)
JGBS23DEF Black on black (not shown)
JGBS23BEA White or Bisque (not shown)



GE
30" Free-Standing Gas Range
JGBS10WEF White on white
• **Non-stick griddle** • **Fifth center oval burner** • **Electronic clock** • Continuous wire burner grates • **Frameless white glass oven door with window** • **Drop-down broiler drawer** • **Extra-large broiler pan with grid**
JGBS10CEF Bisque on bisque (not shown)
JGBS10BEF Black on black (not shown)



GE
30" Free-Standing Gas Range
JGBS22BEA White or Bisque
• **Frameless black glass oven door with window** • Porcelain-steel square grates • One-piece, upswept porcelain-enameled cooktop • Interior oven light • Electronic clock and timer • Slide-out broiler drawer • Extra-large broiler pan with grid



GE
30" Free-Standing Gas Range
JGBS09PEF White on white
• **Non-stick griddle** • **Fifth center oval burner** • Continuous wire burner grates • White porcelain-enameled oven door with window

Refrigeration

Venting Options

Microwave Ovens

Dishwashers

Clothes Care

Water Systems

Air Conditioning





Continuous- & Standard-Clean: Standard Burners

These models include • The most dependable ranges you can buy! • Six embossed rack positions • Electronic pilotless ignition • Lift-up cooktop • Square, standard porcelain-steel grates • Porcelain-enameled cooktop • Easy-clean porcelain-enameled subtop • Slide-out broiler drawer • Extra-large broiler pan with grid • Two oven racks • Interior oven light **Note: bold = feature upgrade from previous model**



GE®
30" Free-Standing Gas Range
JGBC20BEA White or Bisque
• **Extra-large 4.4 cu. ft. capacity continuous-clean oven** • Electronic clock and timer
• **Frameless black glass oven door with window** • Designer-style handle • One-piece upswept cooktop
JGBC20WEA White on white (not shown)
JGBS20BEA White or Bisque (not shown)
• Extra-large standard-clean oven
JGBS20WEA White on white (not shown)
• Extra-large standard-clean oven



GE
30" Free-Standing Gas Range
JGBS17PEA White or Bisque
• Extra-large 4.4 cu. ft. capacity standard-clean oven • **Electronic clock and timer**
• White porcelain-enameled oven door with window • **Designer-style handle** • **One-piece upswept cooktop**



GE
30" Free-Standing Gas Range
JGBS07PEA White on white
• Extra-large 4.4 cu. ft. standard-clean oven • **White porcelain-enameled oven door with designer-style handle** • **Standard window** • **Interior oven light**



GE
30" Free-Standing Gas Range
JGBS04BEA White or Bisque
• **Frameless solid black glass oven door**
• **Designer-style handle** • Extra-large 4.4 cu. ft. standard-clean oven • **Black standard porcelain grates**
JGBS04BPA White or Bisque (not shown)
• Standing pilot ignition
JGBS04PEA White or Bisque (not shown)
• Solid porcelain-enameled oven door with chrome visor handle
JGBS04PPA White or Bisque (not shown)
White on white
• Standing pilot ignition



GE
30" Free-Standing Gas Range
JGBS03PPA White
• Solid porcelain-enameled oven door
• Chrome visor handle • Extra-large 4.4 cu. ft. standard-clean oven • Standing pilot ignition • Drop-down broiler drawer

For additional features, specifications and color availability, refer to page 210.

100





Venting Options: Slide-Out Hoods

These models include

- See-through glass visor slides in and out
- 300-CFM performance with variable-speed fan control
- Auto heat sensor
- Compact housing leaves ample shelf space behind cabinet doors
- Vertical exhaust with 3-1/4" x 10" rectangular duct
- Cooktop light

Not all features available on all models. For additional features, specifications and color availability, refer to page 207.



GE Profile
36" Slide-Out Hood
JV960SC Brushed aluminum

30" Slide-Out Hood
JV930SC Brushed aluminum (not shown)



GE Profile
36" Slide-Out Hoods
JV696S Bisque on bisque
JV695S White on white (not shown)
JV694S Black on black (not shown)

30" Slide-Out Hoods
JV396S Bisque on bisque (not shown)
JV395S White on white (not shown)
JV394S Black on black (not shown)

Refrigeration

Venting Options

Microwave Ovens

Venting Options: Designer Hoods

- These models include** • Four-speed fan control • Two halogen cooktop lights (20 watts each) • Night light setting • Vertical exhaust (600-CFM) • Seven Sones rating • 7" round duct



Optional chimney cover available to cover exposed duct from the hood to the ceiling.



Commercial filter kit available for 30" and 36" designer hoods.

Not all features available on all models. For additional features, specifications and color availability, refer to pages 211 and 213.



GE Profile
36" Designer Hood
JV966DSS Stainless steel



GE Profile
30" Designer Hood
JV936DSS Stainless Steel



GE Profile
36" Designer Hood
JV965DCC Bisque on bisque
JV965DWW White on white (not shown)
JV965DBB Black on black (not shown)



GE Profile
30" Designer Hood
JV935DBB Black on black
JV935DWW White on white (not shown)
JV935DCC Bisque on bisque (not shown)

Dishwashers

Clothes Care

Water Systems

Air Conditioning





Venting Options: Telescopic Downdraft Systems

These models include • 500-CFM performance • Variable-speed fan control • Raises to 7" over cooktop surface • Retracts when not in use • Ideal for island or peninsula installations • 3-1/4" x 10" rectangular duct



Raise/lower vent switch provides convenience of operation.



GE Profile™
Telescopic Downdraft Systems
JVB96SA Stainless steel
• 36" width
JVB93SA Stainless steel
(not shown) • 30" width

Note: Approved for use with all GE Profile and GE electric and sealed burner gas cooktops. Not approved for use with standard burner gas cooktops.

These models include • 350-CFM performance • Upfront variable-speed fan with slide control • Raises to 8-3/4" over cooktop surface • Retracts when not in use • Ideal for island or peninsula installations • Use optional GE accessory cover (JXBC57) for outdoor installation of blower or the indoor blower mounting kit (JXRB57) for indoor remote mounting of the blower **Note: bold = feature upgrade from previous model**



Separate remote switch to raise/lower vent provides installation flexibility and convenience of operation (only available on JVB67).

Note: Approved for use with all GE Profile and GE electric and sealed burner gas cooktops. Not approved for use with standard burner gas cooktops.



GE Profile
Telescopic Downdraft Systems
JVB67AWW
White on white
• 36" width • **Separate remote switch to raise/lower vent**
JVB67ACC
Bisque on bisque
(not shown)
JVB67ABB
Black on black (not shown)



GE Profile
Telescopic Downdraft Systems
JVB37ABB
Black on black
• 30" width
JVB37AWW
White on white
(not shown)
JVB37ACC
Bisque on bisque
(not shown)

Note: Cooktops sold separately.

Not all features available on all models. For additional features, specifications and color availability, refer to pages 211-212.





Venting Options: High-Performance, Performance, Deluxe and Standard Hoods

Note: bold = feature upgrade from previous model



GE Profile

High-Performance Hood

JV666C Stainless steel

• 36" width • Four-speed fan control • Two halogen cooktop lights (50 watts each) • Night light setting • Vertical or rear exhaust (350/400-CFM) • 3-1/4" x 10" rectangular duct (convertible to 7" round duct)

JV665C White on white or Black on black (not shown)



GE Profile

High-Performance Hood

JV635C White on white (shown) or Black on black

• 30" width • Three-speed fan control plus boost • Two halogen cooktop lights (50 watts each) • Night light setting • **Vertical or rear exhaust (350/400-CFM)** • 3-1/4" x 10" rectangular duct (convertible to 7" round duct)

JV636C Stainless steel (not shown)



GE Profile

Performance Hoods

JV565C White on white (shown), Bisque on bisque or Black on black • 36" width • **Two-speed fan control** • **200-CFM (max.)** • **Two halogen cooktop lights (50 watts each)** • Convertible exhaust options (7" round, rectangular or non-vented) • Rectangular damper included

JV566C Stainless steel (not shown)

JV535C White on white, Bisque on bisque, or Black on black (not shown) • 30" width

JV536C Stainless steel (not shown)

JXDA23 round damper accessory, available at additional cost (Models JV666/665/636/635/566/565/536/535).



GE®

Deluxe Hood

JV347H White on white (shown), Bisque on bisque, or Black on black

• 30" width • **Rotary control** • **Three-speed fan** • **Cooktop light** • **Light cover** • **Convertible exhaust (shipped in non-vented configuration, convertible to 7" round or rectangular exhaust)** • Rectangular damper included



GE

Standard Hoods

JV338H White (shown) or Bisque

• 3-1/4" x 10" rectangular duct • 2-speed fan • Rectangular damper included • Cooktop light

JN327H White, Bisque or Almond (not shown) • Non-vented • 2-speed fan • Cooktop light

JXDA22 round damper accessory, available at additional cost (Models JV347/338)

JXHCl cord kit allows a receptacle in the cabinet over the range to accommodate either an over-the-range microwave oven or a standard hood.

Light bulbs not included.

Refrigeration

Venting Options

Microwave Ovens

Dishwashers

Clothes Care

Water Systems

Air Conditioning

For additional features, specifications and color availability, refer to page 214.





R

einventing
the original.

In 1979, GE revolutionized microwave cooking with the introduction of the original Spacemaker® oven. Today, GE Profile™ and GE® Spacemaker ovens usher in a new era of microwave innovation. An advanced cooking system heats and defrosts with perfectly even results, an easy-to-use touchscreen menu and a 2.0-cu.-ft., two oven rack interior make microwave cooking more convenient than ever.

Outside, clean lines and bold curves offer a truly dramatic look. A breakthrough in technology and design, new Spacemaker ovens are the ultimate tools for everyday cooking.



Dual-distribution cooking system
Circulates microwaves from the top and side of the oven for even heating and defrosting, everywhere.



1 lb. Quick Defrost
Convenient setting lets you thaw a pound of chicken, fish or meat up to 50% faster than our previous models. What used to take 6-1/2 minutes now defrosts in just 3 minutes.



Timesaving technology, spacesaving design

For more than 20 years, the Spacemaker microwave oven has been an indispensable part of the American kitchen. With its many innovative features and compact design, this award-winning oven saves precious time and space.





GEAppliances.com

Refrigeration

Cooking Products

Microwave Ovens

Dishwashers

Clothes Care

Water Systems

Air Conditioning





GE Profile Spacemaker® 2.0 Microwave Oven with Sensor Cooking

A whole new Spacemaker microwave oven.

Since the introduction of the Spacemaker oven in 1979, GE has led the way in microwave innovation. Then, the Spacemaker offered a convenient, kitchen-friendly option for making snacks and reheating leftovers.

Today's Spacemaker allows even heating and defrosting of all types of foods, marking a dramatic departure from the original.



GE's new exclusive dual-distribution system circulates microwaves from the top and side of the oven for even heating and defrosting, everywhere.



GE Profile™ Spacemaker Sensor Oven

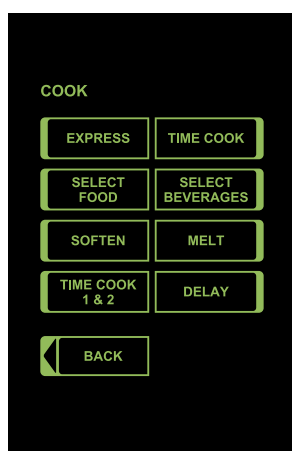
JVM2070SH Stainless steel
 • 2.0 cu. ft. cavity • 1100 watts* • **Dual-distribution cooking system** • **EasyGuide menu system** • **Soften feature** • **Melt feature** • Large 14-1/4" recessed turntable
 • Turntable On/Off • Sensor cooking controls • Auto, Time and 1 lb. Quick Defrost • **Sculptured handle** • **Filter replacement reminder** • **Sleep mode** • **Interactive demo mode** • Two removable oven racks

JVM2070WH White on white (not shown)

JVM2070CH Bisque on bisque (not shown)

JVM2070BH Black on black (not shown)

Note: bold = feature upgrade from previous model



EasyGuide™ menu system touchscreen automatically leads you through each step of the cooking process.



New convenience features quickly soften or melt foods like butter, ice cream, chocolate and cheese.



Halogen cooktop lighting illuminates every inch of the cooking surface. The powerful, 300-CFM venting system offers three speeds and a boost option.

For additional features, specifications and color availability, refer to page 217.





GEAppliances.com

GE Profile Spacemaker® Oven with Convection/Microwave Cooking

Note: bold = feature upgrade from previous model



User-friendly controls offer access to a variety of programmable options, and the two-line scrolling display simplifies the cooking process.



Convection cooking combined with microwave power (Fast Bake), provides cooking results up to 25% faster than conventional ovens.



GE Profile™ Spacemaker Convection Microwave Oven

JVM1490SD Stainless steel
• 1.4 cu. ft. cavity • 900 watts* • Combination convection/microwave cooking • **Fast Defrost** • **Halogen interior and cooktop lighting** • **Two-line scrolling display** • **Turntable** • **Bilingual display (English/Spanish)** • Sensor cooking controls • SmartControl system with interactive display • Stainless steel interior • Auto/Time Defrost • Convection oven rack • Powerful two-speed venting



JVM1490WD
White on white (not shown)
JVM1490CD
Bisque on bisque (not shown)
JVM1490BD
Black on black (not shown)

Refrigeration

Cooking Products

Microwave Ovens

Dishwashers

Clothes Care

Water Systems

Air Conditioning

GE Profile Wall Oven with Convection/Microwave Cooking



Convection cooking produces golden brown exteriors and moist interiors.



Combination roast produces tender and juicy meats with beautifully brown exteriors.



GE Profile 30" or 27" Convection Microwave Wall Oven

JEB1095SB Stainless steel
• 1.0 cu. ft. cavity • 800 watts* • **Convection cooking** • **Combination roast (probe)** • **Combination convection/microwave cooking** • Sensor cooking controls • Express Cook

JEB1095WB
White on white (not shown)
JEB1095CB
Bisque on bisque (not shown)
JEB1095BB
Black on black (not shown)

Convection/Microwave Wall Ovens provide a true built-in appearance. JEB1095 will fit a 27" or 30" cutout. A trim kit (included with all models) enables the unit to be adapted to a 30" width. Available in stainless steel, classic white, bisque and black.

*IEC-705 Test Procedure

Not all features available on all models. For additional features, specifications and color availability, refer to pages 215-216.





GE Profile Spacemaker® XL1800 Microwave Ovens with Sensor Cooking

These models include • CircuWave™ 1100 cooking system • Large 14-1/4" recessed turntable • Sensor cooking controls • Auto, Time and 1 lb. Quick Defrost • **Hidden vent for sleek appearance** • Add 30 seconds • Instant On controls • **Beeper volume control** • **Bilingual display (English/Spanish)** • **Two-line scrolling display** • **Big view window** • Halogen cooktop lighting • Powerful three-speed plus boost 300-CFM vortex venting • Easy mount installation • Turntable On/Off

Note: bold = feature upgrade from previous model



Six-plate capacity, with two oven racks and recessed turntable, holds up to six dinner plates or three 9" x 13" casserole dishes.



Built-in sensors measure food moisture levels during cooking and automatically adjust time and power.



1 lb. Quick Defrost lets you thaw a pound of chicken, fish or meat up to 50% faster than our previous models.



This powerful 300-CFM-rated venting system removes smoke and steam from the cooktop.

*IEC-705 Test Procedure

Not all features available on all models. For additional features, specifications and color availability, refer to page 217.

108



GE Profile™
36" Spacemaker Sensor Oven

JVM3670SF Stainless steel
• 1.8 cu. ft. cavity • 1100 watts* • **36" width application** • **Powerful three-speed plus boost 300-CFM 36" vortex venting** • Sculptured handle • Removable oven rack



JVM3670WF

White on white
(not shown)

JVM3670CF

Bisque on bisque
(not shown)

JVM3670BF

Black on black
(not shown)



GE Profile
Spacemaker Sensor Oven

JVM1870SF Stainless steel
• 1.8 cu. ft. cavity • 1100 watts* • **Sculptured handle** • Two oven racks



JVM1870WF

White on white
(not shown)

JVM1870CF

Bisque on bisque
(not shown)

JVM1870BF

Black on black
(not shown)





GEAppliances.com

Refrigeration

Cooking Products

Microwave Ovens

Dishwashers

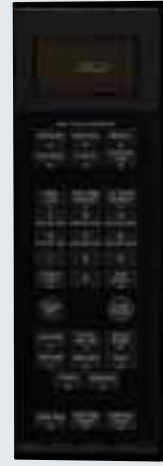
Clothes Care

Water Systems

Air Conditioning



Offers an integrated, streamlined appearance.



*GE Profile
Spacemaker Sensor Oven*

JVM1860BF
Black on black
• 1.8 cu. ft. cavity • 1100 watts* • **Two oven racks**

JVM1860SF
Stainless steel
(not shown)

JVM1861SF
Stainless steel
(not shown)
• Non-vented model

JVM1860WF
White on white
(not shown)

JVM1860CF
Bisque on bisque
(not shown)

GE Spacemaker® 2.0 Microwave Oven with Sensor Cooking

Note: bold = feature upgrade from previous model



Circulates microwaves from the top and side of the oven for even heating and defrosting, everywhere.



JVM2050CH
Bisque on bisque
(not shown)

JVM2050BH
Black on black
(not shown)

GE®
Spacemaker Sensor Oven

JVM2050WH White on white

- 2.0 cu. ft. cavity • 1100 watts* • **Dual Distribution cooking system**
- SmartControl system with interactive display • Large 14-1/4" recessed turntable • Turntable On/Off • Sensor cooking controls • Auto, Time and 1 lb. Quick Defrost • Sculptured handle • Removable oven rack, two-positions

*IEC-705 Test Procedure

Not all features available on all models. For additional features, specifications and color availability, refer to pages 217-218.





GE Spacemaker® XL1800 Microwave Oven with Sensor Cooking



Built-in sensors measure food moisture levels during cooking and automatically adjust time and power.



Add 30 seconds extends cooking time without the hassle of reprogramming.



- JVM1851WF**
White on white
(not shown)
• Non-vented model
- JVM1850CF**
Bisque on bisque
(not shown)
- JVM1851CF**
Bisque on bisque
(not shown)
• Non-vented model
- JVM1850BF**
Black on black
(not shown)
- JVM1851BF**
Black on black
(not shown)
• Non-vented model

GE® Spacemaker Sensor Oven

JVM1850WF White on white
• 1.8 cu. ft. cavity • 1100 watts* • CircuWave™ 1100 cooking system • Large 14-1/4" recessed turntable • Sensor cooking controls • Auto, Time and 1 lb. Quick Defrost • Add 30 seconds • Instant On controls • Bilingual display (English/Spanish) • Two-line scrolling display • Big view window • Powerful three-speed plus boost 300-CFM vortex venting • Easy mount installation • Turntable On/Off • Removable oven rack, two positions



GE Spacemaker Microwave Oven with Sensor/Convenience Cooking



Built-in sensors measure food moisture levels during cooking and automatically adjust time and power.



- JVM1650SB**
Stainless steel
(not shown)
- JVM1650CB**
Bisque on bisque
(not shown)
- JVM1650BB**
Black on black
(not shown)

GE Spacemaker Sensor/Convenience Oven

JVM1650WB White on white
• 1.6 cu. ft. cavity • 1000 watts* • CircuWave cooking system • Sensor cooking controls • Convenience cooking controls • Turntable On/Off • Auto/Time Defrost • Help pad • Add 30 seconds • Full-view cooktop lighting • Removable oven rack, two positions • Powerful 300-CFM venting • Easy mount installation

*IEC-705 Test Procedure

Not all features available on all models. For additional features, specifications and color availability, refer to page 218.





GE Spacemaker Microwave Ovens with Convenience Cooking

These models include • CircuWave™ cooking system • SmartControl System with interactive display • Convenience cooking controls

- Delay Start • Auto/Time Defrost • Express Cook • Add 30 seconds • Instant On controls • Timer On/Off • Full-view cooktop lighting
- Easy mount installation • Powerful 300-CFM exhaust fan **Note: bold = feature upgrade from previous model**



Auto Defrost option automatically sets time and power level for fast defrosting.



Convenience cooking controls allow you to defrost, cook or reheat at the touch of a pad.



Add 30 seconds extends cooking time without the hassle of reprogramming.



This powerful 300-CFM-rated venting system removes smoke and steam from the cooktop.

*IEC-705 Test Procedure

Not all features available on all models. For additional features, specifications and color availability, refer to page 218.



GE *Available May 2003*

Spacemaker Convenience Oven

JVM1640WH White on white

- 1.6 cu. ft. oven cavity • 1000 watts* • **Turtable On/Off**
- **Removable oven rack**



GE *Available May 2003*

Spacemaker Convenience Oven

JVM1630BH Black on black

- 1.6 cu. ft. cavity • 1000 watts*



JVM1640AH
Almond on almond
(not shown)

JVM1640BH
Black on black
(not shown)



JVM1631BH
Black on black
(not shown)

- Non-vented model

JVM1630WH
White on white
(not shown)

JVM1631WH
White on white
(not shown)

- Non-vented model

JVM1630CH
Bisque on bisque
(not shown)

JVM1631CH
Bisque on bisque
(not shown)

- Non-vented model

Refrigeration

Cooking Products

Microwave Ovens

Dishwashers

Clothes Care

Water Systems

Air Conditioning





GE Spacemaker® Microwave Ovens with Convenience Cooking

These models include • SmartControl System with interactive display • CircuWave™ cooking system • Convenience cooking controls
 • Delay Start • Auto/Time Defrost • Express Cook • Add 30 seconds • Instant On controls • Timer On/Off • Full-view cooktop lighting
 • Easy mount installation • Powerful 300-CFM exhaust fan **Note: bold = feature upgrade from previous model**



Auto Defrost option automatically sets time and power level for fast defrosting.



Convenience cooking controls allow you to defrost, cook or reheat at the touch of a pad.



Add 30 seconds extends cooking time without the hassle of reprogramming.



This powerful 300-CFM-rated venting system removes smoke and steam from the cooktop.



GE®
Spacemaker Convenience Oven

JVM1440WD White on white
 • 1.4 cu. ft. oven cavity • 950 watts* • **Turntable On/Off**
 • Removable oven rack



JVM1441WD
White on white
(not shown)
 • Non-vented model
JVM1440BD
Black on black
(not shown)
JVM1441BD
Black on black
(not shown)
 • Non-vented model



GE
Spacemaker Convenience Oven

JVM1430WD White on white
 • 1.4 cu. ft. oven cavity • 950 watts*



JVM1430BD
Black on black
(not shown)

*IEC-705 Test Procedure

Not all features available on all models.
For additional features, specifications and color availability, refer to page 218.





GEAppliances.com

GE Profile™ Microwave Oven with Convection/Microwave Cooking

Note: bold = feature upgrade from previous model



Convection cooking produces flavorful and beautifully browned food.



The user-friendly controls give you access to a variety of programmable options.



Model shown with trim kit**

GE Profile Convection/Microwave Oven

- JE1590SC** Stainless steel
- 1.5 cu. ft. oven cavity • 1000 watts* • **Convection and Combination Bake cooking controls**
- **Easy-to-use dial control** • **Two-line scrolling display** • Sensor cooking controls • Auto/Time Defrost • Quick Defrost • Timer On/Off • Recessed turntable • Optional trim kit available**

- JE1590WC** White on white (not shown)
- JE1590CC** Bisque on bisque (not shown)
- JE1590BC** Black on black (not shown)

Refrigeration

Cooking Products

Microwave Ovens

GE Profile Microwave Ovens with Sensor Cooking

These models include • Scrolling display • Sensor cooking controls • Auto/Time Defrost • Express Cook • Add 30 seconds • Instant On controls • Timer On/Off • **Optional trim kit available**** Note: bold = feature upgrade from previous model



Built-in sensors measure food's moisture levels during cooking and automatically adjust time and power.

New Appearance!



Model shown with trim kit**

- GE Profile Sensor Oven**
- JE2160SF** Stainless steel
- **Extra-large 2.1 cu. ft. cavity** • 1200 watts*
- JE2160WF** White on white (not shown)
- JE2160CF** Bisque on bisque (not shown)
- JE2160BF** Black on black (not shown)

- GE Profile Sensor Oven**
- JEM31SF** Stainless steel
- Mid-size 1.0 cu. ft. cavity • 800 watts* • **Turntable on/off** • **Optional under-cabinet mounting kit available†**
- JEM31WF** White on white (not shown)
- JEM31CF** Bisque on bisque (not shown)
- JEM31BF** Black on black (not shown)

Dishwashers

Clothes Care

Water Systems

Air Conditioning

*IEC-705 Test Procedure

**Optional Trim Kit—Custom Trim kits available in both 27" and 30" configurations at an additional cost.

†Optional undercabinet mounting kit—Refer to page 117 for installation options.

Not all features available on all models. For additional features, specifications and color availability, refer to pages 219-220.



GE® Microwave Ovens with Sensor Cooking

These models include • Scrolling display • **Sensor cooking controls** • Auto/Time Defrost • Express Cook • Add 30 seconds
 • Instant On controls • Timer On/Off • Turntable **Note: bold = feature upgrade from previous model**



Built-in sensors measure food moisture levels during cooking and automatically adjust time and power.



*Model shown with trim kit***



GE
 Sensor Oven
JE1860SH Stainless steel
 • **Extra-large 1.8 cu. ft. cavity**
 • 1100 watts* • **Turntable On/Off**
JE1860WH
 White on white (not shown)
JE1860CH
 Bisque on bisque (not shown)
JE1860GH
 Black with greystone case (not shown)



Scrolling display is easy to read and a helpful cooking guide.



GE
 Sensor Oven
JE1660WB White on white
 • **Full-size 1.6 cu. ft. cavity**
 • 1100 watts* • **Optional trim kit available****
JE1660GB Black with greystone case (not shown)



The versatility of a GE microwave meets any cooking need. Optional trim kit frees up valuable counter space.



GE
 Sensor Oven
JE1460BF Black on black
 • **Family-size 1.4 cu. ft. cavity**
 • 1150 watts* • **Recessed turntable**
JE1460WF White on white (not shown)



GE
 Sensor Oven
JE1160WD White on white
 • **Mid-size 1.1 cu. ft. cavity**
 • 1100 watts*
JE1160BD Black on black (not shown)

*IEC-705 Test Procedure

**Optional Trim Kit—Custom Trim kits available in both 27" and 30" configurations at an additional cost.

Not all features available on all models. For additional features, specifications and color availability, refer to page 219.



GE Microwave Ovens with Convenience Cooking

These models include • Convenience cooking controls • Turntable • Auto/Time Defrost • Electronic touch controls • Electronic digital display with clock • Express Cook • Child lockout **Note: bold = feature upgrade from previous model**



Convenience cooking controls to defrost, cook or reheat at the touch of a pad.



Add 30 seconds extends cooking time without the hassle of reprogramming.



GE Convenience Oven
JE1440BF Black on black
• Family-size 1.4 cu. ft. cavity
• 1150 watts* • Recessed turntable
JE1440WF White on white (not shown)



GE Convenience Oven
JE1140WD White on white
• Mid-size 1.1 cu. ft. cavity
• 1100 watts*
JE1140BD Black on black (not shown)



GE Convenience Oven
JE740WY White on white
• Compact .7 cu. ft. cavity
• 700 watts* • Optional undercabinet mounting kit available**
JE740GY Black with greystone case (not shown)

*IEC-705 Test Procedure

Not all features available on all models. For additional features, specifications and color availability, refer to pages 219-220.



GE Spacemaker II™ Microwave Oven



Auto Defrost option automatically sets time and power level for fast defrosting.



Model shown with trim kit**



GE Spacemaker II Oven
JEM25WF White on white
 • Mid-size 1.0 cu. ft. cavity • 800 watts*
 • Convenience cooking controls
 • Auto/Time Defrost
 • Turntable On/Off
 • Optional trim kit available**
 • Optional undercabinet mounting kit available†
JEM25BF
 Black on black (not shown)

GE® Microwave Ovens

Note: bold = feature upgrade from previous model



GE Compact Oven
JE620WF White on white
 • .6 cu. ft. cavity • 650 watts* • **Electronic touch controls** • **Electronic digital display with clock** • Turntable On only • **Time Defrost**
 • Optional undercabinet mounting kit available†
JE620BF Black on black (not shown)

GE Compact Oven
JE610BF Black on black
 • .6 cu. ft. cavity • 650 watts* • 15-minute timer • Turntable On only
 • Optional undercabinet mounting kit available†
JE610WF White on white (not shown)

*IEC-705 Test Procedure

**Optional Trim Kit—Custom Trim kits available in both 27" and 30" configurations at an additional cost.

†Optional undercabinet mounting kit—Refer to page 117 for installation options.

Not all features available on all models. For additional features, specifications and color availability, refer to page 220.



Microwave Oven Trim Kits



Deluxe Built-In Trim Kit For 2.1 cu. ft. Microwave Ovens

Trim kits allow installation of the 2.1 countertop microwave oven in a wall or cabinet alone, or over a GE Profile™ 27" or 30" single electric wall oven.

30" Deluxe Trim Kits for Models JE2160
JX2130SF—Stainless Steel, JX2130WF—White
JX2130CF—Bisque, JX2130BF—Black

27" Deluxe Trim Kits for Models JE2160
JX2127SF—Stainless Steel, JX2127WF—White
JX2127CF—Bisque, JX2127BF—Black



Deluxe Built-In Trim Kit For 1.8 cu. ft. Microwave Ovens

Trim kits allow installation of the 1.8 countertop microwave oven in a wall or cabinet alone, or over a GE® 27" or 30" single electric wall oven as shown.

30" Deluxe Trim Kits for Models JE1860
JX1830SB—Stainless Steel, JX1830WB—White
JX1830CB—Bisque, JX1830BB—Black

27" Deluxe Trim Kits for Models JE1860
JX1827SB—Stainless Steel, JX1827WB—White
JX1827CB—Bisque, JX1827BB—Black



Deluxe Built-In Trim Kit For 1.6 cu. ft. Microwave Ovens

This trim kit allows for built-in installation of the 1.6 countertop microwave oven in a wall or cabinet alone, or over a GE 30" or 27" single electric wall oven as shown.

30" Deluxe Trim Kits for Model JE1660
JX1530MWW—White, JX1530MBW—Black

27" Deluxe Trim Kits for Model JE1660
JX1527MWW—White, JX1527MBW—Black



Deluxe Trim Kits For 1.5 cu. ft. GE Profile™ Microwave Ovens

Built-in trim kits allow installation in a wall or cabinet alone, or over a GE 30" or 27" single electric wall oven. Use a convection wall oven under these convection microwave ovens for a complete convection cooking center.

30" Deluxe Trim Kits for Model JE1590
JX1530CSC—Stainless, JX1530CWC—White
JX1530CCC—Bisque, JX1530CBC—Black

27" Deluxe Trim Kits for Model JE1590
JX1527CSC—Stainless, JX1527CWC—White
JX1527CCC—Bisque, JX1527CBC—Black



Built-In Trim Kit For 1.0 cu. ft. Microwave Ovens

For a custom built-in appearance, this kit allows built-in installation of the Spacemaker® II microwave oven into a wall or cabinet alone.

Trim Kits for Models JEM31 and JEM25
JX827SS—Stainless Steel, JX827WN—White
JX827CD—Bisque, JX827BN—Black



Hanging Kit For .6, .7 and 1.0 cu. ft. Microwave Ovens

This hanging kit allows installation under a cabinet, freeing up valuable counter space. A mounting template provides all the necessary measurements for installation on practically any wood or metal cabinet.

Hanging Kit for Models JE610, JE620, JE740, JEM25, JEM31
Pub. No. 4-A019

Refrigeration

Cooking Products

Microwave Ovens

Dishwashers

Clothes Care

Water Systems

Air Conditioning





Sleek, spacious, stainless.

The **GE Profile™ stainless steel interior dishwasher**

is a masterpiece of precision engineering and

enduring beauty. Elegantly dramatic, the color

wrap contour door suits any décor, while the

brilliant, commercial grade stainless steel interior

is brightly annealed and resists staining and

corrosion. Pearlescent™ nylon racks slide out

effortlessly and adjust or remove

altogether for endless flexibility.

The revolutionary wash system with

100% triple water filtration,

impeccably quiet operation and

efficient drying system combine

to create a dishwasher that

has proven performance.



Beautiful inside
Rich and luminous, the brilliant stainless steel interior, complete with Pearlescent nylon racks that match its luster, is dazzling. Hardened at a high temperature, the steel's durable finish helps maintain its beauty.



Beautiful outside
These sleek, smart good looks are the perfect addition to any kitchen. The door's gentle contour is enhanced by the seamless color wrap that envelops it, drenching the dishwasher in color.



Discover our quietest GE Profile™ dishwasher
Even busy kitchens don't have to be noisy. GE Profile's new QuietPower™ V sound package virtually eliminates the sound of washing the dishes, with thick blankets of sound-deadening materials, a quieting stainless steel tub and a vent that seals in sound.



The performance you expect
Above all, a dishwasher should get dishes clean and dry. The ExtraClean™ wash system has three direct-feed wash arms to clean every spot on every dish, while the cross-convection drying system is effective and efficient at assuring dishes get dry.





Refrigeration

Cooking Products

Microwave Ovens

Dishwashers

Clothes Care

Water Systems

Air Conditioning



GE Profile™ Stainless Built-In Dishwashers

These models include • ENERGY STAR®-qualified • Stainless steel 304 commercial grade interior and door liner • ExtraClean™ wash system with three direct-feed wash arms • ExtraFine™ filter • ExtraClean sensor • Automatic temperature control • NSF-certified antibacterial selection • Cookware selection • China/Crystal selection • Automatic HotStart™ • Nylon racks • Removable upper rack • New QuietPower V sound package with heat-bonded bitumen, Thinstall™ insulation and ActiveVent II • Multi-wattage heating element

Note: bold = feature upgrade from previous model



Bright annealed stainless steel interior resists odor and corrosion.



100% fold-down tines in the lower rack.



Four-position adjustable removable upper rack provides enough flexibility to hold a 20-gallon stockpot.



QuietPower V sound package includes heat-bonded bitumen to deaden sound.

Not all features available on all models. For additional features, specifications and color availability, refer to page 222.

120



GE Profile Stainless Dishwasher

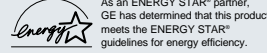
PDW8600JBB Black on black

• **Exclusive seamless one-piece color wrap contour door** • Countdown display with six status lights • 1-9-hour Delay Start • Glasses selection • SpeedCycle selection • Pearlescent™ nylon racks • Four-position adjustable/removable upper rack • Four sets StemSafe system in upper rack • Two sets fold-down tines and two sets multi-position fold-down tines in upper rack • 100% fold-down tines in lower rack • ExtraBasket™

PDW8680JSS Stainless steel (not shown)

PDW8600JWW White on white (not shown)

PDW8600JCC Bisque on bisque (not shown)



Available Mid-April, 2003



GE Profile

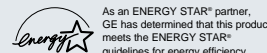
Stainless Dishwasher

PDW8500JWW White on white

• **Long, flat door** • **CustomStyle™ panel trim kit available** • Countdown display with six status lights • 1-9-hour Delay Start • **Glasses selection** • SpeedCycle selection • Pearlescent nylon racks • Four-position adjustable/removable upper rack • **Four sets StemSafe system in upper rack** • **Two sets fold-down tines and two sets multi-position fold-down tines in upper rack** • **100% fold-down tines in lower rack** • **ExtraBasket**

PDW8500JCC Bisque on bisque (not shown)

PDW8500JBB Black on black (not shown)



Available Mid-April, 2003



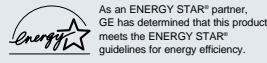
NSF Protocol for sanitization and cleaning performance of household spray-type dishwashers. (1997)



GE Profile
Stainless Dishwasher

PDW8400JCC Bisque on bisque
• Exclusive seamless one-piece color wrap contour door
• Countdown display with six status lights • 1-9-hour Delay Start • SpeedCycle selection • PreWash enhancement option • Pearlescent nylon racks • Four-position adjustable/removable upper rack • Two sets StemSafe system in upper rack • One set fold-down tines and one set multi-position fold-down tines in upper rack • Two sets fold-down tines in lower rack • 3-piece modular silverware basket

PDW8480JSS Stainless steel (not shown)
PDW8400JWW White on white (not shown)
PDW8400JBB Black on black (not shown)



As an ENERGY STAR® partner, GE has determined that this product meets the ENERGY STAR® guidelines for energy efficiency.

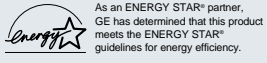
Available Mid-April, 2003



GE Profile
Stainless Dishwasher

PDW8200JBB Black on black
• Exclusive seamless one-piece color wrap contour door
• Tall-Over-Tall™ racking • 2/4/8-hour Delay Start
• Two sets fold-down tines in lower rack • Super capacity silverware basket

PDW8280JSS Stainless steel (not shown)
PDW8200JWW White on white (not shown)
PDW8200JCC Bisque on bisque (not shown)



As an ENERGY STAR® partner, GE has determined that this product meets the ENERGY STAR® guidelines for energy efficiency.

Available Mid-April, 2003



GE Profile™ Built-In Dishwashers

These models include • ENERGY STAR®-qualified • ExtraClean™ wash system • ExtraFine™ filter • ExtraClean sensor • Automatic temperature control • Inlaid light-touch electronic controls • Countdown display with six status lights • NSF-certified anti-bacteria selection • Cookware selection • China/Crystal selection • SpeedCycle™ selection • Added heat enhancement • Automatic HotStart™ feature • Tall-Over-Tall™ nylon rack system with CleanTip™ tines **Note: bold = feature upgrade from previous model**



Certified to exceed ENERGY STAR guidelines for energy efficiency.

ONLY GE HAS IT!



Tall-Over-Tall towerless rack design accommodates tall items like 9-1/4" glasses in the upper rack and a 20-quart stockpot in the lower rack.

ONLY GE HAS IT!



The ExtraClean sensor design continually monitors every cycle and adjusts for water soil content, water temperature, wash cycle length and the amount of water needed to clean dishes efficiently.



The ExtraClean wash system has three direct-feed wash arms to clean every spot on every dish.

Not all features available on all models. For additional features, specifications and color availability, refer to page 222.

122



GE Profile Built-In Dishwasher

PDW7880JSS Stainless steel exterior
• Exclusive seamless one-piece color wrap contour door
• 12 touchpads • 1-9-hour Delay Start option • Glasses cycle • Four-position adjustable upper rack • Two sets fold-down tines and two sets multi-position tines in upper rack • 100% fold-down tines in lower rack • Four utility shelves with StemSafe™ system • ExtraBasket™ • QuietPower™ IV sound insulation package with Thinstall™ Plus insulation • QuietPower™ motor • ActiveVent II system • Trimless design • Multi-wattage heating element
PDW7800JWW White on white (not shown)
PDW7800JCC Bisque on bisque (not shown)
PDW7800JBB Black on black (not shown)

As an ENERGY STAR® partner, GE has determined that this product meets the ENERGY STAR® guidelines for energy efficiency.

Available Mid-April, 2003



GE Profile Built-In Dishwasher

PDW7700JBB Black on black
• Long, flat door • CustomStyle™ panel trim kit available • **12 touchpads** • 1-9-hour Delay Start option • Glasses cycle • Four-position adjustable upper rack • **Two sets fold-down tines and two sets multi-position tines in upper rack** • **100% fold-down tines in lower rack** • Four utility shelves with StemSafe system • ExtraBasket • QuietPower™ IV sound insulation package with Thinstall™ Plus insulation • QuietPower™ motor • ActiveVent II system • Trimless design • Multi-wattage heating element
PDW7700JWW White on white (not shown)
PDW7700JCC Bisque on bisque (not shown)

As an ENERGY STAR® partner, GE has determined that this product meets the ENERGY STAR® guidelines for energy efficiency.

Available Mid-April, 2003



NSF Protocol for sanitization and cleaning performance of household spray-type dishwashers. (1997)



GEAppliances.com

Refrigeration

Cooking Products

Microwave Ovens

Dishwashers

Clothes Care

Water Systems

Air Conditioning



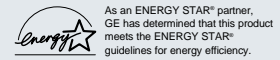
GE Profile
Built-In Dishwasher

PDW7300JCC Bisque on bisque

- Exclusive seamless one-piece color wrap contour door
- 11 touchpads
- 1-9-hour Delay Start option
- Four-position adjustable upper rack
- One set fold-down tines and one set multi-position fold-down tines in upper rack
- Two sets fold-down tines in lower rack
- Four utility shelves with StemSafe system
- Super capacity three-piece modular silverware basket
- QuietPower™ IV sound insulation package with Thinstall™ Plus insulation
- QuietPower™ motor
- ActiveVent II system
- Trimless design
- Multi-wattage heating element

PDW7300JWW White on white (not shown)

PDW7300JBB Black on black (not shown)



Available Mid-April, 2003



GE Profile Built-In Dishwasher with Stainless Interior



Certified to exceed ENERGY STAR guidelines for energy efficiency.



Lustrous stainless steel interior maintains its sheen throughout years of use, resisting corrosion and stains.

Not all features available on all models. For additional features, specifications and color availability, refer to page 222.



GE Profile

Built-In Dishwasher with stainless interior

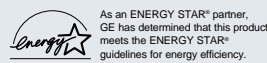
PDW8000GCC Bisque on bisque

- ENERGY STAR-qualified
- Four-level wash system
- Variable cycles/options
- NSF-certified anti-bacteria cycle
- Cookware cycle
- China/Crystal cycle
- 100% filtration system
- 2/4/6-hour Delay Start option
- Fan assist dry
- Adjustable nylon upper rack
- Nylon lower rack with fold-down CleanTip™ tines
- Two utility shelves with stem holder
- Deluxe Plus silverware basket
- Ready-to-install hard countertop installation
- Quiet 8000 sound package with mastic and steel case

PDW8060GSS Stainless steel (not shown)

PDW8000GWW White on white (not shown)

PDW8000GBB Black on black (not shown)



Discontinued June, 2003



GE Triton XL™ Built-In Dishwashers

These models include • ENERGY STAR®-qualified • XtraClean™ wash system • XtraFine™ filter • XtraClean sensor • Automatic temperature control • Inlaid light-touch electronic controls • NSF-certified anti-bacteria cycle • Pots & Pans cycle • China/Crystal cycle • Automatic HotStart™ feature • Super capacity silverware basket • QuietPower™ motor • Trimless design • Multi-wattage heating element

Note: bold = feature upgrade from previous model



Certified to exceed ENERGY STAR guidelines for energy efficiency.



Extra-large capacity holds up to 16 place settings at once.



The QuietPower IV sound insulation package, featuring Thinstall Plus insulation and mastic, keeps noise inside where it belongs.



The XtraClean sensor design continually monitors every cycle and adjusts for water soil content, water temperature, wash cycle length and the amount of water needed to clean dishes efficiently.

Not all features available on all models. For additional features, specifications and color availability, refer to page 223.



GE Triton XL Built-In Dishwasher

GSD6860JSS Stainless steel exterior

- **Long, flat door** • Countdown display with six status lights • 10 touchpads • SpeedCycle selection
- 1-9-hour Delay Start • Four-position adjustable upper rack with CleanTip tines • Lower rack with CleanTip tines and two sets fold-down tines • Super capacity three-piece modular silverware basket • ActiveVent II system • QuietPower IV sound insulation package with Thinstall™ Plus insulation • Four utility shelves



GE Triton XL Built-In Dishwasher

GSD6900JWW White on white

- **Contour door** • **Countdown display with six status lights** • 10 touchpads
- SpeedCycle selection • **1-9-hour Delay Start** • **Four-position adjustable upper rack with CleanTip tines** • Lower rack with CleanTip tines and two sets fold-down tines • Super capacity three-piece modular silverware basket
- ActiveVent II system • QuietPower IV sound insulation package with Thinstall Plus insulation • **Four utility shelves**



GE Triton XL Built-In Dishwasher

GSD6600GBB Black on black

- Long, flat door • **Six status lights** • 10 touchpads • SpeedCycle selection
- **Tall-Over-Tall nylon rack system with CleanTip tines** • **Two sets fold-down tines in lower rack** • Super capacity three-piece modular silverware basket • ActiveVent II system • **QuietPower IV sound insulation package with Thinstall Plus insulation**
- Two utility shelves



GE Triton XL Built-In Dishwasher

GSD6200JWW White on white

- Long, flat door • One "Clean" light and one "Sanitized" light • 9 touchpads
- Tall-Over-Tall rack system with CleanTip tines • Super capacity three-piece modular silverware basket • QuietPower III sound package with ActiveVent II system • Two utility shelves



NSF Protocol for sanitization and cleaning performance of household spray-type dishwashers. (1997)



As an ENERGY STAR® partner, GE has determined that this product meets the ENERGY STAR® guidelines for energy efficiency.

Available Mid-April, 2003

GSD6900JCC

Bisque on bisque (not shown)

GSD6900JBB

Black on black (not shown)



As an ENERGY STAR® partner, GE has determined that this product meets the ENERGY STAR® guidelines for energy efficiency.

Available Mid-April, 2003

GSD6660GSS

Stainless steel (not shown)

GSD6600GWW

White on white (not shown)

GSD6600GCC

Bisque on bisque (not shown)



As an ENERGY STAR® partner, GE has determined that this product meets the ENERGY STAR® guidelines for energy efficiency.

GSD6260JSS

Stainless steel (not shown)

GSD6200JCC

Bisque on bisque (not shown)

GSD6200JBB

Black on black (not shown)



As an ENERGY STAR® partner, GE has determined that this product meets the ENERGY STAR® guidelines for energy efficiency.

Available Mid-April, 2003



GEAppliances.com

GE Triton™ Built-In Dishwashers



ONLY GE HAS IT!

TriClean wash system has three wash arms that provide complete coverage, eliminating pre-rinsing, soaking and scrubbing.



Piranha hard food disposer pulverizes food particles eliminating the need to pre-rinse dishes.



Certified to exceed ENERGY STAR guidelines for energy efficiency.



SaniWash cycle reduces 99.999% of the bacteria found on dishes. NSF-certified.



GE Triton Built-In Dishwasher

GSD5560GSS Black/Stainless

• ENERGY STAR®-qualified • TriClean™ wash system • Electronic controls • Variable cycles/options • China/Crystal cycle • 2/4/8-hour Delay Start option • Super upper rack • Super lower rack • Super capacity silverware basket • QuietPower™ motor • Trimless design • CleanSensor • SaniWash cycle • Light Wash cycle • QuietPower II sound package

GSD5500GCC Bisque on bisque (not shown)

GSD5500GWW White on white (not shown)

GSD5500GBB Black on black (not shown)



As an ENERGY STAR® partner, GE has determined that this product meets the ENERGY STAR® guidelines for energy efficiency.

Refrigeration

Cooking Products

Microwave Ovens

Dishwashers

Clothes Care

Water Systems

Air Conditioning

GE® Built-In Dishwashers



SureClean® wash system lets you count on shiny, sparkling dishes every time. GE wash design assures powerful sprays of water are directed at every dish.



HotStart option preheats prior to main wash for great wash performance every time.



GE Built-In Dishwasher

GSD3800GBB Black on black

• SureClean™ wash system • Dual filtration • TouchTap™ controls • 6 cycles/35 options • Pots & Pans cycle • Heavy Wash cycle • Light Wash cycle • Hi-Temp Wash option • 1-6-hour Delay Start option • Deluxe Plus upper rack • Deluxe lower rack • Deluxe silverware basket • Two utility shelves • QuietPower I sound package • QuietPower motor • Trimless design

GSD3800GWW White on white (not shown)

GSD3800GCC Bisque on bisque (not shown)



As an ENERGY STAR® partner, GE has determined that this product meets the ENERGY STAR® guidelines for energy efficiency.



NSF Protocol for sanitization and cleaning performance of household spray-type dishwashers. (1997)

Not all features available on all models. For additional features, specifications and color availability, refer to pages 223-224.



GE Nautilus™ Built-In Dishwashers

These models include • Normal Wash cycle • Rinse Only cycle • Heated Dry option • Rinse aid dispenser • QuietPower™ motor

• Trimless design **Note: bold = feature upgrade from previous model**



PowerScrub™ wash system has two wash arms mounted on top and lower levels, plus a spray tower in the middle.



Enjoy a more peaceful kitchen with our QuietPower motor.



HotStart™ option preheats prior to main wash for great wash performance every time.



GE Nautilus™ Built-In Dishwasher

GSD4800GWW White on white

• PowerScrub wash system • Piranha™ hard food disposer • **Electronic controls** • 5 cycles/34 options • China/Crystal cycle • **2/4/8-hour Delay Start option** • **Hi-Temp Wash and Rinse options** • **Child lock option** • Deluxe Plus upper rack • Deluxe lower rack • Deluxe silverware basket • Two utility shelves • QuietPower I sound package

GSD4800GCC

Bisque on bisque (not shown)

GSD4800GBB

Black on black (not shown)



GE Nautilus Built-In Dishwasher

GSD3660GSS Black/Stainless

• **7 cycles/39 options** • PowerScrub wash system • Piranha hard food disposer • **TouchTap™ controls** • Pots & Pans cycle • **China/Crystal cycle** • Plate Warmer cycle • **1-6-hour Delay Start option** • Hi-Temp Wash option • HotStart option • **Deluxe Plus upper rack** • Deluxe lower rack • Deluxe silverware basket • **Two utility shelves** • QuietPower I sound package • Short Wash cycle

GSD3600GWW

White on white (not shown)

GSD3600GCC

Bisque on bisque (not shown)

GSD3600GBB

Black on black (not shown)



GE Nautilus Built-In Dishwasher

GSD3200GBB Black on black

• **5 cycles/22 options** • PowerScrub wash system • Piranha hard food disposer • **Pots & Pans cycle** • Plate Warmer cycle • **Hi-Temp Wash option** • HotStart option • **Deluxe upper rack** • Deluxe lower rack • Deluxe silverware basket • **QuietPower I sound package** • Short Wash cycle

GSD3200GWW

White on white (not shown)

GSD3200GCC

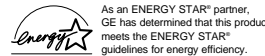
Bisque on bisque (not shown)



GE Nautilus Built-In Dishwasher

GSD2200GWW White on white

• **ENERGY STAR®-qualified** • **5 cycles/12 options** • **Pots & Pans cycle** • HotStart option • Deluxe lower rack • Deluxe silverware basket • **QuietDesign™ sound package** • Short Wash cycle



GSD2200GCC

Bisque on bisque (not shown)

GSD2200GBB

Black on black (not shown)

GSD2201GWW

White on white (not shown)

• Power cord attached



GE Nautilus Built-In Dishwasher

GSD2000GCC Bisque on bisque

• 4 cycles/9 options • HotStart option • Deluxe lower rack • Deluxe silverware basket • Standard sound package • Short Wash cycle

GSD1900GWH White with black control panel

GSD2000GWW

Bisque on bisque (not shown)

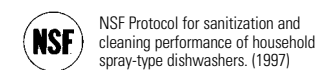
GSD2000GBB

Black on black (not shown)

GSD2001GWW

White on white (not shown)

• Power cord attached



Not all features available on all models. For additional features, specifications and color availability, refer to page 224.



GE Nautilus Convertible Dishwashers

These models include • PowerScrub™ wash system • Five wash levels • Piranha™ hard food disposer • Pots & Pans cycle • Normal Wash cycle • Short Wash cycle • Plate Warmer cycle • Rinse Only cycle • Heated Dry option • Hi-Temp Wash option • HotStart™ option • Deluxe rack system • QuietDesign™ sound package • QuietPower™ motor • Woodgrain laminate top • Trimless design

Note: bold = feature upgrade from previous model



PowerScrub wash system has two wash arms mounted on top and lower levels, plus a spray tower in the middle.



Enjoy a more peaceful kitchen with our QuietPower motor.



HotStart option preheats prior to main wash for great wash performance every time.



Piranha hard food disposer pulverizes food particles, eliminating the need to pre-rinse dishes.

Not all features available on all models. For additional features, specifications and color availability, refer to page 225.



Portable now



Built-in later



GE Nautilus Convertible Dishwasher

GSC3400GWW White on white

GSC3400GBB Black on black (not shown)

• 7 cycles/39 options • TouchTap controls • China/Crystal cycle • Six-hour Delay Start option • Deluxe split silverware basket • Rinse aid dispenser with indicator



GE Nautilus Convertible Dishwasher

GSC3200GBB Black on black

GSC3200GWW White on white (not shown)

• 5 cycles/22 options • Deluxe silverware basket

Refrigeration

Cooking Products

Microwave Ovens

Dishwashers

Clothes Care

Water Systems

Air Conditioning



GE Spacemaker® Under-the-Sink Dishwashers



Installed under a single sink



Installed under a cooktop

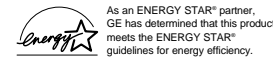
GE Spacemaker Under-the-Sink Dishwasher

GSM2100GWW White on white
GSM2100GCC Bisque on bisque

ENERGY STAR®-qualified

- 5 cycles/12 options • Two wash levels
- Pots & Pans cycle • Normal Wash cycle
- Short Wash cycle (on dial) • Plate Warmer cycle (on dial) • Rinse Only cycle (on dial)
- HotStart™ option • PermaTuf® tub
- Spacemaker upper rack • Deluxe lower rack • Deluxe silverware basket
- QuietPower™ motor

Note: Under-the-Sink dishwashers can be installed under GE cooktop models JP201C and JP202D. Refer to cooktop installation instructions.



Spacemaker 18" Built-In Dishwasher



GE Spacemaker 18" Built-In Dishwasher

GSS1800HBB Black on black

- 6 cycles/10 options • Two wash levels • Pots & Pans cycle
- Heavy Wash cycle • Normal Wash cycle (on dial) • Light Wash cycle (on dial) • Heated Dry option • Standard silverware basket

GSS1800HWW White on white

For additional features, specifications and color availability, refer to pages 225-226.



GE Disposall®—Food Waste Disposers

These models include • Stainless steel, dual-swivel, anti-jam grinding blades • Manual reset overload protector • Removable splash guard (continuous feed models only) • Drain connector kit

Note: bold = feature upgrade from previous model



GFC1020F



GFC720F



GFC530F/
GFC535F



GFC520F/
GFC525F



GFC320F/
GFC325F



GFB760F



GFC329G

GE® Continuous Feed Disposers

GFC1020F

• Heavy-duty 1 HP motor • 2800 RPM grinding action • Super capacity • QuietPower III sound insulation package • EZ-Mount installation • Stainless steel sink flange • Sink stopper • One-year full replacement plus six-year limited warranty*

GFC720F

• Heavy-duty 3/4 HP motor • 2700 RPM grinding action • Super capacity • QuietPower II sound insulation package • EZ-Mount installation • Stainless steel sink flange • Sink stopper • One-year full replacement plus four-year limited warranty*

GFC530F

• Heavy-duty 1/2 HP motor • 2600 RPM grinding action • Extra-large capacity • QuietPower I sound insulation package • EZ-Mount installation • Stainless steel sink flange • Sink stopper • One-year full replacement plus two-year limited warranty*

GFC535F

Similar to GFC530 but has attached line cord

GFC520F

• Heavy-duty 1/2 HP motor • 2600 RPM grinding action • Large capacity • Standard sound insulation package • EZ-Mount installation • Stainless steel sink flange • Sink stopper • One-year full replacement plus one-year limited warranty*

GFC525F

Similar to GFC520 but has attached line cord

GFC320F

• 1/3 HP motor • 1900 RPM grinding action • Large capacity • Standard sound insulation package • EZ-Mount installation • Stainless steel sink flange • Sink stopper • One-year full replacement warranty*

GFC325F

Similar to GFC320 but has attached line cord

GE

Batch Feed Disposer

GFB760F

• Heavy-duty 3/4 HP motor • 2700 RPM grinding action • Super capacity • QuietPower II sound insulation package • EZ-Mount installation • Stainless steel sink flange • Sink stopper • One-year full replacement plus four-year limited warranty*

GE

Three-Bolt mount adaptable Disposer designed to mount to existing three-bolt mount system

GFC329G

• 1/3 HP motor • 1900 RPM grinding action • Large capacity • Standard sound insulation package • One-year full replacement warranty*

*See written warranty for details.

Built-In Compactors



GE Profile™ Built-In Compactor

GCG1540FSS Stainless steel

• Built-in only • 1.4 cu. ft. capacity • 1/3-horsepower • Removable key lock • Toe pedal opener • Rear wheels allow easy movement and installation • Heavy-gauge steel construction

GCG1550FCC Bisque on bisque (not shown)

GCG1530FWW White on white (not shown)

GCG1520FBB Black on black (not shown)

For additional features, specifications and color availability, refer to page 228.





Introducing the first washer that communicates with the dryer.

The new GE Profile Harmony™ clothes care system

harnesses the power of communication to

simplify the laundry process. But it's not all talk.

The HydroWash™ system provides thorough, yet

gentle, cleaning action. And the DuoDry™ system

delivers unmatched drying performance. What's

more, spacious stainless

steel interiors make

Harmony the largest-

capacity laundry pair

you can buy. There's

simply nothing

quite like it.



*Washes equivalent amount of clothes as 4.0 cu. ft. agitator machine, per IEC ratios.

130



Communication
The washer communicates electronically with the dryer, which then presets dry cycles for better clothes care, increased time savings and greater convenience.



HydroWash system
HydroWash system achieves excellent wash performance and outstanding clothes care without a traditional agitator. It gently and thoroughly cleans almost all types of clothes, without agitation.



4.0 cu. ft.-capacity* washer
Offers the industry's largest wash capacity with a king-size stainless steel basket.



7.3 cu. ft.-capacity dryer
Stands up to the toughest, largest loads with a king-size stainless steel drum and durable double-paned glass door.





Refrigeration

Cooking Products

Microwave Ovens

Dishwashers

Clothes Care

Water Systems

Air Conditioning





GE Profile Harmony™ Clothes Care System



*DPGT750ECPL/GCPL shown
with WPGT9350CPL*

Washer Features

ONLY GE HAS IT!



Washer communicates electronically with the dryer which then presets dry cycles for better clothes care, increased time savings and greater convenience.

ONLY GE HAS IT!



Stain Inspector™ system treats more than 65 common stains, from grass stains to grease. It's the best stain removal system available.*

ONLY GE HAS IT!



Centrifusion. A centrifugal wash action infuses the detergent solution through clothes for gentle cleaning.

ONLY GE HAS IT!



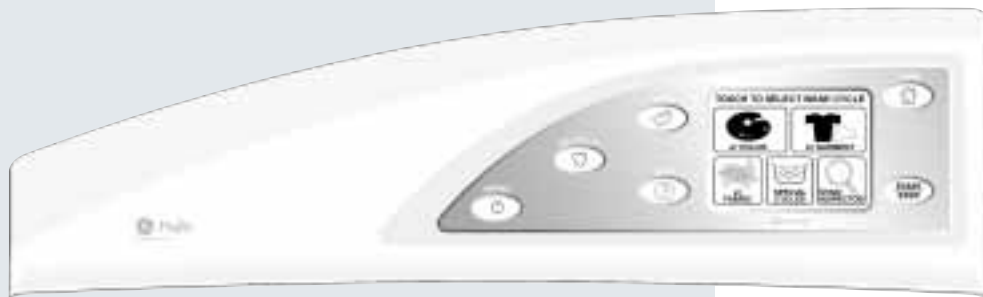
King-size, 4.0 cu. ft.** stainless steel basket makes room for more items, which means less time doing laundry.

*Based on a number of stains treated with automatic settings matching soil, fabric type and garment color.
**Washes equivalent amount of clothes as 4.0 cu. ft. agitator machine, per IEC ratios.
†Versus similarly priced models, 8 lb. load per AHAM HLD1.





GEAppliances.com



GE Profile Harmony
4.0 cu. ft.** King-Size Capacity Washer
WPGT9350C

- Communicates with dryer • Reversible control panel • Infusor™
- HydroWash system • Centrifusion wash action • ENERGY STAR®-qualified
- Flow-thru™ dispenser system • Stain Inspector system
- Stainless steel wash basket • 1010 RPM max. spin speed • LCD touch screen controls
- Auto load sensing • Adaptive fill • Multiple cycles • Auto balance suspension system • Direct drive motor
- Supreme quiet performance • Six custom cycles • Variable end-of-cycle signal

Available June 2003



As an ENERGY STAR® partner, GE has determined that this product meets the ENERGY STAR®-qualified guidelines for energy efficiency.



GE Profile Harmony
7.3 cu. ft. King-Size Capacity Dryer
DPGT750EC/DPGT750GC

- Listens to the washer • Reversible control panel • Dual electronic thermistors
- Separate blower and tumble motors • Moisture sensor with two sensing bars
- Adaptive cool-down • Double-paned glass window • Variable heater
- Long venting capabilities (up to 150 ft. of equivalent ducting)
- Stainless steel drum • LCD touch screen controls • Multiple cycles
- Supreme quiet performance • Six custom cycles • Variable end-of-cycle signal

Available June 2003

Refrigeration

Cooking Products

Microwave Ovens

Dishwashers

Clothes Care

Dryer Features

ONLY GE HAS IT!



DuoDry™ system uses dual motors and dual thermistors to quickly and consistently dry clothes. It's the fastest dryer you can buy.†

ONLY GE HAS IT!



Dual electronic thermistors continually monitor air temperatures to provide even heat for optimal drying performance.

ONLY GE HAS IT!



Delicate cycle maintains an average fabric temperature of 125°F to protect fine handwashables.



King-size, 7.3 cu. ft. stainless steel drum handles king-size items and family-size loads, which means fewer loads per week.

Not all features available on all models. For additional features, specifications and color availability, refer to pages 229-230.



Water Systems

Air Conditioning

GE Profile™ Washers and Dryers

These washers include • Fully electronic, one-touch operation • Power Rinse™ • Adaptive Logic™ system • PerfecTemp Plus wash system • GentlePower™ agitator • Bleach dispenser • Fabric softener dispenser • Exclusive auto balance suspension system • Second Rinse • Cycle Countdown

Note: bold = feature upgrade from previous model

These dryers include • Fully electronic, one-touch operation • Adaptive Logic system • Delicate Cycle with Extra Low temperature • Wrinkle Care • Deluxe Dryer Rack • Sensor Damp Dry option • Removable upfront lint filter • Reverse-A-Door • Dryer interior light

Note: bold = feature upgrade from previous model

Luxury



GE Profile

3.5 cu. ft. King-Size Capacity Washer
WPRB9220C

- Perfect Wash™ System • Variable speed motor
- Ultra Handwash • Stainless steel basket • Easy Touch electronic controls • ENERGY STAR®-qualified • Speed Wash • Stain Wash • 35 wash/spin speed combinations
- Multiple cycles • Variable end-of-cycle signal • Hush Quiet Plus



GE Profile

7.0 cu. ft. King-Size Capacity Dryer
DPSB620EC/DPSB620GC

- Perfect Dry™ system • Dual Thermistor Heat Management • Stainless steel drum • Speed Dry
- 5 heat selections • Load size selection • Antibacterial cycle • Custom cycles • Extended Tumble Plus
- Exact dryness level selection • Multiple drying cycles • Variable end-of-cycle signal • Hush Quiet Plus



GE Profile

3.2 cu. ft. Super Capacity Plus Washer
WPSB9120B

- ExtrAction™ basket • Multiple wash cycles • 12 wash/spin speed combinations • Ultra Handwash • Speed Wash • Stain Wash • Custom cycles • SpotSpray
- Bleach signal • 4 water levels • Variable end-of-cycle signal • Delay start • Hush Quiet Plus



GE Profile

3.2 cu. ft. Super Capacity Plus Washer
WHSB9000B

- ENERGY STAR®-qualified model • ExtrAction basket • Multiple wash cycles • 10 wash/spin speed combinations • Ultra Handwash • Speed Wash
- Stain Wash • Custom cycles • SpotSpray • Bleach signal • 4 water levels • Variable end-of-cycle signal
- Delay start • Hush Quiet Plus



GE Profile

7.0 cu. ft. Super Capacity Dryer
DPSB519EB/DPSB519GB

- Multiple drying cycles • 5 heat selections • Speed Dry • Sensor Dry Plus • Antibacterial option • Custom cycles • Variable end-of-cycle signal • Damp Dry signal
- Hush Quiet Plus • Dryel® cycle • Delay start

Not all features available on all models.
For additional features, specifications and color availability, refer to pages 229-230.



GEAppliances.com

Washer Features



As an Energy partner, GE has determined that the WPRB9220C, WHSB9000B and WHSB8000B meet the ENERGY STAR®-qualified guidelines for energy efficiency.



Ultra Handwash is ideal for clothes that require extra-special treatment, it simulates handwashing by starting at a low speed to loosen soil and stains, then alternating with periods of soaks.

Dryer Features



Delicate cycle protects heat-sensitive fabrics by ensuring that the average fabric temperature is 125°F.



Instead of using a thermostat, the new Perfect Dry system uses a dual-thermistor sensing system to ensure that the level of dryness is right for the load. For most loads, wash and dry times are matched.*

Luxury



GE Profile

3.2 cu. ft. Super Capacity Plus Washer

WPSB9080B

- ExtrAction basket • Multiple wash cycles • **8 wash/spin speed combinations** • **Deluxe Handwash**
- SpotSpray • 4 water levels • **Variable end-of-cycle signal** • **Deluxe Quiet Plus**



GE Profile

6.0 cu. ft. Extra-Large Capacity Dryer

DPXB515EB/DPXB515GB

- Multiple drying cycles • 5 heat selections • **Speed Dry** • **Sensor Dry Plus** • **Custom cycle** • **Variable end-of-cycle signal** • **Hush Quiet**



GE Profile

3.2 cu. ft. Super Capacity Plus Washer

WPSB8060B

- ExtrAction basket • Multiple wash cycles • 6 wash/spin speed combinations • 4 water levels • SpotSpray
- End-of-cycle signal • **Deluxe Quiet**



GE Profile

3.2 cu. ft. Super Capacity Plus Washer

WHSB8000B

- ENERGY STAR-qualified model • ExtrAction basket
- Multiple wash cycles • 6 wash/spin speed combinations • 4 water levels • SpotSpray
- End-of-cycle signal • **Deluxe Quiet**

As an ENERGY STAR® partner, GE has determined that this product meets the ENERGY STAR® guidelines for energy efficiency.



GE Profile

7.0 cu. ft. Super Capacity Dryer

DPSB513EB/DPSB513GB

- Multiple drying cycles • 5 heat selections • **Sensor Dry Plus** • **End-of-cycle signal** • **Deluxe Quiet**

*Similar fabrics of typical mixed loads.

Refrigeration

Cooking Products

Microwave Ovens

Dishwashers

Clothes Care

Water Systems

Air Conditioning



GE® Washers and Dryers

These washers include

- Exclusive auto balance suspension system
- PermaTuf® II Basket
- Rotary controls
- ColorLogic™
- Quiet-By-Design™

Note: bold = feature upgrade from previous model



Super capacity plus with 3.2 cu. ft. Now you can wash more at one time, saving you frustration, energy and money.



SpotSpray, a 7-second burst of water, allows you to pretreat a stain before adding the clothes to the wash. It's like having a sink in your washer.



The GentlePower™ agitator adapts to the clothes load, providing gentle and effective washing action.

ONLY GE HAS IT!



The exclusive auto balance suspension system keeps the washer balanced even if the load is unbalanced.

These dryers include

- Rotary controls
- Removable upfront lint filter
- ColorLogic
- Reverse-A-Door
- Auto Dry
- Quiet-By-Design

Note: bold = feature upgrade from previous model



GE dryers provide custom dry cycles to gently care for your clothes.



An extra-wide opening provides easy access to our 7.0 cu. ft. of total dryer capacity.



Reverse-A-Door is the ultimate in flexibility. Change door swing to accommodate your laundry area.



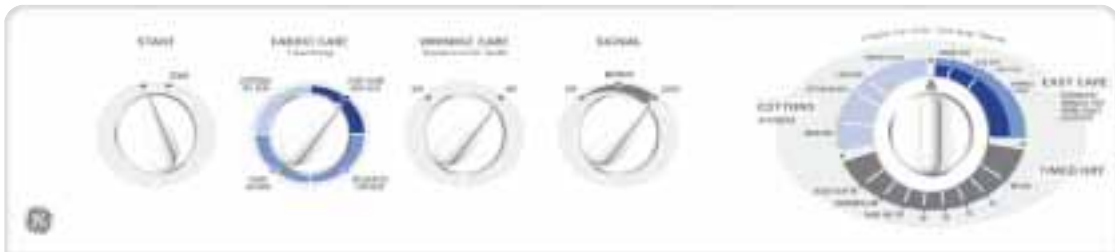
Upfront lint filter is close at hand for cleaning, optimizing dryer performance.

Best



GE
3.2 cu. ft. Super
Capacity Plus Washer
WCSE6270B

- 6 wash/spin speed combinations
- 27 wash cycles
- 4 wash/rinse temperatures
- 4 water levels
- Handwash cycle
- PerfectTemp wash system
- Quick Rinse
- Extended Spin
- Power Rinse™
- Cycle status lights
- SpotSpray
- 2nd Rinse



GE
6.0 cu. ft. Extra-Large
Capacity Dryer
**DWXR483EB/
DWXR483GB**

- 8 drying cycles
- 4 heat selections
- Variable end-of-cycle signal
- Wrinkle care
- Interior dryer light

Not all features available on all models.
For additional features, specifications and
color availability, refer to pages 230-231.



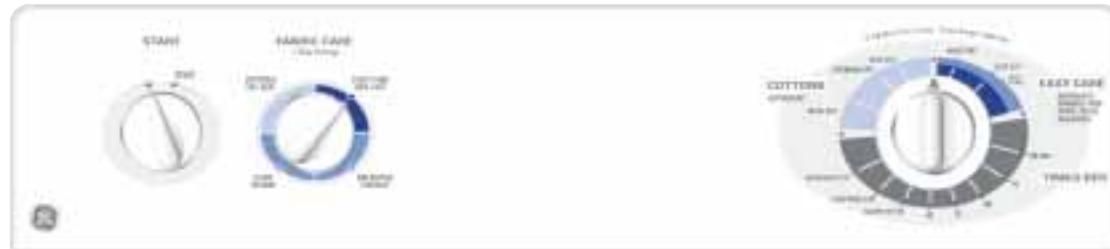
Better



GE
 3.2 cu. ft. Super Capacity Plus Washer
WCSE4160B
 • 4 wash/spin speed combinations • 16 wash cycles • 3 wash/rinse temperatures • 3 water levels • **Power Rinse** • **Cycle status lights**

Refrigeration

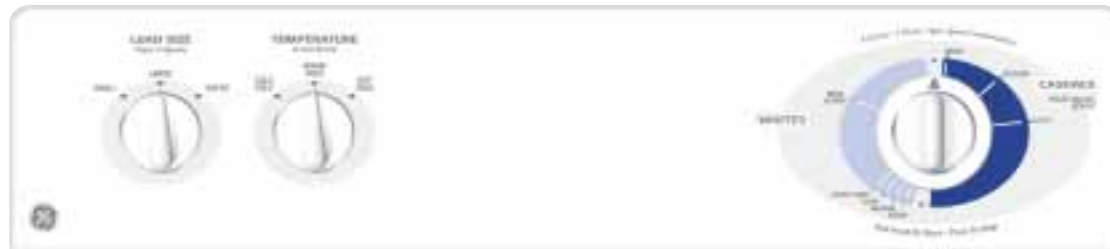
Cooking Products



GE
 6.0 cu. ft. Extra-Large Capacity Dryer
DBXR463EB/DBXR463GB
 • 6 drying cycles
 • 4 heat selections
 • **Interior dryer light**

Microwave Ovens

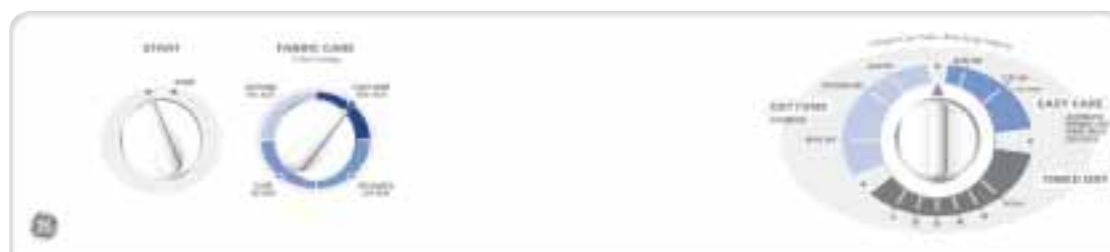
Good



GE
 3.2 cu. ft. Super Capacity Washer
WCSR2080B
 • 2 wash/spin speed combinations
 • 8 wash cycles
 • 3 wash/rinse temperatures
 • 3 water levels

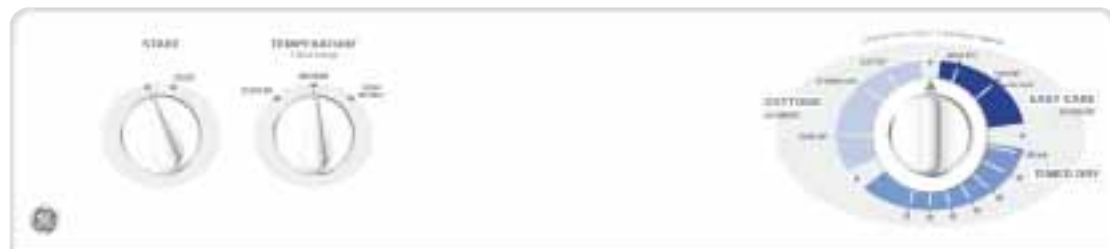
Dishwashers

Clothes Care



GE
 6.0 cu. ft. Extra-Large Capacity Dryer
DJXR433EC/DJXR433GC
 • 3 drying cycles
 • 4 heat selections
Available February 2003

Water Systems



GE
 5.7 cu. ft. Extra-Large Capacity Dryer
DBL333EB/DBL333GB
 • 3 drying cycles
 • 3 heat selections

Air Conditioning





GE Profile™ and GE® Front-Loading Washers and Dryers

The solution to a tight situation.

The GE stackable washer and dryer pair has a unique configuration that eases its way into any situation, whether it's a hallway or a closet. And wherever it is—out of the way or out of sight—this laundry pair gives you the capacity you need to finish the laundry in minimal time.



*Built-In Installation
WPXH214A shown with DPXH46EA/DPXH46GA*



138



Washer Features

As an ENERGY STAR® partner, GE has determined that this product meets the ENERGY STAR guidelines for energy efficiency.



Automatic water fill eliminates guesswork and water waste. Automatically adjusts to the load type by adding water. Water fill level remains below the door.



Automatic dispenser automatically dispenses detergent, bleach and fabric softener at just the right time in the wash cycle.



Dryer Feature

The sturdy dryer rack is designed to dry items such as washable sneakers and stuffed animals, and is easy to insert and remove.

*Stack Installation
WPXH214A shown with
DPXH46EA/DPXH46GA
(stacking kit included with dryer)*





GE Profile
Front-Loading Washer
WPXH214A



- ENERGY STAR-qualified model • Reverse wash action • Uses 40% less water and energy
- 2.7 cu. ft./3.1 IEC extra-large capacity • High-efficiency washer • **14 wash cycles**
- **7 wash/rinse temperatures** • Automatic water level adjustment • Extra-Rinse Cycle/Auto Option • **AutoTemp** • **Quick Wash** • **ColorLogic™** • Adjustable final spin speed
- Fabric softener dispenser • Bleach dispenser • Fixed end-of-cycle signal • **Deluxe Quiet**
- Available in White on white and Bisque on bisque



GE Profile
Front-Loading Dryer
DPXH46EA/GA

- 5.7 cu. ft. extra-large capacity • Tumble drying • **Moisture Sensor** • Timed Dry cycle
- **3 Auto Dry cycles** • 4 temperature options • **2 Wrinkle Care cycles** • Dryer rack
- Fixed end-of-cycle signal • Reverse-A-Door • **ColorLogic** • Available in White on white and Bisque on bisque



GE
Front-Loading Washer
WSXH208A



- ENERGY STAR-qualified model • Reverse wash action • Uses 40% less water and energy
- 2.7 cu. ft./3.1 IEC extra-large capacity • High-efficiency washer • 8 wash cycles • 4 wash/rinse temperatures • Automatic water level adjustment • Extra-Rinse Cycle/Auto Option, 3 standard rinse cycles • Fabric softener dispenser • Bleach dispenser



GE
Front-Loading Dryer
DSXH43EA/GA

- 5.7 cu. ft. extra-large capacity • Tumble drying • Timed Dry cycle • 2 Auto Dry cycles (Cottons, Easy Care) • 4 temperature options • End-of-cycle signal • Dryer interior light
- Reverse-A-Door • Dryer rack

Not all features available on all models. For additional features, specifications and color availability, refer to page 233.





GE Spacemaker® Portable/Stationary Washers and Dryers



Extra-large 2.7 cu. ft. stainless steel basket with lint filters.



Easily accessible detergent/fabric softener dispenser.



GE
120V Portable Topload Washer
WSLP1100A White on white or White with black controls

- 24" 2.7 cu. ft. extra-large capacity
- 1 wash/spin speed • 10 cycles • 4 wash/rinse temperatures • 4 water levels
- Load sensing • Electronic controls
- Digital countdown • Bifold lid • Bleach dispenser • Fabric softener dispenser
- Lint filters • Easy-roll rollers
- Unicouple connector quickly attaches to a faucet adaptor

120V Stationary Topload Washer
WLSL1100A White on white (not shown)



GE
240V Stationary Dryer
DSKS433EB White on white

- 3.6 cu. ft. capacity • 3 drying cycles
- 4 heat selections

WMK-35 Wall-Mount Kit
(Available at additional cost, applies *only* to stationary models.)



GE
120V Stationary Washer
WSKS2060W White with granite-look top

- 2.0 cu. ft. large capacity
- 2 wash/spin speeds • 6 cycles
- 3 wash/rinse temperatures
- 4 water levels • Solid lid
- Unicouple connector quickly attaches to a faucet adaptor

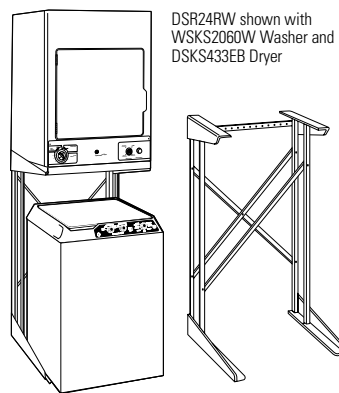


GE
120V Portable/Stationary Dryer
DSKP333ECWW White on white

- 3 drying cycles • 3 heat selections • 15-amp dryer cord attached

120V Stationary Dryer
DSKS333ECWW/WH (not shown)
(Available in white on white and white with black controls)

WMK-35 Wall-Mount Kit
(Available at additional cost, applies *only* to stationary models.)



DSR24RW shown with WSKS2060W Washer and DSKS433EB Dryer

DSR24RW Stack Rack White (only)
(Available at additional cost)

- For use with portable or stationary washers and dryers

Not all features available on all models. For additional features, specifications and color availability, refer to page 236.





Unitized GE Spacemaker Washers and Dryers



GE
Full-Size 27" Unitized Washer/Dryer
WSM2700W Electric
WSM2780W Gas
White on white (Electric model also available in Bisque on bisque)
• 2.7 cu. ft. extra-large capacity washer features 3 cycles, 3 wash temperature options, 3 water level selections • Dryer features Automatic Dry Control and has 4 cycles



GE
24" Unitized Washer/Dryer
WSM2420T Electric
WSM2480T Gas
White on white (Electric model also available in Bisque on bisque)
• 1.9 cu. ft. large capacity washer features 3 cycles, 3 wash/rinse temperatures, 3 water levels • Dryer features Automatic Dry Control and has 4 cycles

Stackable Commercial Dryer



GE
Stacked Pair
DDC4400S Electric Dryer
DDC4500S Gas Dryer
• 5.4 cu. ft. large capacity • 3 cycles
• 3 heat selections • Stacked pair
• "ON" indicator light • 100% front serviceable • Shipped preassembled

Commercial Coin Front-Loading Washer and Dryer



Automatic water fill eliminates guesswork and water waste. Automatically adjusts to the load type by adding water. Water fill level remains below the door.



Automatic dispenser automatically dispenses detergent, bleach and fabric softener at just the right time in the wash cycle.



GE
Commercial Coin
Front-Loading Washer
WCCH404V White

• 2.7 cu. ft. extra-large capacity • ENERGY STAR®-qualified • Reverse wash action • 3/wash, 1/rinse temperatures • Automatic water level adjustment • 4 wash cycles (Color Cottons, Permanent Press, White Cottons, Delicates) • Stainless steel wash basket • Detergent dispenser • Fabric softener dispenser • Bleach dispenser • Reverse wash action • Complies with ADA Standards, uses 40% less energy and water

Commercial Coin Front-Loading Matching Dryer
DCCH43EA/GA (not shown)
• 5.7 cu. ft. extra-large capacity • 4 dry cycles • 3 heat selections

Not all features available on all models.
For additional features, specifications and color availability, refer to pages 237-238.



As an ENERGY STAR® partner, GE has determined that this product meets the ENERGY STAR® guidelines for energy efficiency.

Refrigeration

Cooking Products

Microwave Ovens

Dishwashers

Clothes Care

Water Systems

Air Conditioning





Commercial Smart Card Washers and Dryers

Washers



BridgePoint Smart Laundry™ card reader.



ONLY GE HAS IT!

The exclusive auto balance suspension system keeps the washer balanced even if the load is unbalanced.



GE® Commercial BridgePoint Smart Card Washer

WNCJ2050A White

- 2.7 cu. ft. extra-large capacity • 2-speed motor • 5 wash cycles • 3 wash/spin speed combinations • 3 wash/rinse temperatures • 4 water levels (adjustable)
- Digital countdown cycle • Color Cottons • Bright Colors • Permanent Press
- White Cottons • Delicates • Quiet Package • Lid instructions • LED indicators
- BridgePoint Smart Laundry reader • Alphanumeric display • Control card



GE Commercial ESD Smart Card Washer

WNCK2050A White

- 2.7 cu. ft. extra-large capacity • 2-speed motor • 5 wash cycles • 3 wash/spin speed combinations • 3 wash/rinse temperatures • 4 water levels (adjustable)
- Digital countdown cycle • Color Cottons • Bright Colors • Permanent Press
- White Cottons • Delicates • Quiet Package • Lid instructions • LED indicators
- ESD Smart Card reader • Alphanumeric display • Control card



Dryers



ESD smart card reader.



An extra-wide opening provides easy access to our 7.0 cu. ft. of total dryer capacity.



GE Commercial BridgePoint Smart Card Dryer

DNCJ440EA/GA White

- 7.0 cu. ft. super capacity • 4 dry cycles • 4 heat selections • Digital cycle countdown • Quiet Package • Lockable lint filter • Reverse-A-Door • LED indicators • BridgePoint Smart Laundry reader • Alphanumeric display
- Control card



GE Commercial ESD Smart Card Dryer

DNCK440EA/GA White

- 7.0 cu. ft. super capacity • 4 dry cycles • 4 heat selections • Digital cycle countdown • Quiet Package • Lockable lint filter • Reverse-A-Door
- LED indicators • ESD Smart Card reader • Alphanumeric display
- Control card



Not all features available on all models. For additional features, specifications and color availability, refer to page 238.





Commercial Washers and Dryers

ONLY GE HAS IT!



Washer is 100% front serviceable with all operational parts. Dryer is serviceable without moving the unit.



GE Two-Speed Washer WCCD2050B

- 2.7 cu. ft. extra-large capacity
- 2-speed motor • 5 wash cycles
- 3 water levels (adjustable)
- 3 wash/rinse temperatures
- 2 wash/spin speed combinations
- Electronic cycle countback

WLCD2050B (not shown)

- Long cycle countdown • 31.5 minute wash cycle

Single-Speed Washer WCCB1030B (not shown)

- 3 wash cycles • 1 wash/spin speed combination



Unique upswept design provides a contemporary look and makes cleaning easy.



GE Large Capacity Dryers DCD330EB/GB

- 5.7 cu. ft. extra-large capacity
- Electronic cycle countback
- Automatic Dry Control • 3 cycles
- 3 heat selections • Upfront lint filter
- 100% front serviceable
- Reverse-A-Door

DCB330EB/GB (not shown)

- Automatic Dry Control • 3 cycles
- 3 heat selections • Upfront lint filter
- 100% front serviceable
- Reverse-A-Door



The GentlePower™ agitator adapts to the clothes load, providing gentle and effective washing action.



GE Commercial Washer and Dryer Braille Kit

- Braille control panel overlays to fit on the WNC2050A and DNCD450EA/GE • Braille instructions for placement on control panels
- Instructional audio cassette

(Available at additional cost)



ArmorGuard protection provides a rust-resistant durable finish to the washer top and lid.

GE Super Capacity Plus Washer WNC2050A

- 3.2 cu. ft. super capacity plus • 2-speed motor • 5 wash cycles
- Exclusive auto balance suspension system • 4 water levels • 3 wash/spin speed combinations • 3 wash/rinse temperatures • Spin only
- Digital cycle countdown • LED indicators for fill, wash, rinse and final spin • Bleach dispenser • Fabric softener dispenser • Deluxe Quiet Plus

Super Capacity Dryer DNCD450EA/GA

- 7.0 cu. ft. super capacity • 5 dry cycles • 4 temperatures • Air dry
- Cycle countdown • Hush Quiet package • LED indicators for door open, drying, cool down, clean lint filter • Lockable lint filters
- Reverse-A-Door • Dryer interior light

For more details and information on Commercial Laundry, see Pub. Nos. 14-S011-1 and 14-S021-1.

For detailed exhausting information, see pages 234-235.

Not all features available on all models. For additional features, specifications and color availability, refer to page 239.

Refrigeration

Cooking Products

Microwave Ovens

Dishwashers

Clothes Care

Water Systems

Air Conditioning





Cleaner, healthier
better-tasting water.

Our bodies are nearly 70% water. So protecting
water quality is one of the most important things
you can do for yourself, your family and your home.

Fresh, clean water is consistently ranked as
one of the highest quality-of-life factors, so it's
nice to know improving water is easy with GE

SmartWater™ filtration and softening systems.

Together they provide healthy,

better-tasting water and

a home that's cleaner,

more efficient and more

livable overall. Choose

GE SmartWater for the

most essential element

of a healthy lifestyle.



Healthy water

A healthy lifestyle begins with drinking
at least eight glasses of water
every day. Filtering will reduce many of
the chemicals found in tap water.



Better-tasting water

Filtered water tastes better,
whether it's straight from the tap or in
beverages like coffee, tea, and juice.



Great for cooking

Cooking with filtered water
provides great-tasting foods.



Softer water

Soft water leaves your skin
feeling softer. Laundry
and clothes look cleaner.
And, it makes your home
easier to clean.





GE SmartWater™ Softening Systems

GEAppliances.com

Refrigeration

Cooking Products

Microwave Ovens

Dishwashers

Clothes Care

Water Systems

Air Conditioning

Choosing the right water softener will let you see a difference in your home.

Softened water is good for you and your home. Not only will you notice how much better softened water feels on your skin, you'll also notice that soft water gets your dishes cleaner, makes your laundry softer and brighter with less detergent and helps your showers, sinks and tubs stay cleaner longer. With a high-efficiency GE SmartWater softener, you can be assured of only using enough salt and water to meet your demands, and no more. Whichever GE SmartWater softener you choose, you'll notice immediate improvements throughout your home!

These models include

- Large 200-pound salt storage
- Ultra high-efficiency resin uses less salt and less water
- Flexible demand-initiated regeneration system
- Extra-wide opening allows easier loading of salt
- 24-volt electronic system
- Installation kit



Towels get 45% whiter using 1/3 less detergent. Clothes are softer, cleaner, brighter and last longer.



Dishes get cleaner, using less soap. Hard water spotting is no longer a problem.



GE® Water Softener GNSH45E

- 45,000-grains per regeneration cycle
- Advanced electronic water management system with status indicator light
- High-flow valve model for homes with up to 1-1/4" plumbing
- Clear-water iron removal, up to 10 ppm

GE Water Softener GXSH39E

- 39,000-grain per regeneration cycle
- Advanced electronic water management system with status indicator light
- High-flow valve model for homes with up to 1-1/4" plumbing
- Clear-water iron removal, up to 8 ppm

GE Water Softener GXSF27E (not shown)

- 27,000-grain per regeneration cycle
- Standard electronic monitor
- Standard-flow valve for homes with up to 1" plumbing
- Clear-water iron removal, up to 4 ppm



Models GNSH45E and GXSH39E



Model GXSF27E



GE Exclusive "days-to-empty" feature.

Not all features available on all models. For additional features, specifications and color availability, refer to page 241.



GE SmartWater™ Drinking Water Filtration Systems

What type of drinking water filtration should you choose?

If you're one of the many Americans concerned about water quality, you should consider a SmartWater system. Our premium filtration Reverse Osmosis and Carbon Filtration system help reduce contaminants such as lead, cysts and some chemicals, and remove unpleasant tastes and odors. And no matter which system you choose, you'll find several options for easy installation.

Reverse Osmosis System

GE's best filtration process combines dual carbon filtration with Reverse Osmosis technology. This process can be found in all premium filtration units which reduce up to 99% of many contaminants.

Carbon Filtration System

Our most popular filtration systems use precarbon and postcarbon (dual-stage) filters to improve water quality. Easy to install and maintain, these systems offer a wide variety of filter options to reduce contaminants.

Monitored Premium Drinking Water Filtration: Reverse Osmosis

GE's best filtration process reduces up to 99%* of the elements shown in the table below:

Reduces		
Arsenic	Cysts	Nitrate/Nitrite
Sulfate	Ammonia	Magnesium
Tannins	Copper	Sediment
Chlorine	Taste & Odor	
Rust	Lead	And More!
Chromium	Sodium	

The SmartWater faucet with electronic monitor clearly indicates when filters and membrane need replacing. Designed to work with a primary faucet,



the SmartWater faucet is used only when filtered water is needed, extending filter life. Batteries are included.

Also available Reverse Osmosis replacement filters: FX12P, FX12M and FX18P.



Certified by NSF, the most highly recognized independent testing institution in the water treatment industry. NSF inspects, tests and certifies our product performance.

*Elements reduced are not necessarily present in your water. See product specification sheet, packed with product, for specific elements reduced by model, or call the GE Answer Center® toll-free, 800.626.2000.

**As tested and validated by the Water Quality Association using Standard S-300.

Note: Depends on water pressure, temperature and total dissolved solids.

SmartWater only sold through authorized distributors.

Not all features available on all models.

For additional features, specifications and color availability, refer to page 240.

146



GE Profile™

PNRV18ZWW

White on white faucet and monitor

- Super capacity provides up to 18 gallons** of high-quality filtered water per day
- All-in-one system needs less space for installation than conventional models
- Installation flexibility allows the system to be installed vertically or horizontally under a counter, in the basement, or in any other convenient location
- Designer-style faucet allows you to customize the faucet color to complement your kitchen

PNRV18ZCC (not shown)

- Bisque on bisque faucet and monitor

PNRV18ZBB (not shown)

- Black on black faucet and monitor

PNRV18ZWH (not shown)

- Chrome on white faucet and monitor

PNRV18ZBL (not shown)

- Chrome on black faucet and monitor



GE Profile

PNRV12ZBL

Chrome on black faucet and monitor

- Extra-large capacity provides up to 12 gallons** of high-quality filtered water per day
- Simple installation means system can be installed easily under a counter, in a basement, or other convenient location



System includes tank and long-reach faucet with monitor.



Premium Drinking Water Filtration: Reverse Osmosis

GE's best filtration process reduces up to 99%* of the elements shown in the table below.

Reduces		
<i>Arsenic</i>	<i>Cysts</i>	<i>Nitrate/Nitrite</i>
<i>Sulfate</i>	<i>Ammonia</i>	<i>Magnesium</i>
<i>Tannins</i>	<i>Copper</i>	<i>Sediment</i>
<i>Chlorine</i>	<i>Taste & Odor</i>	
<i>Rust</i>	<i>Lead</i>	<i>And More!</i>
<i>Chromium</i>	<i>Sodium</i>	

SmartWater™ faucet is designed to work with a primary faucet. This short-reach, chrome on black faucet is used only when filtered water is needed, extending filter life.

Also available Reverse Osmosis replacement filters: FX12P, FX12M and FX18P.



Certified by NSF, the most highly recognized, independent testing institution in the water treatment industry. NSF inspects, tests and certifies our product performance.



GE

GXRV10ABL

Chrome on black faucet

- Large capacity provides up to 10 gallons** of high-quality filtered water per day
- Simple installation means system can be installed easily under a counter, in a basement, or other convenient location



System includes tank and short-reach faucet.

Refrigeration

Cooking Products

Microwave Ovens

Drinking Water Filtration: Dual- and Single-Stage Carbon

Note: bold = feature upgrade from previous model

SmartWater faucet is designed to work with a primary faucet. This long-reach, chrome on black faucet is used only when filtered water is needed, extending filter life.



System rated for 600 gallons of water.

Simple installation means the system can be installed easily under a counter, in a basement, or other convenient location.



Certified by NSF, the most highly recognized, independent testing institution in the water treatment industry. NSF inspects, tests and certifies our product performance.



GE

GNSV30C/GNSV25C

• **Chemical/VOC lead and cyst reduction filters included (FXSVC dual pack)**

Customize your faucet to match your kitchen with a choice of faucet colors.



GNSV30CWW
White on white



GNSV30CCC
Bisque on bisque

Reduces

<i>Chemicals/VOC</i>	<i>Cysts</i>	<i>Chlorine: Taste & Odor</i>
<i>Mercury</i>	<i>Asbestos</i>	<i>Sediment</i>
<i>Lead</i>	<i>Turbidity</i>	<i>Rust</i>

Dishwashers

Clothes Care



GE

GNSL05CBL

• **Lead and cyst reduction filters included (FXSLC dual pack)**



GE

GNIS15CBL

• **Short-reach faucet without monitor also available**

Reduces

<i>Lead</i>	<i>Lindane</i>	<i>Chlorine: Taste & Odor</i>
<i>Mercury</i>	<i>Cysts</i>	<i>Sediment</i>
<i>Atrazine</i>	<i>Turbidity</i>	<i>Rust</i>

Water Systems

Air Conditioning

*Elements reduced are not necessarily present in your water. See product specification sheet, packed with product, for specific elements reduced by model, or call the GE Answer Center® toll-free, 800.626.2000.

**As tested and validated by the Water Quality Association using Standard S-300.

Note: Depends on water pressure, temperature and total dissolved solids.

SmartWater only sold through authorized distributors.

Not all features available on all models.

For additional features, specifications and color availability, refer to pages 240-241.





C

omforting solutions.

Selecting a **GE® air conditioner** is not only good for the occupant and guests, it's a decision that will leave you resting comfortably as well. You can't go wrong with any of our units, from our newest **Vertical Zonline®** that allows any room to have a more **homelike appearance** to our traditional **Zonline packaged terminal air conditioners** and **built-in models**. All GE air conditioners are engineered to give many years of **dependable service** with a full complement of standard features and a variety of exclusive GE features. They're designed for **hassle-free installation** and **easy maintenance**.



Vertical Zonline®
GE's new vertical packaged terminal air conditioners offer all the benefits of a traditional PTAC system with the aesthetics and versatility of central air.



Zonline®
Versatile Zonline Packaged Terminal Air Conditioners are ideal for hotels and motels, office buildings, schools and apartments.



Built-In
GE built-in air conditioners are designed for high energy efficiency with EER ratings as high as 9.5 for Heat/Cool models and 9.2 for Heat Pump models.





GEAppliances.com

Refrigeration

Cooking Products

Microwave Ovens

Dishwashers

Clothes Care

Water Systems

Air Conditioning



GE Vertical Packaged Terminal Air Conditioners



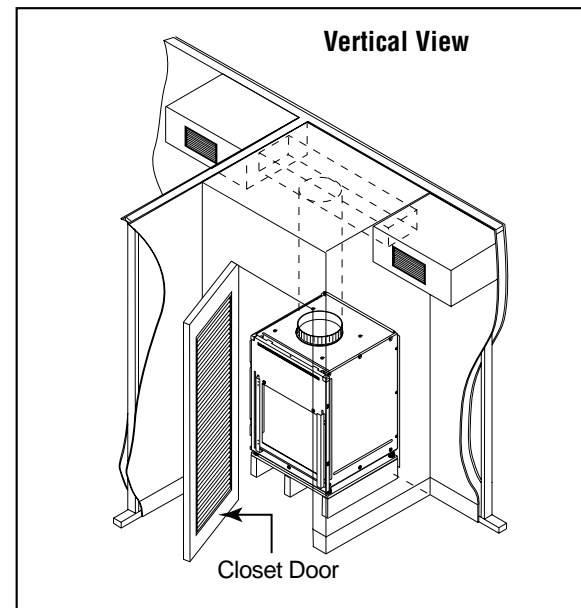
Exclusive GE Features:

- Unique sleeve design makes units easier to install.
- Three-way, slide-out chassis with specially designed case makes maintenance and service quick and easy.
- Electronic Temperature Limiting prevents expensive overheating and overcooling (requires RAVRMS accessory).

Standard Features Include:

- Freeze Sentinel™ guards against freeze damage in unoccupied rooms (requires RAVRMS accessory).
- Central Desk Control capability can reduce operating costs.
- Full Corrosion Treatment on outside coils and other components is standard.
- Ideal for hotels, motels, office buildings, schools and apartments.
- Vertical design to optimize floor space.
- Unit is concealed in a closet with exterior wall, no need to decorate around wall-mounted unit.
- Room appears much more homelike due to the ducted unit.
- Single unit can be used to cool multiple rooms.
- Each unit controlled by a remote wall thermostat.
- Quiet operation further muffled by surrounding walls with insulation and drywall.

All Zoneline® Vertical and Packaged Terminal Air Conditioners are compatible with GE wall-mounted thermostats for remote operation.



Accessories

Model #	Description	Size
RAVAL1	Exterior Grille	19 3/4" W x 32" H
RAVRG1	Access Panel (in lieu of door)	28" W x 48" H Cutout
RAVRG2	Return Air Grille	20 3/8" W x 20 3/8" H Cutout
RAVRMS	Freeze Sentinel™/Temperature Limiting Room Air Sensor	
RAK163D1	Solid State Digital Manual Changeover Thermostat (5 connection wires required)	
RAK163P1	Solid State Digital Programmable Auto Changeover Thermostat (5 connection wires required)	
RAK147D1	Solid State Digital Manual Changeover Thermostat (6 connection wires required)	
RAK147P1	Solid State Digital Programmable Auto Changeover Thermostat (6 connection wires required)	
RAVWP6	Plenum (up to 6" Wall Thickness)	19 3/4" W x 32" H
RAVWP8	Plenum (up to 8" Wall Thickness)	19 3/4" W x 32" H
RAVWP12	Plenum (up to 12" Wall Thickness)	19 3/4" W x 32" H
RAVWP15	Plenum (up to 15" Wall Thickness)	19 3/4" W x 32" H

Minimal Clearances:

- Front: Allow 4 inches in front of unit. When determining closet depth, note that Plenum may protrude into closet up to 4 inches, depending on wall depth.
- Sides: Allow 3 inches on each side of unit.
- For side access closets only: Allow 5 inches on the side where access is required.
- Platform: Note: an 8" - 12" high, field-supplied platform is recommended for drain access.

Not all features available on all models.
For additional features, specifications and color availability, refer to page 242.



Zonline®: Heat Pump and Heat/Cool Models



Versatile Zonline units provide year-round comfort with individual heating and cooling temperature control for economy and convenience.

Designed to blend with most architectural styles and interior decors, Zonline units are adaptable to a wide variety of applications, including hotels and motels, office buildings, schools and apartments. Zonline's design and easy installation also make it ideal for remodeling and room additions.

The two Zonline Series, Deluxe and Premium, offer a wide selection of features, heating and cooling capacities, and voltages to meet each zonal application. All Zonelines come with microcomputer controls, each with its own special features. Whether it's the Deluxe line with solid-state controls, high efficiency, and deluxe features, or the Premium line with higher efficiencies and sophisticated features, Zonline quality and ease of maintenance will serve its owner or users well for years to come.

Resistance Heat Models

GE Zonline packaged terminal units with resistance heat are especially suited for installations where heating demands are moderate.

Heat Pump Models

Zonline units with heat pump operation offer economical year-round comfort for zonal comfort conditioning, for most temperatures. Heating is provided by a high-efficiency heat pump. The heat pump operation is backed up with resistance heat for those times when outdoor temperatures fall below the heat pump capacity.

Deluxe Line

The Deluxe Line is a high-efficiency, two fan motors, microcomputer controlled line of cooling with resistance heat, and cooling with heat pump operation and resistance heat back up. Energy savings, plus standard features make these units an excellent value.

Dry Air 25

The Dry Air 25 Series centers around GE's exclusive use of the patented Dinh® Dehumidifier Heat Pipe from Heat Pipe Technology, Inc. This innovative NASA spin-off technology enables the Dry Air 25 to remove 25% more moisture from the air than standard units. The Dry Air 25 is perfect for high-humidity climates. Available on 7000, 9000 and 12,000 BTU Resistance Heat models.

Note: Use of drain kit RAD10 is recommended.

Premium Line

The Premium Line features high-efficiency, two fan motors, full-featured, microcomputer controlled line, cooling with heat pump and resistance heat back up. The microprocessor, with solid-state sensors, offers a variety of features for energy savings and reliable operation.

Easy Installation

Zonline models are designed for easy installation, whether in new construction, renovation or for replacement of old units. Unless specified by code, they require no sub-base and may be installed flush with the finished floor.

All models are adaptable to remote and central desk control. Zonline units may even be placed in unusual locations, such as transom or common area installations.

Compatibility with existing Zonline wall cases simplifies retrofit installations. A new chassis simply slides into the already installed wall case. A new matching rear grille should be used.

And the exclusive, Quick Connect power supply kit for Premium Line models, allows the unit to be installed on various amperage circuits.

Not all features available on all models.
For additional features, specifications and color availability, refer to pages 242-244.

2500 Series Deluxe Resistance Heat Standard Microcomputer Controls



Dry Air 25 Series Deluxe Resistance Heat Standard Microcomputer Controls



3500 Series Deluxe Heat Pumps Standard Microcomputer Controls



5500 Series Premium Heat Pumps Highly-Featured Microcomputer Controls



Refrigeration

Cooking Products

Microwave Ovens

Dishwashers

Clothes Care

Water Systems

Air Conditioning



Zonline®: Heat Pump and Heat/Cool Models (cont.)



(Premium Line Chassis Shown)

The Newest Innovation From GE®:

The Dry Air 25

The Dry Air 25 features innovative technology from Heat Pipe Technology, Inc., an addition which enables this unit to remove 25% more moisture from the air than standard models. The Dry Air 25 system, Heat Pipe, is a hermetically sealed heat transfer surface that is saddle-bagged around the indoor coil (evaporator) of the Zonline. This coil arrangement will transfer heat from one coil to another without power consumption. This assembly uses R-22 as the refrigerant and is isolated from the regular Zonline refrigerant circuit.

As warm, humid air is pulled through the pre-cool section of the Heat Pipe, the heat removed from the air is absorbed by the refrigerant, causing the refrigerant to boil. As the pre-cooled air passes through the Zonline evaporator, the air is further cooled (colder than it would be normally), removing 25% more moisture than standards units.

As the cold air passes through the re-heat section of the Heat Pipe, the refrigerant condenses and the liquid flows back to the pre-cool section to be re-heated again. The air discharged into the room by this process is much drier, creating a more comfortable room condition.

All Zonline Units Feature Superseal

Air leakage into living space wastes energy and creates an uncomfortable environment. All Zonline units meet the rigid air infiltration specifications of ASTM E283-91 which requires 7 CFM infiltration or less with a 25 mile per hour wind velocity. With optional ICR the specification is 10 CFM.

Water infiltration into a room could cause serious structural or furnishing damage.

All Zonline units are tested to ASTM E331-86 specifications which require no water infiltration when exposed to 8" per hour rainfall at 63 mile per hour wind velocity for 15 minutes. Superseal means room comfort and energy saving.

Special Corrosion Protected Units

To help extend the life of the Zonline in seacoast areas, some Deluxe Zonline units may be ordered with a special corrosion protection treatment on outdoor components and use stainless steel hardware. Zonline units with optional Corrosion Protection have a 'C' in the 10th character of the model number.

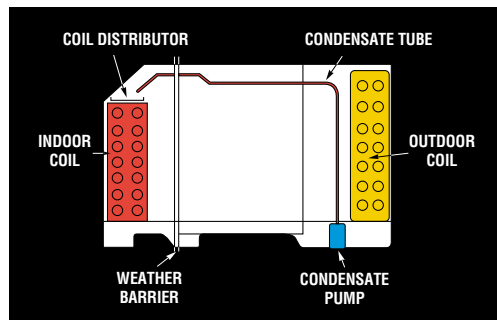
Internal Condensate Removal

Available on the 3500 and 5500 heat pumps, this feature drips the heat pump condensate over the warm indoor coil to help dissipate water from heat pump operation and associated defrost cycles. The installation of an internal or external drain system is recommended if no dripping of condensate to the outdoors is desired. ICR must not be installed in seacoast or corrosive applications.

Features	Resistance Heat		Heat Pump	
	Deluxe 2500 Series	Deluxe Dry Air 25	Deluxe 3500 Series	Premium 5500 Series
Standard Microcomputer Controls	Standard	Standard	Standard	—
Highly Featured Microcomputer Controls	—	—	—	Standard
Rotary Control Knobs	Standard	Standard	Standard	—
Tactile Touch Pad Controls with LED	—	—	—	Standard
Universal Heaters/Power Connection Kit	—	—	—	Standard
Solid-State Thermostat	Standard	Standard	Standard	Standard
Concealed Manual Vent Control	Standard	Standard	Standard	Standard
Upfront Filter	Standard	Standard	Standard	Standard
Automatic Indoor Frost Control	Standard	Standard	Standard	Standard
Corrosion Treated Chassis	Optional	Standard	Optional	N/A
2-Position Discharge Grille	Standard	Standard	Standard	Standard
Fan Motors	2	2	2	2
Fan Cycle Switch	Standard	Standard	Standard	Standard
Fan Only Setting—2-Speed	Standard	Standard	Standard	Standard
Indoor Fan Speed	Hi/Auto	Hi/Auto	Hi/Auto	Hi/Low/Auto
Staged Heating	—	—	—	Standard
Freeze Sentinel™	Standard	Standard	Standard	Standard
Temperature Limiting	Electronic 7 Step	Electronic 7 Step	Electronic 7 Step	Electronic 7 Step
Remote Control Compatibility (Requires RAKOIM)	Standard	Standard	Standard	Standard
Central Desk Control Compatibility	Standard	Standard	Standard	Standard
Service Indicator LED	—	—	—	Standard
Heat Pump with resistance heat back-up	—	—	Standard	Standard
Heat Pump with supplemental resistance heat	—	—	—	Standard
Automatic Emergency heat	—	—	Standard	Standard
Electric Resistance heat lock-out	—	—	—	Standard
Heat Pump Defrost system	—	—	Passive	Reverse Cycle
Internal Condensate Removal (ICR)	—	—	Optional	Optional
Quick Heat Recovery	—	—	Standard	Standard
Self-Diagnostics	—	—	—	Standard
Auto Power Recovery	Standard	Standard	Standard	Standard



Not all features available on all models. For additional features, specifications and color availability, refer to pages 242-244.





Built-In “J” Series: Regular Mount Chassis Only Models

These models include • Variable setting thermostat • Fan Cycle switch • Four-way air direction
• Up-front, washable air filter • “Fan Only” setting for air circulation



E.E.R. (Energy Efficiency Ratio) shown on the tag of each new unit, compares the air conditioner's cooling output with the electricity it requires for power. The higher the E.E.R. number, the more efficient the unit, and the less costly to operate.

Fan Cycle Switch helps reduce power consumption and operating costs.



Cool Only Units
Offer a variety of capacities to cool many applications.

Heat/Cool Units
Provide a variety of capacities for summer cooling, plus supplemental heat for cold weather—units combine air conditioning with electric resistance heat.

Heat Pump Units
Heat pump units offer efficient summer cooling with reverse cycle heating and back-up resistance heat for cold weather. Units include attractive room-side grille of high-impact polystyrene. These units are chassis-only models and require a separately purchased solid-sided wall case (RAB46, RAB47 or RAB48) and exterior grille (RAG13 or RAG14E) for installation.



Cool Only Units

Models	BTUH Cooling	Volts	EER	BTUH Electric Resistance Heating	Wall Case
AJCS06LCA	6000	115	9.5	—	RAB46/47/48
AJCS08ACA	8000	115	9.2	—	RAB46/47/48
AJCS10ACA	9900	115	9.2	—	RAB46/47/48
AJCS09DCA	8900/8700	230/208	9.5/9.5	—	RAB46/47/48
AJCS10DCA	9900/9700	230/208	9.2/9.2	—	RAB46/47/48
AJCS12DCA	11,600/11,400	230/208	9.0/9.0	—	RAB46/47/48



Heat/Cool Units

Models	BTUH Cooling	Volts	EER	BTUH Electric Resistance Heating	Wall Case
AJES09DCA	8900/8700	230/208	9.5/9.5	11,600/9,480	RAB46/47/48
AJES10DCA	9900/9700	230/208	9.2/9.2	11,600/9,480	RAB46/47/48
AJES12DCA	11,600/11,400	230/208	9.0/9.0	11,600/9,480	RAB46/47/48



Heat Pump Units

Models	BTUH Cooling	Volts	EER	BTUH Electric Resistance Heating	BTUH Reverse Cycle Heating†	Wall Case
AJHS08DCA*	8000/7800	230/208	9.2/9.2	11,600/9,480	7700/7500	RAB46/47/48
AJHS10DCA*	9800/9600	230/208	9.2/9.2	11,600/9,480	9700/9500	RAB46/47/48

*Model includes two-stage heating thermostat.
†At 47°F.

Note: If any “J” Series unit is a replacement unit the existing rear grille should be replaced for better performance with either stamped aluminum (RAG13) grille or architectural louvered extruded aluminum (RAG14E).

Not all features available on all models. For additional features, specifications and color availability, refer to page 245.

Refrigeration

Cooking Products

Microwave Ovens

Dishwashers

Clothes Care

Water Systems

Air Conditioning



Built-In “J” Series: High-Mount Chassis Only Models

These models include • Variable setting thermostat
• Fan Cycle switch • Four-way air direction • Up-front, washable air filter • Multiple fan speeds



For high-mount installations where control accessibility is difficult, GE® offers five “J” Series models with controls located in the lower corner of the room-side cabinet. There are two 115V and two 230V cooling only models, and one 230V model with electric heat.

Units include attractive room-side grille of high-impact polystyrene. Each unit requires a solid-sided wall case (RAB46, RAB47 or RAB48) and exterior grille (RAG13 or RAG14E) for installation.

Cool Only Units



Models	BTUH Cooling	Volts	EER	BTUH Electric Resistance Heating	Wall Case
AJCH08ACA	8000	115	9.2	–	RAB46/47/48
AJCH10ACA	9900	115	9.2	–	RAB46/47/48
AJCH10DCA	9900/9700	230/208	9.2/9.2	–	RAB46/47/48
AJCH12DCA	11,600/11,400	230/208	9.0/9.0	–	RAB46/47/48

Heat/Cool Unit



Model	BTUH Cooling	Volts	EER	BTUH Electric Resistance Heating	Wall Case
AJEH12DCA	11,600/11,400	230/208	9.0/9.0	11,600/9,480	RAB46/47/48

Built-In “J” Series: Window/Wall Mount Models

These models include • Multiple Cooling/Heating speeds • Vent/Exhaust • Multi-position thermostat
• Fan Cycle switch • Easy access filter • Slide-out chassis • EZ Mount window kit (for Cooling Only models)



For convenience and efficiency, GE offers a unique line of units that provide cooling only, cooling with electric heat, and cooling with heat pumps, for use in window or through-the-wall application. All units include solid-sided sleeve with a slide-out chassis.

Heat/Cool Units

Models	BTU	EER	Volts	Cools (sq. ft.)	Heater Wattage
AJES06LSA	6,000	9.5	115	170-210	1.2 (kw)
AJES08ASA	8,000	9.2	115	250-350	1.2 (kw)
AJES10DSA	9,900/9,700	9.2/9.2	230/208	425-525	3.4/2.8 (kw)

Heat Pump Unit

Model	BTU	EER	Volts	Cools (sq. ft.)	Heater Wattage
AJHS08ASA	8,000	9.2	115	250-350	1.2 (kw)

Cooling Only Units

Models	BTU	EER	Volts	Cools (sq. ft.)
AJCS06LZA	6,000	9.5	115	170-210
AJCS08AZA	8,000	9.2	115	250-350
AJCS10AZA	9,900	9.2	115	425-525



Cooling Only



Heat/Cool, Heat Pump

Not all features available on all models. For additional features, specifications and color availability, refer to pages 245-246.

Instant Dimensional & Installation Information

From the speed of a touchtone phone, order installation information to be delivered through your fax machine.



GE QuickSpecs
1-800-432-3729

This automated fax-on-demand system provides a quick reference to product dimensions for Monogram®, GE Profile™, GE® and Hotpoint® appliances.

- **Touchtone Activated**
Simply follow the voice prompts to make your selection from any touchtone phone.
- **Model Specific Installation Dimensions**
Select accurate installation dimensions by individual model numbers for virtually every model. Make your selection from the List of Available Documents (available by fax from GE QuickSpecs). Select up to 15 documents per call.
- **Feature and Appearances**
Feature information and product illustrations are included for most models.
- **Fax Information to Any Fax Telephone Number**
Once you make your selection, you will be asked to enter the fax telephone number where you wish your request to be faxed (your office, job site, customer). It will be faxed to the specified fax number within 15 minutes.
- **Available 24 Hours a Day, 7 Days a Week**

Specifications And Installation Information

Contents

Warranty Information.....	156-159
Refrigerators	
Side-By-Side Refrigerators.....	160, 164-165
CustomStyle™ Side-By-Side Refrigerators.....	161-163
Top-Freezer No-Frost Refrigerators.....	166, 169-171
CustomStyle™ Top-Freezer Refrigerators.....	167-168
Cycle and Manual Defrost Refrigerators.....	172
Wine Cooler.....	173
Spacemaker™ Compact Refrigerators.....	173
Bottom-Freezer Refrigerators.....	174-175
Chest and Upright Freezers.....	176
Optional Refrigerator Panels and Trim Kits.....	177
Cooking Products	
Advantium™ Ovens.....	178-179
30" Built-In Double Ovens.....	180-181
30" Built-In Single Ovens.....	182-183
27" and 24" Built-In Double Ovens.....	184-185
27" and 24" Built-In Single Ovens.....	186-187
24" Built-In Gas Ovens.....	188
30" and 27" Warming Drawers.....	189
Built-In CleanDesign Cooktops.....	190
Built-In Electric Cooktops.....	191
Built-In Downdraft Cooktops.....	192-193
Built-In Gas Cooktops.....	194
Integrated Downdraft Gas Cooktop.....	195
Select-Top™ Modular Downdraft Cooktops and Patio Grill.....	196-197
Built-In Downdraft Gas Modular Cooktops.....	197
30" Slide-In Electric Ranges.....	198-199
30" Slide-In Gas Ranges.....	200-201
30" Drop-In Electric Ranges.....	202-203
Spacemaker™ 27" Drop-In Electric Ranges.....	204
30" Free-Standing CleanDesign Electric Ranges.....	205
30" Free-Standing QuickClean™ Electric Ranges.....	206-207
40" Electric Ranges.....	207
30" Free-Standing Gas Ranges.....	208-210
Slide-Out Hoods.....	211
Telescopic Downdraft Systems.....	211-212
36" and 30" Designer Hoods.....	213
High-Performance, Performance, Deluxe and Standard Hoods.....	214
Microwave Ovens	
Spacemaker® Convection/Microwave Ovens.....	215
Convection/Microwave Wall Ovens.....	216
Spacemaker® Microwave Ovens.....	217-218
Countertop Microwave Ovens.....	219
Spacemaker II™ Microwave Ovens.....	220
Compact Microwave Ovens.....	220
Microwave Optional Oven Trim Kits.....	221
Dishwashers	
Built-In Dishwashers.....	222-224
Convertible and 18" Built-In Dishwashers.....	225
Undersink Dishwashers.....	226
Dishwasher Accessories.....	227
Disposers and Compactors.....	228
Clothes Care	
Washers.....	229-230
Dryers.....	231-232
Front-Loading Washer and Dryer.....	233
Dryer Exhausting and Installation Information.....	234-235
Spacemaker® Washers and Dryers.....	236-237
Commercial Washers and Dryers.....	237-239
Water Systems	
Air Conditioning	
Vertical Packaged Terminal Air Conditioning.....	242
Zoneline®.....	243-244
Built-In "J" Series Units and Heat Pumps.....	245
Window/Built-In "J" Series Units and Heat Pumps.....	246
Nomenclatures.....	247-251

Warranty Information*

The condensed list below is a convenient overview of the written warranties offered on various GE appliances described in this catalog. For complete warranty details on a specific GE appliance model, contact your nearest GE supplier, or call GE Factory Service, toll-free, 800-GE-CARES (800-432-2737).

Refrigerators (All models **except** GMR02BAN, GMR04BAN, GMR06AAM, GWR03AAM)

For The Period Of	GE Will Replace
One Year From the date of the original purchase	Any part in the refrigerator which fails due to a defect in materials or workmanship. During this full one-year warranty , GE will provide, free of charge , all labor and related service costs to replace the defective part.
Five Years From the date of the original purchase	Any part of the sealed refrigerating system (the compressor, condenser, evaporator and all connecting tubing) which fails due to a defect in materials or workmanship. During this full five-year sealed refrigerating system warranty , GE will also provide, free of charge , all labor and related service costs to replace the defective part.

Refrigerators and Wine Chillers

(Models GMR02BAN, GMR04BAN, GMR06AAM, GWR03AAM)

For The Period Of	GE Will Replace
One Year From the date of the original purchase	Any part in the refrigerator which fails due to a defect in materials or workmanship. During this limited one-year warranty , you will be responsible for any labor and related service costs.
Second through Fifth Year From the date of the original purchase	Compressor , if the compressor should fail due to a defect in materials or workmanship. During this additional four-year limited warranty , you will be responsible for any labor and related service costs.

Freezers

For The Period Of	GE Will Replace
One Year From the date of the original purchase	Any part in the freezer which fails due to a defect in materials or workmanship. During this full one-year warranty , GE will also provide, free of charge , all labor and related service costs to replace the defective part.
Five Years From the date of the original purchase	Any part of the sealed refrigerating system (the compressor, condenser, evaporator and all connecting tubing) which fails due to a defect in materials or workmanship. During this full five-year warranty , GE will also provide, free of charge , all labor and related service costs to replace the defective part.
One Year/ Five Years From the date of the original purchase	Food , for one-year on spoilage due to a defect in any materials or workmanship and for five years on spoilage due to a defect in materials or workmanship in the sealed refrigerating system. Under this limited warranty , a cumulative limit of \$100 for 14.9 cu. ft. and smaller, and \$150 for 15.0 cu. ft. and larger.

Icemakers

For The Period Of	GE Will Replace
One Year From the date of the original purchase	Any part in the icemaker which fails due to a defect in materials or workmanship. During this full one-year warranty , GE will provide, free of charge , all labor and related service costs to replace the defective part.

Water Filter

For The Period Of	GE Will Replace
30 Days From the date of the original purchase	Any part of the water filter cartridge which fails due to a defect in materials or workmanship. During this limited 30-day warranty , you will be responsible for any labor and related service costs.

Advantium Oven

(Models SCA2001FSS, SCA2000FWW/CC/BB, SCB2001FSS, SCB2000FWW/CC/BB)

For The Period Of	GE Will Replace
One Year From the date of the original purchase	Any part of the oven which fails due to a defect in materials or workmanship. During this full one-year warranty , GE will provide, free of charge , all labor and related service costs to replace the defective part.
Ten Years From the date of the original purchase	Halogen Speedcook Lamps , if the halogen lamps fail due to a defect in materials or workmanship. During this full ten-year warranty , GE will provide, free of charge , all labor and related service costs to replace the defective part.
Second through Tenth Year From the date of the original purchase	Magnetron Tube , if the magnetron tube should fail due to a defect in materials or workmanship. During this additional nine-year limited warranty , you will be responsible for any labor and related service costs.

Advantium Oven (Models SCA1001FSS, SCA1000DWW/CC/BB)

For The Period Of	GE Will Replace
One Year From the date of the original purchase	Any part of the oven which fails due to a defect in materials or workmanship. During this full one-year warranty , GE will provide, free of charge , all labor and related service costs to replace the defective part.
Three Years From the date of the original purchase	Heating System , if any heater or lamp fails due to a defect in materials or workmanship. During this full three-year warranty , GE will provide, free of charge , all labor and related service costs to replace the defective part.
Second through Tenth Year From the date of the original purchase	Magnetron Tube , if the magnetron tube should fail due to a defect in materials or workmanship. During this additional nine-year limited warranty , you will be responsible for any labor and related service costs.

Ranges/Cooktops/Built-In Ovens/Warming Drawers/Hoods

(Excluding CleanDesign Ranges and Cooktops)

For The Period Of	GE Will Replace
One Year From the date of the original purchase	Any part in the cooking product which fails due to a defect in materials or workmanship. During this full one-year warranty , GE will provide, free of charge , all labor and related service costs to replace the defective part.

Ranges (CleanDesign)

For The Period Of	GE Will Replace
One Year From the date of the original purchase	Any part in the cooking product which fails due to a defect in materials or workmanship. During this full one-year warranty , GE will provide, free of charge , all labor and related service costs to replace the defective part.
Second through Fifth Year From the date of the original purchase.	Glass Cooktop, Radiant Surface Units , if the glass cooktop should crack due to thermal shock, discolor, crack at the rubber seal between the glass cooktop and the porcelain edge or if the pattern wears off, or if any of the radiant surface units burn out. During this additional four-year limited warranty , you will be responsible for all labor and related service costs to replace the defective part.

Cooktops (CleanDesign)

For The Period Of	GE Will Replace
One Year From the date of the original purchase	Any part in the cooking product which fails due to a defect in materials or workmanship. During this full one-year warranty , GE will provide, free of charge , all labor and related service costs to replace the defective part.
Second through Fifth Year From the date of the original purchase.	Glass Cooktop, Radiant Surface Units , if the glass cooktop should crack due to thermal shock, discolor or if the pattern wears off, or if any of the radiant surface units should burn out. During this additional four-year limited warranty , you will be responsible for all labor and related service costs to replace the defective part.

Hoods

For The Period Of	GE Will Replace
One Year From the date of the original purchase	Any part in the hood which fails due to a defect in materials or workmanship. During this full one-year warranty , GE will provide, free of charge , all labor and related service costs to replace the defective part.

Microwave Ovens (Over-The-Range models, Built-In models, JEM31SF/WF/CF/BF, JE2160SF/WF/CF/BF and JE1590SC/WC/CC/BC)

For The Period Of	GE Will Replace
One Year From the date of the original purchase	Any part in the microwave which fails due to a defect in materials or workmanship. During this full one-year warranty , GE will provide, free of charge , all labor and related service costs to replace the defective part.
Second through Tenth Year From the date of the original purchase	Magnetron Tube , if the magnetron tube should fail due to a defect in materials or workmanship. During this additional nine-year limited warranty , you will be responsible for any labor and related service costs.

Microwave Ovens (Models JE1860SH/WH/CH/BH, JE1660WB/GB, JE1460WF/BF, JE1440WF/BF, JE1160WD/BD, JE1140WD/BD, JEM25WF/BF, JE740WY/GY)

For The Period Of	GE Will Replace
One Year From the date of the original purchase	Any part in the microwave which fails due to a defect in materials or workmanship. During this limited one-year warranty , GE will provide, free of charge , all labor (does not include trip charge to home or other service costs) to replace the defective part.
Second through Tenth Year From the date of the original purchase	Magnetron Tube , if the magnetron tube should fail due to a defect in materials or workmanship. During this additional nine-year limited warranty , you will be responsible for any labor and related service costs.

Microwave Ovens (Models JE620WF/BF, JE610WF/BF)

For The Period Of	GE Will Replace
One Year From the date of the original purchase	Any part in the microwave which fails due to a defect in materials or workmanship. During this limited one-year warranty , GE will provide, free of charge , all labor (does not include trip charge to home or other service costs) to replace the defective part.
Second through Fifth Year From the date of the original purchase	Magnetron Tube , if the magnetron tube should fail due to a defect in materials or workmanship. During this additional four-year limited warranty , you will be responsible for any labor and related service costs.

Dishwashers (Models PDW7300G, PDW7700G, PDW7800G, PDW7880G)

For The Period Of	GE Will Replace
One Year From the date of the original purchase	Any part in the dishwasher which fails due to a defect in materials or workmanship. During this full one-year warranty , GE will provide, free of charge , all labor and related service costs to replace the defective part.
Second Year From the date of the original purchase	Any part in the dishwasher which fails due to a defect in materials or workmanship. During this additional one-year limited warranty , you will be responsible for any labor and related service costs.
Third through Fifth Year From the date of the original purchase	Racks or Electronic Control Board , if either the racks or electronic control board should fail due to a defect in materials or workmanship. During this additional three-year limited warranty , you will be responsible for any labor and related service costs.
Lifetime of Product	Tub or Door Liner , if either the tub or door liner should fail due to a defect in materials or workmanship. During this full product lifetime warranty , GE will provide, free of charge , all labor and related service costs to replace the defective part.

Dishwashers (Models GSD4800G, GSD5500G, GSD5560G, GSD6200G, GSD6600G, GSD6660G)

For The Period Of	GE Will Replace
One Year From the date of the original purchase	Any part in the dishwasher which fails due to a defect in materials or workmanship. During this full one-year warranty , GE will provide, free of charge , all labor and related service costs to replace the defective part.
Second Year From the date of the original purchase	Any part of the Water Distribution System which fails due to a defect in materials or workmanship. Associated inlet and drain plumbing parts are not covered by this warranty. During this additional one-year limited warranty , you will be responsible for any labor and related service costs.
Third through Fifth Year From the date of the original purchase	Racks* or Electronic Control Board , if either the racks or electronic control board should fail due to a defect in materials or workmanship. During this additional three-year limited warranty , you will be responsible for any labor and related service costs. *Except models GSD4800G, GSD5500G, GSD5560G and GSD6200G.
Ten Years From the date of the original purchase	Tub or Door Liner , if either the tub or door liner should fail due to a defect in materials or workmanship. During this full ten-year warranty , GE will provide, free of charge , all labor and related service costs to replace the defective part.

Dishwashers (Models GSM2100G, GSC3200G, GSC3400G, GSD1900G, GSD2000G, GSD2001G, GSD2200G, GSD2201G, GSD3200G, GSD3600G, GSD3660G, GSD3800G)

For The Period Of	GE Will Replace
One Year From the date of the original purchase	Any part in the dishwasher which fails due to a defect in materials or workmanship. During this full one-year warranty , GE will provide, free of charge , all labor and related service costs to replace the defective part.
Second Year From the date of the original purchase	Any part of the Water Distribution System which fails due to a defect in materials or workmanship. Associated inlet and drain plumbing parts are not covered by this warranty. During this additional one-year limited warranty , you will be responsible for any labor and related service costs.
Ten Years From the date of the original purchase	Tub or Door Liner , if either the tub or door liner should fail due to a defect in materials or workmanship. During this full ten-year warranty , GE will provide, free of charge , all labor and related service costs to replace the defective part.

Dishwashers (Model GSS1800H)

For The Period Of	GE Will Replace
One Year From the date of the original purchase	Any part in the dishwasher which fails due to a defect in materials or workmanship. During this full one-year warranty , GE will provide, free of charge , all labor and related service costs to replace the defective part.

Compactors

For The Period Of	GE Will Replace
One Year From the date of the original purchase	Any part in the compactor which fails due to a defect in materials or workmanship. During this full one-year warranty , GE will provide, free of charge , all labor and related service costs to replace the defective part.

Disposers (Models GFC320F, GFC325F, GFC329G, GFC520F, GFC525F, GFC530F, GFC535F, GFC720F, GFB760F, GFC1020F)

For The Period Of	GE Will Replace
One Year From the date of the original purchase	The entire disposer if there is a defect in materials or workmanship relating to functional parts only (appearance parts are excluded). During this full one-year warranty , GE will also provide, free of charge , all labor charges related to replacing the original disposer.

Disposers (Models GFC520F, GFC525F)

For The Period Of	GE Will Replace
Additional One Year From the date of the original purchase	Free of charge, a replacement disposer due to a manufacturing defect relating to functional parts only of the original disposer (appearance parts are excluded). During this extended limited warranty period, you will be responsible for all installation charges relating to the replacement disposer.

Disposers (Models GFC530F, GFC535F)

For The Period Of	GE Will Replace
Additional Two Years From the date of the original purchase	Free of charge, a replacement disposer due to a manufacturing defect relating to functional parts only of the original disposer (appearance parts are excluded). During this extended limited warranty period, you will be responsible for all installation charges relating to the replacement disposer.

Disposers (Model GFC720F, GFB760F)

For The Period Of	GE Will Replace
Additional Four Years From the date of the original purchase	Free of charge, a replacement disposer due to a manufacturing defect relating to functional parts only of the original disposer (appearance parts are excluded). During this extended limited warranty period, you will be responsible for all installation charges relating to the replacement disposer.

Disposers (Model GFC1020F)

For The Period Of	GE Will Replace
Additional Six Years From the date of the original purchase	Free of charge, a replacement disposer due to a manufacturing defect relating to functional parts only of the original disposer (appearance parts are excluded). During this extended limited warranty period, you will be responsible for all installation charges relating to the replacement disposer.

Warranty Information* (continued)

GE Profile™ Washers

For The Period Of	GE Will Replace
One Year From the date of the original purchase	Any part in the washer which fails due to a defect in materials or workmanship. During this full one-year warranty , GE will provide, free of charge , all labor and related service costs to replace the defective part.
Second Year From the date of the original purchase	Any part in the washer which fails due to a defect in materials or workmanship. During this additional one-year limited warranty , you will be responsible for any labor and related service costs.
Second through Fifth Year From the date of the original purchase	Suspension Rod and Spring Assembly, and Main Electronic Control Board , if any of these parts should fail due to a defect in materials or workmanship. GE will also replace the Washer Lid or Cover , if they should rust under operating conditions. During this additional four-year limited warranty , you will be responsible for any labor and related service costs.
Second through Tenth Year From the date of the original purchase	Transmission and Outer Wash Tub , if either the transmission or outer wash tub should fail due to a defect in materials or workmanship. During this additional nine-year limited warranty , you will be responsible for any labor and related service costs.
Lifetime of Product	PermaTuf II Basket and Stainless Steel Basket , if the PermaTuf II Basket or Stainless Steel Basket should fail due to a defect in materials or workmanship. During this product lifetime limited warranty , you will be responsible for any labor and related service costs.

GE Washers and Non-Coin Commercial Washer (Model WNCD2050A)

For The Period Of	GE Will Replace
One Year From the date of the original purchase	Any part in the washer which fails due to a defect in materials or workmanship. During this full one-year warranty , GE will provide, free of charge , all labor and related service costs to replace the defective part.
Second through Fifth Year From the date of the original purchase	Transmission, Suspension Rod and Spring Assembly , if any of these parts should fail due to a defect in materials or workmanship. GE will also replace the Washer Lid or Cover , if they should rust under operating conditions. During this additional four-year limited warranty , you will be responsible for any labor and related service costs.
Second through Tenth Year From the date of the original purchase	Outer Tub , if the outer tub should fail due to a defect in materials or workmanship. During this additional nine-year limited warranty , you will be responsible for any labor and related service costs.
Second through Twentieth Year From the date of the original purchase	PermaTuf II Basket , if the PermaTuf II Basket should fail due to a defect in materials or workmanship. During this additional nineteen-year limited warranty , you will be responsible for any labor and related service costs.

GE Spacemaker® Washers

For The Period Of	GE Will Replace
One Year From the date of the original purchase	Any part in the washer which fails due to a defect in materials or workmanship. During this full one-year warranty , GE will provide, free of charge , all labor and related service costs to replace the defective part.
Second through Fifth Year From the date of the original purchase	Transmission and Electronics , if the transmission or electronics should fail due to a defect in materials or workmanship. During this additional four-year limited warranty , you will be responsible for any labor and related service costs.

GE Profile Front-Loading Washers

For The Period Of	GE Will Replace
One Year From the date of the original purchase	Any part in the washer which fails due to a defect in materials or workmanship. During this full one-year warranty , GE will provide, free of charge , all labor and related service costs to replace the defective part.
Second Year From the date of the original purchase	Any part in the washer which fails due to a defect in materials or workmanship. During this additional one-year limited warranty , you will be responsible for any labor and related service costs.
Third through Fifth Year From the date of the original purchase	Suspension Strut Assembly, Motor, Motor Controller, Washer Door or Door Panel rust-through , if any of these parts fail due to defective materials or workmanship. During this additional three-year limited warranty , you will be responsible for any labor and related service costs.
Third through Tenth Year From the date of the original purchase	Outer Tub or Driven Pulley , if either of these parts fail due to defective materials or workmanship. During this eight-year limited warranty , you will be responsible for any labor and related service costs.
Lifetime of Product	Inner Wash Basket , if the Inner Wash Basket fails due to defective materials or workmanship. During this product lifetime limited warranty , you will be responsible for any labor and related service costs.

GE Front-Loading Washers

For The Period Of	GE Will Replace
One Year From the date of the original purchase	Any part in the washer which fails due to a defect in materials or workmanship. During this full one-year warranty , GE will provide, free of charge , all labor and related service costs to replace the defective part.
Second through Fifth Year From the date of the original purchase	Suspension Strut Assembly, Motor, Washer Door or Door Panel rust-through , if any of these parts fail due to defective materials or workmanship. During this additional four-year limited warranty , you will be responsible for any labor and related service costs.
Second through Tenth Year From the date of the original purchase	Outer Tub , if the Outer Tub fails due to defective materials or workmanship. During this additional nine-year limited warranty , you will be responsible for any labor and related service costs.
Second through Twentieth Year From the date of the original purchase	Inner Wash Basket , if the Inner Wash Basket fails due to defective materials or workmanship. During this nineteen-year limited warranty , you will be responsible for any labor and related service costs.

GE Profile King-Size, Super Capacity, Extra-Large Capacity and GE Profile Front-Loading Dryers

For The Period Of	GE Will Replace
One Year From the date of the original purchase	Any part in the dryer which fails due to a defect in materials or workmanship. During this full one-year warranty , GE will provide, free of charge , all labor and related service costs to replace the defective part.
Second Year From the date of the original purchase	Any part of the dryer which fails due to a defect in materials or workmanship. During this additional one-year limited warranty , you will be responsible for any labor and related service costs.
Third through Fifth Year From the date of the original purchase	Dryer Drum and Main Electronic Control Panel* , if either of these parts should fail due to a defect in materials or workmanship. During this additional three-year limited warranty , you will be responsible for any labor and related service costs. *Main Electronic Control Panel warranty does not apply to GE Profile Front-Loading Dryers.

GE Super Capacity, Extra-Large Capacity, Large Capacity, Spacemaker and GE Front-Loading Dryers

For The Period Of	GE Will Replace
One Year From the date of the original purchase	Any part in the dryer which fails due to a defect in materials or workmanship. During this full one-year warranty , GE will provide, free of charge , all labor and related service costs to replace the defective part.

GE Coin Commercial Washers and Dryers (Models WNCJ2050A, WNCK2050A, DNCJ440EA/GA, DNCK440EA/GA, WCCB1030B, WLCD2050B, WCCD2050B, WCCH404V, DCD330EB/GB, DCB330EB/GB, DDC4400S, DDC4500S)

For The Period Of	GE Will Replace
Three Years From the date of the original purchase	Any part in the washer or dryer which fails due to a defect in materials or workmanship. During this limited three-year warranty , you will be responsible for any labor and related service costs.
Fourth through Fifth Year From the date of the original purchase	Outer Tub, Inner Basket, Dryer Drum and Cabinet rust-through , if any of these parts prove to be defective in materials or workmanship. During this additional two-year limited warranty , you will be responsible for any labor and related service costs.

GE Non-Coin Commercial Dryer

(Model DNCD450EA/GA)

For The Period Of	GE Will Replace
One Year From the date of the original purchase	Any part in the dryer which fails due to a defect in materials or workmanship. During this full one-year warranty , GE will provide, free of charge , all labor and related service costs to replace the defective part.

GE SmartWater™ Filtration Systems

(Models PNRV18ZWW, PNRV18ZCC, PNRV18ZBB, PNRV18ZWH, PNRV18ZBL, PNRV12ZBL)

For The Period Of	GE Will Replace
One Year From the date of the original purchase	Any part of the Reverse Osmosis Filtration System which fails due to a defect in materials or workmanship. During this full one-year warranty , GE will provide, free of charge , all labor and related service costs to replace the defective part.

GE SmartWater Filtration Systems (Model GXRV10ABL)

For The Period Of	GE Will Replace
One Year From the date of the original purchase	Any part of the Reverse Osmosis Filtration System which fails due to a defect in materials or workmanship. During this limited one-year warranty , GE will provide, free of charge , all labor (does not include trip charge to home or other service costs) to replace the defective part.

GE SmartWater Filtration Systems

(Models GNSV25CBL, GNSV30CWW, GNSV30CCC, GNSL05CBL)

For The Period Of	GE Will Replace
One Year From the date of the original purchase	Any part of the Water Filtration System (excluding filters) which fails due to a defect in materials or workmanship. During this full one-year warranty , GE will provide, free of charge , all labor and related service costs to replace the defective part.

GE SmartWater Softening Systems

(Models GNSH45E, GXSH39E and GXSF27E)

For The Period Of	GE Will Replace
One Year From the date of the original purchase	Any part of the water softening system which fails due to a defect in materials or workmanship. During this full one-year warranty , GE will provide, free of charge , all labor and related service costs to replace the defective part.
Second through Third Year From the date of the original purchase	Electronic Monitor , if the electronic monitor fails due to a defect in materials or workmanship. During this additional two-year limited warranty , you will be responsible for any labor and related service costs.
Second through Tenth Year From the date of the original purchase	Cabinet (Brine Tank) and Resin Tank , if either of these parts fail due to a defect in materials or workmanship. During this additional nine-year limited warranty , you will be responsible for any labor and related service costs.

Air Conditioners (Window Built-In and Built-In Units)

For The Period Of	GE Will Replace
One Year From the date of the original purchase	Any part in the air conditioner which fails due to a defect in materials or workmanship. During this full one-year warranty , GE will provide, free of charge , all labor and related service costs to replace the defective part.
Five Years From the date of the original purchase	Sealed Refrigerating System , if the sealed refrigerating system (compressor, condenser, evaporator and all connecting tubing) should fail due to a defect in materials or workmanship. During this full five-year warranty , GE will provide, free of charge , all labor and related service costs to replace the defective part.

Air Conditioners (Zoneline® and Vertical Zoneline)

For The Period Of	GE Will Replace
One Year From the date of the original purchase	Any part of the air conditioner which fails due to a defect in materials or workmanship. During this full one-year warranty , GE will provide, free of charge , all labor and related service costs to replace the defective part.
Five Years From the date of the original purchase	Sealed Refrigerating System , if any part of the Sealed Refrigerating System (the compressor, condenser, evaporator, and all connecting tubing) should fail due to a defect in materials or workmanship. During this full five-year warranty , GE will provide, free of charge , all labor and related service costs to replace the defective part.
Second through Fifth Year (Zoneline only) From the date of the original purchase <small>*Except in Alaska. See warranty for details.</small>	Fan Motors, Switches, Thermostat, Heater, Heater Protectors, Compressor Overload, Solenoids, Circuit Boards, Auxiliary Controls, Thermistors, Freeze Sentinel, Frost Controls, ICR Pump, Capacitors, Varistors and Indoor Blower Bearing , if any of these parts should fail due to a defect in materials or workmanship. During this additional four-year limited warranty , you will be responsible for any labor and related service costs.
Second through Fifth Year (Vertical Zoneline only) From the date of the original purchase	Fan Motors, Switches, Heater, Heater Protectors, Compressor Overload, Solenoids, Circuit Boards, Auxiliary Controls, Thermistors, Frost Controls, ICR Pump, Capacitors, Varistors and Indoor Blower Bearing , if any of these parts should fail due to a defect in materials or workmanship. During this additional four-year limited warranty , you will be responsible for any labor and related service costs.

Dehumidifiers

For The Period Of	GE Will Replace
One Year From the date of the original purchase <small>*Compressor only on models AHG50/40/30.</small>	Any part of the Dehumidifier which fails due to a defect in materials or workmanship. During this full one-year warranty , GE will provide, free of charge , all labor and related service costs to replace the defective part.
Five Years From the date of the original purchase	Sealed Refrigerating System , if the Sealed Refrigerating System (the compressor, condenser, dehumidifying coil and all connecting tubing) should fail due to a defect in materials or workmanship. During this full five-year warranty , GE will provide, free of charge , all labor and related service costs to replace the defective part.

*See written warranty for complete details.

This warranty is extended to the original purchaser and any succeeding owner for products purchased for home use within the USA. In Alaska, the One Year Warranty excludes the cost of shipping, or service calls to your home. Some states do not allow the exclusion or limitation of incidental or consequential damages. This warranty gives you specific legal rights, and you may also have other rights which vary from state to state. To know what your legal rights are, consult your local or state consumer affairs office or your state's Attorney General.

What GE Will Not Cover:

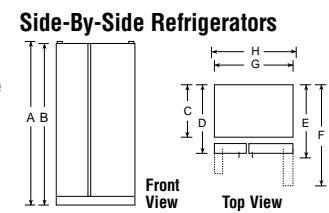
- Service trips to your home to teach you how to use the product.
- Improper installation.
- Replacement of house fuses or resetting of circuit breakers.
- Failure of the product if it is abused, misused or used for anything other than the intended purpose or used commercially.
- Damage to product caused by accident, fire, floods or acts of God.
- Incidental or consequential damage caused by possible defects with this appliance.

GE Profile Arctica™ Side-By-Side Refrigerators

	GE Profile™									
	PSS29NHP PSS29NGP	PSS27SGP	PSS27NGP	PSS26SHP	PSS26NHP	PSF26NGP	PSW26SGP	PSS26SGP	PSS26NGP	PSS26MGP
Stainless steel model				●			●	●		
Capacity										
Total (cu. ft.)	28.7 / 28.6	26.6	26.6	25.5	25.5	25.5	25.5	25.5	25.5	25.5
Fresh food (cu. ft.)	17.92 / 17.85	16.60	16.60	16.02	16.02	16.02	16.02	16.02	16.02	16.02
Freezer (cu. ft.)	10.78	9.92	9.92	9.48	9.48	9.48	9.48	9.48	9.48	9.48
Shelf area (sq. ft.)	23.9 / 25.0	23.8	23.8	22.8	22.8	23.6	23.6	23.6	23.6	23.7
Fresh Food Features										
Refreshment center	● / -			●	●					
ClimateKeeper™ system		●	●	●	●	●	●	●	●	●
Multiflow air system	●	●	●	●	●	●	●	●	●	●
Upfront electronic digital display	●	●	●	●	●	●	●	●	●	●
Upfront electronic touch temp. controls	●	●	●	●	●	●	●	●	●	●
Electronic sensors	●	●	●	●	●	●	●	●	●	●
TurboCool™ setting	●	●	●	●	●	●	●	●	●	●
SmartWater™ filtration system	Plus	Plus	Plus	Plus	Plus	Plus	Plus	Plus	Plus	Plus
LightTouch™ dispenser	Crushed Ice, Cubes, Water	Crushed Ice, Cubes, Water	Crushed Ice, Cubes, Water	Crushed Ice, Cubes, Water	Crushed Ice, Cubes, Water	Crushed Ice, Cubes, Water	Crushed Ice, Cubes, Water	Crushed Ice, Cubes, Water	Crushed Ice, Cubes, Water	Crushed Ice, Cubes, Water
Light	●	●	●	●	●	●	●	●	●	●
Child lock	●	●	●	●	●	●	●	●	●	●
Door alarm	●	●	●	●	●	●	●	●	●	●
Quick Ice™ feature	●	●	●	●	●	●	●	●	●	●
Water filter indicator light	●	●	●	●	●	●	●	●	●	●
Cabinet shelves	3 Glass	3 Glass	3 Glass	3 Glass	3 Glass	3 Glass	3 Glass	3 Glass	3 Glass	3 Glass
Adjustable	3	3	3	3	3	3	3	3	3	3
Slide-out, spillproof	2	2	2	2	2	2	2	2	2	2
QuickSpace™ shelf	●	●	●	●	●	●	●	●	●	●
Integrated shelf support system	●	●	●	●	●	●	●	●	●	●
Snuggler™ clip(s)	2	2	2	2	2	2	2	2	2	2
Deli pan	Adj. Temp.	Adj. Temp.	Adj. Temp.	Adj. Temp.	Adj. Temp.	Adj. Temp.	Adj. Temp.	Adj. Temp.	Adj. Temp.	Adj. Temp.
Vegetable/fruit crisper	Adj. Humid.	Adj. Humid.	Adj. Humid.	Adj. Humid.	Adj. Humid.	Adj. Humid.	Adj. Humid.	Adj. Humid.	Adj. Humid.	Adj. Humid.
Snack pan	Sealed	Sealed	Sealed	Sealed	Sealed	Sealed	Sealed	Sealed	Sealed	Sealed
CustomCool™ technology with full-extension drawer	●	●	●	●	●	●	●	●	●	●
ClearLook™ adjustable door bins	3 (1 Adj.) 4 (3 Adj.)	4 (3 Adj.)	4 (3 Adj.)	3 (1 Adj.)	3 (1 Adj.)	4 (3 Adj.)	4 (3 Adj.)	4 (3 Adj.)	4 (3 Adj.)	4 (3 Adj.)
Dairy compartment (removable)	●	●	●	●	●	●	●	●	●	●
In-the-door beverage rack	●	●	●	●	●	●	●	●	●	●
Interior light system	Tri-level	Tri-level	Tri-level	Tri-level	Tri-level	Tri-level	Tri-level	Tri-level	Tri-level	Dual-level
Quiet Design	Premium	Premium	Premium	Premium	Premium	Premium	Premium	Premium	Premium	Premium
Automatic moisture control	●	●	●	●	●	●	●	●	●	●
NeverClean™ condenser	●	●	●	●	●	●	●	●	●	●
ENERGY STAR®				● (10%)	● (10%)	● (15%)	● (15%)	● (15%)	● (15%)	● (15%)
Freezer Features										
FrostGuard™ technology	●	●	●	●	●	●	●	●	●	●
Integrated Ice™ system	●	●	●	●	●	●	●	●	●	●
Wire slide-out baskets	4 (3 full-ext.)	4 (3 full-ext.)	4 (3 full-ext.)	4 (3 full-ext.)	4 (3 full-ext.)	4 (3 full-ext.)	4 (3 full-ext.)	4 (3 full-ext.)	4 (3 full-ext.)	3
Wire cabinet shelves	2	2	2	2	2	2	2	2	2	2
Wire tilt-out door bin(s)	3 (2 Adj.)	3 (2 Adj.)	3 (2 Adj.)	3 (2 Adj.)	3 (2 Adj.)	3 (2 Adj.)	3 (2 Adj.)	3 (2 Adj.)	3 (2 Adj.)	3 (2 Adj.)
Fixed door bin(s)	1	1	1	1	1	1	1	1	1	1
Interior light	Dual	Dual	Dual	Dual	Dual	Dual	Dual	Dual	Dual	Dual
Exterior										
Color(s) available*	WW, CC, BB	SS	WW, CC, BB	SS	WW, CC, BB	WW, CC, BB	SS	SS	WW, CC, BB	WW, CC, BB
Door handle(s)	Black Contoured Profile	Sculptured	Color-Matched Contoured Profile	Sculptured	Color-Matched Contoured Profile	Color-Matched Contoured Profile	Sculptured	Sculptured	Color-Matched Contoured Profile	Color-Matched Contoured Profile
Exterior design	Contoured	Contoured	Contoured	Contoured	Contoured	Contoured High-Gloss	Contoured	Contoured	Contoured	Contoured
Textured steel door and case	●	Case only	●	Case only	●	Case only	●	Case only	●	●
Adjustable rollers	Front	Front	Front	Front	Front	Front	Front	Front	Front	Front
Weights & Dimensions										
Height to top of hinge (in.) A	69-1/4	69-1/4	69-1/4	69-1/4	69-1/4	69-1/4	69-1/4	69-1/4	69-1/4	69-1/4
Height to top of case (in.) B	68-3/4	68-3/4	68-3/4	68-3/4	68-3/4	68-3/4	68-3/4	68-3/4	68-3/4	68-3/4
Case depth without door (in.) C †	28	28	28	28	28	28	28-1/2	28	28	28
Case depth less door handle (in.) D †	33-9/16	32-1/4	32-1/4	32-1/4	32-1/4	32-1/4	32-3/4	32-1/4	32-1/4	32-1/4
Case depth with door handle (in.) E †	36	34-11/16	34-11/16	34-11/16	34-11/16	34-11/16	35-3/16	34-11/16	34-11/16	34-11/16
Depth w/fresh food door open 90° (in.) F †	49-11/16	50-1/16	50-1/16	50-1/16	50-1/16	50-1/16	50-9/16	50-1/16	50-1/16	50-1/16
Width G (in.)	35-3/4	35-3/4	35-3/4	35-3/4	35-3/4	35-3/4	35-7/8**	35-3/4	35-3/4	35-3/4
Width w/door open 90° less door handle H (in.)	37-3/8	36	36	36	36	36	36-3/16	36	36	36
Air clearances Each side (in.)	1/8	1/8	1/8	1/8	1/8	1/8	1/8	1/8	1/8	1/8
Top (in.)	1	1	1	1	1	1	1	1	1	1
Back (in.)	1	1	1	1	1	1	1	1	1	1
Approx. shipping weight (lbs.)	320	346	346	346	346	365	393	347	347	347
Power/Rating	120V, 60Hz, 15Amps									

*Color(s) available: SS = Stainless steel, WW = White on white, CC = Bisque on bisque, BB = Black on black.
 **Width including caps is 36-3/16".
 †Water hook-up fits in back air clearance when calculating installation depth.
 If installed against a wall, allow clearance of 14-3/16" on 25 cu. ft., 26 cu. ft. and 27 cu. ft. models; 13" on 29 cu. ft. models on freezer side to remove ice bin. To remove fresh food pans, remove door bins. Clearances required to remove fresh food full-size pan without disassembling: 18-15/16" on 25 cu. ft., 26 cu. ft. and 27 cu. ft.; 16-1/4" on 29 cu. ft. Allow additional space for any necessary leveling adjustments.
ALL MODELS AVAILABLE IN U.S. AND CANADA.
 Energy information available at www.GEAppliances.com

See page 156 for warranty information.





GE Profile Arctica CustomStyle™ Side-By-Side Refrigerators

	GE Profile™									
	PSC23SHP PSC23SGP	PSH23SGP PSI23SGP	PSC23NHP	PSC23NGP	PSH23NGP PSI23NGP	PSI23SCP	PSI23NCP	PSC23MGP	PSI23MGP	
Stainless steel model	•	•				•				
Capacity										
Total (cu. ft.)	22.7 / 22.6	22.6	22.7	22.6	22.6	22.6	22.6	22.7	22.7	
Fresh food (cu. ft.)	14.41 / 14.38	14.38	14.41	14.38	14.38	14.38	14.38	14.38	14.38	
Freezer (cu. ft.)	8.17	8.24	8.24	8.17	8.17	8.19	8.19	8.26	8.26	
Shelf area (sq. ft.)	18.6 / 19.7	19.7	18.6	19.7	19.7	20.6	20.6	19.0	19.0	
Fresh Food Features										
Refreshment center	• / -		•							
ClimateKeeper system	•	•	•	•	•	•	•	•	•	
Multiflow air system	•	•	•	•	•	•	•	•	•	
Upfront electronic digital display	•	•	•	•	•	•	•	•	•	
Upfront electronic touch temp. controls	•	•	•	•	•	•	•	•	•	
Electronic sensors	•	•	•	•	•	•	•	•	•	
TurboCool setting	•	•	•	•	•	•	•	•	•	
SmartWater filtration system	Plus	Plus	Plus	Plus	Plus			Plus	Plus	
LightTouch! dispenser	Crushed Ice, Cubes, Water	Crushed Ice, Cubes, Water	Crushed Ice, Cubes, Water	Crushed Ice, Cubes, Water	Crushed Ice, Cubes, Water			Crushed Ice, Cubes, Water	Crushed Ice, Cubes, Water	
Light	•	•	•	•	•			•	•	
Child lock	•	•	•	•	•			•	•	
Door alarm	•	•	•	•	•			•	•	
Quick Ice feature	•	•	•	•	•			•	•	
Water filter indicator light	•	•	•	•	•			•	•	
Cabinet shelves	3 Glass	3 Glass	3 Glass	3 Glass	3 Glass	3 Glass	3 Glass	3 Glass	3 Glass	
Adjustable	3	3	3	3	3	3	3	3	3	
Slide-out, spillproof	2	2	2	2	2	2	2	2	2	
QuickSpace shelf	•	•	•	•	•	•	•	•	•	
Integrated shelf system	•	•	•	•	•	•	•	•	•	
Snugger clip(s)	1 / 2	2	1	2	2	2	2	2	2	
Deli pan	Adj. Temp.	Adj. Temp.	Adj. Temp.	Adj. Temp.	Adj. Temp.	Adj. Temp.	Adj. Temp.	Adj. Temp.	Adj. Temp.	
Vegetable/fruit crisper	Adj. Humid.	Adj. Humid.	Adj. Humid.	Adj. Humid.	Adj. Humid.	Adj. Humid.	Adj. Humid.	Adj. Humid.	Adj. Humid.	
Snack pan	Sealed	Sealed	Sealed	Sealed	Sealed	Sealed	Sealed	Sealed	Sealed	
CustomCool technology with full-extension drawer	•	•	•	•	•	•	•			
ClearLook adjustable door bins	3 (1 Adj.) 4 (3 Adj.)	4 (3 Adj.)	3 (1 Adj.)	4 (3 Adj.)	4 (3 Adj.)	4 (3 Adj.)	4 (3 Adj.)	4 (3 Adj.)	4 (3 Adj.)	
Dairy compartment (removable)	•	•	•	•	•	•	•	•	•	
Can storage rack (door)	• / -	•	•	•	•	•	•	•	•	
In-the-door beverage rack	- / •	•	•	•	•	•	•	•	•	
Interior light system	Tri-level	Tri-level	Tri-level	Tri-level	Tri-level	Tri-level	Tri-level	Dual-level	Dual-level	
Quiet Design	Premium	Premium	Premium	Premium	Premium	Premium	Premium	Premium	Premium	
Automatic moisture control	•	•	•	•	•	•	•	•	•	
NeverClean condenser	•	•	•	•	•	•	•	•	•	
ENERGY STAR®	•	• / -	•	•	• / -	•	•	•	•	
Freezer Features										
FrostGuard technology	•	•	•	•	•	•	•	•	•	
Integrated Ice system	•	•	•	•	•	•	•	•	•	
Wire slide-out baskets	4 (3 full-ext.)	4 (3 full-ext.)	4 (3 full-ext.)	4 (3 full-ext.)	4 (3 full-ext.)	4 (3 full-ext.)	4 (3 full-ext.)	3	3	
Wire cabinet shelves	2 (1 slide-out)	2 (1 slide-out)	2 (1 slide-out)	2 (1 slide-out)	2 (1 slide-out)	2 (1 slide-out)	2 (1 slide-out)	2 (1 slide-out)	2 (1 slide-out)	
Wire tilt-out door bin(s)	3 (2 Adj.)	3 (2 Adj.)	3 (2 Adj.)	3 (2 Adj.)	3 (2 Adj.)	4 (3 Adj.)	4 (3 Adj.)	3 (2 Adj.)	3 (2 Adj.)	
Fixed door bins	1	1	1	1	1	1	1	1	1	
Interior light	Dual	Dual	Dual	Dual	Dual	Dual	Dual	Dual	Dual	
Exterior										
Color(s) available*	SS	BS	WW, CC, BB	WW, CC, BB	WW, CC, BB	BS	WW, CC, BB	WW, CC, BB	WW, CC, BB	
CustomStyle configuration	Trimless	Trimless	Trimless	Trimless	Installed Trim	Trimless	Installed Trim	Trimless	Installed Trim	
Door handles*	Sculptured	SS Full-length	CM Profile	CM Profile	CM Full-length	SS Full-length	CM Full-length	CM Profile	CM Full-length	
Exterior design	Rounded Doors	Squared Doors	Rounded Doors	Rounded Doors	Squared Doors	Squared Doors	Squared Doors	Rounded Doors	Squared Doors	
Textured steel door and case	Case only	Case only	•	•	Case only	Case only	Case only	•	Case only	
Adjustable rollers	All	All	All	All	All	All	All	All	All	
Weights & Dimensions										
Height to top of hinge (in.) A	69-1/4	69-1/4	69-1/4	69-1/4	69-1/4	69-1/4	69-1/4	69-1/4	69-1/4	
Height to top of case (in.) B	68-3/4	68-3/4	68-3/4	68-3/4	68-3/4	68-3/4	68-3/4	68-3/4	68-3/4	
Height to top of door trim (in.) C		70-1/4			70-1/4	70-1/4	70-1/4		70-1/4	
Case depth without door (in.) D	23-7/8	23-7/8	23-7/8	23-7/8	23-7/8	23-7/8	23-7/8	23-7/8	23-7/8	
Case depth less door handle (in.) E	26-3/4	26-3/4	26-3/4	26-3/4	26-3/4	26-3/4	26-3/4	26-3/4	26-3/4	
Case depth with door handle (in.) F	29-3/16	28-5/16	29-3/16	29-3/16	28-5/16	28-5/16	28-5/16	29-3/16	28-5/16	
Depth w/fresh food door open 90° (in.) G	45-9/16	45-9/16	45-9/16	45-9/16	45-9/16	45-9/16	45-9/16	45-9/16	45-9/16	
Width (in.) H	35-3/4	35-3/4	35-3/4	35-3/4	35-3/4	35-3/4	35-3/4	35-3/4	35-3/4	
Width w/door open 90° w/door handle (in.) I	38-3/16	37-5/16	38-3/16	38-3/16	37-5/16	37-5/16	37-5/16	38-3/16	37-5/16	
Air clearances Each side (in.)	1/8	1/8	1/8	1/8	1/8	1/8	1/8	1/8	1/8	
Top (in.)	1	1	1	1	1	1	1	1	1	
Back (in.)	1/2	1/2	1/2	1/2	1/2	1/2	1/2	1/2	1/2	
Approx. shipping weight (lbs.)	334	334	334	334	334	334	334	334	334	
Power/Rating	120V, 60Hz, 15Amps									
Accessories										
Factory trim kit attached	N/A	N/A	N/A	N/A	•	N/A	•	N/A	•	
Black acrylic panels (optional)	N/A	N/A	N/A	N/A	PSPK23DDB	N/A	PSPK23CBB	N/A	PSPK23DBB	
White acrylic panels (optional)	N/A	N/A	N/A	N/A	PSPK23DWW	N/A	PSPK23CWW	N/A	PSPK23DWW	
Bisque acrylic panels (optional)	N/A	N/A	N/A	N/A	PSPK23DCC	N/A	PSPK23CCC	N/A	PSPK23DCC	
Stainless steel panels (optional)	N/A	N/A	N/A	N/A	PSPK23DSS	N/A	N/A	N/A	PSPK23DSS	
Black collar trim (optional)	N/A	TRMBISBB	N/A	N/A	TRMBISBB	TRMBISBB	TRMBISBB	N/A	TRMBISBB	
White collar trim (optional)	N/A	TRMBISWW	N/A	N/A	TRMBISWW	TRMBISWW	TRMBISWW	N/A	TRMBISWW	
Bisque collar trim (optional)	N/A	TRMBISCC	N/A	N/A	TRMBISCC	TRMBISCC	TRMBISCC	N/A	TRMBISCC	
Stainless steel collar trim (optional)	N/A	TRMBISSS	N/A	N/A	TRMBISSS	TRMBISSS	TRMBISSS	N/A	TRMBISSS	

*Color(s) available: BS = Black case with stainless steel doors, SS = Stainless steel, WW = White on white, CC = Bisque on bisque, BB = Black on black, CM = Color-Matched. If installed against a wall, allow clearance of 13-15/16" on freezer side to remove bin. Clearance required to remove fresh food full size pan without disassembling is 18-5/8".
ALL MODELS AVAILABLE IN U.S. AND CANADA.

See page 156 for warranty information.



Refrigeration

Cooking Products

Microwave Ovens

Dishwashers

Clothes Care

Water Systems

Air Conditioning

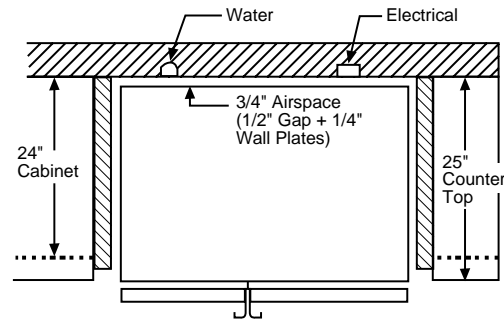
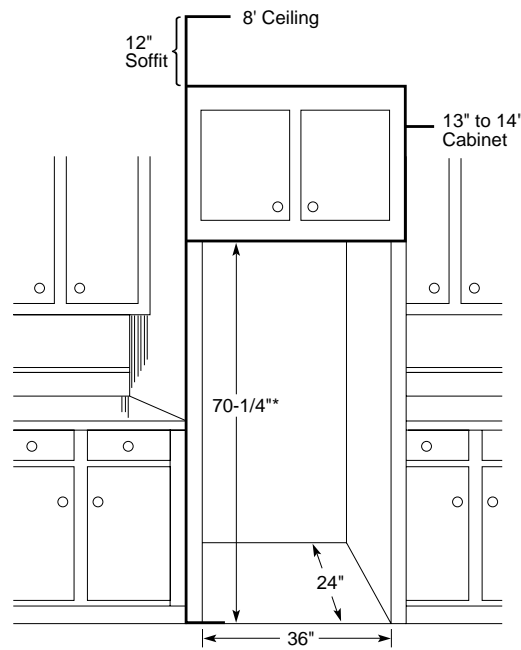
GE Profile Arctica CustomStyle™ Side-By-Side Installation Information and Specifications

Rough-In Dimensions

Standard, New Construction and Replacement Installation

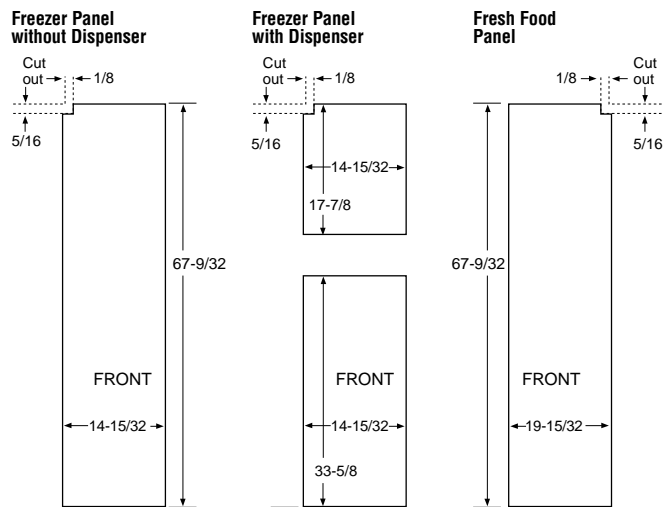
Installation Tips to Maximize the Built-In Look

- All wall/floor molding should be removed prior to installation.
- Water recess on rear wall recommended to prevent water line damage. 48" minimum length, 1/4" diameter water line tubing recommended.
- When possible, recess both copper water line and electrical outlet. (See local codes)
- Front and rear leveling legs are adjustable for the built-in look. (See owner's manual)
- If optional collar trim kit is to be used or anticipated, see collar trim installation on next page for different rough-in dimensions.



*The rough-in dimension of 70-1/4" is minimum and is measured from the finished floor to top of opening (or the underside of the overhead cabinets). For Models with Trim Kit: If frameless style cabinets are planned for above the refrigerator, you may need to consider adding a maximum of 1/4" (70-1/2") to height of opening to allow additional clearance between cabinet doors and top of refrigerator trim when cabinet doors are in open position.

Door Panel Dimensions



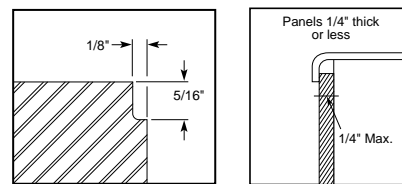
Order your own custom wood panels to match cabinetry or other decor.

Panels up to 1/4" thick will fit door frame with no special preparation. Add filler behind material thinner than 1/4" for proper fit.

Weight Limits: Total weight of panels (i.e., both freezer panels)— Fresh Food = 38 lbs., Freezer = 28 lbs.

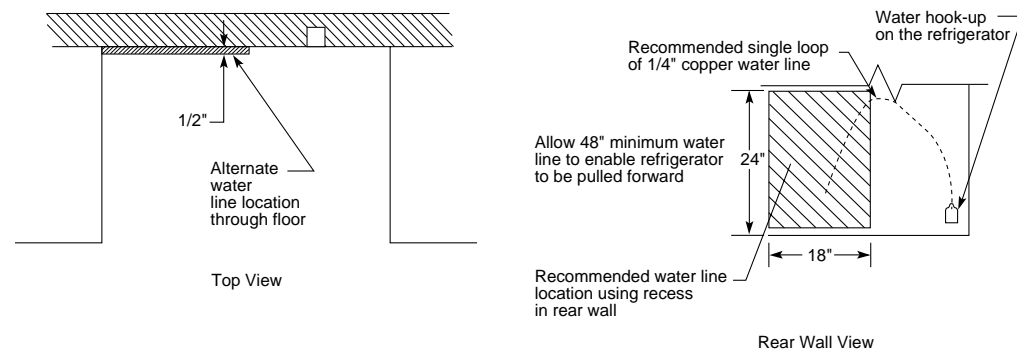
Note: Panels up to 3/4" will require special routing area around handles. Dimensions may vary depending on depth of panel.

Detail C



(Fresh Food panel shown)
Notch required at top corner as noted.

Installation of Water Outlets



IMPORTANT: Before finalizing specifications for your GE Profile CustomStyle Refrigerator, please NOTE:

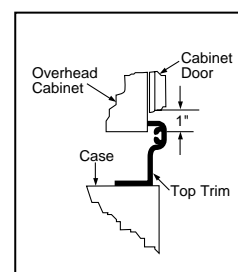
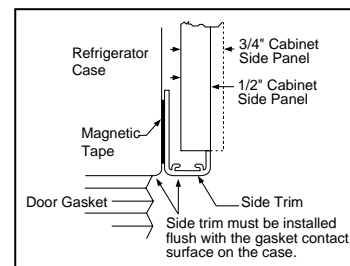
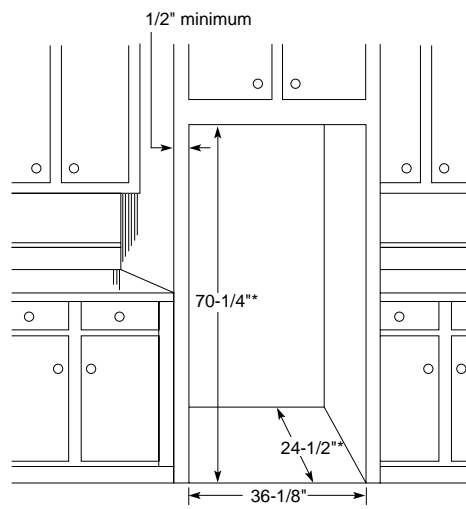
- A minimum of 36" is required for refrigerator installation
- Be sure to allow for 1/2" or 3/4" side panels in addition to the 36" minimum

See page 156 for warranty information.

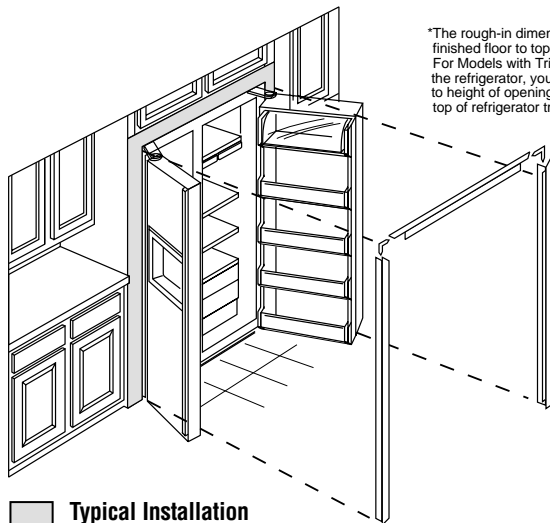


Collar Trim Installation

An enclosure is **required** to match up to the trim, see Typical Installation. To obtain the most integrated look, the cabinet or soffit above the refrigerator should extend out to the same depth as the side panels. The refrigerator opening must have minimum dimensions of 70-1/4" high x 36-1/8" wide x 24-1/2" deep as shown at right. If there is an overhead cabinet, allow 1" for cabinet door clearance with the top trim piece so the cabinet doors can be opened without hitting the top trim. If 1/2" side panels are used, then side trim and panel will be even. If 3/4" side panels are used, then some of the side panel will extend beyond the trim and must be finished.



*The rough-in dimension of 70-1/4" is minimum and is measured from the finished floor to top of opening (or the underside of the overhead cabinets). For Models with Trim Kit: If frameless style cabinets are planned for above the refrigerator, you may need to consider adding a maximum of 1/4" (70-1/2") to height of opening to allow additional clearance between cabinet doors and top of refrigerator trim when cabinet doors are in open position.

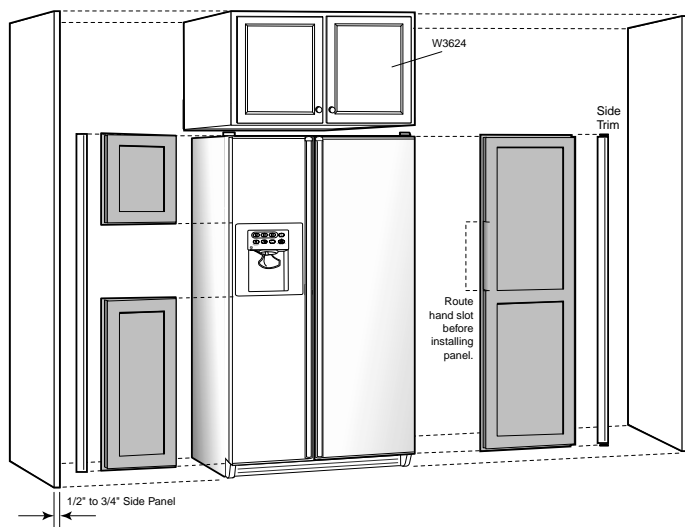


Typical Installation
Shaded areas represent front surfaces of side panels and overhead cabinet or soffit that contacts trim.

IMPORTANT: Before finalizing specifications for your GE Profile CustomStyle Refrigerator, please NOTE:
• A minimum of 36-1/8" is required for refrigerator installation with collar
• Be sure to allow for 1/2" or 3/4" side panels in addition to the 36-1/8" minimum

Create a Custom Look for Your GE Profile CustomStyle Side-By-Side Refrigerator

Still another advantage offered by GE Profile CustomStyle Refrigerators is ease of installation. For a refrigerator that does so much to enhance the beauty of your kitchen, the "behind-the-scenes" preparation and installation are surprisingly simple.



Fabricating the Enclosure

- The drawing shows an 84" cabinet elevation. Adjust dimensions accordingly for other cabinet elevations.
- Cabinet pieces to order: (2) side panels and (1) wall cabinet.
- Side panels will typically be attached to adjacent cabinets and/or cleated to rear wall and floor.
- Refer to GE refrigerator installation instructions for proper plumbing, and electrical and air clearances.
- (1) Some framed cabinet lines will make a refrigerator enclosure with a cabinet 12" high x 39" wide with sides and 1-1/2" face frame extended down to floor to create the refrigerator space. This will replace the above construction.
- (2) A tall cabinet on either side of the refrigerator can replace a side panel!
- Counter overhangs on either side of the refrigerator should have clipped corners to allow for full door swing.
- If the refrigerator has a wall returning beyond the front of the refrigerator on either side, a 2" tall filler will help to allow for movement of the door.

Door Panels

- See drawings for exact dimensions of the fresh-food and freezer door panels.
- Refrigerator door fronts from stock and most semi-custom cabinet manufacturers will be supplied as 1/4"-thick panels cut to dimensions, with closest available standard door sizes applied to front.
 - This will leave a "reveal" at top/bottom and sides.
 - Width of "reveal" will depend on manufacturer's standard door sizes.
 - Door will be affixed on the 1/4" panels at factory or in the field by the local supplier, depending on manufacturer.
- Local shop-built or custom cabinet supplier may fabricate custom 3/4" panels. In this case, edges must be routed.
- Follow notes on drawing to assure room for fingers/hands to open handles.

See page 156 for warranty information.



GE® Side-By-Side Refrigerators

	GE "L" Series		GE "S" Series		GE "K" Series		GE "W" Series		GE "J" Series		
	GSS25LSP GSS25LGP	GSS25SGP GSH25SGP	GSS22SGP GSH22SGP	GSH25KGP	GSH22KGP	GSL25WGP GSS25WGP	GSL22WGP GSS22WGP	GSL25JFP GSH25JFP	GSL22JFP GSH22JFP	GSS25JEP GSS22JEP	
Stainless steel model	● / -		●								
Capacity											
Total (cu. ft.)	25.4	24.9	21.8	24.9	21.8	24.9	21.8	24.9	21.8	24.9 / 21.8	
Fresh food (cu. ft.)	15.90	15.33	14.70	15.33	14.70	15.33	14.70	15.33	14.70	15.33 / 14.70	
Freezer (cu. ft.)	9.48	9.53	7.11	9.53	7.11	9.53	7.11	9.53	7.11	9.53 / 7.11	
Shelf area (sq. ft.)	23.7	24.1	7.11	24.1	22.1	24.1	22.1	22.4	20.4	22.4 / 20.4	
Fresh Food Features											
SmartWater™ filtration system	Plus	Plus	Plus	Plus	Plus	Plus	Plus	●	●	●	
Light Touch! dispenser features	Crushed Ice, Cubes, Water	Crushed Ice, Cubes, Water	Crushed Ice, Cubes, Water	Crushed Ice, Cubes, Water	Crushed Ice, Cubes, Water	Crushed Ice, Cubes, Water	Crushed Ice, Cubes, Water	Crushed Ice, Cubes, Water	Crushed Ice, Cubes, Water	Crushed Ice, Cubes, Water	
Light	●	●	●	●	●	●	●	●	●	●	
Child lock	●	●	●	●	●	●	●	●	●	●	
Door alarm	●										
Water filter indicator light	●	●	●	●	●	●	●				
Upfront electronic touch temperature controls	●										
Upfront electronic temperature controls	●										
Cabinet shelves	3 Glass	3 Glass	3 Glass	3 Glass	3 Glass	3 Glass	3 Glass	3 Glass	3 Glass	3 Glass	
Adjustable	3	3	3	3	3	3	3	3	3	3	
Slide-out	2	2	2	2	2	3	3				
Spillproof	2	2	2	2	2	3	3	●	●	●	
QuickSpace™ shelf	●	●	●	●	●						
Integrated shelf system	●										
TurboCool™ setting	●										
Snugger™ clip	1	1	1	1	1	1	1				
Deli pan	1 Sealed	1 Adj. Temp.	1 Adj. Temp.	1 Adj. Temp.	1 Adj. Temp.	1 Adj. Temp.	1 Adj. Temp.	1 Adj. Temp.	1 Adj. Temp.	1 Adj. Temp.	
Vegetable/fruit crisper	1 Adj. Humid.	1 Adj. Humid.	1 Adj. Humid.	1 Adj. Humid.	1 Adj. Humid.	1 Adj. Humid.	1 Adj. Humid.	1 Sealed	1 Sealed	1 Sealed	
Snack pan	●	●	●	●	●	●	●				
Adjustable door bins	4 (3 Adj. w/ gallon storage)	4 (2 Adj. w/ gallon storage)	4 (2 Adj. w/ gallon storage)	4 (2 Adj. w/ gallon storage)	4 (2 Adj. w/ gallon storage)	4 (2 Adj. w/ gallon storage)	4 (2 Adj. w/ gallon storage)	4 (2 Adj. w/ gallon storage)	4 (2 Adj. w/ gallon storage)	4 (2 Adj. w/ gallon storage)	
Dairy compartment	●	●	●	●	●	●	●	●	●	●	
Utility bin (clear)	●	●	●	●	●	●	●				
Interior light system	Dual-level	Dual-level	Dual-level	Dual-level	Dual-level	Dual-level	Dual-level	Dual-level	Dual-level	Single	
Quiet Design	Deluxe	Deluxe	Deluxe	Deluxe	Deluxe	Deluxe	Deluxe	Deluxe	Deluxe	Deluxe	
Automatic moisture control	●	●	●	●	●	●	●	●	●	●	
NeverClean™ condenser	●	●	●	●	●	●	●	●	●	●	
ENERGY STAR®	●	- / ●	- / ●	●	●			- / ●	- / ●		
Freezer Features											
Integrated Ice™ system	●										
FrostGuard™ technology	●	●	●	●	●	●	●	●	●	●	
Factory-installed electronic icemaker & bin	●	●	●	●	●	●	●	●	●	●	
Wire cabinet shelves	2 (1 slide-out)	4 (3 Adj.)	4 (3 Adj.)	4 (3 Adj.)	4 (3 Adj.)	4 (3 Adj.)	4 (3 Adj.)	4 (3 Adj.)	4 (3 Adj.)	4 (3 Adj.)	
Storage basket(s)	3 wire (slide-out)	1 wire (slide-out)	1 wire (slide-out)	1 wire (slide-out)	1 wire (slide-out)	1 wire (slide-out)	1 wire (slide-out)	1 bin	1 bin	1 bin	
Door shelves	3 (2 Adj.)	5	5	5	5	5	5	5	5	5	
Interior light	●	●	●	●	●	●	●	●	●	●	
Appearance											
Color(s) available*	BS/WW, CC, BB	SS	SS	WW, CC, BB	WW, CC, BB	CleanSteel™/WWCC	CleanSteel™/WWCC	CleanSteel™/WWCC	CleanSteel™/WWCC	WW, CC, BB	
Deluxe door handle(s)*	Black Premium/CM	Stainless Steel	Stainless Steel	CM Premium	CM Premium	Black/CM Profile	Black/CM Profile	CM Premium	CM Premium	CM Premium	
Textured steel door and case	Case only / ●	Case only	Case only	●	●	●	●	●	●	●	
Adjustable rollers	Front	Front	Front	Front	Front	Front	Front	Front	Front	Front	
Weights & Dimensions											
Height to top of hinge (in.) A	69-1/4	69-3/4	67-1/2	69-3/4	67-1/2	69-3/4	67-1/2	69-3/4	67-1/2	69-3/4 / 67-1/2	
Height to top of case (in.) B	68-3/4	68-3/4	66-1/2	68-3/4	66-1/2	68-3/4	66-1/2	68-3/4	66-1/2	68-3/4 / 66-1/2	
Case depth without door (in.) C†	28	28	28	28	28	28	28	28	28	28	
Case depth less door handle (in.) D†	31-1/4	31-1/4	31-1/4	31-1/4	31-1/4	30-3/4	30-3/4	31-1/4	31-1/4	31-1/4	
Case depth with door handle (in.) E†	33-9/16	33-9/16	33-9/16	33-9/16	33-9/16	33-9/16	33	33	33-9/16	33-9/16	
Depth with fresh food door open 90° (in.) F†	50-1/16	49-3/8	49-3/8	49-3/8	49-3/8	48-13/16	48-13/16	49-3/8	49-3/8	49-3/8	
Width (in.) G	35-3/4	35-3/4	33-1/2	35-3/4	33-1/2	35-3/4	33-1/2	35-3/4	33-1/2	35-3/4 / 33-1/2	
Width w/door open 90° less door handle (in.) H	36	35-3/4	33-1/2	35-3/4	33-1/2	35-3/4	33-1/2	35-3/4	33-1/2	35-3/4 / 33-1/2	
Air clearances Each side (in.)	1/8	1/8	1/8	1/8	1/8	1/8	1/8	1/8	1/8	1/8	
Top (in.)	1	1	1	1	1	1	1	1	1	1	
Back (in.)	1	1	1	1	1	1	1	1	1	1	
Approx. shipping weight (lbs.)	338	338	334	338	315	338	315	338	315	338 / 315	
Power/Ratings	120V, 60Hz, 15Amps										

*Color(s) available: BS = Black case with stainless steel doors, SS = Stainless steel, WW = White on white, CC = Bisque on bisque, BB = Black on black, CM = Color-Matched.
†Water hook-up fits in back air clearance when calculating installation depth.

If installed against a wall, allow clearance of 10-3/4" on 20 cu. ft. and 22 cu. ft. models; 14-3/16" on 25 cu. ft. models on freezer side to remove bin. Clearances required to remove fresh food full-size pan without disassembling: 13-1/2" on 20 cu. ft.; 15" on 22 cu. ft.; and 18-15/16" on 25 cu. ft. Allow additional space for any necessary leveling adjustments.

ALL MODELS AVAILABLE IN U.S. AND CANADA.



Total volume and shelf area are calculated by the Association of Home Appliance Manufacturers' standards.

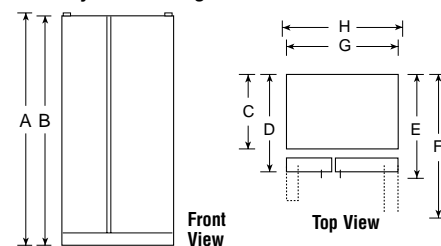


Listed by Underwriters Laboratories

See page 156 for warranty information.

164

Side-By-Side Refrigerators





	GE "I" Series		GE "D" Series
	GSS22IBP GSS20IBP	GSS20IEP	GSS20DBP
Capacity			
Total (cu. ft.)	21.8 / 19.84	19.94	19.84
Fresh food (cu. ft.)	14.84 / 12.87	12.87	12.87
Freezer (cu. ft.)	7.04	7.14	7.04
Shelf area (sq. ft.)	21.1 / 18.0	17.3	18.1
Fresh Food Features			
LightTouch! dispenser features		Crushed Ice, Cubes, Water	
Light		●	
Upfront electronic temperature controls	●	●	●
Cabinet shelves	3 Glass	3 Glass	3 Wire Everwhite
Adjustable	3	3	3
Deli pan	1 Sealed	1 Adj. Temp.	1 Sealed
Vegetable/fruit crisper	1 Sealed	1 Sealed	1 Sealed
Adjustable door bins	4 (2 Adj. w/ gallon storage)	4 (2 w/ gallon storage)	4 (2 w/ gallon storage)
Dairy compartment	●	●	●
Interior light system	Single-level	Single-level	Single-level
Quiet Design	Deluxe	Deluxe	Deluxe
Automatic moisture control	●	●	●
NeverClean condenser	●	●	●
Freezer Features			
FrostGuard technology	●	●	●
Factory-installed electronic icemaker & bin	Opt. (IM5SS)	●	Opt. (IM5SS)
	5 (4 Adj.)		
Wire cabinet shelves	4 (3 Adj.)	3 (2 Adj.)	4 (3 Adj.)
Storage bin(s)	1	1	1
Door shelves	6	5	6
Interior light	●	●	●
Appearance			
Color(s) available*	WW, CC	WW, CC, WH	WW, CC
Deluxe door handle(s)*	CM	WW, CC, BK	CM
Textured steel door and case	●	●	●
Adjustable rollers	Front	Front	Front
Weights & Dimensions			
Height to top of hinge (in.) A	67-1/2	67-1/2	67-1/2
Height to top of case (in.) B	66-1/2	66-1/2	66-1/2
Case depth without door (in.) C†	28	28	28
Case depth less door handle (in.) D†	31-1/4	31-1/4	31-1/4
Case depth with door handle (in.) E†	33-9/16	33-9/16	33-9/16
Depth with fresh food door open 90° (in.) F†	49-3/8 / 47-3/8	47-3/8	47-3/8
Width (in.) G	33-1/2 / 31-1/2	31-1/2	31-1/2
Width w/door open 90° less door handle (in.) H	33-5/8 / 31-5/8	31-5/8	31-5/8
Air clearances Each side (in.)	1/8	1/8	1/8
Top (in.)	1	1	1
Back (in.)	1	1	1
Approx. shipping weight (lbs.)	315 / 300	300	300
Power/Ratings	120V, 60Hz, 15Amps		

*Color(s) available: WW = White on white, CC = Bisque on bisque, WH = White, BK = Black, CM = Color-Matched.
 †Water hook-up fits in back air clearance when calculating installation depth.

If installed against a wall, allow clearance of 10-3/4" on 20 cu. ft. and 22 cu. ft. models;
 14-3/16" on 25 cu. ft. models on freezer side to remove bin.

To remove fresh food pans, remove door bins.

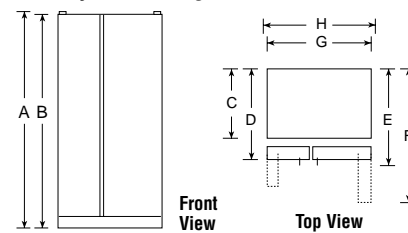
Clearances required to remove fresh food full-size pan without disassembling:

13-1/2" on 20 cu. ft.; 15" on 22 cu. ft.; and 18-15/16" on 25 cu. ft.

Allow additional space for any necessary leveling adjustments.

ALL MODELS AVAILABLE IN U.S. AND CANADA.

Side-By-Side Refrigerators



Refrigeration

Cooking Products

Microwave Ovens

Dishwashers

Clothes Care

Water Systems

Air Conditioning



GE Profile Arctica™ Top-Freezer Refrigerators

	GE Profile Arctica					
	PTS25LHP	PTS25SHP	PTS22LHP	PTS22SHP	PTS22LCP	PTS22SCP
Stainless steel model		●		●		●
Capacity						
Total (cu. ft.)	24.6	24.6	21.7	21.7	21.7	21.7
Fresh food (cu. ft.)	17.51	17.51	15.35	15.35	15.35	15.35
Freezer (cu. ft.)	7.08	7.08	6.35	6.35	6.35	6.35
Shelf area (sq. ft.)	29.1	29.1	26.3	26.3	26.3	26.3
Fresh Food Features						
Internal water dispenser	●	●	●	●		
ClimateKeeper™ system	●	●	●	●	●	●
Multiflow air system	●	●	●	●	●	●
Upfront electronic touch temperature controls	●	●	●	●	●	●
Electronic sensors	●	●	●	●	●	●
GE SmartWater™ filtration	●	●	●	●		
Cabinet shelves	4 Glass	4 Glass	4 Glass	4 Glass	4 Glass	4 Glass
Adjustable	4 Split	4 Split	4 Split	4 Split	4 Split	4 Split
Slide-out, removable	3	3	3	3	3	3
Spillproof	4	4	4	4	4	4
ShelfSaver™ rack	●	●	●	●	●	●
Deli pan	Adj. Temp.	Adj. Temp.	Adj. Temp.	Adj. Temp.	Adj. Temp.	Adj. Temp.
Vegetable/fruit crisper(s)	2 Adj. Humid.	2 Adj. Humid.	2 Adj. Humid.	2 Adj. Humid.	2 Adj. Humid.	2 Adj. Humid.
Pivot-out pan removal system	●	●	●	●	●	●
ClearLook™ adjustable gallon door bins	4 (Adj.)	4 (Adj.)	4 (Adj.)	4 (Adj.)	4 (Adj.)	4 (Adj.)
Snugger™ clip(s)	2	2	2	2	2	2
Fixed door bins	1 (Tall Bottle)	1 (Tall Bottle)	1 (Tall Bottle)	1 (Tall Bottle)	1 (Tall Bottle)	1 (Tall Bottle)
Dairy compartment	●	●	●	●	●	●
Interior light system	Dual	Dual	Dual	Dual	Dual	Dual
Quiet Design	Premium	Premium	Premium	Premium	Premium	Premium
Automatic moisture control	●	●	●	●	●	●
NeverClean™ condenser	●	●	●	●	●	●
ENERGY STAR®	●	●	●	●	●	●
Freezer Features						
Factory-installed electronic icemaker and bin	●	●	●	●	●	●
Multiflow air system (freezer)	●	●	●	●	●	●
Ice storage bin	Ice Bucket	Ice Bucket	Ice Bucket	Ice Bucket	Ice Bucket	Ice Bucket
FrostGuard™ technology	●	●	●	●	●	●
Spillproof freezer floor	●	●	●	●	●	●
Wire freezer compartment shelves	1 full-width (2 pos.)	1 full-width (2 pos.)	1 full-width (2 pos.)	1 full-width (2 pos.)	1 full-width (2 pos.)	1 full-width (2 pos.)
Freezer door bins	2 (1 Adj.)	2 (1 Adj.)	2 (1 Adj.)	2 (1 Adj.)	2 (1 Adj.)	2 (1 Adj.)
Tilt-out locking freezer door bin	●	●	●	●	●	●
Interior light	●	●	●	●	●	●
Exterior						
Color(s) available*	WW, CC, BB	BS	WW, CC, BB	BS	WW, CC, BB	BS
Deluxe door handle(s)	Color-Matched	Black	Color-Matched	Black	Color-Matched	Black
Customer installed handles	●	●	●	●	●	●
Exterior design	Rounded Doors	Rounded Doors	Rounded Doors	Rounded Doors	Rounded Doors	Rounded Doors
Reversible doors	●	●	●	●	●	●
Adjustable rollers	Front	Front	Front	Front	Front	Front
Weights & Dimensions						
Height to top of hinge (in.) A	68-5/8	68-5/8	67-1/2	67-1/2	67-1/2	67-1/2
Height to top of case (in.) B	67-7/8	67-7/8	66-7/8	66-7/8	66-7/8	66-7/8
Case depth without door (in.) C	27-5/8	27-5/8	27-5/8	27-5/8	27-5/8	27-5/8
Case depth less door handle (in.) D	31-5/8	31-5/8	31-5/8	31-5/8	31-5/8	31-5/8
Case depth with door handle (in.) E	33-5/8	33-5/8	33-5/8	33-5/8	33-5/8	33-5/8
Depth with fresh food door open 90° (in.) F	66	66	63	63	63	63
Width (in.) G	35 7/8	35-7/8	32-7/8	32-7/8	32-7/8	32-7/8
Width w/door open 90° less door handle (in.) H	36	36	33	33	33	33
Air clearances Each side (in.)	1/8	1/8	1/8	1/8	1/8	1/8
Top (in.)	1	1	1	1	1	1
Back (in.)	1	1	1	1	1	1
Approx. shipping weight (lbs.)	310	310	260	260	260	260
Power/Ratings	120V, 60Hz, 15Amps					

*Color(s) available: BS = Black case with stainless steel doors, WW = White on white, CC = Bisque on bisque, BB = Black on black.

ALL MODELS AVAILABLE IN U.S. AND CANADA.

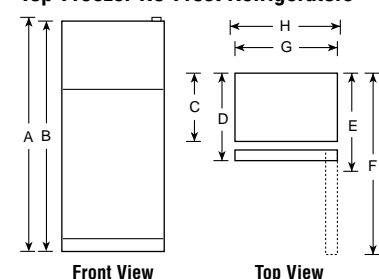


Total volume and shelf area are calculated by the Association of Home Appliance Manufacturers' standards.



Listed by Underwriters Laboratories

Top-Freezer No-Frost Refrigerators



See page 156 for warranty information.

GE Profile CustomStyle™ Top-Freezer Refrigerators

GEAppliances.com

	GE Profile™						
	PTC22MBM	PTC22MFM	PTC22SBM	PTC22SFM	PTI22MBM	PTI22MFM	PTI22SFM
Stainless steel model			●	●			●
Capacity							
Total (cu. ft.)	21.9	21.7	21.9	21.7	21.9	21.7	21.7
Fresh food (cu. ft.)	15.4	15.4	15.4	15.4	15.4	15.4	15.4
Freezer (cu. ft.)	6.5	6.3	6.5	6.3	6.5	6.3	6.3
Shelf area (sq. ft.)	22.4	20	22.4	20	22.4	20	20
Fresh Food Features							
SmartWater™ filtration system		●		●		●	●
LightTouch! dispenser		Crushed Ice, Cubes, Water		Crushed Ice, Cubes, Water		Crushed Ice, Cubes, Water	Crushed Ice, Cubes, Water
Upfront illuminated temperature controls	●	●	●	●	●	●	●
Cabinet shelves	4 Glass	4 Glass	4 Glass	4 Glass	4 Glass	4 Glass	4 Glass
Adjustable	4 Split	4 Split	4 Split	4 Split	4 Split	4 Split	4 Split
Slide-out, spillproof	3	3	3	3	3	3	3
Snugger clip	●	●	●	●	●	●	●
QuickSpace™ shelf	●	●	●	●	●	●	●
Meat pan	Adj. Temp.	Adj. Temp.	Adj. Temp.	Adj. Temp.	Adj. Temp.	Adj. Temp.	Adj. Temp.
Vegetable/fruit crisper(s)	2 Adj. Humid.	2 Adj. Humid.	2 Adj. Humid.	2 Adj. Humid.	2 Adj. Humid.	2 Adj. Humid.	2 Adj. Humid.
Slide-out, spillproof crisper cover	●	●	●	●	●	●	●
ClearLook modular door bins	4 Adj. w/gallon storage	4 Adj. w/gallon storage	4 Adj. w/gallon storage	4 Adj. w/gallon storage	4 Adj. w/gallon storage	4 Adj. w/gallon storage	4 Adj. w/gallon storage
Fixed door bins	1 F/W tall bottle	1 F/W tall bottle	1 F/W tall bottle	1 F/W tall bottle	1 F/W tall bottle	1 F/W tall bottle	1 F/W tall bottle
Slide-out, slide-over pan removal system	●	●	●	●	●	●	●
Dairy compartment	●	●	●	●	●	●	●
Beverage rack	●	●	●	●	●	●	●
Interior light system	Dual	Dual	Dual	Dual	Dual	Dual	Dual
Quiet Design	Deluxe	Deluxe	Deluxe	Deluxe	Deluxe	Deluxe	Deluxe
Automatic moisture control	●	●	●	●	●	●	●
NeverClean condenser	●	●	●	●	●	●	●
ENERGY STAR™	●	●	●	●	●	●	●
Freezer Features							
Factory-installed electronic icemaker & bin	Opt. (IM4A)	●	Opt. (IM4A)	●	Opt. (IM4A)	●	●
Ice 'N Easy trays	3		3		3		
Ice storage bin	●		●		●		
Wire compartment shelf(s)	2 Split (Adj.)	1 (Adj.)	2 Split (Adj.)	1 (Adj.)	2 Split (Adj.)	1 (Adj.)	1 (Adj.)
Door bins	2 Adj./1 F/W fixed	2 fixed (1 w/gallon storage)	2 Adj./1 F/W fixed	2 fixed (1 w/gallon storage)	2 Adj./1 F/W fixed	2 fixed (1 w/gallon storage)	2 fixed (1 w/gallon storage)
Interior light	●	●	●	●	●	●	●
Exterior							
Color(s) available*	WW, BB	WW, CC, BB	BS	BS	WW, BB	WW, BB	BS
CustomStyle configuration	Trimless	Trimless	Trimless	Trimless	Installed Trim	Installed Trim	Installed Trim
Premium door handles*	CM Deluxe	CM Deluxe	Black Deluxe	Black Deluxe	CM Full-Length	CM Full-Length	Stainless Steel Appearance
Choose right or left door opening	●	●	●	●	●	●	●
Reversible doors	●	●	●	●	●	●	●
Exterior design	Rounded Doors	Rounded Doors	Rounded Doors	Rounded Doors	Squared Doors	Squared Doors	Squared Doors
Adjustable rollers	All	All	All	All	All	All	All
Weights & Dimensions							
Height to top of hinge (in.) A	69-7/8	69-7/8	69-7/8	69-7/8	69-7/8	69-7/8	69-7/8
Height to top of case (in.) B	68-3/4	68-3/4	68-3/4	68-3/4	68-3/4	68-3/4	68-3/4
Height to top of door trim (in.)					70-1/2	70-1/2	70-1/2
Case depth without door (in.) C	23-3/4	23-3/4	23-3/4	23-3/4	23-3/4	23-3/4	23-3/4
Depth less door handle (in.) D	26-3/4	26-3/4	26-3/4	26-3/4	26-3/4	26-3/4	26-3/4
Depth with door handle (in.) E	28-5/8	28-5/8	28-5/8	28-5/8	28-3/8	28-3/8	28-5/8
Depth with fresh food door open 90° (in.) F	61	61	61	61	61	61	61
Width (in.) G	35-3/4	35-3/4	35-3/4	35-3/4	35-3/4	35-3/4	35-3/4
Width with door open 90° w/door handle (in.) H	38-1/4	38-1/4	38-1/4	38-1/4	38	38	38
Air clearances Each side (in.)	1/8	1/8	1/8	1/8	1/8	1/8	1/8
Top (in.)	1	1	1	1	1	1	1
Back (in.)	1/2	1/2	1/2	1/2	1/2	1/2	1/2
Approx. shipping weight (lbs.)	300	324	300	324	300	324	360
Power/Ratings	120V, 60Hz, 15Amps						
Accessories							
Black acrylic panels (optional)	N/A	N/A	N/A	N/A	PTPK22CBB	PTPK22DBB	N/A
White acrylic panels (optional)	N/A	N/A	N/A	N/A	PTPK22CWW	PTPK22DWW	N/A
Stainless steel panels (optional)	N/A	N/A	N/A	N/A	PTPK22CSS	PTPK22DSS	N/A
Black collar trim (optional)	N/A	N/A	N/A	N/A	TRMBISBB	TRMBISBB	N/A
White collar trim (optional)	N/A	N/A	N/A	N/A	TRMBISWW	TRMBISWW	N/A
Bisque collar trim (optional)	N/A	N/A	N/A	N/A	N/A	N/A	N/A
Stainless steel collar trim (optional)	N/A	N/A	N/A	N/A	TRMBISSS	TRMBISSS	TRMBISSS

*Color(s) available: BS = Black case with stainless steel doors, WW = White on white, CC = Bisque on bisque, BB = Black on black, CM = Color-Matched.

ALL MODELS AVAILABLE IN U.S. AND CANADA.

See page 156 for warranty information.

Refrigeration

Cooking Products

Microwave Ovens

Dishwashers

Clothes Care

Water Systems

Air Conditioning

GE Profile CustomStyle™ Top-Freezer Installation Information and Specifications

Rough-In Dimensions

Standard, New Construction and Replacement Installation

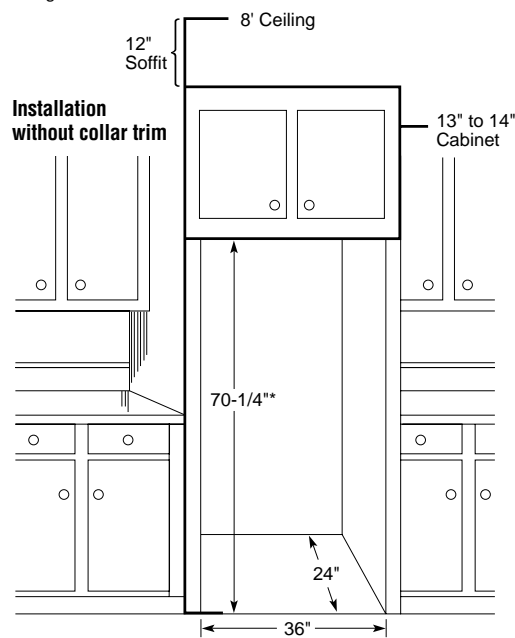
Installation Tips to Maximize the Built-In Look

- All wall/floor molding should be removed prior to installation.
- Water recess on rear wall recommended to prevent water line damage. 48" minimum length, 1/4" diameter water line tubing recommended.
- When possible, recess both copper water line and electrical outlet. (See local codes)
- Front and rear leveling legs are adjustable for the built-in look. (See owner's manual)

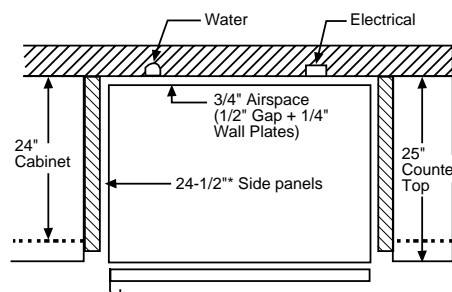
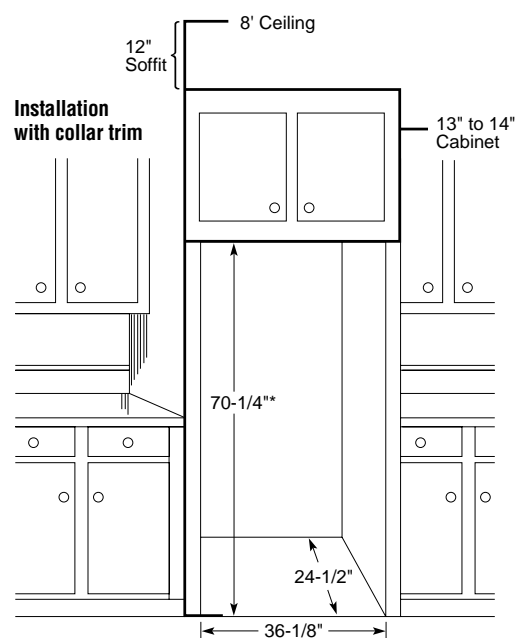
Collar Trim Installation

An enclosure is **required** to match up to the trim, see Typical Installation. To obtain the most integrated look, the cabinet or soffit above the refrigerator should extend out to the same depth as the side panels. The refrigerator opening must have minimum dimensions of 70-1/4" high x 36-1/8" wide x 24-1/2" deep as shown at right. If there is an overhead cabinet, allow 1" for cabinet door clearance with the top trim piece so the cabinet doors can be opened without hitting the top trim. If 1/2" side panels are used, then side trim and panel will be even. If 3/4" side panels are used, then some of the side panel will extend beyond the trim and must be finished.

Rough-In Dimensions



Collar Trim Installation



*The rough-in dimension of 70-1/4" is minimum and is measured from the finished floor to top of opening (or the underside of the overhead cabinets). For Models with Trim Kit: If frameless style cabinets are planned for above the refrigerator, you may need to consider adding a maximum of 1/4" (70-1/2") to height of opening to allow additional clearance between cabinet doors and top of refrigerator trim when cabinet doors are in open position.

For 22 cu. ft. models only.

*22" depth applies to the refrigerator opening, not the actual cabinet depth.

Door Panel Dimensions

Order your own custom wood panels to match cabinetry or other decor.

Fresh Food Panels	Freezer Panel Without Dispenser	Freezer Panel With Dispenser
B-42-1/4"	A-24-1/16"	D-24-1/16"
C-35-3/4"	C-35-3/4"	C-35-3/4"

22 cu. ft. Panels up to 1/4" thick will fit door frame with no special preparation. Add filler behind material thinner than 1/4" for proper fit.

Note: Panels up to 3/4" will require special routing area around handles. Dimensions may vary depending on depth of panel.

Handle Side Clearance

- At least 2-5/8" (67mm) on the handle side for fingertip clearances.

Top and Bottom Clearance

- At least 3/16" (4.75mm) at the top and bottom edges to allow for trim flange.

Hinge Side Clearance

- A 3/4" (19mm) thick door panel may strike the adjacent countertops when the door is fully opened. Therefore, the hinge side clearance to raised panel will vary according to the installation situation.
 - Allow 1-3/4" (44mm) clearance when installation does not include side panels.
 - The installation of 3/4" (19mm) thick side panels requires less clearance because the space between the door and adjacent countertop is wider.

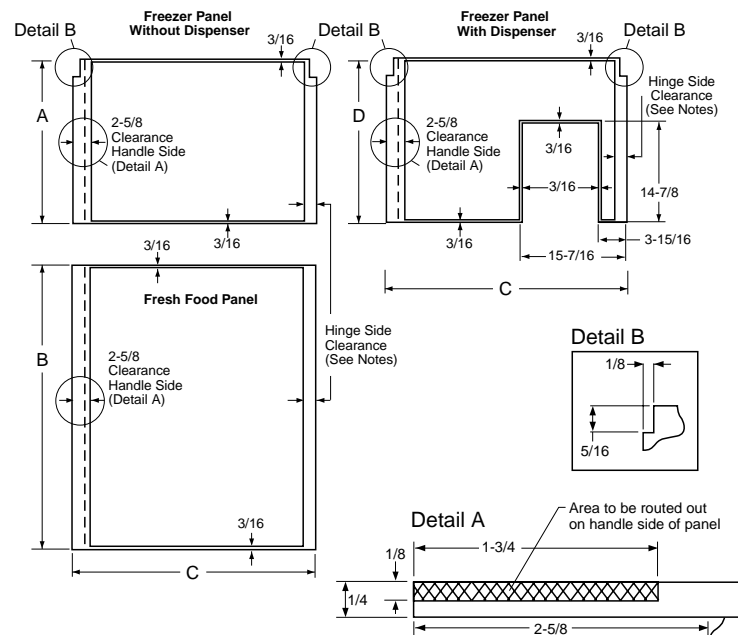
- To avoid door contact to countertop consider:
 - Miter the corner of the adjacent countertops 45°, or
 - Pull the refrigerator forward enough to avoid contact.

Stability Leg

- The top-freezer refrigerator is the first cabinet-depth top-freezer. This means depth is more shallow than conventional models and the width is larger. The stability leg gives the unit extra support.

See page 156 for warranty information.

168



IMPORTANT: Before finalizing specifications for your GE Profile CustomStyle Refrigerator, please NOTE:

- A minimum of 36" is required for refrigerator installation
- Be sure to allow for 1/2" or 3/4" side panels in addition to the 36" minimum

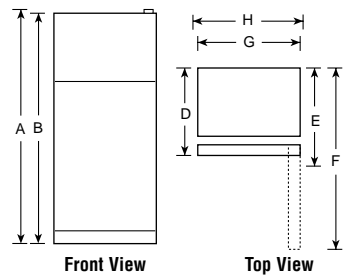
GE® Top-Freezer Refrigerators

GEAppliances.com

	GE "W" Series		GE "K" Series											
	GTS22WCP	GTS18WCP	GTS22KBP	GTS22KCP	GTS22KHP	GTH22SBN	GTH18KBP	GTH18KBP	GTL18KBP	GTS18KCP	GTS18KHP	GTS18SBP	GTS18SHP	GTS16KBM
Capacity														
Total (cu. ft.)	21.7	17.9	21.7	21.7	21.7	21.7	17.9	17.9	17.9	17.9	17.9	17.9	17.9	15.6
Fresh food (cu. ft.)	15.35	12.87	15.35	15.35	15.35	15.35	12.87	12.87	12.87	12.87	12.87	12.87	12.87	11.69
Freezer (cu. ft.)	6.35	4.98	6.35	6.35	6.35	6.35	4.98	4.98	4.98	4.98	4.98	4.98	4.98	3.86
Shelf area (sq. ft.)	24.9	22.0	25.3	24.9	25.3	22.4	22.0	22.4	22.4	22.4	22.4	22.4	22.4	19.6
Fresh Food Features														
Upfront temperature controls	Illuminated	Illuminated	Illuminated	Illuminated	Illuminated	Illuminated	Illuminated	Illuminated	Illuminated	Illuminated	Illuminated	Illuminated	Illuminated	●
Cabinet shelves	4 Glass	4 Glass	4 Glass	4 Glass	4 Glass	4 Glass	4 Glass	4 Glass	4 Glass	4 Glass	4 Glass	4 Glass	4 Glass	4 Glass
Adjustable	4 Split	4 Split	4 Split	4 Split	4 Split	4 Split	4 Split	4 Split	4 Split	4 Split	4 Split	4 Split	4 Split	4 Split
Spillproof	4	4	4	4	4	4	4	4	4	4	4	4	4	4
Internal water dispenser						- / ●								- / ●
GE SmartWater™ filtration						- / ●								- / ●
Vegetable/fruit crisper(s)	2 Adj. Humid.	2 Adj. Humid.	2 Adj. Humid.	2 Adj. Humid.	2 Adj. Humid.	2 Adj. Humid.	2 Adj. Humid.	2 Adj. Humid.	2 Adj. Humid.	2 Adj. Humid.	2 Adj. Humid.	2 Adj. Humid.	2 Adj. Humid.	2
Snack pan	●	●	●	●	●	●	●	●	●	●	●	●	●	●
Pivot-out pan removal system	●	●	●	●	●	●	●	●	●	●	●	●	●	●
Adjustable gallon door bins	3 (Adj.)	3 (Adj.)	3 (Adj.)	3 (Adj.)	3 (Adj.)	3 (Adj.)	3 (Adj.)	3 (Adj.)	3 (Adj.)	3 (Adj.)	3 (Adj.)	3 (Adj.)	3 (Adj.)	
Fixed door bins	1 (Tall Bottle)	1 (Tall Bottle)	1 (Tall Bottle)	1 (Tall Bottle)	1 (Tall Bottle)	1 (Tall Bottle)	1 (Gallon)	1 (Gallon)	1 (Gallon)	1 (Gallon)	1 (Gallon)	1 (Gallon)	1 (Gallon)	2 F/W (1 w/ gallon storage)
Door shelves														2 w/ gallon storage
Dairy compartment	●	●	●	●	●	●	●	●	●	●	●	●	●	●
Interior light system	Dual	Dual	Dual	Dual	Dual	Dual	Dual	Dual	Dual	Dual	Dual	Dual	Dual	Single
Quiet Design	Deluxe	Deluxe	Deluxe	Deluxe	Deluxe	Deluxe	Deluxe	Deluxe	Deluxe	Deluxe	Deluxe	Deluxe	Deluxe	Deluxe
Automatic moisture control	●	●	●	●	●	●	●	●	●	●	●	●	●	●
NeverClean™ condenser	●	●	●	●	●	●	●	●	●	●	●	●	●	●
ENERGY STAR®						● / -								
Freezer Features														
Factory-installed icemaker	●	●	Opt. (IM4A)	●	●	Opt. (IM4A)	●	●	Opt. (IM4A)	●	●	Opt. (IM4A)	●	Opt. (IM4A)
Ice 'N Easy trays			2 / -			2			2			2		2
Ice storage bin	Ice Bucket	Ice Bucket	- / Ice Bucket	Ice Bucket					Ice Bucket					
FrostGuard™ technology	●	●				●								
Spillproof freezer floor	●	●	●	●	●	●	●	●	●	●	●	●	●	●
Wire freezer compartment shelves	1 F/W (2 pos.)	1 F/W (2 pos.)	1 F/W (2 pos.)	1 F/W (2 pos.)	1 F/W (2 pos.)	1 F/W (2 pos.)	Step	Step	Step	Step	Step	Step	Step	Step
Adjustable door bins	1 (Adj.)	2	1 (Adj.)	1 (Adj.)	1 (Adj.)	1 (Adj.)	2	2	2	2	2	2	2	
Fixed door bins	1 Split		1 Split	1 Split	1 Split	1 Split								
Fixed door shelves														2
Interior light	●	●	●	●	●	●	●	●	●	●	●	●	●	●
Exterior														
Color(s) available*	WW, CC, BB	WW, CC	WW, CC, BB	WW, CC, BB	BS	WW, CC, BB	CleanSteel™	WW, CC, BB	WW, CC, BB	CleanSteel	WW, CC, BB	BS	WW, CC	WW, CC
Door handle(s)*	CM	CM	CM	CM	CM	CM	Black	CM / Black	Black	Black	Black	Black	CM	CM
Customer installed handles	●	●	●	●	●	●	●	●	●	●	●	●	●	●
Exterior design	Rounded Doors	Rounded Doors	Rounded Doors	Rounded Doors	Rounded Doors	Rounded Doors	Rounded Doors	Rounded Doors	Rounded Doors	Rounded Doors	Rounded Doors	Rounded Doors	Rounded Doors	Square Doors
Reversible doors	●	●	●	●	●	●	●	●	●	●	●	●	●	●
Adjustable rollers	Front	Front	Front	Front	Front	Front	Front	Front	Front	Front	Front	Front	Front	Front
Weights & Dimensions														
Height to top of hinge (in.) A	67-1/2	66-5/8	67-1/2	67-1/2	67-1/2	67-1/2	66-5/8	66-5/8	66-5/8	66-5/8	66-5/8	66-5/8	66-5/8	64-3/4
Height to top of case (in.) B	66-7/8	66-1/8	66-7/8	66-7/8	66-7/8	66-7/8	66-1/8	66-1/8	66-1/8	66-1/8	66-1/8	66-1/8	66-1/8	64-1/4
Height to mid-freezer (in.) C	54-1/2	53-15/16	54-1/2	54-1/2	54-1/2	54-1/2	53-15/16	53-15/16	53-15/16	53-15/16	53-15/16	53-15/16	53-15/16	54-3/8
Case depth without door (in.) D	27-5/8	27-1/2	27-5/8	27-5/8	27-5/8	27-5/8	27-1/2	27-1/2	27-1/2	27-1/2	27-1/2	27-1/2	27-1/2	25-7/8
Case depth less door handle (in.) E	31-5/8	30-1/4	31-5/8	31-5/8	31-5/8	31-5/8	30-1/4	30-1/4	30-1/4	30-1/4	30-1/4	30-1/4	30-1/4	29-1/8
Case depth with door handle (in.) F	33-5/8	32-1/8	33-5/8	33-5/8	33-5/8	33-5/8	32-1/8	32-1/8	32-1/8	32-1/8	32-1/8	32-1/8	32-1/8	31
Depth w/fresh food door open 90° (in.) G	63	58-1/8	63	63	63	63	58-1/8	58-1/8	58-1/8	58-1/8	58-1/8	58-1/8	58-1/8	54-7/8
Width (in.) H	32-7/8	29-1/2	32-7/8	32-7/8	32-7/8	32-7/8	29-1/2	29-1/2	29-1/2	29-1/2	29-1/2	29-1/2	29-1/2	28
Width w/door open 90° less door handle (in.) I	33	30	33	33	33	33	30	30	30	30	30	30	30	28-5/8
Air clearances Each side (in.)	1/8	1/8	1/8	1/8	1/8	1/8	1/8	1/8	1/8	1/8	1/8	1/8	1/8	3/4
Top (in.)	1	1	1	1	1	1	1	1	1	1	1	1	1	1
Back (in.)	1	1	1	1	1	1	1	1	1	1	1	1	1	1
Approx. shipping weight (lbs.)	260	233	255	260	255	231	231	231	231	231	231	231	231	185
Power/Ratings	120V, 60Hz, 15Amps													

*Color(s) available: BS = Black case with Stainless steel doors, WW = White on white, CC = Bisque on bisque, BB = Black on black, CM = Color-Matched. ALL MODELS AVAILABLE IN U.S. AND CANADA.

Top-Freezer No-Frost Refrigerators



Note: All Top-Freezer No-Frost Right-Hand Refrigerator Doors: As you face the front of the refrigerator, the handle is on your left and the hinges are on your right. All Top-Freezer No-Frost Left-Hand Refrigerator Doors: As you face the front of the refrigerator, the handle is on your right and the hinges are on your left.



Total volume and shelf area are calculated by the Association of Home Appliance Manufacturers' standards.



Listed by Underwriters Laboratories

See page 156 for warranty information.

Refrigeration

Cooking Products

Microwave Ovens

Dishwashers

Clothes Care

Water Systems

Air Conditioning

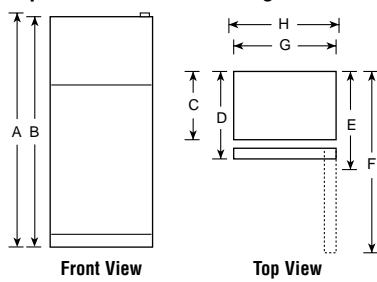
GE® Top-Freezer Refrigerators

	GE "J" Series			GE "I" Series	GE "D" Series	
	GTS22JBP GTS22JCP	GTH18JBP GTS18JBP	GTS18JCP	GTS20IBN GTS20ICN	GTH18DBP GTS18DBP	GTS18DCP
Capacity						
Total (cu. ft.)	21.8	17.9	17.9	20.0	17.9	17.9
Fresh food (cu. ft.)	15.47	12.89	12.89	14.61	12.89	12.89
Freezer (cu. ft.)	6.37	5.03	5.03	5.41	5.03	5.03
Shelf area (sq. ft.)	25.4/25.1	22.6	22.2	24.5	22.6	22.2
Fresh Food Features						
Upfront temperature controls	Illuminated	Illuminated	Illuminated	●	●	●
Cabinet shelves	3 Glass	3 Glass	3 Glass	3 Glass	3 Wire	3 Wire
Adjustable	2 Split, 1 F/W	2 Split, 1 F/W	2 Split, 1 F/W	2 Split, 1 F/W	2 Split, 1 F/W	2 Split, 1 F/W
Spillproof	●	●	●	SpillKeeper™		
Vegetable/fruit crisper(s)	2	2	2	2	2	2
Snack pan	●	●	●	●	●	●
Pivot-out pan removal system	●	●	●			
Fixed door bins	1 F/W w/ gallon storage			2 F/W (1 w/ gallon storage)		
Door shelves	1 w/ gallon storage	1 w/ gallon storage	1 w/ gallon storage	2 Adj. F/W w/ gallon storage	3 w/ gallon storage	3 w/ gallon storage
Dairy compartment	●	●	●	●	●	●
Interior light system	Dual	Dual	Dual	Single	Single	Single
Quiet Design	Deluxe	Deluxe	Deluxe	Deluxe	Deluxe	Deluxe
Automatic moisture control	●	●	●		●	●
NeverClean™ condenser	●	●	●		●	●
ENERGY STAR®		● / -			● / -	
Freezer Features						
Factory-installed icemaker	Opt. (IM4A) / ●	Opt. (IM4A)	●	Opt. (IM4A) / ●	Opt. (IM4A)	●
Ice 'N Easy trays	2 / -	2		1 / -	2	
Ice storage bin	- / Ice Bucket		Ice Bucket			Ice Bucket
Spillproof freezer floor	●	●	●			
Wire freezer compartment shelves	1 F/W (2 pos.)	Step	Step	2 Adj. F/W	1 F/W (2 pos.)	1 F/W (2 pos.)
Fixed door shelves	2 F/W w/ gallon storage	2 Full-width	2 Full-width	2 Fixed	2	2
Exterior						
Color(s) available*	WW, CC	WW, CC	WW, CC	WW, CC	WW, CC WW, CC, BB*	WW, CC
Door handle(s)*	CM	CM	CM	CM	CM	CM
Customer installed handles	●	●	●	●	●	●
Exterior design	Rounded Doors	Rounded Doors	Rounded Doors	Rounded Doors	Rounded Doors	Rounded Doors
Reversible doors	●	●	●	●	●	●
Choose right or left door opening						
Adjustable rollers	Front	Front	Front	Front	Front	Front
Weights & Dimensions						
Height to top of hinge (in.) A	67-1/2	66-5/8	66-5/8	68-1/8	66-5/8	66-5/8
Height to top of case (in.) B	66-7/8	66-1/8	66-1/8	67-1/2	66-1/8	66-1/8
Height to mid-freezer (in.)	54-1/2	53-15/16	53-15/16	56-3/4	53-5/16	53-5/16
Case depth without door (in.) C	27-5/8	27-1/2	27-1/2	27-1/2	27-1/2	27-1/2
Case depth less door handle (in.) D	31-5/8	30-1/4	30-1/4	30-5/8	30-1/4	30-1/4
Case depth with door handle (in.) E	33-5/8	32-1/8	32-1/8	32-3/8	32-1/8	32-1/8
Depth w/fresh food door open 90° (in.) F	63	58-1/8	58-1/8	57-15/16	58-1/8	58-1/8
Width (in.) G	32-7/8	29-1/2	29-1/2	29-1/2	29-1/2	29-1/2
Width w/door open 90° less door handle (in.) H	33	30	30	30-3/4	30	30
Air clearances Each side (in.)	1/8	1/8	1/8	1/8	1/8	1/8
Top (in.)	1	1	1	1	1	1
Back (in.)	1	1	1	1	1	1
Approx. shipping weight (lbs.)	255/260	226	231	227	223	228
Power/Ratings	120V, 60Hz, 15Amps					

*Color(s) available: WW = White on white, CC = Bisque on bisque, CM = Color-Matched.

ALL MODELS AVAILABLE IN U.S. AND CANADA.

Top-Freezer No-Frost Refrigerators



Note: All Top-Freezer No-Frost Right-Hand Refrigerator Doors: As you face the front of the refrigerator, the handle is on your left and the hinges are on your right.
All Top-Freezer No-Frost Left-Hand Refrigerator Doors: As you face the front of the refrigerator, the handle is on your right and the hinges are on your left.



Total volume and shelf area are calculated by the Association of Home Appliance Manufacturers' standards.



Listed by Underwriters Laboratories

See page 156 for warranty information.



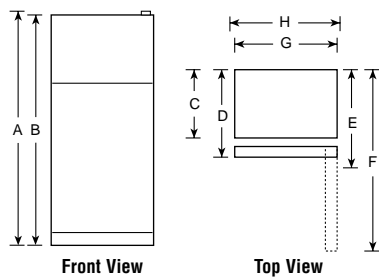
GE Top-Freezer Refrigerators

	GE "B" Series								GE "A" Series
	GTR18BBM	GTS17BBM GTS17BCM	GTR17BBM	GTS16BBM	GTS15BBM GTH15BBM	GTS15BCM	GTR15BBM	GTS12BBP	GTR11AAP
Capacity									
Total (cu. ft.)	17.6	16.9	16.9	15.6	14.6	14.6	14.6	11.7	10.3
Fresh food (cu. ft.)	13.62	13.05	13.05	11.69	10.77	10.77	10.77	8.80	7.95
Freezer (cu. ft.)	4.01	3.86	3.86	3.86	3.86	3.86	3.86	2.90	2.37
Shelf area (sq. ft.)	18.0	17.5/16.7	17.5	17.2	17.2	16.4	17.2	13.6	14.0
Fresh Food Features									
Upfront temperature controls	●	●	●	●	●	●	●	●	●
Cabinet shelves	2 Wire	2 Wire	2 Wire	2 Wire	2 Wire	2 Wire	2 Wire	2 Wire	2 Wire
Adjustable	2 F/W	2 F/W	2 F/W	2 F/W	2 F/W	2 F/W	2 F/W	2 F/W	2 F/W
Vegetable/fruit crisper(s)	2	2	2	2	2	2	2	Divided	1 F/W
Door shelves	2 (Tall Bottle)	2 (Tall Bottle)	2 (Tall Bottle)	2 (Tall Bottle)	2 (Tall Bottle)	2 (Tall Bottle)	2 (Tall Bottle)	(1 Tall Bottle)	4 (1 Tall Bottle)
Dairy compartment	●	●	●	●	●	●	●	●	●
Interior light system	Single	Single	Single	Single	Single	Single	Single	Single	Single
Quiet Design	Deluxe	Deluxe	Deluxe	Deluxe	Deluxe	Deluxe	Deluxe	Deluxe	Deluxe
Automatic moisture control	●	●	●	●	●	●	●	●	●
NeverClean™ condenser	●	●	●	●	●	●	●	●	●
ENERGY STAR®					-/●				●
Freezer Features									
Factory-installed icemaker & bin	Opt. (IM4A)	Opt. (IM4A) / ●	Opt. (IM4A)	Opt. (IM4A)	Opt. (IM4A)	●	Opt. (IM4A)	Opt. (IM4A)	
Ice 'N Easy trays	2	2 / -	2	2	2		2	1	2
Ice storage bin	- / Ice Bucket				Ice Bucket				
Wire freezer compartment shelves									1 F/W
Fixed door shelves	2	2	2	2	2	2	2	2	2
Exterior									
Color(s) available*	WW, CC	WW, CC WW, CC	WW, CC	WW, CC	WW, CC WW, CC	WW, CC	WW, CC	WW, CC	WW
Door handle(s)*	CM Recessed	CM	CM Recessed	CM	CM	CM	CM Recessed	CM	CM Recessed
Exterior design	Square Doors	Square Doors	Square Doors	Square Doors	Square Doors	Square Doors	Square Doors	Rounded Doors	Rounded Doors
Reversible doors	●	●	●	●	●	●	●	●	●
Choose right or left door opening		●	●	●	●	●	●	●	
Adjustable rollers	Front	Front	Front	Front	Front	Front	Front		
Weights & Dimensions									
Height to top of hinge (in.) A	67-3/8	67-3/8	67-3/8	64-1/4	61-3/4	61-3/4	61-3/4	60-5/8	58-3/4
Height to top of case (in.) B	66-7/8	66-7/8	66-7/8	64-3/4	61-1/4	61-1/4	61-1/4	60-1/4	58-1/4
Height to mid-freezer (in.)	57	57	57	54-3/8	51-3/8	51-3/8	51-3/8	51-3/4	50
Case depth without door (in.) C	26-3/4	26-3/4	26-3/4	25-7/8	25-7/8	25-7/8	25-7/8	27-1/2	25
Case depth less door handle (in.) D	30-1/2	30	30	29-1/8	29-1/8	29-1/8	29-1/8	30-1/4	27
Case depth with door handle (in.) E	30-1/2	31-7/8	30	31	31	31	29-1/8	32	27
Depth w/fresh food door open 90° (in.) F	56-3/8	55-3/4	55-3/4	54-7/8	54-7/8	54-7/8	54-7/8	51-5/8	48-3/4
Width (in.) G	28	28	28	28	28	28	28	23-3/8	23-5/8
Width w/door open 90° less door handle (in.) H	28-7/8	28-5/8	28-5/8	28-5/8	28-5/8	28-5/8	28-5/8	24-1/8	24-1/8
Air clearances Each side (in.)	3/4	3/4	3/4	3/4	3/4	3/4	3/4	3/4	1
Top (in.)	1	1	1	1	1	1	1	2	3
Back (in.)	1	1	1	1	1	1	1	3/4	1
Approx. shipping weight (lbs.)	178	179 / 184	178	166	166	171	165	155	158
Power/Ratings	120V, 60Hz, 15Amps								

*Color(s) available: WW = White on white, CC = Bisque on bisque, CM = Color-Matched.

ALL MODELS AVAILABLE IN U.S. AND CANADA.

Top-Freezer No-Frost Refrigerators



Total volume and shelf area are calculated by the Association of Home Appliance Manufacturers' standards.



Listed by Underwriters Laboratories

Note: All Top-Freezer No-Frost Right-Hand Refrigerator Doors: As you face the front of the refrigerator, the handle is on your left and the hinges are on your right. All Top-Freezer No-Frost Left-Hand Refrigerator Doors: As you face the front of the refrigerator, the handle is on your right and the hinges are on your left.

See page 156 for warranty information.



Refrigeration

Cooking Products

Microwave Ovens

Dishwashers

Clothes Care

Water Systems

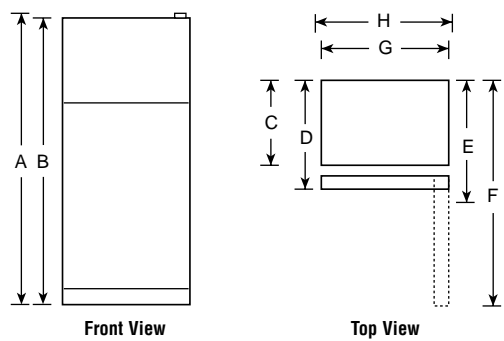
Air Conditioning

GE Cycle and Manual Defrost Refrigerators

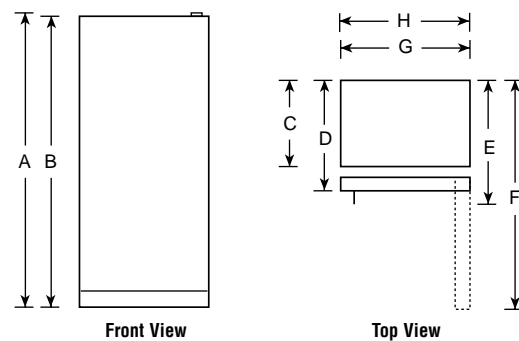
	GE	
	Cycle Defrost	Manual Defrost
	GFR12AAM	GMS10AAM
Capacity		
Total (cu. ft.)	11.7	9.7
Fresh food (cu. ft.)	9.04	8.74
Freezer (cu. ft.)	2.61	.97*
Shelf area (sq. ft.)	13.9	9.88
Features		
Ice 'N Easy trays	2	2
Freezer chiller tray with baffle		●
Cabinet shelves	2 Adj.	2 Adj.
Vegetable/fruit crisper	2	1 F/W
Door shelves	3	5 (2 Egg w/Pockets)
Tall bottle storage on door	●	●
Dairy compartment(s)	1 Full Door Width	1
Freezer compartment shelf(s)	1 F/W	1 F/W
Economical/Quiet		
Cabinet/door insulation	Foam	Foam
Cabinet/door liner	Plastic	Plastic
Appearance		
Color(s) available	White	White
Door handle(s)	White Recessed	Black
Reversible doors	●	●
Right or left door opening		●
Weights & Dimensions		
Height to top of hinge (in.) A	59-1/2	58
Height to top of case (in.) B	59-5/16	57-9/16
Case depth without door (in.) C	26	21-3/8
Case depth with door less handle (in.) D	28	23-1/2
Case depth with door handle (in.) E	28	24-13/16
Depth with door open 90° less door handle (in.) F	50-1/8	44-13/16
Width (in.) G	23-1/2	23
Width w/door open 90° less door handle (in.) H	23-1/2	23-1/2
Air clearances Each side (in.)	1/4	5/8
Top (in.)	1	2
Back (in.)	2	1
Approx. shipping weight (lbs.)	139	135

*Compartment for short-term storage of frozen food. The frozen food compartment of this refrigerator will make ice, and pre-frozen foods can be stored for about **two weeks**. It will not effectively freeze fresh foods or provide long-term storage for meats, poultry, or fish.

Cycle Defrost Two-Door Refrigerator



Manual Defrost Single-Door Refrigerator



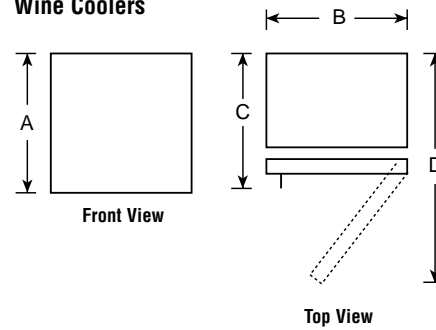
See page 156 for warranty information.



GE Profile™ and GE® Wine Coolers

	GE Profile	GE
	PWR04FANBB PWR04FANBS	GWR03AAM
Capacity		
Total (cu. ft.)	4.5	2.4
Bottle capacity	29	24 Maximum
Features		
Electronic touch controls	●	
Adjustable temperature control (45-65°F)	●	Knob
See-through door		●
Door design	Contoured	Flat
Pull-out and adjustable racks	Chrome w/bowed handles	4
Multiple shelf liner positions	5 full-width, 1 display	
Interior light	●	
Interior light timer (60 min. delay)	●	
Lock	●	
External condenser		●
Appearance		
Color(s) available	Black case and trim Black case and Stainless trim	Black case and trim
Door handle	Recessed	
Free-standing	●	●
Meets California Energy Commission (CEC) requirements	●	●
Cabinet liner color	Black	White
Reversible door	●	
Weights & Dimensions		
Height (in.) A	34 maximum	25-1/4
Width (in.) B	23 maximum	18-5/8
Depth with handle (in.) C	22 maximum	19-3/8
Depth with door open 90° (in.) D	TBD	37-1/4
Air clearances	Each side (in.) 1 maximum Back (in.) 2 maximum	5
Approx. shipping weight (lbs.)	TBD	51

Wine Coolers



Refrigeration

Cooking Products

Microwave Ovens

Dishwashers

Clothes Care

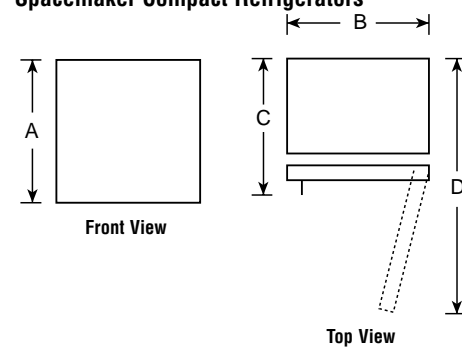
Water Systems

Air Conditioning

GE Spacemaker™ Compact Refrigerators

	GE		
	GMR06AAM	GMR04BAN	GMR02BAN
Capacity			
Total (cu. ft.)	6.0	4.3	1.7
Fresh food (cu. ft.)	5.51	3.89	1.51
Freezer (cu. ft.)	.49**	.42**	.21**
Shelf area (sq. ft.)	8.8	6.0	2.9
Features			
Ice 'N Easy trays	2 Mini	1 Mini	1 Mini
Manual defrost	●	●	●
Cabinet shelves (wire)	2 Adj.	2-1/2 Adj.	1
Can rack	●	●	●
Door shelves	3 F/W	1 F/W, 2 half-width	1 F/W, 1 half-width
Interior light	●		
Economical/Quiet			
Cabinet/door insulation	Foam	Foam	Foam
Cabinet/door liner	HIPS	ABS	ABS
Appearance			
Color(s) available*	WW	WW, BB	WW, BB
Door handles	White Visor	Color-Matched Recessed	Color-Matched Recessed
Rounded doors		●	●
Reversible doors	●		
Weights & Dimensions			
Height (in.) A	34-1/4	33-1/4	18-15/16
Width (in.) B	23-5/8	20-11/16	17-1/2
Depth with handle (in.) C	25-7/8	21-3/4	19-1/4
Depth with door open 90° (in.) D	47-1/2	40-1/4	35-1/2
Air clearances	Each side (in.) 0† Top (in.) 1-1/2 Back (in.) 3/4	1/2 2 2	1/2 2 2
Approx. shipping weight (lbs.)	88	79	51
Accessories			
Custom trim and black panel	TK6 Optional		

Spacemaker Compact Refrigerators



*Color(s) available: WW = White on white, BB = Black on black.
 Compartment for short-term storage of frozen food. The frozen food compartment of this refrigerator will make ice, and pre-frozen foods can be stored for about **two weeks. It will not effectively freeze fresh foods or provide long-term storage for meats, poultry, or fish.
 † If installed against a wall, allow 1-1/4" on hinge side to allow for proper door opening.



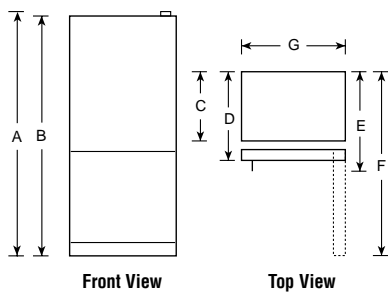
GE Profile™ and GE® Bottom-Freezer Refrigerators

	GE Profile				GE		
	PDS22SBP PDS22SCP	PDS22MBP PDS22MCP	PDS20SBP PDS20SCP	PDS20MBP PDS20MCP	GBS22KBP	GBS22HBP	GBS20KBP
Stainless steel model	●		●				
Capacity							
Total (cu. ft.)	22.2	22.2	19.5	19.5	22.3	22.3	19.5
Fresh food (cu. ft.)	15.21	15.21	13.21	13.21	15.21	15.22	13.21
Freezer (cu. ft.)	7.04	7.04	6.31	6.31	7.05	7.09	6.32
Shelf area (sq. ft.)	27.66	27.66	24.44	24.44	23.99	24.27	21.43
Fresh Food Features							
Cabinet shelves	4 Glass	4 Glass	4 Glass	4 Glass	4 Glass	3 Glass	4 Glass
Adjustable	4 Split	4 Split	4 Split	4 Split	4 Split	2 Split, 1 F/W	4 Split
Slide-out	2	2	2	2			
Spillproof	4	4	4	4	4		4
QuickSpace shelf	●	●	●	●			
ShelfSaver™ rack	●	●	●	●			
Vegetable/fruit crisper(s)	2 Adj. Humid.	2 Adj. Humid.	2 Adj. Humid.	2 Adj. Humid.	2 Adj. Humid.	2 Clear	2 Adj. Humid.
Snack pan	Clear	Clear	Clear	Clear	Clear	Clear	Clear
ClearLook™ adjustable bins	4	4	4	4	4 opaque		4 opaque
Snugger™ clip	●	●	●	●			
Fixed door bins	1 F/W w/gal. storage	1 F/W w/gal. storage	1 F/W w/gal. storage	1 F/W w/gal. storage	1 F/W w/gal. storage	2 F/W (1 w/gal. storage)	1 F/W w/gal. storage
Dairy compartment	●	●	●	●	●	●	●
Interior light	Dual	Dual	Dual	Dual	Dual	●	Dual
Quiet Design	Deluxe	Deluxe	Deluxe	Deluxe	Deluxe	Deluxe	Deluxe
Automatic moisture control	●	●	●	●	●	●	●
NeverClean™ condenser	●	●	●	●	●	●	●
ENERGY STAR®	●	●	●	●	●	●	●
Freezer Features							
Factory-installed electronic icemaker & bin	Opt. (IM4A)	Opt. (IM4A)	Opt. (IM4A)	Opt. (IM4A)	IM4A	Opt. (IM4A)	IM4A
GE SmartWater™ filtration	- / ●	- / ●	- / ●	- / ●			
Ice 'N Easy trays	2	2	2	2	2	2	2
Ice tray shelf	●	●	●	●	●	●	●
Ice storage bin	●	●	●	●	●	●	●
Full slide-out wire basket(s)	2 F/W/1 Split	2 F/W/1 Split	1 F/W, 2 Split	1 F/W, 2 Split	1 F/W	1 F/W	1 F/W
Wire compartment shelves					1 F/W	2 Split	1 F/W
Door shelves					1 F/W		1 F/W
Interior light	●	●	●	●	●	●	●
Exterior							
Color(s) available*	SS	WW, CC, BB	BS	WW, CC, BB	WW, CC	WW, CC, BB	WW, CC
Door handle(s)	Stainless	Color-Matched	Color-Matched	Color-Matched	Color-Matched	Color-Matched	Color-Matched
Exterior design	Contoured Doors	Contoured Doors	Rounded Doors	Rounded Doors	Rounded Doors	Contoured Doors	Rounded Doors
Door stops	●	●	●	●	●	●	●
Reversible doors	●	●	●	●	●	●	●
Choose left or right door opening			●				
Adjustable rollers	Front	Front	Front	Front	Front	Front	Front
Weights & Dimensions							
Height to top of hinge (in.) A	68-5/8	68-5/8	68	68	68-5/8	68-5/8	68
Height to top of case (in.) B	67-7/8	67-7/8	67-1/4	67-1/4	67-7/8	67-7/8	67-1/4
Case depth without door (in.) C	28-1/4	28-1/4	28-1/4	28-1/4	28-1/4	28-1/4	28-1/4
Depth less door handle (in.) D	31-3/4	31-3/4	31-3/4	31-3/4	31-3/4	31-3/4	31-3/4
Depth with door handle (in.) E	33-7/8	33-7/8	33-7/8	33-7/8	34-1/8	34-1/8	34-1/8
Depth w/door open 90° (in.) F	62	62	59	59	62	62	59
Width (in.) G	32-7/8	32-7/8	29-7/8	29-7/8	32-7/8	32-7/8	29-7/8
Side clearance for 90° door open	1-1/4	1-1/4	2-3/8	2-3/8	1-1/4	1-1/4	2-3/8
Air clearances Each side (in.)	1/8	1/8	1/8	1/8	1/8	1/8	1/8
Top (in.)	1	1	1	1	1	1	1
Back (in.)	1	1	1	1	1	1	1
Approx. shipping weight (lbs.)	287	287	265	265	287	287	265
Power/Ratings	120V, 60Hz, 15Amps						

*Color(s) available: SS = Stainless steel, BS = Black case with stainless steel doors, WW = White on white, CC = Bisque on bisque, BB = Black on black.

ALL MODELS AVAILABLE IN U.S. AND CANADA.

Bottom-Freezer Refrigerators



Total volume and shelf area are calculated by the Association of Home Appliance Manufacturers' standards.



Listed by Underwriters Laboratories

See page 156 for warranty information.

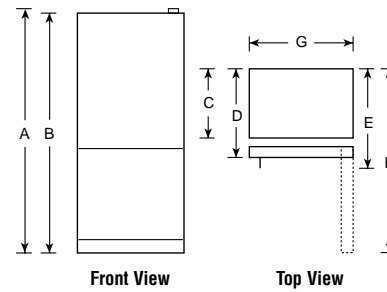
GE Bottom-Freezer Refrigerators

GEAppliances.com

	GE			
	GDS18SBP	GDS18LBP	GBS18KBP	GBS18HBP
Stainless steel model	●			
Capacity				
Total (cu. ft.)	18.1	18.1	18.1	18.1
Fresh food (cu. ft.)	13.44	13.44	13.44	13.44
Freezer (cu. ft.)	4.64	4.64	4.64	4.64
Shelf area (sq. ft.)	21.0	21.0	22.2	22.2
Fresh Food Features				
Brita® Filtered Water Door Module	●	●		
Cabinet shelves	4 Glass	4 Glass	4 Glass	3 Glass
Adjustable	4 Split	4 Split	4 Split	2 Split, 1 F/W
Slide-out	2	2		
Spillproof	4	4	4	
ShelfSaver™ rack	●	●		
Vegetable/fruit crisper(s)	2 Adj. Humid.	2 Adj. Humid.	2 Adj. Humid.	2 Clear
Snack pan	Clear	Clear	Clear	Clear
Adjustable gallon door bins	3	3		
Snuggler™ clip	●	●		
Fixed door bins	1 F/W w/gal. storage	1 F/W w/gal. storage	1 F/W w/gal. storage	2 F/W (1 w/gal. storage)
Dairy compartment	●	●	●	●
Interior light	Dual	Dual	Dual	●
Quiet Design	Deluxe	Deluxe	Deluxe	Deluxe
Automatic moisture control	●	●	●	●
NeverClean™ condenser	●	●	●	●
ENERGY STAR®	●	●	●	●
Freezer Features				
Factory-installed electronic icemaker & bin	Opt. (IM4A)	Opt. (IM4A)	Opt. (IM4A)	Opt. (IM4A)
Ice N Easy trays	2	2	2	2
Ice storage bin	●	●	●	●
Full slide-out wire basket(s)	1 F/W, 2 Split	1 F/W, 2 Split	1 F/W	1 F/W
Wire compartment shelves			1 F/W	1 F/W
Interior light	●	●	●	●
Exterior				
Color(s) available*	SS	WW, CC, BB	WW, CC	WW, CC, BB
Door handle(s)	Color-Matched	Color-Matched	Color-Matched	Color-Matched
Customer-installed handles		●		
Exterior design	Rounded Doors	Rounded Doors	Rounded Doors	Rounded Doors
Door stops	●	●	●	●
Reversible doors		●	●	●
Choose left or right door opening	●			
Adjustable rollers	Front	Front	Front	Front
Weights & Dimensions				
Height to top of hinge (in.) A	66-1/4	66-1/4	66-1/4	66-1/4
Height to top of case (in.) B	65-3/4	65-3/4	65-3/4	65-3/4
Case depth without door (in.) C	25-1/4	25-1/4	25-1/4	25-1/4
Depth less door handle (in.) D	28	28	28	28
Depth with door handle (in.) E	30-3/8	30-3/8	30-3/8	30-3/8
Depth w/door open 90° (in.) F	57-3/4	57-3/4	57-3/4	57-3/4
Width (in.) G	31	31	31	31
Side clearance for 90° door open	2-3/8	2-3/8	2-3/8	1-3/8
Air clearances Each side (in.)	0	0	0	0
Top (in.)	1	1	1	1
Back (in.)	1/2	1/2	1/2	1/2
Approx. shipping weight (lbs.)	257	257	257	262
Power/Ratings	120V, 60Hz, 15Amps			

*Color(s) available: SS = Black case with stainless steel doors, WW = White on white, CC = Bisque on bisque, BB = Black on black.
ALL MODELS AVAILABLE IN U.S. AND CANADA.

Bottom-Freezer Refrigerators



Total volume and shelf area are calculated by the Association of Home Appliance Manufacturers' standards.



Listed by Underwriters Laboratories

See page 156 for warranty information.

Refrigeration

Cooking Products

Microwave Ovens

Dishwashers

Clothes Care

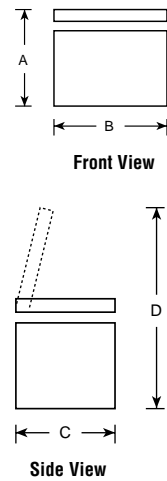
Water Systems

Air Conditioning

GE Chest Freezers

	GE							
	FCM25RM	FCM20DM	FCM15DM	FCM15SM	FCM9DM	FCM7DN	FCM5DM	FCM5SM
Capacity								
Total volume (cu. ft.)	25.1	19.7	14.8	14.8	8.8	7.0	5.0	5.0
Features								
Manual defrost	●	●	●	●	●	●	●	●
Temperature control	Adj.	Adj.	Adj.	Adj.	Adj.	Adj.	Adj.	Adj.
Power "ON" light	●	●	●	●	●	●	●	●
Wraparound condenser	●	●	●	●	●	●	●	●
Wraparound evaporator	●	●	●	●	●	●	●	●
Limited food loss warranty*	●	●	●	●	●	●	●	●
Upfront defrost water drain	●	●	●	●	●	●	●	●
Interior light	●	●	●	●	●	●	●	●
Lock	●	●	●	●	●	●	●	●
Lift-out and sliding bulk storage basket(s)	4	3	2	1	2	2	2	1
Economical/Quiet								
Insulation (cabinet and lid)—Foam	●	●	●	●	●	●	●	●
Cabinet liner	Steel Epoxy-Coated	Steel Epoxy-Coated	Steel Epoxy-Coated	Steel Epoxy-Coated	Steel Epoxy-Coated	Textured Aluminum	Textured Aluminum	Textured Aluminum
Appearance								
Color available	White	White	White	White	White	White	White	White
Handle	●	●	●	Recessed	●	Recessed	Recessed	Recessed
Textured steel case and lid	●	●	●	●	●	●	●	●
Weights & Dimensions								
Height (in.) A	35	35	35	35	34-1/4	33-1/8	33	33
Width (in.) B	73-7/8	61-1/4	48	48	41	38	29-1/8	29-1/8
Depth (in.) C	28-3/4	29-1/2	29-1/2	29-1/2	23-1/4	22-3/8	22-3/16	22-3/16
Height with lid open (in.) D	59-3/4	60-3/4	60-3/4	60-3/4	54-1/4	53-1/4	53-3/16	53-3/16
Air clearances	Each side (in.)	3	3	3	3	3	3	3
Back (in.)	3	3	3	3	3	3	3	3
Approx. shipping weight (lbs.)	245	195	161	161	127	126	101	101

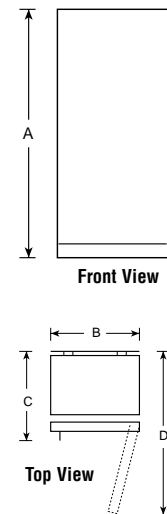
*See written warranty for complete details.



GE Upright Freezers

	GE							
	Frost-Free			Manual Defrost				
	FUF20DM	FUF17DM	FUF14DM	FUM21DM	FUM17DM	FUM14DM	FUM14SM	FUM5SM
Capacity								
Total volume (cu. ft.)	20.3	16.7	13.7	20.6	17.1	14.1	14.1	5.0
Shelf area (sq. ft.)	23.9	18.4	14.3	25.3	19.1	17.9	15.0	6.0
Features								
Temperature control	Adj.	Adj.	Adj.	Adj.	Adj.	Adj.	Adj.	Adj.
Limited food loss warranty*	●	●	●	●	●	●	●	●
Door shelves (total)	6	5	5	6	5	5	5	3
Defrost water drain	●	●	●	●	●	●	●	●
Interior light	●	●	●	●	●	●	●	●
Lock	●	●	●	●	●	●	●	●
Cabinet shelves (total)	5 (3 Adj.)	4 (3 Adj.)	3 (2 Adj.)	5 (1 Adj.)	4 (1 Adj.)	4 (1 Adj.)	3	2
Slide-out bulk storage basket	1	1	1	1	1	1	1	1
Economical/Quiet								
Defrost	Frost-Free	Frost-Free	Frost-Free	Manual	Manual	Manual	Manual	Manual
Magnetic door gasket	●	●	●	●	●	●	●	●
Cabinet liner	Baked enamel-on-steel	Baked enamel-on-steel	Baked enamel-on-steel	Baked enamel-on-steel	Baked enamel-on-steel	Baked enamel-on-steel	Baked enamel-on-steel	Polystyrene
Wraparound condenser	●	●	●	●	●	●	●	●
Appearance								
Color available	White	White	White	White	White	White	White	White
Door handle	●	●	●	●	●	●	Recessed	Recessed
Textured steel case/door	●	●	●	●	●	●	●	●
Weights & Dimensions								
Height (in.) A	70	64-1/2	59	70	64-1/2	59	59	33-1/2
Width (in.) B	32	32	28	32	32	28	28	21-3/8
Depth (in.) C	28-1/2	26-1/2	28-1/2	28-1/2	26-1/2	28-1/2	28-1/2	26-1/8
Depth with door open 90° (in.) D	59-1/8	57-1/8	55-1/8	59-1/8	57-1/8	55-1/8	55-1/8	45-3/4
Air clearances	Each side (in.)	3	3	3	3	3	3	1
Top (in.)	3	3	3	3	3	3	3	4
Back (in.)	3	3	3	3	3	3	3	4
Approx. shipping weight (lbs.)	235	213	186	224	200	177	177	80

*See written warranty for complete details.





Create a Custom Look for Your GE Refrigerator

Decide from a choice of GE optional Panels and Trim to create a distinctive appearance for your new refrigerator. Precut panels in Stainless steel, Black, White or Bisque provide an exciting way to express your individual taste and preference, while complementing your kitchen.

GE Profile CustomStyle™ Side-By-Side Refrigerators Acrylic and Stainless Steel Panels

Model No.	Black Acrylic Panels	White Acrylic Panels	Bisque Acrylic Panels	Stainless Steel Panels
PSI23NCN	PSPK23CBB	PSPK23CWW	PSPK23CCC	—
PSI23MGN	PSPK23DBB	PSPK23DWW	PSPK23DCC	PSPK23DSS
PSI23NGN	PSPK23DBB	PSPK23DWW	PSPK23DCC	PSPK23DSS

Collar Trim

Model No.	Black Collar Trim	White Collar Trim	Bisque Collar Trim	Stainless Steel Collar Trim
PSI23NCN	TRMBISBB	TRMBISWW	TRMBISCC	TRMBISSS
PSI23SCN	TRMBISBB	TRMBISWW	TRMBISCC	TRMBISSS
PSI23MGN	TRMBISBB	TRMBISWW	TRMBISCC	TRMBISSS
PSI23NGN	TRMBISBB	TRMBISWW	TRMBISCC	TRMBISSS
PSI23SGN	TRMBISBB	TRMBISWW	TRMBISCC	TRMBISSS

GE Profile CustomStyle Top-Freezer No-Frost Refrigerators Acrylic Panels and Trim

Model No.	Black Acrylic Panels	White Acrylic Panels	Stainless Steel Panels	Black Collar Trim	White Collar Trim	Stainless Steel Collar Trim
PTI22MBM	PTPK22CBB	PTPK22CWW	PTPK22CSS	TRMBISBB	TRMBISWW	TRMBISSS
PTI22MFM	PTPK22DBB	PTPK22DWW	PTPK22DSS	TRMBISBB	TRMBISWW	TRMBISSS

GE Spacemaker™ Compact Refrigerator

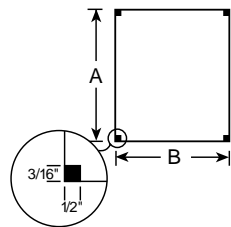
TK6 Trim

- Panel is black painted aluminum
- Trim is black plastic that covers entire side of door
- 1/4" wood can also be used with the trim

Order your own custom door panel to match cabinetry or other decor.
 —Maximum panel thickness 1/4"
 —Minimum panel thickness 1/8"
 Notch all four corners of panel

Custom Trim

Model No.	Black Trim No.	Custom Panel Insert Cut-Out Dimensions (Inches)	
		A	B
GMR06AAM	TK6	29	22-3/4

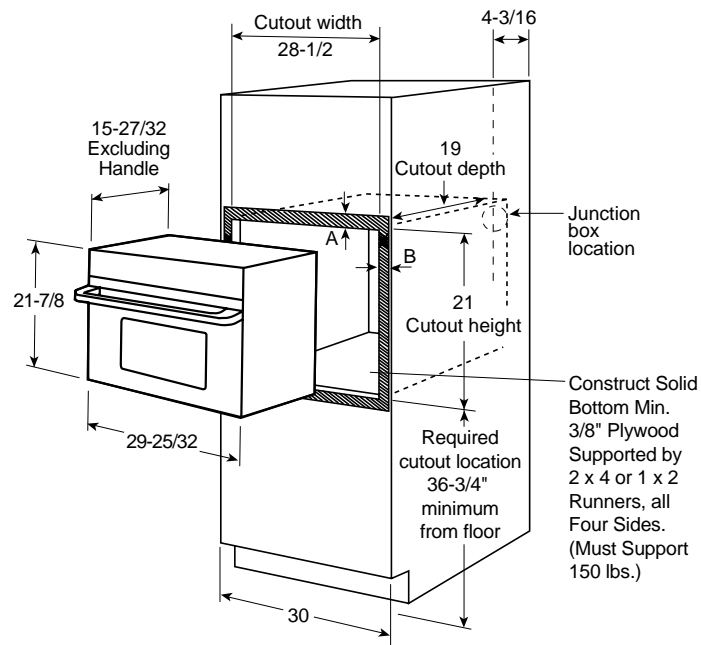


Advantium® Wall Ovens

	GE Profile™
	SCB2001FSS SCB2000FWW SCB2000FCC SCB2000FBB
Features	
Stainless steel oven interior	•
Family size oven	•
Oven controls:	
Electronic scrolling display	•
Over 100 preprogrammed menu items	•
Repeat last	•
Help mode	•
Demo mode	•
Interior oven light	•
Beeper sound level control	•
Variable scroll speed	•
Custom recipe saver	•
Cooking complete reminder	•
Child lockout	•
Frameless glass oven door with window	•
Microwave oven features:	
Sensor	•
Defrost - Auto/Time	•
Microwave power output watts	950
Appearance	
Color appearance	Stainless steel White on white Bisque on bisque Black on black
New Profile sculptured handle	•
Weights & Dimensions	
Overall oven interior dimensions (in inches)	
Height	8-13/32
Width	18-29/32
Depth	13-19/32
Overall dimensions (in inches)	
Exterior height	21-7/8
Exterior width	29-25/32
Exterior depth (not including handle)	15-27/32
Oven cabinet width required (in inches)	
Cutout height	21
Cutout width	28-1/2
Cutout depth	19
Approx. shipping weight (lbs.)	101
Power/Ratings	
Amps @ 240V/208V	30
Accessories	
Cookbook	•
Cooking guide	•
Grill tray	•
Cooking tray	•
White ceramic tray	•
Warranty	
Full one-year in-home warranty*	•
Full ten-year lamp warranty*	•
Limited nine-year magnetron warranty*	•

*See written warranty for details.

Advantium Wall Oven Dimensions and Cabinet Installation (in inches)



A=Allow 1" overlap of oven over top and bottom edges of cutout.
B=Allow 11/16"-3/4" for overlap of oven over side edges of cutout.

Note: Cabinets installed adjacent to wall ovens must have an adhesion spec of at least 194° F temperature rating.

Most 30" Wall Cabinets can be used with this unit.

Note: 2" minimum between cutouts when installed above warming drawer or single wall oven.

Wall oven trim kits
SC20WW-White
SC20CC-Bisque
SC20BB-Black

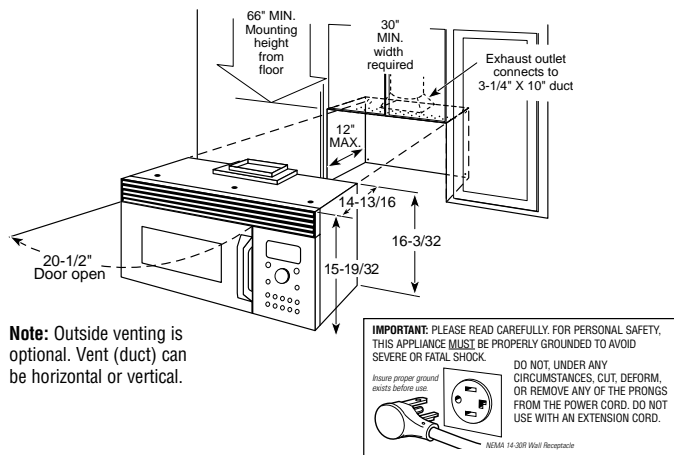
See page 156 for warranty information.

Advantium Above-the-Cooktop Ovens

	GE Profile
	SCA2001FSS SCA2000FWW SCA2000FCC SCA2000FBB
Features	
Stainless steel oven interior	•
Family size oven	•
Oven controls:	
Electronic scrolling display	•
Over 100 preprogrammed menu items	•
Repeat last	•
Help mode	•
Demo mode	•
Interior oven light	•
Beeper sound level control	•
Variable scroll speed	•
Custom recipe saver	•
Cooking complete reminder	•
Child lockout	•
Two-speed high-capacity exhaust fan	•
Full-view cooktop lighting	•
Programmable night light	•
Frameless glass oven door with window	•
Microwave oven features:	
Sensor	•
Defrost - Auto/Time	•
Microwave power output watts	950
Appearance	
Color appearance	Stainless steel White on white Bisque on bisque Black on black
New Profile sculptured handle	•
Weights & Dimensions	
Overall oven interior dimensions (in inches)	
Height	8-13/32
Width	18-29/32
Depth	13-19/32
Overall dimensions (in inches)	
Exterior height (front)	15-19/32
Exterior height (rear)	16-3/32
Exterior width	29-7/8
Exterior depth (not including handle)	14-13/16
Approx. shipping weight (lbs.)	101
Power/Ratings	
Amps @ 240V/208V	30
Accessories	
Cookbook	•
Cooking guide	•
Grill tray	•
Cooking tray	•
White ceramic tray	•
Recirculating charcoal filter kit (optional)	JX81A
Warranty	
Full one-year in-home warranty*	•
Full ten-year lamp warranty*	•
Limited nine-year magnetron warranty*	•

Filler panel kits
 JX40WH—White
 JX40CT—Bisque
 JX41—Black
Decorative panel kit
 JX22SS—Stainless steel

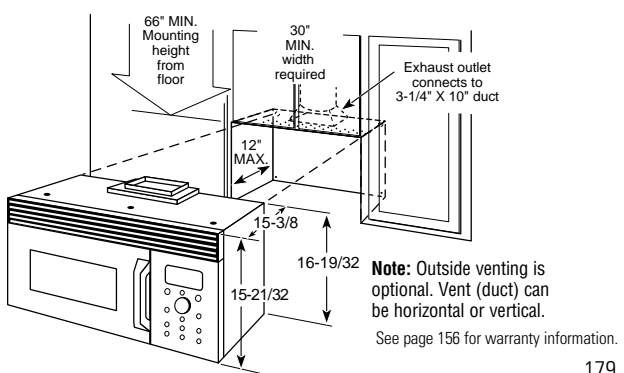
Advantium Above-the-Cooktop Oven Dimensions (in inches)



Advantium 120 Above-the-Cooktop Ovens

	GE Profile
	SCA1001FSS SCA1000DWW SCA1000DCC SCA1000DBB
Features	
Stainless steel oven interior	•
Family size oven	•
Cooking modes:	
Speedcook	•
Traditional oven	•
Microwave oven	•
Warming	•
E-Z installation	•
Oven controls:	
Electronic scrolling display	•
Over 100 preprogrammed menu items	•
Repeat last	•
Help mode	•
Demo mode	•
Interior oven light	•
Beeper sound level control	•
Variable scroll speed	•
Custom recipe saver	•
Cooking complete reminder	•
Child lockout	•
Two-speed high-capacity exhaust fan	•
Intake air/grease filter	•
Full-view cooktop lighting	•
Programmable night light	•
Frameless glass oven door with window	•
Microwave oven features:	
Sensor	•
Defrost - Auto/Time	•
Microwave power output watts	900
Appearance	
Color appearance	Stainless steel White on white Bisque on bisque Black on black
Weights & Dimensions	
Overall oven interior dimensions (in inches)	
Height	8-7/32
Width	21-3/32
Depth	14-3/32
Overall dimensions (in inches)	
Exterior height (front)	15-21/32
Exterior height (rear)	16-19/32
Exterior width	29-7/8
Exterior depth (not including handle)	15-3/8
Approx. shipping weight (lbs.)	95
Power/Ratings	
Input volt/hertz	120/60
Input amps/watts (max)	15/1800
Accessories	
Cookbook	•
Cooking guide	•
Cooking tray	•
Recirculating charcoal filter kit (optional)	JX81A
Warranty	
Full one-year in-home warranty*	•
Full three-year lamp warranty*	•
Limited ten-year magnetron warranty*	•

Advantium 120 Above-the-Cooktop Oven Dimensions (in inches)



GEAppliances.com

Refrigeration

Cooking Products

Microwave Ovens

Dishwashers

Clothes Care

Water Systems

Air Conditioning

30" Built-In Double Ovens

	GE Profile™		GE®		GE Profile	GE	
	Convection Double Ovens		Double Ovens		Microwave Double Ovens		
	JT955SF JT955WF JT955CF JT955BF	JT952SF JT952WF JT952CF JT952BF	JTP48SF JTP48WF JTP48CF JTP48BF	JTP28SF JTP28WF JTP28CF JTP28BF	JT965SF JT965WF JT965CF JT965BF	JTP86SF JTP86WF JTP86CF JTP86BF	
Features							
Oven	Upper Lower	Convection/Self-Clean Thermal/Self-Clean	Convection/Self-Clean Thermal/Self-Clean	Self-Clean Self-Clean	Self-Clean Standard	Microwave Convection/Self-Clean	Microwave Self-Clean
Cleaning time		Variable	Variable	Variable	Variable (upper)	Variable (lower)	Variable (lower)
Automatic self-clean oven door lock		•	•	•	Upper	Lower	Lower
Self-clean oven w/Delay Clean option		•	•	•	Upper	Lower	Lower
Light self-clean option		•	•	•	Upper		
TrueTemp™ System		•	•	•	Upper	Lower	Lower
CleanDesign™ oven/hidden bake element		•	•		Lower	Lower	
Variable broil/Six-pass broil element		•	•	•	•	Lower	Lower
Eight-pass bake element		•	•			Lower	
Precise Air™ Convection System		Upper	Upper				
Convection bake		Multi/Single-rack Upper	Upper			Lower	
Convection roast		Upper	Upper			Lower	
Auto Recipe™ Conversion		Upper	Upper				
SmartSet controls		Glass Touch	•	•	Upper	•	•
Proof Mode		Upper					
Oven meat probe		Upper	Upper			Lower	
Warm Mode		Upper					
Optional closed door broiling		•	•	•	•	Lower	Lower
Temperature display		•	•	•	Upper	Lower	Lower
Delay Bake Option		•	•	•	Upper	Lower	Lower
C° and F° programmable		•	•	•	Upper	Lower	Lower
Audible preheat signal		•	•	•	Upper	Lower	Lower
Auto oven shut-off w/override		•	•	•	Upper	Lower	Lower
Electronic clock and kitchen timer		•	•	•	Upper	Lower	•
Control lock capability		•	•	•	Upper	Lower	Lower
Oven light		Halogen	•	•	•	Halogen (lower)	Lower
Certified Sabbath Mode		•	•	•	Upper		
Microwave Oven Features:							
Microwave cooking timer						99-Min./99-Sec.	99-Min./99-Sec.
Microwave power levels						10	10
Sensor functions						6	3
Electronic MWO touch controls						•	•
Microwave oven cavity (cu. ft.)						1.6	1.6
MWO power output watts						1000	1000
Turntable						•	•
Oven racks	Upper Lower	3 Heavy-duty 2 Heavy-duty	3 Heavy-duty 2 Heavy-duty	2 2	2 2	3 Heavy-duty	2
Embossed rack positions		7 Upper/6 Lower	7 Upper/6 Lower	6 Upper/6 Lower	6 Upper/6 Lower	7 Lower	6 Lower
Roasting rack		Upper				Lower	
Broiler pan with grid		Upper	Upper	Upper	Upper	Lower	Lower
Appearance							
Color appearance*		SS WW CC BB	SS WW CC BB	SS WW CC BB	SS WW CC BB	SS WW CC BB	SS WW CC BB
Frameless oven doors		Stainless Steel White Glass Bisque Glass Black Glass	Stainless Steel White Glass Bisque Glass Black Glass	Stainless Steel White Glass Bisque Glass Black Glass	Stainless Steel White Glass Bisque Glass Black Glass	Stainless Steel White Glass Bisque Glass Black Glass	Stainless Steel White Glass Bisque Glass Black Glass
Big ClearView™ windows		•	•	•	•	Lower	Lower
Oven door handles		Sculptured Stainless-look Sculptured White Sculptured Bisque Sculptured Black	Sculptured Stainless-look Sculptured White Sculptured Bisque Sculptured Black	Black White Bisque Black	Black White Bisque Black	Sculptured Stainless-look Sculptured White Sculptured Bisque Sculptured Black	Black White Bisque Black
Flush appearance installation		•	•	•	•	•	•
Convection cookbook		•	•			•	
Weights & Dimensions							
Approx. shipping wt. (lbs.)		260	260	260	260	177	177
Oven cabinet width required (in.)		30	30	30	30	30	30
Overall dimensions (WxHxD in inches)		29-3/4 x 52-7/8 x 23-1/2	29-3/4 x 52-7/8 x 23-1/2	29-3/4 x 52-7/8 x 23-1/2	29-3/4 x 52-7/8 x 23-1/2	29-3/4 x 43-1/4 x 23-1/2	29-3/4 x 43-1/4 x 23-1/2
Overall oven interior dimensions (WxHxD in inches)	Upper Lower	24 x 16-1/4 x 18-1/4 24 x 16-1/4 x 18-1/4	24 x 16-1/4 x 18-1/4 24 x 16-1/4 x 18-1/4	24 x 17-1/2 x 18-1/4 24 x 17-1/2 x 18-1/4	24 x 17-1/2 x 18-1/4 24 x 17-1/2 x 18-1/4	16-1/4 x 9-5/8 x 15-3/4 24 x 16-1/4 x 18-1/4	16-1/4 x 9-5/8 x 15-3/4 24 x 17-1/2 x 18-1/4
Power/Ratings							
KW rating @ 240V		7.2	7.2	7.2	8.8	6.6	6.6
208V		5.4	5.4	5.4	6.6	5.3	5.3
Amps @ 240V		40	40	40	40	30	30
208V		30	30	30	30	30	30
Convection wattage		2500	2500			2500	
Broiler/bake wattage		3600/2700	3600/2700	3600/3410	3600/3410	3600/2700	3600/3410

*SS = Stainless steel, WW = White on white, CC = Bisque on bisque, BB = Black on black.

See page 156 for warranty information.

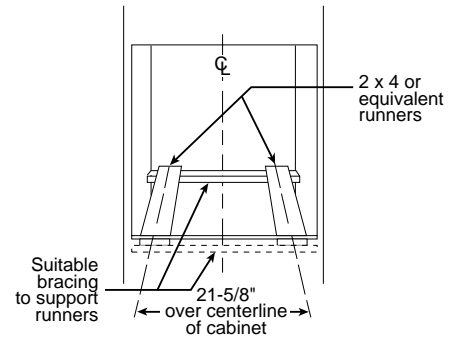
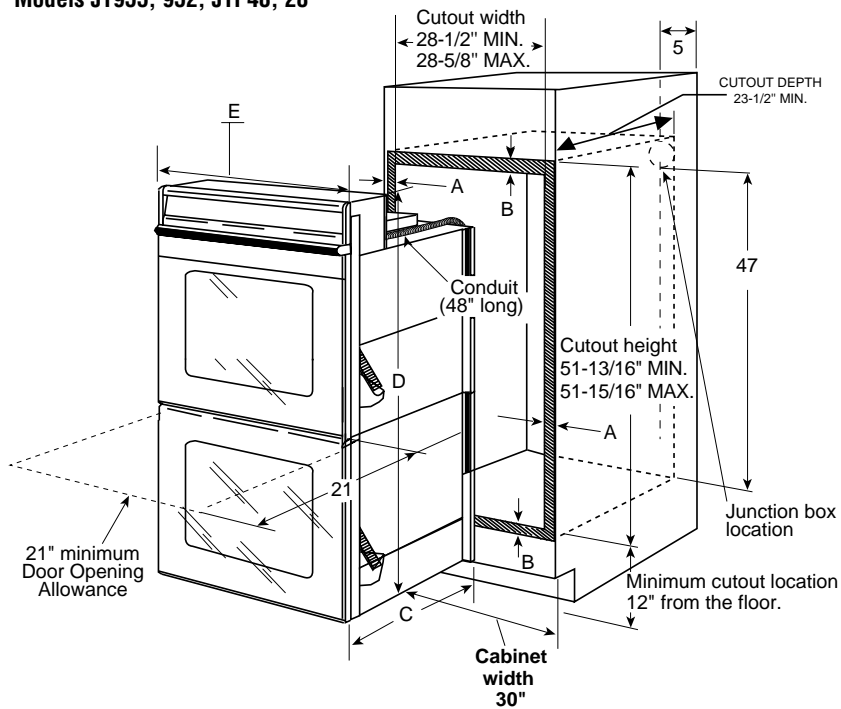
180





30" Built-In Double Ovens (continued)

30" Built-In Double Oven Dimensions (in inches)
Models JT955, 952, JTP48, 28



(Must support 275 lbs.)

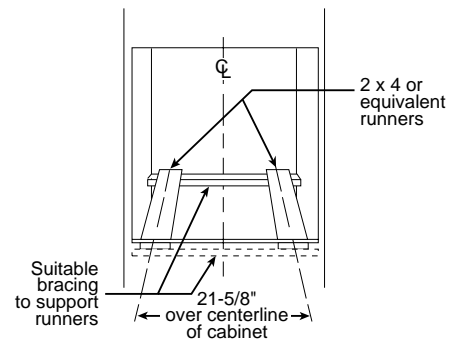
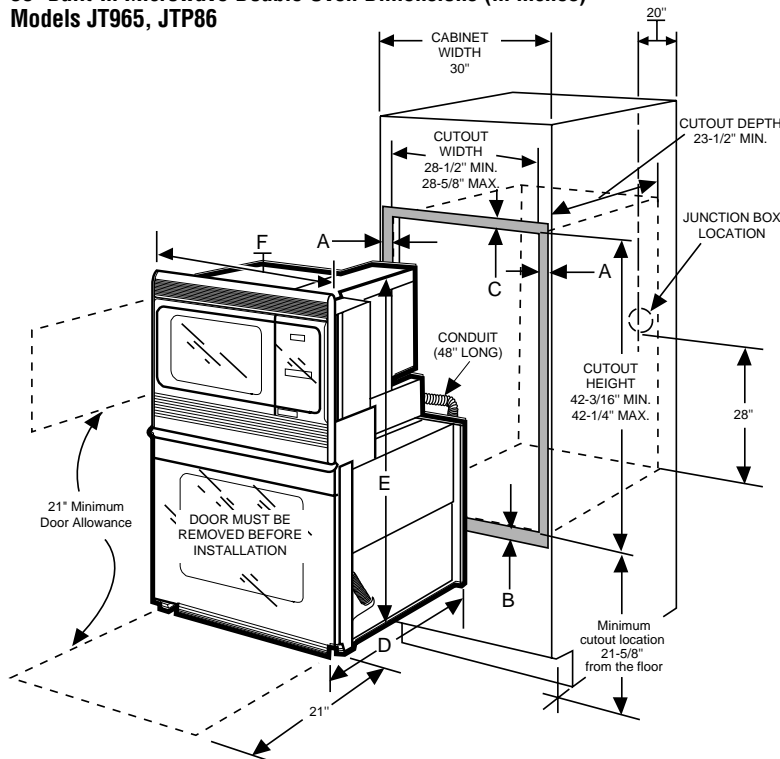
Cabinet	30"
A - Overlap of Oven Over Side Edges of Cutout	11/16" - 3/4"
B - Overlap of Oven at Top and Bottom of Cutout	1"
Oven	
C - Overall Depth	23-1/2"
D - Overall Height	52-7/8"
E - Overall Width	29-3/4"

Note: Cabinets installed adjacent to wall ovens must have an adhesion spec of at least a 194°F temperature rating.

MOST 30" WALL CABINETS CAN BE USED WITH THIS UNIT.
THE OPENING BETWEEN THE INSIDE WALLS MUST BE AT LEAST 28-1/2" WIDE.

30" Built-In Microwave Double Oven Dimensions (in inches)

Models JT965, JTP86



(Must support 275 lbs.)

Cabinet	30"
A - Overlap of Oven Over Side Edges of Cutout	11/16"
B - Overlap of Oven at Bottom of Cutout	1"
C - Overlap of Oven at Top of Cutout	1/2"
Oven	
D - Overall Depth	23-1/2"
E - Overall Height	43-1/2"
F - Overall Width	29-3/4"

Note: Cabinets installed adjacent to wall ovens must have an adhesion spec of at least a 194°F temperature rating.

MOST 30" WALL CABINETS CAN BE USED WITH THIS UNIT.
THE OPENING BETWEEN THE INSIDE WALLS MUST BE AT LEAST 28-1/2" WIDE.

Electric wall ovens are not approved for installation with a plug and receptacle. They must be hard wired in accordance with installation instructions.

Installation Information: Before installing, consult installation instructions packed with product for current dimensional data.

See page 156 for warranty information.



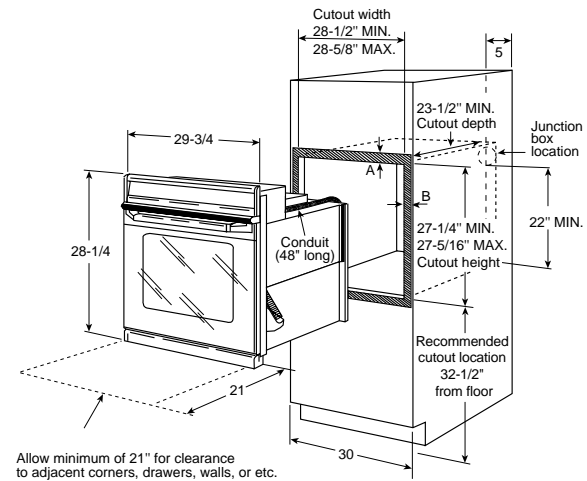
30" Built-In Single Ovens

	GE Profile™		GE®
	Convection Single Ovens		Single Ovens
	JT915SF JT915WF JT915CF JT915BF	JT912SF JT912WF JT912CF JT912BF	JTP20SF JTP20WF JTP20CF JTP20BF
Features			
Oven	Convection/Self-Clean	Convection/Self-Clean	Self-Clean
Cleaning time	Variable	Variable	Variable
Automatic self-clean oven door lock	•	•	•
Self-clean oven w/Delay Clean option	•	•	•
Light self-clean option	•	•	•
TrueTemp™ System	•	•	•
CleanDesign oven/hidden bake element	•	•	•
Variable broil/Six-pass broil element	•	•	•
Eight-pass bake element	•	•	•
Precise Air™ Convection System	•	•	•
Convection bake	Multi/Single-rack	•	•
Convection roast	•	•	•
Auto Recipe™ Conversion	•	•	•
SmartSet controls	Glass touch	•	•
Proof Mode	•	•	•
Warm Mode	•	•	•
Oven meat probe	•	•	•
Optional closed door broiling	•	•	•
Temperature display	•	•	•
Delay Bake Option	•	•	•
C° and F° programmable	•	•	•
Audible preheat signal	•	•	•
Auto oven shut-off w/override	•	•	•
Electronic clock and kitchen timer	•	•	•
Control lock capability	•	•	•
Oven light	Halogen	•	•
Certified Sabbath Mode	•	•	•
Oven racks	3 Heavy-duty	3 Heavy-duty	2
Embossed rack positions	7	7	6
Roasting rack	•	•	•
Broiler pan with grid	•	•	•
Convection cookbook	•	•	•
Appearance			
	SS WW CC BB	SS WW CC BB	SS WW CC BB
Color appearance*	Stainless steel White Glass Bisque Glass Black Glass	Stainless steel White Glass Bisque Glass Black Glass	Stainless steel White Glass Bisque Glass Black Glass
Frameless oven doors	•	•	•
Big ClearView™ window	•	•	•
Oven door handle	Sculptured Stainless-look Sculptured White Sculptured Bisque Sculptured Black	Sculptured Stainless-look Sculptured White Sculptured Bisque Sculptured Black	Black White Bisque Black
Flush appearance installation	•	•	•
Undercounter installation	•	•	•
Weights & Dimensions			
Approx. shipping wt. (lbs.)	135	135	130
Oven cabinet width required (in.)	30	30	30
Overall dimensions (WxHxD in inches)	29-3/4 x 28-1/4 x 23-1/2	29-3/4 x 28-1/4 x 23-1/2	29-3/4 x 28-1/4 x 23-1/2
Overall oven interior dimensions (WxHxD in inches)	24 x 16-1/4 x 18-1/4	24 x 16-1/4 x 18-1/4	24 x 17-1/2 x 18-1/4
Power/Ratings			
KW rating @ 240V	3.6	3.6	3.6
208V	2.7	2.7	2.7
Amps @ 240V	20	20	20
208V	20	20	20
Convection wattage	2500	2500	
Broiler/bake wattage	3600/2700	3600/2700	3600/3410

*SS = Stainless steel, WW = White on white, CC = Bisque on bisque, BB = Black on black.

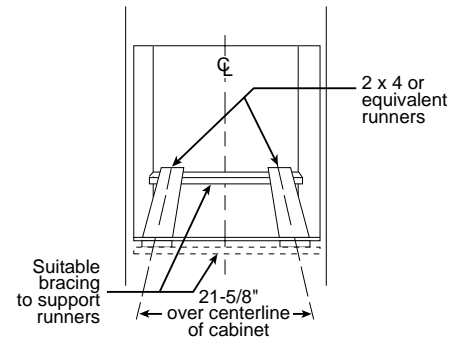


30" Built-In Single Oven Dimensions (in inches) Single Oven Wall-Mount or Cabinet Installation (in inches)



Allow minimum of 21" for clearance to adjacent corners, drawers, walls, or etc.

A=Allow 1" overlap of oven over top and bottom edges of cutout.
B=Allow 11/16"-3/4" for overlap of oven over side edges of cutout.



(Must support 275 lbs.)

Most 30" Wall Cabinets can be used with this unit.

Note: These ovens are *not* approved for stackable or side-by-side installations.

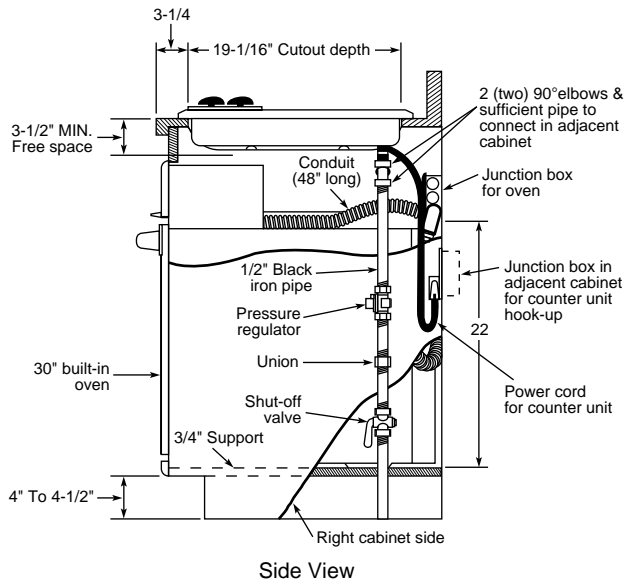
Note: Cabinets installed adjacent to wall ovens must have an adhesion spec of at least a 194°F temperature rating.

See page 156 for warranty information.



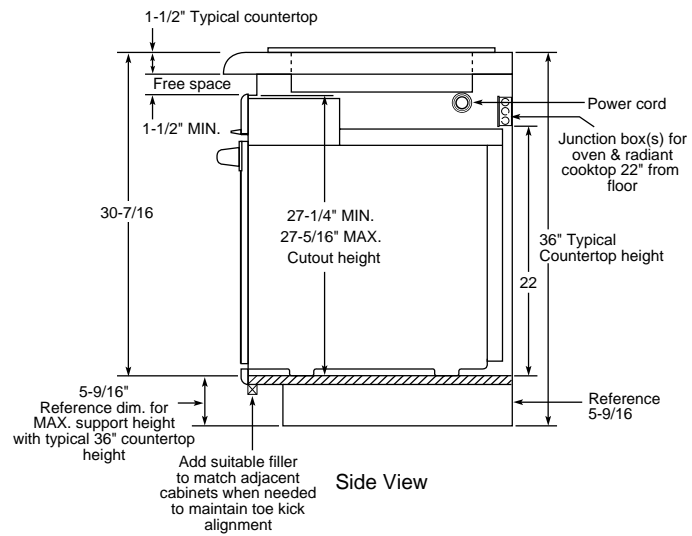
30" Built-In Single Ovens (continued)

Optional Undercounter Installation With 36" Gas Cooktop (in inches)



Note: For standard or sealed burner cooktop installation information over the 30" wall oven, refer to 27" wall oven installation, page 181.

Optional Undercounter Installation With 30" CleanDesign or Sealed Burner Gas Cooktop (in inches)

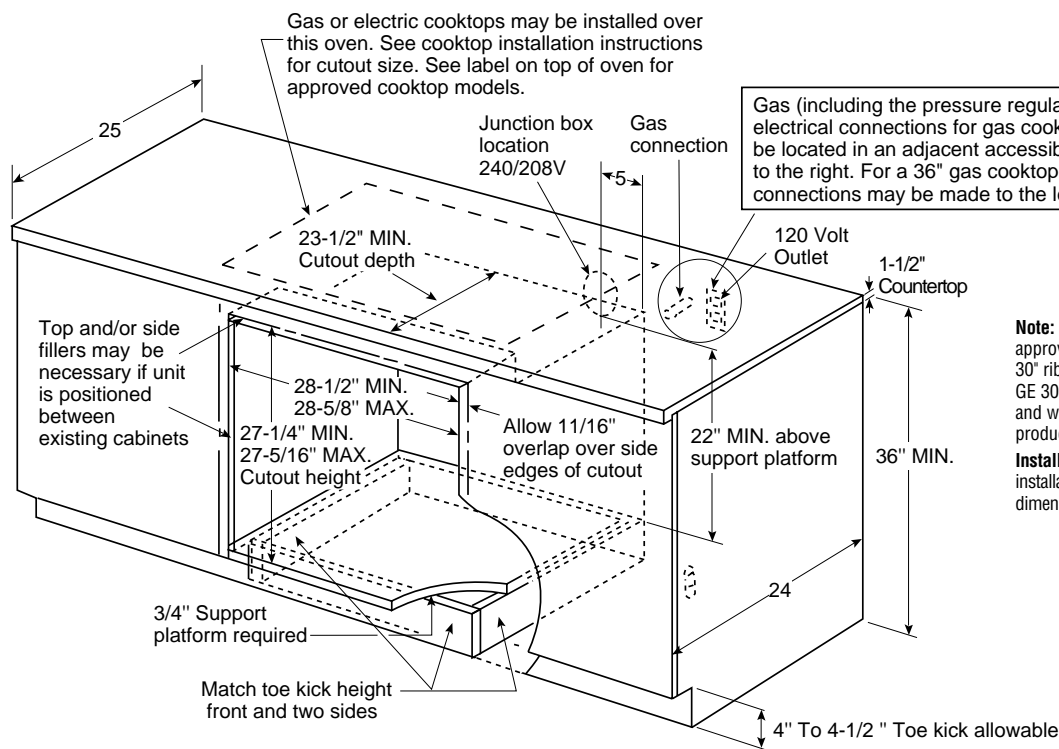


This installation is to achieve minimum gap between bottom of countertop and control panel.

Note: For this installation, the bottom trim *will not* be flush with a typical 4" toe kick.

Note: Cabinets installed adjacent to wall ovens must have an adhesion spec of at least a 194°F temperature rating.

Undercounter Installation (in inches)



Note: 36" ribbon cooktops (excluding JP960) are approved for use over GE 30" single wall ovens only. 30" ribbon cooktops are approved for use over GE 30" and GE 27" single wall ovens. Refer to cooktop and wall oven installation information packed with products for current dimensional data.

Installation Information: Before installing, consult installation instructions packed with product for current dimensional data and for alternate installation options.

Electric wall ovens are not approved for installation with a plug and receptacle. They must be hard wired in accordance with installation instructions.

Installation Information: Before installing, consult installation instructions packed with product for current dimensional data.

See page 156 for warranty information.



27" and 24" Built-In Double Ovens

	GE Profile™		GE®			
	27" Convection Double Ovens		27" Double Ovens		27" Microwave Double Ovens	24" Double Oven
	JK955SF JK955WF JK955CF JK955BF	JKP48WF JKP48CF JKP48BF	JKP28WF JKP28BF	JKP86SF JKP86WF JKP86CF JKP86BF	JRP24BD	
Features						
Oven	Upper Lower	Convection/Self-Clean Thermal/Self-Clean	Self-Clean Self-Clean	Self-Clean Standard	Microwave Self-Clean	Self-Clean Standard
Cleaning time		Variable	Variable	Variable (upper)	Variable (Lower)	Variable (upper)
Automatic self-clean oven door lock		●	●	Upper	Lower	Upper
Self-clean oven w/Delay Clean option		●	●	Upper	Lower	Upper
Light self-clean option		●	●	Upper		
TrueTemp™ System		●	●	Upper	Lower	
CleanDesign oven/hidden bake element		●				
Variable broil		●	●	●	Lower	Upper
Precise Air™ Convection System		Upper				
Multi-rack convection bake		Upper				
Single-rack convection bake		Upper				
Convection roast		Upper				
Auto Recipe™ Conversion		Upper				
SmartSet Controls		Glass touch	●	Upper	Lower	Upper
Proof Mode		Upper				
Warm Mode		Upper				
Oven meat probe		Upper				
Optional closed door broiling		●	●	●	Lower	
Temperature display		●	●	Upper	●	Upper
Delay Bake Option		●	●	Upper	Lower	Upper
C° and F° programmable		●	●	Upper	Lower	Upper
Audible preheat signal		●	●	Upper	Lower	●
Auto oven shut-off w/override		●	●	Upper	Lower	Upper
Electronic clock and kitchen timer		●	●	●	●	●
Control lock capability		●	●	Upper	Lower	Upper
Oven light		Halogen	●	●	Lower	●
Certified Sabbath Mode		●	●	Upper		
Microwave Oven Features:						
Microwave cooking timer					99-Min./99-Sec.	
Microwave power levels					10	
Sensor functions					3	
Electronic MWO touch controls					●	
Microwave oven cavity (cu. ft.)					1.6	
MWO power output watts					1000	
Turntable					●	
Oven racks	Upper Lower	3 Heavy-duty 2 Heavy-duty	2 2	2 2	2 2	2 2
Embossed rack positions		4 Upper/4 Lower	4 Upper/4 Lower	4 Upper/4 Lower	4 Lower	2 Upper/2 Lower
Roasting rack		Upper				
Broiler pan with grid		Upper	Upper	Upper	Lower	●
Convection cookbook		●				
Appearance						
Color appearance*		SS WW CC BB	WW CC BB	WW BB	SS WW CC BB	BB
Frameless oven doors		Stainless steel White Glass Bisque Glass Black Glass	White Glass Bisque Glass Black Glass	White Glass Black Glass	Stainless Steel White Glass Bisque Glass Black Glass	Black Glass
Big ClearView™ windows		●	●	●	Lower	●
Oven door handles		Sculptured Stainless-look Sculptured White Sculptured Bisque Sculptured Black	White Bisque Black	White Black	Black White Bisque Black	Black
Flush appearance installation		●	●	●	●	
Weights & Dimensions						
Approx. shipping wt. (lbs.)		162	157	157	155	135
Oven cabinet width required (in.)		27	27	27	27	24
Overall dimensions (WxHxD in inches)		26-5/8 x 51 x 23-5/8	26-5/8 x 51 x 23-5/8	26-5/8 x 51 x 23-5/8	26-5/8 x 42-1/2 x 23-5/8	23-3/4 x 48-5/8 x 23-1/8
Overall oven interior dimensions	Upper Lower	21-1/2 x 17 x 18-1/4 21-1/2 x 17 x 18-1/4	21-1/2 x 17 x 18-1/4 21-1/2 x 17 x 18-1/4	21-1/2 x 17 x 18-1/4 21-1/2 x 17 x 18-1/4	16 x 11-1/8 x 16-3/8 21-1/2 x 17 x 18-1/4	17 x 15 x 18-1/2 17 x 15 x 18-1/2
Power/Ratings						
KW rating @ 240V		6.8	6.8	7.1	6.4	7.1
208V		5.1	5.1	5.3	5.1	5.3
Amps @ 240V		30	30	30	30	30
208V		30	30	30	30	30
Convection wattage		2500				
Broiler/bake wattage		3400/2650	3400/2650	3400/2650	3400/2650	3400/2600

*SS = Stainless steel, WW = White on white, CC = Bisque on bisque, BB = Black on black.

See page 156 for warranty information.

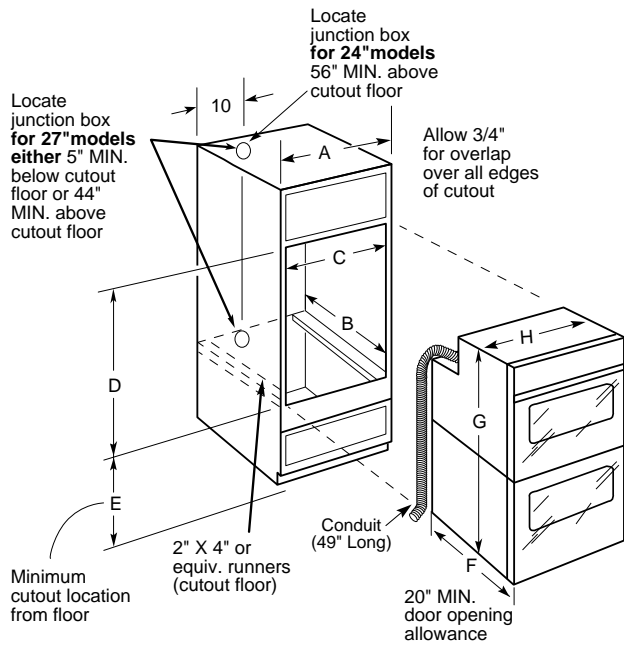


Listed by Underwriters Laboratories



27" and 24" Built-In Double Ovens (continued)

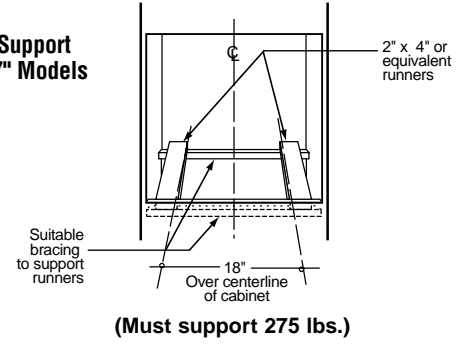
27"/24" Built-In Double Oven Dimensions (in inches)



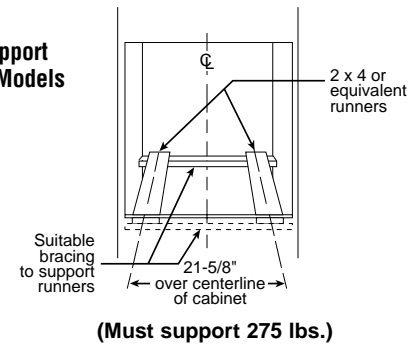
Note: Cabinets installed adjacent to wall ovens must have an adhesion spec of at least a 194°F temperature rating.

Note: If marks, blemishes or the cutout opening is visible above the installed oven, it may be necessary to add wood shims under the runners and front trim until the marks or openings are covered.

Oven Support For 27" Models



Oven Support For 24" Models



Cabinet	JK955/JKP48/28	JRP24
A - Cabinet Width Required	27" min.	24" min.
B - Minimum Cabinet Depth	23-5/8"	23-1/2"
C - Opening Width	25" min. - 25-1/4 max.	22-1/2"
D - Opening Height	50-1/8" max.	48-1/8" min.
E - Recommended Minimum Cutout Location from Floor	13-1/4"	14"
Oven		
F - Overall Depth	23-5/8"	23-1/8"
	w/o trim	50-1/4"
	with trim	48-1/8"
G - Overall Height	51"	49-1/4"
H - Overall Width	26-5/8"	23-3/4"

Refrigeration

Cooking Products

Microwave Ovens

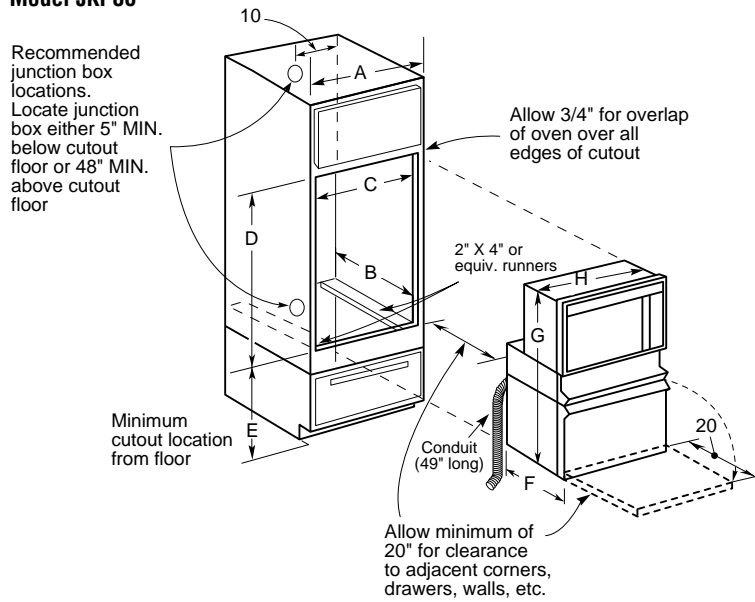
Dishwashers

Clothes Care

Water Systems

Air Conditioning

27" Built-In Microwave Double Oven Dimensions (in inches) Model JKP86

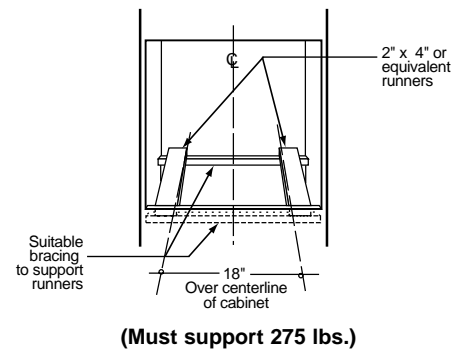


Note: Cabinets installed adjacent to wall ovens must have an adhesion spec of at least a 194°F temperature rating.

Note: If marks, blemishes or the cutout opening is visible above the installed oven, it may be necessary to add wood shims under the runners and front trim until the marks or openings are covered.

Electric wall ovens are not approved for installation with a plug and receptacle. They must be hard wired in accordance with installation instructions.

Installation Information: Before installing, consult installation instructions packed with product for current dimensional data.



Cabinet	27"
A - Cabinet Width Required	27" min.
B - Minimum Cabinet Depth	23-5/8"
C - Opening Width	25" min. - 25-1/4 max.
D - Opening Height	41-1/4" max.
E - Minimum Cutout Location from Floor	22"
Oven	
F - Overall Depth	23-5/8"
	w/o trim
	with trim
G - Overall Height	41-3/8"
	with trim
H - Overall Width	42-1/8"
	with trim
	26-5/8"

See page 156 for warranty information.



27" and 24" Built-In Single Ovens

	GE Profile™	GE			
	27" Convection Single Ovens	27" Single Ovens		24" Single Ovens	
	JK915SF JK915WF JK915CF JK915BF	JKP20WF JKP20CF JKP20BF	JKS06BF	JRP15WW JRP15BW	JRS04BW
Features					
Oven	Convection/Self-Clean	Self-Clean	Standard-Clean	Self-Clean	Standard
Cleaning time	Variable	Variable		Variable	
Automatic self-clean oven door lock	•	•		•	
Self-clean oven w/Delay Clean option	•	•		•	
Light self-clean option	•	•			
TrueTemp™ System	•	•	•		
CleanDesign oven/hidden bake element	•				
Variable broil	•	•	•	•	•
Precise Air™ Convection System					
Multi-rack convection bake	•				
Single-rack convection bake	•				
Convection roast	•				
Auto Recipe™ Conversion	•				
SmartSet Controls	Glass touch	•	•	•	•
Proof Mode	•				
Warm Mode	•				
Oven meat probe	•				
Optional closed door broiling	•	•	•		
Temperature display	•	•	•	•	•
Delay Bake Option	•	•	•	•	•
C° and F° programmable	•	•	•	•	•
Audible preheat signal	•	•	•	•	•
Auto oven shut-off w/override	•	•	•	•	•
Electronic clock and kitchen timer	•	•	•	•	•
Control lock capability	•	•		•	
Oven light	Halogen	•	•	•	•
Certified Sabbath Mode	•	•	•		
Oven racks	3 Heavy-duty	2	2	2	2
Embossed rack positions	4	4	4		
Roasting rack	•				
Broiler pan with grid	•	•	•	•	•
Convection cookbook	•				
Appearance					
Color appearance*	SS WW CC BB	WW CC BB	BB	WW BB	BB
Frameless oven doors	Stainless Steel White Glass Bisque Glass Black Glass	White Glass Bisque Glass Black Glass	Black Glass	White Glass Black Glass	Black Glass
Big ClearView™ windows	•	•	•	Standard	Standard
Oven door handles	Sculptured Stainless-look Sculptured White Sculptured Bisque Sculptured Black	White Bisque Black	Black	White Black	Black
Flush appearance installation	•	•	•		
Undercounter installation	•	•	•		
Weights & Dimensions					
Approx. shipping wt. (lbs.)	98	93	91	114	82
Oven cabinet width required (in.)	27	27	27	24	24
Overall dimensions (WxHxD in inches)	26-5/8 x 29 x 23-5/8	26-5/8 x 29 x 23-5/8	26-5/8 x 29 x 23-5/8	23-3/4 x 28-3/16 x 23-1/8	23-3/4 x 28-3/16 x 23-1/8
Overall oven interior dimensions (WxHxD in inches)	21-1/2 x 17 x 18-1/4	21-1/2 x 17 x 18-1/4	21-1/2 x 17 x 18-1/4	17 x 15 x 18-1/2	17 x 15 x 18-1/2
Power/Ratings					
KW rating @ 240V	3.4	3.4	3.4	3.4	3.4
208V	2.6	2.6	2.6	2.6	2.6
Amps @ 240V	20	20	20	20	20
208V	20	20	20	20	20
Convection wattage	2500				
Broiler/bake wattage	3400/2650	3400/2650	3400/2000	3400/2600	3400/2000

*SS = Stainless steel, WW = White on white, CC = Bisque on bisque, BB = Black on black.

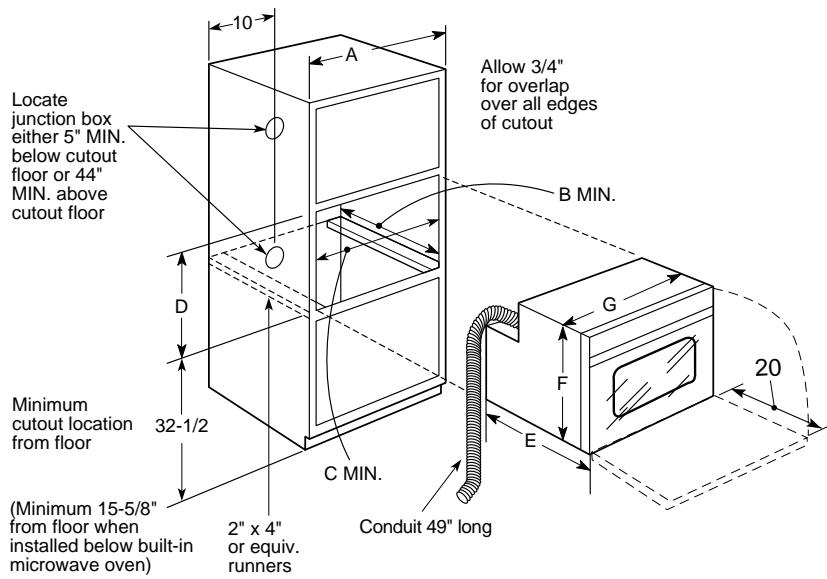


See page 156 for warranty information.



27" and 24" Built-In Single Ovens (continued)

27"/24" Built-In Single Oven Dimensions (in inches)



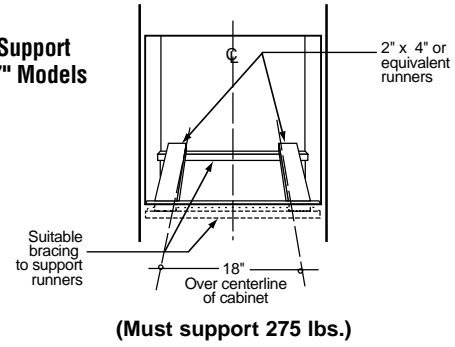
Note: Models JKS06, JRP15, JKP20, JK915 and JRS04 are not approved for stackable or side-by-side installations.

Note: Models JK915 and JKP20 can be installed side-by-side in separate enclosures with no less than 30" distance between center-to-center of each oven.

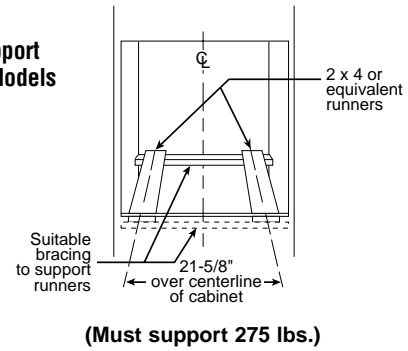
Note: Cabinets installed adjacent to wall ovens must have an adhesion spec of at least a 194°F temperature rating.

Note: For 27" built-in single ovens, if marks, blemishes or the cutout opening is visible above the installed oven, it may be necessary to add wood shims under the runners and front trim until the marks or openings are covered.

Oven Support For 27" Models



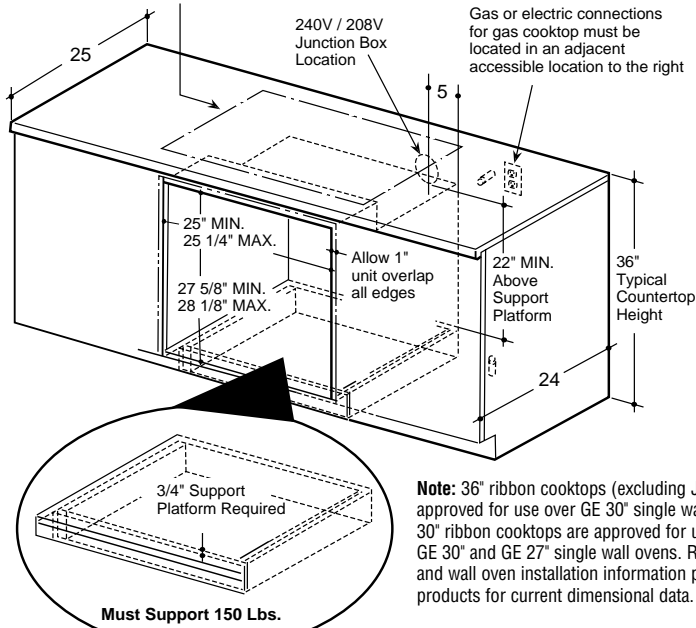
Oven Support For 24" Models



Cabinet	JK915/JKP20, JKS06	JRP15, JRS04
A - Cabinet Width Required	27" min.	24" min.
B - Minimum Cabinet Depth	23-5/8"	23-1/2"
C - Opening Width	25" min. - 25-1/4 max.	22-1/2"
D - Opening Height	27-5/8" min. - 28-1/8" max.	27-5/8" min.
Oven		
E - Overall Depth	23-5/8"	23-1/8"
	w/o trim	28-1/4"
F - Overall Height	29"	27-1/2"
	with trim	28-3/16"
G - Overall Width	26-5/8"	23-3/4"

Undercounter Installation Dimensions (in inches) Models JK915, JKP20 and JKS06

Gas or electric cooktops may be installed over this oven. See cooktop installation instructions for cutout size. See label on top of oven for approved cooktop models.

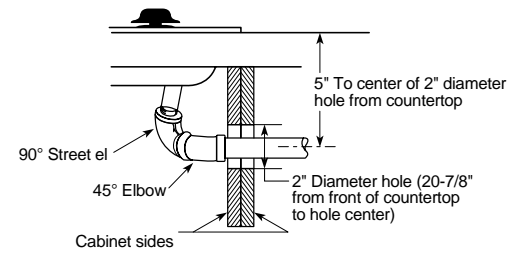


Electric wall ovens are not approved for installation with a plug and receptacle. They must be hard wired in accordance with installation instructions.

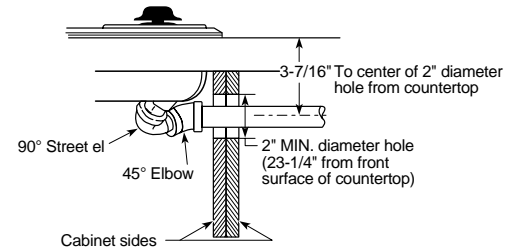
Note: Oven is rated for use only under 30" standard or sealed burner gas and selected 30" CleanDesign and Calrod® electric cooktops.

Installation Information: Before installing, consult installation instructions packed with product for current dimensional data.

Sealed Burner Gas Cooktop Installation Dimensions (in inches)



Standard Burner Gas Cooktop Installation Dimensions (in inches)



Note: Cabinets installed adjacent to wall ovens must have an adhesion spec of at least a 194°F temperature rating.

See page 156 for warranty information.

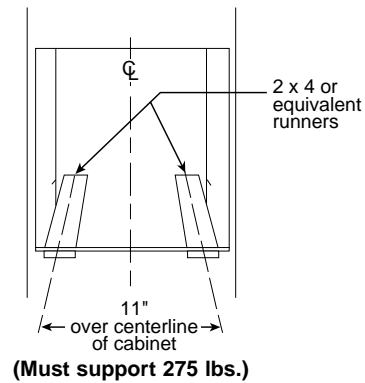
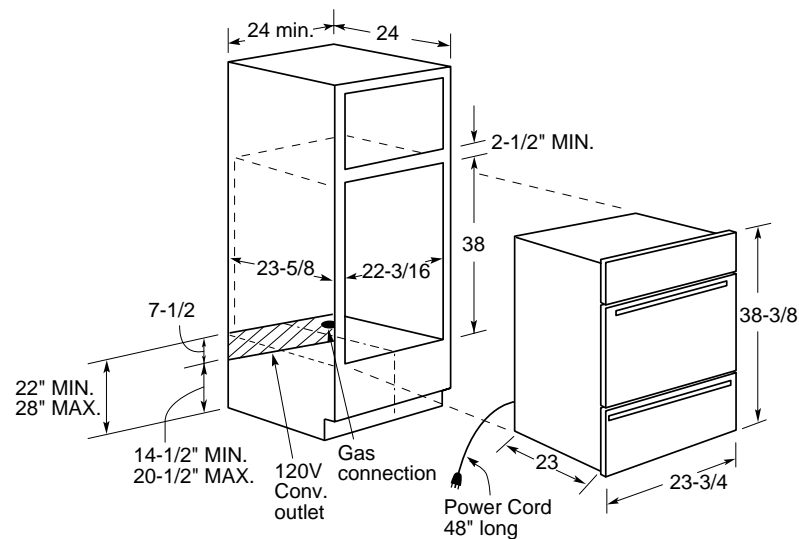


24" Built-In Gas Ovens

	GE	
	JGRP17WEW JGRP17BEW	JGRS14BEW
Features		
Oven interior	Self-Clean	Standard
Automatic self-clean oven door lock	•	
Delay Clean option	•	
In-oven broiling	•	
Separate broiler drawer		•
Storage drawer	•	
SmartSet controls	•	•
Temperature display	•	•
Start pad	•	•
Delay Bake option w/Cook & Hold	•	•
C° or F° programmable	•	•
Audible preheat signal	•	•
Auto oven shut-off w/override	•	•
Electronic clock and kitchen timer	•	•
Control lock capability	•	
Oven light pad	•	•
Oven racks	2	2
Broiler pan with grid	•	•
Electronic pilotless ignition	•	•
Appearance		
Color appearance*	WW BB	BB
Frameless oven door	White Glass Black Glass	Black Glass
Oven door with window	•	•
Designer-style handle	•	•
Weights & Dimensions		
Approx. shipping weight (lbs.)	144	139
Oven cabinet width required (in inches)	24	24
Overall dimensions (WxHxD in inches)	← 23-3/4 x 38-3/8 x 23 →	
Overall oven interior dimensions (WxHxD in inches)	← 17 x 15 x 18-7/8 →	
Power/Ratings		
Gas oven electrical rating	120V, 60Hz, 5A	120V, 60Hz, 15A
Oven /broiler burners (000's BTU's)	14.5/14.5 - Oven	
Natural Gas/LP Gas	13.0/13.0 - Broil	14.5/14.5

*WW = White on white, BB = Black on black.
Factory set for natural gas. A set of LP orifices is included with each oven for LP conversion.

Built-In Gas Oven Dimensions (in inches)



Installation Information: Before installing, consult installation instructions packed with product for current dimensional data.

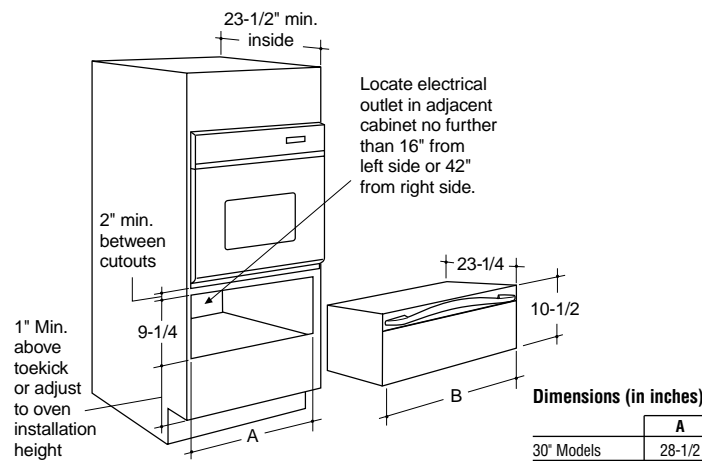
See page 156 for warranty information.

30" and 27" Warming Drawers

	GE Profile™	
	30" Warming Drawers	27" Warming Drawers
	JTD915SF JTD915WF JTD915CF JTD915BF	JKD915SF JKD915WF JKD915CF JKD915BF
Features		
Temperature control	•	•
Proof (80°F)	•	•
Low (140°F)	•	•
Medium (170°F)	•	•
High (210°F)	•	•
Humidity control	Crisp/Moist	Crisp/Moist
Hidden control	•	•
ON/OFF switch	•	•
"ON" indicator light	•	•
Half rack	•	•
Full extension drawer glide	•	•
Removable stainless steel pan	•	•
Appearance		
	SS WW CC BB	SS WW CC BB
Color appearance*	Stainless Steel White glass Bisque glass Black glass	Stainless Steel White glass Bisque glass Black glass
Frameless drawer front	Stainless-look White Bisque Black	Stainless-look White Bisque Black
Sculptured handle		
Weights & Dimensions		
Interior dimensions (WxHxD in inches)	23-7/8 x 6-1/4 x 22-1/16	20-7/8 x 6-1/4 x 22-1/16
Cutout dimensions (WxHxD in inches)	28-1/2 x 9-1/4 x 23-1/2	25-1/2 x 9-1/4 x 23-1/2
Approx. shipping weight (lbs.)	65	59
Power/Ratings		
KW rating @ 120V	.45	.45
Amps @ 120V	15	15
Element wattage	450	450
Accessories		
1/4" panel kit capability	ZXD30B	ZXD27B
Pan set (5 pans with lids)	JXPN1	JXPN1

*SS = Stainless Steel, WW = White on white, CC = Bisque on bisque, BB = Black on black.

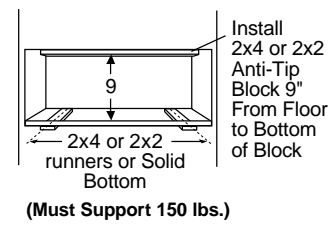
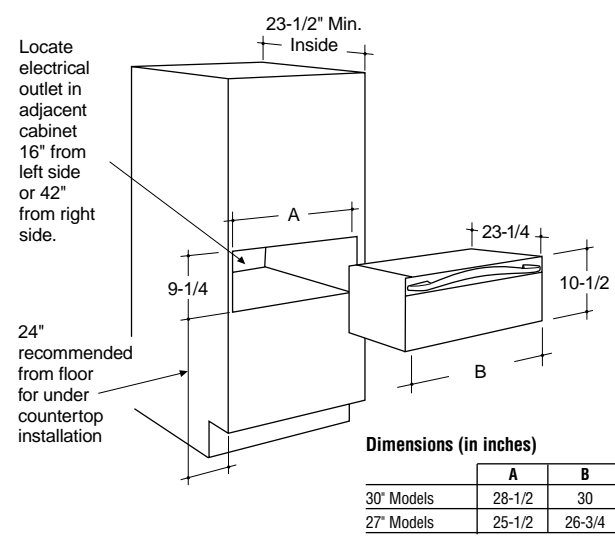
Under Oven Installation (in inches)



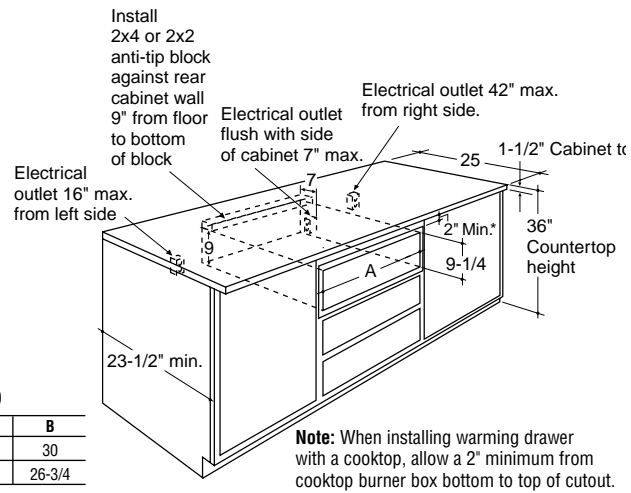
Installation Information: Before installing, consult installation instructions packed with product for current dimensional data.

Optional Accessory: Pan Set For Warming Drawer – JXPN2

Warming Drawer Dimensions (in inches)



Undercounter Installation (in inches)



GEAppliances.com

Refrigeration

Cooking Products

Microwave Ovens

Dishwashers

Clothes Care

Water Systems

Air Conditioning

See page 156 for warranty information.

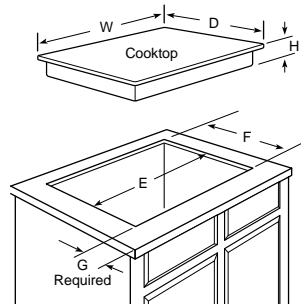
189

Built-In CleanDesign Cooktops

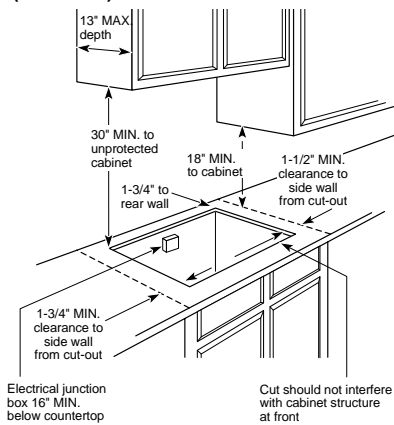
	GE Profile™							GE
	JP969SH JP969WH JP969CH JP969BH	JP961SH JP961TH JP961KH JP961BH	JP960SC JP960TC JP960KC JP960BC	JP939SH JP939WH JP939CH JP939BH	JP931SH JP931TH JP931KH JP931BH	JP930SC JP930TC JP930KC JP930BC	JP350SC JP350TC JP350WC JP350KC JP350BC	JP340WC JP340CC JP340BC
Features								
Ceramic-glass surface	Patterned Black Patterned White Patterned Bisque Patterned Black	Patterned Black True White True Bisque Patterned Black	Patterned Black True White True Bisque Patterned Black	Patterned Black Patterned White Patterned Bisque Patterned Black	Patterned Black True White True Bisque Patterned Black	Patterned Black True White True Bisque Patterned Black	Patterned Black True White Patterned White True Bisque Patterned Black	Patterned White Patterned Bisque Patterned Black
Number of elements	5 Ribbon	5 Ribbon	5 Ribbon	4 Ribbon	4 Ribbon	4 Ribbon	4 Ribbon	4 Ribbon
Dual 6 7/8" heating elements	1 Ribbon (2500W)	1 Ribbon (2500W)	1 Ribbon (2500W)	1 Ribbon (2500W)	1 Ribbon (2500W)	1 Ribbon (2500W)	1 Ribbon (2500W)	
Dual 5 7/8" heating elements	1 Ribbon (2200W)	1 Ribbon (2200W)		1 Ribbon (2200W)	1 Ribbon (1900W)			
8" heating elements					1 Ribbon (2000W)		2 Ribbon (2000W)	2 Ribbon (2000W)
7" heating element	1 Ribbon w/Warmer (1500W)	1 Ribbon (1500W)	1 Ribbon (1500W)	1 Ribbon (1500W)				
7" heating elements			2 Ribbon (1800W)			2 Ribbon (1800W)		
Bridge element			1 Ribbon (800W)			1 Ribbon (800W)		
Total wattage			4400W			4400W		
6" heating elements	2 Ribbon (1200W)	2 Ribbon (1200W)	1 Ribbon (1200W)	1 Ribbon (1200W)	1 Ribbon (1200W)	1 Ribbon (1200W)	1 Ribbon (1200W)	2 Ribbon (1200W)
Hot surface indicator lights	5	5	5	4	4	4	4	1
Electronic touch controls	●			●				
Pan presence sensor	●			●				
Pan size sensor	●			●				
Kitchen timer	●			●				
Control lock capability	●			●				
Appearance								
Color appearance*	SS WW CC BB	SS WW CC BB	SS WW CC BB	SS WW CC BB	SS WW CC BB	SS WW CC BB	SS WW CC BB	WW CC BB
Frameless	●	●	●	●	●	●	●	●
Weights & Dimensions								
Cooktop width (in inches)	36	36	36	30	30	30	30	30
Approx. shipping weight (lbs.)	45	44	44	38	38	38	38	35
Power/Ratings								
KW rating @ 240V	8.6	9.6	9.6	7.4	7.6	8.1	7.7	6.4
208V	6.5	7.2	7.2	5.6	5.7	6.1	5.8	4.8
Amps @ 240V	36	40	40	31	32	40	40	30
208V	31	40	40	27	27	30	30	30

*SS = Stainless Steel, WW = White on white, CC = Bisque on bisque, BB = Black on black.

Cooktop Dimensions (in inches)



Counter Installation Dimensions (in inches)



See page 156 for warranty information.

190

Cooktop Dimensions (in inches)

Model	Overall			Cutout			To Edge of Front Counter (Min.)
	W	D	A	E	F	G	
JP969WH/CH/BH	36	20-3/8	3-1/4*	33-7/8	19-1/8	2-1/2	
JP961TH/KH/BH	36	20-3/8	3-1/4*	33-7/8	19-1/8	2-1/2	
JP960TC/KC/BC	36	20-3/8	3-1/4*	33-7/8	19-1/8	2-1/2	
JP939WH/CH/BH	29-3/4	20-7/8	3-1/4*	28-1/2	19-5/8	2-1/2	
JP931TH/KH/BH	29-3/4	20-7/8	3-1/4*	28-1/2	19-5/8	2-1/2	
JP930TC/KC/BC	29-3/4	20-7/8	3-1/4*	28-1/2	19-5/8	2-1/2	
JP350TC/WC/KC/BC	29-3/4	20-7/8	3-1/4*	28-1/2	19-5/8	2-1/2	
JP340WC/CC/BC	29-3/4	20-7/8	3-1/4*	28-1/2	19-5/8	2-1/2	

*Depth of unit at conduit connection location (rear) is 6-1/4" on models JP969/939 and 4-5/8" on models JP961/960/931/930/350/340.

Stainless Steel Cooktop Dimensions (in inches)

Model	Overall			Cutout			To Edge of Front Counter (Min.)
	W	D	A	E	F	G	
JP969SH	36-1/8	21	3-1/4*	33-7/8	19-1/8	2-1/2	
JP961SH	36-1/8	21	3-1/4*	33-7/8	19-1/8	2-1/2	
JP960SC	36-1/8	21	3-1/4*	33-7/8	19-1/8	2-1/2	
JP939SH	29-7/8	21-1/2	3-1/4*	28-1/2	19-5/8	2-1/2	
JP931SH	29-7/8	21-1/2	3-1/4*	28-1/2	19-5/8	2-1/2	
JP930SC	29-7/8	21-1/2	3-1/4*	28-1/2	19-5/8	2-1/2	
JP350SC	29-7/8	21-1/2	3-1/4*	28-1/2	19-5/8	2-1/2	

*Depth of unit at conduit connection location (rear) is 6-1/4" on models JP969/939 and 4-5/8" on models JP961/960/931/930/350/340.

Built-In CleanDesign Cooktops

Requires a 5" free area between the bottom of the cooktop to any combustible material, i.e., shelving. Free area not required when installing wall oven underneath cooktop. Refer to installation instructions. Requires an 18" minimum from cooktop to adjacent overhead cabinets. Units are furnished with a 48" flexible armored cable.

36" Ribbon cooktops (excluding JP960) are approved for use over GE 30" Single Wall Ovens and Warming Drawers. 30" Ribbon cooktops are approved for use over GE 30" Single Wall Ovens and Warming Drawers. Refer to cooktop and wall oven installation instructions packed with product for current dimensional data.

Notes: If installing with a GE Profile Telescopic Downdraft System, consult both cooktop and downdraft installation instructions packed with product before installing. Cooktop gas/electric supply may need to be re-routed to install downdraft.

The countertop must be at least 26" deep with a flat surface area of 23-1/2" or more, front to back. JGP939S, JGP930S, JP350S and JGP932S require 23-5/8" flat surface area. In addition, other clearances to the front edge of the countertop must be considered.

Note: Consult cabinet and countertop manufacturer's specs for flush mount installation prior to install.

Filler Trim Kit

When replacing an old GE 30" cooktop (with larger opening) with Models JP939/931/930/350/340, use the following one-piece trim kit to fill in the over-size hole. Available at additional cost.

JXTR31W (True White)
JXTR31C (True Bisque)
JXTR31B (Black—use with black glass cooktops with a white, bisque or black pattern)

Flush Mount Installation Kit

Accommodates both 30" and 36" installations. Not for use with stainless steel models.

JXFLMTW (True White)
JXFLMCC (True Bisque)
JXFLMBB (Black—use with black glass cooktops with a white, bisque or black pattern)

Optional Accessory

ZX375GRD Universal Griddle is non-stick and fits all electric smooth top ranges, cooktops, electric bridge elements and gas ranges.

Installation Information:

Before installing, consult installation instructions packed with product for current dimensional data.



Built-In Electric Cooktops

	GE			
	JP626WF JP626CF	JP328SF JP328WF JP328CF JP328BF	JP201CB	JP202D
Features				
Cooktop surface	Porcelain-Enameled	Stainless Steel Porcelain-Enameled Porcelain-Enameled Porcelain-Enameled	Stainless Steel	Porcelain-Enameled
Lift-up cooktop with support rod	●	●		
8" heating elements	2 Plug-In	2 Plug-In	1 Plug-In	1 Plug-In
6" heating elements	2 Plug-In	2 Plug-In	1 Plug-In	1 Plug-In
One-piece removable chrome drip bowls	●	●	●	●
Infinite heat rotary controls	●	●	●	●
Control panel location	Upfront	Upfront	Upfront	Upfront
Control panel	White Glass Bisque Glass	Black Glass White Glass Bisque Glass Black Glass		
Surface element "ON" indicator light	●	●	●	●
Appearance				
Color appearance*	WW CC	SS WW CC BB	SS	WW
Weights & Dimensions				
Cooktop width (in inches)	35-1/2	30-1/4	21-1/4	21-1/4
Approx. shipping weight (lbs.)	38	36	18	18
Power/Ratings				
KW rating @ 240V	7.4	7.4	3.4	3.4
208V	5.6	5.6	2.5	2.5
Amps @ 240V	40	40	20	20
208V	30	30	20	20

*SS = Stainless Steel, WW = White on white, CC = Bisque on bisque, BB = Black on black.

Built-In Electric Cooktops

Required free area between the bottom of the cooktop and any combustible material, i.e., shelving is 5" minimum on models JP626/328 and 1-1/2" minimum on models JP201/202. Free area not required when installing wall oven underneath. Requires an 18" minimum from cooktop to adjacent overhead cabinets. Units are furnished with a 48" flexible armored cable.

Cooktop model JP328 is approved for use over select GE 27" or 30" Single Wall Ovens. JP626 is approved for use over GE 30" Single Wall Ovens only. Refer to cooktop and wall oven installation instructions packed with product for current dimensional data.

Cooktop models JP201CB and JP202D are approved for use over GE undersink dishwasher model GSM2100. Refer to cooktop installation instructions packed with product for current dimensional data.

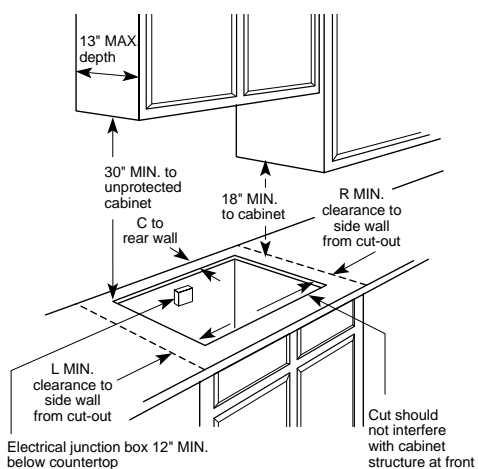
Note: If installing with a GE Profile Telescopic Downdraft System, consult both cooktop and downdraft installation instructions packed with product before installing. Cooktop gas/electric supply may need to be re-routed to install downdraft.

Note: The countertop must be at least 26" deep with a flat surface area of 23-1/2" or more, front to back. In addition, other clearances to the front edge of the countertop must be considered.

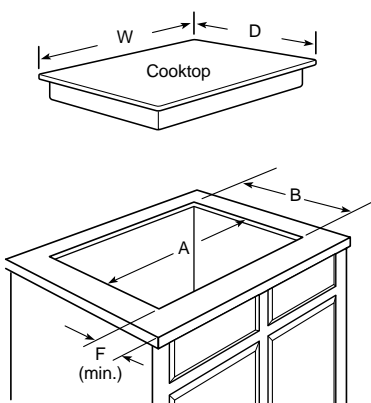
Filler Trim Kit—When replacing an old GE 30" cooktop (with larger opening) with Models JP328WF, JP328CF, JP328BF, JP328SF, use the following one-piece trim kits to fill in the over-size hole. Available at additional cost.
JXTR31W (White)
JXTR31C (Bisque)
JXTR31B (Black)

Installation Information:
Before installing, consult installation instructions packed with product for current dimensional data.

Counter Installation Dimensions (in inches)



Built-In Cooktop Dimensions (in inches)



Dimensions (in inches)

Model	Overall		Cutout		Minimum Spacing To Nearest Combustible Wall			To Edge of Front Counter (Min.)
	W	D	A	B	C	R	L	F
JP626	35-1/2	21	33-7/8	19-1/8	2-1/2	3-3/4	3-3/4	2-1/2
JP328	30-1/4	21-1/4	28-1/2	19-1/2	1-3/4	2	5-1/2	2-1/2
JP202	21-1/4	16-5/8	20-1/8	16-1/8	2	2	2	2-3/4
JP201	21-1/4	16-5/8	20-1/8	16-1/8	2	2	2	2-3/4

See page 156 for warranty information.



Built-In Electric Downdraft Cooktops

	GE Profile™		
	JP989SD	JP989TD JP989KD	JP989BD
Features			
Downdraft exhaust (CFM)	400	400	400
Three-speed downdraft vent fan	●	●	●
Ceramic-glass surface	Black	True White True Bisque	Black
Number of elements	4	4	4
Dual 6 7/8" heating elements	1 Ribbon (2500W)	1 Ribbon (2500W)	1 Ribbon (2500W)
7" heating elements	2 Ribbon (1800W)	2 Ribbon (1800W)	2 Ribbon (1800W)
Bridge element	1 Ribbon (800W)	1 Ribbon (800W)	1 Ribbon (800W)
Total wattage	4400W	4400W	4400W
6" heating elements	1 Ribbon (1500W)	1 Ribbon (1500W)	1 Ribbon (1500W)
Infinite heat controls	●	●	●
Hot surface indicator lights	4	4	4
Heating element "ON" indicator light	●	●	●
Appearance			
Color appearance*	SS	WW CC	BB
Frameless	●	●	●
Weights & Dimensions			
Cooktop width (in inches)	30	30	30
Overall dimensions (WxD in inches)	← 29-7/8 x 21-7/8 →		
Approx. shipping weight (lbs.)	72	72	72
Power/Ratings			
KW Rating @ 240V	8.8	8.8	8.8
208V	6.7	6.7	6.7
Amps @ 240V	40	40	40
208V	40	40	40

*SS = Stainless steel, WW = White on white, CC = Bisque on bisque, BB = Black on black.

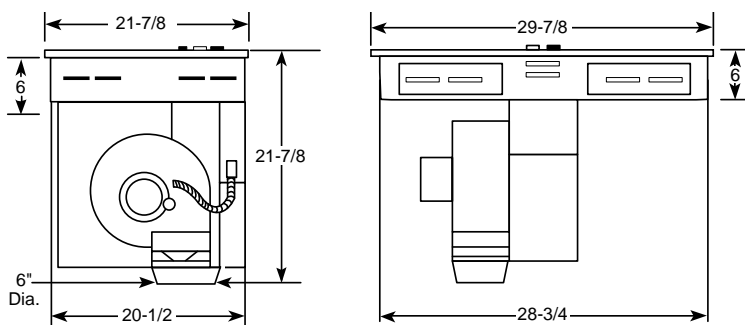
Built-In Gas Downdraft Cooktops

	GE Profile™		
	JGP989TC	JGP989KC	JGP989BC
Features			
Cooktop burners	Sealed	Sealed	Sealed
Electronic pilotless ignition	●	●	●
Ceramic-glass surface	True White	True Bisque	Black
Burner grates	2	2	2
Downdraft exhaust (CFM)	400	400	400
Appearance			
Color appearance*	WW	CC	BB
Frameless	●	●	●
Weights & Dimensions			
Cooktop width (in inches)	30	30	30
Overall dimensions (WxD in inches)	← 29-7/8 x 21-7/8 →		
Approx. shipping weight (lbs.)	90	90	90
Power/Ratings			
Gas cooktop electrical rating	120V	120V	120V
Burners (000's/BTU's)**	(2) 9.1/8.5	(2) 9.1/8.5	(2) 9.1/8.5
Natural Gas/LP Gas	(1) 11.5/11.0 (1) 5.5/5.5	(1) 11.5/11.0 (1) 5.5/5.5	(1) 11.5/11.0 (1) 5.5/5.5

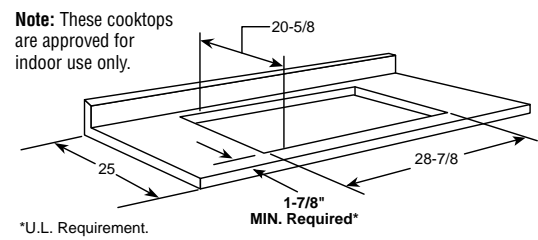
*WW = White on white, CC = Bisque on bisque, BB = Black on black.

**A set of LP orifices is included with each cooktop for LP conversion. Factory set for natural gas.

Built-In Electric and Gas Downdraft Cooktops Dimensions (in inches)

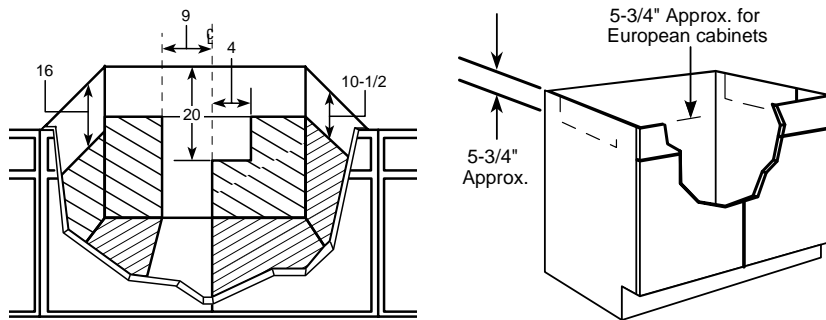


Built-In Electric and Gas Cutout Dimensions (in inches)



Note: A 5" minimum spacing to adjacent side wall is required on JGP989. A 6" minimum spacing to adjacent side wall is required on JP989.

Built-In Electric and Gas Cabinet Dimensions (in inches)



Receptacle Location

Install an approved junction box within shaded area shown in diagram. Junction box must be at least 10-1/2" below top of cabinet.

Preparing the Cabinet for Installation

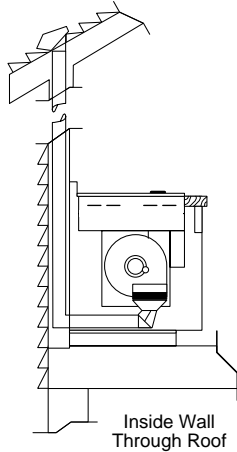
In some cabinets, the sides may need to be scooped or cut down 5-3/4" as shown (right) and the corner braces removed in order to accommodate the cooktop.

See page 156 for warranty information.

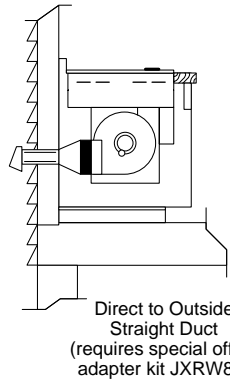


Built-In Electric and Gas Downdraft Cooktops (continued)

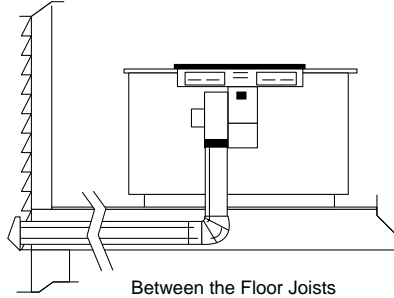
Built-In Electric and Gas Downdraft Cooktop Venting Options



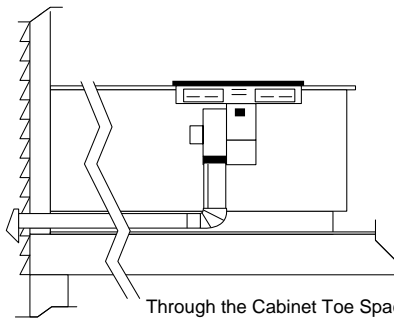
Inside Wall Through Roof



Direct to Outside Straight Duct (requires special offset adapter kit JXRW89)

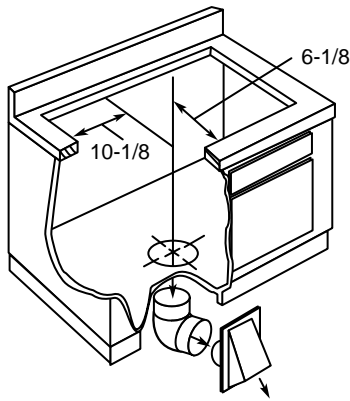


Between the Floor Joists



Through the Cabinet Toe Space

Built-In Electric and Gas Downward Venting (in inches)



Wall Installation

Wall installations require 25" countertop depth. When cabinet is flush against the wall, the fan housing can be rotated to the horizontal position for direct venting through rear wall. Make a countertop cutout in the range cabinet according to unit dimensions and installation type. Duct hole is positioned in back of cabinet for through-the-wall ducting. Requires special offset adapter JXRW89.

Peninsula or Island Installation

For peninsula/islands a minimum 26" countertop depth is suggested. Blower should be in vertical position. Island or peninsula cabinets may require adjustment in cutout depth and/or location within the width dimensions. Duct hole is positioned in bottom of cabinet for island or peninsula installation.

Slab Installation

For peninsula or island installation and rear wall ducting, **6" PVC duct or locally approved piping should be used if installing under a poured concrete slab.**

Note: Electrical cable is not supplied with unit

JXRW89 Rear Wall Installation Kit

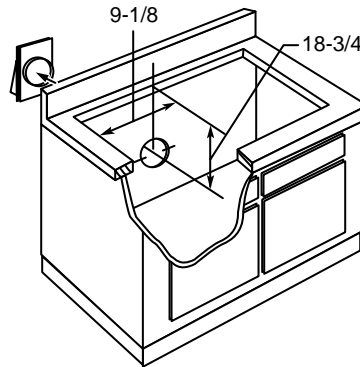
Optional accessories may be ordered for installation on rear wall.

JXCK89 Electrical Connection Kit

Optional accessory kit for JP989 electric downdraft cooktop only, includes junction box and conduit.

Installation Information: Before installing, consult installation instructions packed with product for current dimensional data.

Built-In Electric and Gas Rear Wall Venting (in inches)



Installing the Ductwork

Use galvanized or aluminum duct in 6" round or 3-1/4" x 10" size, or combination of both. **PVC duct or locally approved piping should be used if installing under a poured concrete slab.** Local building code must be followed in specifying type and schedule of all duct used.

Note: Ductwork must be vented to outside. Do not vent into a wall, ceiling, crawl space, attic or any concealed space. Always use an appropriate roof or wall cap with damper. **Laundry-type wall caps should never be used.** For maximum efficiency use the shortest and straightest duct run possible, with as few fittings as possible. For satisfactory performance the duct run should not exceed 100 feet equivalent length. Refer to the table of equivalent lengths (shown in installation instructions) for various duct configurations.



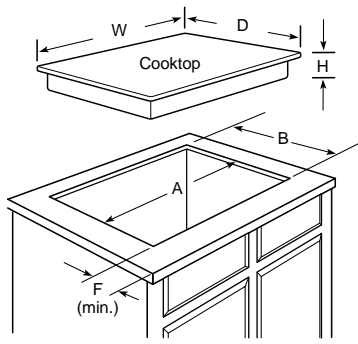
Built-In Gas Cooktops

	GE Profile™				GE®							
	JGP963SEF JGP963WEC JGP963CEC JGP963BEC	JGP962SEC JGP962TEC JGP962KED JGP962BEC	JGP933SEF JGP933WEC JGP933CEC JGP933BEC	JGP932SEC JGP932TEC JGP932KED JGP932BEC	JGP960SED	JGP636WED JGP636CED JGP636BED	JGP930SED	JGP336WED JGP336CED JGP336BED	JGP628WEC JGP628CEC JGP628BEC	JGP328WEC JGP328CEC JGP328BEC	JGP326WEC JGP326CEC JGP326BEC	JGP320EV
Features												
Cooktop burners	5 Sealed	5 Sealed	4 Sealed	4 Sealed	5 Sealed	5 Sealed	4 Sealed	4 Sealed	4 Sealed	4 Sealed	4 Sealed	4 Standard
Power Boil™ burner	●	●	●	●								
High Output burner	●	●	●	●	●	●	●	●	●	●	●	
Precise Simmer burner(s)	2	2	●	●	2	2	●	●	●	●	●	
Electronic pilotless ignition	●	●	●	●	●	●	●	●	●	●	●	●
Cooktop surface	Stainless Porcelain	Ceramic-Glass	Stainless Porcelain	Ceramic-Glass	Tempered Glass	Tempered Glass	Tempered Glass	Tempered Glass	Porcelain- Enameled	Porcelain- Enameled	Porcelain- Enameled	Porcelain- Enameled
Cooktop grates	Continuous Deluxe Cast	Continuous Deluxe Cast	Continuous Deluxe Cast	Continuous Deluxe Cast	Deluxe Cast	Deluxe Cast	Deluxe Cast	Deluxe Cast	Continuous	Continuous	Medium Cast	Standard Steel
One-piece drip pans					Porc.-Enam.	Porc.-Enam.	Porc.-Enam.	Porc.-Enam.	Porc.-Enam.	Porc.-Enam.	Porc.-Enam.	Chrome
Control panel	Stainless White Bisque Black	Stainless True White Bisque Black	Stainless White Bisque Black	Stainless True White Bisque Black	Black	White Bisque Black	Black	White Bisque Black	White Bisque Black	White Bisque Black	White Bisque Black	White/Black
Controls	Upfront	Upfront	Right Side	Right Side	Upfront	Upfront	Right Side	Right Side	Upfront	Right Side	Right Side	Right Side
Appearance												
Color appearance*	SS WW CC BB	SS WW CC BB	SS WW CC BB	SS WW CC BB	SS	WW CC BB	SS	WW CC BB	WW CC BB	WW CC BB	WW CC BB	WH/BL
Weight & Dimensions												
Cooktop width (in inches)	36	36	30	30	36	36	30	30	36	30	30	30
Approx. shipping weight (lbs.)	54	59	44	49	38	38	30	30	51	44	44	31
Power/Ratings												
Gas cooktop electrical rating	120V, 60Hz, 5A											
Burners (000's/BTU's):	(1) 15.0/14.0 (1) 11.0/10.0 (1) 9.1/8.1 (2) 6.0/6.0	(1) 15.0/14.0 (1) 11.0/10.0 (1) 9.1/8.1 (2) 6.0/6.0	(1) 15.0/14.0 (1) 11.0/10.0 (1) 9.1/8.1 (1) 6.0/6.0	(1) 15.0/14.0 (1) 11.0/10.0 (1) 9.1/8.1 (1) 6.0/6.0	(1) 12.0/9.4 (2) 9.5/7.0 (2) 5.0/4.0	(1) 12.0/9.4 (2) 9.5/7.0 (2) 5.0/4.0	(1) 12.0/9.4 (2) 9.5/7.0 (1) 5.0/4.0	(1) 12.0/9.4 (2) 9.5/7.0 (1) 5.0/4.0	(3) 9.1/8.1 (1) 6.0/6.0	(3) 9.1/8.1 (1) 6.0/6.0	(3) 9.1/8.1 (1) 6.0/6.0	(4) 9.1/8.0

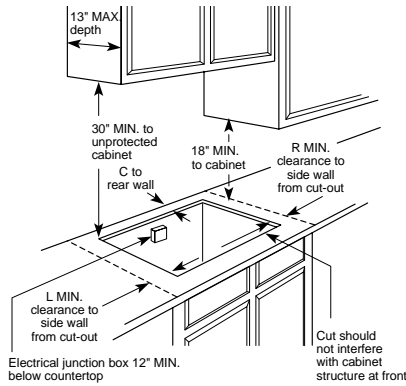
*SS = Stainless Steel, WW = White on white, CC = Bisque on bisque, BB = Black on black, WH = White, BL = Black.

†A set of LP orifices is included with each cooktop for LP conversion. Factory set for natural gas.

Cooktop Dimensions (in inches)



Counter Installation Dimensions (in inches)



Installation Information: Before installing, consult installation instructions packed with product for current dimensional data.

Dimensions (in inches)

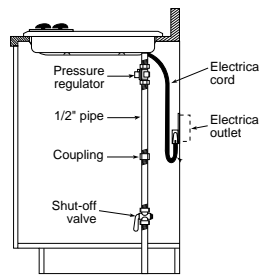
Model	Overall			Cutout		Minimum Spacing To Nearest Combustible Wall			To Edge of Front Counter	
	W	D	H	A	B	C	L	R	F	
JGP963	36	21	3-3/16	33-7/8	19-1/8	2-1/4	3-3/4	3-3/4	2-1/2	
JGP933	30	21	3-3/16	28-1/2	19-5/8	2-1/4	3-3/4	3-3/4	2-1/2	
JGP962	36	20-7/16	3-1/16	33-7/8	19-1/8	2-1/4	3-3/4	3-3/4	2-1/2	
JGP932	29-3/4	21	3-3/16	28-1/2	19-5/8	2-1/4	3-3/4	3-3/4	2-1/2	
JGP960	36	21	3-1/16	33-7/8	19-1/8	2-1/4	3-3/4	3-3/4	2-1/2	
JGP636	36	21	3-1/16	33-7/8	19-1/8	2-1/4	3-3/4	3-3/4	2-1/2	
JGP628	36	21	3-3/16	33-7/8	19-1/8	2-1/4	3-3/4	3-3/4	2-1/2	
JGP930	30	21	2-1/2	28-1/2	19-5/8	2-1/4	3-3/4	3-3/4	2-1/2	
JGP336	30	21	2-1/2	28-1/2	19-5/8	2-1/4	3-3/4	3-3/4	2-1/2	
JGP328	30	21	3-3/16	28-1/2	19-5/8	2-1/4	3-3/4	3-3/4	2-1/2	
JGP326	30	21	2-1/2	28-1/2	19-5/8	2-1/4	3-3/4	3-3/4	2-1/2	
JGP320	30-1/4	21-1/4	3-9/32	28-1/2	19-5/8	1-3/4	3	3	3-1/4	

*Allow 5-3/4" depth at rear for electrical and gas connections.

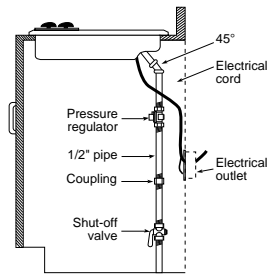
Note: All gas cooktop models require 7/16" free area below cooktop height to combustible material. 0" clearance is required between left and right sides of cooktop below countertop. Requires 18" minimum from countertop to adjacent overhead cabinets.*
*AGA requirement.

Note: If installing with a GE Profile Telescopic Downdraft System, consult both cooktop and downdraft installation instructions packed with product before installing. Cooktop gas/electric supply may need to be re-routed to install downdraft.

Gas Connection Models JGP963/962/636/628



Gas Connection Models JGP933/932/336/328/326/320



Installation With Single Wall Oven Information:

30" Gas Cooktops are approved for use over GE 27" Wall Ovens. 36" and 30" Gas Cooktops are approved for use over 30" Wall Ovens. Refer to cooktop and wall oven installation instructions packed with product for current dimensional data.

Optional Gas Range Wok Accessory (Available at additional cost)

JXWK = Wok accessory holder sits on top of maximum burner grate to hold a **round-bottom** wok. For use with JGP960/930/636/336 models only.
JXWK2 = Wok accessory holder sits on top of maximum burner grate to hold a **round-bottom** wok. For use with JGP963/933/962/932 models only.

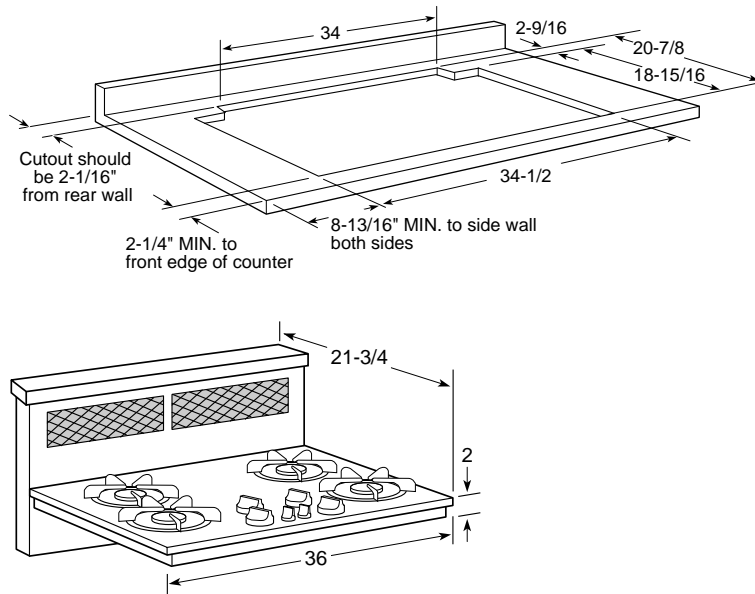


Integrated Downdraft Gas Cooktop

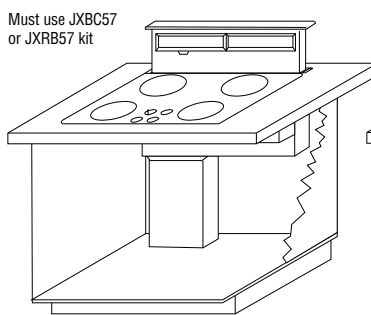
	GE Profile
	JGP656WB JGP656BB
Features	
Cooktop burners	Sealed
Electronic pilotless ignition	●
Tempered glass cooktop	White Black
Burner grates	4
Downdraft exhaust (CFM)	350
Optional blower mount capabilities	●
3-1/4" x 10" rectangular duct	●
6" round duct	●
Upfront variable-speed fan control	●
Removable grease filters	●
Appearance	
Color appearance*	WW BB
Upfront controls	●
Telescopic cover plate	White Black
Telescopic snorkel assembly	Black
Weights & Dimensions	
Cooktop width (in inches)	36
Overall dimensions (WxD in inches)	36 x 22-1/4
Approx. shipping weight (lbs.)	48
Power/Ratings	
Gas cooktop electrical rating	120V, 60Hz, 15A
Burners (000's/BTU's):	(1) 12.0/11.0
Natural Gas/LP Gas	(2) 9.5/9.5 (1) 5.0/5.0

*WW = White on white, BB = Black on black.
IMPORTANT: Cooktop is shipped separately. JXBA56BB or JXBA56WW (motor, blower and downdraft housing assembly required. Must be ordered with cooktop.)
JXLP56 LP Conversion Kit. LP orifices for LP conversion. Factory set for natural gas.
JXBC57 Outdoor Cover. Optional accessory may be ordered for installation of motor and blower assembly on outside wall.
JXRB57 Remote Installation Kit. Optional accessories may be ordered for installation below the floor.
 A minimum 36" side-to-side undercounter clearance is required for ease of installation.
 Unit is furnished with a 4-foot, 110V electric cord.

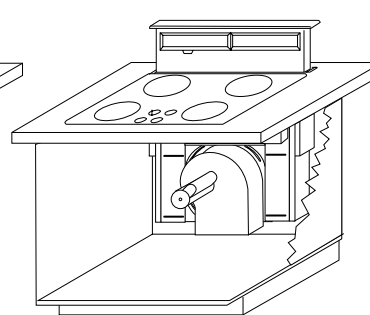
Downdraft Gas Cooktops Dimensions (in inches)



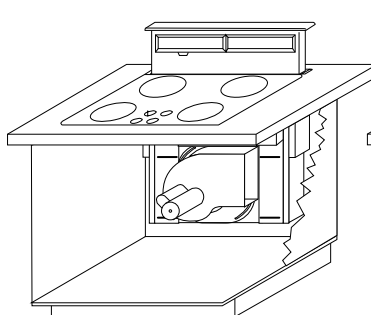
Venting Options (Through the Floor)



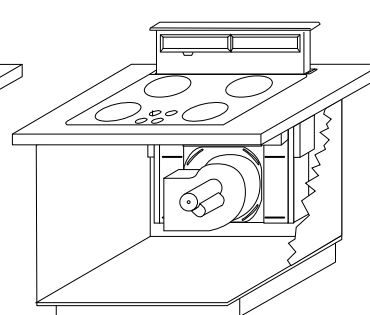
In Cabinet Discharge (Down)



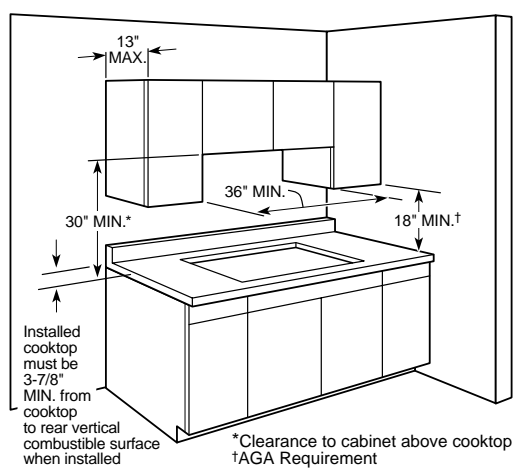
In Cabinet Discharge (Right)



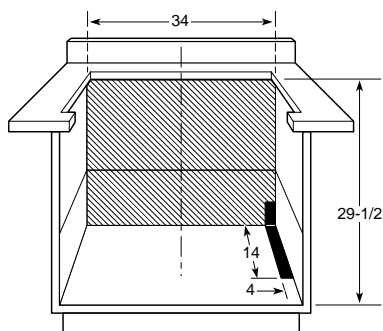
In Cabinet Discharge (Left)



Cabinet Requirements Dimensions (in inches)



Gas and Electrical Supply Location Dimensions (in inches)



Gas and Electrical Supply Location
 The gas supply pipe and the electrical supply receptacle entering the cabinet should not be positioned as shown in the shaded areas. The cooktop is equipped with a 4' power supply cord and should reach any desired location on cabinet walls.

Installation Information: Before installing, consult installation instructions packed with product for current dimensional data.

See page 156 for warranty information.



Refrigeration
 Cooking Products
 Microwave Ovens
 Dishwashers
 Clothes Care
 Water Systems
 Air Conditioning

Select-Top™ Modular Downdraft Cooktops

GE®	
Dual Modular	
JP389WD JP389BD	
Features	
Configuration	Dual Modular
Cooktop finish	White Porc.-Enam. Black Porc.-Enam.
Infinite heat controls	Rotary
Heating element "ON" indicator light	●
Downdraft exhaust (CFM)	400
Three-speed downdraft vent fan	●
Appearance	
Color appearance*	WW BB
Weights & Dimensions	
Cooktop width (in inches)	30
Approx. shipping weight (lbs.)	72
Power/Ratings	
Amps @ 240V	40
KW rating @ 240V	8.0
Accessories	
Ribbon heating elements (one 8" and one 6")	JXDR50VW JXDR50VB
Coil heating elements (one 6", one 8" element with removable one-piece bowls)	JXDC44RWH JXDC43RBL
Grill Module†	JXDL44N
Griddle Accessory	JXDD44R
Grill Cover	JXDM3 JXDM2

*WW = White on white, BB = Black on black.

†Grill Module includes coil heating element, one-piece grill grate, and porcelain reflector pan.

Cooktop Options

Modules are not included with the cooktop. They must be purchased separately. GE lets you customize your cooktop with flexible modules to suit your taste. These optional versatile modules—*Grill, Coil, Ribbon, Griddle Opening Accessory and Grill Cover*—are available at additional cost. Simply plug the modules you want into either side of the cooktop (single modular cooktops accept modules on left side only) and unplug them for easy cleaning and storage.

Grill Module, JXDL44N

Includes front/rear controlled heating element, one-piece grill grate, and porcelain-enameled reflector pan.

Griddle Accessory, JXDD44R (Use with optional Grill Module.)

Place over heating element and reflector pan from optional grill module. Griddle accessory has a non-stick coating and is self-draining.

Ribbon Modules

Patterned glass top with one 8" and one 6" ribbon heating element
JXDR50VW—White on white, JXDR50VB—Black on black

Coil Modules

One 8" and one 6" plug-in heating element with one-piece bowls
JXDC43RBL—Black porcelain-enameled, JXDC44RWH—White porcelain-enameled

JXCK89 Electrical Connection Kit

Optional accessory kit for JP389 downdraft cooktop only, includes junction box and conduit.

Wall Installation

Wall installations require 25" countertop depth. When cabinet is flush against the wall, the fan housing can be rotated to the horizontal position for direct venting through rear wall. Make a countertop cutout that is centered in the range cabinet according to unit dimensions and installation type. Duct hole is positioned in back of cabinet for through-the-wall ducting.

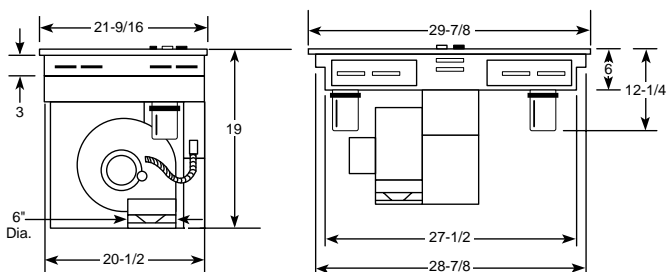
Peninsula or Island Installation

For peninsula/islands a minimum 26" countertop depth is suggested. Blower should be in vertical position. Island or peninsula cabinets may require adjustment in cutout depth and/or location within the width dimensions. Duct hole is positioned in bottom of cabinet for island or peninsula installation.

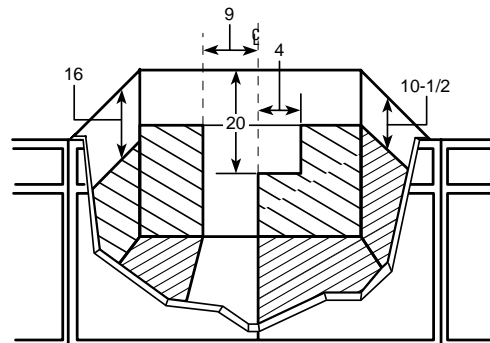
Slab Installation

For peninsula or island installation and rear wall ducting, **PVC duct or locally approved piping should be used if installing under a poured concrete slab.**

Built-In Downdraft Cooktops Dimensions (in inches)

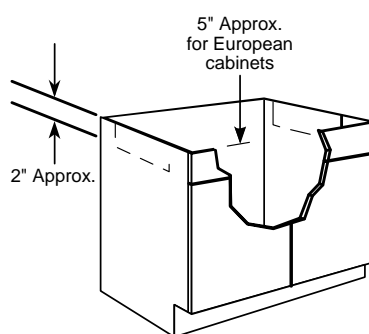


Cabinet Dimensions (in inches)



Receptacle Location

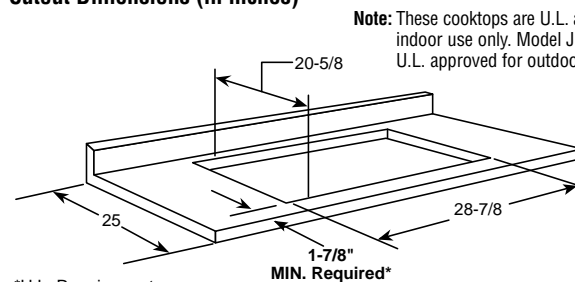
Install an approved junction box within shaded area shown in diagram. Junction box must be at least 10-1/2" below top of cabinet.



Preparing the Cabinet for Installation

In some cabinets, the sides may need to be scooped or cut down 2" as shown (right) and the corner braces removed in order to accommodate the cooktop.

Cutout Dimensions (in inches)



Note: These cooktops are U.L. approved for indoor use only. Model JP380BV is U.L. approved for outdoor use only.

*U.L. Requirement.

Note: A 6" minimum spacing to adjacent side wall is required

Installation Information: Before installing, consult installation instructions packed with product for current dimensional data.

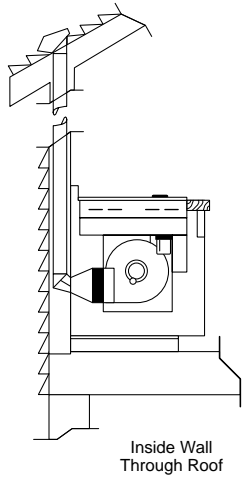
See page 156 for warranty information.

196

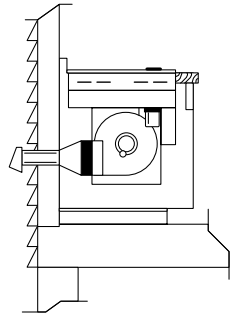


Select-Top™ Modular Downdraft Cooktops (continued)

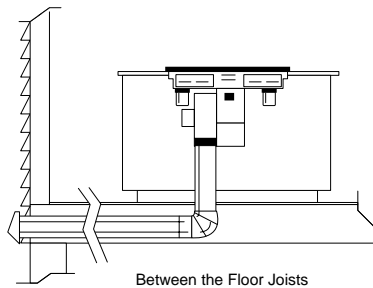
Venting Options



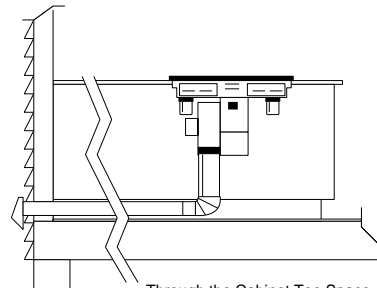
Inside Wall Through Roof



Direct to Outside Straight Duct



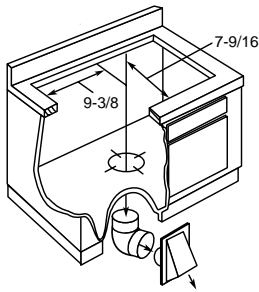
Between the Floor Joists



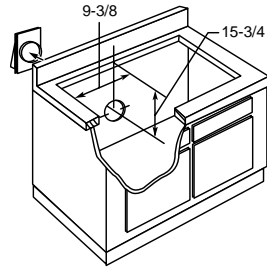
Through the Cabinet Toe Space

Note: Ductwork must be vented to outside. Do not vent into a wall, ceiling, crawl space, attic or any concealed space. Always use an appropriate roof or wall cap with damper. **Laundry-type wall caps should never be used.** For maximum efficiency use the shortest and straightest duct run possible, with as few fittings as possible. For satisfactory performance the duct run should not exceed 100 feet equivalent length. Refer to the table of equivalent lengths (shown in Pub. No. 49-8552) for various duct configurations.

Downward Venting (in inches)



Rear Wall Venting (in inches)



Installing the Ductwork

Use minimum 26-gauge galvanized or 24-gauge aluminum duct in 6" round or 3-1/4" x 10" size, or combination of both. **PVC duct or locally approved piping should be used if installing under a poured concrete slab.**

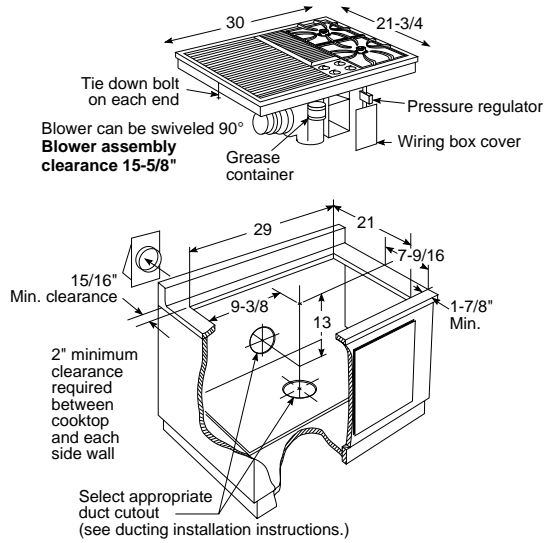
Built-In Downdraft Gas Modular Cooktops

	GE Profile™
	JGP979SEF JGP979WEF JGP979BEF
Features	
Configuration	Single modular
Cooktop surface	Stainless steel Porcelain Porcelain
Cooktop grates	Black porcelain-coated cast iron
Accepts modules	Left side
Gas cooktop burner module (right side)	2 Sealed
Electronic pilotless ignition	●
Downdraft vent fan	●
Downdraft exhaust (CFM)	375
Appearance	
Color appearance	Stainless steel White on white Black on black
Upfront controls	●
Weight & Dimensions	
Cooktop width (in inches)	30
Overall dimensions (W x D in inches)	30 x 21-3/4
Approx. shipping weight (lbs.)	76
Power/Ratings	
Gas cooktop electrical rating	120V, 60Hz, 15A
BTU's (000's)	Right side (burners) 10.0
Natural gas*	Grill Unit 8.0

*JGP979 cooktop is factory set for natural gas. It is not LP convertible.
Note: Shipped with sealed gas burner module, right side. Left side accepts optional modules that must be ordered and are available at additional cost.



Installation Information (in inches)



Optional Modules (Available at additional cost)

Two-Burner Gas Module (sealed burners)— JXGB79W—White on white JXGB79B—Black on black	Gas Grill Module—JXGG79 Griddle—JXGL89 (use with optional Grill module)	Grill Cover— JXGC89W—White on white JXGC89B—Black on black
---	---	--

Installation Information: Before installing, consult installation instructions packed with product for current dimensional data.

See page 156 for warranty information.



30" Slide-In Electric Ranges

Features	GE Profile™			GE®		
	JS968SF JS968TF JS968KF JS968BF	JSP57WF JSP57CF JSP57BF	JSP47WF JSP47CF JSP47BF	JSP34WD JSP34CD JSP34BD	JSP26BD	JSS26BD JSS16PD
Self-clean oven w/Delay clean option	●	●	●	●	●	Standard Clean
Light self-clean option	●	●	●	●	●	
Variable cleaning time	●	●	●	●	●	
Automatic self-clean oven door lock	●	●	●	●	●	
Oven racks	3 Heavy-Duty	3	2	2	2	2
CleanDesign oven/hidden bake element	●	●	●	●	●	
TrueTemp™ system	●	●	●	●	●	
Variable broil/Six-pass broil element	●	●	●	●	●	
Ceramic-glass cooktop	Patterned Black True White True Bisque Patterned Black	Patterned White Patterned Bisque Patterned Black	Patterned White Patterned Bisque Patterned Black			
Overhanging cooktop	●	●	●	●	●	●
Dual 6/9" heating element	1 Ribbon (2500W)	1 Ribbon (2500W)	1 Ribbon (2500W)			
8" heating elements			2 Ribbon (2000W)			
7" heating elements	2 Ribbon (1800W)	2 Ribbon (1800W)				
Bridge element	1 Ribbon (800W)	1 Ribbon (800W)				
Total wattage	4400W	4400W				
6" heating element	1 Ribbon (1500W)	1 Ribbon (1500W)	1 Ribbon (1500W)	2 Plug-In	2 Plug-In	2 Plug-In
Warming zone	1 Ribbon (120W)					
Infinite heat controls	●	●	●	●	●	●
Precise Air™ Convection System	●	●	●	●	●	●
Convection bake	Multi/Single-rack	●	●	●	●	●
Convection roast	●	●	●	●	●	●
Auto Recipe™ Conversion	●	●	●	●	●	●
SmartSet controls	Glass touch	●	●	●	●	●
Proof mode	●	●	●	●	●	●
Warm mode	●	●	●	●	●	●
Oven meat probe	●	●	●	●	●	●
Optional closed door broiling	●	●	●	●	●	●
Temperature display	●	●	●	●	●	●
Start pad	●	●	●	●	●	●
Delay Bake option w/Cook & Hold	●	●	●	●	●	●
C° or F° programmable	●	●	●	●	●	●
Audible preheat signal	●	●	●	●	●	●
Auto oven shut-off w/override	●	●	●	●	●	●
Control lock capability	●	●	●	●	●	●
Electronic clock/kitchen timer	●	●	●	●	●	●
Hot surface indicator lights	4	4	4	●	●	●
Heating element "ON" indicator light	●	●	●	●	●	●
Certified Sabbath mode	●	●	●	●	●	●
Interior oven light	Halogen	●	●	●	●	●
Storage drawer	Stainless White Bisque Black	White Bisque Black	White Bisque Black	White Bisque Black	CM*	Black CM*
Broiler pan with grid	●	●	●	●	●	●
Roasting rack	●	●	●	●	●	●
Convection cookbook	●	●	●	●	●	●
Appearance						
Color appearance*	SS WW CC BB	WW CC BB	WW CC BB	WW CC BB	WH/CT	BB WH/CT
Frameless glass oven door*	Stainless White Bisque Black	White Bisque Black	White Bisque Black	White Bisque Black	CM*	Black Painted
Oven door with window	Big ClearView™	Big ClearView™	Big ClearView™	●	●	●
Oven door handle	Sculptured Stainless-look Sculptured White Sculptured Bisque Sculptured Black	Sculptured White Sculptured Bisque Sculptured Black	Sculptured White Sculptured Bisque Sculptured Black	White Bisque Black	Black	Black Painted
Weights & Dimensions						
Overall oven interior dimensions (WxHxD in inches)	24 x 16-1/4 x 18-1/8	24 x 16-1/4 x 18-1/4	24 x 17-1/2 x 18-1/4	22-3/4 x 15-3/4 x 17	22-3/4 x 15-3/4 x 17	22-3/4 x 15-3/4 x 17
Approx. shipping weight (lbs.)	205	200	200	175	175	160
Power/Ratings						
KW rating @ 240V	12.1	12.0	11.6	10.8	10.8	10.8
208V	9.1	9.0	8.7	8.1	8.1	8.1
Amps @ 240V	40	40	40	40	40	40
208V	40	40	40	40	40	40
Convection Wattage	2500	2500				
Broiler/Bake Wattage	3600/2700	3600/2700	3600/3400	3400/2585	3400/2585	3400/2585

*SS = Stainless steel with black accents, WW = White with white glass door, CC = Bisque with bisque glass door, BB = Black with black glass door, WH = White with black glass door, CT = Bisque with black glass door, CM = Color-Matched indicates color of drawer matches range cooktop (either white or bisque)



Note: Cabinets installed adjacent to slide-in electric ranges must have an adhesion spec of at least a 194°F temperature rating.

Note: All 30" Slide-In Ranges conform to U.L. requirements for 0" spacing from range to adjacent walls below countertop. To reduce possibility of scorching the side walls above the countertop when no load is present on burners, it is recommended that a minimum 6" spacing from adjacent side wall be allowed for possible extended high-heat element operation.

Receptacle Locations: For all 30" Slide-In Ranges locally approved flexible service cord or conduit must be used because terminals are not accessible after range installation. See shaded area in drawing for location of electrical outlet box. Recommended outlet locations allow range to be installed directly against rear wall.

Installation Information: Before installing, consult installation instructions packed with product for current dimensional data.



All GE ranges are equipped with an Anti-Tip device. The installation of this device is an important, required step in the installation of the range.



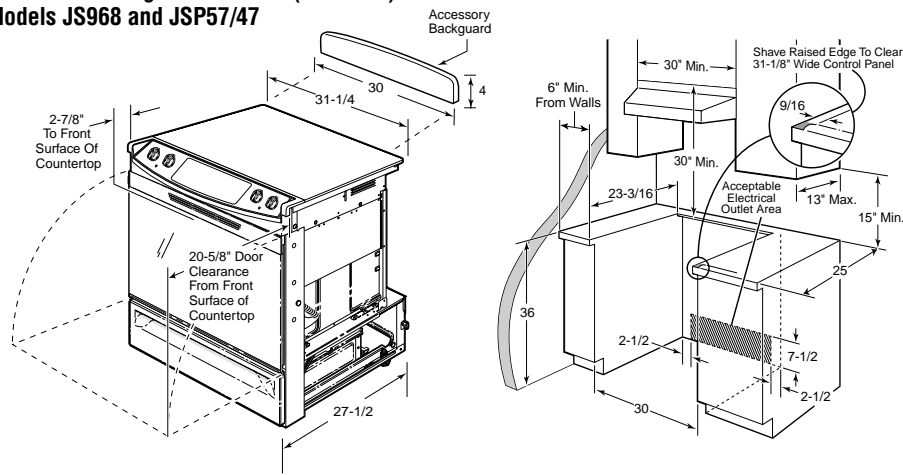
Listed by Underwriters Laboratories

See page 156 for warranty information.



30" Slide-In Electric Ranges (continued)

30" Slide-In Range Dimensions (in inches) Models JS968 and JSP57/47



Optional Kits for Slide-In Electric Ranges (Models JS968, JSP57 and JSP47) (Available at additional cost)

Accessory Backguards

(Attaches to the back of range as a backguard when unit is installed in 30" free-standing cutout)

- JXS39SS—Stainless
- JXS36WW—White
- JXS36CC—Bisque
- JXS36BB—Black

Body Sides

(Slide-in ranges are sold without sides installed. Can be installed on either left or right when unit has one exposed side [no cabinet adjacent]. Kit contains 1 body side)

- JXS76WW—White
- JXS76CC—Bisque
- JXS76BB—Black

Vertical Side Trim Kits

(If cabinet cutout width is more than 30", a vertical side trim kit may be used to close the gap between the range and cabinet)

- JXS86WW—White
- JXS86CC—Bisque
- JXS86BB—Black

Optional Lower Trim Kits

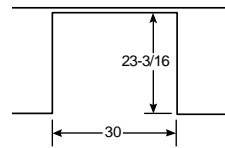
(If counter height is greater than 36.5", a lower trim kit is recommended to extend the useful height to 38" maximum)

- JXS56WW—White
- JXS56CC—Bisque
- JXS56BB—Black

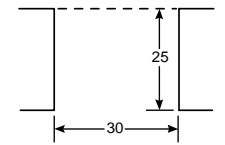
Optional Top Filler Kits

- JXS66BB—Black
- JXS66CC—Bisque
- JXS66WW—White

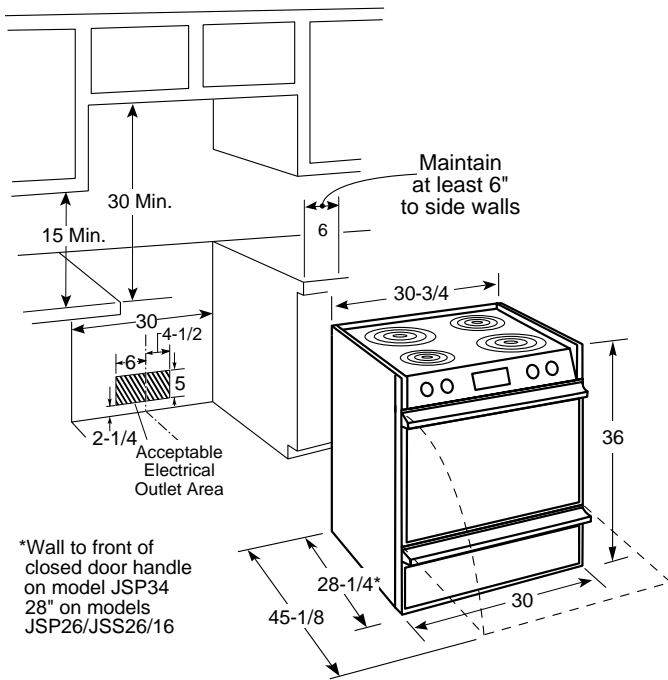
If you are NOT using the optional Filler or Backguard:



If you are using the optional Filler or Backguard:



30" Slide-In Range Dimensions (in inches) Models JSP34/26 and JSS26/16



*Wall to front of closed door handle on model JSP34 28" on models JSP26/JSS26/16

Note: Range may be placed with 0" clearance (flush) at the back wall and side walls if the range side trims extend beyond the cabinet fronts at least 1/4" (self-clean models only).

Optional Kits for Slide-In Electric Ranges (Models JSP34/26 and JSS26/16) (Available at additional cost)

Models shown are shipped with rear filler strip kit.

Rear Filler Strip Kit

- JXS28—Rear Filler Strip Kit (Brushed-chrome)

Accessory Backguards

- JXS31—White Accessory Backguard
- JXS32—Brushed-Chrome Accessory Backguard
- JXS34—Black Accessory Backguard
- JXS35—Bisque Accessory Backguard

Endcap Kit

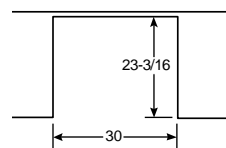
- JXS40—Endcap kit to accommodate replacement where countertop may already be notched.

Lower/Side Trim Kits

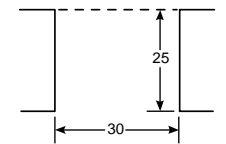
(If countertop height is greater than 37", it is recommended to use a lower trim kit.)

- JXS52BB—Lower trim (Black)
- JXS53WW—Lower trim (White)
- JXS55CC—Lower trim (Bisque)
- Pub. No. 3-A040—Vertical Side Trim Kit (Brushed-Chrome)

If you are NOT using the optional Filler or Backguard:



If you are using the optional Filler or Backguard:



See page 156 for warranty information.



30" Slide-In Gas Ranges

	GE Profile™			GE®	
	Dual-Fuel	Gas	Gas	Gas	Gas
	J2S968SH J2S968TH J2S968KH J2S968BH	JGS968SH JGS968TH JGS968KH JGS968BH	JGSP48WH JGSP48CH JGSP48BH	JGSP23WEY JGSP23BEY	JGSS05BEA
Features					
Self-clean oven w/Delay clean option	•	•	•	•	Standard-Clean
Light self-clean option	•	•	•		
Variable cleaning time	•	•	•	•	
Automatic self-clean oven door lock	•	•	•	•	
Oven racks	3 Heavy-Duty	3 Heavy-Duty	2 Heavy-Duty	2	
CleanDesign oven/hidden bake element	•	•	•		
TrueTemp™ system					
Cooktop	Black Glass True White Glass True Bisque Glass Black Glass	Black Glass True White Glass True Bisque Glass Black Glass	Patterned White Glass Patterned Bisque Glass Black Glass	White Porc. Enamel Black Porc. Enamel	Black Porcelain Enamel
Overhanging cooktop	•	•	•		
Cooktop burners	Sealed	Sealed	Sealed	Sealed	Sealed
Power Boil™ Burner	(1) 15,000 BTU/ 180° Simmer	(1) 15,000 BTU/ 180° Simmer			
High Output burner (Nat.)	(1) 11,000 BTU/ 150° Simmer	(1) 11,000 BTU/ 150° Simmer	(2) 11,000 BTU/ 150° Simmer		
Precise Simmer burner (Nat.)	(1) 6,000 BTU/ 140° Simmer	(1) 6,000 BTU/ 140° Simmer	(1) 6,000 BTU/ 140° Simmer		
All-purpose burners (Nat.)	(1) 9,100 BTU/ 150° Simmer	(1) 9,100 BTU/ 150° Simmer	(1) 9,100 BTU/ 150° Simmer		
Cooktop grates	Matte Black Hvy-Cast Grey Hvy-Cast Taupe Hvy-Cast Black Hvy-Cast	Matte Black Hvy-Cast Grey Hvy-Cast Taupe Hvy-Cast Black Hvy-Cast	Grey Taupe Black	Grey Standard Cast Black Standard Cast	Black Standard Porcelain Steel
Continuous grates	•	•	•		
One-piece drip pans				Porc.-Enameled	
Ignition system	Electronic	Electronic	Electronic	Electronic	Electronic
Infinite heat controls	•	•	•		
Precise Air™ convection system	•	•	•		
Convection bake	Single-/Multi-Rack	•			
Convection roast	•	•			
Auto Recipe™ conversion	•	•			
Electronic controls	Glass touch	Glass touch	•	•	
Proof mode	•	•			
Warm mode	•	•			
Oven Meat probe	•	•			
Optional closed door broiling	•	•			
Temperature display	•	•	•	•	
Delay Bake option	•	•	•	•	
C° or F° programmable	•	•	•	•	
Audible preheat signal	•	•	•	•	
Auto oven shut-off w/override	•	•	•	•	
Control/Cooktop lock capability	•	•	Control		
Electronic clock/kitchen timer	•	•	•	•	
Certified Sabbath mode	•	•	•		
Interior oven light	Halogen	Halogen	•	•	•
	Stainless Steel White Bisque Black	Stainless Steel White Bisque Black	White Bisque Black	White Black	
Storage drawer					
Slide-out broiler drawer					•
Broiler pan with grid	•	•	•	•	•
Roasting rack	•	•			
Convection cookbook	•	•			
Appearance					
Color appearance	SS WW CC BB	SS WW CC BB	WW CC BB	WW BB	BB
Frameless oven door	Stainless Steel White Glass Bisque Glass Black Glass	Stainless Steel White Glass Bisque Glass Black Glass	White Glass Bisque Glass Black Glass	White Glass Black Glass	Black Glass
Oven door with window	Big ClearView™	Big ClearView	Big ClearView	•	•
Sculptured oven door handle	•	•	•		
Weights & Dimensions					
Overall oven interior dimensions (WxHxD in inches)	24 x 16-1/4 x 18-1/4	24 x 16-1/4 x 18-1/4	22-3/4 x 13 x 17	22-3/4 x 13 x 17	24 x 17 x 19
Approx. shipping weight (lbs.)	225	220	215	192	165
Power/Ratings					
Top burners (000's BTU's) Nat/LP	(1) 15.0/13.0 (1) 11.0/9.1 (1) 6.0/6.0 (1) 9.1/8.0	(1) 15.0/13.0 (1) 11.0/9.1 (1) 6.0/6.0 (1) 9.1/8.0	(2) 11.0/9.1 (1) 6.0/6.0 (1) 9.1/8.0	(3) 9.5/7.0 (1) 5.0/4.0	(4) 9.0/8.0
Range electrical rating	240v/208v, 60Hz/40A	120v, 60Hz, 5A	120v, 60Hz, 5A	120v, 60Hz, 5A	120v, 60Hz, 5A
Convection Wattage	2,500				
Broiler/Bake Wattage/BTU	3,600/2,700 watts	15,000/17,000 BTU	15,000/17,000 BTU	16,000/16,000 BTU	16,000/16,000 BTU
LP conversion kit (included)	•	•	•	•	•

SS = Stainless steel with black accents, WW = White with white glass door, CC = Bisque with bisque glass door, BB = Black with black glass door
Factory set for Natural Gas. A set of LP orifices is included with each range for LP conversion.

200 See page 156 for warranty information.

Optional Kits for Slide-In Gas Ranges:
(Available at additional cost on all models except JGSS05BEA)

Rear Filler Strip Kits

Model JGSP23 is shipped with required "vented" rear filler strip.

Lower/Side Trim Kits

JXS2BB—Lower Trim Kit (Black)
JXS3WW—Lower Trim Kit (White)
JXS5CC—Lower Trim Kit (Bisque)
Pub. No. 3-A040 Vertical Side Trim Kit (Brushed-Chrome)

Accessory Backguards

JXS31—White Accessory Backguard
JXS32—Brushed-Chrome Accessory Backguard
JXS34—Black Accessory Backguard
JXS35—Bisque Accessory Backguard

Endcap Kit

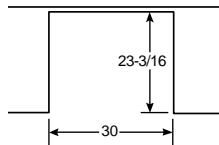
JXS40—Endcap kit to accommodate replacement where countertop may already be notched.

Optional Gas Range Wok Accessory

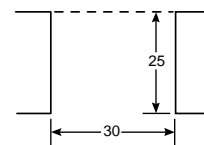
(Available at additional cost)
JXWK = Wok accessory holder sits on top of burner grate to hold a round-bottom wok.

Counter Cutout Dimensions (in inches) Models J2S968, JGS968, JGSP48 and JGSP23

If you are NOT using the optional Filler or Backguard:

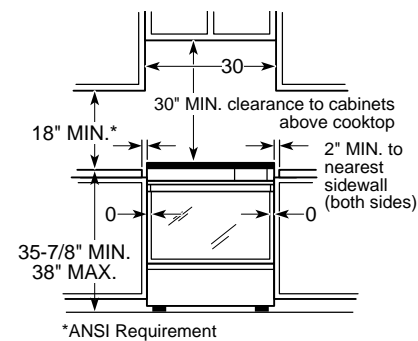


If you are using the optional Filler or Backguard:



You must use the rear filler strip kit shipped with the range or the optional accessory backguard (JXS31, JXS32, JXS33, JXS34) when installing these ranges.

Note: Cabinets installed adjacent to slide-in ranges must have an adhesion spec of at least 194°F temperature rating.



All GE ranges are equipped with an Anti-Tip device. The installation of this device is an important, required step in the installation of the range.

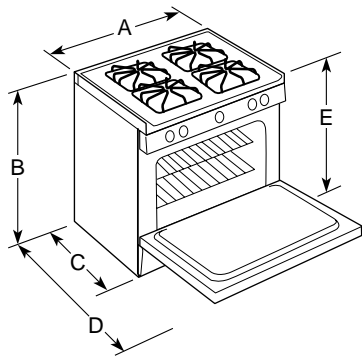


Listed by Underwriters Laboratories



30" Slide-In Gas Ranges (continued)

30" Slide-In Gas Ranges Dimensions (in inches) Models J2S968, JGS968, JGSP48 and JGSP23



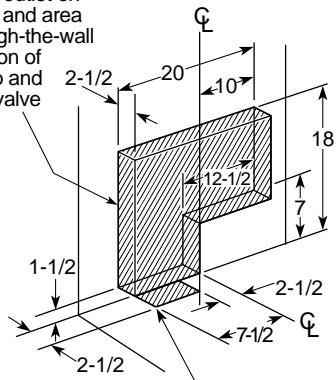
Dimensions (in inches)

Model	A*	B	C**	D	E
J2S968	30	38	28	44-3/4	35-3/4 to 36-1/2
JGS968	30	38	28	44-3/4	35-3/4 to 36-1/2
JGSP48	30	38	28	44-3/4	35-3/4 to 36-1/2
JGSP23	30	36-1/4	28-7/8	45-1/8	35-7/8 to 38

*Cooktop width including overhang 30-3/4".
 **Depth including handle:
 25-1/2"—Wall to front of closed oven door
 26-1/4"—Depth to front top edge of control panel

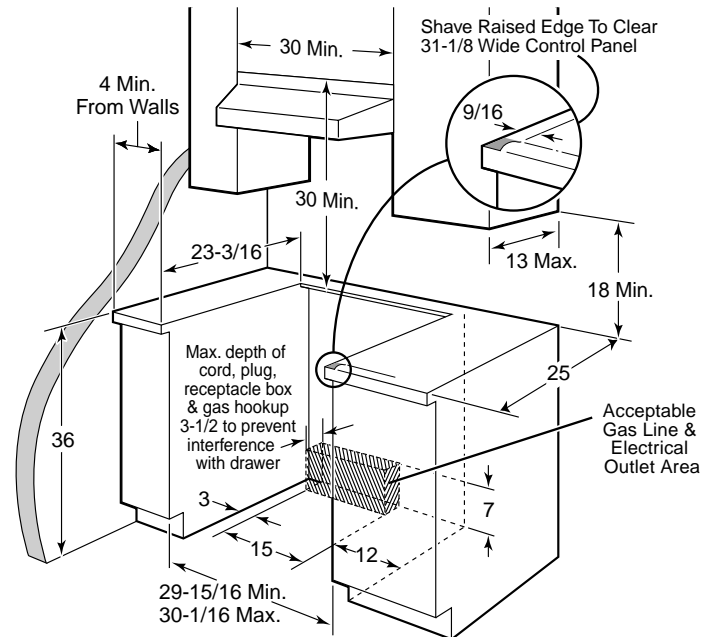
Model JGSP23

Recommended area for 120V outlet on rear wall and area for through-the-wall connection of pipe stub and shut-off valve

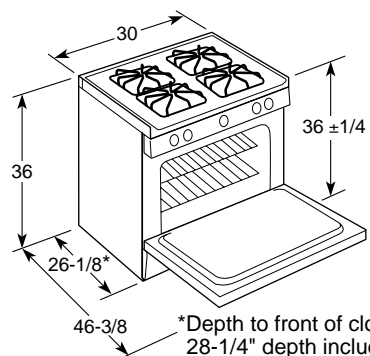


Recommended area for through-the-floor connection of pipe stub and shut-off valve

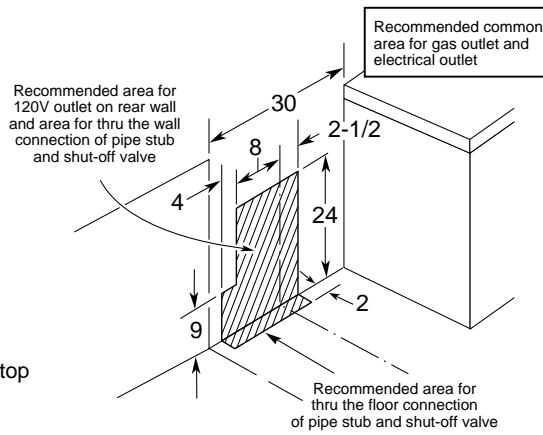
Models J2S968, JGS968 and JGSP48



30" Slide-In Gas Range Dimensions (in inches) Model JGSS05



*Depth to front of closed oven door
 28-1/4" depth including handle
 25-1/4" depth to front top edge of cooktop



Installation Information: Before installing, consult installation instructions packed with product for current dimensional data.

See page 156 for warranty information.



30" Drop-In Electric Ranges

Features	GE Profile™		GE®		
	JD968SF JD968TF JD968KF JD968BF	JDP47WF JDP47CF JDP47BF	JDP39WW JDP39BW	JDP36BW JDP36BD	JDS26BW JDS26BD
Self-clean oven w/Delay clean option	●	●	●	●	Standard-clean
Light self-clean option	●	●			
Variable cleaning time	●	●			
Automatic self-clean oven door lock	●	●	●	●	
Oven racks	3 Heavy-Duty	2	2	2	2
CleanDesign oven/hidden bake element	●	●			
TrueTemp™ system	●	●			
Variable broil/Six-pass broil element	●	●			
Ceramic-glass cooktop	Patterned Black True White True Bisque Patterned Black	Patterned White Patterned Bisque Patterned Black			
Dual 6/9" heating element	1 Ribbon (2500W)	1 Ribbon (2500W)			
8" heating elements		2 Ribbon (2000W)	2 Plug-In	2 Plug-In	2 Plug-In
7" heating elements	2 Ribbon (1800W)				
Bridge element	1 Ribbon (800W)				
Total wattage	4400W				
6" heating element	1 Ribbon (1500W)	1 Ribbon (1500W)	2 Plug-In	2 Plug-In	2 Plug-In
Warming zone	1 Ribbon (120W)				
Infinite heat controls	●	●	●	●	●
Precise Air™ convection system	●				
Multi-rack convection bake	●				
Single rack convection bake	●				
Convection roast	●				
Auto Recipe™ conversion	●				
SmartSet controls	Glass Touch	●	●	●	●
Proof mode	●				
Warm mode	●				
Oven meat probe	●				
Temperature display	●	●	●	●	●
Delay Bake option	●	●	●	●	●
C° or F° programmable	●	●	●	●	●
Audible preheat signal	●	●	●	●	●
Auto oven shut-off w/override	●	●	●	●	●
Control lock capability	●	●	●	●	●
Electronic clock/kitchen timer	●	●	●	●	●
Hot surface indicator lights	4	4			
Heating element "ON" indicator light	●	●	●	●	●
Certified Sabbath mode	●	●			
Interior oven light	Halogen	●	●	●	●
Broiler pan with grid	●	●	●	●	●
Roasting rack	●				
Appearance					
Color appearance*	SS WW CC BB	WW CC BB	WW BB	WH CT	WH CT
Frameless glass oven door*	Stainless White Bisque Black	White Bisque Black	White Black	Black	Black
Oven door with window	Big ClearView™	Big ClearView	●	●	●
Oven door handle	Sculptured Stainless-look Sculptured White Sculptured Bisque Sculptured Black	Sculptured White Sculptured Bisque Sculptured Black	White Black	Black	Black
Convection cookbook	●				
Weights & Dimensions					
Overall oven interior dimensions (WxHxD in inches)	24 x 16-1/4 x 18-1/4	24 x 17-1/2 x 18-1/4	22-3/4 x 15-3/4 x 17	22-3/4 x 15-3/4 x 17	22-3/4 x 15-3/4 x 17
Approx. shipping weight (lbs.)	175	170			
Power/Ratings					
KW rating @ 240V	12.1	11.6	11.6	11.6	11.6
208V	9.1	8.7	8.7	8.7	8.7
Amps @ 240V	40	40	40	40	40
208V	40	40	40	40	40
Convection Wattage	2500				
Broiler/Bake Wattage	3600/2700	3600/3400	3400/2585	3400/2585	3400/2585

*SS = Stainless steel with black accents, WW = White with white glass door, CC = Bisque with bisque glass door, BB = Black with black glass door, WH = White with black glass door, CT = Bisque with black glass door

Optional Kits For JD968/JDP47 Electric Ranges (Available At Additional Cost)

Maintop Filler

(Fills gap between cooktop and wall when unit is installed in 30" free-standing cutout)
JXS66WW—White
JXS66CC—Bisque
JXS66BB—Black

Accessory Backguards

(Attaches to the back of range as a backguard when unit is installed in 30" free-standing cutout)
JXS39SS—Stainless
JXS36WW—White
JXS36CC—Bisque
JXS36BB—Black

Lower Trim Kits

(When a drop-in is installed in an existing cutout greater than 27-1/4" from the counter to the cabinet cross-rail, a lower trim kit should be used to fill the gap at the bottom of the range)
JXS96WW—White
JXS96CC—Bisque
JXS96BB—Black

Note: Cabinets installed adjacent to drop-in electric ranges must have an adhesion spec of at least a 194°F temperature rating.

Note: All 30" Drop-In Radiant Ranges conform to U.L. requirements for 0" spacing from range to adjacent walls below countertop. To reduce possibility of scorching the side walls above the countertop when no load is present on burners, it is recommended that a minimum 6" spacing from adjacent side wall be allowed for possible extended high-heat element operation.

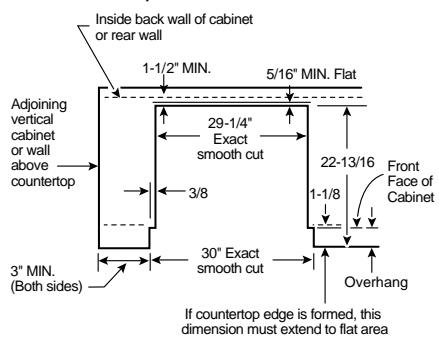
Installation Information: Before installing, consult installation instructions packed with product for current dimensional data.

IMPORTANT: 30" DROP-IN RANGES ARE DESIGNED TO HANG FROM THE COUNTERTOP. IT DOES NOT REST ON THE FLOOR. FOR INSTALLATION ALTERNATIVES, REFER TO INSTALLATION INSTRUCTIONS PACKED WITH PRODUCT.



All GE ranges are equipped with an Anti-Tip device. The installation of this device is an important, required step in the installation of the range.

Countertop Cutout—Top View Models JDP39/36 and JDS26



Drop-in ranges are not approved for installation with a plug and receptacle. They must be hard wired in accordance with installation instructions.

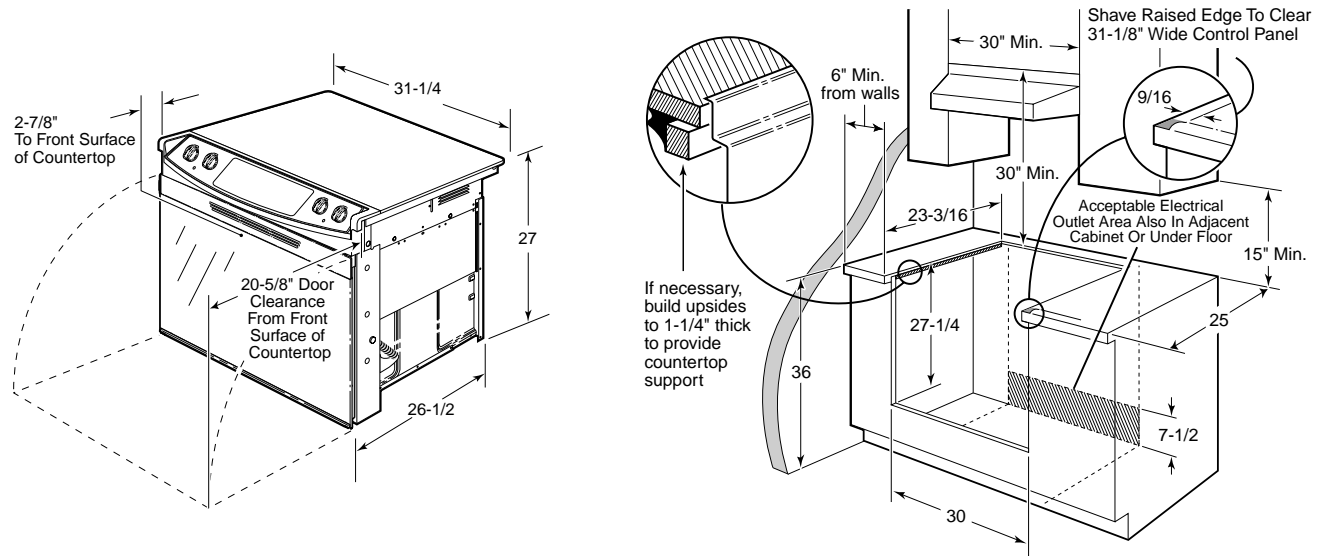


See page 156 for warranty information.

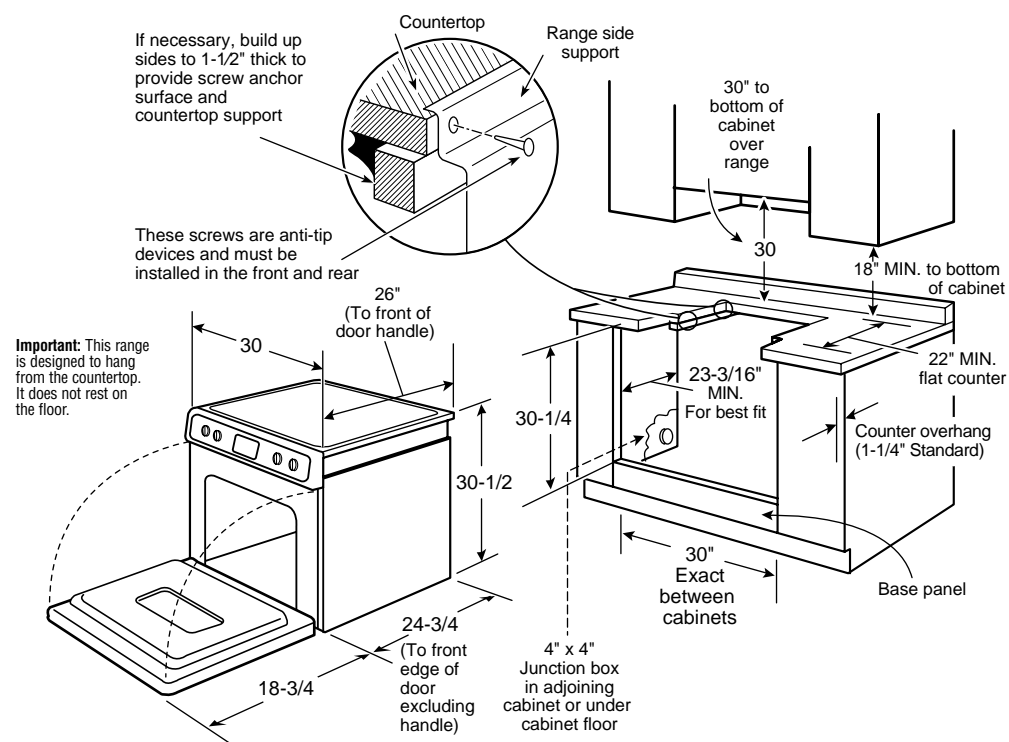


30" Drop-In Electric Ranges (continued)

30" Drop-In Range Dimensions (in inches) Models JD968 and JDP47



30" Drop-In Range Dimensions (in inches) Models JDP39/36 and JDS26



See page 156 for warranty information.



Spacemaker™ 27" Drop-In Electric Ranges

	GE Profile™		GE®
	JMP31WC	JMP28BC JMP28BD	JMS08BD
Features			
Oven cleaning	Self-Clean	Self-Clean	Standard Clean
Variable cleaning time	●	●	
Automatic self-clean oven door lock	●	●	
Oven racks	2	2	2
Lift-up overhanging cooktop	White Porcelain-Enamelled	White Porc.-Enam. Bisque Porc.-Enam.	White or Bisque Porcelain-Enamelled
8" heating elements	1	1	1
6" heating elements	3	3	3
Plug-in Calrod® heating elements	●	●	●
Infinite heat controls	●	●	●
Removable one-piece drip bowls	Chrome	Chrome	Chrome
Electronic clock and kitchen timer	●	●	●
Delay Bake option	●	●	●
Auto oven shut-off	●	●	●
Electronic oven control	●	●	●
Heating element "ON" indicator light	●	●	●
Interior oven light	●	●	●
Broiler pan with grid	●	●	●
Appearance			
Color appearance*	WW	WH CT	WH/CT
Frameless oven door	White Glass	Black Glass	Black Glass
Oven door with window	Big View	Big View	Big View
Lift-off oven door	●	●	●
Designer-style handle	Sure Grip	●	●
Weights & Dimensions			
Overall oven interior dimensions (WxHxD in inches)	19 x 15 x 18		
Approx. shipping weight (lbs.)	119	119	119
Power/Ratings			
KW rating @ 240V	9.8	9.8	10.1
208V	7.3	7.3	7.6
Amps @ 240V	40	40	40
208V	40	40	40

*WW = White with white glass door, WH = White with black glass door, CT = Bisque with black glass door

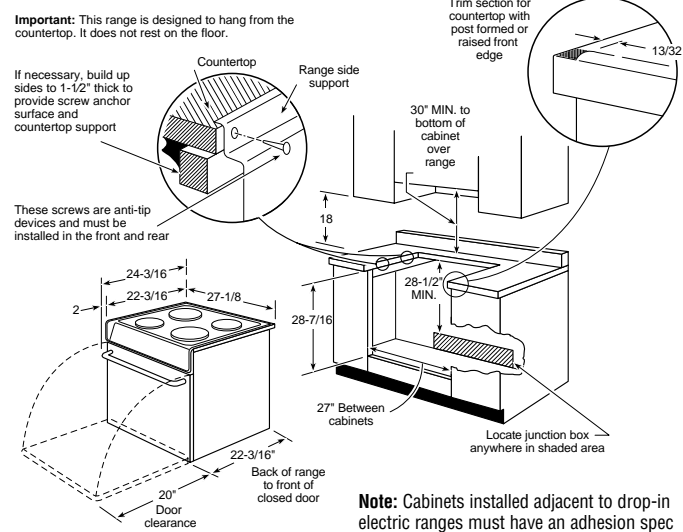
Optional Backguard

(Available at additional cost)
JX27RBK = Black
JX27RWH = White

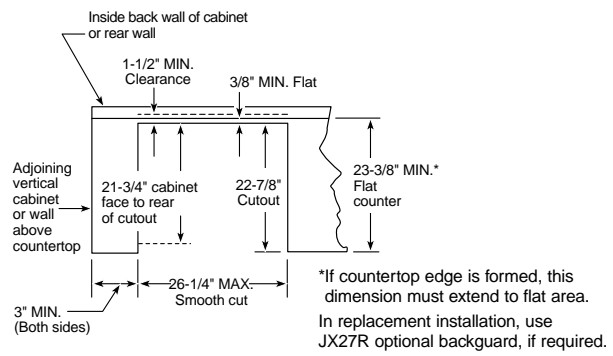
Note: All 27" Drop-In Electric Ranges conform to U.L. requirements for minimum spacing between range and side wall below countertop.

Installation Information: Before installing, consult installation instructions packed with product for current dimensional data.

27" Drop-In Range Dimensions (in inches)



Countertop Cutout—Top View



Installation/Specifications for 30" Free-Standing CleanDesign Electric Ranges

Cabinet Dimensions (in inches)

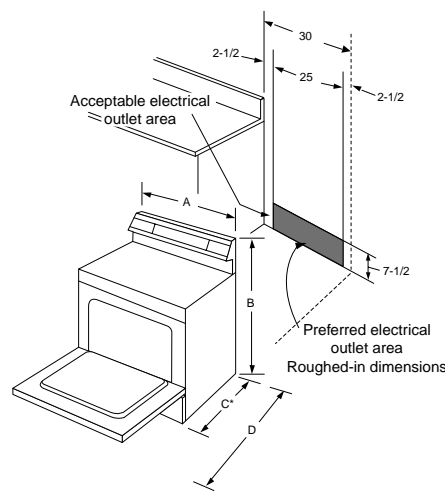
Model	A	B	C*	D
JBP95	29-7/8	46-1/2	25-3/8	47-5/8
JBP90	29-7/8	46-1/2	25-3/8	47-5/8
JBP82	29-7/8	44-7/16	25-3/8	47-5/8
JBP80	29-7/8	44-7/16	25-3/8	47-5/8
JBP69	29-7/8	44-7/16	25-3/8	47-5/8
JBP68	29-7/8	44-7/16	25-3/8	47-5/8
JBP66	29-7/8	44-7/16	25-3/8	47-5/8
JBP64	29-7/8	44-7/16	25-3/8	47-5/8

*Dimension from wall to front of closed oven door handle is 27-3/8" on models JBP95/90/82/80, and 27-3/4" on models JBP69/68/66/64.

Note: Conforms to U.L. requirements for 0" spacing for adjacent walls below countertops. To reduce possibility of scorching of walls, it is recommended a minimum of 1-1/2" spacing be allowed from adjacent side walls to allow for possible extended, high-heat, no-load heating element operation.

Receptacle Locations: For 30" Free-Standing Ranges locally approved flexible service cord or conduit must be used because terminals are not accessible after range installation. See shaded area drawing for location of electrical outlet box. Recommended outlet locations allow range to be installed directly against wall.

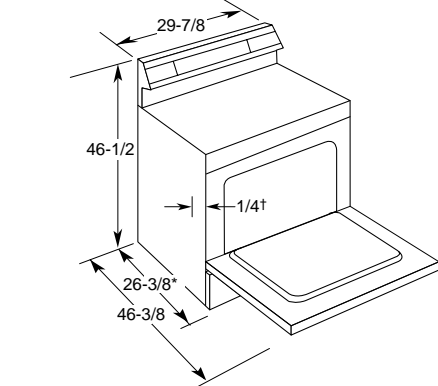
Dimensions and Installation Information (in inches)



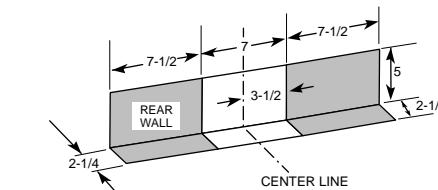
All GE ranges are equipped with an Anti-Tip device. The installation of this device is an important, required step in the installation of the range.

Electric Free-Standing Range Anti-Tip Bracket (Part No. 164D3799P002)
JBP95/90/82/80/69/68/66/64/48/35/30/26/24, JBS15
Anti-Tip Bracket (Part No. 183D6270P001)
JBP61/21, JBS27/26/07/03

Dimensions and Installation Information (in inches) for Model JBP61 only



†The range may be placed with a 0" clearance (flush) at the back wall and side walls if the range side trims extend beyond the cabinet fronts at least 1/4". Self-clean models only.
*Dimension from wall to front of closed oven door handle is 27-1/2".



Installation Information: Before installing, consult installation instructions packed with range for current dimensional data.



30" Free-Standing CleanDesign Electric Ranges

Features	GE Profile™		GE®						
	JBP95SF JBP95TF JBP95KF JBP95BF	JBP90SF JBP90TF JBP90KF JBP90BF	JBP82SF JBP82TF JBP82WF JBP82CF JBP82BF	JBP80SF JBP80TF JBP80WF JBP80KF JBP80CF JBP80BF	JBP69SF JBP69WF JBP69CF JBP69BF	JBP66WB JBP66CB JBP66BB	JBP68WD JBP68CD	JBP64WB JBP64BB	JBP61BD
Self-clean oven	Convection	Convection	•	•	•	•	•	•	•
Self-clean latch	Auto	Auto	Auto	•	•	•	•	•	•
Oven capacity (cu. ft.)	4.5	4.5	5.0	5.0	5.0	5.0	5.0	5.0	5.0
CleanDesign oven/ hidden bake element	•								
Oven racks	3 heavy-duty	3	2	2	2	2	2	2	2
Self-clean oven racks	•								
Ceramic-glass cooktop	Black True white True bisque Black	Black True white True bisque Black	Black True white Patterned white True bisque Patterned bisque Black	Black True white Patterned white True bisque Patterned bisque Black	Black Patterned white Patterned bisque Black	Patterned white Patterned bisque Black	Patterned white Patterned bisque	Patterned white Black	Patterned White
One-piece upswept cooktop	•	•	•	•	•	•	•	•	•
Dual 6"/9" Ribbon heating element	1 (1000/2500W)	1 (1000/2500W)	1 (1000/2500W)	1 (1000/2500W)	1 (1000/2500W)				
8" Ribbon heating elements		1 (2000W)		1 (2000W)	1 (2000W)	2 (2000W)	2 (2000W)	2 (2000W)	2 (2000W)
7" Ribbon heating element	2 (1800W)		2 (1800W)						
Bridge element	1 (800W)		1 (800W)						
Total wattage	4400		4400						
6" Ribbon heating elements	1 (1500W)	2 (1500W)	1 (1500W)	2 (1500W)	2 (1500W)	2 (1500W)	2 (1500W)	2 (1500W)	2 (1500W)
6" Warming zone	1 (130W)	1 (130W)	1 (130W)	1 (130W)					
Infinite heat controls	•	•	•	•	•	•	•	•	•
TrueTemp™ system	•	•	•	•	•	•	•	•	•
SmartLogic™ controls	•	•	•	•	•	•	•	•	•
Six-pass power bake element	•	•	•	•	•	•	•	•	•
Convection bake	•	•							
Convection roast	•	•							
Convenience controls	•	•	•	•	•	•	•	•	•
QuickSet oven controls	QuickSet V	QuickSet V	QuickSet IV	QuickSet IV	QuickSet III	QuickSet III	QuickSet II	QuickSet II	QuickSet II
Digital temperature display	•	•	•	•	•	•	•	•	•
Oven function icons	•	•	•	•					
Digipad numeric entry	•	•							
Convection conversion	•	•							
Delay bake	•	•	•	•	•	•			
Oven light pad	•	•							
Control lock capability	•	•	•	•					
Start pad	•	•	•	•					
Self-clean cool-down time display	•	•	•	•	•	•	•	•	•
Auto self-clean	•	•	•	•	•	•	•	•	•
Delay clean option	•	•	•	•	•	•	•	•	•
Auto oven shut-off	w/override	w/override	w/override	w/override	w/override	w/override	w/override	w/override	w/override
Certified Sabbath mode	•	•	•	•	•	•	•	•	•
Audible preheat signal	•	•	•	•	•	•	•	•	•
Dual element bake	•	•	•	•	•	•	•	•	•
Oven meat probe	•	•	•	•	•	•	•	•	•
Hot surface lights	•	•	•	•	•	•	•	•	•
Oven "ON" light	•	•	•	•	•	•	•	•	•
Self-clean cycle light	•	•	•	•	•	•	•	•	•
Interior oven light	Auto/Pad	Auto/Pad	Switch	Switch	Switch	Switch	Switch	Switch	Switch
Storage drawer	Stainless steel White Bisque Black	Stainless steel White Bisque Black	Stainless steel White White Bisque Bisque Black	Stainless steel White White Bisque Bisque Black	Stainless steel White Bisque Black	White Bisque CM*	White Bisque	White CM*	White
Broiler pan/grid	•	•	•	•	•	•	•	•	•
Roasting rack	•	•	•	•	•	•	•	•	•
Appearance									
Color appearance*	SS WW CC BB	SS WW CC BB	SS WW WW CC CC BB	SS WW WW CC CC BB	SS WW CC BB	WW CC WH/CT	WW CC	WW WH/CT	WH
Frameless glass oven door	Stainless steel White Bisque Black	Stainless steel White Bisque Black	Stainless steel White White Bisque Bisque Black	Stainless steel White White Bisque Bisque Black	Stainless steel White Bisque Black	White Bisque Black	White Bisque	White Black	Black
Oven door with window	Big ClearView™	Big ClearView	Big ClearView	Big ClearView	Big View	•	Big View	•	•
Designer-style handle	Sure Grip	Sure Grip	•	•	•	•	•	•	•
Weights & Dimensions									
Overall oven interior dimensions (WxHxD in inches)	← 24-1/4 x 19 x 1 →		← 24-1/4 x 19 x 19 →				← 23-3/4 x 19 x 18-1/2 →		
Approx. shipping weight (lbs.)	210	205	198	198	175	175	174	174	174
Power/Ratings									
KW rating @ 240V	12.4	11.5	11.0	11.0	10.5	10.5	10.5	10.5	10.5
208V	9.3	8.3	8.3	8.3	7.9	7.9	7.9	7.9	7.9
Accessories									
Cooktop cleaning creme & pad	•	•	•	•	•	•	•	•	•

*SS = Stainless steel with black accents, WW = White with white glass door, CC = Bisque with bisque glass door, BB = Black with black glass door, WH = White with black glass door, CT = Bisque with black glass door, CM = Color-Matched indicates color of drawer matches range cooktop (either white or bisque).

See page 156 for warranty information.



Refrigeration
Cooking Products
Microwave Ovens
Dishwashers
Clothes Care
Water Systems
Air Conditioning

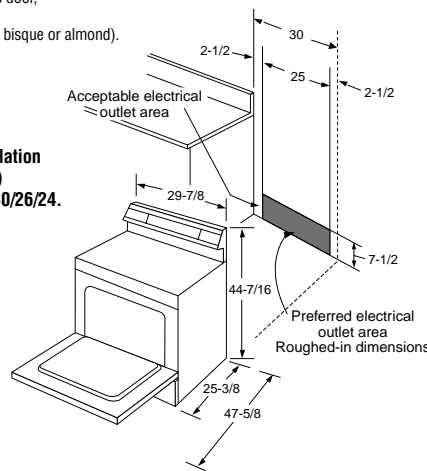
30" Free-Standing QuickClean™ Electric Ranges

Features	GE Profile™	GE®									
	JBP48WB JBP48CB JBP48BB	JBP35WB JBP35CD JBP35ED JBP35BB	JBP30WB JBP30CB JBP30BB	JBP26WB JBP26CB JBP26ED JBP26BB	JBP24WB JBP24BB	JBP21WC JBP21BC	JBS27WC JBS27CC JBS27BC	JBS26C	JBS07C	JBS15F	JBS03BC JBS03C
Oven cleaning	Self-Clean	Self-Clean	Self-Clean	Self-Clean	Self-Clean	Self-Clean	Standard	Standard	Standard	Standard	Standard
Oven capacity (cu. ft.)	5.0	5.0	5.0	5.0	5.0	5.0	5.0	5.0	5.0	5.0	5.0
Oven racks	2	2	2	2	2	2	2	2	2	2	2
Upswept porcelain-enameled cooktop	•	•	•	•	•	•	•	•	•	•	•
Clean-Well™ cooktop system	•	•	•	•	•	•	•	•	•	•	•
Lift-up cooktop w/dual support rods	•	•	•	•	•	•	•	•	•	•	•
8" heating elements	2 (6 turns)	2 (6 turns)	2 (6 turns)	2 (5 turns)	2 (5 turns)	2 (5 turns)	2 (5 turns)	2 (4 turns)	1 (5 turns)	1 (4 turns)	1 (5 turns)
6" heating elements	2 (5 turns)	2 (5 turns)	2 (5 turns)	2 (4 turns)	2 (4 turns)	2 (4 turns)	2 (4 turns)	2 (3 turns)	3 (4 turns)	3 (3 turns)	3 (4 turns)
Warming option	•	•	•	•	•	•	•	•	•	•	•
Infinite heat controls	•	•	•	•	•	•	•	•	•	•	•
Plug-in Calrod® heating elements	•	•	•	•	•	•	•	•	•	•	•
Removable 1-piece drip bowls	Grey Black Black	Black	Grey Black Black	Chrome	Chrome	Chrome	Chrome	Chrome	Chrome	Chrome	Chrome
TrueTemp™ system	•	•	•	•	•	•	•	•	•	•	•
SmartLogic™ controls	•	•	•	•	•	•	•	•	•	•	•
Six-pass power bake element	•	•	•	•	•	•	•	•	•	•	•
Convenience controls	•	•	•	•	•	•	•	•	•	•	•
QuickSet oven controls	QuickSet IV	QuickSet III	QuickSet III	QuickSet III	QuickSet II	QuickSet II					
Digital temperature display	•	•	•	•	•	•					
Electronic oven controls	•	•	•	•	•	•					
Auto oven shut-off	w/override	w/override	w/override	w/override	w/override	w/override					
Control lock capability	•	•	•	•	•	•					
Start pad	•	•	•	•	•	•					
Delay clean option	•	•	•	•	•	•					
Auto self-clean	•	•	•	•	•	•					
Self-clean cool down display	•	•	•	•	•	•					
Audible preheat signal	•	•	•	•	•	•					
Certified Sabbath mode	•	•	•	•	•	•					
Clock and minute timer	•	•	•	•	•	•	•	•	•	•	•
Dual element bake	•	•	•	•	•	•	•	•	•	•	•
Heating element "ON" indicator light	•	•	•	•	•	•	•	•	•	•	•
Interior oven light	Auto/Switch in display	Switch	Switch	Switch	Switch	Switch	Switch	Switch	Switch	Switch	
Preheated oven light	•	•	•	•	•	•	•	•	•	•	•
Removable full-width storage drawer	White Bisque Black	Color-Matched*	White Bisque Color-Matched*	White Bisque Black Color-Matched*	White Color-Matched*	White Color-Matched*	White Bisque Color-Matched*	Color-Matched*	White	Color-Matched*	Color-Matched*
Broiler pan with grid	•	•	•	•	•	•	•	•	•	•	•
Appearance											
Color appearance*	WW CC BB	WW CC BB WH/CT	WW CC WH/CT	WW CC BB WH/CT	WW WH/CT	WW WH/CT/AD	WW CC WH/CT	WH/CT	WW	WH/CT	WH/CT WH/CT/AD
Frameless glass oven door*	White Bisque Black	Black	White Bisque Black	White Bisque Black Black	White Black	White Black	White Bisque Black	Porcelain Color-Matched*	Porcelain White	Porcelain Color-Matched*	Black Color-Matched*
Oven door with window	Big View	Big View	•	•	•	•	•	•	•	•	•
Designer-style handle	Sure Grip	•	•	•	•	•	•	•	•	Visor	Designer Visor
Textured steel side panels	•	•	•	•	•	•	•	•	•	•	•
Weights & Dimensions											
Overall oven interior dimensions (WxHxD in inches)	24-1/4 x 19 x 19					23-3/4 x 19 x 18-1/2				22-3/4 x 15-3/4 x 17	23-3/4 x 19 x 18-1/2
Approx. shipping weight (lbs.)	176	173	170	172	170	144	158	159	141	157	154
Power/Ratings											
KW rating @ 240V	11.7	11.7	11.7	11.7	11.7	11.7	12.6	11.1	11.5	11.2	11.4
208V	8.8	8.8	8.8	8.8	8.8	8.1	9.9	8.8	9.1	6.9	9.0

*SS = Stainless steel with black accents, WW = White with white glass door, CC = Bisque with bisque glass door, BB = Black with black glass door, WH = White with black glass door, CT = Bisque with black glass door. CM = Color-Matched indicates color of oven door or storage drawer matches range cooktop (either white, bisque or almond).



Dimensions and Installation Information (in inches) for models JBP48/35/30/26/24.



Note: 30" ranges conform to U.L. requirements for 0" spacing from adjacent walls below countertops. To reduce possible scorching of walls, engineering recommends a minimum of 1-1/2" spacing to allow for possible extended, high heat, no-load heating element operation.

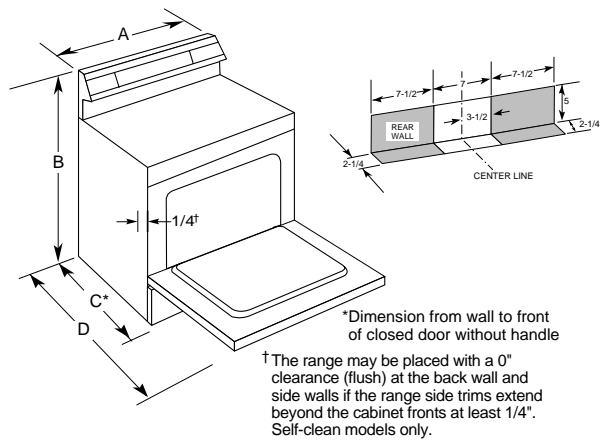
Receptacle Locations: Locally approved flexible service cord or conduit must be used because terminals are not accessible after range installation. See shaded area in drawing for location of electrical outlet box. Recommended outlet locations allow range to be installed directly against wall.

See page 156 for warranty information.



30" Free-Standing QuickClean™ Electric Ranges (continued)

Dimensions and Installation Information (in inches)
for Models JBP21 and JBS27/26/07/03.

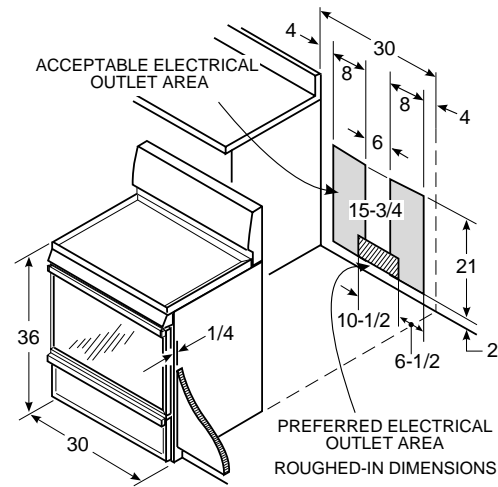


Cabinet Dimensions (in inches)

Model	A	B	C*	D
JBP21	29-7/8	46-1/2	26-3/8	46-3/8
JBS27	29-7/8	46-1/2	26-3/8	46-3/8
JBS26	29-7/8	46-1/2	26-1/4	46-1/4
JBS07	29-7/8	46-1/2	26-1/4	46-1/4
JBS15	29-7/8	44-5/8	25-5/16	45-1/2
JBS03BC	29-7/8	46-1/2	26-3/8	46-3/8
JBS03C	29-7/8	46-1/2	26-1/4	46-1/4

*Dimension from wall to front of closed oven door handle is 28-1/2" on model JBS27/03BC; 28-3/8" on JBS26/07; 28" on JBS03C; 27-1/8" on JBS05Y.

Dimensions and Installation Information (in inches)
for Model JBS15

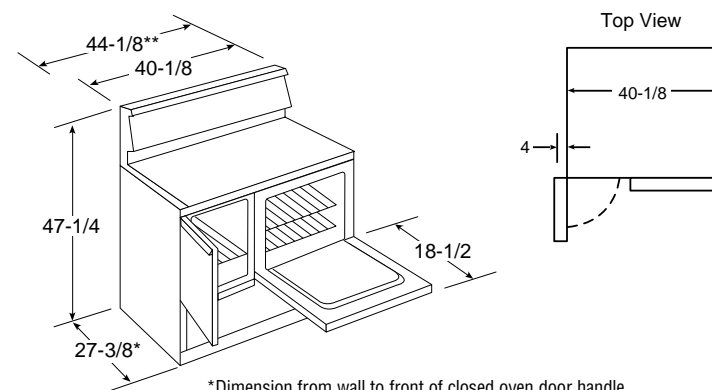


40" Electric Ranges

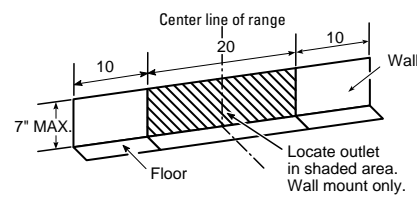
Features	GE	
	JCP67F	JCS57F
Oven cleaning	Master Oven—Self-Clean Companion Oven—Standard	Standard
Oven racks	Master Oven—2 Companion Oven—1	Master Oven—2
8" heating elements	2	2
6" heating elements	2	2
Removable drip bowls	One-Piece Chrome	One-Piece Chrome
Clock and minute timer	Electronic	Electronic
Automatic oven timer	Master	
Heating element "ON" indicator light	•	•
Interior oven light	•	•
Oven cycling light	2	•
Storage drawer	•	•
Broiler pan with grid	Master Oven—1 Companion Oven—1	Master Oven—1
Appearance		
Color appearance*	WW	WW
Oven door with window	Master Oven	•
Weights & Dimensions		
Overall oven interior dimensions (WxHxD in inches)	Master Oven— 22-5/8 x 15-7/8 x 18-1/8 Companion Oven— 9-9/16 x 16 x 19-1/2	22-5/8 x 15-7/8 x 18-1/8
Approx. shipping weight (lbs.)	224	197
Power/Ratings		
KW rating @ 240V	14.2	12.6
208V	10.7	9.5

*WW = White with white door.

40" Range Dimensions and Installation Information (in inches)



*Dimension from wall to front of closed oven door handle.
**Includes required 4" door swing allowance for side-hinged oven or storage compartment door.



Receptacle Locations: For all 40" Free-Standing Ranges locally approved flexible service cord or conduit must be used because terminals are not accessible after range installation. See shaded area in drawing for location of electrical outlet box. Recommended outlet locations allow range to be installed directly against rear wall.

Installation Information: Before installing, consult installation instructions packed with product for current dimensional data.



All GE ranges are equipped with an Anti-Tip device. The installation of this device is an important, required step in the installation of the range.

Electric Free-Standing Range
Anti-Tip Bracket (Part No. 164D3799P002)
JBP95/90/82/80/69/68/66/64/48/35/30/26/24, JBS15
Anti-Tip Bracket (Part No. 183D6270P001)
JBP61/21, JBS27/26/07/03

See page 156 for warranty information.



30" Self-Clean Gas Ranges

GE Profile™										
Sealed Burner Models					Dual-Fuel Model					
	JGB920SEF JGB920TEF JGB920KEF JGB920BEF	JGB915SEF JGB915WEF JGB915CEF JGB915BEF	JGB905SEF JGB905WEF JGB905CEF JGB905BEF	JGB900SEF JGB900WEF JGB900CEF JGB900BEF	J2B900SEF J2B900WEF J2B900CEF J2B900BEF	JGBP90MEB	JGBP86WEB JGBP86CEB JGBP86BEB	JGBP85WEB JGBP85CEB JGBP85BEB	JGBP79MEF JGBP79WEB JGBP79CEB JGBP79BEB	
Capacity	Super-Large 5.0 cu. ft.					Extra-Large 4.4 cu. ft.				
Oven capacity	5.0 cu. ft.					4.4 cu. ft.				
Features										
Oven cleaning	Self-Clean Black True white True bisque Black	Self-Clean	Self-Clean	Self-Clean	Self-Clean	Self-Clean	Self-Clean	Self-Clean	Self-Clean	
Gas on glass ceramic cooktop	●									
Deep recessed porcelain cooktop	●									
Cooktop burners	Sealed	Sealed	Sealed	Sealed	Sealed	Sealed	Sealed	Sealed	Sealed	
Power Boil™ burner (Nat.)	(1) 15,000 BTU/ 180° Simmer	(1) 15,000 BTU/ 180° Simmer	(1) 15,000 BTU/ 180° Simmer	(1) 15,000 BTU/ 180° Simmer	(2) 12,000/ 1,000 BTU	(2) 12,000/ 1,000 BTU	(2) 12,000/ 1,000 BTU	(2) 12,000/ 1,000 BTU	(2) 12,000/ 1,000 BTU	
High Output burner (Nat.)	(1) 11,000 BTU/ 150° Simmer	(1) 11,000 BTU/ 150° Simmer	(1) 11,000 BTU/ 150° Simmer	(1) 11,000 BTU/ 150° Simmer	(1) 5,000/600 BTU	(1) 5,000/600 BTU	(1) 5,000/600 BTU	(1) 5,000/600 BTU	(1) 5,000/600 BTU	
Precise Simmer burner (Nat.)	(1) 5,000 BTU/ 150° Simmer	(1) 5,000 BTU/ 150° Simmer	(1) 5,000 BTU/ 150° Simmer	(1) 5,000 BTU/ 150° Simmer	(1) 9,500/850 BTU	(1) 9,500/850 BTU	(1) 9,500/850 BTU	(1) 9,500/850 BTU	(1) 9,500/850 BTU	
All-purpose burners (Nat.)	(1) 9,100 BTU/ 140° Simmer	(1) 9,100 BTU/ 140° Simmer	(1) 9,100 BTU/ 140° Simmer	(1) 9,100 BTU/ 140° Simmer	(1) 9,500/850 BTU	(1) 9,500/850 BTU	(1) 9,500/850 BTU	(1) 9,500/850 BTU	(1) 9,500/850 BTU	
Valves (degree of turn)	270	270	270	270	270	270	270	270	270	
TrueTemp™ system	●	●	●	●	●	●	●	●	●	
Electronic controls	●	●	●	●	●	●	●	●	●	
Convection bake/roast	●	●	●	●	Electric	●	●	●	●	
QuickSet oven controls	QuickSet V glass touch	QuickSet V glass touch	QuickSet V	QuickSet V	QuickSet V glass touch	QuickSet V	QuickSet V	QuickSet V	QuickSet IV	
Auto Self-Clean	●	●	●	●	●	●	●	●	●	
Electronic oven control	●	●	●	●	●	●	●	●	●	
Hi/Low broil	●	●	●	●	●	●	●	●	●	
Electronic clock and timer	●	●	●	●	●	●	●	●	●	
Automatic oven timer	●	●	●	●	●	●	●	●	●	
Audible preheat signal	●	●	●	●	●	●	●	●	●	
Auto oven shut-off	●	●	●	●	●	●	●	●	●	
Certified Sabbath mode	●	●	●	●	●	●	●	●	●	
Auto Recipe™ conversion	●	●	●	●	●	●	●	●	●	
Control lock capability	●	●	●	●	●	●	●	●	●	
One-piece upswept cooktop	Porc.-Enam.	Porc.-Enam.	Porc.-Enam.	Porc.-Enam.	Porc.-Enam.	Porc.-Enam.	Porc.-Enam.	Porc.-Enam.	Porc.-Enam.	
Porcelain-enameled one-piece drip pans					Black Grey Taupe Black	Black	Grey Taupe Black	Grey Taupe Black	Black Grey Taupe Black	
Removable grates	Matte Black Hvy.-Cast Grey Hvy.-Cast Taupe Hvy.-Cast Black Hvy.-Cast	Matte Black Hvy.-Cast Grey Hvy.-Cast Taupe Hvy.-Cast Black Hvy.-Cast	Matte Black Hvy.-Cast Grey Hvy.-Cast Taupe Hvy.-Cast Black Hvy.-Cast	Matte Black Hvy.-Cast Grey Hvy.-Cast Taupe Hvy.-Cast Black Hvy.-Cast	Black Hvy.-Cast Grey Hvy.-Cast Taupe Hvy.-Cast Black Hvy.-Cast	Profes. Grates	Profes. Grates Taupe Black	Grey Hvy.-Cast Taupe Hvy.-Cast Black Hvy.-Cast	Black Hvy.-Cast Grey Hvy.-Cast Taupe Hvy.-Cast Black Hvy.-Cast	
Continuous grates	Dishwasher-safe	Dishwasher-safe	Dishwasher-safe	Dishwasher-safe	●	●	●	●	●	
Ignition system	Electronic	Electronic	Electronic	Electronic	Electronic	Electronic	Electronic	Electronic	Electronic	
Oven racks	3	3	2	2	3	3	3	3	3	
Six embossed rack positions	●	●	●	●	●	●	●	●	●	
Extra-large broiler pan/grid	●	●	●	●	●	●	●	●	●	
Scratch-resistant backguard	Stainless Glass	Stainless Glass	Stainless Porc.-Enam.	Stainless Porc.-Enam.	Stainless Glass	Soft Stainless	Glass	Glass	Soft Stainless Porc.-Enam.	
Fluorescent cooktop light (excludes stainless models)	●	●	●	●	●	●	●	●	●	
Interior oven light	●	●	●	●	●	●	●	●	●	
Warming drawer	450 Watt	450 Watt	450 Watt	450 Watt	450 Watt	450 Watt	450 Watt	450 Watt	450 Watt	
Electronic control	●	●	●	●	●	●	●	●	●	
Temp. settings	(low, med, high)	(low, med, high)	(low, med, high)	(low, med, high)	150° - 220° F	150° - 220° F	150° - 220° F	150° - 220° F	150° - 220° F	
Stainless steel insert	●	●	●	●	●	●	●	●	●	
In-oven broiling	●	●	●	●	●	●	●	●	●	
Appearance										
Color appearance*	SS/WW/CC/BB	SS/WW/CC/BB	SS/WW/CC/BB	SS/WW/CC/BB	SS/WW/CC/BB	BC	WW/CC/BB	WW/CC/BB	WW/CC/BB	
Frameless oven door	Stainless steel White Glass Bisque Glass Black Glass	Stainless steel White Glass Bisque Glass Black Glass	Stainless steel White Glass Bisque Glass Black Glass	Stainless steel White Glass Bisque Glass Black Glass	Stainless steel White Glass Bisque Glass Black Glass	Soft Stainless	White Glass Bisque Glass Black Glass	White Glass Bisque Glass Black Glass	Soft Stainless White Glass Bisque Glass Black Glass	
Oven door with window	Big ClearView™	Big ClearView	Big ClearView	Big ClearView	Big View	Big View	Big View	Big View	Big View	
Oven door handle	Sculptured	Sculptured	Sculptured	Sculptured	Sure Grip	Professional-Style	Sure Grip	Sure Grip	Sure Grip	
Four leveling legs	●	●	●	●	●	●	●	●	●	
Weights & Dimensions										
Overall oven interior dimensions (WxHxD in inches)	24 x 19 x 19	24 x 19 x 19	24 x 19 x 19	24 x 19 x 19	24 x 17 x 19	24 x 17 x 19	24 x 17 x 19	24 x 17 x 19	24 x 17 x 19	
Approx. shipping weight (lbs.)	250 SS 245 WW/CC/BB	235 SS 230 WW/CC/BB	235 SS 230 WW/CC/BB	220 SS 215 WW/CC/BB	225	230	220	220	210	
Power/Ratings										
Top burners (000's BTU's) Nat/LP	(1) 15.0/11.0 (1) 11.0/9.1 (1) 5.0/5.0 (1) 9.1/9.1	(1) 15.0/11.0 (1) 11.0/9.1 (1) 5.0/5.0 (1) 9.1/9.1	(1) 15.0/11.0 (1) 11.0/9.1 (1) 5.0/5.0 (1) 9.1/9.1	(1) 15.0/11.0 (1) 11.0/9.1 (1) 5.0/5.0 (1) 9.1/9.1	(2) 12.0/11.0 (1) 5.0/5.0 (1) 9.5/9.5	(2) 12.0/11.0 (1) 5.0/5.0 (1) 9.5/9.5				
Oven/broiler burners (000's BTU's) Nat/LP	16.0/16.0 Oven 13.5/12.0 Broil				16.0/16.0 Oven 13.5/12.0 Broil					
Dual fuel range electrical rating					208/240V, 60Hz, 40A					
Gas range electrical rating	120V, 60Hz, 5A				120V, 60Hz, 5A					
LP conversion kit (included)	●									

*SS = Stainless steel with black accents, BC = Soft stainless with black accents, WW = White with white glass door, CC = Bisque with bisque glass door, BB = Black with black glass door.
Factory set for Natural Gas. A set of LP orifices is included with each range for LP conversion.

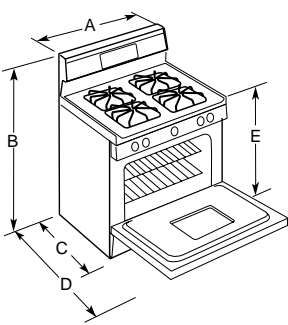
208 See page 156 for warranty information.

30" Self-Clean Gas Ranges

	GE®						
	Sealed Burner Models				Standard Burner Models		
	JGBP35WEA JGBP35CEA JGBP35BEA	JGBP32SEH JGBP32WEF JGBP32CEF	JGBP30WEA JGBP30CEA JGBP30BEA	JGBP28WEA JGBP28BEA	JGBP26WEA JGBP26CEA JGBP26BEA	JGBP24BEA	
Capacity							
Extra-large 4.4 cu. ft. oven	●						
Features							
Oven cleaning	Self-Clean	Self-Clean	Self-Clean	Self-Clean	Self-Clean	Self-Clean	
Cooktop burners	Sealed	Sealed	Sealed	Sealed	Standard/Twin	Standard/Twin	
High Output burner (Nat.)	(1) 12,000/ 1,000 BTU	(1) 13,000/ 1,000 BTU	(1) 12,000/ 1,000 BTU				
Precise Simmer burner (Nat.)	(1) 5,000/600 BTU	(1) 5,000/600 BTU	(1) 5,000/600 BTU				
All-purpose burners (Nat.)	(2) 9,500/850 BTU	(2) 9,500/850 BTU	(2) 9,500/850 BTU	(4) 9,500/850 BTU	(4) 9,000/850 BTU	(4) 9,000/850 BTU	
Valves (degree of turn)	270	270	270	140	270	270	
TrueTemp system	●	●	●		●		
Electronic controls	●	●	●		●		
QuickSet oven controls	QuickSet IV	QuickSet III	QuickSet III	QuickSet II	QuickSet III	QuickSet II	
Auto Self-Clean	●	●	●	●	●	●	
Electronic oven control	●						
Hi/Low broil	●						
Electronic clock and timer	●	●	●	●	●	●	
Automatic oven timer	●	●	●	●	●	●	
Audible preheat signal	●	●	●	●	●	●	
Auto oven shut-off	●	●	●	●	●	●	
Certified Sabbath mode	●	●	●	●	●	●	
One-piece upswept cooktop	Porc.-Enam.	Porc.-Enam.	Porc.-Enam.	Porc.-Enam.	Porc.-Enam.	Porc.-Enam.	
Lift-up cooktop							
Easy-clean subtop					Porc.-Enam.	Porc.-Enam.	
Porcelain-enameled one-piece drip pans	Grey Taupe Black	Black Taupe	Grey Taupe Black	Opt. Access.	Chrome Chrome Black	Opt. Access.	
Removable square grates	Grey Medium-Cast Taupe Medium-Cast Black Medium-Cast	Black Medium-Cast Grey Medium-Cast Taupe Medium-Cast	Grey Deluxe Porc.-Steel Taupe Deluxe Porc.-Steel Black Deluxe Porc.-Steel	Grey Std. Porc.-Steel Black Std. Porc.-Steel	Grey Std. Porc.-Steel Black Std. Porc.-Steel	Black Std. Porc.-Steel	
Ignition system	Electronic	Electronic	Electronic	Electronic	Electronic	Electronic	
Oven racks	2	3	2	2	2	2	
Six embossed rack positions	●	●	●	●	●	●	
Extra-large broiler pan/grid	●	●	●	●	●	●	
Scratch-resistant backguard	Porc.-Enam.	Porc.-Enam.	Porc.-Enam.	Porc.-Enam.	Porc.-Enam.	Porc.-Enam.	
Interior oven light	●	●	●	●	●	●	
Storage drawer	●	●	●	●	●	●	
In-oven broiling	●	●	●	●	●	●	
Appearance							
Color appearance*	WW CC BB	SS WW CC	WW CC WH/CT	WW WH/CT	WW CC WH/CT	WH/CT	
Frameless oven door	White Glass Bisque Glass Black Glass	Stainless White Glass Bisque Glass	White Glass Bisque Glass Black Glass	White Glass Black Glass	White Glass Black Glass	Solid Black Glass	
Oven door with window	Big View	Big View	Big View	●	●	●	
Designer-style handle	●	●	●	●	●	●	
Four leveling legs	●	●	●	●	●	●	
Weights & Dimensions							
Overall oven interior dimensions (WxHxD in inches)	← 24 x 17 x 19 →						
Approx. shipping weight (lbs.)	210	210	210	210	200	200	
Power/Ratings							
Top burners (000's BTU's) Nat/LP	(1) 12.0/11.0 (1) 5.0/5.0 (2) 9.5/9.5	(1) 13.0/11.0 (1) 5.0/5.0 (2) 9.5/9.5	(1) 12.0/11.0 (1) 5.0/5.0 (2) 9.5/9.5	(4) 9.5/9.5	← (4) 9.0/8.0 →		
Oven/broiler burners (000's BTU's) Nat/LP					← 16.0/16.0 Oven 13.5/12.0 Broil →		
Gas range electrical rating	← 120V, 60Hz, 5A →						
LP conversion kit (included)	●	●	●	●	●	●	

*SS = Stainless steel with black accents, WW = White with white glass door, CC = Bisque with bisque glass door, BB = Black with black glass door, WH = White with black door, CT = Bisque with black door.
Factory set for Natural Gas. A set of LP orifices is included with each range for LP conversion.

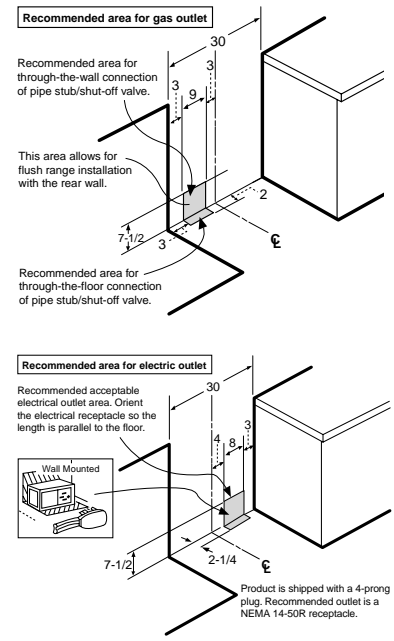
Dimensions (in inches)



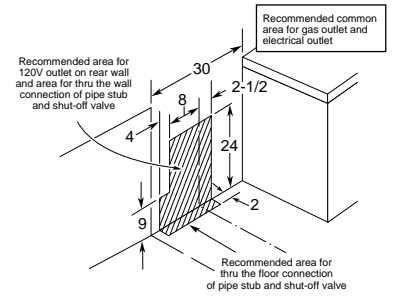
Model	A	B	C*	D	E
J2B900	30	47-3/4	26-1/4	46-3/8	36 ± 1/4
JGB920	30	47-3/4	26-1/4	46-3/8	36 ± 1/4
JGB915	30	47-3/4	26-1/4	46-3/8	36 ± 1/4
JGB905	30	47-3/4	26-1/4	46-3/8	36 ± 1/4
JGB900	30	47-3/4	26-1/4	46-3/8	36 ± 1/4
JGBP90	30	47-3/4	26-1/4	46-3/8	36 ± 1/4
JGBP86	30	47-3/4	26-1/4	46-3/8	36 ± 1/4
JGBP85	30	47-3/4	26-1/4	46-3/8	36 ± 1/4
JGBP79	30	46-1/2	26-1/4	46-3/8	36 ± 1/4
JGBP35	30	46-1/2	26-1/4	46-3/8	36 ± 1/4
JGBP32	30	46-1/2	26-1/4	46-3/8	36 ± 1/4
JGBP30	30	46-1/2	26-1/4	46-3/8	36 ± 1/4
JGBP28	30	46-1/2	26-1/4	46-3/8	36 ± 1/4
JGBP26	30	46-1/2	26-1/4	46-3/8	36 ± 1/4
JGBP24	30	46-1/2	26-1/4	46-3/8	36 ± 1/4

*Dimension from wall to front of closed door handle is 29" on models JGB920/915/905/900, JGBP86/85/79 and 28-1/4" on models JGBP90/35/32/30/28/26/24. Depth to front edge of cooktop—25-1/4".

Installation Information Dimensions (in inches) Model J2B900



Installation Information Dimensions (in inches) All models except J2B900



Optional Gas Range Accessory Drip Pans For Sealed and Standard Burner Models (Available at additional cost) To order these accessory drip pans, call toll-free 800-626-2002.

Installation Information: Before installing, consult installation instructions packed with product for current dimensional data.



All GE ranges are equipped with an Anti-Tip device. The installation of this device is an important, required step in the installation of the range.

Gas Self-Clean Range Anti-Tip Bracket (Part No. 205C1714P001)
J2B900, JGB920/915/905/900/86/85/79/35/32/30/28/26/24

See page 156 for warranty information.

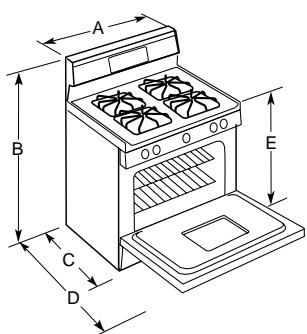
209

30" Continuous- & Standard-Clean Gas Ranges

GE®											
Sealed Burner Models											
Standard Burner Models											
Capacity											
Features											
Appearance											
Weights & Dimensions											
Power/Ratings											
Extra-large oven	•	•	•	•	•	•	•	•	•	•	•
Oven cleaning	Standard-Clean	Standard-Clean	Standard-Clean	Standard-Clean	Cont.-Clean Standard-Clean	Cont.-Clean Standard-Clean	Standard-Clean	Standard-Clean	Standard-Clean	Standard-Clean	Standard-Clean
Cooktop burners	Sealed	Sealed	Sealed	Sealed	Std./Twin	Std./Twin	Std./Twin	Std./Twin	Std./Twin	Std./Twin	Std./Twin
High Output burner (Nat.)	(1) 12,000/1,000 BTU										
Precise Simmer burner (Nat.)	(1) 5,000/600 BTU										
All-purpose burners (Nat.)	(2) 9,500/850 BTU	(4) 9,500/850 BTU	(1) 8,000/850 BTU (3) 7,000/850 BTU	(1) 8,000/850 BTU (3) 7,000/850 BTU	(4) 9,000/850 BTU	(4) 9,000/850 BTU	(4) 9,000/850 BTU	(4) 9,000/850 BTU	(4) 9,000/850 BTU	(4) 9,000/850 BTU	(4) 9,000/850 BTU
Center oval burner			(1) 6,000/850 BTU	(1) 6,000/850 BTU							
Valves (degree of turn)	270	140	140	140	140	140	140	140	140	140	
Electronic clock and timer	•	•	Clock only		•	•	• / -				
Porcelain-enameled cooktop	One-Piece Upswept	One-Piece Upswept	•	•	One-Piece Upswept	One-Piece Upswept	1-Piece Upswept	•	•	•	
Lift-up cooktop					•	•	•	•	•	•	
Easy-clean porcelain-enameled subtop					•	•	•	•	•	•	
One-piece drip pans	Grey Taupe Black Black	Opt. Access.			Opt. Access.	Opt. Access.	Opt. Access.	Opt. Access.	Opt. Access.	Opt. Access.	
Removable square grates	Deluxe Porcelain-Steel	Black Standard Porcelain-Steel	Continuous Wire	Continuous Wire	Black Standard Porcelain-Steel	Grey Standard Porcelain-Steel	Black Standard Porcelain-Steel	Black Standard Porcelain-Steel	Black Standard Porcelain-Steel	1-Piece Wire	
Griddle			Non-stick	Non-stick							
Ignition system	Electronic	Electronic	Electronic	Electronic	Electronic	Electronic	Electronic	Electronic Pilot†	Electronic Pilot†	Pilot†	
Oven racks	2	2	2	1	2	2	2	2	2	2	
Six embossed rack positions	•	•	•	•	•	•	•	•	•	•	
Extra-large broiler pan/grid	•	•	•	•	•	•	•	•	•	•	
Porcelain-enameled backguard	•	•	Glass	•	•	•	•	•	•	•	
Interior oven light	•	•	•	•	•	•	•	•	•	•	
Broiler drawer	Slide-out	Slide-out	Drop-down		•	•	•	•	•	Drop-down	
Color appearance*	WW CC BB WH/CT	WH/CT	WW CC BB	WW	WH/CT WH/AD	WW	WH/CT WW	WH/CT	WH/CT	WH/AD	
Frameless oven door	White Glass Bisque Glass Black Glass Black Glass	Black Glass	White Glass Bisque Glass Black Glass	White Porc-Enam.	Black Glass	White Glass	CM* Porcelain-Enameled White Porcelain-Enameled	Solid Black Glass	CM* Porcelain-Enameled	CM* Porcelain-Enameled	
Oven door with window	Big View	•	•	•	•	•	•	•	•	•	
Designer-style handle	•	•	•	•	•	•	•	•	Chrome Visor	Chrome Visor	
Four leveling legs	•	•	•	•	•	•	•	•	•	•	
Overall oven interior dimensions (WxHxD in inches)	24 x 17 x 19										
Approx. shipping weight (lbs.)	180	170	160	160	175	175	175 / 165	165	165	160	
Top burners (000's BTU's) Nat/LP	(1) 12.0/11.0 (1) 5.0/5.0 (2) 9.5/9.5	(4) 9.5/9.5	(1) 8.0/8.0 BTU (3) 7.0/7.0 BTU (1) 6.0/6.0 BTU	(1) 8.0/8.0 BTU (3) 7.0/7.0 BTU (1) 6.0/6.0 BTU	(4) 9.0/8.0						
Oven/broiler burners (000's BTU's) Nat/LP	18.0/16.5										
Gas range electrical rating**	120V, 60Hz., 5A										
LP conversion kit (included)	•	•	•	•	•	•	•	•	•	•	

*SS = Stainless steel with black accents, WW = White with white glass door, CC = Bisque with bisque glass door, BB = Black with black glass door, WH = White with black glass door, CT = Bisque with black glass door.
 CM = Color-Matched indicates color of oven door or storage drawer matches range cooktop (either white, bisque or almond).
 **Electrical rating not applicable to standing pilot models.
 †JGBS04BPA, JGBS04PPA and JGBS03PPA have standing pilot ignition.
 Factory set for Natural Gas. A set of LP orifices is included with each range for LP conversion.
 Note: Model JGBS03PPA does not have a flamespreader in broiler compartment.

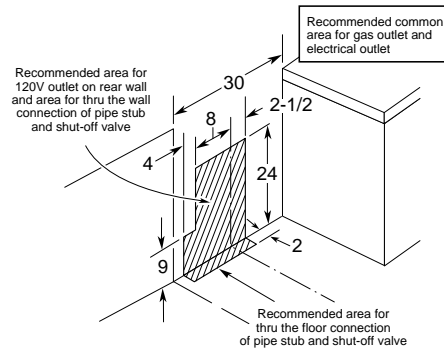
Installation Information Dimensions (in inches)



210 See page 156 for warranty information.

Model	A	B	C*	D	E
JGBS23	30	46-1/2	26-1/4	46-3/8	36 ± 1/4
JGBS22	30	46-1/2	26-1/4	46-3/8	36 ± 1/4
JGBS10	30	45	25-5/16	46-1/4	36 ± 1/4
JGBS09	30	45	25-5/16	46-1/4	36 ± 1/4
JGBC20	30	46-1/2	26-1/4	46-3/8	36 ± 1/4
JGBS20	30	46-1/2	26-1/4	46-3/8	36 ± 1/4
JGBC20	30	46-1/2	26-1/4	46-3/8	36 ± 1/4
JGBS20	30	46-1/2	26-1/4	46-3/8	36 ± 1/4
JGBS17	30	46-1/2	26-1/4	46-1/4	36 ± 1/4
JGBS07	30	45-1/2	26-1/4	46-1/4	36 ± 1/4
JGBS04	30	45-1/2	26-1/4	46-3/8	36 ± 1/4
JGBS04	30	45-1/2	25-5/16	46-1/4	36 ± 1/4
JGBS03	30	40	25-5/16	46-1/4	36 ± 1/4

*Dimension from wall to front of closed door handle is 29".
 On models JGBS04 and JGBS03 the dimension is 27-7/16".
 25-1/4"—Depth to front top edge of cooktop.



Gas Self-Clean Range Anti-Tip Bracket
 (Part No. 205C1714P001) JGBS23/22/20/17/10/09/07/05/04/03



All GE ranges are equipped with an Anti-Tip device. The installation of this device is an important, required step in the installation of the range.



Slide-Out Hoods

Features	GE Profile™							
	JV960SC	JV930SC	JV696S	JV695S	JV694S	JV396S	JV395S	JV394S
Variable-speed fan control	●	●	●	●	●	●	●	●
Auto heat sensor	●	●	●	●	●	●	●	●
Vertical exhaust (CFM)	300	300	300	300	300	300	300	300
Sones rating: Top exhaust	4.5	4.5	4.5	4.5	4.5	4.5	4.5	4.5
Removable grease filter*	●	●	●	●	●	●	●	●
Filter size (sq. in.)	147	147	147	147	147	147	147	147
Cooktop light	●	●	●	●	●	●	●	●
3-1/4" x 10" rectangular duct	●	●	●	●	●	●	●	●
Appearance								
Color appearance**	BA	BA	CC	WW	BB	CC	WW	BB
Weights & Dimensions								
Width (in inches)	36	30	36	36	36	30	30	30
Approx. shipping weight (lbs.)	43	40	43	43	43	40	40	40
Power/Ratings								
Current rating amps @ 120V	3.7	3.7	3.7	3.7	3.7	3.7	3.7	3.7

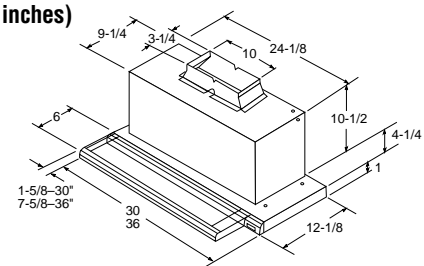
*Has washable one-piece smoke/grease filter.
**WW = White on white, BB = Black on black, CC = Bisque on bisque, BA = Brushed Aluminum.

Note: These vented hoods include an installed damper.
Note: The unit is ducted vertically. Horizontal ducting can be accomplished as shown.
Note: Remove glass visor from unit before installing hood in cabinet to protect visor from damage.
Installation Information: Before installing, consult Use & Care/installation instructions packed with product for current dimensional data.

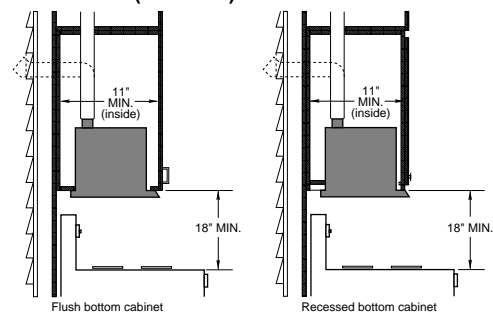


GEAppliances.com

Installation Information (in inches)



Dimensions (in inches)



Telescopic Downdraft Systems

Features	GE Profile	
	JVB96SA	JVB93SA
Variable-speed fan control	●	●
Downdraft exhaust (CFM)	500	500
3-1/4" x 10" rectangular duct	●	●
Removable grease filters	●	●
Appearance		
Color appearance	Stainless	Stainless
Weights & Dimensions		
Width (in inches)	36	30
Approx. shipping weight (lbs.)	62	60
Power/Ratings		
Current rating amps @ 120V	4.0	4.0

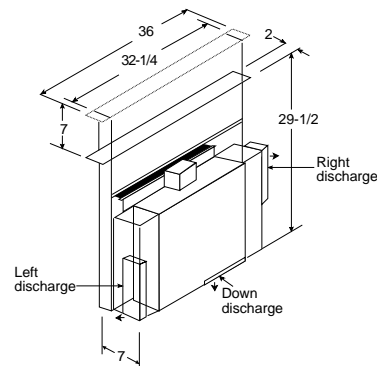
Note: Approved for use with GE Profile and GE electric and sealed burner gas cooktops.

Note: Telescopic downdraft vents are not recommended to be installed with cooktops that are flush mounted.

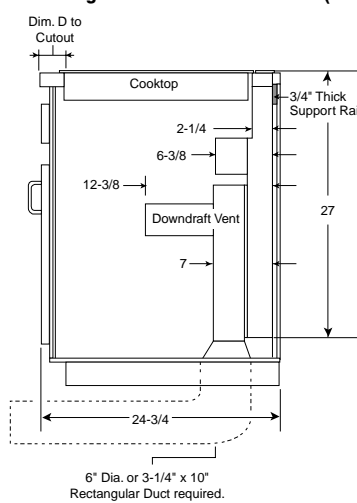
Note: The countertop must be at least 26" deep with a flat surface area of 23-1/2" or more, front to back. In addition, other clearances to the front edge of the countertop must be considered.

Installation Information: Before installing, consult installation instructions packed with product for current dimensional data.

Overall Dimensions (in inches) Model JVB96SA



Venting Island to Outside Wall (in inches)

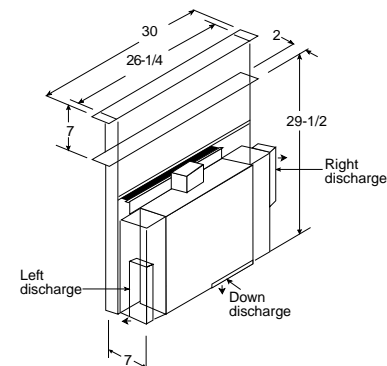


Note: Dimensions shown are for reference only. Before cutting out countertop, refer to instructions packed with **downdraft and cooktop**.

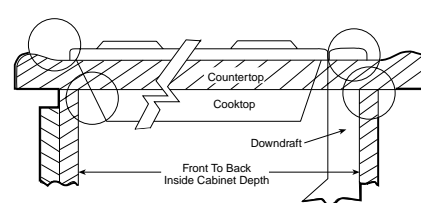
Note: Duct run not to exceed 100 equivalent feet.

Note: Installation in cabinets/countertops against the wall will not be possible in most applications.

Model JVB93SA



Counter Cutout Information



Pay special attention to the four areas of potential interference circled above. 2" of **FLAT** countertop is needed behind rear edge of cooktop to accommodate downdraft vent cover.

Approved for use with the following GE cooktops—36" and 30" Calrod® models, 36" and 30" radiant models, 30" solid disk models, 36" and 30" gas sealed burner models and 36" and 30" induction models. **Not approved for use with standard burner gas cooktops.**

See page 156 for warranty information.

211



Refrigeration

Cooking Products

Microwave Ovens

Dishwashers

Clothes Care

Water Systems

Air Conditioning

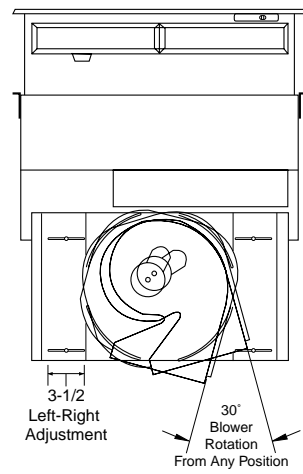
Telescopic Downdraft Systems

	GE Profile™	
	JVB67AWW JVB67ACC JVB67ABB	JVB37AWW JVB37ACC JVB37ABB
Features		
Upfront variable-speed fan w/slide control	•	•
Separate remote raise/lower switch	•	•
Downdraft exhaust (CFM)	350	350
Optional blower mount capabilities	•	•
3-1/4" x 10" rectangular duct	•	•
Minimum 6" round duct capability	•	•
Removable grease filters	•	•
Appearance		
Color appearance*	WW CC BB	WW CC BB
Cover plate	White Bisque Black	White Bisque Black
Telescopic snorkel assembly	Black	Black
Weights & Dimensions		
Width (in inches)	36	30
Approx. shipping weight (lbs.)	76	72
Power/Ratings		
Current rating amps @ 120V	4.0	4.0

*WW = White on white, CC = Bisque on bisque, BB = Black on black.

Note: Approved for use with GE Profile and GE® electric and sealed burner gas cooktops.

Blower Position



Note: Telescopic downdraft vents are not recommended to be installed with cooktops that are flush mounted.

Approved for use with the following GE Profile and GE cooktops—36" and 30" electric models, 36" and 30" gas sealed burner models and 36" and 30" induction models.

Not approved for use with standard burner gas cooktops.

Note: The countertop must be at least 26" deep with a flat surface area of 23-1/2" or more, front to back. In addition, other clearances to the front edge of the countertop must be considered.

Note: Dimensions shown are for reference only. Before cutting out countertop, refer to instructions packed with **downdraft and cooktop**.

Note: Installation in cabinets/countertops against the wall will not be possible in most applications. Against the wall installations are limited to dimension requirements. Refer to installation instructions packed with product for further details.

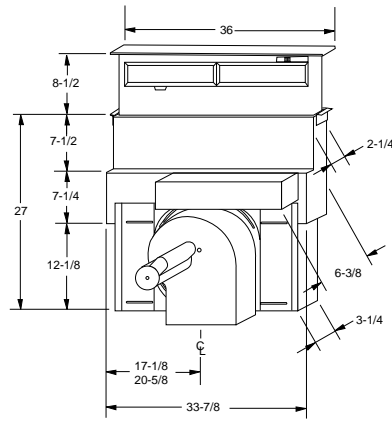
JXBC57 Outdoor Cover. Optional accessory may be ordered for installation of motor and blower assembly on outside wall.

JXR57 Indoor Remote Accessory. Optional accessory may be ordered for installation of motor and blower assembly in an indoor remote location.

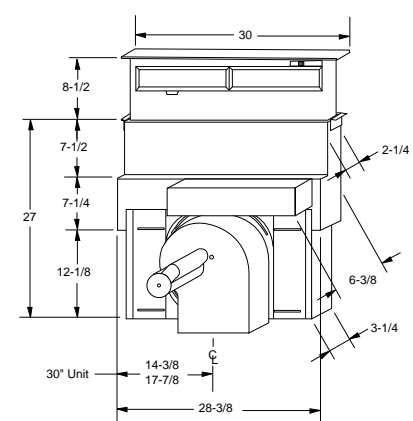
See page 156 for warranty information.

212

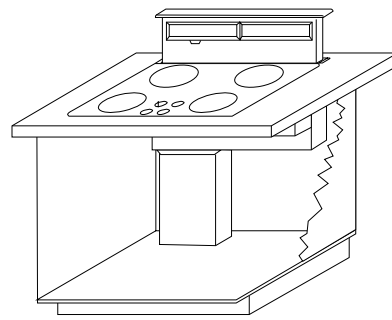
Overall Dimensions (in inches) Model JVB67



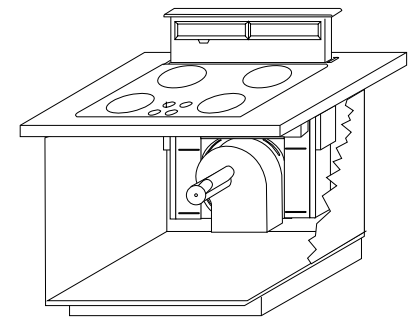
Model JVB37



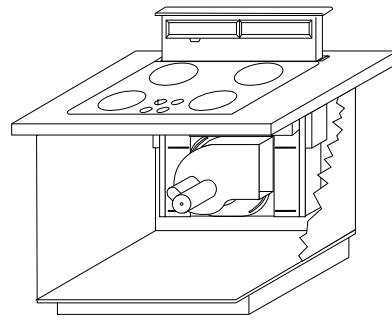
Venting Options (Through the Floor)



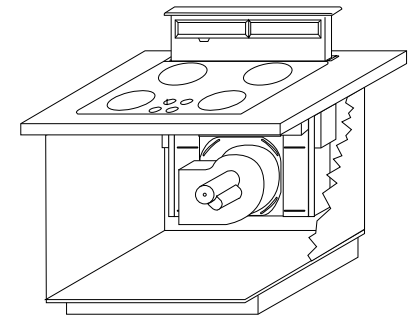
In Cabinet Discharge (Down)



In Cabinet Discharge (Right)



In Cabinet Discharge (Left)





36" and 30" Designer Hoods

	GE Profile			
	JV966D	JV965D	JV936D	JV935D
General				
Width	36"	36"	30"	30"
Height	18"	18"	18"	18"
Features				
Ducting	Vertical Only	Vertical Only	Vertical Only	Vertical Only
Duct size	7" round	7" round	7" round	7" round
CFM rating	600	600	600	600
Sones rating	7	7	7	7
Filters	•	•	•	•
Filter cleaning	Dishwasher-Safe	Dishwasher-Safe	Dishwasher-Safe	Dishwasher-Safe
Lighting	Dual Halogen	Dual Halogen	Dual Halogen	Dual Halogen
Control type	Manual	Manual	Manual	Manual
Control location	Hidden	Hidden	Hidden	Hidden
Four-speed fan control	•	•	•	•
Light settings	Off/High/Night	Off/High/Night	Off/High/Night	Off/High/Night
Blower/light switch color	Black	Black/White/Bisque	Black	Black/White/Bisque
Appearance				
Color appearance*	SS	WW/CC/BB	SS	WW/CC/BB
Weights & Dimensions				
Approx. shipping weight (lbs.)	77	77	68	68
Power/Ratings				
Current rating Amps @ 120V	3.9	3.9	3.9	3.9
Accessories/Kits				
Baffle filter kit	•	•	•	•
Optional chimney kit	•	•	•	•

*SS = Stainless steel, WW = White on white, CC = Bisque on bisque, BB = Black on black.

Optional Kits for 36" Designer Hoods

JXBF36SS—36" Commercial Filter
 JXCHSS—Stainless Chimney Kit
 JXCHWW—White Chimney Kit
 JXCHCC—Bisque Chimney Kit
 JXCHBB—Black Chimney Kit
 JXDW1—7" round to 3-1/4" x 10" rectangular duct transition for rear wall discharge.

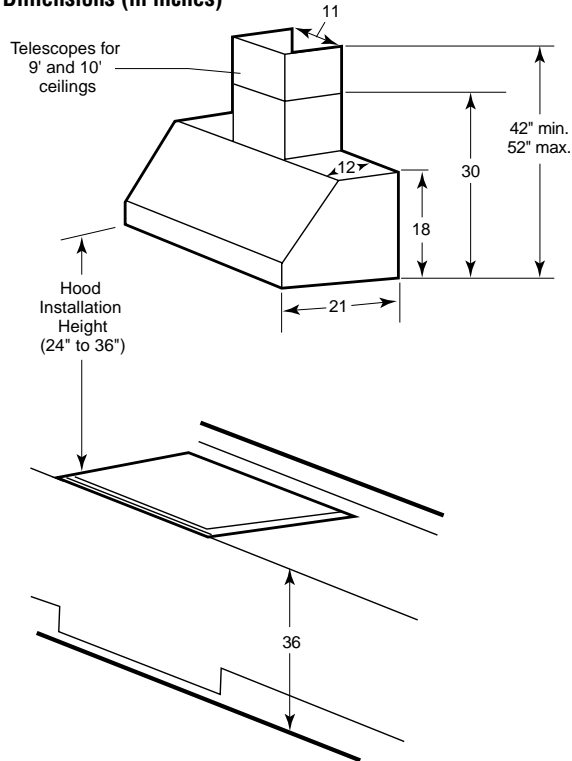
Optional Kits for 30" Designer Hoods

JXBF30SS—30" Commercial Filter
 JXCHSS—Stainless Chimney Kit
 JXCHWW—White Chimney Kit
 JXCHCC—Bisque Chimney Kit
 JXCHBB—Black Chimney Kit
 JXDW1—7" round to 3-1/4" x 10" rectangular duct transition for rear wall discharge.

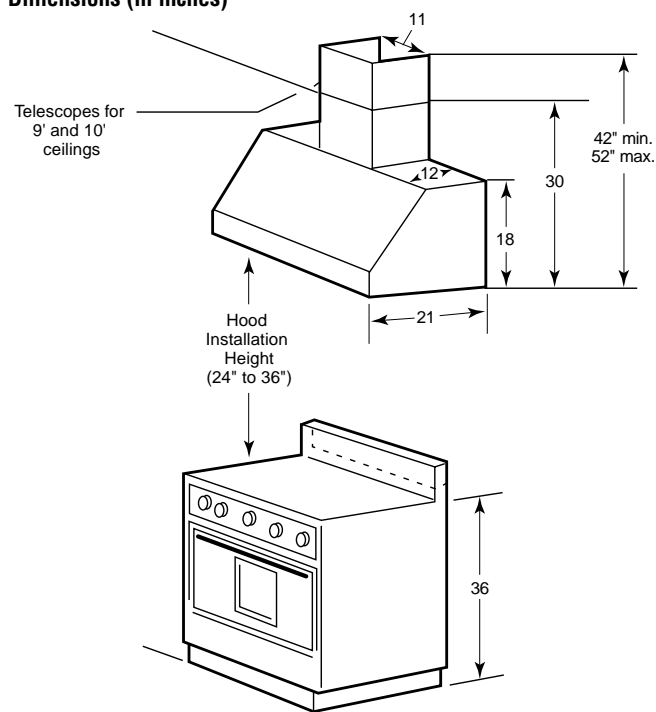


Installation Information: Before installing, consult installation instructions packed with product for current dimensional data.

Installed Above a Cooktop (Shown with Optional Chimney Kit) Dimensions (in inches)



Installed Above a Range (Shown with Optional Chimney Kit) Dimensions (in inches)



See page 156 for warranty information.



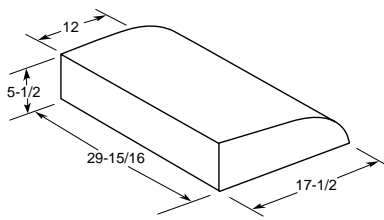
Hoods

Width	GE Profile™						GE®		
	High-Performance		Performance		Deluxe	Standard			
30"									
36"	JV666C	JV665C	JV636C	JV635C	JV536C	JV535C	JV347H	JV338H	JN327H
Features									
Two-speed fan control					•	•		•	•
Three-speed fan control			With boost	With boost			•		
Four-speed fan control	•	•							
Vertical exhaust (CFM)	350	350	350	350	190	190	200	170	
Rear exhaust (CFM)	400	400	400	400	200	200	180	160	
Damper included (rectangular)	•	•	•	•	•	•	•	•	
Optional damper accessory (round)	JXDA23	JXDA23	JXDA23	JXDA23	JXDA23	JXDA23	JXDA22	JXDA22	
Sones rating:									
Top exhaust	4.0/7.0*	4.0/7.0*	4.0/7.0*	4.0/7.0*	4.0	4.0	6.0	6.0	5.0
Rear exhaust	4.0/7.0*	4.0/7.0*	4.0/7.7*	4.0/7.7*	4.0	4.0	7.0	7.0	5.0
Removable grease filters	2†	2†	2†	2†	2††	2††	Disposable 1-Pc. Filter†††	1†††	Disposable 1-Pc. Filter†††
Filter size (sq. in.)	207	207	171	171	171/207	171/207	90	90	90
Cooktop light(s) **	2 Halogen (50 watt)	2 Halogen (50 watt)	2 Halogen (50 watt)	2 Halogen (50 watt)	2 Halogen (50 watt)	2 Halogen (50 watt)	1	1	1
Night light position on light switch	•	•	•	•	•	•	•	•	
3-1/4" x 10" rectangular duct	•	•	•	•	•	•	•	•	
7" round duct	•	•	•	•	•	•	•	•	
Non-vented					•	•			•
Silverstone underside coating	•	•	•	•					
Appearance									
Color appearance***	SS	WW/BB	SS	WW/BB	SS	WW/CC/BB	WW/CC/BB	WW/CC	WW/CC/AA
Weights & Dimensions									
Approx. shipping weight (lbs.)	35	35	30	30	30	30	20	17	19
Power/Ratings									
Current rating amps @ 120V	2.5	2.5	2.5	2.5	1.4	1.4	2.5	2.5	2.5

*Top exhaust soles rating when in boost mode.
 **Light bulbs not furnished.
 ***SS = Stainless steel, WW = White on white, CC = Bisque on bisque, AA = Almond on almond, BB = Black on black.
 †WB02X10713 (30") or WB02X10710 (36") removable grease filter is available for additional cost. Call toll-free 800.626.2002 (Models JV666/665 and JV636/635).
 ††WB02X10709 (30") or WB02X10706 (36") removable grease filter and WB02X10707 (30") or WB02X10708 (36") removable charcoal filter are available for additional cost. Call toll-free 800.626.2002 (Models JV566/565 and JV536/535).
 †††WB02X9381 replacement grease filter and WB02X10700 replacement charcoal filter are available for additional cost. Call toll-free 800.626.2002 (Models JV347/327/337 and JN327).

Dimensions (in inches)

Model	A	B	C	D
JV666/JV665	7-1/4	35-7/8	20	12
JV636/JV635	7-1/4	29-7/8	20	12
JV536/JV535	7-1/4	29-7/8	20	12
JV566/JV565	7-1/4	35-7/8	20	12
JV347	5-1/2	29-15/16	17-1/2	12
JV338	5-1/2	29-7/8	17-1/2	12
JN327	5-1/2	29-15/16	17-1/2	12



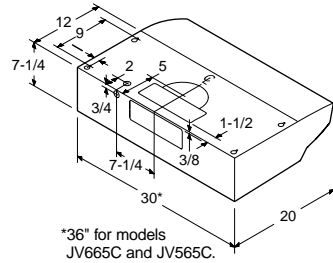
JXHC1 Cord Kit

Allows a receptacle in the cabinet over the range to accommodate either an over-the-range microwave oven or a standard hood.

Hood Dimensions (in inches)

1 Models JV666C, JV665C, JV636C, JV635C, JV536C, JV535C, JV566C and JV565C

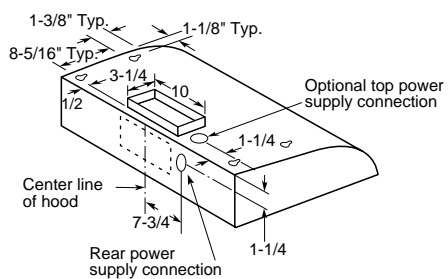
Exhaust outlet connects to 3-1/4" x 10" duct (vertically or horizontally) and 7" round (vertically). Includes rectangular damper and 7" round damper adapter. Round damper accessory, JXDA23 available at additional cost.



*36" for models JV665C and JV565C.

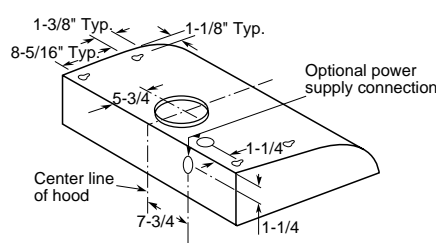
2 Models JV347H* and JV338H

*JV347H—Refer to this drawing for rectangular exhaust option. Refer to drawing 3 for round exhaust option. Exhaust outlet connects to 3-1/4" x 10" rectangular duct. Vent top or rear. Includes rectangular damper.

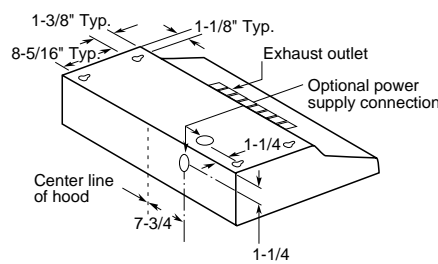


3 Model JV347H*

*JV347H—Refer to this drawing for round exhaust option. Refer to drawing 2 for rectangular exhaust option. Exhaust outlet connects to 7" diameter duct. Vent top only. Round damper accessory, JXDA22, available at additional cost.



4 Model JN327H



(JV347 and JV338 only)



Listed by Underwriters Laboratories

Installation Information: Before installing, consult installation instructions packed with product for current dimensional data.

See page 156 for warranty information.

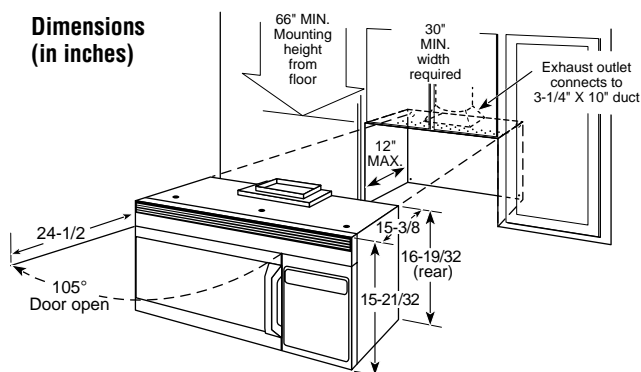
Spacemaker® Convection/Microwave Ovens

GEAppliances.com

	GE Profile™	
	JVM1490SD	JVM1490WD JVM1490CD JVM1490BD
Capacity		
Oven cavity (cu. ft.)	1.4	1.4
Features		
Watts (IEC-705 Test Procedure)	900	900
Controls	Membrane/Dial	Membrane/Dial
SmartControl system w/interactive display	•	•
Electronic scrolling digital display w/clock and AM/PM	•	•
Variable scroll speed	•	•
Help pad	•	•
Concurrent programming	•	•
Display On/Off	•	•
Bilingual display (English/Spanish)	•	•
Cavity lighting	Halogen	Halogen
Cooktop lighting	Halogen	Halogen
Sensor controls		
	Chicken, Fish, Potato	Chicken, Fish, Potato
Cook	•	•
Beverage	•	•
Popcorn	•	•
Reheat	•	•
Vegetables (canned/fresh/frozen)	•	•
Convection controls		
Convection bake	•	•
Fast Bake	•	•
Express Cook (1-6 minutes)	•	•
Instant On controls	•	•
Time cook	I & II	I & II
Add 30 seconds	•	•
Temp cook	•	•
Auto/Time defrost	•/•	•/•
Fast defrost	•	•
Power levels	10	10
Programmable night light	•	•
Timer On/Off	•	•
Variable beeper volume control	•	•
Cooking complete reminder	•	•
Child lockout	•	•
Two-speed venting	•	•
Appearance		
Color appearance	Stainless steel	White on white Bisque on bisque Black on black
Case color	Black	White Bisque Black
Designer-style handle	•	•
Weights & Dimensions		
WxHxD	Cavity	21-3/32 x 8-7/32 x 14-3/32
(in inches)	Exterior	29-7/8 x 15-21/32 x 15-3/8
Approx. shipping weight (lbs.)		98
Power/Ratings		
2450 Frequency (MHz)		•
Electrical input @ 120V	Watts	1800
	Amperage	15
Accessories		
Convection rack	•	•
Cooking guide	•	•
Cookbook	•	•
Warranty		
Full one-year in home warranty*	•	•
Limited nine-year magnetron warranty* (10 years total)	•	•

*See written warranty for details.

Dimensions (in inches)



Ventilation Options

The Spacemaker convection/microwave and Spacemaker microwave ovens are designed for adaptation to the following three types of ventilation:

Outside Exhaust (Vertical—as shown above)

Outside Exhaust (Horizontal)

Recirculating (Non-vented ductless—see Filter Kit Drawing, order JX81, JX81A or JX81B)

Requires 120V grounded outlet. Electrical receptacle must be located in cabinet above Spacemaker microwave/convection and Spacemaker microwave ovens. No additional wiring, venting or cabinet rebuilding necessary in many cases. Complete detailed, easy-to-follow installation instructions and convenient full-size templates are packed with product.

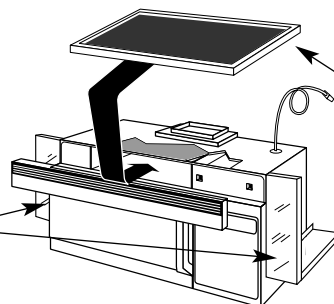
Important: When installing these ovens over a range, allow minimum of 2" from bottom of microwave oven to top of range backguard to allow for removal of light covers.

Optional Accessories (Available at additional cost)

Filler Panel Kit

See below for part numbers.

When replacing a 36" or 42" range hood, this kit fills in the additional width to provide a custom built-in appearance. For installation between cabinets only; not for end-of-cabinet installation. Each kit contains two 3"-wide filler panels. Two kits are needed for a 42" opening.

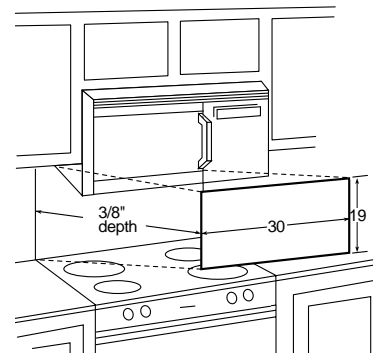


Recirculating Charcoal Filter Kit

See below for part numbers.

To be used when the Spacemaker microwave oven cannot be vented to the outside. (Included with non-vented models.)

Model	Recirculating Charcoal Filter Kit	Filler Panel Kit	Decorative Panel Kit
JVM1430WD	JX81A	JX40WH/JX46WH	-
JVM1430BD	JX81A	JX41/JX46BL	-
JVM1440WD	JX81A	JX46WH	JX22SS
JVM1440BD	JX81A	JX46BL	JX22SS
JVM1490SD	JX81A	JX41	JX22SS
JVM1490WD	JX81A	JX40WH	JX22SS
JVM1490CD	JX81A	JX40CT	JX22SS
JVM1490BD	JX81A	JX41	JX22SS
JVM1630WH	JX81D	JX48	JX22SS
JVM1630BH	JX81D	JX48	JX22SS
JVM1640WH	JX81D	JX48WH	JX22SS
JVM1640AH	JX81D	JX48AL	JX22SS
JVM1640BH	JX81D	JX48BL	JX22SS
JVM1650SB	JX81A	JX48	JX22SS
JVM1650WB	JX81A	JX48WH	JX22SS
JVM1650CB	JX81A	JX48	JX22SS
JVM1650BB	JX81A	JX48BL	JX22SS
JVM1850WF	JX81B	JX52WH	JX22SS
JVM1850CF	JX81B	JX52CT	JX22SS
JVM1850BF	JX81B	JX52BL	JX22SS
JVM1860SF	JX81B	JX52BL	JX22SS
JVM1860WF	JX81B	JX52WH	JX22SS
JVM1860CF	JX81B	JX52CT	JX22SS
JVM1860BF	JX81B	JX52BL	JX22SS
JVM1870SF	JX81B	JX52BL	JX22SS
JVM1870WF	JX81B	JX52WH	JX22SS
JVM1870CF	JX81B	JX52CT	JX22SS
JVM1870BF	JX81B	JX52BL	JX22SS
JVM3670SF	JX81B	-	-
JVM3670WF	JX81B	-	-
JVM3670CF	JX81B	-	-
JVM3670BF	JX81B	-	-
JVM2050WH	JX81H	JX52WH	JX22SS
JVM2050CH	JX81H	JX52CT	JX22SS
JVM2050BH	JX81H	JX52BL	JX22SS
JVM2070SH	JX81H	JX52BL	JX22SS
JVM2070WH	JX81H	JX52WH	JX22SS
JVM2070CH	JX81H	JX52CT	JX22SS
JVM2070BH	JX81H	JX52BL	JX22SS



JX22SS—Stainless Steel Decorative Panel Kit

When replacing a Hi/Low range with a Spacemaker microwave/convection oven or Spacemaker over a range model, this panel kit fills in the area between the microwave and range left by the Hi/Low model.



This information is not intended to be used for installing unit described. Before installing, consult installation instructions packed with product/kit for current dimensional data.

See page 156 for warranty information.

Refrigeration

Cooking Products

Microwave Ovens

Dishwashers

Clothes Care

Water Systems

Air Conditioning

Convection/Microwave Wall Ovens

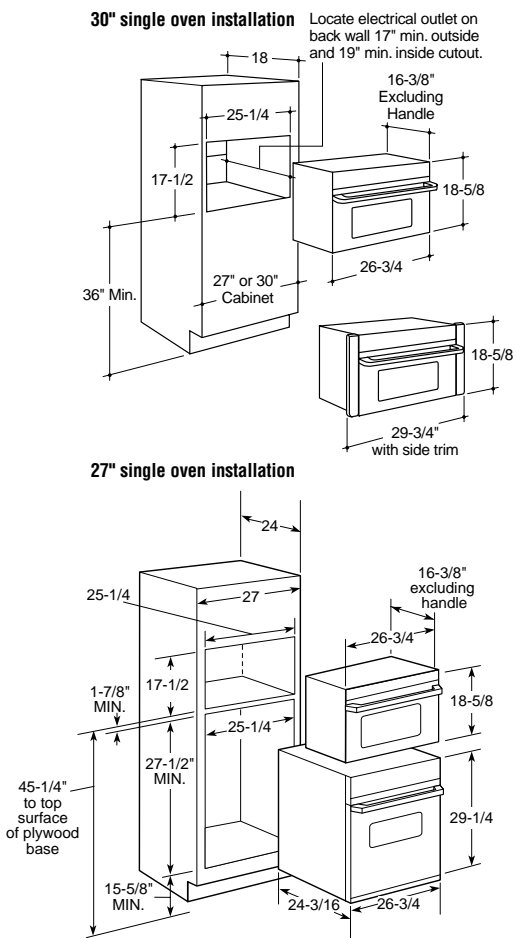
	GE Profile™	
	JEB1095SB	JEB1095WB JEB1095CB JEB1095BB
Capacity		
Oven cavity (cu. ft.)	1.0	1.0
Features		
Watts (IEC-705 Test Procedure)	800	800
Electronic touch controls	•	•
Electronic digital display w/clock	•	•
Sensor controls		
Beverage	•	•
Cook	•	•
Popcorn	•	•
Reheat	•	•
Convection cook	•	•
Combination cook	•	•
Combination roast (probe)	•	•
Express Cook	•	•
Instant On controls	•	•
Time cook	I & II	I & II
Add 30 seconds	•	•
Temp cook/Hold (probe)	•	•
Auto defrost	•	•
Time defrost	•	•
Power levels	10	10
Delay/Start reminder	•	•
Minute pad	•	•
Program cooking	5-Stage	5-Stage
Kitchen timer	99-M./99-S. Digital	99-M./99-S. Digital
Variable beeper volume	•	•
Cooking complete reminder	•	•
Appearance		
Color appearance*	SS	WW/CC/BB
Case color	Black	White/Bisque/Black
Designer-style handle	•	•
Weights & Dimensions		
Cavity	18x8-3/16x11-1/2	
WxHxD (in inches)	Exterior†	26-3/4x18-5/8x16-3/8
Approx. shipping weight (lbs.)		84
Power/Ratings		
2450 Frequency (MHz)	•	•
Electrical input	Watts	1450
@ 120V	Amperage	13.0
Accessories		
Deluxe cookbook	•	•
Wire oven rack	•	•
Broil pan	•	•
30" trim kit (included)	•	•
Warranty		
Full one-year in-home warranty**	•	•
Limited nine-year magnetron warranty** (10 years total)	•	•

*SS = Stainless steel, WW = White on white, CC = Bisque on bisque, BB = Black on black.

**See written warranty for details.

†Exterior dimensions: depth excludes handle.

Cutout and Dimensional Information (in inches)



This information is not intended to be used for installing unit described. Before installing, consult installation instructions packed with product/kit for current dimensional data.



Listed by
Underwriters
Laboratories

GE Profile Spacemaker® 2.0 Microwave Oven

	GE Profile™	
	JVM2070SH	JVM2070WH JVM2070CH JVM2070BH
Capacity		
Cavity size	2.0	2.0
Features		
Watts (IEC-705 test procedure)	1100	1100
EasyGuide™ menu system	●	●
Sensor controls	●	●
Power levels	10	10
Dual-distribution cooking system	●	●
Kitchen timer	●	●
300-CFM vent fan	Lo/mid/high/off + Boost	Lo/mid/high/off + Boost
Halogen cooktop lighting	●	●
Recessed turntable	●	●
Turntable on/off	●	●
Easy mount installation	●	●
COOK Touch Control Features		
Express Cook	Instant-on 30 sec & 1 - 7 minutes	Instant-on 30 sec & 1 - 7 minutes
Time Cook and Time Cook I & II	●	●
Add 30 Sec	●	●
Select Food	●	●
Select Beverage	●	●
Soften	●	●
Melt	●	●
Delay Start	●	●
REHEAT Touch Control Features		
Select food/beverage	●	●
DEFROST Touch Control Features		
Select time	●	●
Select weight	●	●
Select food	●	●
1 lb. Quick Defrost	●	●
Soften	●	●
Melt	●	●
Delay	●	●
CUSTOM 1 and 2 Touch Controls		
OPTIONS Touch Control Features		
Reminder (24hr.)	●	●
Beeper volume	●	●
Filter reminder	●	●
Clock w/ clock saver	●	●
Child lockout	●	●
Cooking complete reminder	●	●
Display on/off	Auto sleep mode	Auto sleep mode
Help Key	●	●
Sleep Mode/Wake up Touch	●	●
Auto night light	●	●
Interactive demo mode	●	●
Appearance		
Color appearance*	SS	WW/CC/BB
Case color	Black	White/Bisque/Black
LED, LCD Display control panel	with tactile vent/light buttons	with tactile vent/light buttons
Sculptured handle	●	●
Weights & Dimensions		
WxHxD Cavity	21-9/16 x 10-9/16 x 14-13/16	
(in inches) Exterior **	29-7/8 x 16-11/32 x 15-7/16	
Approx. shipping weight	66	66
Power/Ratings		
Input Volt/Hertz	120/60	120/60
Input Amps/Watts (max)	15/1480	15/1480
Accessories		
Oven rack(s)	2 (2 positions)	2 (2 positions)
Warranty		
Full one-year in-home warranty†	●	●
Limited nine-year magnetron warranty†	●	●

*SS = Stainless steel, WW = White on white, CC = Bisque on bisque, BB = Black on black.
**Exterior dimensions: depth excludes handle.
†See warranty for details.

GE Profile Spacemaker Microwave Ovens

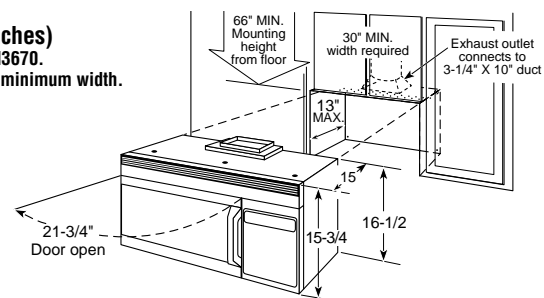
GEAppliances.com

	GE Profile		
	JVM3670SF JVM3670WF JVM3670CF JVM3670BF	JVM1870SF JVM1870WF JVM1870CF JVM1870BF	JVM1860SF JVM1861SF* JVM1860WF JVM1860CF JVM1860BF
Capacity			
Oven cavity (cu. ft.)	1.8	1.8	1.8
Features			
Watts (IEC-705 Test Procedure)	1100	1100	1100
Electronic touch controls	●	●	●
SmartControl system w/interactive display	●	●	●
Scrolling display	2 Line	2 Line	2 Line
Clock and AM/PM pad	●	●	●
Variable scroll speed	●	●	●
Help pad	●	●	●
Concurrent programming	●	●	●
Bilingual display (English/Spanish)	●	●	●
Sensor controls			
Beverage	●	●	●
Chicken/Fish	●	●	●
Popcorn	●	●	●
Potatoes	●	●	●
Reheat	●	●	●
Vegetables	●	●	●
Custom pads	●	●	●
Express Cook (1-6 min.)	●	●	●
Instant On controls	●	●	●
Time cook	I & II	I & II	I & II
Add 30 seconds	●	●	●
Auto/Time/1 lb. Quick Defrost	●/●/●	●/●/●	●/●/●
Power levels	10	10	10
Delay Start/Reminder	●	●	●
CircuWave™ 1100 cooking system	●	●	●
Recessed turntable	●	●	●
Turntable On/Off	●	●	●
Halogen interior/cooktop lighting	●	●	●
Programmable night light	●	●	●
Timer On/Off	●	●	●
Cooking complete reminder	●	●	●
Child lockout	●	●	●
300-CFM exhaust fan	3-Speed plus Boost	3-Speed plus Boost	3-Speed plus Boost
Appearance			
Color appearance**	SS/WW/CC/BB	SS/WW/CC/BB	SS/WW/CC/BB
Case color	Black/White/Bisque/Black	Black/White/Bisque/Black	Black/White/Bisque/Black
Sculptured handle	●	●	●
Big view window	Bright view	Bright view	Bright view
Weights & Dimensions			
36" width application	●		
Cavity	21-29/32 x 9-1/2 x 14-19/32	21-29/32 x 9-1/2 x 14-19/32	
WxHxD (in inches) Exterior †	35-7/8 x 16-13/32 (rear) x 15	29-7/8 x 16-13/32 (rear) x 15	
Approx. shipping weight (lbs.)	69	67	67
Power/Ratings			
2450 Frequency (MHz)	●	●	●
Electrical input Watts @ 120V	1480	1480	1480
Amperage	15	15	15
Accessories			
Cooking guide label	●	●	●
Cookbook	●	●	●
Oven rack(s)	1	2	2
Warranty			
Full one-year in-home warranty††	●	●	●
Limited nine-year magnetron warranty††† (10 years total)	●	●	●

*Non-vented model.
**SS = Stainless steel, WW = White on white, CC = Bisque on bisque, BB = Black on black.
†Exterior dimensions: depth excludes handle.
††See warranty for details.

Dimensions (in inches) All models except JVM3670. JVM3670 requires 36" minimum width.

This information is not intended to be used for installing unit described. Before installing, consult installation instructions packed with product/kit for current dimensional data.



See page 156 for warranty information.

GE Spacemaker® Microwave Ovens

GE®							
	JVM2050WH JVM2050CH JVM2050BH	JVM1850WF JVM1851WF* JVM1850CF JVM1851CF* JVM1850BF JVM1851BF*	JVM1650SB JVM1650WB JVM1650CB JVM1650BB	JVM1640WH JVM1640AH JVM1640BH	JVM1630WH JVM1631WH* JVM1630CH JVM1631CH* JVM1630BH JVM1631BH*	JVM1440WD JVM1441WD* JVM1440BD JVM1441BD*	JVM1430WD JVM1430BD
Capacity							
Oven cavity (cu. ft.)	2.0	1.8	1.6	1.6	1.6	1.4	1.4
Features							
Watts (IEC-705 Test Procedure)	1100	1100	1000	1000	1000	950	950
Electronic touch controls	•	•	•	•	•	•	•
SmartControl system w/interactive display	•	•	•	•	•	•	•
Scrolling display	2 Line	2 Line	1 Line	1 Line	1 Line	1 Line	
Clock and AM/PM pad	•	•	•	•	•	•	•
Variable scroll speed	•	•	•	•	•	•	•
Help pad	•	•	•	•	•	•	•
Concurrent programming	•	•	•	•	•	•	•
Bilingual display (English/Spanish)	•	•					
Sensor controls							
Beverage	•	•	•				
Popcorn	•	•	•				
Potatoes	•	•	•				
Reheat	•	•	•				
Vegetables	•	•	•				
Custom pads	•	•	•				
Convenience controls							
Beverage			•	•	•	•	•
Cook			•	•	•	•	•
Popcorn			•	•	•	•	•
Reheat			•	•	•	•	•
Snacks			•	•	•	•	•
Express Cook (1-6 min.)	•	•	•	•	•	•	•
Instant On controls	•	•	•	•	•	•	•
Time cook	•	I & II	I & II	I & II	I & II	I & II	I & II
Add 30 seconds	•	•	•	•	•	•	•
Auto/Time Defrost	•/•	•/•	•/•	•/•	•/•	•/•	•/•
1 lb. Quick Defrost	•	•	•	•	•	•	•
Power levels	10	10	10	10	10	10	10
Delay Start/Reminder	•	•	•	•	•	•/-	•
Cooking system	Dual distribution	CircuWave™ 1100	CircuWave	CircuWave	CircuWave	CircuWave	CircuWave
Turntable	Recessed	Recessed					
Turntable On/Off	•	•	•	•	•	•	•
Interior lighting	Halogen	•	•	•	•	•	•
Full-view cooktop lighting	•	•	•	•	•	•	•
Night light	•	•	•	•	•	•	•
Programmable night light	•	•	•	•	•	•	•
Timer On/Off	•	•	•	•	•	•	•
Cooking complete reminder	•	•	•	•	•	•	•
Child lockout	•	•	•	•	•	•	•
300-CFM exhaust fan	3-Speed plus Boost	3-Speed plus Boost	2-Speed	2-Speed	•	2-Speed	2-Speed
Appearance							
Color appearance**	WW/CC/BB	WW/CC/BB	SS/WW/CC/BB	WW/AA/BB	WW/CC/BB	WW/BB	WW/BB
Case color	White/Bisque/Black	White/Bisque/Black	Black/White/Bisque/Black	White/Almond/Black	White/Bisque/Black	White/Black	White/Black
Big view window	•	•	•	•	•	•	•
Weights & Dimensions							
Cavity	21-9/16 x 10-9/16 x 14-13/16	21-29/32 x 9-1/2 x 14-19/32	20-1/4 x 9-9/32 x 14-13/32			19-5/16 x 9-5/16 x 13-3/16	
WxHxD (in inches) Exterior †	29-7/8 x 16-11/32 x 15-7/16		29-7/8 x 16-13/32 (rear) x 15			29-7/8 x 15-7/8 x 14-15/16	
Approx. shipping weight (lbs.)	66	68	67	67	67	67	67
Power/Ratings							
2450 Frequency (MHz)	•	•	•	•	•	•	•
Electrical input							
Watts	1480	1480	1480	1480	1480	1480	1480
@ 120V Amperage	15	15	15	15	15	15	15
Accessories							
Cooking guide label		•	•	•	•	•	•
Cookbook							
Oven rack(s)	1 (2-position)	1 (2-position)	1 (2-position)	1		1	
Warranty							
Full one-year in-home warranty††	•	•	•	•	•	•	•
Limited nine-year magnetron warranty†† (10 years total)	•	•	•	•	•	•	•

*Non-vented model.

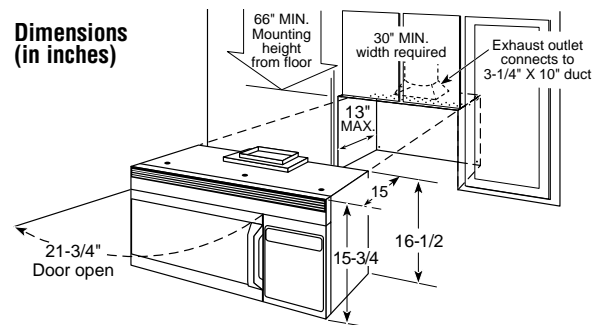
**SS = Stainless steel, WW = White on white, CC = Bisque on bisque, AA = Almond on almond, BB = Black on black.

†Exterior dimensions: depth excludes handle.

††See warranty for details.

NOTE: Convenience popcorn pad designed for use with 3 package sizes—3.5, 3.0 and 1.75 oz.

This information is not intended to be used for installing unit described. Before installing, consult installation instructions packed with product/kit for current dimensional data.



See page 156 for warranty information.

Microwave Ovens

GEAppliances.com

	GE Profile™			GE®				
	Convection	Extra-Large	Extra-Large	Full-Size	Family-Size		Mid-Size	
	JE1590SC JE1590WC JE1590CC JE1590BC	JE2160SF JE2160WF JE2160CF JE2160BF	JE1860SH JE1860WH JE1860CH JE1860GH	JE1660WB JE1660GB	JE1460WF JE1460BF	JE1440WF JE1440BF	JE1160WD JE1160BD	JE1140WD JE1140BD
Capacity								
Oven cavity (cu. ft.)	1.5	2.1	1.8	1.6	1.4	1.4	1.1	1.1
Features								
Watts (IEC-705 Test Procedure)	1000	1200	1100	1100	1150	1150	1100	1100
Electronic touch controls	Tactile Switches/Dial	•	•	•	•	•	•	•
Scrolling display with Help Pad	2 Line	•	•	•	•	•	Help Only	•
Demo mode	•	•	•	•	•	•	•	•
Electronic digital display w/clock	•	•	•	•	•	•	•	•
Display On/Off	•	•	•	•	•	•	•	•
Convection Cook	•							
Pads Combination Cook	•							
Sensor controls								
Popcorn	•	•	•	•	•	•	•	•
Beverage	•	•	•	•	•	•	•	•
Reheat	•	•	•	•	•	•	•	•
Vegetable	•	•	•	•	•	•	Fresh/Frozen	•
Potato	•	•	•	•	•	•	•	•
Chicken/Fish	•	•	•	•	•	•	-/•	•
Rice	•	•	•	•	•	•	•	•
Soup	•	•	•	•	•	•	•	•
Frozen Dinner	•	•	•	•	•	•	•	•
Convenience controls								
Popcorn						•		•
Beverage						•		•
Reheat						•		•
Snacks						•		•
Cook						•		•
Vegetable						•		•
Frozen Pizza						•		•
Express Cook	•	•	•	•	•	•	•	•
Instant On controls	•	•	•	•	•	•	•	•
Time cook	I & II	I & II	I & II	I & II	I & II	I & II	I & II	I & II
Add 30 seconds	•	•	•	•	•	•	•	•
Auto/Time Defrost	•	•	•	•	•	•	•	•
Quick Defrost	•	•	•	•	•	•	•	•
Power levels	10	10	10	10	10	10	10	10
Turntable	Recessed	On/Off	On/Off	•	Recessed	Recessed	•	•
Kitchen timer	Timer On/Off	Timer On/Off	Timer On/Off	Timer On/Off	Timer On/Off	Timer On/Off	•	•
Delay Start/Reminder	•	•	•	•	•	•	•	•
Variable beeper control	•	•	•	•	•	•	•	•
Cooking complete reminder	•	•	•	•	•	•	•	•
Child lockout	•	•	•	•	•	•	•	•
Appearance								
Color appearance	Stainless steel White on white Bisque on bisque Black on black	Stainless steel White on white Bisque on bisque Black on black	Stainless steel White on white Bisque on bisque Black on greystone	White on white Black on greystone	White on white Black on black	White on white Black on black	White on white Black on black	White on white Black on black
Case color	Black White Bisque Black	Black White Bisque Black	Greystone White Bisque Greystone	White Greystone	White Black	White Black	White Black	White Black
Door color	Stainless steel White Bisque Black	Stainless steel White Bisque Black	Stainless steel White Bisque Black	White Black	White Black	White Black	White Black	White Black
Weights & Dimensions								
Approx. shipping weight (lbs.)	59	51	48	50	45	45	37	37
Cavity	15-1/4 x 10-7/8 x 15-1/4	17 x 11 x 19	17-1/16 x 9-3/4 x 18-3/8	16-1/2 x 9-23/32 x 16-27/32	14-13/16 x 9-7/8 x 16		13-11/16 x 8-1/2 x 14-15/16	
WxHxD (in inches) Exterior*	22-5/8 x 14-7/8 x 19-7/8	24 x 14 x 19-1/2	23-7/8 x 13-1/2 x 19-1/4	23-5/8 x 13-5/16 x 17-51/64	21-7/8 x 12 x 16		20-1/2 x 17-7/8 x 15-7/8	
Power/Ratings								
2450 Frequency (MHz)	•	•	•	•	•	•	•	•
Electric Watts	1500	1550	1550	1500	1600	1600	1500	1500
input @ 120V Amperage	13	13.6	13.6	13.0	13.5	13.5	13.0	13.0
Accessories								
Cooking guide label	•	•	•	•	•	•	•	•
Cook Book	•	•	•	•	•	•	•	•
Oven rack	•	•	•	•	•	•	•	•
Optional built-in kit	JX1530CSC/ JX1527CSC JX1530CWC/ JX1527CWC JX1530CCC/ JX1527CCC JX1530CBC/ JX1527CBC	JX2130CSF/ JX2127CSF JX2130CWF/ JX2127CWF JX2130CCF/ JX2127CCF JX2130CBF/ JX2127CBF	JX1830SB/ JX1827SB JX1830WB/ JX1827WB JX1830CB/ JX1827CB JX1830BB/ JX1827BB		JX1530MWW/ JX1527MWW/ JX1530MBW/ JX1527MBW			
Warranty								
Full one-year warranty**	In-Home	In-Home	Carry-In	Carry-In	Carry-In	Carry-In	Carry-In	Carry-In
Limited nine-year magnetron warranty** (10 years total)	•	•	•	•	•	•	•	•

*Exterior dimensions: height includes feet, depth does not include handle. **See written warranty for details.
Note: Refer to page 221 for dimensional data on Trim Kits (available at additional cost).

See pages 156-157 for warranty information. 219

Refrigeration

Cooking Products

Microwave Ovens

Dishwashers

Clothes Care

Water Systems

Air Conditioning

Spacemaker II™ Microwave Ovens

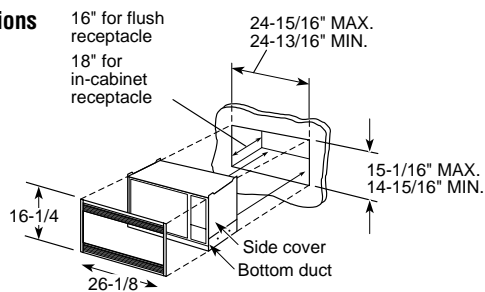
	GE Profile™		GE®	
	JEM31SF	JEM31WF JEM31CF JEM31BF	JEM25WF	JEM25BF
Capacity				
Oven cavity (cu. ft.)	1.0	1.0	1.0	1.0
Features				
Watts (IEC-705 Test Procedure)	800	800	800	800
Electronic touch controls	●	●	●	●
Scrolling display with help	●	●	●	●
Electronic digital display w/clock	●	●	●	●
Sensor controls				
Popcorn	●	●		
Beverage	●	●		
Reheat	●	●		
Vegetable	●	●		
Potato	●	●		
Chicken/Fish	●	●		
Convenience controls				
Popcorn			●	●
Beverage			●	●
Reheat			●	●
Snacks			●	●
Cook			●	●
Express Cook	●	●	●	●
Instant On controls	●	●	●	●
Time cook I & II	●	●	●	●
Add 30 seconds	●	●	●	●
Auto/Time Defrost	●	●	●	●
Power levels	10	10	10	10
Turntable on/off	●	●	●	●
Kitchen timer	Timer On/Off	Timer On/Off	●	●
Cooking complete reminder	●	●	●	●
Delay Start/Reminder	●	●	●	●
Child lockout	●	●	●	●
Appearance				
Color appearance	Stainless Steel	White on white Bisque on bisque Black on black	White on white	Black on black
Door color	Stainless Steel	White Bisque Black	White	Black
Case color	Black	White Bisque Black	White	Black
Weights & Dimensions				
Cavity	16-1/2 x 7-7/16 x 11-1/4			
WxHxD (in inches) Exterior†	23-25/32 x 11-3/16 x 12-9/32			
Approx. shipping weight (lbs.)	40	40	40	40
Power/Ratings				
2450 Frequency (MHz)	●	●	●	●
Electrical input @ 120V				
Watts	1300	1300	1300	1300
Amperage	11.5	11.5	11.5	11.5
Accessories				
Cooking guide label	●	●	●	●
Hanging kit (Pub. No. 4-A019)*	Optional	Optional	Optional	Optional
Optional built-in kit	JX827SS	JX827WN/CD/BN	JX827WN	JX827BN/SS
Warranty				
Full one-year warranty**	In-Home	In-Home	Carry-In	Carry-In
Limited nine-year magnetron warranty** (10 years total)	●	●	●	●

*Pub. No. 4-A019 is available at additional cost.

**See written warranty for details.

†Exterior dimensions: height includes feet, depth does not include handle.

Cutout Dimensions (in inches)



Built-In Trim Kit For 1.0 Cu. Ft. Microwave Ovens

For a custom built-in appearance, this kit allows built-in installation of the Spacemaker II microwave oven into a wall or cabinet alone, and is U.L.-approved for installation over a GE single electric wall oven. This kit should not be installed over a gas wall oven.

Trim Kits for Models JEM31 and JEM25

JX827SS—Stainless Steel, JX827WN—White, JX827CD—Bisque, JX827BN—Black

This information is not intended to be used for installing unit described. Before installing, consult installation instructions packed with product/kit for current dimensional data.

220 See page 156-157 for warranty information.

Microwave Ovens

	GE		
	JE740WY JE740GY	JE620WF JE620BF	JE610WF JE610BF
Capacity			
Oven cavity (cu. ft.)	.7	.6	.6
Features			
Watts (IEC-705 Test Procedure)	700	650	650
Electronic touch controls	●	●	
Electronic digital display w/clock	●	●	
Mechanical dial			●
Convenience controls			
Popcorn	●		
Beverage	●		
Reheat	●		
Snacks	●		
Cook	●		
Express Cook	●		
Instant On controls	●		
Time Cook	I & II	●	15 Min.
Add 30 seconds	●		
Auto/Time Defrost	●	- / ●	
Power levels	10	10	1
Turntable	●	●	●
Kitchen timer	●		
Delay Start/Reminder	●		
Cooking complete reminder	●	●	
Child lockout	●		
Appearance			
Color appearance*	WW BB	WW BB	WW BB
Door color	WW BB	WW BB	WW BB
Case color	White/ Greystone	White/Black	White/Black
Weights & Dimensions			
Cavity	12-1/16 x 7-11/16 x 12-1/16	11-13/32 x 7-3/64 x 12-7/16	11-13/32 x 7-3/64 x 12-7/16
WxHxD (in inches) Exterior**	19-1/4 x 10-13/16 x 13-9/16	18-9/64 x 9-23/32 x 12-27/32	18-9/64 x 9-23/32 x 12-27/32
Approx. shipping weight (lbs.)	33	24.4	24.4
Power/Ratings			
2450 Frequency (MHz)	●	●	●
Electrical input @ 120V			
Watts	1150	1000	1000
Amperage	10.5	9.5	9.5
Accessory			
Cooking guide label	●		
Hanging kit (Pub. No. 4-A019)†	Optional	Optional	Optional
Warranty			
Full one-year warranty††	Carry-In	Carry-In	Carry-In
Four-year magnetron warranty††† (Five years total)	Nine-Year (10 years total)	●	●

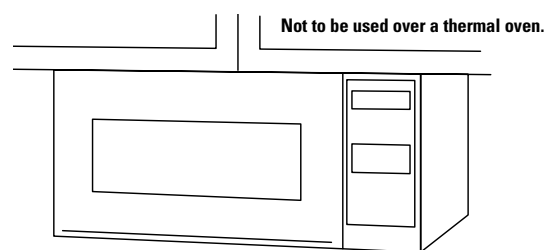
*WW = White on white, BB = Black on black.

**Exterior dimensions: height includes feet.

†Pub. No. 4-A019 is available at additional cost.

††See written warranty for details.

Undercabinet Mounting Kit Pub. No. 4-A019 For Spacemaker II and Microwave Oven Models (Available at additional cost)



Undercabinet Installation

Install Spacemaker II microwave ovens in just a few easy steps with the mounting template, which provides all the necessary measurements.* These microwave ovens can be installed on practically any wood or metal cabinets.

*Installation may vary depending on cabinets.

Note: 120V, 60-cycle, grounded power receptacle location optional on back within cabinet opening.



Microwave Oven Trim Kits

30" Deluxe Trim Kit For 2.1 cu. ft. Microwave Ovens

This trim kit allows for built-in installation of the 2.1 microwave oven in a wall or cabinet alone, or over a GE Profile™ 30" single electric wall oven.

30" Deluxe Trim Kits for Model JE2160

JX2130SF—Stainless Steel
JX2130WF—White
JX2130CF—Bisque
JX2130BF—Black

Model	"A"	30" Deluxe Trim Kit
JE2160SF	29-3/4"	JX2130SF
JE2160WF	29-3/4"	JX2130WF
JE2160CF	29-3/4"	JX2130CF
JE2160BF	29-3/4"	JX2130BF

27" Deluxe Trim Kit For 2.1 cu. ft. Microwave Ovens

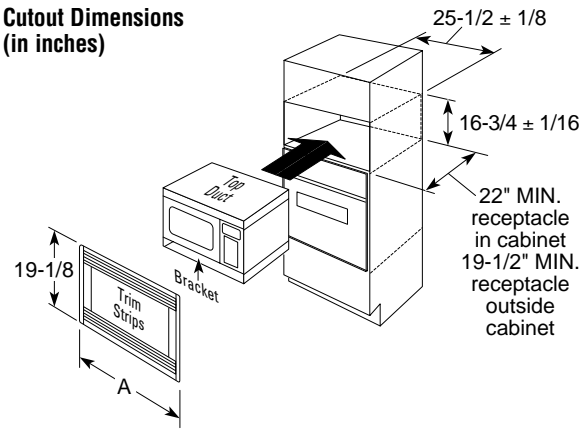
The 27" deluxe trim kit allows a 2.1 microwave oven to be built into a wall or cabinet alone, or over a GE 27" single electric wall oven for a complete one-piece, built-in, integrated appearance.

27" Deluxe Trim Kits for Model JE2160

JX2127SF—Stainless Steel
JX2127WF—White
JX2127CF—Bisque
JX2127BF—Black

Model	"A"	27" Deluxe Trim Kit
JE2160SF	26-5/8"	JX2127SF
JE2160WF	26-5/8"	JX2127WF
JE2160CF	26-5/8"	JX2127CF
JE2160GF	26-5/8"	JX2127BF

Cutout Dimensions (in inches)



30" Deluxe Trim Kit For 1.8 Cu. Ft. Microwave Ovens

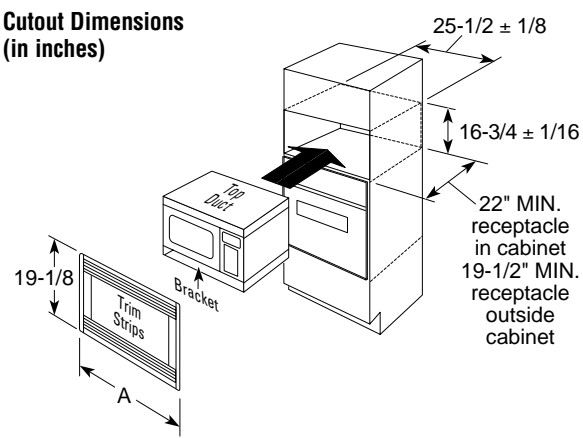
This trim kit allows for built-in installation of the 1.8 microwave oven in a wall or cabinet alone, or over a GE 30" single electric wall oven.

30" Deluxe Trim Kits for Models JE1860

JX1830SB—Stainless Steel
JX1830WB—White
JX1830CB—Bisque
JX1830BB—Black

Model	"A"	30" Deluxe Trim Kit
JE1860SH	29-3/4"	JX1830SB
JE1860WH	29-3/4"	JX1830WB
JE1860CH	29-3/4"	JX1830CB
JE1860GH	29-3/4"	JX1830BB

Cutout Dimensions (in inches)



27" Deluxe Trim Kit For 1.8 Cu. Ft. Microwave Ovens

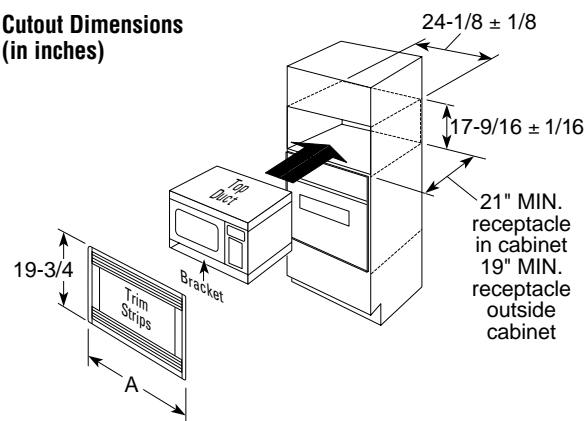
The 27" deluxe trim kit allows a 1.8 microwave oven to be built into a wall or cabinet alone, or over a GE 27" single electric wall oven for a complete one-piece, built-in, integrated appearance.

27" Deluxe Trim Kits for Models JE1860

JX1827SB—Stainless Steel
JX1827WB—White
JX1827CB—Bisque
JX1827BB—Black

Model	"A"	27" Deluxe Trim Kit
JE1860SH	26-7/8"	JX1827SB
JE1860WH	26-7/8"	JX1827WB
JE1860CH	26-7/8"	JX1827CB
JE1860GH	26-7/8"	JX1827BB

Cutout Dimensions (in inches)



30" Deluxe Trim Kit For 1.6 cu. ft. Microwave Ovens

This trim kit allows for built-in installation of the 1.6 microwave oven in a wall or cabinet alone, or over a GE 30" single electric wall oven.

30" Deluxe Trim Kits for Model JE1660

JX1530MWW—White
JX1530MBW—Black

Model	"A"	30" Deluxe Trim Kit
JE1660WB	29-3/4"	JX1530MWW
JE1660GB	29-3/4"	JX1530MBW

27" Deluxe Trim Kit For 1.6 cu. ft. Microwave Ovens

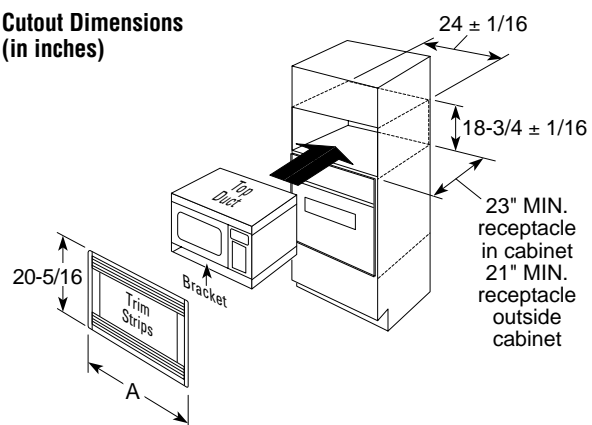
The 27" deluxe trim kit allows a 1.6 countertop microwave oven to be built into a wall or cabinet alone, or over a GE 27" single electric wall oven for a complete one-piece, built-in, integrated appearance.

27" Deluxe Trim Kits for Model JE1660

JX1527MWW—White
JX1527MBW—Black

Model	"A"	27" Deluxe Trim Kit
JE1660WB	26-3/4"	JX1527MWW
JE1660GB	26-3/4"	JX1527MBW

Cutout Dimensions (in inches)



Deluxe Trim Kits For 1.5 Cu. Ft. GE Profile Microwave Ovens

Built-in trim kits allow installation in a wall, cabinet alone, or over a GE 30" or 27" single electric wall oven. Use a convection wall oven under these convection microwave ovens for a complete convection cooking center.

30" Deluxe Trim Kits for Model JE1590

JX1530CSC—Stainless
JX1530CWC—White
JX1530CCC—Bisque
JX1530CBC—Black

Model	"A"	30" Deluxe Trim Kit
JE1590SC	29-3/4"	JX1530CSC
JE1590WC	29-3/4"	JX1530CWC
JE1590CC	29-3/4"	JX1530CCC
JE1590BC	29-3/4"	JX1530CBC

27" Deluxe Trim Kits for Model JE1590

JX1527CSC—Stainless
JX1527CWC—White
JX1527CCC—Bisque
JX1527CBC—Black

Model	"A"	27" Deluxe Trim Kit
JE1590SC	26-3/4"	JX1527CSC
JE1590WC	26-3/4"	JX1527CWC
JE1590CC	26-3/4"	JX1527CCC
JE1590BC	26-3/4"	JX1527CBC

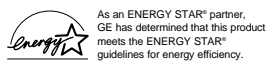
This information is not intended to be used for installing unit described. Before installing, consult installation instructions packed with product/kit for current dimensional data.



GE Profile™ Stainless Built-In Dishwashers

Features	GE Profile							
	ENERGY STAR® PDW8680JSS PDW8600JWW PDW8600JCC PDW8600JBB	ENERGY STAR PDW8500JWW PDW8500JCC PDW8500JBB	ENERGY STAR PDW8400JWW PDW8400JCC PDW8400JBB	ENERGY STAR PDW8280JSS PDW8200JWW PDW8200JCC PDW8200JBB	PDW8060JSS PDW8000JWW PDW8000JCC PDW8000JBB	PDW7880JSS PDW7800JWW PDW7800JCC PDW7800JBB	PDW7700JWW PDW7700JCC PDW7700JBB	PDW7300JWW PDW7300JCC PDW7300JBB
Tub and door liner	Stainless steel	Stainless steel	Stainless steel	Stainless steel	Stainless steel	PermaTuf®	PermaTuf	PermaTuf
Front appearance	Contour door	Flat door	Contour door	Contour door	Flat door	Contour door	Flat door	Contour door
Upscale flush design	●	●	●	●	●	●	●	●
Long door design	One-piece color wrap	●	One-piece color wrap	One-piece color wrap	●	One-piece color wrap	●	One-piece color wrap
Wash system	ExtraClean™	ExtraClean	ExtraClean	ExtraClean	ExtraClean	ExtraClean	ExtraClean	ExtraClean
Wash arms	3-direct feed	3-direct feed	3-direct feed	3-direct feed	2	3-direct feed	3-direct feed	3-direct feed
Wash levels	6	6	6	6	4	6	6	6
Water filtration	100% triple with ExtraFine™ filter	100% triple with ExtraFine filter	100% triple with ExtraFine filter	100% triple with ExtraFine filter	100%	100% triple with ExtraFine filter	100% triple with ExtraFine filter	100% triple with ExtraFine filter
Dual pumps and motors	●	●	●	●	●	●	●	●
Hard food disposer	Piranha™	Piranha	Piranha	Piranha	Piranha	Piranha	Piranha	Piranha
Sensor	ExtraClean	ExtraClean	ExtraClean	ExtraClean	CleanSensor™	ExtraClean	ExtraClean	ExtraClean
Automatic temperature control	●	●	●	●	●	●	●	●
Electronic controls	Light-touch	Light-touch	Light-touch	Light-touch	Electronic	Light-touch	Light-touch	Light-touch
Cycle progress indicators	Countdown display with 6 status lights	Countdown display with 6 status lights	Countdown display with 6 status lights	1 "Clean" light 1 "Sanitized" light	5 LEDs	Countdown display with 6 status lights	Countdown display with 6 status lights	Countdown display with 6 status lights
Touchpads	12	12	11	9	8	12	12	11
Selections/Enhancements	Variable*	Variable*	Variable*	Variable*	Variable*	Variable*	Variable*	Variable*
Last cycle memory	●	●	●	●	●	●	●	●
Selections								
Anti-bacteria (NSF**)	●	●	●	●	●	●	●	●
Cookware	●	●	●	●	●	●	●	●
Normal wash	●	●	●	●	●	●	●	●
China/Crystal	●	●	●	●	●	●	●	●
Glasses cycle	●	●	●	●	●	●	●	●
SpeedCycle™ (wash & dry)	●	●	●	●	●	●	●	●
Rinse only	●	●	●	●	●	●	●	●
Enhancements								
Delay Start	1-9-hour	1-9-hour	1-9-hour	2/4/8-hour	2/4/6-hour	1-9-hour	1-9-hour	1-9-hour
Hi-Temp Wash	Added heat	Added heat	Added heat	Added heat	Added heat	Added heat	Added heat	Added heat
Hi-Temp Rinse	Auto w/added heat	Auto w/added heat	Auto w/added heat	Auto w/added heat	●	Auto w/added heat	Auto w/added heat	Auto w/added heat
PreWash	●	●	●	●	●	●	●	●
Heated Dry	●	●	●	●	●	●	●	●
HotStart™	Automatic	Automatic	Automatic	Automatic	●	Automatic	Automatic	Automatic
Child lock	●	●	●	●	●	●	●	●
Racking								
Nylon racking system	Pearlescent™ Tall-Over-Tall™	Pearlescent Tall-Over-Tall	Pearlescent Tall-Over-Tall	Tall-Over-Tall	Tall-Over-Tall	Tall-Over-Tall	Tall-Over-Tall	Tall-Over-Tall
Adjust. upper rack w/CleanTip tines	4-position	4-position	4-position	●	●	4-position deep tiered	4-position deep tiered	4-position deep tiered
Removable, deep tiered upper rack†	●	●	●	●	●	●	●	●
Lower rack w/CleanTip tines	Towerless	Towerless	Towerless	Towerless	●	Towerless	Towerless	Towerless
Fold-down tine flexibility	4 upper with 2 multi-position/100% lower	4 upper with 2 multi-position/100% lower	2 upper with 1 multi-position/2 lower	2 lower	4 lower	4 upper with 2 multi-position/100% lower	4 upper with 2 multi-position/100% lower	2 upper with 1 multi-position/2 lower
Utility shelves	4 w/StemSafe™ upper	4 w/StemSafe upper	2 w/StemSafe upper	2 upper	2 w/stem holder	4 w/StemSafe upper	4 w/StemSafe upper	4 w/StemSafe upper
Silverware basket	Super capacity 3-pc. and ExtraBasket™	Super capacity 3-pc. and ExtraBasket	Super capacity 3-pc.	Super capacity w/2 cell covers	Deluxe Plus w/2 cell covers	Super capacity 3-pc. and ExtraBasket™	Super capacity 3-pc. and ExtraBasket	Super capacity 3-piece
Accessory basket	●	●	●	●	●	●	●	●
Hard countertop installation	Ready	Ready	Ready	Ready	Ready	Ready	Ready	Ready
Calrod® heater	Multi-wattage w/indicator and adjustment	Multi-wattage w/indicator and adjustment	Multi-wattage w/indicator and adjustment	Multi-wattage w/indicator and adjustment	●	Multi-wattage w/indicator and adjustment	Multi-wattage w/indicator and adjustment	Multi-wattage w/indicator and adjustment
Rinse aid dispenser	Squeeze	Squeeze	Squeeze	Squeeze	Center pull	Squeeze	Squeeze	Squeeze
Latch	●	●	●	●	●	●	●	●
Quiet								
Sound insulation package	QuietPower™ V	QuietPower V	QuietPower V	QuietPower V	Quiet 8000	QuietPower IV	QuietPower IV	QuietPower IV
Tub insulation	Thinstall™ with heat-bonded bitumen	Thinstall with heat-bonded bitumen	Thinstall with heat-bonded bitumen	Thinstall with heat-bonded bitumen	Mastic w/steel case	Thinstall Plus	Thinstall Plus	Thinstall Plus
Door insulation	With bitumen	With bitumen	With bitumen	With bitumen	Steel door w/mastic	Steel door w/mastic	Steel door w/mastic	Steel door w/mastic
QuietPower™ motor	●	●	●	●	●	●	●	●
ActiveVent II system	●	●	●	●	●	●	●	●
Tub collar trim	●	●	●	●	●	●	●	●
Electronic control system	●	●	●	●	●	●	●	●
Quiet water valve	●	●	●	●	●	●	●	●
Appearance								
Colors available***	SS, WW, CC, BB,	WW, CC, BB	SS, WW, CC, BB	SS, WW, CC, BB	SS, WW, CC, BB	SS, WW, CC, BB	WW, CC, BB	WW, CC, BB
Weights & Dimensions								
Height w/legs retracted (in.)	34	34	34	34	34	34	34	34
Overall width (in.)	24	24	24	24	23-5/8	24	24	24
Overall depth (in.)	25-1/4	25-1/4	25-1/4	25-1/4	23-1/2	25-1/4	25-1/4	25-1/4
Approx. shipping weight (lbs.)	105	105	105	105	115	97	90	90
Accessories								
Requires kit for 1/4" panel capability with trim	N/A	GPF825W/C/B	N/A	N/A	N/A—SS GPF725W/C/B	N/A	GPF825W/C/B	N/A
Requires kit for trimless 3/4" panel capability	N/A	GPF875W/C/B	N/A	N/A	N/A—SS ZPF675W/C/B	N/A	GPF875W/C/B	N/A

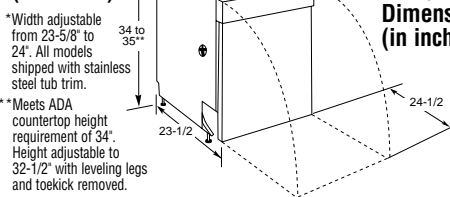
*Sensor controlled.
**Certified by National Sanitation Foundation.
***SS = Stainless steel, WW = White on white, CC = Bisque on bisque, BB = Black on black.
†For best results, use shower nozzle attachment when upper rack is removed.



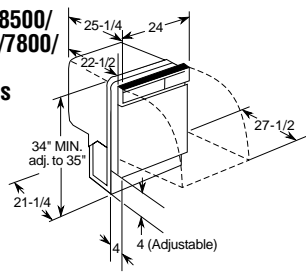
222 See page 157 for warranty information.

Electrical Rating
Voltage AC120
Hertz60
Total connected load amperage
PDW800012.0
All others9.1
Calrod® heater watts max
PDW80001200
All others875
For use on adequately wired 120-volt, 15-amp circuit having 2-wire service with a separate ground wire. This appliance must be grounded for safe operation.

PDW8000 Dimensions (in inches)



PDW8600/8500/8400/8200/7800/7700/7300 Dimensions (in inches)

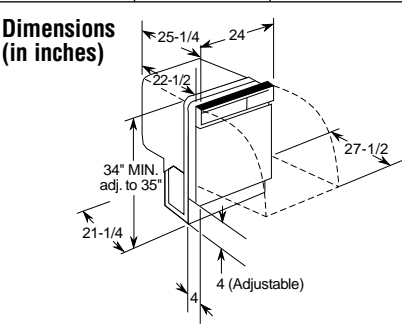


GE Triton XL™ Built-In Dishwashers

	GE			
	ENERGY STAR®	ENERGY STAR	ENERGY STAR	ENERGY STAR
	GSD6860JSS	GSD6900JWW GSD6900JCC GSD6900JBB	GSD6660GSS GSD6600GWW GSD6600GCC GSD6600GBB	GSD6260JSS GSD6200JWW GSD6200JCC GSD6200JBB
Features				
Front appearance	Flat door	Contour door	Flat door	Flat door
Upscale flush design	●	●	●	●
Long door design	●	●	●	●
Wash system	XtraClean™	XtraClean	XtraClean	XtraClean
Wash arms	3	3	3	3
Wash levels	6-direct feed	6-direct feed	6-direct feed	6-direct feed
XtraFine™ filter	100% triple	100% triple	100% triple	100% triple
Dual pumps and motors	●	●	●	●
Hard food disposer	Piranha™	Piranha	Piranha	Piranha
Sensor	XtraClean	XtraClean	XtraClean	XtraClean
Automatic temperature control	●	●	●	●
Electronic controls	Light-touch	Light-touch	Light-touch	Light-touch
Cycle progress indicators	Countdown display, 6 status lights	Countdown display, 6 status lights	6 status lights	1 "Clean" light, 1 "Sanitized" light
Touchpads	10	10	10	9
Cycles/Options	Variable*	Variable*	Variable*	Variable*
Last cycle memory	●	●	●	●
Cycles				
Anti-bacteria (NSF**)	●	●	●	●
Pots & Pans cycle	●	●	●	●
Normal wash	●	●	●	●
China/Crystal	●	●	●	●
SpeedCycle™ (wash & dry)	●	●	●	●
Rinse Only	●	●	●	●
Options				
Delay Start option	1-9-hour	1-9-hour	2/4/8-hour	2/4/8-hour
Hi-Temp Wash	XtraHot Wash	XtraHot Wash	XtraHot Wash	XtraHot Wash
Hi-Temp Rinse	Auto w/XtraHot Wash	Auto w/XtraHot Wash	Auto w/XtraHot Wash	Auto w/XtraHot Wash
Heated Dry	●	●	●	●
HotStart™	Automatic	Automatic	Automatic	Automatic
Child lock option	●	●	●	●
Racking				
Racking system	Tall-Over-Tall™	Tall-Over-Tall	Tall-Over-Tall	Tall-Over-Tall
Upper rack	4-position, adjustable nylon deep tiered	4-position, adjustable nylon deep tiered	Nylon deep tiered	Deep tiered
Lower rack	Nylon towerless	Nylon towerless	Nylon towerless	Towerless
Fold-down tine flexibility	2 lower	2 lower	2 lower	2 lower
Utility shelves	4 upper	4 upper	2 upper	2 upper
Silverware basket	Super capacity 3-piece	Super capacity 3-piece	Super capacity 3-piece	Super capacity 3-piece
Hard countertop installation	GPF65 Kit	GPF65 Kit	GPF65 Kit	GPF65 Kit
Calrod® heater	Multi-wattage w/Indicator and adjustment	Multi-wattage w/Indicator and adjustment	Multi-wattage w/Indicator and adjustment	Multi-wattage w/Indicator and adjustment
Rinse aid dispenser	●	●	●	●
Latch	Squeeze	Squeeze	Squeeze	Squeeze
Quiet				
Sound insulation package	QuietPower™ IV	QuietPower IV	QuietPower IV	QuietPower III
Tube insulation	ThinInstall™ Plus	ThinInstall Plus	ThinInstall Plus	T-blanket
Door insulation and mastic	●	●	●	●
QuietPower™ motor	●	●	●	●
ActiveVent II system	●	●	●	●
Tub collar trim	●	●	●	●
Electronic control system	●	●	●	●
PermaTuf® tub and door liner	●	●	●	●
Appearance				
Colors available***	SS	WW, CC, BB	SS, WW, CC, BB	SS, WW, CC, BB
Weights & Dimensions				
Height w/legs retracted (in.)	34	34	34	34
Overall width (in.)	24	24	24	24
Overall depth (in.)	25-1/4	25-1/4	25-1/4	25-1/4
Approx. shipping weight (lbs.)	90	90	90	90
Accessories				
Requires kit for 1/4" panel capability with trim	GPF825W/C/B	N/A	GPF825W/C/B	GPF825W/C/B
Requires kit for trimless 3/4" panel capability	GPF875W/C/B	N/A	GPF875W/C/B	GPF875W/C/B

*Sensor controlled.
 **Certified by National Sanitation Foundation.
 ***SS = Stainless steel, WW = White on white, CC = Bisque on bisque, BB = Black on black.

Electrical Rating
 Voltage AC120
 Hertz.....60
 Total connected load amperage.....9.1
 Calrod heater watts max.875
 For use on adequately wired 120-volt, 15-amp circuit having 2-wire service with a separate ground wire. This appliance must be grounded for safe operation.

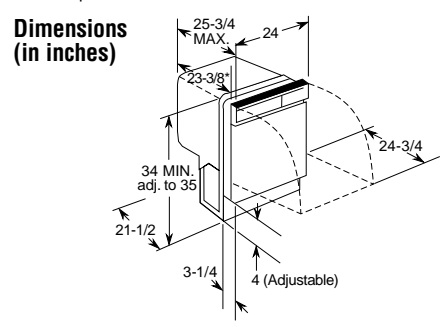


GE Appliances.com GE Triton™ Built-In Dishwashers

	GE	
	ENERGY STAR	ENERGY STAR
	GSD5560GSS	GSD5500GWW GSD5500GCC GSD5500GBB
Features		
Wash system	TriClean™	TriClean
Dual pumps and motors	●	●
Wash arms	3	3
Wash levels	6	6
Water filtration	100% Triple	100% Triple
Hard food disposer	Piranha	Piranha
CleanSensor	●	●
Cycles	Variable*	Variable*
Pots & Pans	●	●
Normal Wash	●	●
Light Wash	●	●
China/Crystal	●	●
SaniWash	●	●
Rinse only	●	●
Options	Variable	Variable
Delay Start option	2/4/8-hour	2/4/8-hour
Heated Dry	●	●
Child lock option	●	●
Racks, shelf & basket		
Upper rack	Super	Super
Lower rack	Super	Super
Utility shelves	2	2
Silverware basket	Super capacity w/1 cell cover	Super capacity w/1 cell cover
Control type	Electronic	Electronic
Cycle progress indicators	6 LEDs	6 LEDs
Touchpads	10	10
Rinse aid dispenser	w/Indicator	w/Indicator
Steel door	●	●
Center throw door latch	●	●
Quiet		
Sound insulation package	QuietPower II	QuietPower II
PermaTuf® tub and door liner	●	●
QuietPower™ motor	●	●
Appearance		
Colors available**	SS	WW, CC, BB
Color panels—door & access	Trimless	Trimless
Weights & Dimensions		
Height w/legs retracted (in.)	34	34
Overall width (in.)	24	24
Overall depth (in.)	25-3/4	25-3/4
Approx. shipping weight (lbs.)	85	80
Accessories		
Requires kit for 1/4" panel capability with trim	N/A	GPF425W/C/B
Requires kit for trimless 3/4" panel capability	N/A	GPF475

All GE dishwashers are equipped with the following: 120°F inlet water capability, Easy-Glide roller system, convection drying, horizontal mechanism, leveling screws.
 *Sensor controlled.
 **Colors available: SS = Stainless Steel, WW = White on white, CC = Bisque on bisque, BB = Black on black.

Electrical Rating
 Voltage AC120
 Hertz.....60
 Total connected load amperage.....8.2
 Calrod heater watts725
 For use on adequately wired 120-volt, 15-amp circuit having 2-wire service with a separate ground wire. This appliance must be grounded for safe operation.



As an ENERGY STAR® partner, GE has determined that this product meets the ENERGY STAR® guidelines for energy efficiency.

NSF Listed by Underwriters Laboratories

See page 157 for warranty information. 223

Refrigeration
 Cooking Products
 Microwave Ovens
 Dishwashers
 Clothes Care
 Water Systems
 Air Conditioning

GE® Nautilus™ and GE Built-In Dishwashers

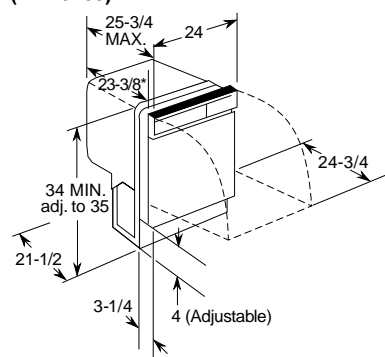
Features	GE						
	GSD4800GWW GSD4800GCC GSD4800GBB	ENERGY STAR® GSD3800GWW GSD3800GCC GSD3800GBB	GSD3660GSS GSD3600GWW GSD3600GCC GSD3600GBB	GSD3200GWW GSD3200GCC GSD3200GBB	ENERGY STAR GSD2200GWW* GSD2200GCC GSD2200GBB	GSD2000GWW* GSD2000GCC GSD2000GBB	GSD1900GWH
Wash system	PowerScrub™	SureClean™	PowerScrub	PowerScrub	Standard	Standard	Standard
Wash levels	5	3	5	5	2	2	2
Water filtration	Dual	Dual	Dual	Dual			
Food disposer	Piranha™	●	Piranha	Piranha	●	●	●
Cycles	5	6	7	5	5	4	4
Pots & Pans	●	●	●	●	●		
Heavy Wash		●				Dial	Dial
Normal Wash	●	●	●	●	●	Dial	Dial
Light Wash	●	●	●				
China/Crystal	●						
Short Wash			Dial	Dial	Dial	Dial	Dial
Plate Warmer		Dial	Dial	Dial	Dial		
Rinse Only	●	Dial	Dial	Dial	Dial	Dial	Dial
Options	34	35	39	22	12	9	9
Delay Start option	2/4/8-hour	1-6-hour	1-6-hour				
Heated Dry	●	●	●	●	●	Rocker	Rocker
Hi-Temp Wash	●	●	●	●			
Hi-Temp Rinse	●						
HotStart™		●	●	Dial	Dial	Dial	Dial
Child lock option	●						
Racks, shelf & basket							
Upper rack	Deluxe Plus	Deluxe Plus	Deluxe Plus	Deluxe	Standard	Standard	Standard
Lower rack	Deluxe	Deluxe	Deluxe	Deluxe	Deluxe	Deluxe	Deluxe
Utility shelves	2	2	2				
Silverware basket	Deluxe	Deluxe	Deluxe	Deluxe	Deluxe	Deluxe	Deluxe
Control type	Electronic	TouchTap™	TouchTap	Turn-to-start	Turn-to-start	Turn-to-start	Turn-to-start
Cycle progress indicator(s)	1 "Clean"	1 "Cycle On"	1 "Cycle On"	Dial	Dial	Dial	Dial
Touchpads	11	8	8				
Pushbuttons				6	4		
Rinse aid dispenser	w/Indicator	w/Indicator	w/Indicator	●	●	●	●
Steel door	●	●	●	●	●	●	●
Center throw door latch	●	●	●	●	●	●	●
Quiet							
Sound insulation package	QuietPower I	QuietPower I	QuietPower I	QuietPower I	QuietDesign™	Standard	Standard
PermaTuf® tub/door liner	●	●	●	●	●	●	●
QuietPower™ motor	●	●	●	●	●	●	●
Appearance							
Colors available**	WW, CC, BB	WW, CC, BB	SS, WW, CC, BB	WW, CC, BB	WW, CC, BB	WW, CC, BB	WH
Color panels—door & access	Trimless	Trimless	Trimless	Trimless	Trimless	Trimless	Trimless
Weights & Dimensions							
Height w/legs retracted (in.)	34	34	34	34	34	34	34
Overall width (in.)	24	24	24	24	24	24	24
Overall depth (in.)	25-3/4	25-3/4	25-3/4	25-3/4	25-3/4	25-3/4	25-3/4
Approx. shipping weight (lbs.)	80	80	80	80	80	80	80
Accessories							
Requires kit for 1/4" panel capability with trim	GPF425W/C/B	GPF425W/C/B	GPF425W/C/B	GPF325W/C/B	GPF325W/C/B	GPF325W/C/B	GPF325W
Requires kit for trimless 3/4" panel capability	GPF475	GPF475	GPF475	GPF375	GPF375	GPF375	GPF375

All GE Dishwashers are equipped with the following: 120°F inlet water capability, Easy-Glide roller system, convection drying, horizontal mechanism, leveling screws.

*GSD2201GWW and GSD2001GWW available with power cord attached.

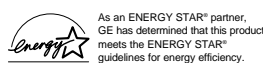
**Colors available: SS = Stainless steel, WW = White on white, CC = Bisque on bisque, BB = Black on black, WH = White body w/black control panel.

GE Built-In Dishwasher Dimensions (in inches)



Electrical Rating

Voltage AC120
 Hertz.....60
 Total connected load amperage.....6.2
 Calrod® heater watts500
 For use on adequately wired 120-volt, 15-amp circuit having 2-wire service with a separate ground wire. This appliance must be grounded for safe operation.



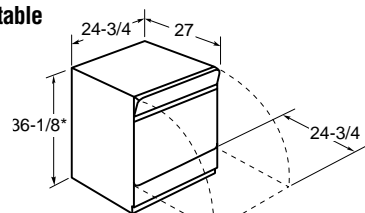
GE Nautilus™ Convertible Dishwashers

Features	GE	
	GSC3400GWW GSC3400GBB	GSC3200GWW GSC3200GBB
Wash system	PowerScrub	PowerScrub
Wash levels	5	5
Water filtration	Dual	Dual
Hard food disposer	Piranha	Piranha
Cycles	7	5
Pots & Pans	●	●
Normal Wash	●	●
Light Wash	●	
China/Crystal	●	
Short Wash	Dial	Dial
Plate Warmer	Dial	Dial
Rinse Only	Dial	Dial
Options	39	22
Delay Start option	1-6-hour	
Heated Dry	●	●
Energy Saver	●	
Hi-Temp wash	●	●
HotStart	●	Dial
Racks (upper/lower)	Deluxe	Deluxe
Silverware basket	Deluxe split w/2 cell covers	Deluxe
Cycle progress indicator	1 "Cycle On"	Dial
TouchTap™ controls	8	
Pushbuttons		6
Rinse aid dispenser	w/Indicator	●
Steel door	●	●
Center throw door latch	●	●
Quiet		
Quiet		
Sound insulation package	QuietDesign	QuietDesign
PermaTuf tub and door liner	●	●
QuietPower motor	●	●
Sealed toekick	●	●
Appearance		
Colors available*	WW, BB	WW, BB
Color panels—door & access	Trimless	Trimless
Decorative wood laminate top	Woodgrain	Woodgrain
Weights & Dimensions		
Overall height w/legs extended (in.)	36-3/8	36-3/8
Overall width (in.)	24-7/8	24-7/8
Overall depth (in.)	27	27
Approx. shipping weight (lbs.)	130	130
Accessories		
Requires kit for 1/4" panel capability with trim	GPF425W/B	GPF325W/B
Requires kit for trimless 3/4" panel capability	GPF475	GPF375

*Colors available: WW = White on white, BB = Black on black.

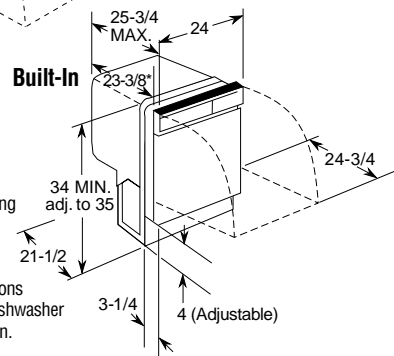
Convertible Dishwasher Dimensions (in inches)

Portable



*Includes top and wheels

Built-In



Important Note: GE kit number WD35M34 needed when adapting GE convertible dishwasher to a built-in installation. Contains built-in dishwasher water valve, hardware and complete instructions for changing a GE convertible dishwasher for under-the-counter installation.

GE Spacemaker® Built-In 18" Dishwasher

Features	GE	
	GSS1800HWW GSS1800HBB	GSS1800HBB
Wash levels	2	
Cycles	6	
Pots & Pans	Dial	
Heavy Wash	Dial	
Normal Wash	Dial	
Light Wash	Dial	
Plate Warmer	Dial	
Rinse Only	Dial	
Options	10	
Heated Dry	Rocker	
Racks (upper/lower)	Standard	
Silverware basket	Standard	
Control type	Turn-to-start	
Cycle progress indicator	Dial	
Rinse aid dispenser	●	
120°F inlet water capability	●	
Leveling screws	●	
Economical/Quiet		
Tub insulation	Standard	
Appearance		
Colors available	White / Black	
Weights & Dimensions		
Height w/legs retracted (in.)	34-1/8	
Overall width (in.)	18	
Overall depth (in.)	25-3/8	
Approx. shipping weight (lbs.)	70	
Accessories		
Requires kit for 3/16" panel capability with trim	GPF18	

Spacemaker Built-In Dimensions (in inches)

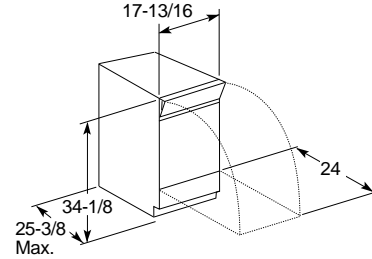


Figure 1

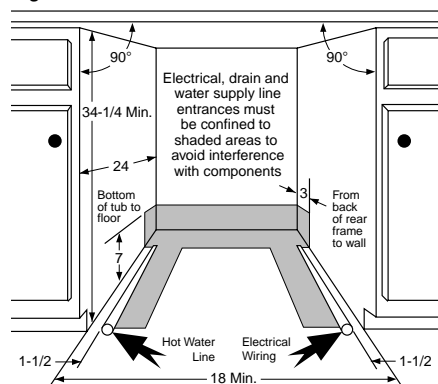
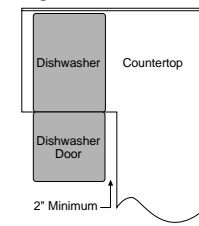


Figure 2



Dishwasher Rough-In Information

Note: Dishwasher must not be installed more than ten feet from sink for proper drainage. All plumbing and electrical work must be in accordance with local codes.

Most of the installation work should be done before the dishwasher is moved into place. First, select a location as close to the sink as possible for ready access to water and drain lines. For proper operation and appearance of the dishwasher, the cabinet opening should be square and have dimensions as shown in Figure 1. If the dishwasher is to be installed in a corner, there must be sufficient clearance to open the door as shown in Figure 2. A minimum clearance of 2" is recommended.

Rough-in the water, electrical, and drain lines before proceeding with installation. The lines should run straight to their connections on the dishwasher.

Note: Make sure that the lines do not cross in front of the dishwasher motor or its legs.

Note: For trim kit to install wood panel up to 3/16" thick on GSS1800H model only, order GPF18 panel kit.

See page 157 for warranty information.

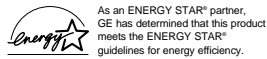
225

GE Spacemaker® Under-the-Sink Dishwashers

GE	
ENERGY STAR®	
GSM2100GWW GSM2100GCC	
Features	
Wash levels	2
Food disposer	•
Cycles	5
Pots & Pans	•
Normal Wash	•
Short Wash	Dial
Plate Warmer	Dial
Rinse Only	Dial
Options	12
Heated Dry	•
HotStart™	Dial
Racks, shelf & basket	
Upper rack	Spacemaker
Lower rack	Deluxe
Silverware basket	Deluxe
Control type	Turn-to-start
Cycle progress indicator	Dial
Pushbuttons	4
Rinse aid dispenser	•
Steel door	•
Center throw door latch	•
Quiet	
PermaTuf® tub and door liner	•
QuietPower™ motor	•
Appearance	
Colors available*	WW, CC
Color panels—door & access	Trimless
Weights & Dimensions	
Height w/legs retracted (in.)	34
Overall width (in.)	24
Overall depth (in.)	25-3/4
Approx. shipping weight (lbs.)	72
Accessories	
Requires kit for 1/4" panel capability with trim	GPF325W/C
Requires kit for trimless 3/4" panel capability	GPF375

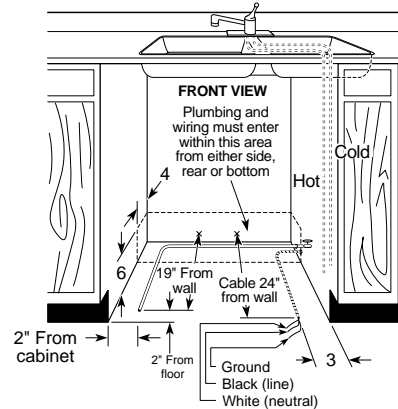
*Colors available: WW = White on white, CC = Bisque on bisque.

Note: Under-the-Sink dishwashers can be installed under GE cooktop models JP201C and JP202D. Refer to cooktop installation instructions.



As an ENERGY STAR® partner, GE has determined that this product meets the ENERGY STAR® guidelines for energy efficiency.

Plumbing/Electrical Rough-In



Plumbing: Hot Water Only: Use 3/8" O.D. copper tubing or 1/2" O.D. plastic tubing min. inlet line. Water valve has 3/8" internal threads. Hand cut-off valve is recommended.

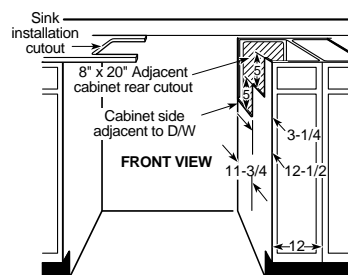
Electrical: Fuse circuit with 15 amp or 20 amp standard fuse or circuit breaker. Total amp load is 6.2. Dishwasher operates on 120V, 60 Hz power. Two-wire cable (14 Ga. Min.) with ground must be installed.

Note: All rough-in, both plumbing and electrical, must be completed before the dishwasher is installed. All plumbing and electrical work must be in accordance with local codes.

Specifications: Inlet Water Temperature Recommended: Minimum 120°F at dishwasher. Inlet Water Pressure Required: 15 to 120 lbs./sq. in.

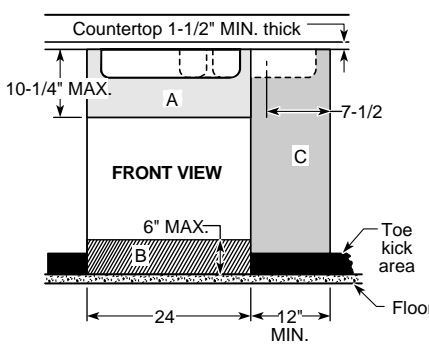
226 See page 157 for warranty information.

Cabinet Cutout for Sink



Cabinet cutouts for offset single and double bowl sinks. Dishwasher not provided with complete enclosure. Enclosures for sides, top, bottom, and back must be provided by installer at time of installation.

Cabinet Rough-In



Either single- or double-bowl sink may be used, centered or offset, as shown in the front illustration above. The 20-1/2" max. dimension from wall to front of sink bowl must be accurate if dishwasher is to fit properly under sink. Water lines to sink faucet and drain from sink can be run through area "A". HOT WATER line to dishwasher is installed in area "B". Garbage disposer, water lines to faucet, trap, waste air gap and water cut-off valve are installed in 12" wide cabinet shown in area "C". Sink opening for garbage disposer must be dimensioned as shown in front view, area "C" above (7-1/2"). This will provide clearance for disposer and plumbing in cabinet "C" when using double bowl sink. If the sink bowl is more than 20-1/2" max. specified distance from the wall, or if the base cabinet is less than the 24" min. depth from the wall, a gap between the tub front flange and the front of the base cabinet may result.

Stainless Steel Sinks Single- and Double-Bowl Models Dimensions (in inches)

Model Number	Overall Size		Inside Each Compartment		
	L	W	L	W	D
GPF95 (Single Bowl, R)*	25	21-1/4	21	15-3/4	5-3/8
GPF96 (Single Bowl, L)*	25	21-1/4	21	15-3/4	5-3/8
GPF97 (Double Bowl)	33	21-1/4	14	15-3/4	5-3/8

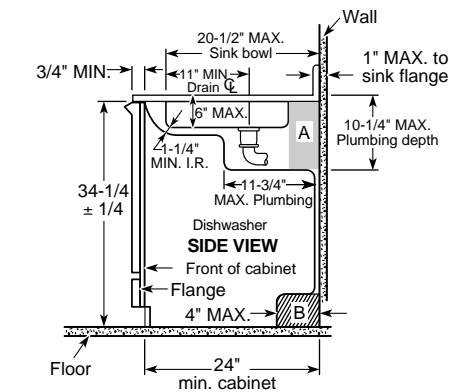
Model Number	Cutout In Countertop 1-1/2" Radius Corners		No. Of 1-1/2" Dia. Faucet Holes	Ship. Wt. Lbs.
	L	W		
GPF95 (Single Bowl, R)*	24-3/8	20-5/8	3 or 4**	10
GPF96 (Single Bowl, L)*	24-3/8	20-5/8	3 or 4**	10
GPF97 (Double Bowl)	32-3/8	20-5/8	3 or 4**	12-1/2

Note: Drain opening size is 3-1/2".

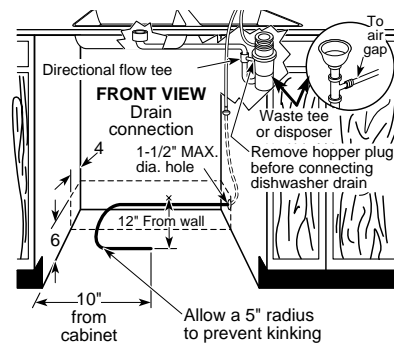
Above models are fully sound deadened.

*Suffix "L" or "R" means drain outlet is located in upper left or right corner of sink compartment.

**All have four holes, but one hole has a removable plug.

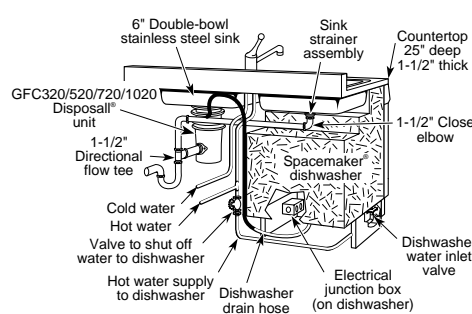


Rough-In for Installation with Disposer



A close-fitting elbow or special shallow sink strainer is necessary to provide clearance between sink drain and dishwasher. Dishwasher furnished with 1/2" I.D. drain hose, 78" long. If using copper tubing, 2" length of 1/2" I.D. rubber hose must be provided to connect copper tubing to pump outlet. Disposer should have 7/8" I.D. dishwasher drain connector.

Rear View Plumbing Arrangement





Dishwasher Accessories

Dishwasher Panel Kits and Accessories:

Models: GSC3200, GSM2100, GSD1900, GSD2000, GSD2001, GSD2200, GSD2201 and GSD3200.

GPF310W/C/A/B—panel kit (door and access)

Models: GSD5560, GSD5500, GSD4800, GSD3800, GSD3660, GSD3600 and GSC3400.

GPF410S/W/C/A/B—panel kit (door and access)

Models: PDW8500, PDW7700, GSD6860, GSD6660, GSD6600, GSD6260 and GSD6200.

GPF610S/W/C/B—panel kit (door)

Models: GSD6900, PDW7300G, PDW7800G, PDW7880G.

GPF710S/W/C/B—panel kit (door)

Models: PDW8680, PDW8600, PDW8480, PDW8400, PDW8280, PDW8200, PDW7880J, PDW7800J and PDW7300J.

GPF810S/W/C/B—panel kit (door)

Side Panel for All GE Models:

Contains one panel and adjustable toe-kick for end cabinet installation of built-in model. Does not attach to dishwasher.

Specify color: GPS5WW—White, GPS5CC—Bisque

NOTE: S = Stainless steel, W = White, C = Bisque, A = Almond, B = Black

Wood Panel Capability:

Model: GSS1800H.

GPF18—up to 3/16" panel trim kit

Models: GSD3200, GSD2200, GSD2201, GSD2000, GSD2001, GSD1900, GSC3200 and GSM2100.

GPF325W/C/B—1/4" panel trim kit (door and access)

GPF375—3/4" panel trim kit (door and access [GPF100—heavy-duty spring kit included])

Models: GSD5500, GSD4800, GSD3800, GSD3600 and GSC3400.

GPF425W/C/A/B—1/4" panel trim kit (door and access)

GPF475—3/4" panel trim kit (door and access [GPF100—heavy-duty spring kit included])

Models: PDW7700, GSD6600 and GSD6200.

GPF625W/C/B (or) GPF825W/C/B—1/4" panel trim kit (door)

GPF675W/C/B (or) GPF875W/C/B—3/4" panel trim kit (door)

Model: PDW8500.

GPF825W/C/B—1/4" panel trim kit (door)

GPF875W/C/B—3/4" panel trim kit (door)

Spacemaker Dishwasher Accessories:

Model: GSM2100.

GPF95—Stainless sink for Spacemaker dishwasher—single bowl 21-1/4" x 25". Drain hole on right; elbow and strainer included.

GPF96—Stainless sink for Spacemaker dishwasher—single bowl 21-1/4" x 25". Drain hole on left; elbow and strainer included.

GPF97—Stainless sink for Spacemaker dishwasher—double bowl 21-1/4" x 33". Elbow and strainer included.

Optional Dishwasher Accessories:

GPF53—Brackets for under non-wood countertop installation (Triton™, Nautilus™, Spacemaker Under-the-Sink only)

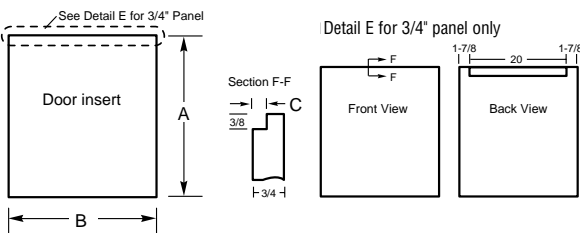
GPF65—Brackets for under non-wood countertop installation. (Profile™ and Triton XL™ [included with Profile])

GPF100—Heavy spring kit for custom door panel weighing more than 4 lbs. (Triton and Nautilus only)

*Excludes PDW8060, PDW8000, PDW8200, PDW8280, PDW8400, PDW8480, PDW8600, PDW8680 and PDW8500

Wood Insert Cutout Dimensions (in inches)

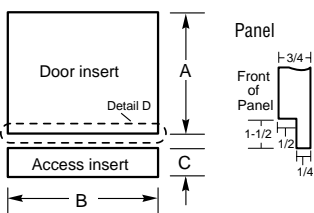
Kits: GPF625, GPF675, GPF825 and GPF875



Kit	A	B	C	Panel Thickness
GPF625	25-1/16"	23-1/2"	N/A	1/4"
GPF675	25-7/16"	23-3/4"	3/8"	3/4"
GPF825	25-1/16"	23-1/2"	N/A	1/4"
GPF875	25-7/16"	23-3/4"	1/4"	3/4"

Wood Insert Cutout Dimensions (in inches)

Kits: GPF18, GPF325, GPF375, GPF425 and GPF475

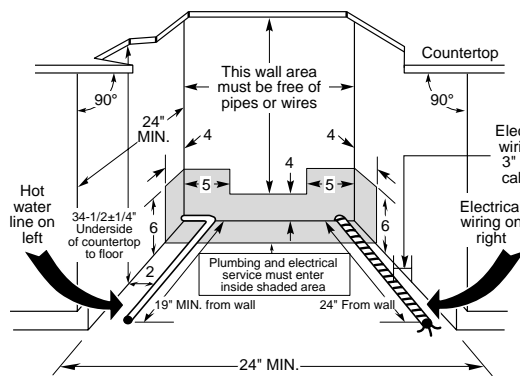


Kit	A	B	C	Panel Thickness
GPF18	17-5/16"	17-7/16"	6-1/2"	3/16"
GPF325	18-7/8"	23-9/16"	3-11/16"	1/4"
GPF375	18-15/16"	23-5/8"	3-3/4" to 4-1/4"	3/4"
GPF425	19-3/4"	23-9/16"	3-11/16"	1/4"
GPF475	19-7/8"	23-5/8"	3-11/16" to 4-1/4"	3/4"

*Bottom of panel must be notched 1-1/2" x 1/2" to clear access panel. (See illustration above)

**Adjustment required to match adjacent cabinet fronts due to leveling adjustment, 4" nominal.

GE Profile™ and GE® Dishwashers Installation Information (in inches)



Dishwasher Rough-In Information

Note: Dishwasher must not be installed more than ten feet from sink for proper drainage. All plumbing and electrical work must be in accordance with local codes.

Note: If a flush look is needed, a 25" base cabinet needs to be used (except Profile* and Triton XL models).

The power cord and connections must comply with the National Electrical Code Section 422 and/or local codes and ordinances. The cord must be no longer than six feet from the junction box to the receptacle.

See page 157 for warranty information.



GE Disposall® — Food Waste Disposer

Features	GE Continuous Feed								Batch Feed	Three-Bolt Adaptable
	GFC1020F	GFC720F	GFC530F	GFC535F	GFC520F	GFC525F	GFC320F	GFC325F	GFB760F	GFC329G
Motor horsepower	1	3/4	1/2	1/2	1/2	1/2	1/3	1/3	3/4	1/3
Control method	Wall switch	Wall switch	Wall switch	Wall switch	Wall switch	Wall switch	Wall switch	Wall switch	Stopper	Wall switch
Feed type	Continuous	Continuous	Continuous	Continuous	Continuous	Continuous	Continuous	Continuous	Batch	Continuous
Power connection	Direct wire	Direct wire	Direct wire	Line cord	Direct wire	Line cord	Direct wire	Line cord	Direct wire	Line cord
Impellers										
Dual-swivel	•	•	•	•	•	•	•	•	•	•
Jam resistant	•	•	•	•	•	•	•	•	•	•
Stainless steel	•	•	•	•	•	•	•	•	•	•
Armature shaft material	Cold-rolled carbon steel	Cold-rolled carbon steel	Cold-rolled carbon steel	Cold-rolled carbon steel	Cold-rolled carbon steel	Cold-rolled carbon steel	Cold-rolled carbon steel	Cold-rolled carbon steel	Cold-rolled carbon steel	Cold-rolled carbon steel
Grinding speed (RPM's)	2,800	2,700	2,600	2,600	2,600	2,600	1,900	1,900	2,700	1,900
Capacity	Super	Super	Extra-large	Extra-large	Large	Large	Large	Large	Super	Large
Mounting type	EZ-Mount	EZ-Mount	EZ-Mount	EZ-Mount	EZ-Mount	EZ-Mount	EZ-Mount	EZ-Mount	EZ-Mount	3-Bolt Mount Adapter
Turntable material	Stainless	Stainless	Stainless	Stainless	Galv. steel	Galv. steel	Galv. steel	Galv. steel	Stainless	Galv. steel
Two-level precutter	•	•	•	•	•	•	•	•	•	•
Stainless steel sink flange	•	•	•	•	•	•	•	•	•	•
Manual reset overload protector	•	•	•	•	•	•	•	•	•	•
Splash guard	•	•	•	•	•	•	•	•	•	•
Sink stopper	•	•	•	•	•	•	•	•	•	•
Dishwasher drain connector	•	•	•	•	•	•	•	•	•	•
Drain elbow	•	•	•	•	•	•	•	•	•	•
Quiet										
Sound insulation package	QuietPower™ III	QuietPower II	QuietPower I	QuietPower I	Standard	Standard	Standard	Standard	QuietPower II	Standard
Weights & Dimensions										
Approx. shipping weight (lbs.)	14.9	12.45	9.6	9.9	8.8	9.1	8.4	8.7	13.75	8.0
Net weight (lbs.)	13.2	10.7	8.05	8.35	7.8	8.1	7.4	7.7	11	7.4
Dishwasher inlet diameter (in.)	3/4	3/4	3/4	3/4	3/4	3/4	3/4	3/4	3/4	3/4
Drain outlet diameter (in.)	1-1/2	1-1/2	1-1/2	1-1/2	1-1/2	1-1/2	1-1/2	1-1/2	1-1/2	1-1/2
Power Ratings										
Volts, Hertz, Amps	120; 60; 7.0	120; 60; 6.0	120; 60; 4.5	120; 60; 4.5	120; 60; 4.5	120; 60; 4.5	120; 60; 4.0	120; 60; 4.0	120; 60; 6.0	120; 60; 4.0
Warranty*										
One-year full replacement							•	•		•
One-year full replacement plus One-year limited replacement					•	•				
One-year full replacement plus Two-year limited replacement			•	•						
One-year full replacement plus Four-year limited replacement		•							•	
One-year full replacement plus Six-year limited replacement	•									

*See written warranty for details.

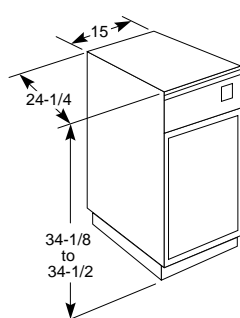
Built-In Compactors

Features	GE Profile™
	GCG1550FCC, GCG1540FSS, GCG1530FWW, GCG1520FBB
Cycle time	27 seconds max., 14 seconds min.
Drive system	2-Point
Motor horsepower	1/3
Compression ratio (average)	75% reduction of volume
Ram force (lb.) (max.)	2,300
Front level legs and rear wheels	•
Capacity	1.4 cu. ft.
Side release bin	•
Toe/foot pedal drawer opener	•
Lock/start control w/removable key	•
Automatic anti-jam	•
Slide-out drawer	•
Appearance	
Color appearance*	SS, WW, CC, BB
Color-matched	•
Heavy-gauge steel construction	•
1/4" panel capability	•
Weights & Dimensions	
Total shipping weight (lbs.)	152
Total appliance weight (lbs.)	141
Overall height (in.)	34-1/8 to 34-1/2
Overall width (in.)	15
Overall depth (in.)	24-1/4
Cutout dimensions H x W x D (in.)	34-1/4 x 15-1/8 x 24-3/4
Clearance for drop-down drawer side	6" or more on right side
Drawer extension for removal	23" or more in front of appliance
Custom panel size H x W (in.)	23-15/16 x 14-5/8
Accessories	
Compactor bags (5 included)	WC60X5017
Warranty	
Full one-year warranty**	•

*Colors available: SS = Stainless steel, WW = White on white, CC = Bisque on bisque, BB = Black on black.

**See written warranty for details.

Compactor Dimensions (in inches)



Compactor Accessories:

New 1/4" panel trim kits (color-matched)
GPF82S—Stainless steel
GPF82W—White
GPF82C—Bisque
GPF82B—Black

GFC329G—Designed to easily adapt to existing 3-bolt mount system of the following models

	ISE®	Emerson®	Sears®
Grind-All	333	E-10	42-6070
Badger 1	333 SS	E-20	42-6051
Badger 5+	77	E-30	42-6050
Badger 5	Classic	E-40	42-6040
777	Medallion	E-80	42-6011
555	Pro 77	E-90	42-6013
444	Pro 333	E-100	42-6010
17	Pro 333 SS		42-6012

ISE® and In-Sink-Erator® are registered trademarks of Emerson Electric Co.

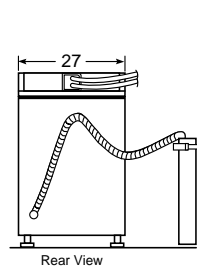
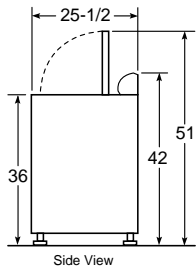
GE Profile™ Washers

GEAppliances.com

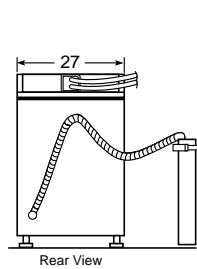
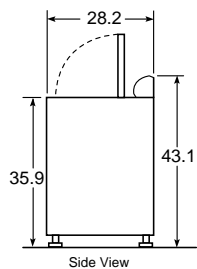
	GE Profile						
	WPGT9350C	WPRB9220C	WPSB9120B	WHSB9000B	WPSB9080B	WPSB8060B	WHSB8000B
Capacity							
Capacity (cu. ft.)	King-Size 4.0*	King-Size 3.5	Super Plus 3.2	Super Plus 3.2	Super Plus 3.2	Super Plus 3.2	Super Plus 3.2
Features							
ENERGY STAR®	●	●		●			●
Controls	LCD display	Easy Touch	One-Touch Electronic	One-Touch Electronic	One-Touch Electronic	One-Touch Electronic	One-Touch Electronic
Communicates with DPGT750EC/GC	●						
HydroWash™ system	5 wash actions						
Max. rpm spin speed	1010	800	640	640	640	640	640
Auto load sensing	●						
Custom cycles	6	2	2	2			
Adaptive Logic™ system		●	●	●	●	●	●
Speed Wash	Quick Clean	●	●	●			
Power Rinse™		●	●	●	●	●	●
Cycle status lights	LCD display	●	●	●	●	●	●
Wash/rinse temps	4	4	4	3	4	4	3
Wash/spin speed combinations	Multiple	35	12	10	8	6	6
Water levels	Adaptive	4	4	4	4	4	4
Temperature management system	RightTemp	PerfecTemp Plus	PerfecTemp Plus	PerfecTemp Plus	PerfecTemp Plus	PerfecTemp Plus	PerfecTemp Plus
SpotSpray			●	●	●	●	●
Flow-thru™ time dispensers	●						
Fabric softener dispenser	Time-released	●	●	●	●	●	●
Bleach dispenser	Time-released	●	●	●	●	●	●
Infusor™	●						
Agitator		GentlePower™	GentlePower	GentlePower	GentlePower	GentlePower	GentlePower
End-of-cycle signal	Variable	Variable	Variable	Variable	Variable	●	●
Add bleach signal			●	●	●		
Number of wash cycles	Multiple	Multiple	Multiple	Multiple	Multiple	Multiple	Multiple
Cycle Countdown	LCD	LED	LED	LED	LED	LED	LED
Cycles							
Whites	●	●	●	●	●	●	●
Colors	●	●	●	●	●	●	●
Dark Colors	●	●	●	●	●	●	●
Easy Care	●	●	●	●	●	●	●
Handwash	●	Ultra	Ultra	Ultra	Deluxe	Pulsed	Pulsed
Specialty Cycles	Multiple					Casuals-Pulsed	Casuals-Pulsed
Optional Soil Levels							
Stain Wash	Stain Inspector™	●	●	●			
Extra Heavy Soil	Super Clean	●			●		
Heavy Soil	●	●	●	●	●	●	●
Medium Soil	●	●	●	●	●	●	●
Light Soil	●	●	●	●	●	●	●
Extra Light						●	●
Presoak	●		●	●	●	●	●
Quick Rinse (Prewash)	●	●			●	●	●
Spin Only	●	●	●	●	●	●	●
2nd Rinse	●	●	●	●	●	●	●
Extended Spin	●		●	●	●	●	●
Delay Start	●	●	●	●			
Color lid instructions	●	●	●	●	●	●	●
Color stain guide	LCD display		●	●	●	●	●
Washer basket type	Stainless Steel	Stainless Steel	ExtrAction™ basket	ExtrAction basket	ExtrAction basket	ExtrAction basket	ExtrAction basket
Quiet							
Quiet performance	Supreme	Hush Quiet Plus	Hush Quiet Plus	Hush Quiet Plus	Deluxe Quiet Plus	Deluxe Quiet	Deluxe Quiet
Appearance							
Reversible control panel	●						
Colors available**	PL, WW	WW, CC	WW, CC	WW, CC, WC	WW, CC	WW, CC	WW, CC
Weights							
Approx. shipping weight	155	175	160	160	160	160	160

*Washes equivalent amount of clothes as 4.0 cu. ft. agitator machine per IEC ratios.
 **PL = Dark Platinum, WW = White on white, CC = Bisque on bisque, WC = Brushed Aluminum. WC available on WHSB9000B only.

Washer Dimensions (in inches)



Washer Dimensions (in inches) GE Profile Harmony™ Washer



Washer Specifications

Circuit Requirements:

An individual, properly grounded branch circuit, with a three-prong grounding-type receptacle, protected by a 15- or 20-amp circuit breaker or time-delay fuse is required.

Electrical Rating:

115V, 60Hz, 10A

Washer Note:

Washer wall outlet must be located within 36" of service cord entry. Wall outlet must not be located behind dryer.

See page 158 for warranty information. 229

Refrigeration

Cooking Products

Microwave Ovens

Dishwashers

Clothes Care

Water Systems

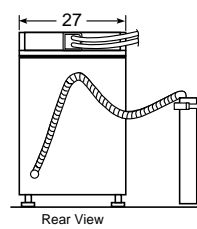
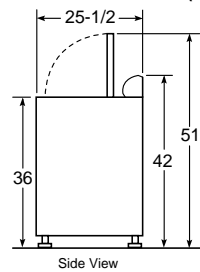
Air Conditioning

GE® Washers

	GE		
	WCSE6270B	WCSE4160B	WCSR2080B
Capacity			
Capacity (cu. ft.)	Super Plus 3.2	Super Plus 3.2	Super 3.2
Features			
Controls	Rotary-Elect.	Rotary-Elect.	Rotary-Mech.
Power Rinse™		●	●
Cycle status lights	●	●	
Wash/rinse temps	4	3	3
Wash/spin speed combinations	6	4	2
Water levels	4	3	3
Temperature management system	PerfectTemp		
SpotSpray	●		
Fabric softener dispenser	●	●	
Bleach dispenser	●	●	●
Agitator	GentlePower™	GentlePower	FlexCare™
Number of wash cycles	27	16	8
Cycles			Whites
Cottons Regular			
Extra Heavy Soil	●	●	
Heavy Soil	●	●	●
Medium Soil	●	●	●
Light Soil	●	●	●
Extra Light	●	●	●
Auto Soak (15 Min.)	●	●	
Auto Soak (30 Min.)	●	●	
Easy Care			
Extra Heavy Soil		●	
Heavy Soil	●	●	
Medium Soil	●	●	
Light Soil	●	●	
Auto Soak (15 Min.)		●	
Casuals – Pulsed			
Heavy Soil	●		●
Medium Soil	●		●
Light Soil			●
Delicate			
Medium Soil	●	●	
Light Soil		●	
Handwash – Pulsed			
Medium Soil	●		
Quick Rinse (Prewash)	●	●	
Spin Only	●	●	
2nd Rinse	●		
Extended Spin	●		
Rinse and Spin			●
Color lid instructions	●	●	
Washer basket type	PermaTuf® II	PermaTuf II	PermaTuf II
Quiet			
Quiet performance	Deluxe Quiet	Quiet-By-Design™	Quiet-By-Design
Appearance			
Colors available*	WW	WW, CC	WW, CC
Weights			
Approx. shipping weight (lbs.)	160	160	160

*WW = White on white, CC = Bisque on bisque.

Washer Dimensions (in inches)



Washer Specifications

Circuit Requirements:

An individual, properly grounded branch circuit, with a three-prong grounding-type receptacle, protected by a 15- or 20-amp circuit breaker or time-delay fuse is required.

Electrical Rating:

115V, 60Hz, 10A

Washer Note:

Washer wall outlet must be located within 36" of service cord entry. Wall outlet must not be located behind dryer.

See page 158 for warranty information.

230

GE Profile™ and GE Dryers

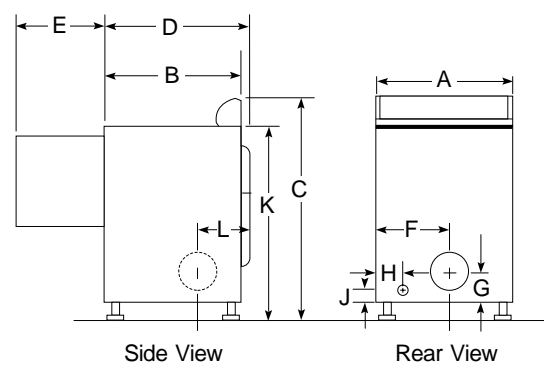
GEAppliances.com

	GE Profile					GE				
	Electric	DPGT750EC	DPSB620EC	DPSB519EB	DPXB515EB	DPSB513EB	DWXR483EB	DBXR463EB	DJXR433EC	DBL333EB
Gas	DPGT750GC	DPSB620GC	DPSB519GB	DPXB515GB	DPSB513GB	DWXR483GB	DBXR463GB	DJXR433GC	DBL333GB	
Capacity										
Capacity (cu. ft.)	King-Size 7.3	King-Size 7.0	Super 7.0	Extra-Large 6.0	Super 7.0	Extra-Large 6.0	Extra-Large 6.0	Extra-Large 6.0	Extra-Large 5.7	
Features										
Controls	LCD display	Easy Touch	One-Touch Electronic	One-Touch Electronic	One-Touch Electronic	Rotary - Mechanical	Rotary - Mechanical	Rotary - Mechanical	Rotary - Mechanical	
Communicates with WPGT 9350C	•									
Dual thermistors	•	•								
Variable blower motor	•									
Variable heater	•									
Custom cycles	6	2	2	1						
Adaptive Logic™ system	•	•	•	•	•					
Speed Dry		•	•	•	•					
Cycle status lights	LCD display	•	•	•	•					
Heat management system	DuoDry™	Perfect Dry™	Sensor Dry Plus	Sensor Dry Plus	Sensor Dry Plus	Auto Dry	Auto Dry	Auto Dry	Auto Dry	
Heat selections	5	5	5	5	5	4	4	4	3	
End-of-cycle signal	Variable	Variable	Variable	Variable	•	Variable				
Damp dry signal		•	•	•	•					
Number of dry cycles	Multiple	Multiple	Multiple	Multiple	Multiple	8	6	3	3	
Cycle Countdown	LCD display	LED	LED	LED	LED					
Cycles										
Cottons	•	•	•	•	•					
Mixed Loads	•	•	•	•	•					
Easy Care	•	•	•	•	•					
Knits/Sweaters	•	•	•	•	•					
Delicates w/Extra-Low temp.	•	•	•	•	•					
Fabric Care	Multiple									
Optional Dryness Levels										
More Dry	•	•	•	•	•					
Dry	•	•	•	•	•					
Less Dry	•	•	•	•	•					
Sensor Damp Dry	•	•	•	•	•					
Options										
Wrinkle Care	Extended Tumble	Extended Tumble Plus	Extended Tumble	Extended Tumble	Extended Tumble	On/Off				
Drye!® Cycle	•		•							
Antibacterial		•	•							
Dewrinkle	•	•	•	•	•					
AirDry	•	•	•	•	•					
Add Time	•	•	•	•	•					
Warm Up			•							
Cottons										
Auto Cottons Cycle						•	•		•	
Optional Wrinkle Care						•				
Easy Care										
Auto Easy Care						•	•	•	•	
Optional Wrinkle Care						•				
Timed Dry										
Actual minutes on timer	•	•	•	•	•	80 Min.	80 Min.	60 Min.	80 Min.	
Damp Dry						•	•			
Dewrinkle						•	•			
Quick Fluff (no heat)						•	•			
Delay Start	•	•	•							
Deluxe dryer rack	•	•	•	•	•					
Dryer interior light	•	•	•	•	•	•	•			
Interior finish	Stainless Steel	Stainless Steel	DuraDrum	DuraDrum	DuraDrum	DuraDrum	DuraDrum	DuraDrum	Painted	
Clean lint filter reminder		•	•	•	•					
Quiet										
Quiet performance	Supreme	Hush Quiet Plus	Hush Quiet Plus	Hush Quiet	Deluxe Quiet	Quiet-By-Design™	Quiet-By-Design	Quiet-By-Design	Quiet-By-Design	
QuietDrum		•	•	•						
Appearance										
Reversible control panel	•									
Colors available*	PL, WW	WW, CC	WW, CC, WC	WW, CC	WW, CC	WW, CC**	WW, CC	WW, CC	WW, CC	
Weights										
Approx. ship. wt. (Elec.)	155	130	130	130	130	112	112	112	125	
Approx. ship. wt. (Gas)	155	125	125	125	125	115	115	115	130	

*PL = Dark Platinum, WW = White on white, CC = Bisque on bisque, WC = Brushed Aluminum. WC only available on DPSB519EB/GB.
 **DWXR483GB available in White on white only.

Refrigeration
 Cooking Products
 Microwave Ovens
 Dishwashers
 Clothes Care
 Water Systems
 Air Conditioning

Dryer Dimensions (in inches)



	7.3 cu. ft. capacity	7.0 cu. ft. capacity	6.0 cu. ft. capacity	5.7 cu. ft. capacity
A	27	27	27	27
B	29.4	25-1/2*	25-1/2*	25-1/2*
C	43-1/4	42	42	42
D	29	28-1/4	25-3/4	25-3/4
E	22-1/2	23-1/2	23-1/2	23-1/2
F	13	11-1/2	11-1/2	11-3/4
G	3-1/2	3-1/2	3-1/2	5-1/2
H	2	2	2	2
J	2-1/2	2-1/2	2-1/2	2-1/2
K	37-1/4	36	36	36
L	3-1/2	8-1/2	5-1/4	4-3/4

*24-1/2" from the edge of the side panel to the front. 25-1/2" from front to edge of end caps.

Dryer Specifications

Exhaust options:

Electric: 4-way via rear, right, left and bottom.

Gas: For 6.0, 7.0 and 7.3 cu. ft. dryers, when viewed from the front of the unit, exhaust 3-way via rear, left and bottom. For 5.7 cu. ft. dryers, when viewed from the front of the unit, exhaust 3-way via rear, right and bottom. Dryer is shipped exhausted to the rear. Alternate exhausting knockouts are supplied.

Circuit Requirements:

Electric: An individual, properly-grounded branch circuit, protected by a 30-amp circuit breaker or a time-delay fuse is required.

Electric Dryer Rating:

240V, 6000W, 28.5A, 60Hz—7.3 cu. ft. dryer
240V, 5600W, 24A, 60Hz—5.7, 6.0, 7.0 cu. ft. dryer
208V, 4400W, 22A, 60Hz—5.7, 6.0, 7.0 cu. ft. dryer

Gas: An individual, properly-grounded branch circuit, with a three-prong grounding-type receptacle, protected by a 15- or 20-amp circuit breaker or a time-delay fuse is required.

Gas Dryer Electric Rating:

120V, 60Hz, 6A

Gas (BTU/HR): 22,000 (25,000 for 7.3 cu. ft. dryer; 20,000 for 5.7 cu. ft. dryer). Factory-equipped for natural gas. Tested for LP gas. LP gas supply requires an optional conversion kit. 5.7 cu. ft. model kit is WE25X10003, 6.0 and 7.0 cu. ft. model kit is WE25X0217 and 7.3 cu. ft. model kit is WE25X10012. Have a qualified gas technician install a conversion kit. See dryer ducting information for proper installation.

Dryer Note: Dryer wall outlet must be located within 36" of service cord entry and accessible when dryer is mounted in position.

Special Installation Requirements

Alcove or Closet Installation

- If your dryer is approved for installation in an alcove or closet, it will be stated on a label on the dryer back.
- The dryer **MUST** be exhausted to the outdoors. See installation instructions.
- Minimum clearances between dryer cabinet and adjacent walls or other surfaces are:
0" either side
3" front and rear
- Minimum vertical space from floor to overhead cabinets, ceilings, etc. is 52".
- Closet doors must be louvered or otherwise ventilated and must contain a minimum of 60 sq. in. of open area equally distributed. If this closet contains both a washer and a dryer, doors must contain a minimum of 120 sq. in. of open area equally distributed.
- The closet should be vented to the outdoors to prevent gas pocketing in case of a gas leak in the supply line.
- No other fuel-burning appliance shall be installed in the same closet with the dryer.

Bathroom or Bedroom Installation

- The dryer **MUST** be exhausted to the outdoors. See installation instructions.
- The installation must conform with the local codes, or in the absence of local codes, with the National Fuel Gas Code, ANSI Z223.

Minimum Clearances other than Alcove or Closet Installations

- Minimum clearances to combustible surfaces:
0" both sides
3" rear

For more information on venting kits and accessories, please call 1-800-GE-CARES.

See pages 158 for warranty information.

232

Dryer Exhausting Information

For complete information see installation instructions packed with dryer.

Important Note: GE Kit Number 14-A018 needed when converting rear exhaust to bottom or side. (On 5.7 extra-large capacity models only.)

Order pub. no. 14-A003 for 7.3 cu. ft. dryer elbow kit.

Ducting Materials

For best performance, this dryer should be vented with 4" diameter all rigid metal exhaust duct. If "all rigid metal" duct cannot be used, then "flexible all metal" venting can be used, but it will reduce the maximum recommended duct length.

The following kit or parts are available from your local service organization.

Kit WX8X75—7" aluminum duct and 4" hood, short tail.

(OR individual parts):

WX8X65 7" aluminum flex duct only

WX8X58 4" clamps (2)

WX8X67 4" exhaust hood

See installation instructions for complete information.

Exhaust length calculation:

1. Determine the number of 90° turns needed for your installation. If you exhaust to the side or bottom of dryer, add one turn.
2. The maximum length of 4" rigid (aluminum or galvanized) duct which can be tolerated is shown in the table.

The maximum lengths for flexible ducts are less than for rigid duct.

See table in installation instructions. A turn of 45° or less may be ignored.

Two 45° turns within the duct length should be treated as a 90° elbow.

A turn over 45° should be treated as a 90° elbow.

Exhausting the dryer to the outside is strongly recommended to prevent large amounts of moisture and lint from being blown into the room. Gas dryers or any dryer located in a closet **must** be exhausted to the outside.

Caution: For personal safety do not terminate exhaust into a chimney, under any enclosed house floor (crawl space), or into an attic, since the accumulated lint could create a fire hazard or moisture could cause damage. Never terminate the exhaust into a common duct or plenum with a kitchen exhaust, since the combination of lint and grease could create a fire hazard.

Exhaust ducts should be terminated in a dampered wall cap to prevent back drafts, bird nesting, etc. The wall cap must also be located at least 12" above the ground or any other obstruction with the opening pointed down. Other terminations, such as louvered wall boxes, are acceptable provided they are equivalent to a 4" opening dampered wall cap.

Dryer Exhausting Information—Use Metal Duct Only

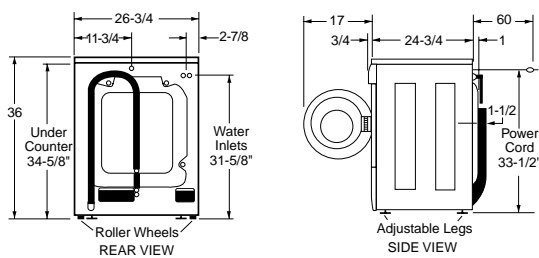
Vertical and Horizontal Ducting

	Number of 90° Turns	Best Performance			
		Maximum Length of 4" Dia. Rigid Metal Duct		Maximum Length of 4" Dia. Flexible Metal Duct	
		Exhaust Hood Type		Exhaust Hood Type	
		A 4" Opening	B 2-1/2" Opening	A 4" Opening	B 2-1/2" Opening
Domestic Dryer Models	0	150 ft.	127 ft.	75 ft.	52 ft.
	1	140 ft.	117 ft.	65 ft.	42 ft.
	2	130 ft.	107 ft.	55 ft.	32 ft.
	3	120 ft.	97 ft.	45 ft.	22 ft.
7.3 Capacity Electric and Gas Dryers	4	110 ft.	87 ft.	35 ft.	12 ft.
	0	90 ft.	60 ft.	55 ft.	45 ft.
	1	60 ft.	45 ft.	40 ft.	30 ft.
	2	45 ft.	35 ft.	30 ft.	20 ft.
7.0 and 6.0 Capacity Models	3	35 ft.	25 ft.	20 ft.	15 ft.
	4	25 ft.	15 ft.	15 ft.	10 ft.
7.0 and 6.0 Capacity Models	0	45 ft.	30 ft.	30 ft.	15 ft.
	1	35 ft.	20 ft.	20 ft.	10 ft.
	2	25 ft.	10 ft.	10 ft.	—
All Gas Dryers	3	15 ft.	—	—	—
	0	60 ft.	48 ft.	30 ft.	18 ft.
	1	52 ft.	40 ft.	22 ft.	14 ft.
5.7 Capacity Electric and Gas Dryers	2	44 ft.	32 ft.	14 ft.	10 ft.
	3	32 ft.	24 ft.	—	—
	4	28 ft.	16 ft.	—	—
Spacemaker® Models	0	46 ft.	37 ft.	30 ft.	24 ft.
	1	38 ft.	30 ft.	25 ft.	20 ft.
	2	31 ft.	22 ft.	20 ft.	14 ft.
	3	24 ft.	15 ft.	16 ft.	10 ft.
Spacemaker Model	0	56 ft.	42 ft.	30 ft.	22 ft.
	1	46 ft.	36 ft.	22 ft.	14 ft.
	2	34 ft.	28 ft.	16 ft.	10 ft.
WSM2700W	3	32 ft.	18 ft.	10 ft.	5 ft.
	0	43 ft.	36 ft.	30 ft.	24 ft.
Spacemaker Models	1	33 ft.	26 ft.	24 ft.	18 ft.
	2	23 ft.	16 ft.	16 ft.	10 ft.
WSM2420T					
WSM2480T					

Front-Loading Washer

	GE Profile™	
	WPXH214A	WSXH208A
Capacity		
Capacity	Extra-Large	Extra-Large
Cubic feet	2.7/3.1 IEC	2.7/3.1 IEC
Features		
ENERGY STAR®	●	●
Total water usage	Approx. 25 gallons maximum	
Wash/rinse temperatures	7	4
Water levels	Auto. Adjustment	Auto. Adjustment
Standard rinse cycles	4	3
Motor speeds	Variable	Variable
ColorLogic™	●	●
Combinations*	HC, WW, WC, CC	HC, WW, WC, CC
Detergent dispenser (liquid/powder)	●	●
Bleach dispenser	●	●
Fabric softener dispenser	●	●
End-of-cycle signal	Fixed	Adjustable
Final spin/speed selections	4	Automatic
Number of wash cycles	14	8
Cotton		
Heavy Soil	●	●
Medium Soil	●	●
Light Soil	●	●
Easy Care		
Medium Soil/Perm. Press	●	●
Light Soil/Wrinkle Free	●	●
Delicates/Ultra Care	●	●
Pre-Wash	●	●
Quick Wash	●	●
Extra-Rinse Cycle/Auto Option	3	2
Max. spin speed	950	850
AutoTemp	●	●
Noise package	Deluxe	Standard
Leveling legs	●	●
Stainless steel wash basket	●	●
Appearance		
Colors available	White on white, Bisque on bisque	White on white
Weights & Dimensions		
Approx. shipping weight (lbs.)	217	217
Flexible installation	Undercounter, stacked, side-by-side	

Washer Dimensions (in inches)



Washer Specifications

Circuit Requirements: An individual, properly grounded branch circuit, with a three-prong grounding-type receptacle, protected by a 15- or 20-amp circuit breaker or time-delay fuse is required.

Electrical Requirements: 120V, 60 Hertz, 12.0 Amps
See Pub. No. 31-2819 for installation information.

Special Installation Requirements

- Undercounter Installation**
- Accessory mounting kits are required for undercounter installation. To order, call 1-800-848-7722.
 - Washer—Order Pub. No. 14-A037
 - Dryer—Order Pub. No. 14-A008
- Stacked Installation**
- Brackets for stacking dryer over washer are included with the dryer.
- Alcove or Closet Installation**
- If your dryer is approved for installation in an alcove or closet, it will be stated on a label on the dryer back.
 - The dryer MUST be exhausted to the outdoors.
 - See EXHAUST INFORMATION on previous page.

- Minimum clearances between dryer cabinet and adjacent walls or other surfaces are:
0" either side
3" front and rear
- Minimum vertical space from floor to overhead cabinets, ceilings, etc. is 52".
- Closet doors must be louvered or otherwise ventilated and must contain a minimum of 60 sq. in. of open area equally distributed. If this closet contains both a washer and a dryer, doors must contain a minimum of 120 sq. in. of open area equally distributed.
- The closet should be vented to the outdoors to prevent gas pocketing in case of a gas leak in the supply line.
- No other fuel-burning appliance shall be installed in the same closet with the dryer.

Bathroom or Bedroom Installation

- The dryer MUST be exhausted to the outdoors. See EXHAUST INFORMATION on previous page.
- The installation must conform with the local codes, or in the absence of local codes, with the National Fuel Gas Code, ANSI Z223.

Minimum Clearances other than Alcove or Closet Installations

- Minimum clearances to combustible surfaces:
0" both sides
3" rear

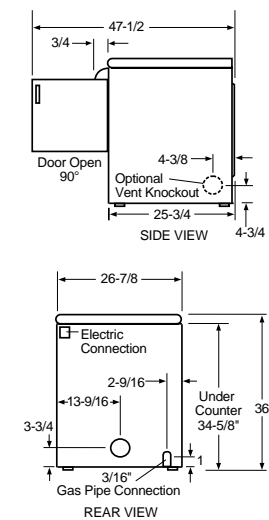
For more information on venting kits and accessories, please call 1-800-GE-CARES.

See page 158 for warranty information.

Front-Loading Matching Dryer

	GE Profile	
	DPXH46EA/GA	DSXH43EA/GA
Capacity		
Capacity	Extra-Large	Extra-Large
Cubic feet	5.7	5.7
Features		
Tumble drying	●	●
Time dry cycles	1	1
Auto dry cycles	3	2
Sensor Dry	●	●
ColorLogic	●	●
Temperature options	4	4
Regular/Cottons	●	●
Medium/Perm. Press	●	●
Low/Delicates	●	●
Air Fluff/No Heat (Cool Down)	●	●
Wrinkle Care cycle	2	●
Moisture sensor	●	●
Drying rack	●	●
Auto Dry Cycles		
Cottons	●	●
Easy Care	●	●
Knits/Delicate	●	●
Cool Down	●	●
Quick clean lint screen	●	●
End-of-cycle signal	Fixed	Adjustable
Dryer interior light	●	●
Reverse-A-Door	●	●
Dura Finish top and drum	●	●
Spill-Saver top	●	●
Poly tumbling vanes	●	●
Leveling legs	●	●
100% front serviceable	●	●
Exhaust options (Electric/Gas)	4/3	4/3
Heavy-duty suspension system	●	●
Appearance		
Colors available	White on white, Bisque on bisque	White on white
Weights & Dimensions		
Approx. shipping weight (Elec/Gas)	116	116
Flexible installation	Undercounter, stacked, side-by-side	
LP conversion kit	WE25X10003	WE25X10003

Dryer Dimensions (in inches)



Dryer Exhausting Information— Use Metal Duct Only

	Number of 90° Turns	Best Performance	
		A	B
Front Loading Dryers	0	60 ft.	48 ft.
	1	52 ft.	40 ft.
	2	44 ft.	32 ft.
	3	32 ft.	24 ft.
Front Loading Dryers	0	30 ft.	18 ft.
	1	22 ft.	14 ft.
	2	14 ft.	10 ft.
	3	14 ft.	10 ft.

Dryer Specifications

Exhaust options:
Electric: 4-way via rear, right, left and bottom.
Gas: For 5.7 cu. ft. dryers, when viewed from the front of the unit, exhaust 3-way via rear, right and bottom. Dryer is shipped exhausted to the rear.
 Exhaust Conversion Kit:
 Order Pub. No. 14-A018.

Electrical Requirements:
 240V, 3 Wire, 5600W, 24A, 60 Hz
 208V, 3 wire, 4400W, 22A, 60 Hz

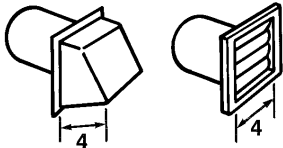
Gas Requirements: 120V, 60 Hz, 6 A
 See Pub. No. 49-9963-2 for installation information.

General Information for Dryer Exhausting

Minimizing the length of ductwork and the number of turns in an exhaust system minimizes the potential for lint to settle and accumulate in the exhaust duct and in the interior cabinet of the dryer. Refer to your specific dryer installation instructions for recommended duct length.

1. Wall Caps and Other Terminations

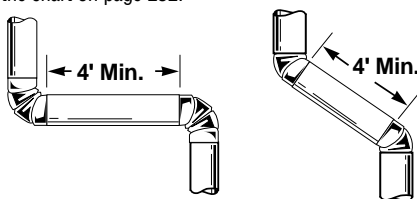
All exhaust systems must be terminated in a manner that will prevent backdrafts from outside as well as prevent birds or other wildlife from building nests or taking refuge in the ductwork. The wall cap should present minimal resistance to the flow of exhaust air and should require little maintenance to prevent clogging. **The preferred termination is either a dampered wall cap with a 4" wide opening or a movable louvered wall cap.** A 2-1/2" wall cap restricts airflow and increases drying time. It must be installed with the opening down, and installed at a minimum of 12" above ground level or any other obstruction. Special consideration should be given in areas where heavy snow drifts are likely to occur to ensure the wall cap does not become obstructed. Other types of terminations, such as roof vents or louvered plenum chambers, are acceptable providing **they are equivalent to the 4" dampered wall cap.** They must contain at least 14 square inches of ventilation area and afford adequate protection against backdrafts.



Exhaust ducts must not contain screens or other filtering devices which may become clogged with lint. The dryer exhaust must not terminate in an ordinary chimney, under an enclosed house floor or crawl space, or into an attic, since any accumulated lint could create a fire hazard and the moisture could cause damage. **Never terminate the exhaust into a common duct or plenum with a kitchen hood exhaust since the combination of grease and lint could create a fire hazard.**

2. Separation of Turns in the Ductwork

All turns in the exhaust system, external to the dryer itself, including the distance from the last turn to the dampered wall cap, should be separated by at least 4' of straight metal duct. This will reduce the added resistance which results from rapid changes in airflow direction inside the ducting. If two turns must be closer than 4', deduct 10' from the maximum lengths shown in the chart on page 232.



3. Treatment of Turns Other Than 90°

One turn of 45° or less may be ignored. Two such turns should be treated as one 90°. Each turn over 45° should be treated as one 90°. Refer to specific dryer installation for maximum duct lengths and for allowable number of 90° bends. In determining the number of turns for an exhaust system, one 90° turn must be added for the bend made inside the cabinet whenever the dryer is exhausted through the right, left or bottom. **NOTE:** Some dryers are limited to only rear exhausting. Consult the installation instruction for the type of dryer being used.

4. Use Of Flexible Metal Ducting

We recommend the use of 4" diameter rigid metal ducting for permanent and transition venting. Permanent venting is from the wall, floor or ceiling to the outside. Transition venting is from the dryer to the wall, floor or ceiling. If rigid all metal ducting cannot be used then flexible all metal ducting may be used, if the following precautions are adhered to:

- Use only 4" diameter all metal ducting.
- It must not be allowed to collapse, kink or sag when the dryer is in its final installed position. Required turns in the exhaust system should be made with rigid elbows.
- Use the shortest duct length possible. Don't exceed the maximum allowable duct length specified in the installation instructions.
- Stretch the duct to its maximum length.
- To reduce the risk of fire, **NEVER USE PLASTIC OR OTHER COMBUSTIBLE DUCTWORK.**

NOTE: In special installations where it is impossible to use rigid all metal or flexible all metal duct for transition venting, UL Listed clothes dryer transition duct may be used. The following additional precautions should be followed if this type of ducting is used.

- Never use transition duct beyond the wall, ceiling or floor inside the dryer.
- Avoid resting the duct on sharp objects.

Please refer to the installation instructions for additional exhaust information.

5. Sealing Of Joints

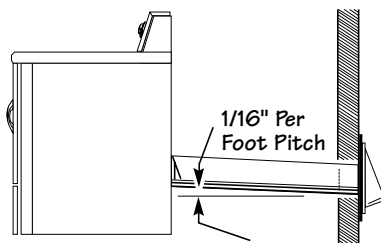
All duct joints should avoid leaks. Duct joints should be made air and moisture tight by wrapping the overlapped joints with duct tape. The male ends of each section of duct should point away from the dryer.

Do not assemble the ductwork with screws or other fasteners that extend into the duct. They will serve as a collection point for lint.

6. Water Condensation

Condensation in a dryer exhaust system is caused by the moisture in the exhausted air contacting the cold inner surfaces of the ductwork. Condensation, which forms at the beginning of the drying cycle, will dissipate quickly after the ductwork becomes heated. If the ductwork passes through an area which keeps it cool throughout the drying cycle, considerable condensation within the duct can be expected. This can result in rapid accumulation of lint in the ductwork.

Ductwork which runs through an unheated area or is situated adjacent to an air conditioning duct should be insulated to avoid such condensation problems. Joints should be tight to avoid leaks and, where feasible, the duct should be dropped 1/16" per foot toward the termination.



7. Accessibility For Cleaning

Since it may be necessary from time to time to remove lint from the inside of the ductwork, it is important that the exhaust system be installed with a provision for periodic inspection and cleaning. Some provision should be made for access to turns and straight runs of duct installed in an enclosed area, such as above plastered ceilings. Special consideration should be given to the amount of maintenance required for roof caps on vertical installations, since the user cannot be expected to make frequent inspections or cleanings.

Single Family-Type Dwellings

For more detailed information, refer to the installation instructions for the specific dryer model selected.

Mobile or Manufactured Home Installation

Gas Dryer installation must conform with local Gas Codes and with CGA B149.1 or B149.2 (Installation code for Gas Burning Appliances and Equipment).

All Dryer Installations must conform to Manufactured Home Construction and Safety Standard, Title 24 CFR, Part 32-80. The dryer **MUST** be exhausted to the outdoors with the termination securely fastened to the mobile home structure. The exhaust **MUST NOT** be directed underneath the mobile home.

Multi-Unit Dryer Installation

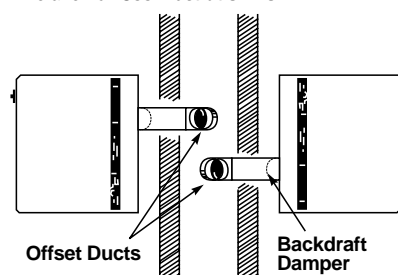
Multi-Unit Systems

Accurate installation of a good dryer exhaust system in multi-family construction is especially important. The restrictions applied by this type of construction should cause the planner to be more concerned than in single-family construction.

When the length of the exhaust duct or the number of turns in the system exceed the maximum limitations recommended by the dryer manufacturer, the planner must seek an alternate solution. One option is to install a common ducting system that is capable of handling the discharge of several dryers at various points along the system.

The scope of the subject is far too broad to be extensively described within this publication. Sufficient information is presented, however, to make the planner aware of the importance of special attention to the subject. Two types of common ducts are generally used: (1) the common dryer exhaust stack with an auxiliary roof fan and (2) the chimney exhaust.

Stack and chimney designs and exhaust fans must meet all local code requirements. It is suggested that professional engineering counsel should be sought in these matters. Dryers should be installed as close to the common duct as possible. Dryers discharges must be offset to prevent one unit from exhausting directly into another. **See Illustration No. 1.**



Plan View
Illustration 1

See page 158 for warranty information.

234



Common Fan Assisted Dryer Exhaust Stack (Auxiliary Roof Fan Systems)

The stack outlet (See Illustration No. 2) must be fitted to a continuous duty exhaust fan rated to handle the stack air volume for the total number of dryers on the system. Periodic cleaning of the exhaust fan is necessary to maintain efficient operation.

The bottom of the stack should contain a barometric damper to prevent drawing air through the dryers not in use, and a lint cleanout access door. The damper should be adjusted to just open with all dryers on and the continuous duty exhaust fan operating.

The weighted damper in the individual dryer ducts should be adjusted so that it will just close with all dryers off and the continuous duty exhaust fan operating. The fan should be running at all times. The duct system from each individual dryer must meet the turn and length requirements as noted on page 227.

The required stack diameter for air volumes of 200 CFM to 3,000 CFM can be determined from Illustration No. 4 and calculations on the chart to the bottom right.

Chimney Exhaust System

The chimney must be fire resistant and large enough to accommodate the volume of air exhausting from the dryers. Consideration must be made for lint buildup, excessive chimney pressures, backdrafts and other technical factors which will influence the performance and the safety of the system. A lint clean-out access door should be included at the bottom of the chimney. Each dryer duct must have a 4" diameter backdraft damper, adjusted so that it will just close with the dryer inoperative. This will prevent the exhaust and lint of one dryer from going into another dryer and its room. The duct system for each individual dryer must meet the turn and length requirements as noted on page 232.

Use the specs for a 2-1/2" exhaust hood for proper dryer performance. Include the 90° elbow and all ducting in the chimney in your calculations. The 22" (minimum) of vertical ducting in the chimney reduces back pressure and is required for proper dryer performance. See Illustration No. 3.

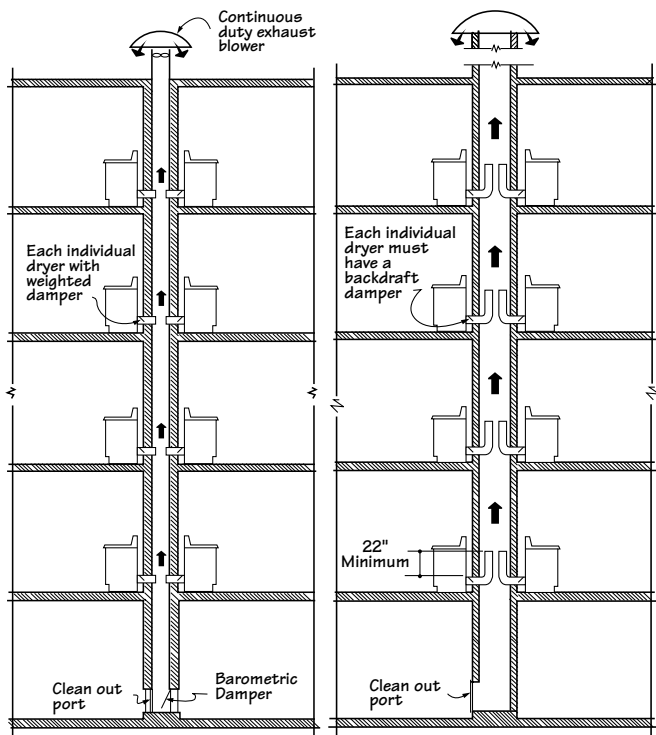


Illustration 2

Illustration 3

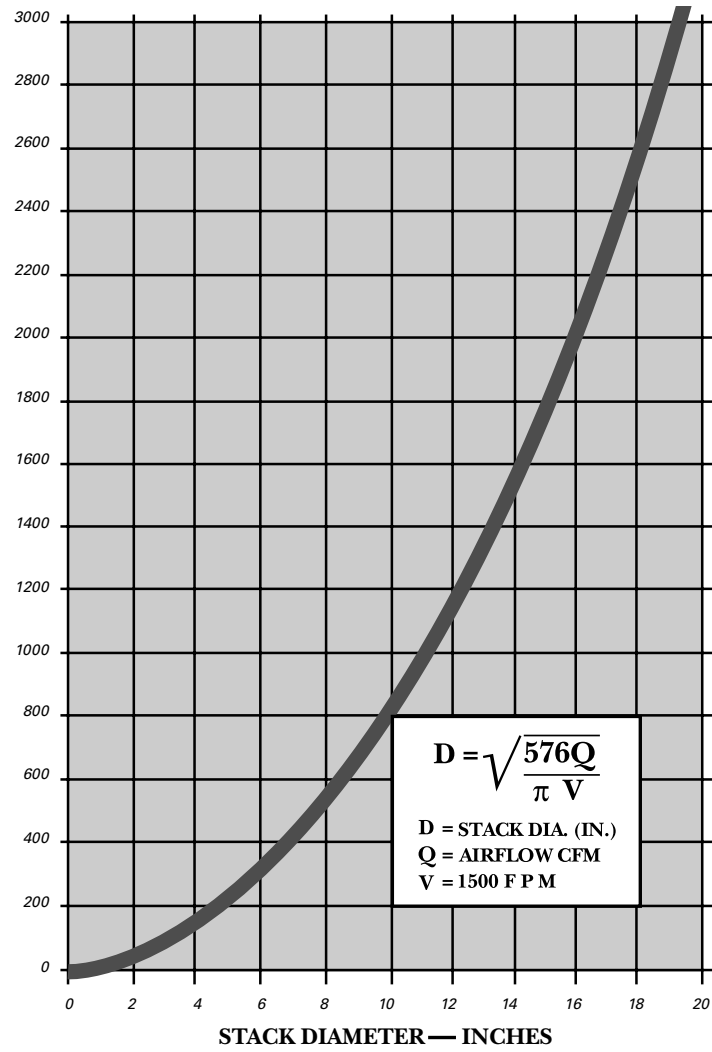


Illustration 4

How To Use Illustration No. 4

Airflow value: 150 CFM.
Assume installation contains eight (8) dryers operating at the same time. Stack air volume (Q) = 150 x 8 = 1200 CFM (Q) is air volume that stack must be capable of handling in the event all dryers are running at one time. Therefore, the stack diameter must be:

$$D = \sqrt{\frac{576Q}{\pi V}} = \sqrt{\frac{576 \times 1200}{\pi \times 1500}} = \sqrt{147} \approx 12 \text{ inches}$$

or read directly from Illustration No. 4 by placing 1200 on the vertical scale and reading 12 on the horizontal scale. The stack diameter should be 12 inches to handle the required volume of air and the continuous duty exhaust blower should be rated to handle this volume while maintaining an air velocity of 1500 Ft./Minute.



Spacemaker® Portable/Stationary Models

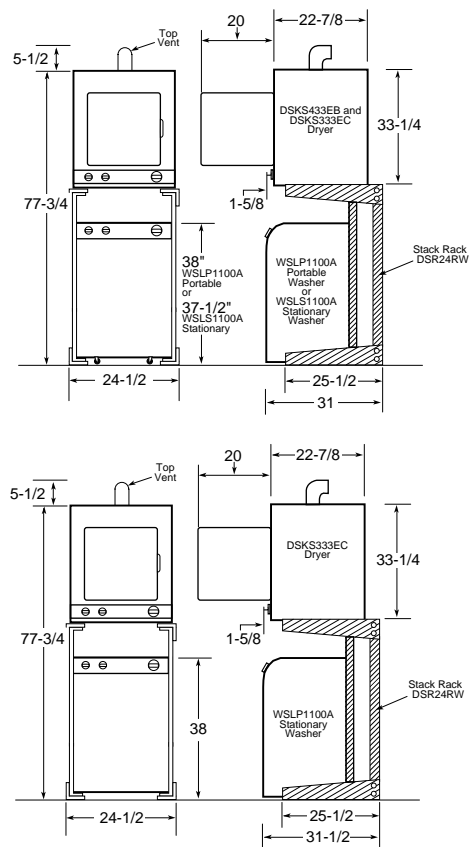
Individual Spacemaker Washers	GE		
	Stationary WSL1100A	Portable WSLP1100A	Stationary WSKS2060W
Capacity			
Capacity	Extra-Large	Extra-Large	Compact
Features			
Wash/spin speed combinations	1	1	2
Wash/rinse temperatures	4	4	3
Water levels	4	4	4
Number of cycles	10	10	6
Cycle countdown	Digital	Digital	
Regular			
Heavy Soil	●	●	●
Medium Soil	●	●	●
Perm. Press			
Medium Soil	●	●	●
Light Soil	●	●	●
Delicates	●	●	●
Spin only	●	●	●
One-touch load sensing	●	●	●
Automatic cool down	●	●	●
Bleach dispenser	●	●	●
Fabric softener dispenser	●	●	●
Automatic detergent dispenser	●	●	●
Lint filter	2 Removable	2 Removable	●
Quiet pump	●	●	●
Washer lid type	Bifold	Bifold	Solid
Easy-roll rollers		●	
Unicouple connector		●	
Basket material	Stainless Steel	Stainless Steel	PermaTuf® II
Appearance			
Colors available*	WW	WW, WH	White with granite-look top
Weights & Dimensions			
Circuit requirements	120V, 60 Hertz, 15 or 20 Amps		
Dimensions (HxWxD in inches)**	37-1/21 x 23-5/8 x 26	38 x 23-5/8 x 26	34-1/4 x 22-1/4 x 24
Approx. shipping wt. (lbs.)	114	116	109

* Colors available: WW = White on white, WH = White with black controls.
 ** Depth measured from front of control knob.
 † With leveling legs extended.

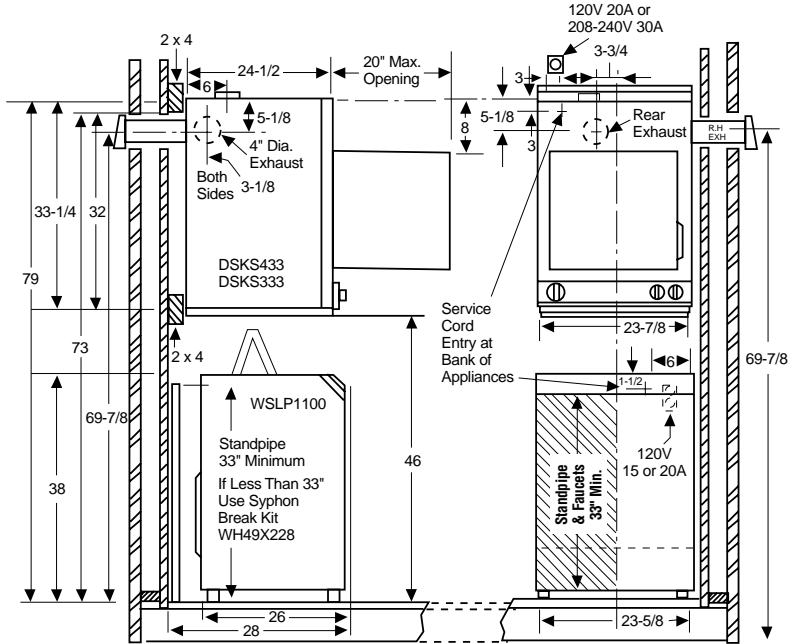
Individual Spacemaker Dryers	GE	
	DSKS433EB	DSKP333EC* DSKS333EC
Capacity		
Capacity (cu. ft.)	3.6	3.6
Features		
Dry control	Automatic	Automatic
Heat selections	4	3 (timer)
Number of dry cycles	3	3
Auto. Perm. Press & Delicate	●	
Auto. Reg.	●	●
Timed Regular (min.)	140	150
Air Fluff (min.)	(Heat Selection)	30
Separate start switch	●	●
Control location	Mid-Band	Top Mid-Band
Lint filter	Upfront	Upfront
Appearance		
Colors available**	WW	WW, WH
Weight & Dimensions		
Exhaust options***	4-Way	4 way – Rear, Bottom, Left, Right 4 way – Rear, Top, Left, Right
Circuit requirements	240/208V†, 60 Hertz, 30 Amp	120V, 60 Hertz, 15 Amp
Power cord	No Cord	6 feet
Dimensions (HxWxD in inches)	33-1/4 x 23-7/8 x 24-1/2	33-1/4 x 23-7/8 x 24-1/2
Wall-mount kit (available at additional cost)	WMK-35	WMK-35
Approx. shipping wt. (lbs.)	108	108

* DSKP333EC dryer comes equipped with casters and stationary leveling legs.
 ** Colors available: WW = White on white, WH = White with black controls.
 *** DSKS433EB and DSKP333EC are shipped exhausted through the top.
 † Rear-mounted outlet on DSKS433EB (120V, 60 Hertz, 10 Amp) DSKS433EB and DSKS333EC approved for use with washer/dryer stack rack DSR24RW.
Circuit Requirements: An individual, properly grounded branch circuit of the proper voltage and frequency as specified on the rating plate, with no other appliances or fixtures in circuit, is required.

Top Vent Installation Dimensions (in inches)



Wall-Mount Installation Dimensions (in inches)



Unitized GE Spacemaker Washers and Dryers

	GE			
	Washer		Dryer	
Electric	WSM2700W		WSM2420T	
Gas	WSM2780W		WSM2480T	
Capacity	X-Large	X-Large	Compact	Compact
Wash/spin speed combinations	1		2	
Wash/rinse temperatures	3		3	
Water levels	3		3	
Number of wash cycles	3		3	
Regular	●		●	
Perm. Press	●		●	
Delicates	●		●	
Unbalanced load control	●		●	
Lint filter	●		●	

Dryer			
Features			
Automatic dry control		●	●
Number of dry cycles		4	4
Auto Regular		●	●
Auto Perm Press			●
Delicates		●	
Timed		●	●
Air Fluff		●	●
Control location		Mid-Band	Mid-Band
Exhaust options		Rear	Rear/Sides
Appearance			
Colors available*	WW, CC	WW, CC	WW, CC
Weight & Dimensions			
Dimensions (HxWxD in inches)	75-1/2 x 27 x 30-13/16**	71-3/4 x 23-7/8 x 27-1/4**	
Approx. shipping wt. (lbs.)	300	238	

*WW = White on white, CC = Bisque on bisque
 **Depth dimension assumes water hook-up is recessed in the wall.
Note: The third prong on the WSM2780W plug configuration is a flat spade type rather than a typical round probe. It requires a matching wall outlet.

Electrical Requirements for Unitized Spacemaker® Dryers

WSM2700W: Electric Dryer—This appliance should be connected to an individual, properly grounded branch circuit with 120/240V or 120/208V single-phase 60 Hz electrical service and should be protected by 30-amp time-delay fuses or circuit breakers. This appliance is manufactured with neutral connected to the frame. Power cord should be purchased separately.

WSM2420T: Electric Dryer—This appliance should be connected to an individual, properly grounded branch circuit with 120/240V single-phase 60Hz electrical service and should be protected by 30-amp time-delay fuses or circuit breakers. This appliance is manufactured with the neutral connected to the frame. Power cord should be purchased separately.

NOTE: THESE APPLIANCES ARE NOT APPROVED FOR 120-VOLT OPERATION.

WSM2480T: Gas Dryer—This appliance should be connected to an individual, properly grounded branch circuit with a three-prong grounding-type receptacle and 120-volt single-phase 60 Hz electrical service and should be protected by 15- or 20-amp time-delay fuses or circuit breakers. This appliance is equipped with a 6-foot long flexible U.L. listed 20-amp power cord to match a 15-amp receptacle.

Gas Rated input 10,500 BTU/HR. Factory equipped for natural gas. Tested for LP gas.

WSM2780W: Gas Dryer—This appliance should be connected to an individual branch circuit with 120-volt single-phase 60 Hz electrical service and should be protected by 20-amp time-delay fuses or circuit breakers. This appliance is equipped with a 4-foot long flexible U.L. listed 20-amp power cord to match a 20-amp receptacle.

Gas Rated input 20,000 BTU/HR. Factory equipped for natural gas.

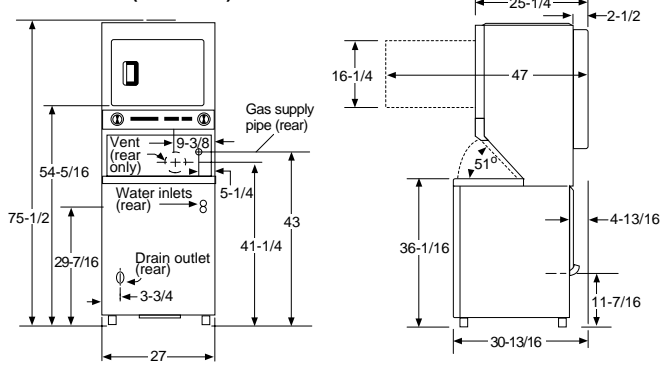
LP gas supply requires a conversion kit.
 Kits: WSM2780W—WE25X206
 WSM2480T—WE25X0219

Have a qualified gas technician install a conversion kit before use.

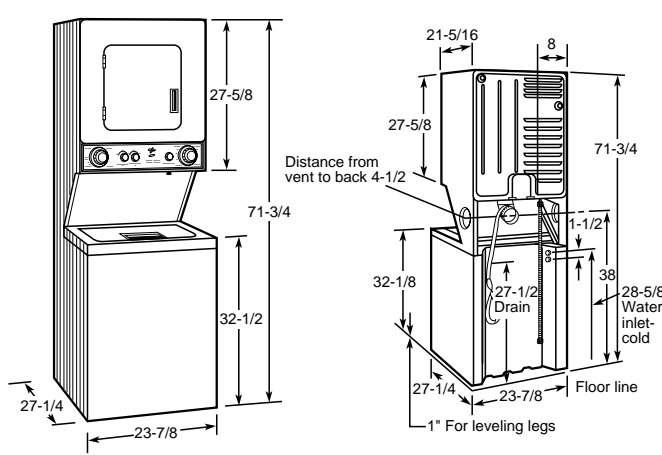
Exhaust Information
 See "Dryer Exhausting Information" on page 232.

For complete information see installation instructions packed with the product.

Models WSM2700W and WSM2780W Dimensions (in inches)



Models WSM2420T and WSM2480T Dimensions (in inches)

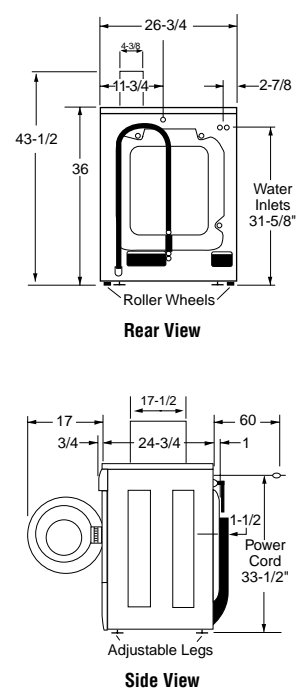


Commercial Front-Loading Washer

	GE	
	WCCH404VWW	
Capacity	16 pound (2.7—3.1 per IPC)	
Features	ENERGY STAR® Rated	
Efficiency	Reverse wash action	
Total water usage	Approx. 25 gallons maximum	
Wash/rinse temp.	3/1	
Automatic water levels	●	
Wash program	Standard wash + 3 rinses (26 min. excl. fill times)	
Wash options	●	
Color Cottons	●	
Permanent Press	●	
White Cottons	●	
Delicates	●	
Extraction	850rpm/210 G's	
Automatic dispensing opt.	Detergent, Liquid Bleach, Fabric Softener	
Suspension	Soft Mount	
Drain pump	13 gpm @ 36 in head	
Leveling system	Front Leveling Legs/Rear Rollers	
Wash basket	Stainless Steel	
Door style	Glass	
Appearance		
Colors available	White	
Control panel	Brushed alum./black/burgundy	
Weights & Dimensions		
Dimensions (HxWxD inches)	36 x 26-3/4 x 24-3/4 (without coin box)	
Approx. shipping weight (lbs.)	217	
Power Ratings		
Electrical requirements	120v, 60hz, 12.0 amps	

Note: Coin Box Requires assembly to washer, per enclosed Pub. No. 31-15484. Includes accumulator. Coin slides, drops, or smart card accessory must be ordered from supplier separately.

Dimensions (in inches)

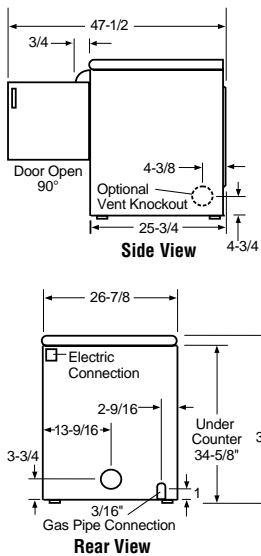


See pages 158 and 159 for warranty information.

Commercial Front-Loading Matching Dryer

GE	
DCCH43EA/GA	
Capacity	
Capacity (cu. ft.)	Extra-Large (5.7)
Features	
Heat selections	3
Dry cycles	3
High Heat	●
Medium Heat	●
Low Heat	●
Lockable lint filter	●
Door swing	Reversible
Drum finish	White DuraDrum™
Front serviceable	●
Appearance	
Colors available	White
Control panel	Brushed alum./Black/Burgundy
Weights & Dimensions	
Approx. shipping weight (lbs.)	Electric 116 Gas 116

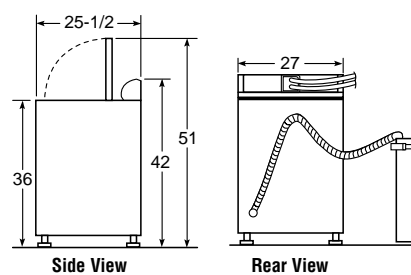
Dryer Dimensions (in inches)



Commercial Smart Card Washers and Dryers

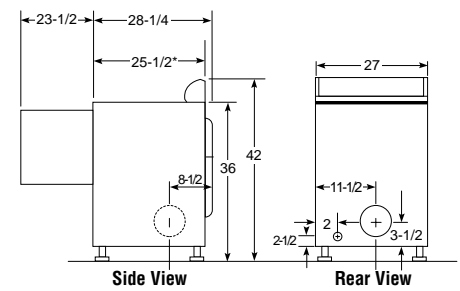
	GE Washers	
	WNCJ2050AWC	WNCK2050AWC
Capacity		
Capacity (cu. ft.)	Extra-Large (2.7)	Extra-Large (2.7)
Features		
Wash/spin speed comb.	3	3
Wash/rinse temperatures	3	3
Water levels	Adjustable	Adjustable
Digital cycle countdown	●	●
Number of wash cycles	5	5
White cottons	●	●
Colored cottons	●	●
Bright colors	●	●
Permanent Press	●	●
Delicate	●	●
Quiet performance	●	●
Lid instructions	●	●
LED indicators	●	●
Smart Card Features		
Reader	BridgePoint	ESD
Alphanumeric display	●	●
Control card	●	●
Appearance		
Colors available	White	White
Control panel	Brushed alum./Black/Burgundy	Brushed alum./Black/Burgundy
Weights & Dimensions		
Approx. shipping wt. (lbs.)	170	170

Dimensions (in inches)



	GE Dryers	
	DNCJ440EA/GA	DNCK440EA/GA
Capacity		
Capacity (cu. ft.)	Super (7.0)	Super (7.0)
Features		
Heat selections	4	4
Dry cycles	4	4
High Heat	●	●
Medium Heat	●	●
Low Heat	●	●
Cool down	w/High Heat	w/High Heat
Digital cycle countdown	●	●
Quiet performance	●	●
Lockable lint filter	●	●
LED indicators	●	●
Door swing	Reversible	Reversible
Drum finish	White DuraDrum	White DuraDrum
Smart Card Features		
Reader	BridgePoint	ESD
Alphanumeric display	●	●
Control card	●	●
Appearance		
Colors available	White	White
Control panel	Brushed alum./Black/Burgundy	Brushed alum./Black/Burgundy
Weights & Dimensions		
Approx. shipping weight (lbs.)	Electric 130 Gas 125	Electric 130 Gas 125

Dimensions (in inches)



Stackable Commercial Dryers

	GE Dryers	
	Electric	Gas
Capacity		
Capacity (cu. ft.)	Large (5.4)	
Features		
Automatic Dry Control	●	
Upfront lint filter	●	
Heat selections	3	
Number of cycles	3	
Cottons	●	
Permanent Press	●	
Delicates/Synthetic/Knits	●	
100% front serviceable	●	
Reverse-A-Door	●	
Heavy-duty 1/4 HP motor	●	
Appearance		
Colors available	White	
Weight & Dimensions		
Approx. shipping weight (lbs.)	Electric 275	Gas 275
Stacked (HxWxD in inches)	77 x 27 x 27	

See page 159 for warranty information.

238

Exhaust Options:

Electric: 3-way venting: left, right, or rear. Maximum recommended exhaust duct length is 25 feet of 4" rigid ducting with two 90° elbows and 4" dampered wall cap.

Gas: 2-way venting: left, or rear. Maximum recommended exhaust duct length is 15 feet of 4" rigid ducting with two 90° elbows and a dampered wall cap.

Dryer is shipped with exhaust to the rear. (See Installation Instructions.)

Circuit Requirements:

Electric: An individual branch circuit fused for 30 amps is required for each dryer.

Electric Dryer Rating:

240V, 60Hz, 5600W, 24A
 208V, 60Hz, 4400W, 22A
 A special 208-volt heater, part number WE11X0101 is available to reduce drying time in 208-volt installations.

Gas: An individual branch circuit, properly grounded for a 3-prong outlet, fused for 15- or 20-amp is required for each dryer.

Gas Dryer Rating:

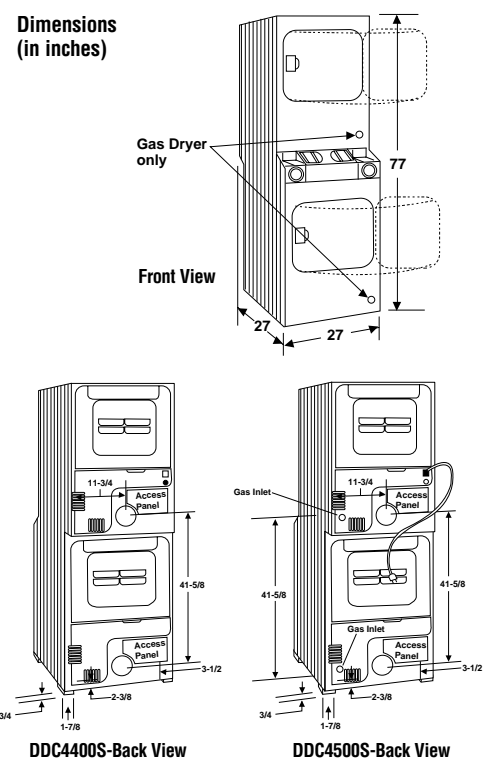
115V, 60Hz
Gas (BTU/Hr): Maintains thermostatically controlled heat flow to dry clothes gently. Longer cool down period on Permanent Press cycle helps prevent heat-set wrinkles. Separate thermostat controls lower temperatures for Knit cycle drying. Factory equipped for natural gas. Tested for LP gas. A conversion kit is required for LP gas. Check installation instructions for correct kit number. Have a qualified technician install the conversion kit.

See Pub. No. 31-1723 for DDC4400S and Pub. No. 31-1724 for DDC4500S installation instructions.

Note: Dimensions and specifications shown here are correct at the time this sheet was printed. Before proceeding with construction or rough-in, check installation instructions that came with your unit. Specifications, dimensions and design are subject to change without notice.

Note: Wall anchor chain provided for gas models only.

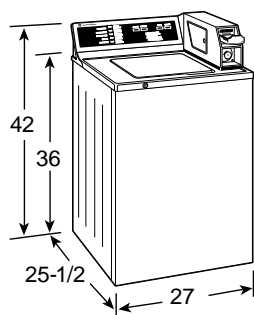
Dimensions (in inches)



Commercial Washers and Dryers

	GE Washers		
	WCCD2050B	WLCD2050B	WCCB1030B
Capacity	Extra-Large (2.7)		
Capacity (cu. ft.)	Extra-Large (2.7)	Extra-Large (2.7)	Extra-Large (2.7)
Features			
LED cycle countdown	●	Long 31.5 min.	
Wash/spin speed combinations	2	2	1
Wash/rinse temperatures	3	3	3
Water levels	3 adjustable	3 adjustable	3 adjustable
GentlePower™ agitator	●	●	●
Self-cleaning filter	●	●	●
PermaTuf™ II Basket	●	●	●
Number of wash cycles	5	5	3
Cottons White	●	●	●
Cottons Colored	●	●	●
Permanent Press	●	●	●
Delicates	●	●	●
Bright Colors	●	●	●
Color lid instructions	●	●	●
100% front serviceable	●	●	●
1/2 HP motor	●	●	●
Appearance			
Colors available*	WH, CC	WH, CC	WH, CC
Weight & Dimensions			
Approx. shipping weight (lbs.)	174	174	174
Dimensions (HxWxD in inches)	42 x 27 x 25-1/2	42 x 27 x 25-1/2	42 x 27 x 25-1/2

Dimensions (in inches)



See Pub. No. 31-15400 for installation instructions.

Note: Coin slide or coin drop, coin vault, and locks for cover and meter case access door are not provided with washer.

Energy Saving:

All wash cycles include energy-saving cold water rinse. Connector in back splash can be joined for warm rinse. Total cycle time—18-1/2 minutes plus fill time. Actual wash time is 7 minutes with a final spin speed of approximately 630 RPM.

Circuit Requirement:

An individual, properly grounded 15- or 20-amp branch circuit is required.

Electrical Rating: 115V, 60Hz

Low Water Consumption

Cycle Selection	Total
High Water Level	35 gallons
Medium Water Level	32 gallons
Low Water Level	29 gallons



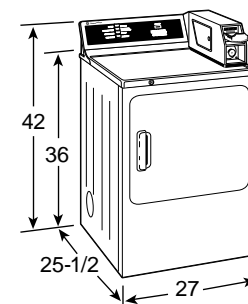
GEAppliances.com

	GE Dryers		
	Electric	DCB330EB	DCD330EB
	Gas	DCB330GB	DCD330GB
	Capacity	Extra-Large (5.7)	
Capacity (cu. ft.)	Extra-Large (5.7)	Extra-Large (5.7)	Extra-Large (5.7)
Features			
LED cycle countdown		●	●
Automatic Dry Control	●	●	●
Upfront lint filter	●	●	●
Reverse-A-Door	●	●	●
Heat selections	3	3	3
Number of cycles	3	3	3
Cottons	●	●	●
Permanent Press	●	●	●
Synthetic Knits	●	●	●
100% front serviceable	●	●	●
Heavy-duty 1/4 HP motor	●	●	●
Appearance			
Colors available	WH, CC	WH, CC	WH, CC
Weights & Dimensions			
Approx. shipping weight (lbs.)	Electric 140	Gas 155	140
Dimensions (HxWxD in inches)	42 x 27 x 25-1/2	42 x 27 x 25-1/2	42 x 27 x 25-1/2

*WH = White, CC = Bisque on bisque

GE electric dryers are available with long-ducting capability.

Dimensions (in inches)



Exhaust Options: Electric:

4-way venting: left, right, bottom and rear. Maximum recommended exhaust duct length is 45 feet of 4" rigid ducting with two 90° elbows and 4" dampered wall cap.

Gas: 3-way venting: left, bottom and rear. Maximum recommended exhaust duct length is 15 feet of 4" rigid ducting with two 90° elbows and a dampered wall cap.

Dryer is shipped with exhaust to the rear.

(See Installation Instructions.)

See Pub. No. 31-1746 for installation instructions.

Circuit Requirements:

Electric An individual branch circuit fused for 30-amps is required for each dryer.

Electric Dryer Rating:

240V, 60Hz, 5600W, 24A
208V, 60Hz, 4400W, 22A

Gas: An individual branch circuit fused for 15- or 20-amp is required for each dryer.

Gas Dryer Rating: 115V, 60Hz

Gas (BTU/Hr): 20,000. Factory equipped for natural gas. Tested for LP gas. A conversion kit is required for LP gas. Check installation instructions for correct kit number. Have a qualified technician install the conversion kit. Equipped with energy saving Glo-Bar ignition.

Dryer Note: Dryer wall outlet must be located within 36" of service cord entry and accessible when dryer is mounted in position.

Note: Dimensions and specifications shown here are correct at the time this sheet was printed. Before proceeding with construction or rough-in, check installation instructions that came with your unit. Specifications, dimensions and design are subject to change without notice.

Non-Coin-Op Commercial Washers and Dryers

	GE Washer
	WNCD2050A
Capacity	Super Plus (3.2)
Capacity (cu. ft.)	Super Plus (3.2)
Features	
Motor	2-speed
Wash/spin speed combinations	3
Wash/rinse temperatures	3
Water levels	4
Digital cycle countdown	●
Number of wash cycles	5
White cottons	●
Colored cottons	●
Bright colors	●
Permanent Press	●
Delicate	●
Spin only	●
Bleach dispenser	●
Fabric softener dispenser	●
Quiet performance	Deluxe Quiet Plus
Lid instructions	●
LED indicators	●
Appearance	
Colors available	White
Weights & Dimensions	
Approx. shipping weight (lbs.)	160

	GE Dryer
	DNCD450EA/GA
Capacity	Super (7.0)
Capacity (cu. ft.)	Super (7.0)
Features	
Dry cycles	5
Cottons/high heat	●
Mixed loads/ high heat	●
Perm press/ medium heat	●
Knits/low heat	●
Delicates/extra low heat	●
Temperatures	4
Air dry	●
Digital cycle countdown	●
Quiet performance	Hush
Lockable lint filter	●
LED indicators	●
Door swing	Reversible
Drum lamp	●
Drum material	White DuraDrum
Appearance	
Colors available	White
Weights & Dimensions	
Approx. shipping weight (lbs.)	125

See page 159 for warranty information.

239



Refrigeration

Cooking Products

Microwave Ovens

Dishwashers

Clothes Care

Water Systems

Air Conditioning

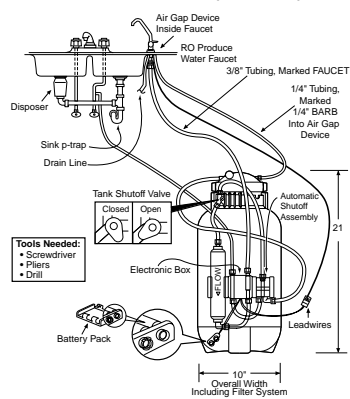
SmartWater™ Reverse Osmosis Filtration Systems

	GE Profile™			GE®
	PNRV18ZWW PNRV18ZCC PNRV18ZBB	PNRV18ZWH PNRV18ZBL	PNRV12ZBL	GXRV10ABL
Capacity				
Storage tank capacity (gals.)	1.9	1.9	2.1	1.3
Features				
SmartWater faucet	Electronic Monitor	Electronic Monitor	Electronic Monitor	Short-Reach
Faucet color	White on white Bisque on bisque Black on black	Chrome with white Chrome with black	Chrome with black	Chrome with black
Output per day (gals.) – production rate (gpd) as tested by WQA Standard S-300	18*	18*	12	10
Process water used (per gal.)	4	4	4	4
Working pressure (psi)	40 min. – 125 max.	40 min. – 125 max.	40 min. – 125 max.	40 min. – 125 max.
Maximum TDS removal (ppm)	2000	2000	2000	2000
Percent TDS removal** (ppm)	75-92	75-92	75-92	75-92
Percent cysts reduction	99.95 effective	99.95 effective	99.95 effective	99.95 effective
Maximum hardness	10 grains	10 grains	10 grains	10 grains
Feed water pH limits	4-10	4-10	4-10	4-10
Operation and storage water temperature	40-100° F	40-100° F	40-100° F	40-100° F
Auto shut-off	●	●	●	●
Filters & Membrane				
RO membrane	FX18M Thin Film Polyamid (TFP)	FX18M Thin Film Polyamid (TFP)	FX12M Thin Film Polyamid (TFP)	FX12M Thin Film Polyamid (TFP)
Pre-filter (Sediment)	FX18P-Act. Carbon Block	FX18P-Act. Carbon Block	FX12P-Carbon Composite	FX12P-Carbon Block
Post-filter (Taste/Odor)	FX18P-Gran. Act. Carbon	FX18P-Gran. Act. Carbon	FX12P-Carbon Composite	FX12P-Carbon Block
RO filtration indicator	Electronic	Electronic	Electronic	
Filter change indicator	Electronic	Electronic	Electronic	
Under counter installation (kit included)	●	●	●	●
Optional basement installation (hardware not included)	●	●	●	●
Appearance				
Style	All-In-One	All-In-One	Bracket	Bracket
Unit color	Grey	Grey	Grey	White
Filter housing	Opaque	Opaque	Opaque	Opaque
Weights & Dimensions				
Approximate shipping weight (lbs.)	16	16	23	20
Overall W x H x D (in.)	10 x 21 x 10	10 x 21 x 10	17 x 16 x 5-3/4 (unit) 11 x 17 x 11 (tank)	17 x 16 x 5-3/4 (unit) 9 x 15 x 9 (tank)
Power/Ratings				
Faucet monitor power requirement	4 AA batteries (included)	4 AA batteries (included)	4 AA batteries (included)	
Accessories (available at additional cost)				
Supplemental tank	RVTNK1	RVTNK1	RVTNK1	RVTNK1
Storage cabinet	RV18CBNT	RV18CBNT		
Icemaker connection kit	RVKIT	RVKIT	RVKIT	RVKIT

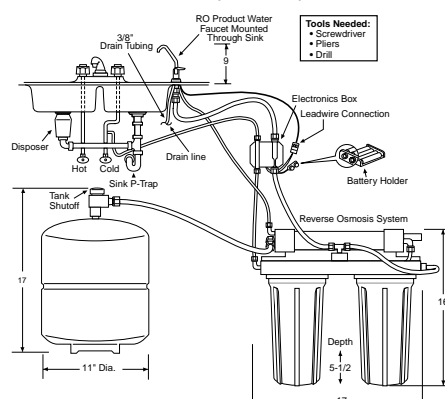
*Output according to ANSI/NSF Standard 58 as tested by Spectrum Labs, Inc. is 14 gals. per day. Feed water over 10 grains of hardness may affect performance of the filtration system.

**Feed water = 50 psig, 77°F, pH = 7.5 ± 5 and 750 ppm TDS as sodium chloride. Product water produced, amount of waste and percent rejection will vary with changes in pressure, temperature and total dissolved solids. Feed water over 10 grains of hardness may affect performance of the filtration system.

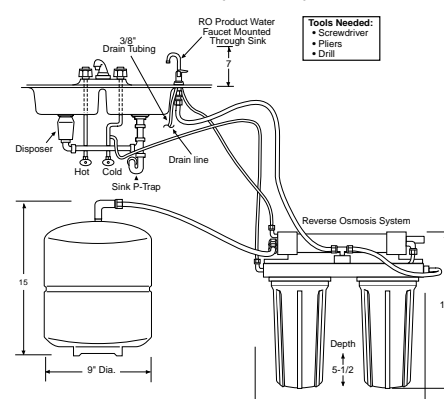
Models PNRV18Z Installation Information (in inches)



Model PNRV12ZBL Installation Information (in inches)



Model GXRV10ABL Installation Information (in inches)



Installation and Parts Information

Note: R.O. System can be installed up to 30 feet from point-of-use/faucet.

Note: Can be installed under counter (as shown), in basement, or other convenient location. Before installing, see installation instructions packed with product for complete details.

Replacement Membranes, Pre- and Post-Filters

Call SmartWater Services, toll-free, 800.952.5039 for convenient ordering.

Water Test Kit

To order a water test kit, call 800.626.2000.

See page 159 for warranty information.

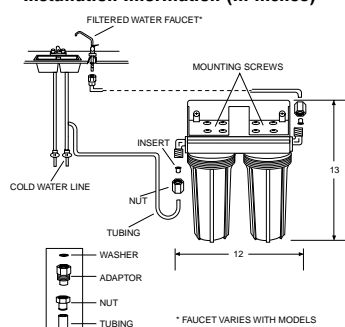
240

SmartWater Dual and Single Stage Water Filtration Systems

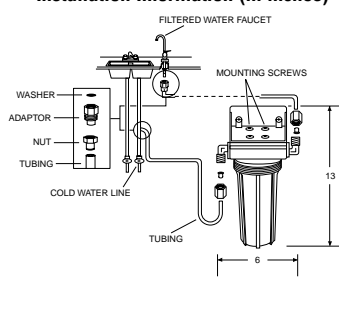
Features	GE		
	Dual Stage		Single Stage
	GNSV30CWW GNSV30CCC GNSV25CBL	GNSL05CBL	GN1S15CBL
SmartWater faucet	Electronic Monitor	Electronic Monitor	Short-reach
Faucet color	White on white Bisque on bisque Chrome w/black	Chrome w/black	Chrome w/black
Feed water pressure (psi)	40 min.-125 max.	40 min.-125 max.	40 min.-125 max.
Feed water temperature	40-100°F	40-100°F	40-100°F
Filtered water flow (gpm)	0.6	0.6	0.6
Filter I	Filter Set-FXSVC	Filter Set-FXSVC	FXJLC
Filter cartridge	Block Act. Carbon	Polyspun Depth Filter	Block Act. Carbon
Filter II	Filter set-FXSVC (VOC)	Filter Set-FXSVC (Lead,Cysts)	N/A
Filter cartridge	Gran. Act. Carbon	Block Act. Carbon	N/A
Particulate removal	0.5-1 micron	0.5-1 micron	Nominal 0.5 micron
Chlorine reduction (percent / gals.)	97/600	97/600	97/600
Filter life	6 months	6 months	6 months
Lead reduction (percent / gals.)	98/600	98/600	98/600
Cysts reduction (percent)	99.99	99.99	99.99
Turbidity reduction (percent)	99	99	99
Lindane reduction (percent / gals.) (a pesticide)	●	91/600	91/600
Asbestos reduction (percent)	99	99	99
Mercury reduction (percent / gals.)	90/600	90/600	90/600
Atrazine reduction (percent / gals.)	●	89/600	89/600
Filter change indicator	Electronic	Electronic	Sticker
Installation kit	●	●	●
Fittings	●	●	●
Optional basement installation (hardware not included)	●	●	●
Appearance			
Style	Bracket	Bracket	Bracket
Unit color	White	White	White
Filter housing	White	White	White
Weights & Dimensions			
Approximate shipping weight (lbs.)	7	7	3.8
Overall W x H x D (in.)	12 x 13 x 4-5/8	12 x 13 x 4-5/8	5-1/2 x 13 x 4-3/4
Shipping			
Quantity per pack	1	1	8/1
Power/Ratings			
Faucet monitor power requirement	2 AA batteries (incl.)	2 AA batteries (incl.)	N/A
Accessories (available at add'l cost)			
Icemaker connection kit	UCKIT	UCKIT	UCKIT
Replacement filter	FXSVC (dual pack)	FXSVC (dual pack)	FXJLC/FXJLC

Caution: Do not use with water that is microbiologically unsafe or of unknown quality, without adequate disinfection before or after the system. Systems certified for cysts reduction may be used on disinfected water that may contain filterable cysts.

Models GNSV30C/GNSV25C/GNSL05C Installation Information (in inches)



Model GN1S15C Installation Information (in inches)



Installation and Parts Information

Note: Can be installed under counter (as shown), in basement, or other convenient location. Before installing, see installation instructions packed with product for complete details.

Replacement Filters

Call SmartWater Services toll-free 800.952.5039 to order replacement filters.

Water Test Kit

To order a water test kit, call 800.626.2000.



GNSV25CBL, GNSV30CCC, GNSV30CWW, GN1S15CBL and GNSL05CBL are Tested and Certified by NSF International against ANSI/NSF Standard 42 for Particulate Reduction Class I, Chlorine Reduction Class I and Taste and Odor Reduction.

GNSV25CBL, GNSV30CCC and GNSV30CWW are Tested and Certified by NSF International against ANSI/NSF Standard 53 for Lead, Cysts, Turbidity, Asbestos, Mercury and VOC Reduction.

GN1S15CBL and GNSL05CBL are Capital Tested and Capital Certified by NSF International against ANSI/NSF Standard 53 for Lead, Cyst, Turbidity, Asbestos, Lindane, Atrazine and Mercury Reduction.

SmartWater Softening Systems

GEAppliances.com

	GE		
	GNSH45E	GXSH39E	GXSF27E
Capacity			
Capacity (grains)	45000*	39000*	27100*
Features			
Efficiency (grains per lb.-salt)	5350**	5360**	5060**
Maximum hardness removal (ppg)	160	110	95
Maximum clear water iron reduction (ppm)	10	8	4
Resin filter type	Std. Mesh	Std. Mesh	Std. Mesh
Resin quantity (cu. ft.)	1.23	1.07	0.72
Resin tank size (in.)	10 x 40	9 x 40	8 x 40
Salt capacity (lbs.)	200	200	200
Regeneration time (min.)	Approx. 118	Approx. 118	Approx. 118
Service flow rate (at 15 psi drop)	12.5	11	8
Installation pack	●	●	●
Permanent settings memory	●	●	●
Electronic controls	●	●	●
Days to empty indicator	●	●	●
Low salt indicator	●	●	●
Status light indicator	●	●	●
Audible alarm	●	●	●
Systems monitor	●	●	●
Valve size	1"	1"	3/4"
Plumbing connections	Up to 1-1/4"	Up to 1-1/4"	Up to 1"
Appearance			
Style	Sculpted	Sculpted	Sculpted
Unit color	Light Grey	Light Grey	Light Grey
Electronic demand driven	●	●	●
Weights & Dimensions			
Approximate shipping weight (lbs.)	114	100	80
Overall W x H x L (in.)	51x20x20	51x20x20	51x20x20
Power/Ratings			
Electronic rating	24V, 60Hz	24V, 60Hz	24V, 60Hz

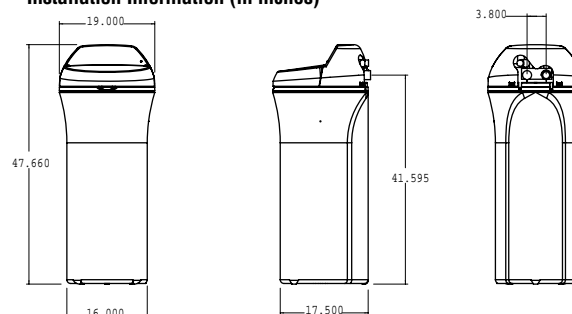
*GNSH45E-Test protocol @ 13.6 lbs. of salt.
GXSH39E-Test protocol @ 11.8 lbs. of salt.
GXSF27E-Test protocol @ 11.5 lbs. of salt.

**GNSH45E-Test protocol @ 3.6 lbs. of salt.
GXSH39E-Test protocol @ 3.2 lbs. of salt.
GXSF27E-Test protocol @ 2.2 lbs. of salt.

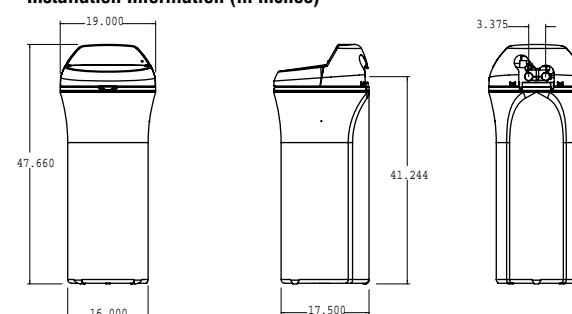
Important: All units must be installed according to local codes.

Note: Before installing, see installation instructions packed with product for complete details, or call GE QuickSpecs 800-432-3729.

Models GNSH45E and GXSH39E Installation Information (in inches)



Model GXSF27E Installation Information (in inches)



GNSH45E, GXSH39E and GXSF27E conform to ANSI/NSF 44 for specifically claimed performance.

See page 159 for warranty information.

Vertical Packaged Terminal Air Conditioning

Features	GE*					
	Electric Resistance Heat			Heat Pumps		
	AZ75E09DAC	AZ75E12DAC	AZ75E18DAC	AZ75H09DAC	AZ75H12DAC	AZ75H18DAC
BTUH	9,500/9,300	11,700/11,500	17,500/17,200	9,500/9,300	11,700/11,500	17,500/17,200
Voltage	230/208	230/208	230/208	230/208	230/208	230/208
E.E.R. (BTUH/Watt)	10.5/10.5	10.7/10.7	10.0/10.0	10.5/10.5	10.7/10.7	10.0/10.0
Universal Heater (kW)	2.55/3.45/5.0	2.55/3.45/5.0	2.55/3.45/5.0	2.55/3.45/5.0	2.55/3.45/5.0	2.55/3.45/5.0
Dehumidification (pints/hr.)	2.7	3.6	5.0	2.7	3.6	5.0
Heating Cap (BTUH)				8,400/8,200	10,900/10,700	15,700/15,500
COP @ 47°				3.6	3.3/3.3	3.1
Indoor CFM (Hi/Lo)	310/260	375/315	550/475	310/260	375/315	550/475
Case Dimensions						
Height (in inches)	32-1/4	32-1/4	32-1/4	32-1/4	32-1/4	32-1/4
Width (in inches)	23-1/8	23-1/8	23-1/8	23-1/8	23-1/8	23-1/8
Depth (in inches)	23-1/8	23-1/8	23-1/8	23-1/8	23-1/8	23-1/8
Net weight (lbs.)	141	154	163	141	154	163
Approx. shipping weight (lbs.)	152	165	174	152	165	174

Zoneline® Specifications—Heater Wattage and Power Connection Kits

Deluxe Line: 2500, Dry Air 25 and 3200 Series

Models are manufactured with fixed heater wattages with the appropriate power cord attached (all 265 volt models are permanently connected).

5.0 KW heaters are not available on 7,000 BTUH models.

Voltage	Heater Amps	Heater Designator	Watts	KWH	Minimum Ampacity	BTUH
230/208	11.1/10.0	2	2550/2090	2.55/2.09	15	8600/7100
230/208	15.0/13.6	3	3450/2820	3.45/2.82	20	11,700/9600
230/208	21.7/19.7	5	5000/4090	5.00/4.09	30	17,000/13,900
265	9.7	3	2550	2.55	15	8600
265	14.0	4	3700	3.7	20	12,600
265	18.9	5	5000	5.0	30	17,000

Premium Line: 5500 Series and Vertical 7500 Series

Power Connection Kits are REQUIRED on Premium Zoneline Chassis. (See chart.)

The correct kit for the installation is determined by the voltage and amperage of the electrical circuit and the means of connecting the unit to the building wiring. If the unit is to be plugged into a receptacle, a line cord kit would be used; if the unit is to be permanently connected, a permanent connection kit would be used.

Note: 265 volt cord set units must be installed in compliance with National Electrical Code®.

230/208 Volt—Line Cord Connected Units

Power Connection Kit	RAK3152	RAK3202	RAK3302
Heater KW	2.55/2.09	3.45/2.82	5.00/4.09
Watts	2550/2090	3450/2820	5000/4090
BTUH	8600/7100	11,700/9600	17,000/13,900
Amps	11.1/10.0	15.0/13.6	21.7/19.7
Min. Circuit Amps	15	20	30
Recommended Protective Device	15 Amp Time Delay Fuse or Breaker	20 Amp Time Delay Fuse or Breaker	30 Amp Time Delay Fuse or Breaker

5500 Series Only

265 Volt—Permanent Connected Units* (Cord Set)

Power Connection Kit	RAK5152	RAK5172	RAK5202	RAK5302
Heater KW	1.7	3.0	3.7	5.0
Watts	1700	3000	3700	5000
BTUH	5800	10,200	12,600	17,000
Amps	6.4	11.3	14.0	18.9
Min. Circuit Amps	15	15	20	30
Recommended Protective Device	15 Amp Time Delay Fuse	15 Amp Time Delay Fuse	20 Amp Time Delay Fuse	30 Amp Time Delay Fuse

*To be used with sub-base.

Sub-bases

	RAK204U	RAK204D20	RAK204D30	RAK204E15	RAK204E20	RAK204E30
Voltage	N/A	230/208	230/208	265	265	265
Amps	N/A	15/20	30	15	20	30
Receptacle	N/A	NEMA6-20R	NEMA6-30R	NEMA7-15R	NEMA7-20R	NEMA7-30R

265 Volt units are to be direct connected. Cordset through enclosed chaseway into interior sub-base receptacle meets the NEC requirements.

GE has a policy of continuous improvement on its products and reserves the right to change materials and specifications without notice.

See page 159 for warranty information.

242

Power Connection Kit

Required on premium models.

See specification sheet for heater KW and branch circuit ampacity.

Receptacles/Sub-bases



Tandem
230/208V 15 Amp
NEMA6-20R



Perpendicular
230/208V 20 Amp
NEMA6-20R



Large Tandem
230/208V 30 Amp
NEMA6-30R



265V 15 Amp
NEMA7-15R;
receptacle used on
265V sub-base GE0715



265V 20 Amp
NEMA7-20R;
receptacle used on
265V sub-base GE0720-3



265V 30 Amp
NEMA7-30R;
receptacle used on
265V sub-base GE073



RAK3152/3202/3302
230/208 volt Line
Cord Connection Kit



Zoneline Packaged Terminal Unit Specifications

GE							
Deluxe Series—Cooling and Electric Heat				Dry Air 25			
2500 Series Units							
230/208V Models	AZ25E07D	AZ25E09D	AZ25E12D	AZ25E15D	AZ25E07D*P	AZ25E09D*P	AZ25E12D*P
Capacity							
Cooling BTUH	7,100/6,900	9,000/8,800	11,700/11,500	14,600/14,300	6,800/6,600	8,600/8,400	11,200/11,000
EER (BTU/Watt)	11.8/11.8	11.5/11.5	10.9/10.9	9.6/9.6	11.1/11.1	10.8/10.8	10.2/10.2
Dehumidification Pts/Hr	1.7	2.7	3.6	4.5	2.2	3.4	4.5
Features							
CFM, Indoor Fan High	240	260	270	310	230	230	240
CFM, Indoor Fan Low	210	230	240	280	200	200	210
Vent CFM	40/35	65/60	70/65	70/65	40/35	65/60	70/65
Power/Ratings							
Power Factor	95	96	97	94	95	96	97
Sensible Heat Ratio @ 230 Volts	75%	68%	67%	67%	66%	58%	57%
Watts	600/585	785/765	1075/1055	1520/1490	600/585	785/765	1075/1055
Amperes, F.L.	2.8/3.0	3.6/3.9	4.9/5.3	7.0/7.5	2.8/3.0	3.6/3.9	4.9/5.3
Amperes, L.R.	19.0	21.0	33.0	38.0	19.0	21.0	33.0
Weight (Net/Ship)**	92/108	93/109	101/117	111/127	98/114	99/115	107/123

265V Models	AZ25E07E	AZ25E09E	AZ25E12E	AZ25E15E	AZ25E07E*P	AZ25E09E*P	AZ25E12E*P
Capacity							
Cooling BTUH	7,100	9,000	11,700	14,600	6,800	8,600	11,200
EER (BTU/Watt)	11.8	11.5	10.9	9.6	11.1	10.8	10.2
Dehumidification Pts/Hr	1.7	2.7	3.6	4.5	2.2	3.4	4.5
Features							
CFM, Indoor Fan High	240	260	270	310	230	230	240
CFM, Indoor Fan Low	210	230	240	280	200	200	210
Vent CFM	40	65	70	70	40	65	70
Power/Ratings							
Power Factor	96	94	94	96	96	94	94
Sensible Heat Ratio @ 265 Volts	75%	68%	67%	67%	66%	58%	57%
Watts	600	785	1075	1520	600	785	1075
Amperes, F.L.	2.4	3.2	4.4	6.0	2.4	3.2	4.4
Amperes, L.R.	16.0	18.0	24.0	31.0	16.0	18.0	24.0
Weight (Net/Ship)**	92/108	93/109	100/117	111/127	98/114	99/115	107/123

* For Dry Air 25 model number, designate respective heater number using chart above, followed by the letter "P".
 ** ICR adds 3 pounds to unit weight.

Zoneline Installation

Simple Three-Step Installation

Zoneline heat pumps and heat/cool units are designed for easy installation, off or flush with the floor. When the SMC fiberglass-reinforced polyester sleeve is installed, the chassis simply slides into place.

Compatibility with existing Zoneline wall cases and rear grilles simplifies retrofit installations. A new chassis simply slides into the already installed wall case; the existing rear grille may be used as is, or with a minor modification for greater operating efficiency.

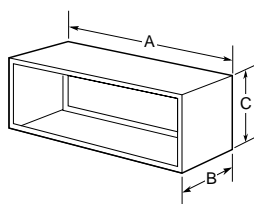
And the exclusive Quick Connect power supply kit with Premium Series makes it easy to connect the new unit to power sources already in place.

1. Frame the Opening. The RAB77A SMC wall case requires an opening of 16-1/2" high x 42-3/8" wide. Position the sleeve, secure it to the studs and then caulk. Complete instructions are furnished with each unit.

2. Connect the Electrical Supply. Each Zoneline unit requires a 230/208V or 265V power supply. *It is strongly recommended that electrical connections be made by a qualified electrician.* All wiring, including installation of the receptacle, must be in accordance with local codes.

3. Slide In Chassis. With the wall sleeve, electrical receptacle, and exterior grille in place, the separate chassis simply slides into position. Install the roomside cabinet, and plug into the electrical receptacle. You are now ready for many years of quiet comfort.

Wall Case Dimensions



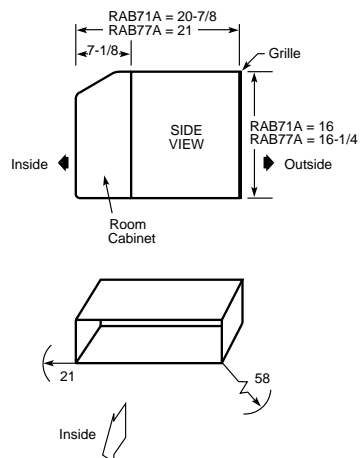
RAB71 Insulated Wall Case
 Heavy-gauge galvanized steel, with insulation.
 A-42", B-13-3/4", C-16"

RAB77 Wall Case
 Molded SMC fiberglass-reinforced polyester compound.
 A-42-1/8", B-13-7/8", C-16-1/4"

Wall Opening Dimensions
 Add 1/4" to A and C dimensions for all cut-out size.
 RAB71—16-1/4" min. H x 42-1/4" min. W
 RAB77—16-1/2" min. H x 42-3/8" min. W

See page 242 for heater wattages and power connection kits.

Maximum Cord Extension (in inches)



Electrical Wiring

All wiring, including installation of receptacle, must be made in accordance with local electrical codes and regulations.

Note: Aluminum wiring may pose special problems—consult a qualified electrician.

Cooling Sizes

All units come in four nominal cooling sizes: 7100, 9000, 12,000 and 15,000 BTUH.

Resistance Heat

Resistance heat or back-up heat determined by Quick Connect power cord on the Premium Series and selected heater size for the Value Series (15 amp. 8600 BTU, 20 amp. 11,700 BTU and 30 amp. 17,000 BTU @ 230 volt).

Grille Options

Stamped Aluminum Grille—RAG60
 Molded Exterior Architectural Louvers (Cycloloy)
 RAG61 or RAG64 (Beige)
 RAG62 or RAG65 (Maple)
 RAG63 or RAG66 (Bittersweet)
 RAG67 (Extruded Aluminum)

Ducted Applications

2200 and 3200 series can be used with ductwork to heat or cool more than one room. RAK6052 Duct Adapter is applied to top of case over air discharge/RAK601 Duct Extension is applied to right or left of adapter. Locally fabricated ductwork may be added to extend to maximum recommended distance of 15 feet.

Electrical Connection

230/208-volt units may be plugged into a receptacle. 265-volt units and special application 230/208-volt units require direct connection. See Architects and Engineers Design Data Manual for electrical connection information including use of sub-base for direct connected units. Installation must comply with local electrical codes and regulations.

For the most current updates to features, specifications and installations or applications, visit our website at www.zoneline.com.

See page 159 for warranty information.



Zoneline® Packaged Terminal Unit Specifications (continued)

GE®								
Deluxe Series—Heat Pump Units					Premium Series—Heat Pump Units			
3500 Series Units								
230/208V Models	AZ35H07D	AZ35H09D	AZ35H12D	AZ35H15D	AZ55H07D	AZ55H09D	AZ55H12D	AZ55H15D
Capacity								
Cooling BTUH	7,100/6,900	9,000/8,800	11,700/11,500	14,600/14,300	7,100/6,900	9,000/8,800	11,800/11,600	14,700/14,400
EER (BTU/Watt)	11.8/11.8	11.5/11.5	10.9/10.9	9.6/9.6	12.0/12.0	11.5/11.5	10.9/10.9	10.0/10.0
Dehumidification (pints/hr.)	1.7	2.7	3.6	4.5	1.7	2.8	3.6	4.8
Features								
CFM, Indoor Fan High	250	260	280	310	240	290	330	350
CFM, Indoor Fan Low	220	230	250	280	220	270	310	330
Vent CFM	40/35	65/60	70/65	70/65	40/35	65/60	70/65	70/65
Power/Ratings								
Power Factor	95	96	97	94	95	96	94	95
Sensible Heat Ratio @ 230 Volts	75%	68%	67%	67%	75%	67%	68%	65%
Watts	600/585	785/765	1075/1055	1520/1490	590/565	785/765	1085/1065	1470/1440
Amperes, F.L.	2.8/3.0	3.6/3.9	4.9/5.3	7.0/7.5	2.7/2.9	3.6/3.9	5.1/5.5	6.7/7.3
Amperes, L.R.	19.0	21.0	33.0	38.0	19.0	21.0	33.0	38.0
Reverse Cycle Heat BTUH	6400/6200	8400/8200	10900/10700	13400/13200	6,400/6,200	8,400/8,200	10,900/10,700	13,400/13,200
COP	3.5/3.5	3.5/3.5	3.3/3.3	3.1/3.1	3.5/3.5	3.5/3.5	3.3/3.3	3.1/3.1
Watts	535/520	705/685	970/950	1265/1250	535/520	700/685	970/950	1,265/1,250
Amps	2.4/2.6	3.1/3.4	4.3/4.7	5.8/6.3	2.4/2.6	3.1/3.3	4.3/4.7	5.8/6.3
Weight (Net/Ship)*	96/112	99/115	111/127	121/137	101/117	106/122	116/132	123/139

265V Models	AZ35H07E	AZ35H09E	AZ35H12E	AZ35H15E	AZ55H07E	AZ55H09E	AZ55H12E	AZ55H15E
Capacity								
Cooling BTUH	7,100	9,000	11,700	14,600	7,100	9,000	11,800	14,700
EER (BTU/Watt)	11.8	11.5	10.9	9.6	12.0	11.5	10.9	10.0
Dehumidification (pints/hr.)	1.7	2.7	3.6	4.5	1.7	2.8	3.6	4.8
Features								
CFM, Indoor Fan High	250	260	280	310	240	290	330	350
CFM, Indoor Fan Low	220	230	250	280	220	270	310	330
Vent CFM	40	65	70	70	40	65	70	70
Power/Ratings								
Power Factor	96	94	94	96	96	94	94	96
Sensible Heat Ratio @ 265 Volts	75%	68%	67%	67%	75%	67%	68%	65%
Watts	600	785	1075	1520	590	785	1085	1470
Amperes, F.L.	2.4	3.2	4.4	6.0	2.3	3.2	4.5	5.8
Amperes, L.R.	16.0	18.0	24.0	31.0	16.0	18.0	24.0	31.0
Reverse Cycle Heat BTUH	6,400	8,400	10,900	13,400	6,400	8,400	10,900	13,400
COP	3.5	3.5	3.3	3.1	3.5	3.5	3.3	3.1
Watts	535	700	970	1265	535	705	970	1,265
Amps	2.2	2.8	3.9	5.0	2.2	2.8	3.9	5.0
Weight (Net/Ship)**	96/112	99/115	111/127	121/137	101/117	106/122	116/132	123/139

*ICR adds 3 pounds to unit weight.

See page 159 for warranty information.

244



Built-In “J” Series Units and Heat Pumps

Models	GE									
	Regular Mount Chassis/Cool						High-Mount Chassis/Cool			
	AJCS06LCA	AJCS08ACA	AJCS10ACA	AJCS09DCA	AJCS10DCA	AJCS12DCA	AJCH08ACA	AJCH10ACA	AJCH10DCA	AJCH12DCA
Capacity										
BTUH-AHAM	6000	8000	9900	8900/8700	9900/9700	11,600/11,400	8000	9900	9900/9700	11,600/11,400
E.E.R.	9.5	9.2	9.2	9.5/9.5	9.2/9.2	9.0/9.0	9.2	9.2	9.2/9.2	9.0/9.0
Dehumidification (pints/hr.)	1.4	2.0	2.7	2.5	2.6	3.2	2.0	2.7	2.6	3.2
Features										
Fan speeds (Cool/Fan Only)	2/2	2/2	2/2	2/2	2/2	2/2	2/2	2/2	2/2	2/2
Airflow (cfm) roomside hi/low	210/180	250/210	250/210	250/210	250/210	265/230	250/210	250/210	250/210	265/230
Air exchange exhaust	•	•	•	•	•	•	•	•	•	•
Variable setting thermostat	•	•	•	•	•	•	•	•	•	•
Filter type	Slide-Out	Slide-Out	Slide-Out	Slide-Out	Slide-Out	Slide-Out	Slide-Out	Slide-Out	Slide-Out	Slide-Out
Rotary compressor	•	•	•	•	•	•	•	•	•	•
Economical/Quiet										
Fan cycle switch	•	•	•	•	•	•	•	•	•	•
Appearance										
Slide-out chassis	•	•	•	•	•	•	•	•	•	•
Installation	Wall	Wall	Wall	Wall	Wall	Wall	Wall	Wall	Wall	Wall
Wall case required	RAB46/47/48	RAB46/47/48	RAB46/47/48	RAB46/47/48	RAB46/47/48	RAB46/47/48	RAB46/47/48	RAB46/47/48	RAB46/47/48	RAB46/47/48
Weights & Dimensions										
Height (in inches) A	←-----→						←-----→			
Width (in inches) B	←-----→						←-----→			
Depth (in inches) C	←-----→						←-----→			
Approx. net weight (lbs.)	62	67	75	69	76	79	67	75	76	79
Approx. shipping weight (lbs.)	70	75	83	77	84	87	76	83	84	87
Power/Ratings										
Voltage	115	115	115	230/208	230/208	230/208	115	115	230/208	230/208
Amps-AHAM	5.7	7.9	9.7	4.2/4.6	4.9/5.3	5.8/5.3	7.9	9.7	4.9/5.3	5.8/6.3
Watts input	630	870	1075	935/915	1075/1055	1290/1265	870	1075	1075/1055	1290/1265
Line cord plug	Parallel	Parallel	Parallel	Tandem	Tandem	Tandem	Parallel	Parallel	Tandem	Tandem
Recommended circuit protection (time delay)	15 Amps	15 Amps	15 Amps	15 Amps	15 Amps	15 Amps	15 Amps	15 Amps	15 Amps	15 Amps

Models	GE					
	Regular Mount Chassis/Heat/Cool			High-Mount Chassis/Heat/Cool	Regular Mount Chassis/Heat Pumps	
	AJES09DCA	AJES10DCA	AJES12DCA	AJEH12DCA	AJHS08DCA	AJHS10DCA
Capacity						
BTUH-AHAM	8900/8700	9900/9700	11,600/11,400	11,600/11,400	8000/7800	9800/9600
E.E.R.	9.5/9.5	9.2/9.2	9.0/9.0	9.0/9.0	9.2/9.2	9.2/9.2
Dehumidification (pints/hr.)	2.5	2.6	3.2	3.2	2.0	2.6
Features						
Fan speeds (Heating/Cooling)	2/2	2/2	2/2	2/2	2/2	2/2
Fan Only speeds	2	2	2	2	2	2
Airflow (cfm) roomside hi/low	250/210	250/210	265/230	265/230	250/210	250/210
Air exchange exhaust	•	•	•	•	•	•
Variable setting thermostat	•	•	•	•	•	•
Filter type	Slide-Out	Slide-Out	Slide-Out	Slide-Out	Slide-Out	Slide-Out
Rotary compressor	•	•	•	•	•	•
Economical/Quiet						
Fan cycle switch	•	•	•	•	•	•
Appearance						
Slide-out chassis	•	•	•	•	•	•
Wall case required	RAB46/47/48	RAB46/47/48	RAB46/47/48	RAB46/47/48	RAB46/47/48	RAB46/47/48
Installation	Wall	Wall	Wall	Wall	Wall	Wall
Window installation kit	Optional	Optional	Optional	Optional	Optional	Optional
Weights & Dimensions						
Height (in inches) A	←-----→			←-----→		←-----→
Width (in inches) B	←-----→			←-----→		←-----→
Depth (in inches) C	←-----→			←-----→		←-----→
Approx. net weight (lbs.)	70	77	80	80	71	81
Approx. shipping weight (lbs.)	78	85	88	88	80	91
Power/Ratings						
Voltage	230/208	230/208	230/208	230/208	230/208	230/208
Amps-AHAM	4.2/4.6	4.9/5.3	5.8/6.3	5.8/6.3	4.0/4.3	4.9/5.3
Watts input	935/915	1075/1055	1290/1265	1290/1265	870/850	1065/1045
Line cord plug	Perpendicular	Perpendicular	Perpendicular	Perpendicular	Perpendicular	Perpendicular
Recommended circuit protection (time delay)	20 Amps	20 Amps	20 Amps	20 Amps	20 Amps	20 Amps
Reverse Cycle Heating						
BTUH-AHAM					7700/7500	9700/9500
C.O.P. @ 47°F					3.0	3.0
Amps-AHAM					3.4/3.7	4.3/4.7
Watts input					750/730	950/930
Electric Resistance Heating						
BTUH-AHAM	11,600/9,480	11,600/9,480	11,600/9,480	11,600/9,480	11,600/9,480	11,600/9,480
Amps (Max. connected load)	16.0	16.0	16.0	16.0	16.0	16.0
Watts output	3400/2780	3400/2780	3400/2780	3400/2780	3400/2780	3400/2780

All cooling with electric heat models and heat pumps are corrosion treated. Specifications and design subject to change without notice.

See page 159 for warranty information.



Refrigeration

Cooking Products

Microwave Ovens

Dishwashers

Clothes Care

Water Systems

Air Conditioning

Window/Built-In “J” Series Units and Heat Pumps

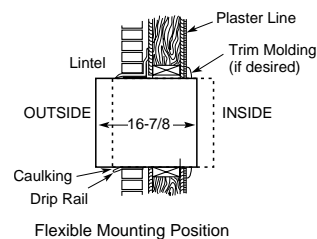
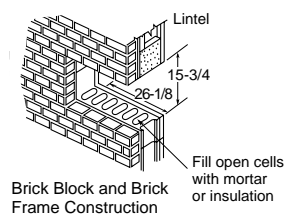
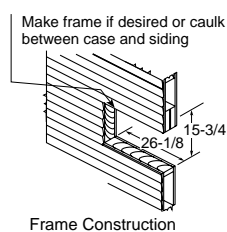
GE® “J” Series							
Features	Heat/Cool Units			Heat Pump	Cooling Only Units		
	AJES06LSA*	AJES08ASA*	AJES10DSA*	AJHS08ASA*	AJCS06LZA	AJCS08AZA	AJCS10AZA
Cooling BTUH-AHAM	6,000	8,000	9,900/9,700	8,000	6,000	8,000	9,900
Voltage	115	115	230/208	115	115	115	115
E.E.R. (BTUH/Watt)	9.5	9.2	9.2/9.2	9.2	9.5	9.2	9.2
Rated cooling amps - AHAM	5.7	7.9	4.9/5.3	7.9	5.7	7.9	9.7
Cooling watts	630	870	1,075/1,055	870	630	870	1,075
Plug type (see below)	Parallel	Parallel	Perpendicular	Parallel	Parallel	Parallel	Parallel
Line cord plug recommended circuit protection (time delay)	15 Amps	15 Amps	20 Amps	15 Amps	15 Amps	15 Amps	15 Amps
Dehumidification (pints/hr.)	1.4	2.0	2.6	2.0	1.4	2.0	2.7
CFM (high shown)	210	250	250	230	210	250	250
Air exchange exhaust	●	●	●	●	●	●	●
Fan speeds: Cooling/Heating	2/2	2/2	2/2	2/2	2	2	2
Fan Only position	2	2	2	2	2	2	2
Fan cycle switch	●	●	●	●	●	●	●
Thermostat	Variable Setting	Variable Setting	Variable Setting	Variable Setting	Variable Setting	Variable Setting	Variable Setting
Filter type	Slide-Out	Slide-Out	Slide-Out	Slide-Out	Slide-Out	Slide-Out	Slide-Out
Chassis	Slide-Out	Slide-Out	Slide-Out	Slide-Out	Slide-Out	Slide-Out	Slide-Out
Compressor type	Rotary	Rotary	Rotary	Rotary	Rotary	Rotary	Rotary
Window mounting	Standard	Standard	Standard	Standard	EZ Mount	EZ Mount	EZ Mount
Window opening height (min. in inches)	17	17	17	17	17	17	17
Window opening width (min. in inches)	31	31	31	31	31	31	31
Window opening width (max. in inches)	42	42	42	42	41	41	41
Case Dimensions							
Height (in inches) A	15-5/8	15-5/8	15-5/8	15-5/8	15-5/8	15-5/8	15-5/8
Width (in inches) B	26	26	26	26	26	26	26
Depth (in inches) C	16-7/8	16-7/8	16-7/8	16-7/8	16-7/8	16-7/8	16-7/8
Depth to louvers (in inches) D	None	None	None	None	None	None	None
Net weight (lbs.)	86	91	100	94	85	90	98
Approx. shipping weight (lbs.)	95	100	108	102	93	99	106
Heating Capacity - Reverse Cycle							
BTUH - AHAM - H.P.				7,700			
Rated Heating Amps - AHAM				6.8			
COP @ 47°				3.0			
Heating Capacity - Electric							
BTUH - AHAM - I ² R	4,100	4,100	11,600/9,480	4,100			
Rating Heating Amps - AHAM	12.0	12.0	15.5/14.0	12.0			
Total Heating Load Watts	1,200	1,200	3,400/2,780	1,200			

*These units are not intended to be the primary source of heat.

Built-In Room Air Conditioners Wall Opening for RAB46/47/48 Cases

A finished opening of 26-1/8" x 15-3/4", clear of intrusions, is required. Keep clearance of 4" from side walls. Brick veneer or frame walls should have wood studding surrounding case to provide firm anchoring with screws. Case can be fastened directly to brick or block walls with screws sunk in lead expansion shields.

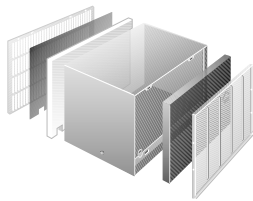
Note: Units should be caulked on all four sides of case to the building exterior to assure building integrity.



Two Wall Cases for Tenant Option Installation
When the air conditioner is offered as a tenant option, these wall cases provide protection against outside elements.

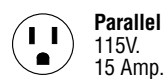
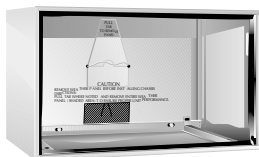
RAB47—includes wall case, exterior grille and steel closure panels.

RAB48—includes wall case, exterior grille, steel closure panel and two layers of insulation.



Standard Wall Case RAB46

Solid-sided wall case fabricated of galvanized steel with baked enamel finish. Welded areas are coated with a sealing compound to help resist rust and corrosion. Polymer gasket surrounds opening to assure tight weather seal. Aluminum grille (RAG13) is included. Panels on interior and between case and grille provide weather protection prior to installation of chassis.



Parallel
115V.
15 Amp.



Perpendicular
230/208V.
20 Amp.



Tandem
230/208V.
15 Amp.



Large Tandem
230/208V.
30 Amp.

Wall Outlets

All wiring, including installation of receptacle, must be made in accordance with local electrical codes and regulations. Electrical outlet should be in reach of line cord.

Note: Aluminum wiring may pose special problems—consult a qualified electrician.

Note: Some models may not be available in your area due to local legislation. Contact your local dealer.

Note: When installing slide out chassis units in through-the-wall applications, keep louvers free. Do not restrict air flow areas. Fixed chassis units are not suitable for through-the-wall applications.



Listed by
Underwriters
Laboratories

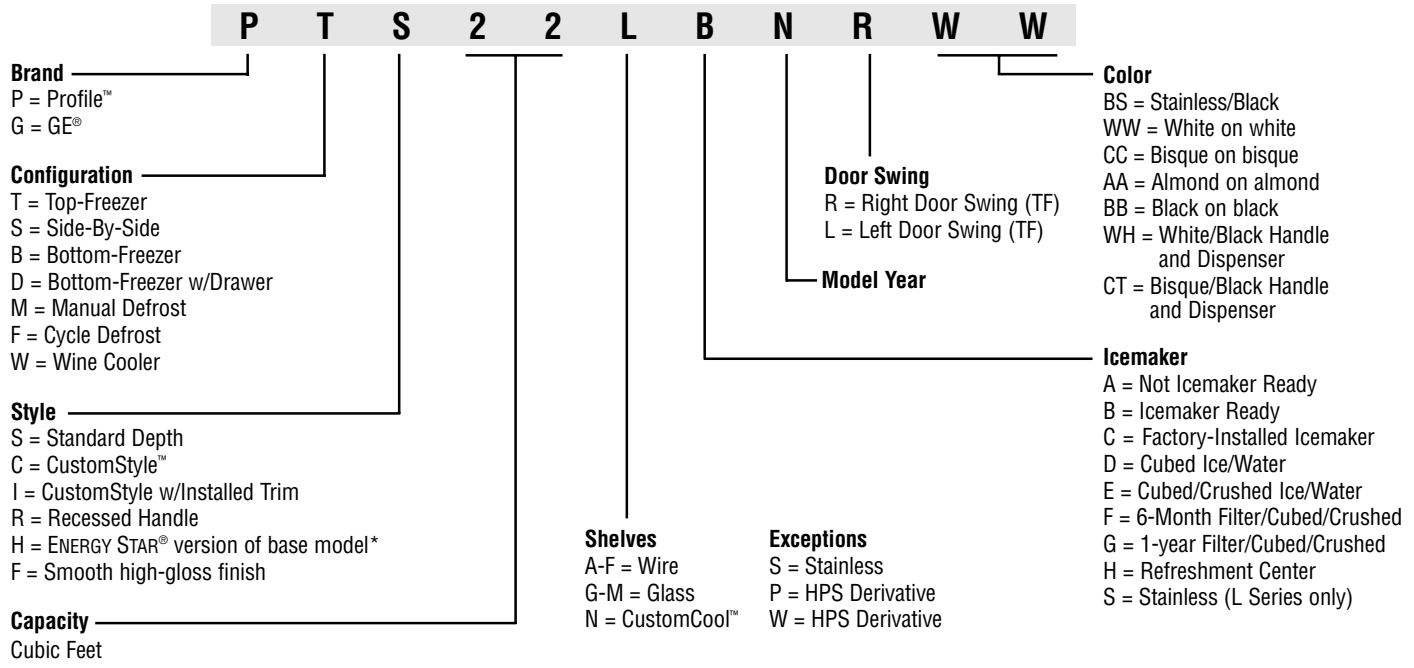


Total capacity and E.E.R. ratings are calculated based on the Association of Home Appliance Manufacturers' standards.

See page 159 for warranty information.
246

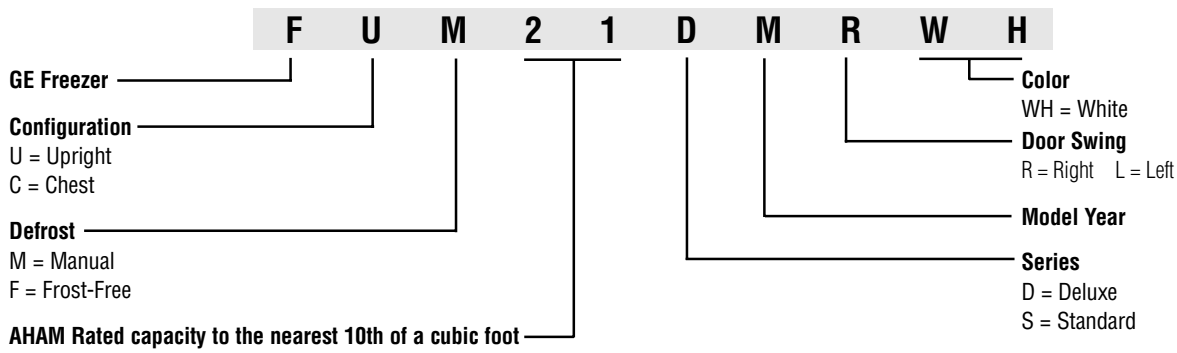


Reading Refrigerator Nomenclature



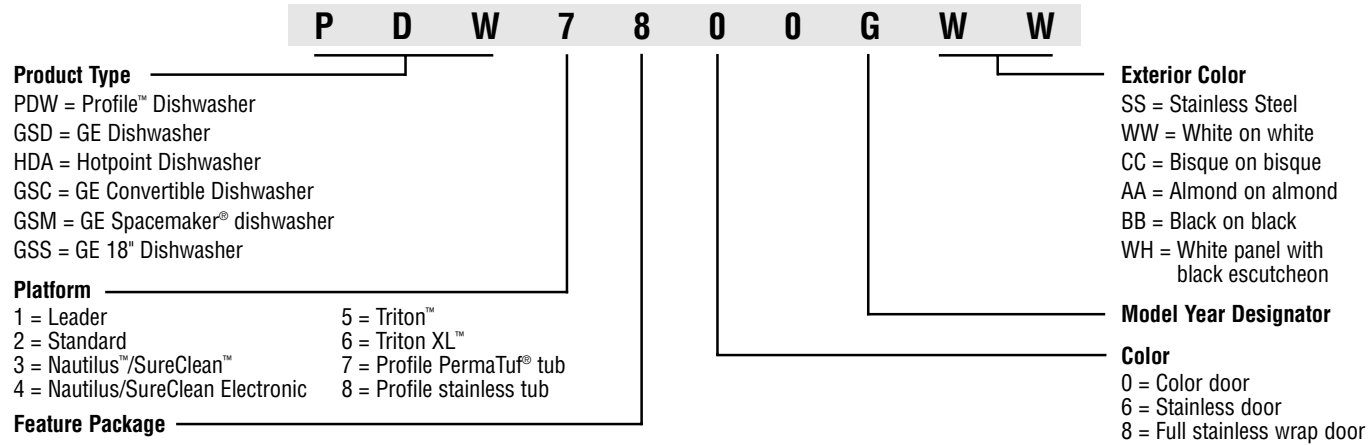
*Some models are only produced in ENERGY STAR versions, see product specifications for details.

Reading Freezer Nomenclature

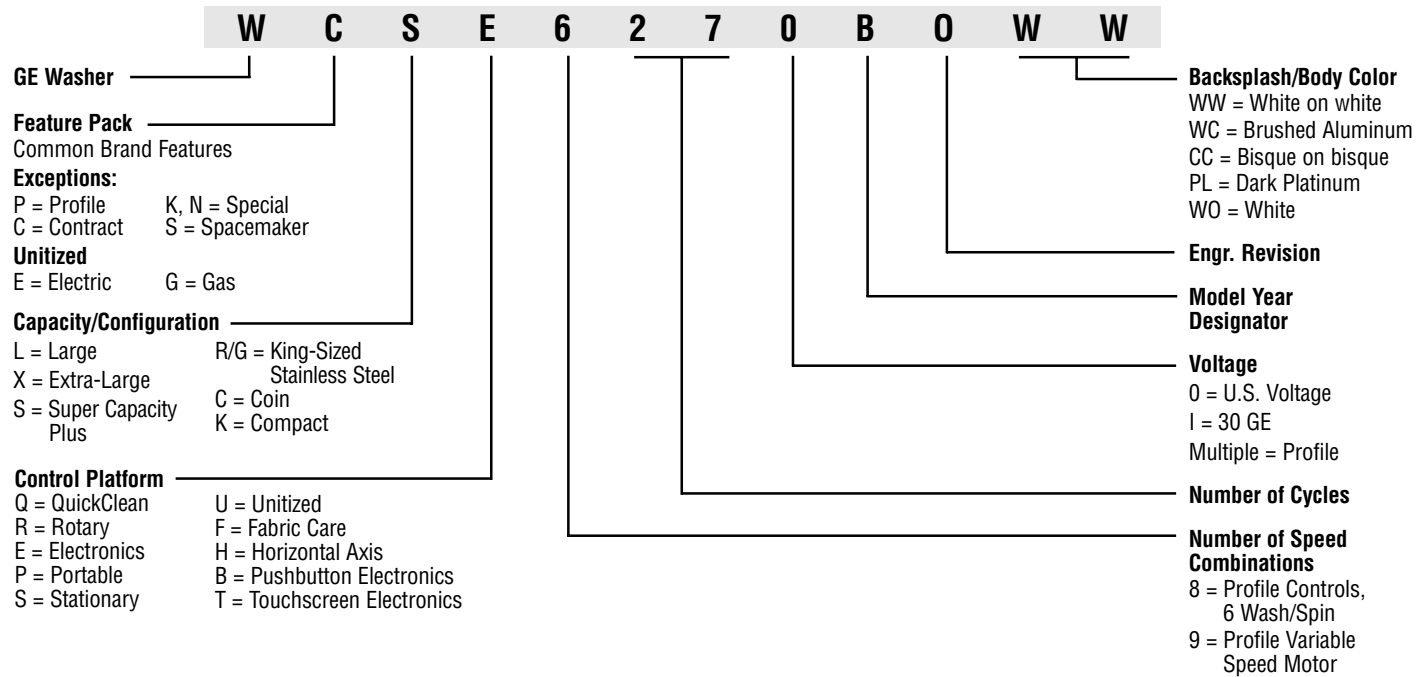




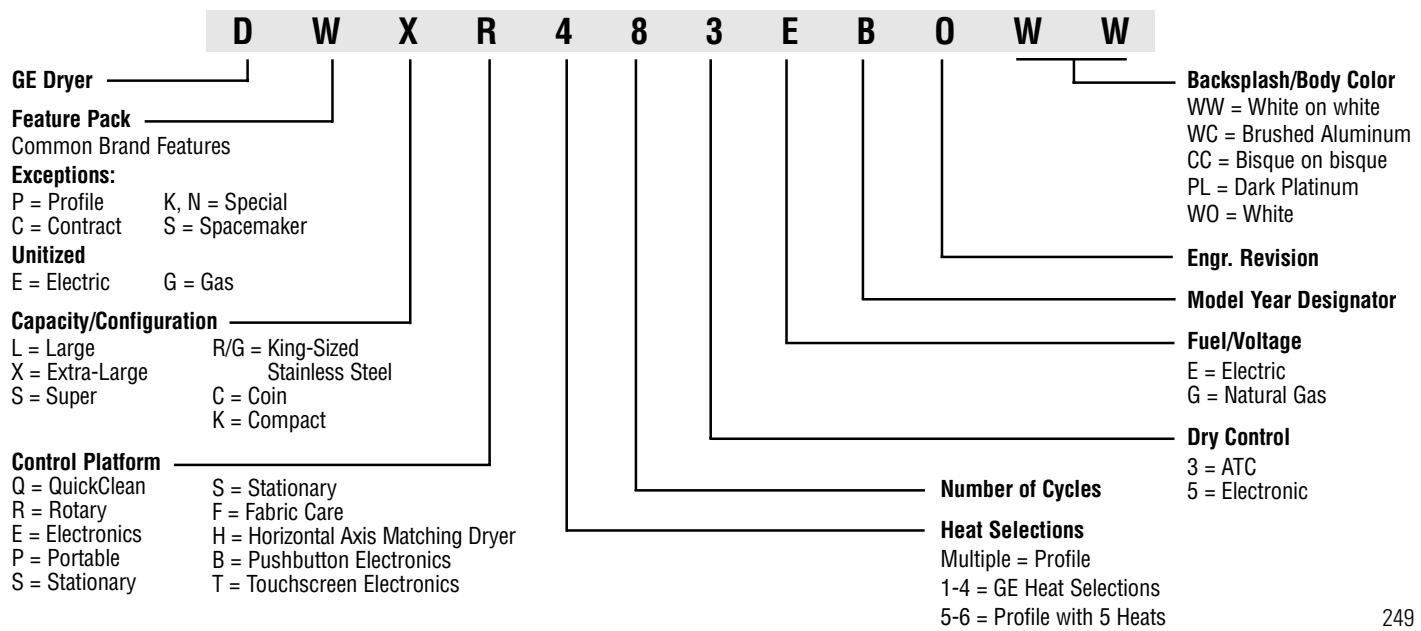
Reading Dishwasher Nomenclature



Reading Washer Nomenclature

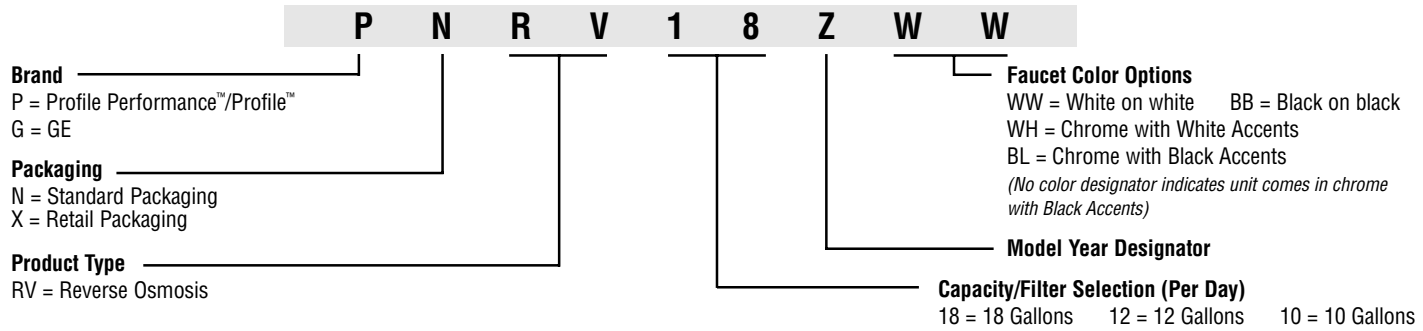


Reading Dryer Nomenclature

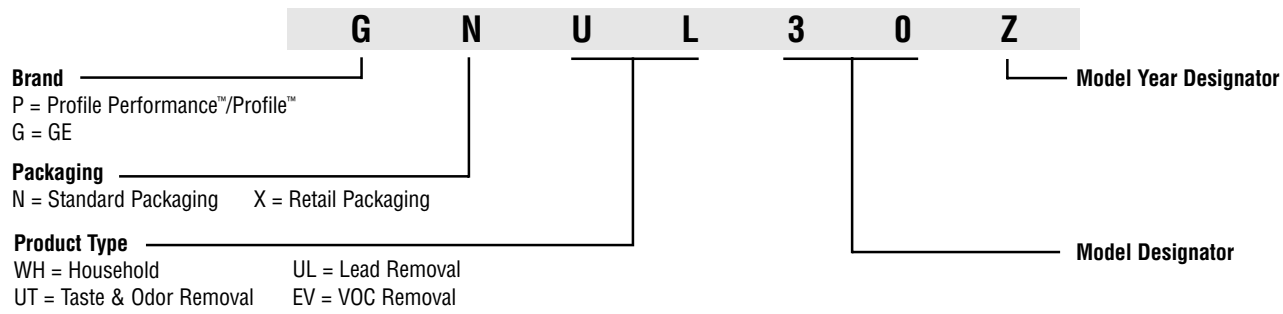




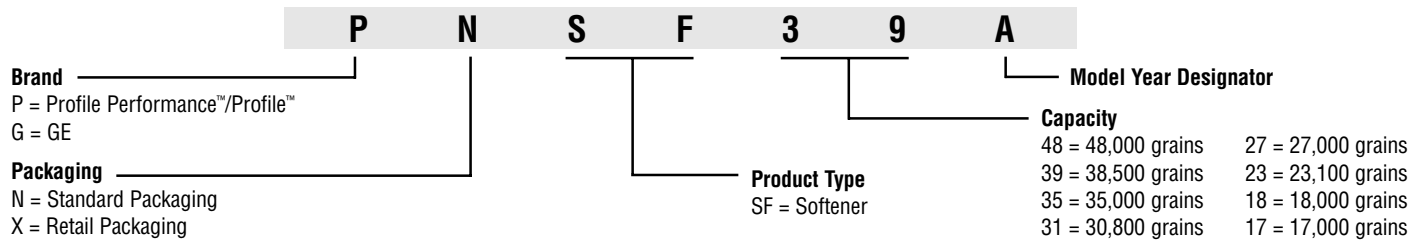
Reading Reverse Osmosis System Nomenclature



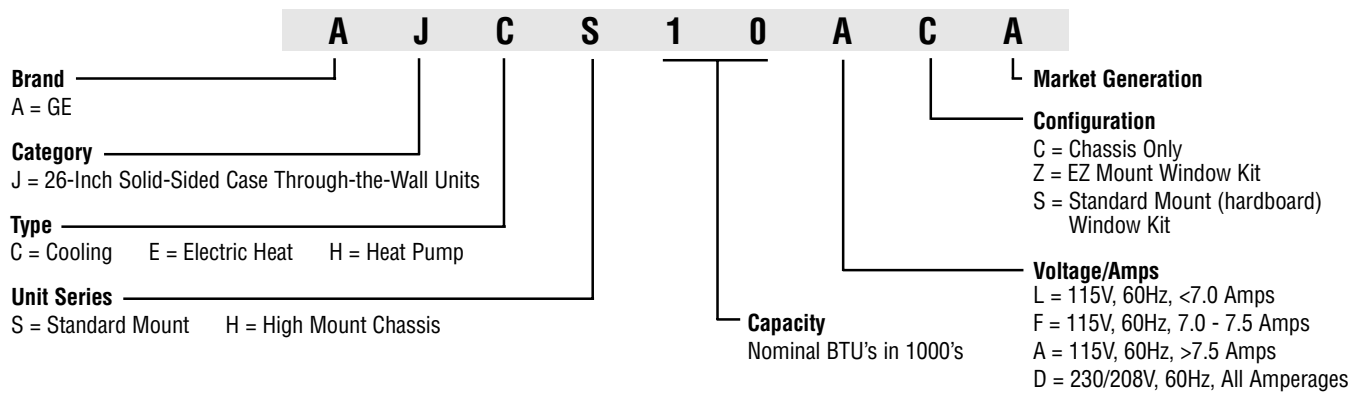
Reading Water Filtration System Nomenclature



Reading Water Softening System Nomenclature

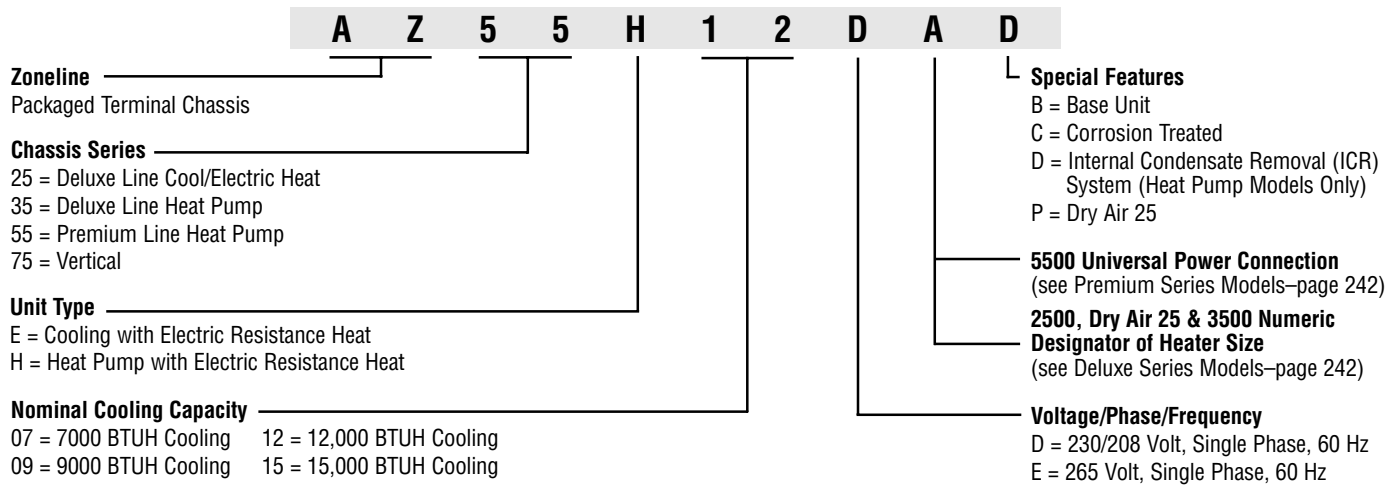


Reading Built-In Air Conditioners Nomenclature





Reading Zonline® Chassis Nomenclature



GE Businesses

For information on how to reach these other GE businesses, visit the GE web site at www.ge.com.

GE Industrial Systems Electrical distribution, control and circuit protection products, including transformers and switchgear, used in the contractor, industrial and OEM markets.	1-800-431-7867
GE Lighting Lighting products for home, industrial and commercial applications.	1-800-435-2677
GE Plastics, Resin and Sheet Roofing shingles, window frames, Lexan® sheet for windows and Nuvel kitchen countertops.	Resin – 1-800-845-0600 Sheet – 1-800-451-3147
GE Silicones Silicone adhesives, conformal coatings, anti-foams, and other applications in the construction markets.	1-800-255-8886
GE Exchange (GE Capital Commercial Direct) Business Information center for upgrading long-distance telephone service and guaranteed savings.	1-800-775-4322
GE Capital Mortgage Services Capital and mortgage products for lenders and borrowers.	1-800-844-6543
GE Capital Real Estate Financial Services for commercial property builders, developers, investors and syndications.	1-800-243-2222
GE Capital Modular Space Mobile and modular buildings for use at construction sites and for temporary office buildings.	1-800-523-7918
GE Capital Fleet Services Rental of commercial trucks and tractor/trailers.	1-800-243-2222
GE Commercial Service Program (GE Appliances) Service from factory-trained technicians for property managers.	1-800-626-8690
Genuine GE Parts (GE Appliances) GE Parts and Accessories.	1-800-851-6200





Making builders' lives easier.



- An industry-leading company committed to customer satisfaction.
- America's #1 preferred appliance brand.*
- A nationwide network of sales professionals and service technicians wholly dedicated to the builder community.

*GE is the appliance brand most often mentioned among the brands rated as offering the best products and services in America. Source: Louis Harris Poll – 2002



- 24-hour accessibility through award-winning technology
 - GECustomerNet.com
 - GESelectionCenter.com
 - GEAppliances.com
- GE Answer Center saves you time by providing answers on product features.



A Century of Quality and Innovation

For more than a century, GE has been committed to producing innovative products that change the way people live. The result of thorough research and rigorous testing, GE appliances are designed for years of dependable performance. Today, the GE tradition of quality and innovation continues.



GE Appliances

GE Consumer Products
General Electric Company
Louisville, Kentucky 40225
GEAppliances.com

Before purchasing an appliance, read important information about its estimated annual energy consumption or energy efficiency rating that is available from your retailer or GEAppliances.com

GE has a policy of continuous improvement of its products and reserves the right to change materials and specifications without notice.

© 2003 General Electric Company
Pub. No. 24-C263 PC34779

