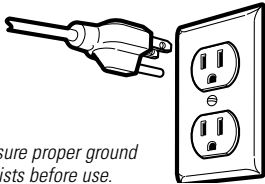


# ZSA1201RSS/ZSA1202RSS

## GE Monogram® 120 Above-the-Cooktop Advantium® Oven

### Dimensions and Installation Information (in inches)

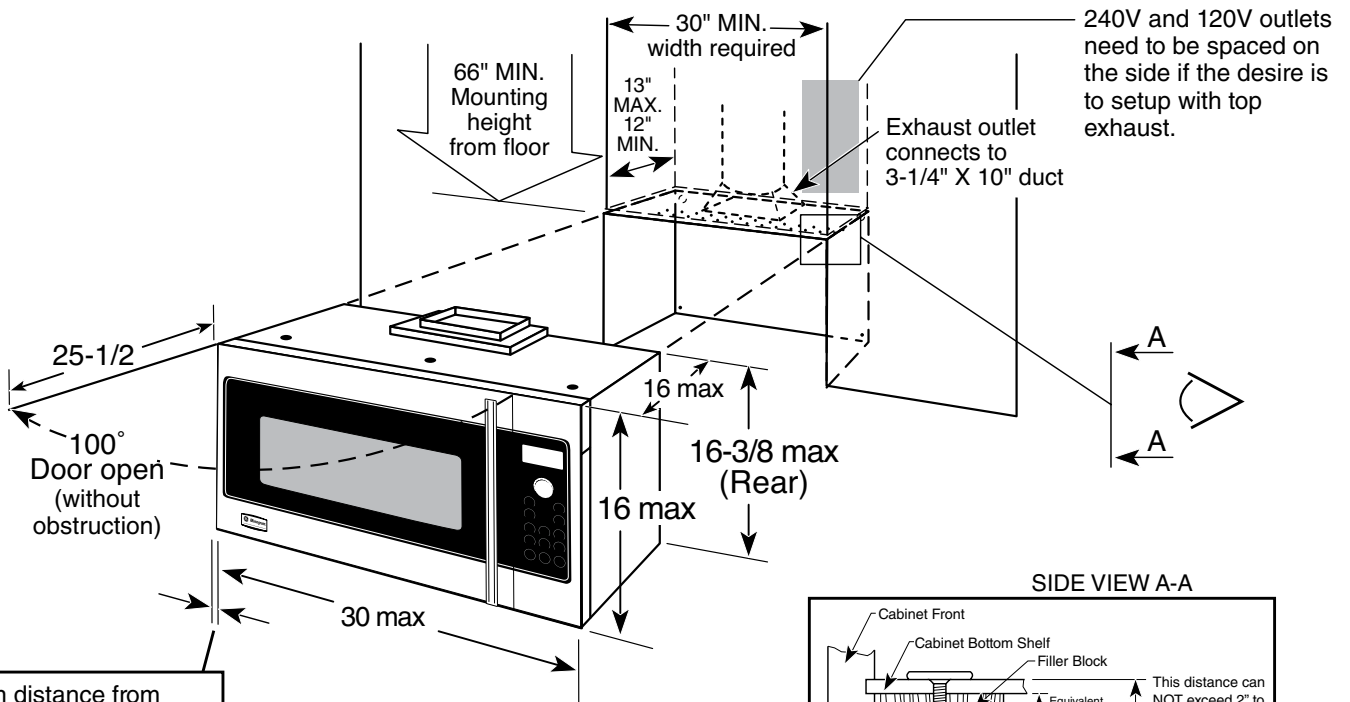
**IMPORTANT:** PLEASE READ CAREFULLY. FOR PERSONAL SAFETY, THIS APPLIANCE MUST BE PROPERLY GROUNDED TO AVOID SEVERE OR FATAL SHOCK.



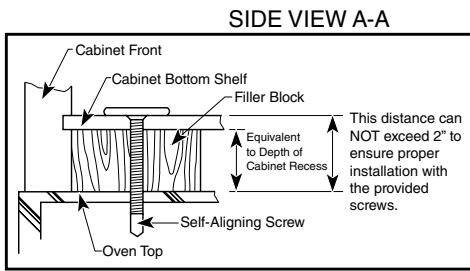
DO NOT, UNDER ANY CIRCUMSTANCES, CUT, DEFORM, OR REMOVE ANY OF THE PRONGS FROM THE POWER CORD. DO NOT USE WITH AN EXTENSION CORD.

NEMA 14-30R Wall Receptacle

**Installation Information:** This information is not intended to be used for installing unit described. Before installing, consult installation instructions packed with product/kit for current dimensional data.



Minimum distance from door hinge side to adjacent wall should equal 1/2-inch.



**Note:** Outside venting is optional. Vent (duct) can be horizontal or vertical.

For answers to your Monogram® Profile Series or GE appliance questions, visit our website at [geappliances.com](http://geappliances.com) or call GE Answer Center® service, 800.626.2000.



# ZSA1201RSS/ZSA1202RSS

## GE Monogram® 120 Above-the-Cooktop Advantium® Oven

### Dimensions and Installation Information (in inches)

#### Hood Exhaust Duct

Outside ventilation requires a HOOD EXHAUST DUCT. Read the following carefully.

#### EXHAUST CONNECTION:

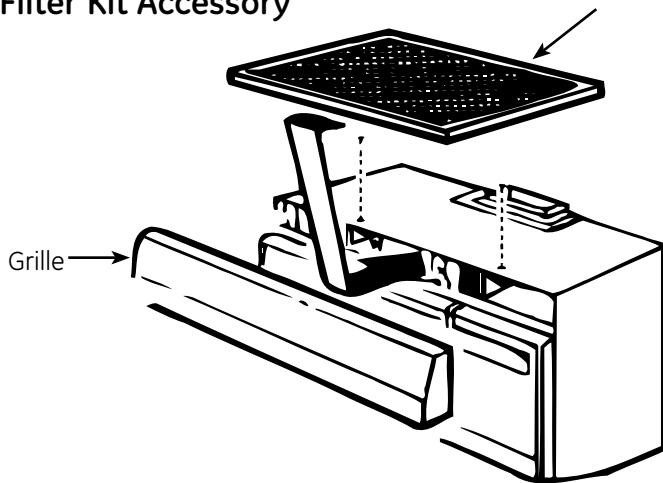
The hood exhaust has been designed to mate with a standard 3-1/4" x 10" rectangular duct.

If a round duct is required, a rectangular-to-round transition adaptor must be used. Do not use less than a 6" diameter duct.

#### REAR EXHAUST:

If a rear or horizontal exhaust is to be used, care should be taken to align exhaust with the space between studs, or wall should be prepared at the time it is constructed by leaving enough space between the wall studs to accommodate exhaust.

#### Filter Kit Accessory



#### Filter Kit

JX81D-Recirculating Charcoal Filter Kit

To be used when the Advantium oven cannot be vented to the outside.

#### MAXIMUM DUCT LENGTH:

For satisfactory air movement, the total duct length of 3-1/4" x 10" rectangular or 6" diameter round duct should not exceed 140 equivalent feet.

**ELBOWS, TRANSITIONS, WALL AND ROOF CAPS**, etc., present additional resistance to airflow and are equivalent to a section of straight duct which is longer than their actual physical size. When calculating the total duct length, add the equivalent length of all transitions and adaptors plus the length of all straight duct sections. The chart below shows the approximate feet of equivalent length of some typical ducts.

Duct	Equivalent
A. Rectangular-To-Round Transition Adaptor	5 Ft.
B. Wall Cap	40 Ft.
C. 90° Round Elbow	10 Ft.
D. 45° Round Elbow	5 Ft.
E. 90° Rectangular Elbow	25 Ft.
F. 45° Rectangular Elbow	5 Ft.
G. Roof Cap	24 Ft.

For answers to your Monogram,® Profile Series or GE appliance questions, visit our website at [geappliances.com](http://geappliances.com) or call GE Answer Center® service, 800.626.2000.



imagination at work



Listed by Underwriters Laboratories

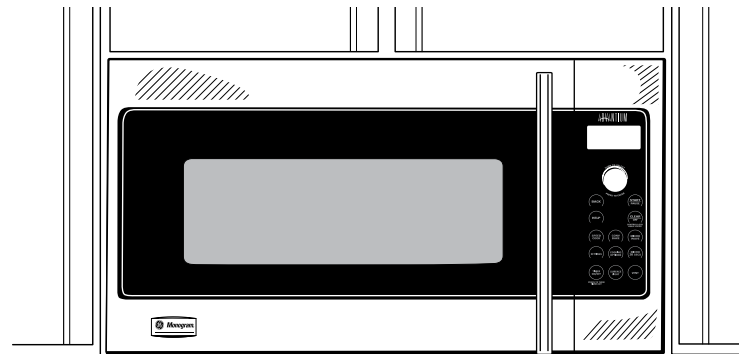
# ZSA1201RSS/ZSA1202RSS

## GE Monogram® 120 Above-the-Cooktop Advantium® Oven

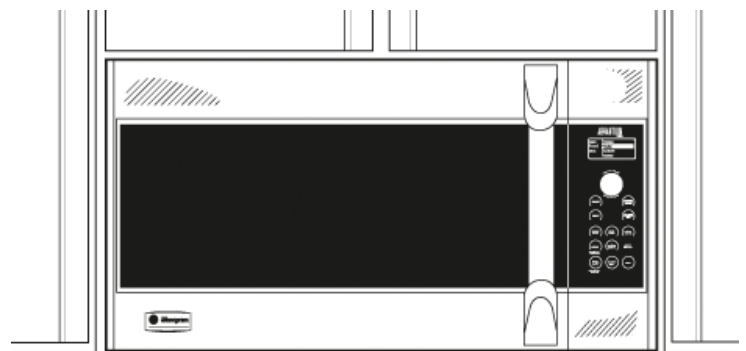
### Dimensions and Installation Information (in inches)

### Features and Benefits

- Speedcook technology uses halogen light to cook foods to delicious perfection—up to four times faster than a conventional oven—with no preheating required
- Four powerful ovens in one—Speedcook, true European, convection, sensor microwave and warming/proofing—offer the ultimate in cooking speed and versatility
- Easy-to-use-controls make it easy to select from more than 175 preprogrammed recipes
- Spacious interior with 13.6" turntable and two full-width oven racks easily accommodates a roast or three 8-1/2" x 11" casserole dishes
- Four-speed, 300-CFM venting system efficiently clears away smoke and steam from the cooktop
- Convenient task lighting provides three levels of illumination to suit your needs
- Flexible above-the-cooktop configuration makes the most of your kitchen space
- Sophisticated Styling – European-styled models make a singular architectural impression with sleek, horizontal lines set off by a tubular handle and stainless steel control knob
- Professional Styling - Professional models exude power with a premium-grade stainless steel exterior, chamfered edges and a die-cast control knob
- Model ZSA1201RSS – European-styled stainless steel
- Model ZSA1202RSS – Professional stainless steel



European



Professional

For answers to your Monogram,® Profile Series or GE appliance questions, visit our website at [geappliances.com](http://geappliances.com) or call GE Answer Center® service, 800.626.2000.



imagination at work