

# MONOGRAM 27" BUILT-IN 5-IN-1 OVEN WITH ADVANTIUM® TECHNOLOGY 120V

ZSB9122VSS



NOTE: Please refer to installation instructions for complete information on installation details and configuration options.

## THE STATMENT COLLECTION

Streamlined design and precisely machined metals create a contemporary yet functional aesthetic

## 5-IN-1 OVEN WITH ADVANTIUM™ TECHNOLOGY

Revolutionize your cooking experience with the Monogram 5-in-1 Oven, powered by Advantium Technology. This multifunctional appliance serves as a convection oven, toaster oven, warming/proofing oven, precision cook oven, and microwave—all in one sleek unit. Achieve restaurant-quality results with minimal effort, making every meal a culinary masterpiece.

## SPEEDCOOK MODES

Achieve oven-quality results two to eight times faster than a conventional oven as True European Convection, microwave energy and light work together to provide the exact amount and type of heat your food needs, precisely when it needs it

## IN-OVEN CAMERA

Stay connected to your culinary creations, no matter where you are. The built-in in-oven camera, accessible via the SmartHQ app, lets you monitor the progress of your dishes remotely, providing peace of mind and control at your fingertips.

## SPACIOUS INTERIOR

Designed for everyday convenience, the oven's generous 1.7 cu ft capacity easily fits a 9"x13" casserole dish on its turntable. This ample space allows for versatile cooking while keeping your countertops free from clutter.

## WIFI CONNECTED

Continuously improve your kitchen capabilities with over-the-air updates that ensure your appliance stays ahead of the curve, offering more functionality and features over time.

## 175 PREPROGRAMMED RECIPES

Explore endless culinary possibilities with over 175 pre-set food selections. The ability to add up to 30 custom recipes further personalizes your cooking experience, ensuring every dish is tailored to your taste.

## LCD TOUCHSCREEN CONTROL DISPLAY

The vibrant 7" LCD touchscreen provides an intuitive interface for selecting cooking modes, adjusting settings, and viewing recipes. Its sleek design adds a modern touch to your kitchen while enhancing usability.

## COOKWARE ACCESSORIES

Enhance your cooking versatility with a range of included accessories. The metal flat and grill trays are perfect for Speedcook, broil, toast, warm, and convection bake functions, while the wire rack allows for efficient two-level convection baking.

## SEAMLESS INSTALLATION

Achieve a sleek, built-in look with flexible installation options. The oven can be flush-installed in a standard 30" wall cabinet, seamlessly integrating into your kitchen's design.

## ENHANCED DAILY FUNCTIONALITY

Simplify your day with practical features designed for busy lifestyles. Steam cleaning, favorite settings, a kitchen timer, and countdown cook time make your culinary tasks more efficient and enjoyable.



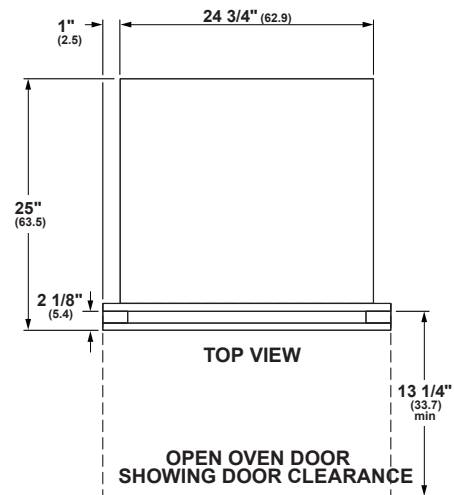
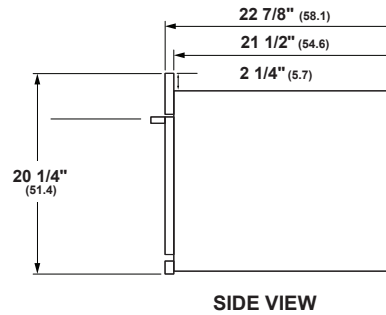
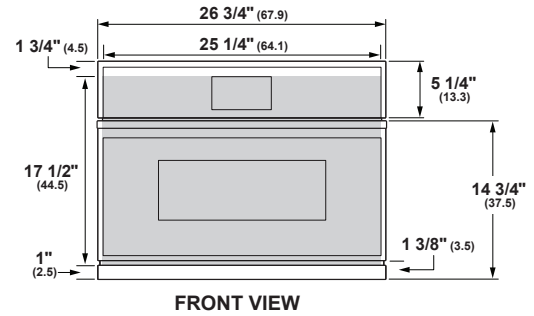
**SPECIFICATIONS**

Overall Width	26 3/4" (67.9 cm)
Overall Height	20 1/4" (51.4 cm)
Overall Depth (includes control panel thickness)	22 7/8" (58.1 cm)
Oven Door Clearance	13 1/4" (33.6 cm)
Overall Oven Interior Capacity	1.7 cu. ft.
Oven Interior Dimensions (W x H x D)	20 1/8" x 8 1/2" x 17" (51.3 cm x 21.6 cm x 43.2 cm)
Minimum Cabinet Width	27" (68.6 cm)
Minimum Cabinet Depth	23 1/2" (59.7 cm)
Minimum Base Support	130 lbs (59 kg)
Cutout Width	25 1/4" (64.1 cm)
Cutout Height	17 1/2" (44.5 cm)
Cutout Depth	23 1/2" (59.7 cm) Min
Volts/Hertz/Amps	120 VAC, 60 Hz, 15A
Power Cord Length	48" (121.9 cm)
Electrical Rating	1.8 kW at 120V
Shipping Weight	98.6 lbs (44.7 kg)

**ATTENTION ELECTRICIAN:**

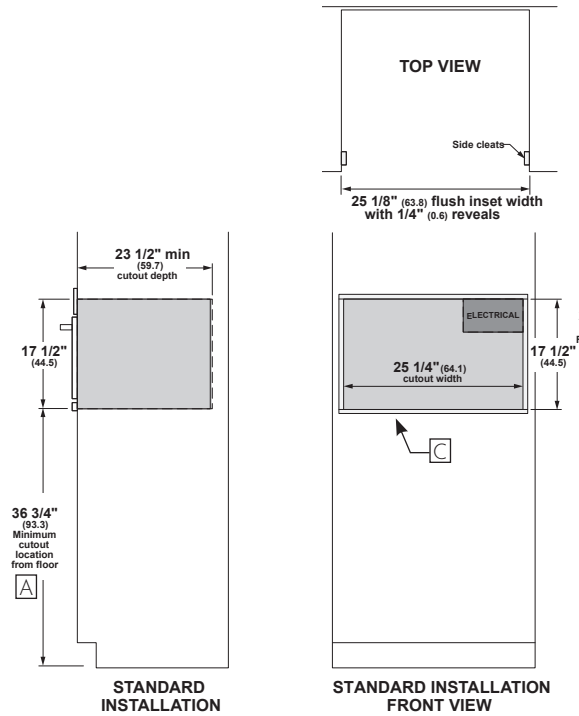
A 120V, 60Hz, 15 Amp circuit is required. An individual properly grounded branch circuit or circuit breaker is required. Hardware junction box is required for built-in product.

**OVERALL DIMENSIONS**



Dimensions in parentheses are in centimeters unless otherwise noted. Actual product dimensions may vary due to manufacturing tolerances.

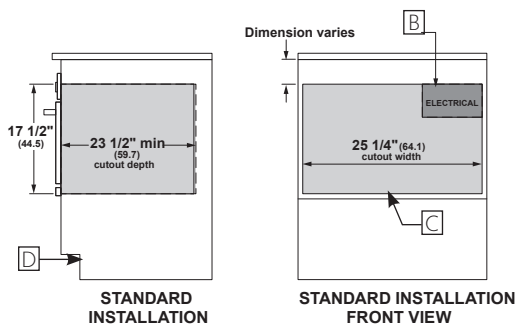
## WALL INSTALLATION



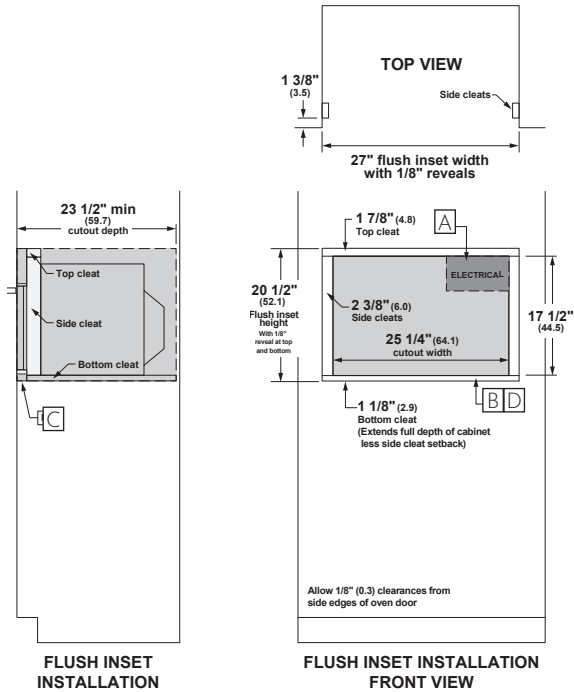
## HELPFUL TIPS

- [A] Based on a user height of 5' 6" to 5' 10"
- [B] Junction box location (May also be located in adjacent cabinet.)
- [C] Platform must be able to support cabinet load, weight of oven, and additional oven loads
- [D] Maximum toe kick height of 4" when installed beneath a certified cooktop.

## UNDERCOUNTER INSTALLATION



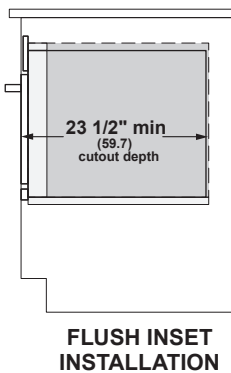
## WALL INSTALLATION



## HELPFUL TIPS

- A** Junction box location (May also be located in adjacent cabinet.)
- B** Platform must be able to support cabinet load, weight of oven, and additional oven loads
- C** Top surface of cabinet must be an appearance finished surface for flush installation.
- D** Cleats may be visible and should be finished to match cabinetry.

## UNDERCOUNTER INSTALLATION



For more details, refer to the installation instructions for this product on [Monogram.com](http://Monogram.com). Dimensions in parentheses are in centimeters unless otherwise noted.