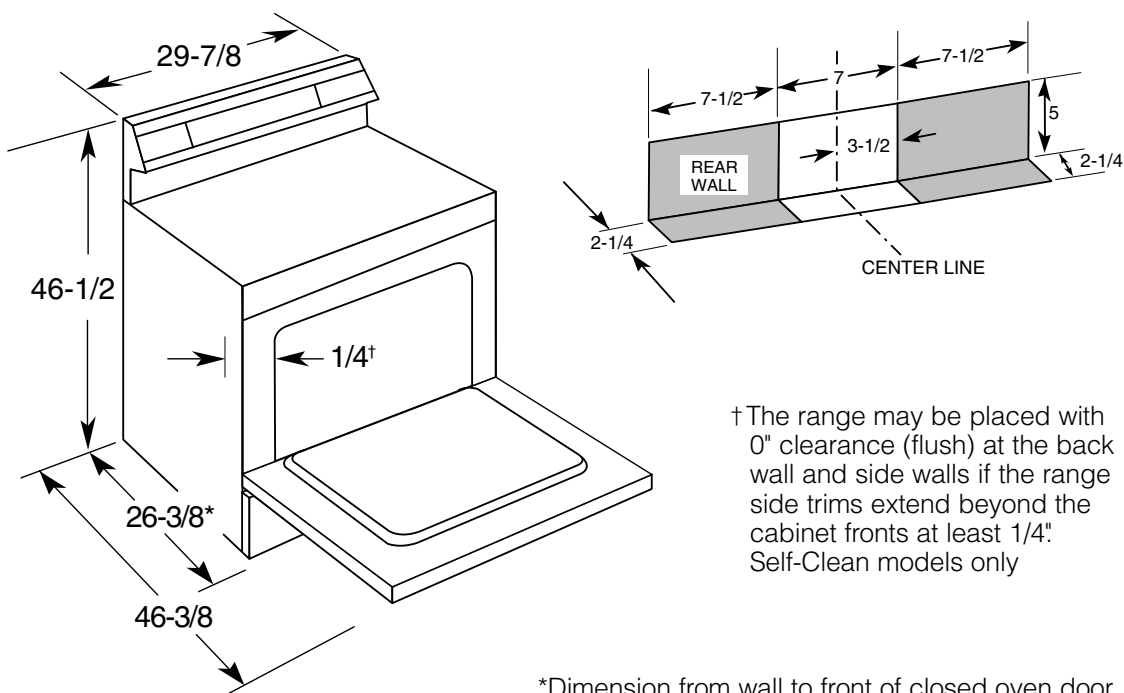


HOTPOINT

RB757BC - Hotpoint 30" Free-Standing Electric Range

Dimensions (in inches)



† The range may be placed with 0" clearance (flush) at the back wall and side walls if the range side trims extend beyond the cabinet fronts at least 1/4". Self-Clean models only

*Dimension from wall to front of closed oven door. Dimension from wall to the front of closed oven door handle is 28-1/2.

KW Rating	
240V	11.7
208V	8.8
Breaker Size	
40 Amps†	

†Note: Check local codes for required breaker size.

A properly grounded branch circuit with a 3 prong grounding type receptacle is required for Hotpoint ranges.

Note: 30" Electric Ranges conform to U.L. requirements for 0" spacing from walls below countertops. However some kitchen cabinet finishes can be damaged by heat from the range heating elements. It is recommended that a clearance of at least 1-1/2 inches be maintained to walls. Where varnished wood or plastic film finishes are used, a minimum clearance of 6 inches should be maintained.

Receptacle Locations: Locally approved flexible service cord or conduit must be used because terminals are not accessible after range installation. See shaded area in drawing for location of electrical outlet box. Recommended outlet locations allow range to be installed directly against rear wall.

Installation Information: Before installing, consult installation instructions packed with product for current dimensional data.



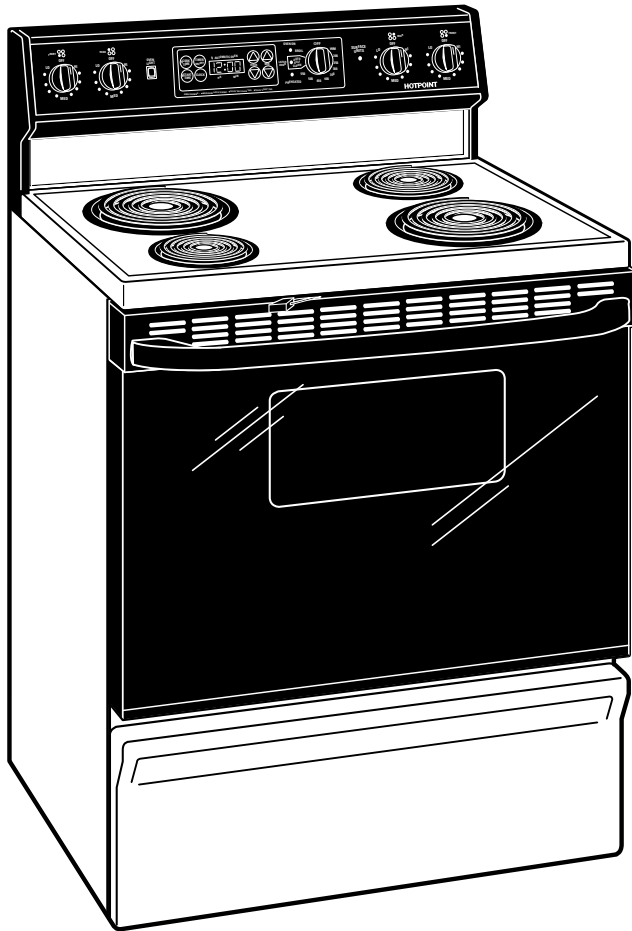
All Hotpoint ranges are equipped with an Anti-Tip device. The installation of this device is an important, required step in the installation of the range.



Listed by
Underwriters
Laboratories

HOTPOINT

RB757BC - Hotpoint 30" Free-Standing Electric Range



Features and Benefits

- 5.0 Cu. Ft. Self-Cleaning Oven
- Lift-Up Porcelain-Enameled Cooktop
- Two 8" and Two 6" Calrod™ Heating Elements
- Removable One-Piece Drip Bowls
- Auto Self-Clean with Variable Cleaning Time
- EasySet Electronic Oven Controls
- Electronic Digital Clock and Minute Timer
- Automatic Oven Timer
- 2 Oven Shelves
- Auto Oven Shut-Off
- Audible Preheat Signal
- Heating Element "On" Indicator Lights
- Broiler Pan with Grid
- Interior Oven Light
- Lift-Off Glass Oven Door with Window
- Full-Width Storage Drawer
- Designer-Style Handle
- Model RB757WCWW - White on white
- Model RB757BCWH - White
- Model RB757BCAD - Almond