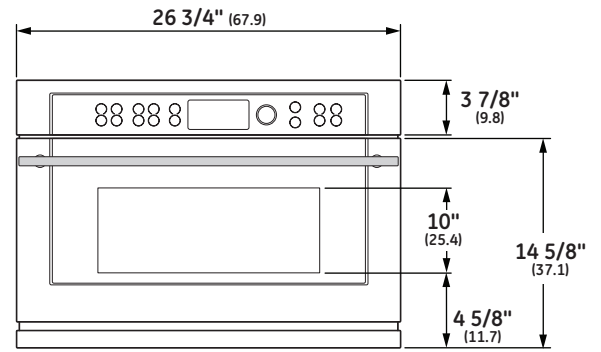
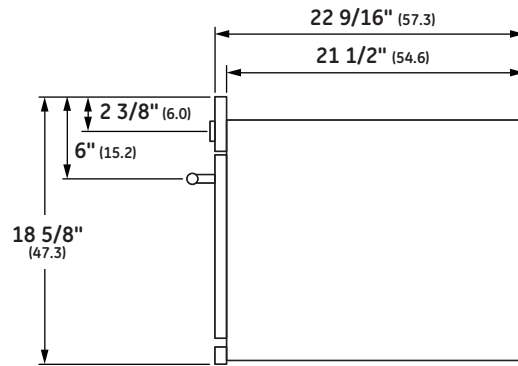




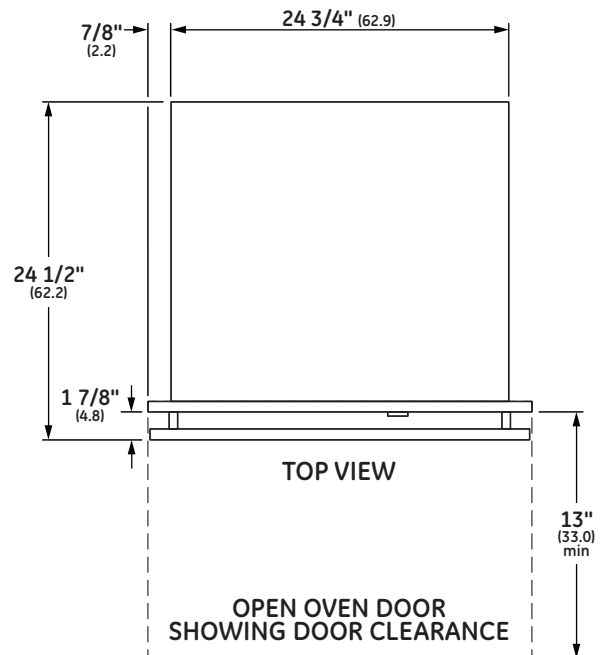
OVERALL DIMENSIONS



FRONT VIEW (SHOWING CUTOUT OVERLAP)



SIDE VIEW



TOP VIEW

OPEN OVEN DOOR
SHOWING DOOR CLEARANCE

SPECIFICATIONS

Overall Width	26 3/4" (67.9 cm)
Overall Height	18 5/8" (47.3 cm)
Overall Depth	21 1/2" (54.6 cm)
Oven Door Clearance	13" (33 cm)
Overall Oven Interior Capacity	1.6 cu. ft. (.05 cu. cm)
Oven Interior Dimensions (W x H x D)	20 1/4" x 8 1/2" x 17" (51.4 cm x 21.6 cm x 43.2 cm)
Minimum Cabinet Width	27" (68.6 cm)
Minimum Cabinet Depth	21 1/2" (54.6 cm)
Minimum Base Support	130 lbs (59 kg)
Cutout Width	25 1/4" (64.1 cm)
Cutout Height	17 1/2" (44.5 cm)
Cutout Depth	21 1/2" (54.6 cm) Min
Volts/Hertz/Amps	120 VAC, 60 Hz, 15A
Electrical Rating	1.8 kW at 120V
Shipping Weight	91 lbs (41.3 kg)

ATTENTION ELECTRICIAN:

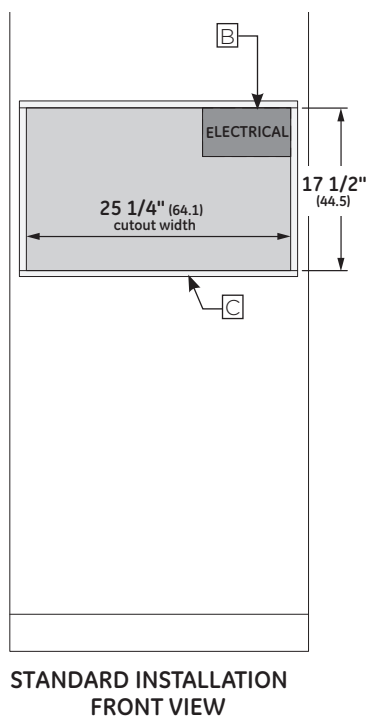
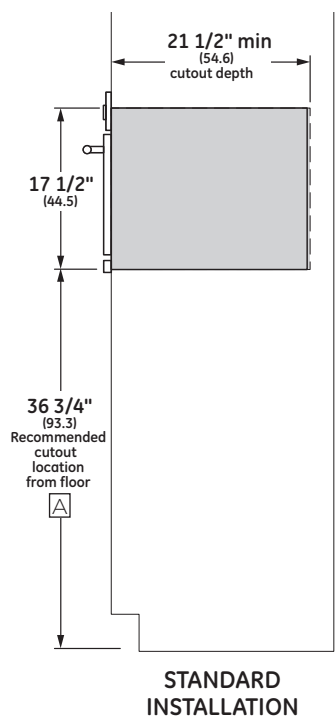
A 120V, 60Hz, 15 Amp circuit is required. An individual properly grounded branch circuit or circuit breaker is required. Hardware junction box is required for built-in product.

Dimensions in parentheses are in centimeters unless otherwise noted. Actual product dimensions may vary due to manufacturing tolerances.

ELEVATE EVERYTHING™



WALL INSTALLATION



NOTES

- A** Based on a user height of 5' 6" to 5' 10"
- B** Junction box location (May also be located in adjacent cabinet.)
- C** Platform must be able to support 130 lbs (59 kg)

For more details, refer to the installation instructions for this product on Monogram.com. Dimensions in parentheses are in centimeters unless otherwise noted.

FEATURES AND BENEFITS

SPEEDCOOK TECHNOLOGY - Halogen-light system speedcooks your favorite foods to delicious perfection—in minutes, with no preheating

SOPHISTICATED STYLING - Clean lines offer a stylish, modern look that coordinates beautifully with other Monogram built-in products

POWERFUL PERFORMANCE - Oven-quality foods cook up to four times faster than a conventional oven, with no preheating required

REMARKABLE VERSATILITY - Multiple cooking options create four ovens in one—Speedcook, true European convection, sensor microwave and warming ovens—to bake, broil, brown, roast, warm and proof foods

SPACIOUS INTERIOR - Rounded oven cavity and 16" turntable allow full and continual rotation of a 9" x 13" casserole dish; removable oven rack offers the convenience of multi-level cooking

INSTALLATION FLEXIBILITY - Ovens can be installed in a 27" or 30" wall cabinet (with trim kit)



ELEVATE EVERYTHING™

MONOGRAM