

HOTPOINT®

2003 Gas Ranges



For now. For the long run.

Gas Ranges

Hotpoint Capacity Plus™ gas ranges feature an extra-large oven capacity and are available in self-clean or standard-clean ovens. Select models feature sealed burners that provide both simmer capability and maximum output, an extra-large broiler pan and grid, six embossed rack positions and porcelain-enameled upswept cooktop.



Sealed gas burners

Special burner design helps contain spills and boiling-over liquids from dripping beneath cooktop for easy clean-up.



Simmer 600 burner

Offers true simmer capability with a low (600 BTU) setting. Provides low, even heat distribution for delicate foods and sauces.



Performance Plus burner

Provides maximum output (12,000 BTU) for faster boiling and to heat foods quickly.



EasySet clock and oven timer

Easy-to-use electronic touch pad controls and delayed baking function make cooking simple.



Capacity Plus™ gas ranges

Extra-large capacity with a sixth embossed rack position increases cooking flexibility.



One-piece upswept cooktop

Free from cracks or crevices that trap dirt. The porcelain enamel-on-steel surface wipes clean easily.



Extra-large broiler pan/grid

Porcelain-enameled broiler pan and grid are extra large and allow for additional broiling space.



Lift-up cooktop with easy-clean subtop

Standard burner models have a cooktop that lifts up for easy access to porcelain-enameled subtop. Twin rod supports allow cooktop to lift and lock into place. Free from pipes or wires that interfere with clean-up.

All features may not be available on all models.

CAPACITY PLUS™ 30" Free-Standing Gas Ranges

These models feature more usable oven capacity than any other leading manufacturers' brand; a sixth embossed rack position; extra-large broiler pan; porcelain-enameled upswept cooktop; interior oven light and electronic pilotless ignition.

RGB845WEC

- White on white model
- Extra-large, self-clean oven
- Sealed cooktop burners
- Simmer 600 burner
- Performance Plus burner
- Medium-cast steel grates
- In-oven broiling
- Frameless white glass oven door with Big View window
- EasySet III clock and oven timer
- Removable grey porcelain-enameled drip pans
- Storage drawer

RGB845BEC

- White model
- Same features as RGB845WEC, except has black control panel and black glass oven door.

RGB745WEA

- White on white model
- Extra-large, self-clean oven
- Sealed cooktop burners
- Simmer 600 burner
- Performance Plus burner
- Heavy-steel grates
- In-oven broiling
- Frameless white glass oven door with window
- EasySet III clock and oven timer
- Removable grey porcelain-enameled drip pans
- Storage drawer

RGB745BEA

- White or Bisque model
- Same features as RGB745WEA, except has black control panel and black glass oven door.



RGB845WEC
CAPACITY PLUS™



RGB845BEC
CAPACITY PLUS™



RGB745WEA
CAPACITY PLUS™



RGB745BEA
CAPACITY PLUS™

30" Gas Ranges

CAPACITY PLUS™ 30" Free-Standing Gas Ranges



These models feature an extra-large oven capacity; a sixth embossed rack position; extra-large broiler pan; porcelain-enameled, upswept cooktop; interior oven light; slide-out broiler drawer and electronic pilotless ignition.

RGB535BEA

- White or Bisque model
- Extra-large standard-clean oven
- Sealed cooktop burners
- Simmer 600 burner
- Performance Plus burner
- Heavy-steel grates
- Frameless black glass oven door with window
- Electronic clock/timer
- Removable black porcelain-enameled drip pans

RGB533WEA

- White on white model
- Extra-large standard-clean oven
- Sealed cooktop burners
- Simmer 600 burner
- Performance Plus burner
- Frameless white glass oven door with window
- Electronic clock/timer

RGB532BEA

- White or Bisque model
- Extra-large standard-clean oven
- Sealed cooktop burners
- Simmer 600 burner
- Performance Plus burner
- Frameless black glass oven door with window
- Electronic clock/timer

RGB528BEA

- White or Bisque model
- Extra-large standard-clean oven
- Frameless black glass oven door with window
- Electronic clock/timer
- Twin cooktop burners
- Lift-up cooktop

RGB528PEA

- White on white model
- Extra-large standard-clean oven
- White porcelain-enameled oven door with window
- Electronic clock/timer
- Twin cooktop burners
- Lift-up cooktop



RGB535BEA
CAPACITY PLUS™



RGB533WEA
CAPACITY PLUS™

30" Gas Ranges



RGB532BEA
CAPACITY PLUS™



RGB528BEA
CAPACITY PLUS™



RGB528PEA
CAPACITY PLUS™

30" Gas Ranges

CAPACITY PLUS™ 30" Free-Standing Gas Ranges

These models feature an extra-large standard oven; six embossed rack positions; twin cooktop burners and lift-up cooktop.

RGB526PEA

- White or Bisque model
- Extra-large standard-clean oven
- Color-matched porcelain-enameled oven door with window
- Electronic oven controls
- Slide-out broiler drawer
- Electronic pilotless ignition

RGB524PEA

- White or Bisque model
- Extra-large standard-clean oven
- Solid color-matched porcelain-enameled oven door
- Slide-out broiler drawer
- Electronic pilotless ignition

RGB524PPA

- White or Bisque model
- Same features as RGB524PEA, except with standing pilot ignition system.

RGB508PEA

- White or Bisque model
- Extra-large standard-clean oven
- Solid color-matched porcelain-enameled oven door
- Drop-down broiler door
- Electronic pilotless ignition

RGB508PPA

- White or Almond model
- Same features as RGB508PEA, except with standing pilot ignition system.



RGB526PEA
CAPACITY PLUS™



RGB524PEA/PPA
CAPACITY PLUS™



RGB508PEA/PPA
CAPACITY PLUS™

24" Compact Gas Ranges



RGA624EF/PF

RGA624EF

- White model
- Standard-clean oven
- Electronic pilotless ignition
- Porcelain-enameled oven door
- Recessed, lift-up cooktop
- Rectangular burner grates
- Push-to-turn controls
- 2 oven shelves
- Broiler drawer
- Broiler pan with grid

RGA624PF

- White model
- Same features as RGA624EF, except with standing-pilot ignition system.

20" Compact Gas Ranges



RGA620EF/PF

RGA620EF

- White model
- Standard-clean oven
- Electronic pilotless ignition
- Porcelain-enameled oven door
- Recessed, lift-up cooktop
- Rectangular burner grates
- Push-to-turn controls
- 2 oven shelves
- Broiler drawer
- Broiler pan with grid

RGA620PF

- White model
- Same features as RGA620EF, except with standing-pilot ignition system.

GE Profile™—High-Performance Hoods



JV666C

- 36" width
- Stainless steel
- Three-speed fan control plus boost
- Two halogen cooktop lights (50 watts each)
- Night-light setting
- Vertical or rear exhaust (350/400 CFM)
- 3-1/4" x 10" rectangular duct (convertible to 7" round duct)

JV665C (not shown)

- Same features and appearance as JV666C except available in White on white or Black on black.

JV635C

- 30" width
- White on white (shown), or Black on black
- Three-speed fan control plus boost
- Two halogen cooktop lights (50 watts each)
- Night-light setting
- Vertical or rear exhaust (350/400 CFM)
- 3-1/4" x 10" rectangular duct (convertible to 7" round duct)

JV636C (not shown)

- Same features and appearance as JV635C except Stainless steel.

GE Profile—Performance Hoods



JV565C

- 36" width
- White on white (shown), Bisque or Black on black
- Two-speed fan control
- 200 CFM (max.)
- Two halogen cooktop lights (50 watts each)
- Convertible exhaust options (7" round, rectangular or nonvented)
- Rectangular damper included

JV566C (not shown)

- Same features and appearance as JV565C except Stainless steel

JV535C (not shown)

- 30" width.
- White on white, Bisque on bisque, or Black on black

JV536C (not shown)

- 30" width
- Stainless steel

JXDA23 Round damper accessory available at additional cost. (Models JV666/665/636/635/566/565/536/535)

Optional charcoal filter accessory available

GE Deluxe Hoods



JV347H

- 30" width
- White on white (shown), Bisque on bisque or Black on black
- Rotary control
- Three-speed fan
- Convertible exhaust (shipped in non-vented configuration, convertible to 7" round or rectangular exhaust)
- Rectangular damper included

GE Standard Hoods



JV338H

- White or Bisque (not shown)
- 3-1/4" x 10" rectangular duct
- Rectangular damper included

JN327H (not shown)

- White, Bisque or Almond (not shown)
- Non-vented

JXDA22 round damper accessory, available at additional cost (Models JV347/338).

JXHC1 cord kit allows a receptacle in the cabinet over the range to accommodate either an over-the-range microwave oven or a standard hood.

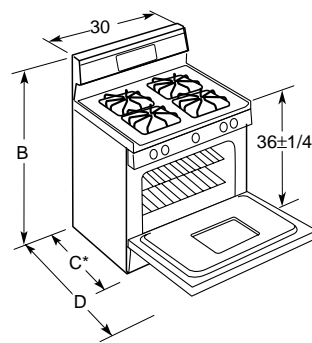
Light bulbs not included

Gas Range Specifications

30" CAPACITY PLUS™ Gas Ranges

	RGB845WEC RGB845BEC	RGB745WEA RGB745BEA	RGB535BEA	RGB533WEA	RGB532BEA	RGB528BEA RGB528PEA	RGB526PEA	RGB524PEA RGB524PPA	RGB508PEA RGB508PPA
Features									
Extra-large oven	Self-clean	Self-clean	Standard-Clean	Standard-Clean	Standard-Clean	Standard-Clean	Standard-Clean	Standard-Clean	Standard-Clean
Cooktop burners	Sealed	Sealed	Sealed	Sealed	Sealed	Twin	Twin	Twin	Twin
Performance Plus burner (Nat.)	(1) 12,000/1,000 BTU	(1) 12,000/1,000 BTU	(1) 12,000/1,000 BTU	(1) 12,000/1,000 BTU	(1) 12,000/1,000 BTU				
Simmer 600 burner (Nat.)	(1) 5,000/600 BTU	(1) 5,000/600 BTU	(1) 5,000/600 BTU	(1) 5,000/600 BTU	(1) 5,000/600 BTU				
All purpose sealed burners (Nat.)	(2) 9,500/850 BTU	(2) 9,500/850 BTU	(2) 9,500/850 BTU	(2) 9,500/850 BTU	(2) 9,500/850 BTU				
Oven controls	EasySet III	EasySet III	Electronic Clock/Timer	Electronic Clock/Timer	Electronic Clock/Timer	Electronic Clock/Timer	Electronic Clock/Timer	Knob	Knob
Automatic oven timer	Electronic	Electronic							
Porcelain-enameled cooktop	Upswept	Upswept	Upswept	Upswept	Upswept	Upswept	Upswept	•	•
Lift-up cooktop						•	•	•	•
Easy-clean subtop						•	•	•	•
Valves (degree of turn)	270°	270°	270°	270°	270°	140°	140°	140°	140°
Removable drip pans	Grey Porc.-Enam. Black Porc.-Enam.	Grey Porc.-Enam. Black Porc.-Enam.	Black Porc.-Enam.	Opt. Access.	Black Porc.-Enam.	Opt. Access.	Opt. Access.	Opt. Access.	Opt. Access.
Removable square grates	Grey Medium-cast Black Medium-cast	Grey Heavy-steel Black Heavy-steel	Black Heavy-steel	Grey	Black	Black Grey	Black	Black	Black
Ignition system	Electronic	Electronic	Electronic	Electronic	Electronic	Electronic	Electronic	Electronic Pilot	Electronic Pilot
Oven shelves	2	2	2	2	2	2	2	2	2
Six embossed rack positions	•	•	•	•	•	•	•	•	•
Interior oven light	•	•	•	•	•	•	•	•	•
In-oven broiling	•	•	•	•	•	•	•	•	•
Slide-out broiler drawer			•	•	•	•	•	•	Drop down door
Removable storage drawer	•	•							
Appearance									
Color appearance*	WW WH	WW WH/CT	WH/CT	WW	WH/CT	WH/CT WW	WH/CT	WH/CT WH/CT	WH/CT WH/AD
Frameless oven door	Big View	White Glass Black Glass	Black Glass	White Glass	Black Glass	Black Glass White Porc.-Enam.	CM Porc.-Enam.	Solid CM Porc.-Enam.	Solid CM Porc.-Enam.
Oven door with window	•	•	•	•	•	•	•	•	•
Handle style	Designer-style	Designer-style	Designer-style	Designer-style	Designer-style	Designer-style Visor	Visor	Visor	Visor
Removable oven door	•	•	•	•	•	•	•	•	•
Weights and Dimensions									
Overall oven interior dimensions (WxHxD in inches)	← 24x17x19 →								
Approx. shipping weight (lbs.)	185	185	185	185	185	165	165	147	166
Power/Ratings									
Gas range electrical rating**	← 120V, 60 Hz, 5A →								
Top burners† (000's BTU)			(1)-12.0/9.5 (1)-5.0/3.5 (2)-9.5/7.0					9.0/8.0	
Oven/broiler burners† (000's BTU)	← 16.0/16.0 - Oven 13.5/12.0 - Broil →						18.0/16.5		
Accessories									
LP conversion kit	•	•	•	•	•	•	•	•	•

*WW=White with white glass door, WH=White with black glass door, CT=Bisque with black glass door, AD=Almond with black glass door, CM=Indicates color of oven door matches range cooktop (either White, Almond or Bisque)
 **Electrical rating not applicable to standing pilot models RGB524PPA/RGB508PPA
 †Factory set for natural gas.



30" gas range dimensions (in inches)

Models	B Height	C* Depth	D Depth with door open
RGB845WEC	46-1/2	26-1/4	46-3/8
RGB845BEC	46-1/2	26-1/4	46-3/8
RGB745WEA	46-1/2	26-1/4	46-3/8
RGB745BEA	46-1/2	26-1/4	46-3/8
RGB535BEA	46-1/2	26-1/4	46-3/8
RGB533WEA	46-1/2	26-1/4	46-3/8
RGB532BEA	46-1/2	26-1/4	46-3/8
RGB528BEA	46-1/2	26-1/4	46-3/8
RGB528PEA	46-1/2	26-1/2	46-3/8
RGB526PEA	46-1/2	26-1/2	46-3/8
RGB524PEA/PPA	44	26-1/2	46-3/8
RGB508PEA/PPA	39-7/8	26-1/2	46-3/8

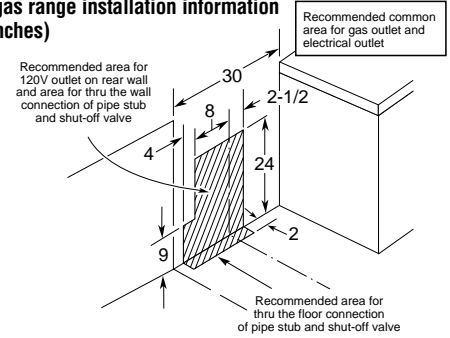
*Depth from wall to front of closed oven door.

Optional gas range accessory drip pans (Available at additional cost)

To order these accessory drip pans, call toll-free 800-626-2002.

Installation information: Before installing, consult installation instructions packed with product for current dimensional data.

30" gas range installation information (in inches)



All Hotpoint ranges are equipped with an Anti-Tip device. The installation of this device is an important, required step in the installation of the range.



Gas Range Specifications

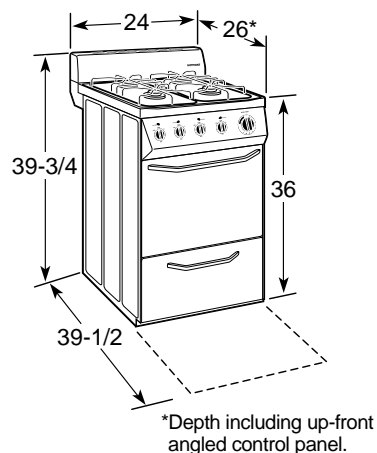
Hotpoint 24" and 20" Gas Ranges	24" range RGA624EF/PF	20" range RGA620EF/PF
Features		
Oven cleaning	Standard	Standard
Oven shelves	2	2
Recessed lift-up cooktop	●	●
Porcelain-enameled subtop	●	●
Rectangular grates	●	●
Ignition system	Electronic/Pilot	Electronic/Pilot
Push-to-turn controls	●	●
Broiler pan with grid	●	●
Separate broiler drawer (with tip down door)	●	●
Appearance		
Color appearance*	WH	WH
Porcelain-enameled oven door	Solid color-matched	Solid color-matched
Removable oven door	●	●
Four leveling legs	●	●
Weights and Dimensions		
Overall oven interior dimensions (WxHxD in inches)	19 x 14 x 19	14-7/8 x 16 x 19-1/2
Burner BTU:		
Top (Nat/LP)	9,000/8,000	9,000/8,000
Oven (Nat/LP)	18,000/18,000	18,000/18,000
Gas range electrical rating**	120V, 60 Hz, 5A	120V, 60 Hz, 5A
Approx. ship. wt. (lbs.)	140	129

*WH=White with color-matched door

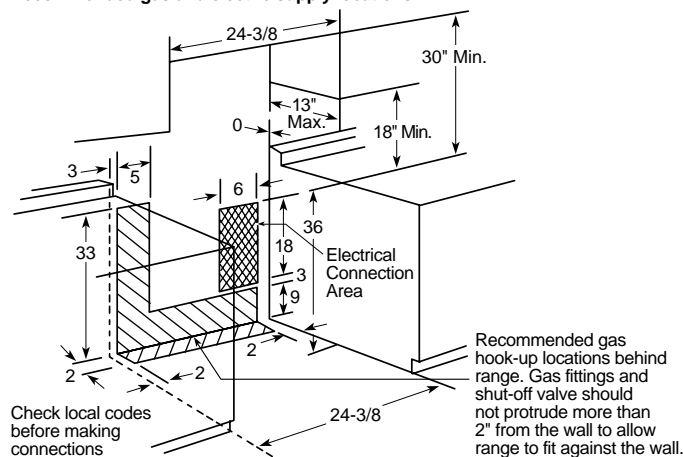
Factory set for natural gas. Can be converted to LP by a qualified technician.

**Electrical rating not applicable to standing pilot model RGA624PW and RGA620PW.

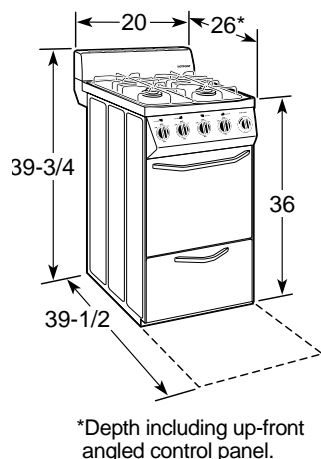
24" gas range dimensions and installation information (in inches)



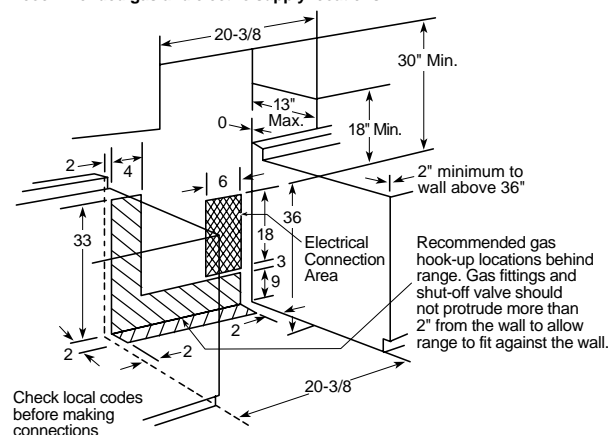
Recommended gas and electric supply locations.



20" gas range dimensions and installation information (in inches)



Recommended gas and electric supply locations.



All Hotpoint ranges are equipped with an Anti-Tip device. The installation of this device is an important, required step in the installation of the range.



Installation information: Before installing, consult installation instructions packed with product for current dimensional data.

Hoods	GE Profile™						GE®			
	Width	High-Performance				Performance		Deluxe	Standard	
		30"		JV636C	JV635C	JV536C	JV535C	JV347H	JV338H	JN327H
	36"	JV666C	JV665C			JV566C	JV565C			
Features										
Two-speed fan control					●	●		●	●	
Three-speed fan control	With boost	With boost	With boost	With boost			●			
Vertical exhaust (CFM)	350	350	350	350	190	190	200	170		
Rear exhaust (CFM)	400	400	400	400	200	200	180	160		
Damper included (rectangular)	●	●	●	●	●	●	●	●		
Optional damper accessory (round)	JXDA23	JXDA23	JXDA23	JXDA23	JXDA23	JXDA23	JXDA22	JXDA22		
Sones rating:										
Top exhaust	4.0/7.0*	4.0/7.0*	4.0/7.0*	4.0/7.0*	4.0	4.0	6.0	5.5		
Rear exhaust	4.0/7.0*	4.0/7.0*	4.0/7.7*	4.0/7.7*	4.0	4.0	7.0	7.0		
Removable grease filters	2†	2†	2†	2†	2††	2††	Disposable 1-Pc. Filter†††	1†††	Disposable 1-Pc. Filter†††	
Filter size (sq. in.)	207	207	171	171	171/207	171/207	90	90	90	
Cooktop light(s)**	2 Halogen (50 watt)	2 Halogen (50 watt)	2 Halogen (50 watt)	2 Halogen (50 watt)	2 Halogen (50 watt)	2 Halogen (50 watt)	1	1	1	
Night light position on light switch	●	●	●	●	●	●				
3-1/4" x 10" rectangular duct	●	●	●	●	●	●	●	●		
7" round duct	●	●	●	●	●	●	●	●		
Non-vented					●	●				●
Silverstone underside coating	●	●	●	●						
Appearance										
Color appearance***	SS	WW/BB	SS	WW/BB	SS	WW/CC/BB	WW/CC/BB	WW/CC	WW/CC/AA	
Weights & Dimensions										
Approx. shipping weight (lbs.)	35	35	30	30	30	30	20	17	19	
Power/Ratings										
Current rating amps @ 120V	2.5	2.5	2.5	2.5	1.4	1.4	2.5	2.5	2.5	

*Top exhaust soles rating when in boost mode.

**Light bulbs not furnished.

***SS = Stainless steel, WW = White on white, CC = Bisque on bisque, BB = Black on black, W = White, C = Bisque, A = Almond.

†WB02X10713 (30") or WB02X10710 (36") removable grease filter is available for additional cost. Call toll-free 800.626.2002 (Models JV666/665 and JV636/635).

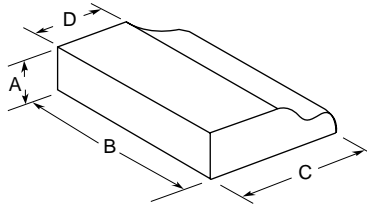
††WB02X10709 (30") or WB02X10706 (36") removable grease filter and WB02X10707 (30") or WB02X10708 (36") removable charcoal filter are available for additional cost.

Call toll-free 800.626.2002 (Models JV566/565 and JV536/535).

†††WB02X9381 replacement grease filter and WB02X10700 replacement charcoal filter are available for additional cost. Call toll-free 800.626.2002 (Models JV347/338 and JN327).

Dimensions (in inches)

Model	A	B	C	D
JV666/JV665	7-1/4	35-7/8	20	12
JV636/JV635	7-1/4	29-7/8	20	12
JV536/JV535	7-1/4	29-7/8	20	12
JV566/JV565	7-1/4	35-7/8	20	12
JV347	5-1/2	29-7/8	17-1/2	12
JV338	5-1/2	29-7/8	17-1/2	12
JN327	5-1/2	29-7/8	17-1/2	12



JXHC1 Cord Kit

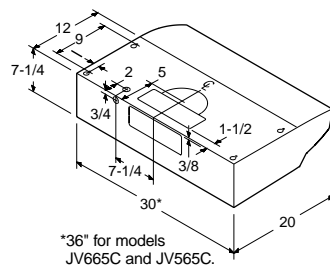
Allows a receptacle in the cabinet over the range to accommodate either an over-the-range microwave oven or a standard hood.

Hood Dimensions (in inches)

1 Models JV666C, JV665C, JV636C, JV635C, JV536C, JV535C, JV566C and JV565C

Exhaust outlet connects to 3-1/4" x 10" duct (vertically or horizontally) and 7" round (vertically). Includes rectangular damper and 7" round damper adapter.

Round damper accessory, JXDA23 available at additional cost.

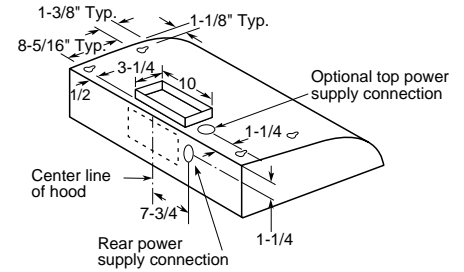


*36" for models JV665C and JV565C.

2 Models JV347H* and JV338H

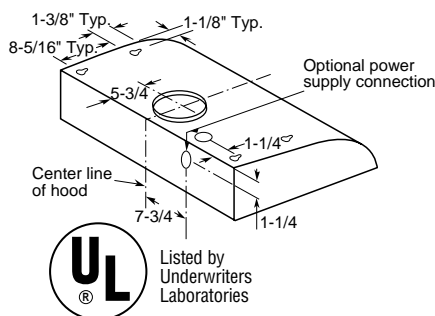
*JV347H—Refer to this drawing for rectangular exhaust option. Refer to drawing 3 for round exhaust option.

Exhaust outlet connects to 3-1/4" x 10" rectangular duct. Vent top or rear. Includes rectangular damper.



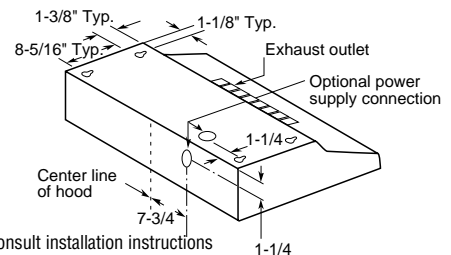
3 Models JV347H*

*JV347H—Refer to this drawing for round exhaust option. Refer to drawing 2 for rectangular exhaust option. Exhaust outlet connects to 7" diameter duct. Vent top only. Round damper accessory, JXDA22, available at additional cost.



4 Model JN327H

Note: Before installing, consult installation instructions packed with product for current dimensional data.



Consumer Services

Hotpoint offers performance, versatility and cleanability features to meet your every need.



Performance Plus burner

Provides maximum output (12,000 BTU) for faster boiling and quicker heat-up times.



Capacity Plus™ gas ranges

Sixth embossed rack position increases cooking flexibility.



Sealed gas burners

Special burner design helps contain spills and boiling-over liquids from dripping beneath cooktop. Makes clean-up easy!

Not all features available on all models

Visit us at hotpoint.com



We're surfer-friendly!

Our comprehensive Web Site provides you with virtually everything you need to know about Hotpoint® appliances, parts, accessories and service. And, it's also surfer-friendly, so your searches won't be endless—they'll be effortless!



The GE Answer Center® Information Service 800.626.2000 (GEAppliances.com)

Questions? Call any time.

Before or after you buy any GE or Hotpoint product, ask us about the features, product comparisons, pricing and where to find it. Call us any time. We never close.

Industry-leading support—

GE Genuine Parts 800.626.2002

Enhance, upgrade or fix it. Check out our accessories!

Accessories can make great GE or Hotpoint products even better. Replacement parts for GE, Hotpoint and most other brands, too. Fast delivery, convenient, direct.

GE Appliance Service 800.432.2737 (800.GE.CARES)

Same day or next day service.

If you ever need product service, we'll come where and when you want—at your convenience. We're the largest manufacturer-owned service organization in the appliance industry. Same or next day service in most cases.

HOTPOINT®