

GTW180SCJ

GE Appliances 3.6 DOE cu. ft. capacity Extra Action basket

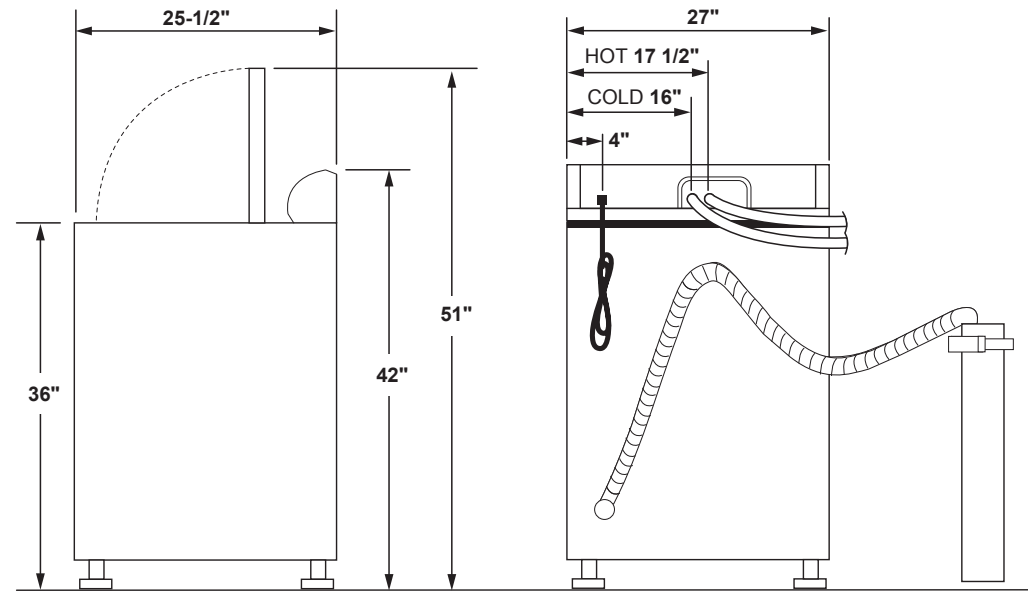
DIMENSIONS AND INSTALLATION INFORMATION (IN INCHES)

CIRCUIT REQUIREMENTS: An individual, properly-grounded branch circuit, with a three-prong grounding-type receptacle, protected by a 15 or 20 amp circuit breaker or a time-delay fuse, is required.

ELECTRICAL RATING: 115V, 60Hz, 10A

NOTE: Washer wall outlet must be located within 36" of service code entry. Wall outlet must not be located behind dryer.

INSTALLATION INFORMATION: Before installing, consult installation instructions packed with product for current dimensional data.



Side View

Rear View



For answers to your Monogram, GE Café™ Series, GE Profile™ Series or GE Appliances product questions, visit our website at geappliances.com or call GE Answer Center® Service, 800.626.2000.



Specification Revised 5/16

GTW180SCJ

GE Appliances 3.6 DOE cu. ft. capacity Extra Action basket

FEATURES AND BENEFITS

Dual-action agitator – Powerful reversing wash action rotates your laundry for a thorough clean every time

Extra Action ribbed basket – Removes more moisture than smooth baskets

Rotary electromechanical controls – Make it simple to set cycles

12 wash cycles – Multiple cycles are designed to specifically handle various fabrics and soils

4 water levels – Allows user to match the water level to each load of wash

Bleach and fabric softener dispenserse – Automatically operate with wash cycle

Deep water rinse – Optional deep rinse ensures clothes are rinsed of soap residue and fabric softener

630-RPM spin speed – Fast spin speeds remove water efficiently and minimize dry times

Inlet fill hoses included

Model GTW180SCJWW – White on white

