

# MONOGRAM WINE RESERVE

ZDWR240NBS



When ordering this product, be sure to use the model number associated with the chosen handle.



Statement handle  
ZXGWIH1PPSS

Minimalist handle  
ZXGWIH1CPSS

## MINIMALIST HANDLE

Model is shown with the Minimalist handle, which needs to be ordered separately. To order this handle use model number ZXGWIH1CPSS.



## DIGITAL TOUCH CONTROLS

Provides precise temperature settings essential for aging or serving wine, and an LED display allows easy viewing of temperatures

## STATEMENT AND MINIMALIST COLLECTION REFRIGERATOR HANDLES (SOLD SEPARATELY)

Designed to enhance choice and customization, Statement and Minimalist Collection refrigerators do not come with handles. Handles must be chosen separately and ordered through a Monogram representative

## FULL-EXTENSION SLIDING WINE RACKS

Holds up to 57 bottles positioned either horizontally or vertically to maximize space and can be removed for larger bottles

## UV RESISTANT, TEMPERED GLASS DOOR

Affords a full view of wine reserve contents while protecting what is inside

## SOFT INTERIOR LED LIGHTING

Automatically illuminates when the door is open, but can be activated by an internal on/off switch

## CONVENIENT 24" CONFIGURATION

Is fully finished on all sides to allow installation virtually anywhere in the home

## FLUSH INSTALLATION CAPABLE

## REVERSIBLE DOOR SWING

Easily reversed to left or right door swing as needed

## SABBATH MODE

Designed to disable functions in accordance with Sabbath-observing practices



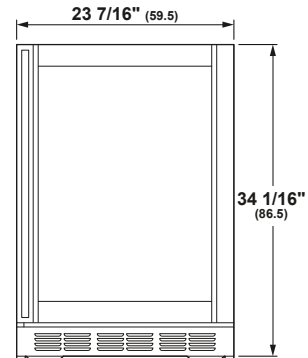
### SPECIFICATIONS

Overall Width	23 7/16" (59.5 cm)
Overall Height	34 1/16" (86.5 cm)
Overall Depth	23 3/8" (59.4 cm)
Door Clearance	9 5/16" (23.6 cm) @ 110° 2" (5.1 cm) @ 90° 23 1/4" (59.1 cm) door length
Overall Capacity	5.5 cu. ft.
Minimum Cabinet Width	24" (61.0 cm)
Minimum Cabinet Depth	24" (61.0 cm)
Cutout Width	23 7/8" (60.6 cm)
Cutout Height	34 1/2" (87.6 cm) Min 35" (88.9 cm) Max
Electrical Requirements	1.2 A
Voltz/Hertz/Amps	120 V, 60 Hz, 15 or 20 amp circuit
Shipping Weight	162 lb (73.5 kg)

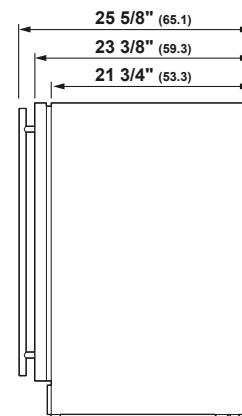
### ATTENTION ELECTRICIAN:

A 115 volt 60Hz, 15 or 20 amp power supply is required. An individual properly grounded branch circuit or circuit breaker is recommended. Install a properly grounded 3-prong electrical receptacle recessed into the back wall.

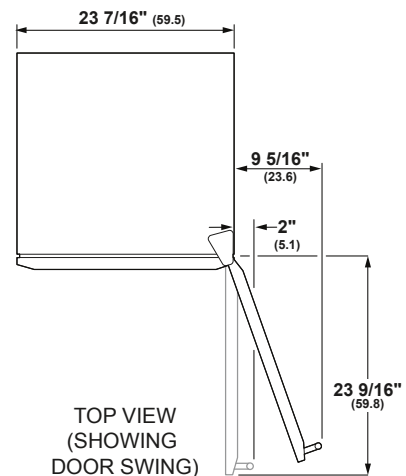
### OVERALL DIMENSIONS



FRONT VIEW



SIDE VIEW

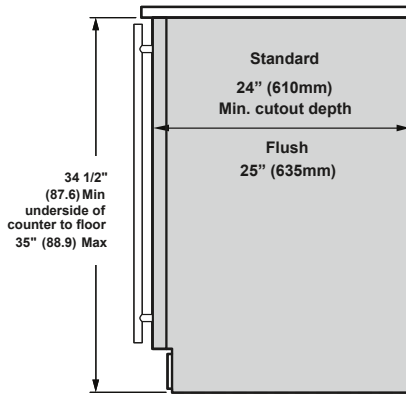


TOP VIEW  
(SHOWING  
DOOR SWING)

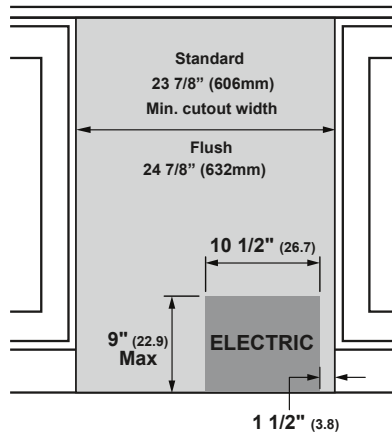
Dimensions in parentheses are in centimeters unless otherwise noted. Actual product dimensions may vary due to manufacturing tolerances.

## INSTALLATION

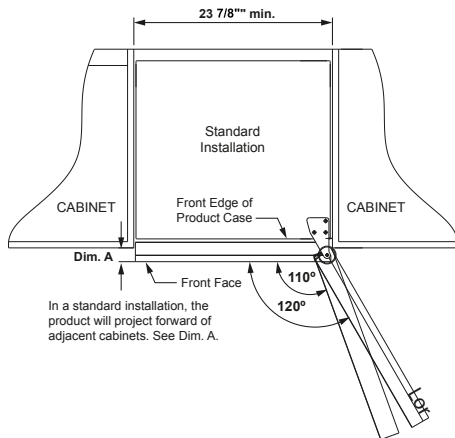
### INSTALLATION CUTOUT SIDE VIEW



### INSTALLATION CUTOUT FRONT VIEW

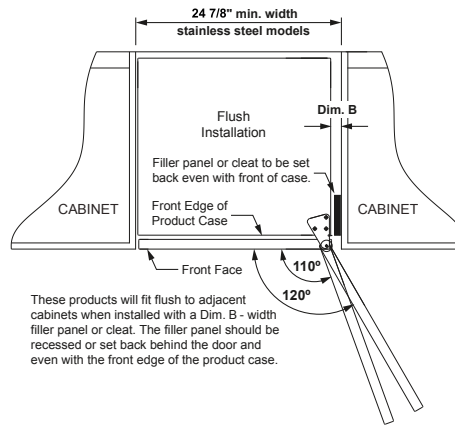


### REFRIGERATION MODULES, TOP VIEW



PRODUCT  
ZDWR240

DIM. A  
1"



PRODUCT  
ZDWR240

DIM. B  
1 1/8"

## NOTES

Please see **Installation Instructions** for detailed instructions and information

- **Installation Space**  
This module can be installed beneath a countertop or can be freestanding.
- For a standard installation of stainless steel unit: The product must be installed so that the front face will project 1" forward of adjacent cabinets.
- For a flush installation of stainless steel unit: Install a 1 1/8" wide filler strip on the hinge side. The width of the opening must be 24 7/8" min. wide. See installation instructions for details.
- **Location Requirements:** All Monogram Refrigeration Modules may be closed in on the top and sides as long as the front is unobstructed for air circulation and door swing.
- Do not install these products where the temperatures will go below 55° F (13 C) or above 90° F (32 C).
- Products must operate from separate properly grounded receptacles.
- These products are not designed to be stacked one over the other. See installation instructions for side-by-side information.