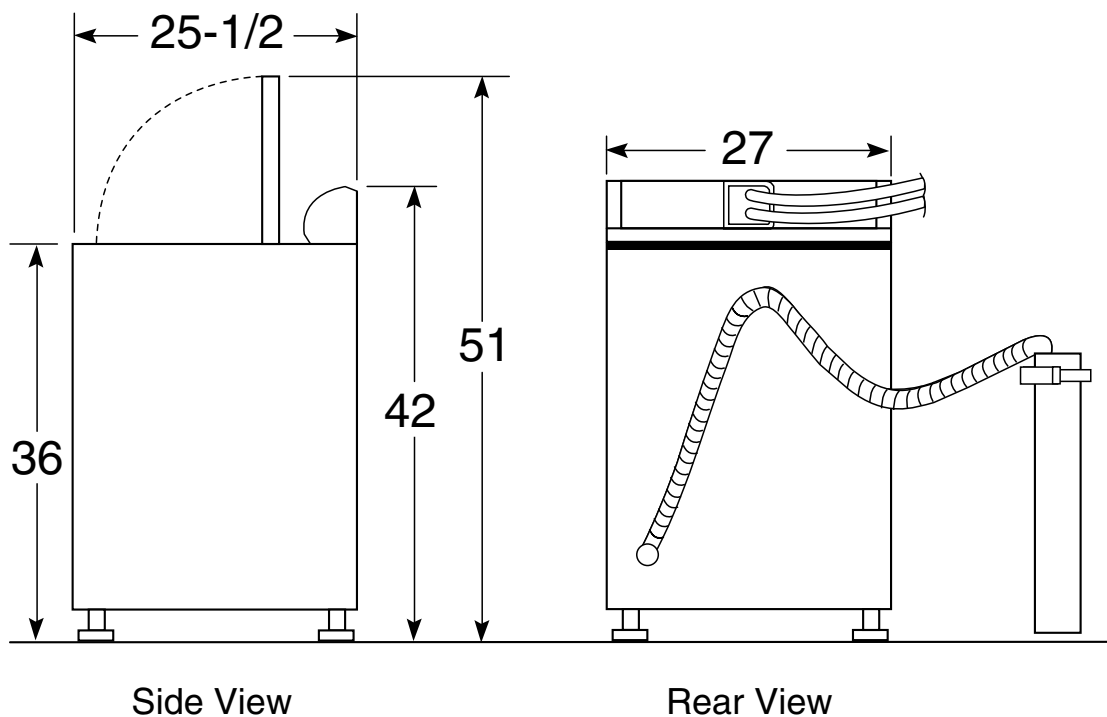


HOTPOINT®

VWSR4160G– Hotpoint 3.2 Cu. Ft. Super Capacity Washer

Washer Dimensions (in inches)



Circuit Requirements: An individual, properly-grounded branch circuit, with a three-prong grounding-type receptacle, protected by a 15 or 20 amp circuit breaker or a time-delay fuse, is required.

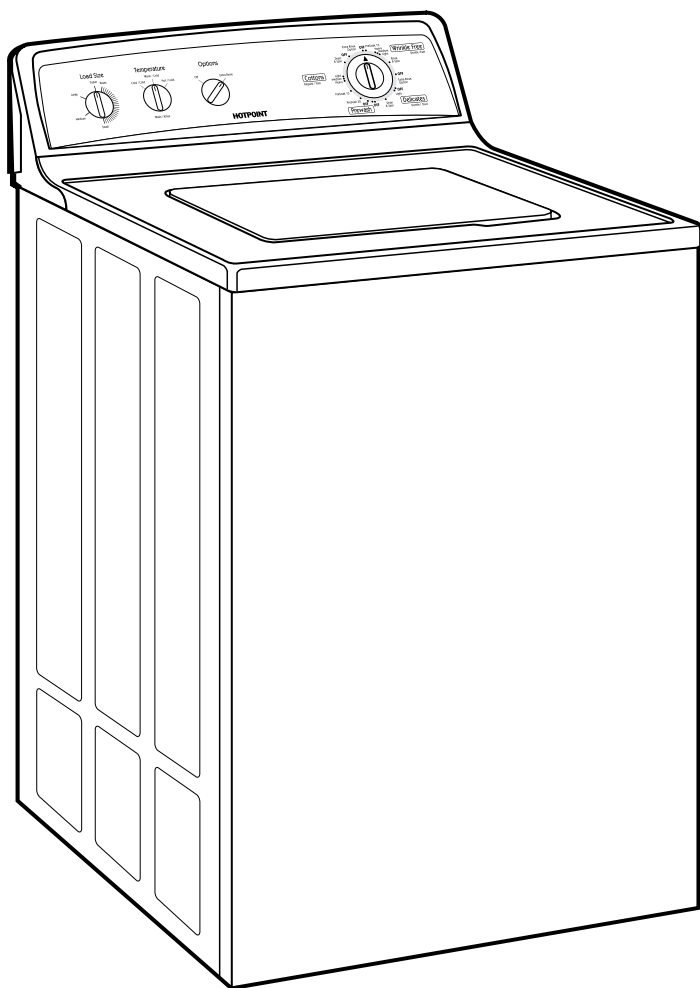
Electrical Rating: 115V, 60Hz, 10 Amps

Installation Information: Before installing, consult installation instructions packed with product for current dimensional data.

Washer Note: Washer wall outlet must be located within 36" of service cord entry. Wall outlet must not be located behind dryer.

HOTPOINT®

VWSR4160G – Hotpoint 3.2 Cu. Ft. Super Capacity Washer



Features and Benefits

- 3.2 Cu. Ft. Super PermaTuf® II Wash Basket - Designed to maintain a long-lasting stain-free appearance with bright white interior
- HydroWave™ Wash System - Has variable speeds to match action to the clothing type. Longer, slower travel through the water improves cleaning performance and is gentler on your clothes
- Four Wash/Spin Speed Combinations - Speeds vary according to fabric type for better clothes care
- 15 Wash Cycles - Fabric-specific settings, from Cottons to Easy-Care Colors
- Three Wash/Rinse Temperatures - Offer better wash results and longer fabric life
- Four Water Levels - Minimize water waste
- GentlePower™ Agitator - Provides gentle, yet effective washing action
- Rotary Electromechanical Controls - Allow fast, easy cycle selection
- Bleach and Fabric Softener Dispensers - Solutions are automatically mixed with wash water for bright, soft-to-the-touch results
- Model VWSR4160GWW – White on white