

GVMB14S4WSS

1.4 Cu. Ft. Over-the-Range Sensor Microwave Oven

Dimensions and Installation Information (in inches)

Note: Requires 120V grounded outlet. Electrical receptacle must be located in cabinet above microwave oven. No additional wiring, venting or cabinet rebuilding necessary in many cases. Complete, detailed, easy-to-follow installation instructions and convenient full-size templates are packed with the microwave oven.

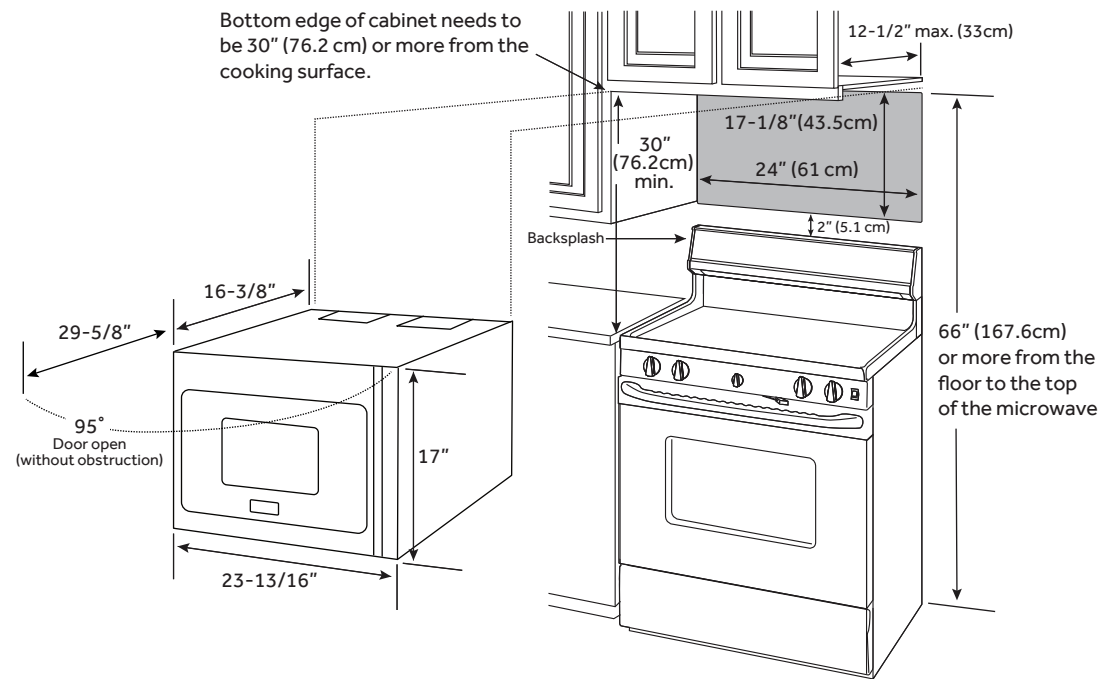
Important Information: When installing the microwave oven over a range, allow minimum of 2" from bottom of microwave oven to top of range backguard to allow for removal of light covers.

Ventilation Options: The microwave oven is designed for adaptation to the following three types of ventilation:

- Outside exhaust (vertical)
- Outside exhaust (horizontal)
- Recirculating (non-vented ductless – as boxed)

Installation Information: This information is not intended to be used for installing unit described. Before installing, consult installation instructions packed with product/kit for current dimensional data.

Cabinet/Wall Attachment Information: Top mount holes are located 10-23/64" from center line and 9-27/32" from the back of the unit. Wall mounting bracket and hardware are included.



For answers to your Monogram, Café™, GE Profile™ or GE Appliances product questions, visit our website at geappliances.com or call GE Answer Center® Service, 800.626.2000.



Specification Revised 6/24

GVMB14S4WSS

1.4 Cu. Ft. Over-the-Range Sensor Microwave Oven

Dimensions and Installation Information (in inches)

Hood Exhaust Duct: Outside ventilation requires a HOOD EXHAUST DUCT. Read the following carefully.

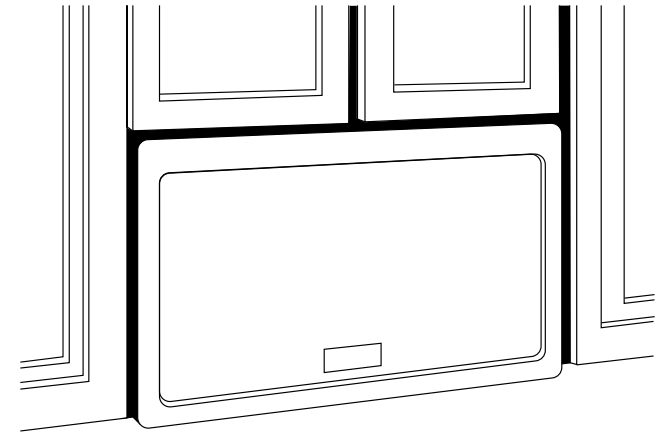
Exhaust Connection: The hood exhaust has been designed to mate with a standard 3-1/4" x 10" rectangular duct. If a round duct is required, a rectangular-to-round transition adaptor must be used. Do not use less than a 6" diameter duct.

Rear Exhaust: If a rear or horizontal exhaust is to be used, care should be taken to align exhaust with space between studs, or wall should be prepared at the time it is constructed by leaving enough space between the wall studs to accommodate exhaust.

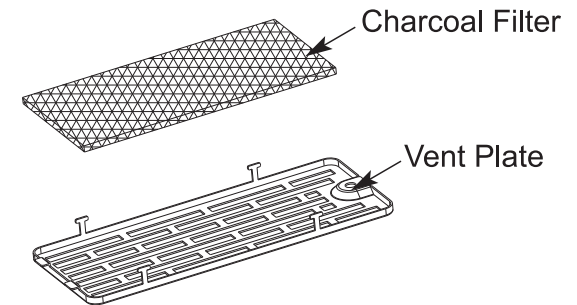
Maximum Duct Length: For satisfactory air movement, the total duct length of 3-1/4" x 10" rectangular or 6" diameter round duct should not exceed 140 equivalent feet.

Elbows, Transitions, Wall and Roof Caps, etc., present additional resistance to airflow and are equivalent to a section of straight duct which is longer than their actual physical size. When calculating the total duct length, add the equivalent length of all transitions and adaptors plus the lengths of all straight duct sections. The chart below shows the approximate feet of equivalent length of some typical ducts.

DUCT	EQUIVALENT FEET
A. Rectangular-To-Round Transition Adaptor	5 ft.
B. Wall Cap	40 ft.
C. 90° Elbow	10 ft.
D. 45° Elbow	5 ft.
E. 90° Elbow	25 ft.
F. 45° Elbow	5 ft.
G. Roof Cap	24 ft.



FILTER KIT



For answers to your Monogram, Café™, GE Profile™ or GE Appliances product questions, visit our website at geappliances.com or call GE Answer Center® Service, 800.626.2000.



Specification Revised 6/24

GVMB14S4WSS

1.4 Cu. Ft. Over-the-Range Sensor Microwave Oven

Features and Benefits

1.4 cu. ft. Capacity – Heat up foods with ease in this 1000-watt mid-sized microwave

Easy-To-Clean, Sleek Appearance – This OTR microwave has glass touch electronic controls and an integrated handle

Two-Speed Venting System – Efficiently remove smoke, steam and odors from your kitchen air with a 300-CFM, two-speed venting system

Sensor Cooking OTR Control – Automatically adjusts the time and power for perfect heating results

LED Cooktop Lighting – Fully illuminate the entire stovetop surface with conveniently bright lighting

Turntable With On/Off – You have the flexibility to switch the turntable on and off as needed

Model GVMB14S4WSS – Stainless Steel



For answers to your Monogram, Café™, GE Profile™ or GE Appliances product questions, visit our website at geappliances.com or call GE Answer Center® Service, 800.626.2000.



Specification Revised 6/24