



Oven-quality food, fast!

Advantium® 240 and 120 ovens.



*Profile*TM

The perfect second oven.

Advantium® technology helps you rediscover the joy of cooking.



Award-winning technology.

The GE Profile™ Advantium oven has won numerous awards for its innovative Speedcook technology. Using powerful halogen light with a microwave boost, it cooks the outside of foods much like a conventional oven, while also penetrating the surface so the inside cooks simultaneously. No other oven delivers such delicious results so fast!

The speed you need.

The Advantium oven enhances your busy life by cooking foods faster and by giving you the added advantage of greater cooking versatility. You save time preparing all your family's favorites – even roasted foods and baked goods. You enjoy slow-cooked quality in a fraction of the time. That's convenience!





Great-tasting food up to 8 times

The Advantium® 240 oven offers a tremendous change of cooking pace.



Speedcook technology.

The Advantium 240 oven uses powerful halogen light, with a simultaneous “microwave boost,” for perfectly cooked results up to eight times faster.

Oven-quality food.

The Advantium oven speedcooks your favorite foods to delicious perfection, and the evidence can be found in the look, aroma and taste.

Cooking versatility.

Advantium Speedcook technology bakes, broils, roasts and even grills food. Plus, the oven converts to a fully functional sensor microwave at the touch of a button.

Easy-to-use controls.

A smooth-turn control dial makes it easy to select from more than 100 preprogrammed recipe options.

Bold appearance.

The Advantium oven provides a striking and stylish look with simple graphics, an arced window and unique sculptured handle.

faster!



Food	Advantium 240 Oven	Conventional Oven
Whole Chicken	20 minutes	119 minutes
Breaded Seafood Fillets	3-1/2 minutes	30 minutes
Crescent Rolls	4-1/2 minutes	18 minutes
Chocolate Chip Cookies	4 minutes	16 minutes
Baked Potatoes	4 minutes	83 minutes
Pepperoni Pizza	5-1/2 minutes	23-1/2 minutes

The Advantium oven proves that faster is better!

The Advantium cooks up everything from pizza to peach cobbler, fast! On average, what takes 40 minutes in a conventional oven can be speedcooked in 10 minutes. There's simply nothing quite like it!

Great-tasting food up to 4 times

The Advantium® 120 oven helps you make the most of your time and your meals.



Ultimate cooking versatility

Advantium 120 combines the power of four innovative ovens in one.



Speedcook oven

The Advantium 120 oven alternates halogen light and microwave power to cook oven-quality foods up to four times faster.



True European convection oven

1500-watt convection oven mode bakes and roasts at temperatures ranging from 80° to 450°.



Sensor microwave oven

975-watt sensor microwave oven mode automatically delivers perfect cooking results.

faster!



Food	Advantium 120 Oven	Conventional Oven
Whole Chicken	40 minutes	119 minutes
Breaded Seafood Fillets	12 minutes	30 minutes
Crescent Rolls	10 minutes	18 minutes
Chocolate Chip Cookies	10 minutes	16 minutes
Baked Potatoes	11 minutes	83 minutes
Pepperoni Pizza	13 minutes	23-1/2 minutes



Warming oven

Warming oven mode keeps prepared foods warm and fresh, and retains perfect moistness and crispness.

The advantage goes beyond per

Advantium® ovens offer excellent versatility with multiple configurations.



Advantium 240 wall oven

As its name implies, the Advantium 240 wall oven requires a 240-volt, dedicated line to deliver its amazing cooking speed and quality. So if you're building a new home or renovating a kitchen, you have the perfect opportunity to install the ultimate Speedcook oven. The wall oven configuration works in just about any location, whether it's above a conventional wall oven, over a warming drawer or simply by itself.



Advantium 240 above-the-cooktop oven

Also requiring a 240-volt, dedicated line, the Advantium 240 above-the-cooktop model installs over a cooktop, freestanding range or countertop. Halogen cooktop lighting conveniently illuminates the cooking surface below.

formance.



Advantium 120 wall oven

Because the Advantium 120 wall oven requires no special wiring, installation options are completely versatile. Choose the location that best suits your needs, whether it's above a conventional oven, over a warming drawer or all by itself. Simply plug the oven into any standard 120-volt/15 amp power outlet.



Advantium 120 above-the-cooktop oven

Like the Advantium 120 wall oven configuration, the above-the-cooktop model requires no special wiring and instead plugs into any standard 120-volt/15 amp power outlet. For space-saving convenience, the oven installs easily over a counter, range or cooktop and provides natural-looking lighting for the surface below.

Advantium® wall ovens

	SCB2000 SCB2001	SCB1000 SCB1001
Features		
Advantium configuration	240-volt	120-volt
Family-size oven	●	●
Stainless steel oven interior	●	●
Cooking modes		
Speedcook	up to 8 times	up to 4 times
Convection oven		●
Microwave oven	●	●
Warming		●
Proof		●
Multilevel		Convection, microwave, warm/proof
Oven controls		
Controls	Dial & membrane	Dial & glass touch
Electronic scrolling display	●	●
Preprogrammed menu items	over 100	over 175
Help pad	●	●
Demo mode	●	●
Interior oven light	●	●
Beeper sound level control	4 levels	4 levels
Variable scroll speed	5 speeds	5 speeds
Custom recipe saver		30
Cooking complete reminder	●	●
Child lockout	●	●
Frameless glass oven door with window	●	●
Microwave oven features		
Sensor	●	●
Defrost – Auto/Time	●	●
Microwave power output watts	950	975
Power/Ratings		
Input volt/hertz	240V/208V 60Hz	120V/60Hz
Input amps/watts (max)	30A/6.3KW-total	15A/1.8KW
Accessories		
Cookbook	●	●
Cooking guide	●	●
Grill tray	●	
Cooking tray	●	●
Microwave tray	●	●
Rack		●
Broil/Toast tray		●
Trim kit		●
Warranty		
Limited one-year in-home warranty*	●	●
Limited five-year magnetron warranty*	●	●

*See written warranty for details.

240-Volt electric wall ovens are not approved for installation with a plug and receptacle. They must be hard wired in accordance with installation instructions.

Color Options

	Advantium 240 wall oven	Advantium 120 wall oven
Stainless steel	SCB2001KSS	SCB1001KSS
White	SCB2000FWW	SCB1000KWW
Bisque		SCB1000KCC
Black	SCB2000FBB	SCB2000KBB

Advantium® above-the-cooktop ovens

	SCA2000 SCA2001	SCA1000 SCA1001
Features		
Advantium configuration	240-volt	120-volt
Family-size oven	●	●
Stainless steel oven interior	●	●
Cooking modes		
Speedcook	up to 8 times	up to 4 times
Traditional oven		●
Microwave oven	●	●
Warming		●
Oven controls		
Controls	Dial & membrane	Dial & buttons
Electronic scrolling display	●	●
Preprogrammed menu items	over 100	over 100
Help pad	●	●
Demo mode	●	●
Interior oven light	●	●
Beeper sound level control	4 levels	4 levels
Variable scroll speed	5 speeds	5 speeds
Cooking complete reminder	●	●
Child lockout	●	●
High capacity cooktop vent fan	2 speed	2 speed
Full-view cooktop lighting	●	●
Programmable night light	●	●
Frameless glass oven door with window	●	●
Microwave oven features		
Sensor	●	●
Defrost	●	●
Microwave power output watts	950	900
Power/Ratings		
Input volt/hertz	240V/60Hz	120V/60Hz
Input amps/watts (max)	30A/6.3KW-total	15A/1.7KW-total
Accessories		
Cookbook	●	●
Cooking guide	●	●
Grill tray	●	
Cooking tray	●	●
Microwave tray	●	●
Warranty		
Limited one-year in-home warranty*	●	●
Limited five-year magnetron warranty*	●	●

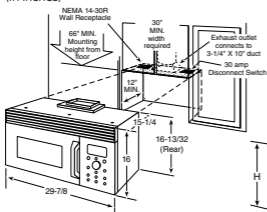
*See written warranty for details.

Color Options

	Advantium 240 above-the-cooktop	Advantium 120 above-the-cooktop
Stainless steel	SCA2001KSS	SCA1001KSS
White	SCA2000FWW	SCA1000HWW
Bisque		SCA1000HCC
Black	SCA2000FBB	SCA1000HBB

Advantium® 240 above-the-cooktop and wall oven installation specifications

Above-the-cooktop installation (In inches)



IMPORTANT: PLEASE READ CAREFULLY. FOR PERSONAL SAFETY, THIS APPLIANCE MUST BE PROPERLY GROUNDED TO AVOID SEVERE OR FATAL SHOCK.

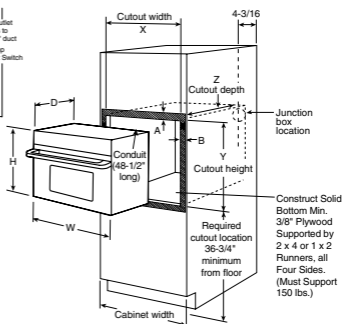
NEMA 14-30R Wall Receptacle

Ensure proper ground exists before use.



DO NOT, UNDER ANY CIRCUMSTANCES, CUT, DEFORM, OR REMOVE ANY OF THE PRONGS FROM THE POWER CORD. DO NOT USE WITH AN EXTENSION CORD.

Wall oven installation (In inches)

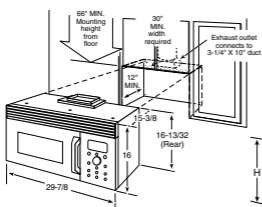


A= Allow 1" overlap of oven over top and bottom edges of cutout.

B= Allow 11/16"-3/4" for overlap of oven over side edges of cutout.

Advantium® 120 above-the-cooktop and wall oven installation specifications

Above-the-cooktop installation (In inches)



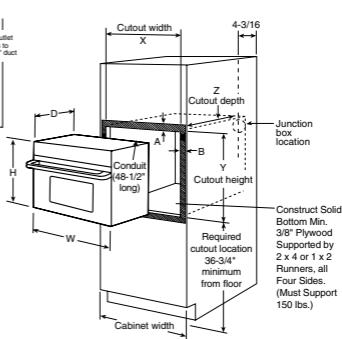
Note: Outside venting is optional. Vent (duct) can be horizontal or vertical.

Filler panel kits

JX40WH-White

JX41-Black

Wall oven installation (In inches)



A= Allow 1" overlap of oven over top and bottom edges of cutout.

B= Allow 11/16"-3/4" for overlap of oven over side edges of cutout.

	Cabinet Width	W Width	H Height	D Depth (excluding handle)	X Cutout Width	Y Cutout Height	Z Cutout Depth
SCB2000/1	30	29-25/32	21-7/8	15-7/32	28-1/2	21	19
SCB1000/1: 27" Installation without trim kit	27	26-3/4	19-1/32	21-1/2	25-1/4	17-1/2	23-1/2
SCB1000/1: 30" Installation with trim kit	30	29-3/4	19-1/32	21-1/2	25-1/4	17-1/2	23-1/2

See sales representative for complete installation and requirements.



GE Consumer & Industrial
Appliances
General Electric Company
Louisville, KY 40225
ge.com