



# Downdraft Vent Systems

*Safety Instructions* .....2, 3, 7

*Operating Instructions*

Cooking Tips .....5  
Raise/Lower Switch .....4  
Using the Cooktop .....4  
Using the Downdraft System ...4

*Care and Cleaning*

Grease Filters .....5  
Painted or Metal Surfaces .....5  
Stainless Steel Surfaces .....5

*Installation Instructions*

Advance Planning .....8, 9  
Before You Begin .....6  
30" Cooktop/Downdraft  
Unit JVB37 .....10  
36" Cooktop/Downdraft  
Unit JVB67 .....11  
Dimensions and Clearances ..7, 8  
Ductwork .....8, 13, 15  
Electrical and Gas Location ...8  
Installation Possibilities .....9  
Installing the Downdraft  
Vent System .....10-17  
Optional Kits .....17  
Power Supply .....12  
Raise/Lower Switch .....16  
Venting Options .....14

*Troubleshooting Tips* .....18

*Consumer Support*

Consumer Support .....20  
Warranty .....19

**Write the model and serial numbers here:**

**Model #** \_\_\_\_\_

**Serial #** \_\_\_\_\_

You can find them on a label on the side of the blower housing.

**Owner's Manual  
& Installation  
Instructions**

JVB37

JVB67



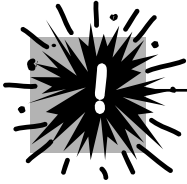
# IMPORTANT SAFETY INFORMATION. READ ALL INSTRUCTIONS BEFORE USING.

**PLEASE NOTE:** The downdraft vent system you have purchased was designed to be used with GE, GE Profile and GE Profile Performance cooktops listed in this manual.

## **⚠ WARNING!**

For your safety, the information in this manual must be followed to minimize the risk of fire or explosion, electric shock, or to prevent property damage, personal injury, or loss of life.

## **⚠ WARNING: TO REDUCE THE RISK OF FIRE, ELECTRIC SHOCK, OR INJURY TO PERSONS, OBSERVE THE FOLLOWING:**



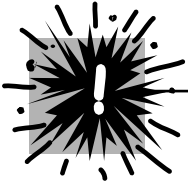
- A.** Use this unit only in the manner intended by the manufacturer. If you have questions, contact the manufacturer.
  - B.** Before servicing or cleaning unit, switch power off at service panel and lock the service disconnecting means to prevent power from being switched on accidentally. When the service disconnecting means cannot be locked, securely fasten a prominent warning device, such as a tag, to the service panel.
- ⚠ CAUTION:** For general ventilating use only. Do not use to exhaust hazardous or explosive materials and vapors.
- Installation work and electrical wiring must be done by qualified person(s) in accordance with all applicable codes and standards, including fire-rated construction.
  - Sufficient air is needed for proper combustion and exhausting of gases through the flue (chimney) of fuel-burning equipment to prevent back drafting. Follow the heating equipment manufacturer's guideline and safety standards such as those published by the National Fire Protection Association (NFPA), and the American Society for Heating, Refrigeration and Air Conditioning Engineers (ASHRAE), and the local code authorities.
  - When cutting or drilling into wall or ceiling, do not damage electrical wiring and other hidden utilities.
  - Ducted fans must always be vented to the outdoors.
  - To reduce the risk of fire, use only metal ductwork.
  - PVC sewer pipe can be used as duct under concrete slab if allowed by local code board.
  - This unit must be grounded.



## SAFETY PRECAUTIONS

### **⚠ WARNING!** TO REDUCE THE RISK OF A RANGE TOP GREASE FIRE:

- Never leave surface units unattended at high settings. Boilovers cause smoking and greasy spillovers that may ignite. Heat oils slowly on low or medium settings.
- Always turn hood **ON** when cooking at high heat or when cooking flaming foods.
- Clean ventilating fans frequently. Grease should not be allowed to accumulate on fan or filter.
- Use proper pan size. Always use cookware appropriate for the size of the surface element.



## SAFETY PRECAUTIONS

**⚠ WARNING!** TO REDUCE THE RISK OF A INJURY TO PERSONS IN THE EVENT OF A RANGE TOP GREASE FIRE, OBSERVE THE FOLLOWING:\*

- A. SMOTHER FLAMES** with a close-fitting lid, cookie sheet, or metal tray, then turn off the burner. **BE CAREFUL TO PREVENT BURNS.** If the flames do not go out immediately, **EVACUATE AND CALL THE FIRE DEPARTMENT.**
- B. NEVER PICK UP A FLAMING PAN**—You may be burned.
- C. DO NOT USE WATER**, including wet dishcloths or towels—a violent steam explosion will result.
- D. Use an extinguisher ONLY if:**
1. You know you have a Class ABC extinguisher, and you already know how to operate it.
  2. The fire is small and contained in the area where it started.
  3. The fire department is being called.
  4. You can fight the fire with your back to an exit.

\*Based on "Kitchen Fire safety Tips" published by NFPA.

**⚠ CAUTION:** For general ventilating use only. Do not use to exhaust hazardous or explosive materials and vapors.

Make sure all fingers are away from the downdraft top when it is lowered.

### If You Need Service...

Do not attempt to repair or replace any part of the downdraft system unless it is specifically recommended in this guide. All other servicing should be referred to a qualified technician.



## SERVICING

Be sure electrical power is off before servicing the unit.

It may be necessary to remove the downdraft blower system in order to service components such as the blower motor or air vent mechanism.

Disconnect power to the cooktop and remove it first. Reverse the steps in the *Install the Downdraft* section to remove the blower.

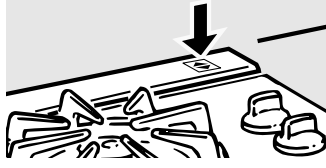
Service parts are available from a GE Service and Parts Center.



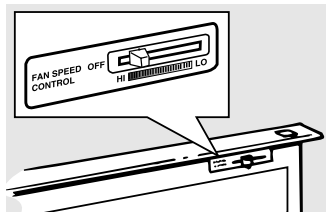
READ AND FOLLOW THIS SAFETY INFORMATION CAREFULLY.

**SAVE THESE INSTRUCTIONS**

## Using the downdraft system.



On some models, the Raise/Lower switch is located at the top right of the vent.



Use the selector switch to turn the blower **ON**, **OFF** or to change the blower speed.

### Raise/Lower Switch (30" models only)

Turn the downdraft blower **ON** by pressing the raise/lower switch located at the top right of the vent. Place your finger on the "center" of the switch and hold until you observe the vent moving, then release.

The air vent will rise. Use the selector switch to turn the blower **ON**, **OFF** or to change the blower speed.

The vent may be lowered by again pressing the raise/lower switch at the top right side of the vent. The blower, if left on, will automatically go off when the vent is lowered.

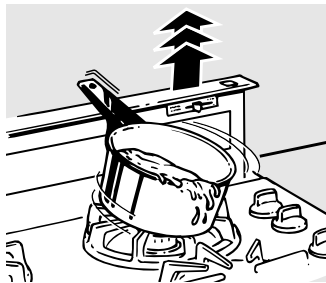
**NOTE:** For most convenient operation, set the blower to the speed you use most often. The blower will come on to this speed whenever the unit is raised.



Raise/Lower switch location may vary.

### Remote Raise/Lower Switch (36" models only)

The 36" models have a remote raise/lower switch. It operates in the same manner as the switch located on the vent. This switch may be located beside the cooktop or in a convenient location.



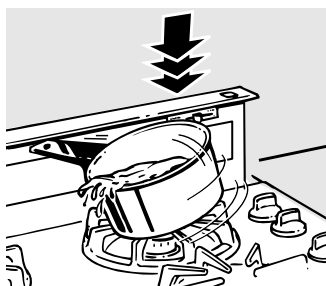
### Using the Cooktop

**CAUTION:** Be careful when raising or lowering the downdraft. Be sure pots, pot handles and other objects are clear of the downdraft and cannot be struck or tipped by the downdraft being raised.

**NOTE:** There is a slight trim overhang at each end of the vent.

■ To avoid injury, be sure fingers are clear of the downdraft cover when it is being lowered.

■ Keep hands and fingers away from all downdraft parts.



### Cooking Tips

The high air movement of this downdraft system can increase the cooking times for some foods. It may take longer to reach high cooking temperatures if the downdraft is turned to high right away. Adjust the fan speed for best cooking results.

For best results when heating oil for deep frying or when boiling water, use the front surface units or wait until the water is boiling or the oil is at frying temperatures before turning on the downdraft.

*The downdraft may not completely capture all the steam from pans on the front burners.*

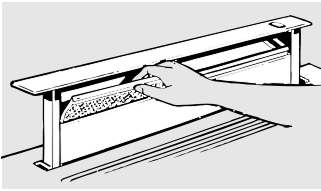
### Canning

When canning foods in a water-bath canner, a gentle but steady boil must be maintained continuously for the required time.

When canning foods in a pressure canner, the pressure must be maintained continuously for the required time.

Use of the blower at **HIGH** speed when canning may reduce the temperature enough to stop boiling. While canning, we recommend using the downdraft at **LOW** speed and using the front surface unit.

## Care and cleaning of the downdraft system.



### Grease Filters

The efficiency of your downdraft depends on a clean filter. Frequency of cleaning depends on the type of cooking you do. Grease filters should be cleaned at least once a month. Never operate the downdraft without the filters in place.

**To remove:** Pull the filters out by grasping them and pulling straight up.

**To clean:** Soak and then agitate in a hot detergent solution. Light brushing may

be used to remove embedded soil. Rinse, shake and remove moisture before replacing.

Filters may also be cleaned in the dishwasher.

With careful handling, the filter will last for years. If replacement becomes necessary, order the part from your dealer.

### Painted or Metal Surfaces

Clean greasy surfaces frequently, using a mild detergent.

**Do not use abrasive cloth, steel wool pads or scouring powder because they will mar the surface.**

### Stainless Steel Surfaces (on some models)

**Do not use a steel-wool pad; it will scratch the surface.**

- 1 Shake bottle well.
- 2 Place a small amount of CERAMA BRYTE® Stainless Steel Appliance Cleaner on a **damp** cloth or **damp** paper towel.
- 3 Clean a small area (approximately 8" x 8"), rubbing with the grain of the stainless steel if applicable.
- 4 Dry and buff with a clean, dry paper towel or soft cloth.
- 5 Repeat as necessary.

**NOTE:** If a mineral oil-based stainless steel appliance cleaner has been used before to clean the appliance, wash the surface with

dish soap and water prior to using the CERAMA BRYTE® Stainless Steel Appliance Cleaner. After washing the surface with dish soap and water, use a generous amount of CERAMA BRYTE® Stainless Steel Appliance Cleaner to clean the appliance.

### To Order

To order CERAMA BRYTE® Stainless Steel Appliance Cleaner, please call our toll-free number:

**National Parts Center** 800.626.2002

**www.GEAppliances.com**

**CERAMA BRYTE®  
Stainless Steel Appliance  
Cleaner** .....

#PM10X311

# Installation Instructions

# Downdraft Vent System

If you have questions, call 800.GE.CARES or visit our Website at: [www.GEAppliances.com](http://www.GEAppliances.com)

## BEFORE YOU BEGIN

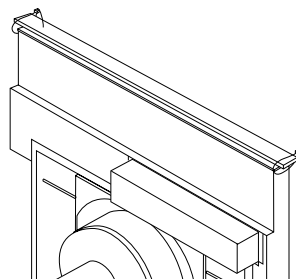
Read these instructions completely and carefully.

- **IMPORTANT** — Save these instructions for local inspector's use.
- **IMPORTANT** — Observe all governing codes and ordinances.
- **Note to Installer** – Be sure to leave these instructions with the Consumer.
- **Note to Consumer** – Keep these instructions for future reference.
- **Note** – This appliance must be properly grounded.
- Proper installation is the responsibility of the installer.
- Product failure due to improper installation is not covered under the Warranty.

## REMOVE PACKAGING

Open the carton and remove parts package. Check contents to be sure all pieces are present. (The parts package may be attached to the power cord.)

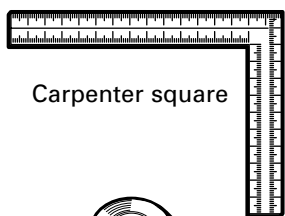
Remove the shipping materials. Remove the carton and set aside. The carton can be used as a pad when changing or adjusting vent direction.



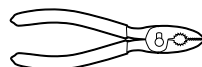
## TOOLS YOU WILL NEED



Flat-blade screwdriver



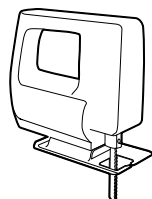
Carpenter square



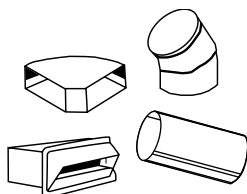
Pliers



Duct tape

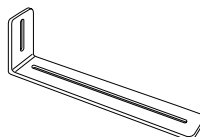


Jig saw



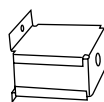
Ductwork to suit the installation

## PARTS INCLUDED

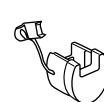


Stabilizing brackets (all models) (4)

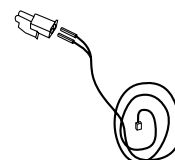
### Remote raise/lower assembly (for 36" models only)



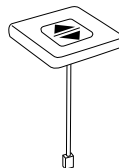
Wire box (2) and screws (4)



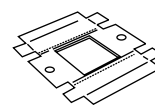
Plastic strain relief (2)



Wire and white connector (1)



Switch cover plate (1)

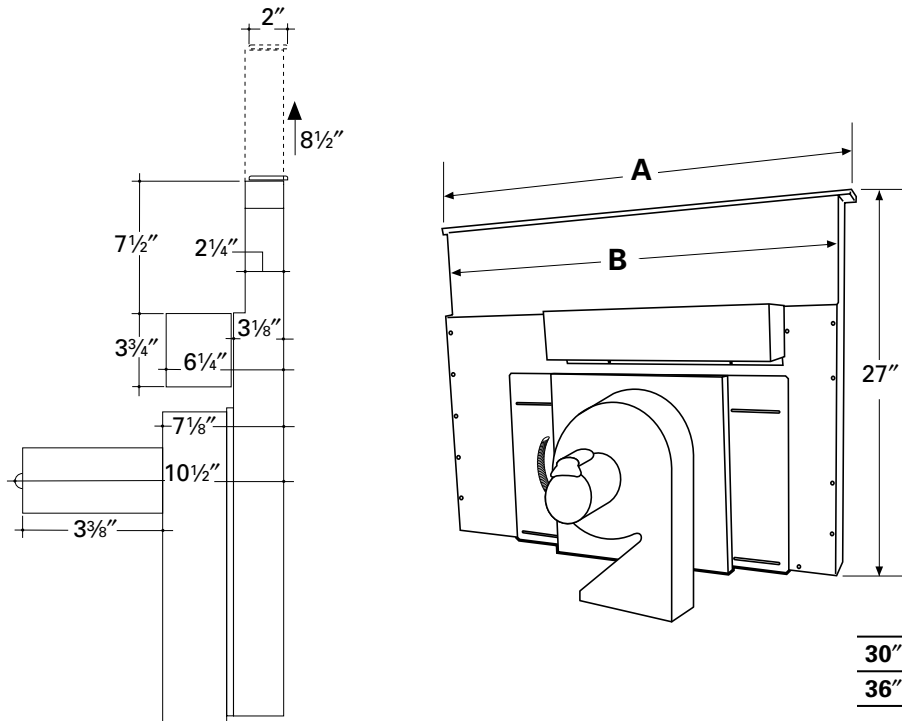


Attachment bracket (1)

# Installation Instructions

## DIMENSIONS AND CLEARANCES

**⚠ CAUTION** — Wall coverings, countertops and cabinets should withstand 200°F. heat generated by any cooktop.



## ⚠ WARNING! INSTALLATION SAFETY INSTRUCTIONS

TO REDUCE THE RISK OF FIRE, ELECTRIC SHOCK, OR INJURY TO PERSONS, OBSERVE THE FOLLOWING:

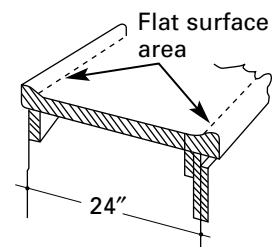
- A** Installation work and electric wiring must be done by qualified person(s) in accordance with all applicable codes and standards, including fire-rated construction.
- B** Ducted fans must always be vented to the outdoors.
- C** When cutting or drilling into wall or ceiling, do not damage electrical wiring and other hidden utilities.

**⚠ WARNING** — To reduce the risk of fire, use only metal ductwork.

**I** **IMPORTANT:** These vents are recommended for island installations. Against-the-wall installations are limited due to countertop depth requirements. The vent and cooktop combined depth requires an extra deep flat countertop surface.

The countertop must be at least 26" deep with a flat surface area of 23 1/2" or more, front to back. (**NOTE:** JGP932S, JP350SC, JP930SC and JP938SC require 23 5/8" flat surface area.) In addition, other clearances to the front edge of the countertop must be considered.

- See specific cutout illustrations with your cooktop model to determine requirements.
- A countertop with a raised lip or rolled front edge may not allow enough flat area for installation.



# Installation Instructions

## ADVANCE PLANNING

### CLEARANCES

- Installation must conform with local codes.
- The downdraft system with blower, motor and duct work will occupy the cabinet below the countertop and cooktop.
- The blower/motor assembly can be located below the cabinet floor. The assembly will fit between 16" floor joists.

*In this installation a transition to 6" round is required.*

- The blower motor assembly can also be installed outdoors. Order JXBC67 for remote blower installations outdoors.
- Refer to *Dimensions and Clearances* for information on appropriate placement and necessary clearances when planning installation.
- Refer to your specific cooktop installation instruction for other appropriate clearances.
- Avoid placing cabinetry directly above the cooking surface when possible.
- **If cabinetry is used above the cooking surface:**

Installation must conform with local codes.

Use cabinets no more than 13" deep.

Maintain 30" minimum clearance between cooktop and unprotected cabinets directly above cooktop.

If clearance is less than 30", protect cabinet bottoms with flame-retardant millboard at least 1/4" thick or gypsum board at least 3/16" thick covered with 28 gauge sheet steel or .02" thick copper.

Clearance between cooktop and protected cabinetry must not be less than 24".

**EXCEPTION:** Installation of a listed microwave oven or cooking appliance over the cooktop shall conform to the installation instructions packed with that appliance.

- Working areas adjacent to the cooktop should maintain 18" minimum clearance between countertop and cabinet bottom.

### DUCTWORK

**Prepare ductwork to vent to the outdoors.**

- Use the shortest and straightest duct run possible.

The maximum permissible length for duct run is 150 feet.

Refer to *Duct Fittings* chart to calculate equivalent length for various duct configurations.

- The downdraft blower system is designed to use 3 1/4" x 10" ductwork. It can be transitioned to 6" round.
- Ductwork **MUST** be vented to the outside—never into a crawl space, attic or other enclosed space.
- Determine the need for a wall cap or roof cap. Purchase the cap in advance from your home building center or plumbing supply.

### COOKTOP ELECTRICAL AND GAS LOCATION

**Plan the placement of the electrical outlet and gas (if used) carefully. Gas or electrical outlets cannot be placed on the back wall of the cabinet because it may interfere with the downdraft plenum.**

Install a standard electrical outlet within reach of the vents' 2 foot long power cord.

- The vent and a gas cooktop combination can operate from the same 120V standard duplex outlet.
- Electric cooktops must operate from a separate 240V junction box.

### REMOTE SWITCH (for 36" models only)

The downdraft vent has a separate raise/lower switch. Plan to install the switch in a convenient location outside of the vent/cooktop cutout.

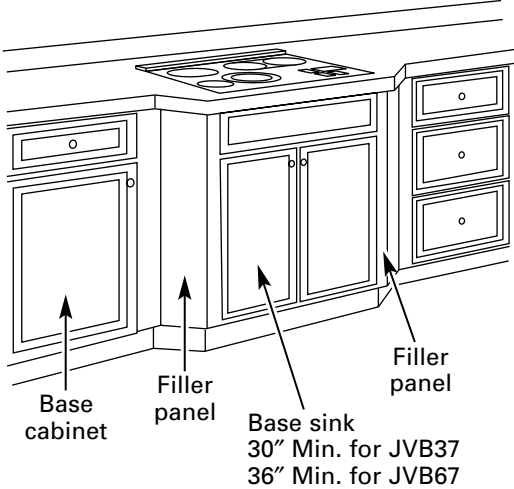


# Installation Instructions

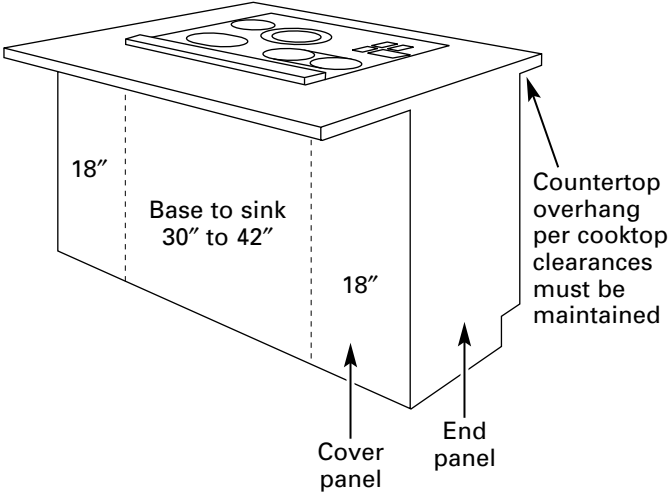
## INSTALLATION POSSIBILITIES

When the kitchen design calls for an against the wall installation, move 24" deep base cabinet forward, 3" to 5". Filler panels can be angled or flat to fill the space between adjacent cabinets.

Maintain cutout clearances to front edge as specified.



In an island or peninsula, the countertop can be extra deep to provide seating opposite of the cooktop. Adding base cabinets on each side of the cooktop provides extra storage and countertop work space.



# Installation Instructions

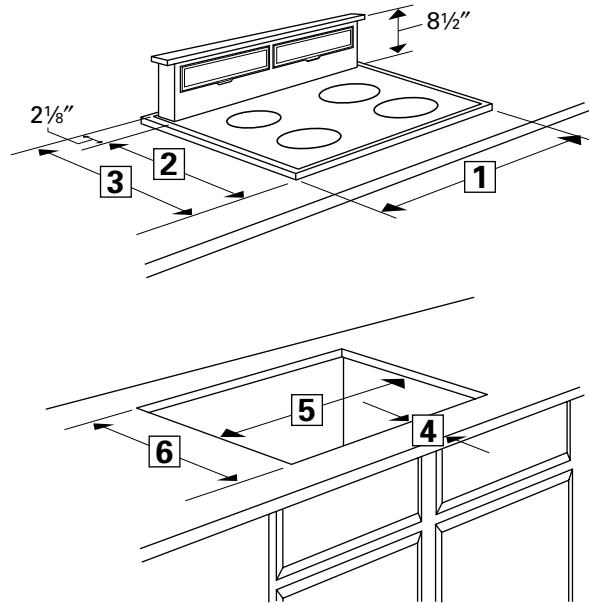
## INSTALLING THE DOWNDRAFT VENT SYSTEM

### 30" COOKTOP/DOWNDRAFT UNIT JVB37

**NOTE:** Before you begin, measure and mark **Dimension 3** to ensure that adequate flat countertop surface is available.

Identify the cutout illustration for the cooktop model you are installing with this downdraft vent system.

- Draw lines on the countertop to follow as a cutting guide.
- Make sure sides of the opening are parallel and rear and front cuts are exactly perpendicular (right angle) to sides.



Model No.	Planning Installation 30" Electric and Gas Cooktops with Downdraft Vents				Preparing Cutout	
	1 Overall Width	2 Cooktop Surface Overall Depth	3 Surface Depth with Downdraft*	4 Minimum Setback Cutout to Front Edge**	5 Combined Cutout Width	6 Combined Cutout Depth
JP326	30-1/4"	21-1/4"	23-3/8"	2-1/2"	28-1/2"	22-3/8"
JP340 JP350 JP930 JP931 JP938 JP939	29-3/4"	20-7/8"	23"	2-1/2"	28-1/2"	22-1/4"
JP350SC JP930SC JP938SC	29-7/8"	21-1/2"	23-5/8"	2-1/2"	28-1/2"	22-3/8"
JGP328 JGP933 JGP933S	30"	21"	23-1/8"	2-1/2"	28-1/2"	22-3/8"
JGP336	30"	21"	23-1/8"	2-1/2"	28-1/2"	22-1/4"
JGP932	29-3/4"	21"	23-1/8"	2-1/2"	28-1/2"	22-1/4"
JGP930S	30"	21-1/4"	23-3/8"	2-1/2"	28-1/2"	22-1/4"
JGP932S	29-7/8"	21-5/8"	23-3/4"	2-1/2"	28-1/2"	22-5/8"

\*Includes 1/8" gap between cooktop and vent trim

\*\*Required to maintain UL or AGA approvals

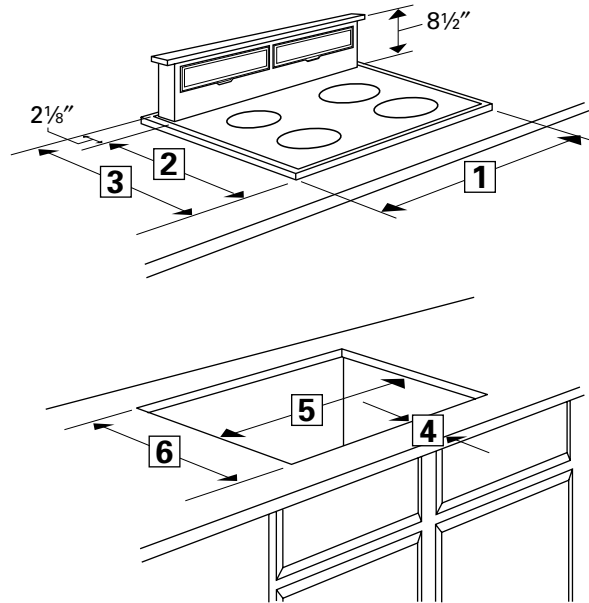
# Installation Instructions

## 36" COOKTOP/DOWNDRAFT UNIT JVB67

**NOTE:** Before you begin, measure and mark Dimension 3 to ensure that adequate flat countertop surface is available.

Identify the cutout illustration for the cooktop model you are installing with this downdraft vent system.

- Draw lines on the countertop to follow as a cutting guide.
- Make sure sides of the opening are parallel and rear and front cuts are exactly perpendicular to sides.



Model No.	Planning Installation 36" Electric and Gas Cooktops with Downdraft Vents				Preparing Cutout	
	1 Overall Width	2 Cooktop Surface Overall Depth	3 Surface Depth with Downdraft*	4 Minimum Setback Cutout to Front Edge**	5 Combined Cutout Width	6 Combined Cutout Depth
JP626	35-1/2"	21"	23-1/8"	2-1/2"	34"	21-1/8"
JP960 JP961 JP968 JP969	36"	20-3/8"	22-1/2"	2-1/2"	34"	21-3/4"
JP960S JP968S	36-1/8"	21"	23-1/8"	2-1/2"	34"	21-7/8"
JGP628 JGP963 JGP963S	36"	21"	23-1/8"	2-1/2"	34"	21-7/8"
JGP636	36"	21"	23-1/8"	2-1/2"	34"	21-7/8"
JGP960S	36"	21-1/4"	23-1/8"	2-1/2"	34"	22-7/8"
JGP962	36"	20-7/16"	22-9/16"	2-1/2"	34"	21-3/4"
JGP962S	36-1/8"	21-1/16"	23-3/16"	2-1/2"	34"	22-1/8"

\*Includes 1/8" gap between cooktop and vent trim

\*\*Required to maintain UL or AGA approvals

# Installation Instructions

## INSTALLING THE DOWNDRAFT VENT SYSTEM

### POWER SUPPLY

This downdraft vent must be supplied with 120V, 60Hz., and connected to an individual, properly grounded branch circuit, protected by a 15 or 20 ampere circuit breaker or time delay fuse.

### Gas Cooktops

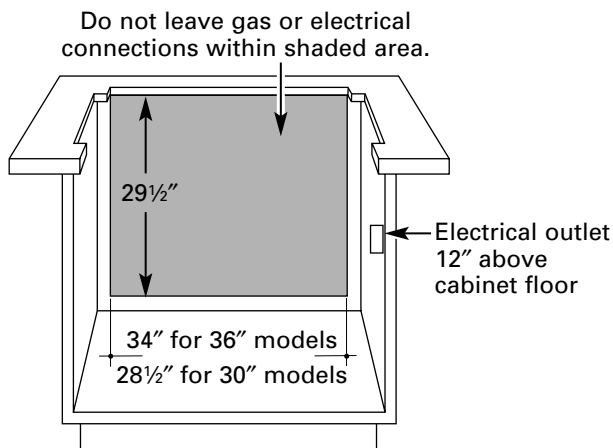
If this vent is installed in combination with a gas cooktop, it may operate from the same duplex outlet.

### Electric Cooktops

If this vent is installed in combination with an electric cooktop, the vent must operate from a separate 120V outlet.

A properly grounded 3-prong receptacle should be located within reach of the vents' 2 foot power cord.

- Locate the receptacle inside the cabinet on the right side wall. The receptacle cannot be placed on the back of the cabinet wall where it may interfere with the downdraft plenum. See illustration.




**NOTE:** Do not use an extension cord or adapter plug with this appliance. Follow National electrical codes or prevailing local codes and ordinances.

# Installation Instructions

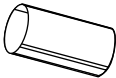
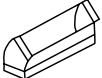

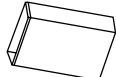

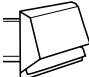


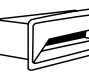

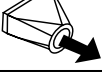

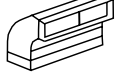


## DUCTWORK LENGTH AND DUCT FITTINGS

**NOTE: Do not exceed 150 foot maximum permissible equivalent lengths!**

Flexible ducting: If flexible metal ducting is used, all equivalent feet values in the table should be doubled. The flexible metal duct should be straight and smooth and extended as much as possible.

 **DO NOT** use flexible plastic ducting.

Add equivalent lengths for all duct pieces and transitions used to ensure that the duct run does not exceed the maximum 150 feet.

Duct Pieces	Equivalent Length*	Duct Pieces	Equivalent Length*	Duct Pieces	Equivalent Length*
	6" Round Straight 1 ft. (per foot length)		3 1/4" x 10" 45° Elbow 5 ft.		3 1/4" x 10" to 6" Round Transition 90° Elbow 12 ft.
	3 1/4" x 10" Straight 1 ft. (per foot length)		3 1/4" x 10" 90° Flat Elbow 24 ft.		6" Round Wall Cap with Damper 21 ft.
	6" 90° Elbow 15 ft.		6" Round to 3 1/4" x 10" Transition 7 ft.		3 1/4" x 10" Wall Cap with Damper 27 ft.
	6" 45° Elbow 9 ft.		3 1/4" x 10" to 6" Round Transition 5 ft.		6" Round Roof Cap 20 ft.
	3 1/4" x 10" 90° Elbow 16 ft.		6" Round to 3 1/4" x 10" Transition 90° Elbow 20 ft.		6" Round Roof Vent 24 ft.

### SHOULD NOT EXCEED 150 EQUIVALENT FEET

\*Equivalent lengths of duct pieces are based on actual tests conducted by GE Evaluation Engineering and reflect requirements for good venting performance. See chart for CFM Duct Length.

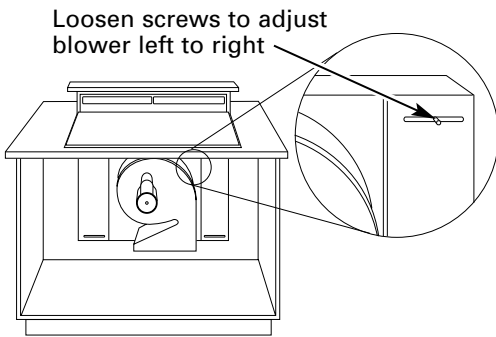
# Installation Instructions

## INSTALLING THE DOWNDRAFT VENT SYSTEM

### VENTING OPTIONS

#### Side-to-Side Adjustments

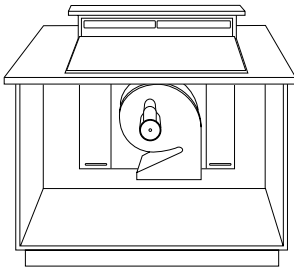
The entire blower mounting plate can be adjusted 3½" to the left or right. This will help to align vent discharge to house ductwork.



#### Discharge Direction

The blower assembly may be removed and turned 90° for a left or right side discharge.

- The downdraft vent is shipped with the discharge outlet pointing straight down and can be changed to the left or right side.



Discharge down  
(as supplied)

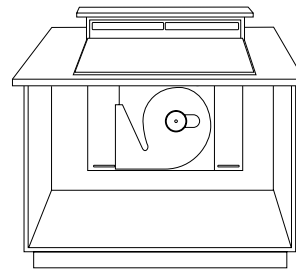
- A left or right 90° direction adjustment should be performed before dropping into the countertop opening.
- Flatten the shipping box to use as a pad.
- Lay the vent on its back onto the pad.

#### To Change to a Left or Right Discharge

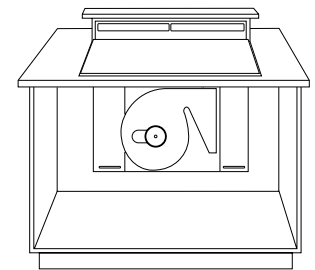
- 1 Remove the 4 screws holding the blower to the mounting plate assembly. Retain screws.
- 2 Remove the blower assembly, turn it over to access the 4 nuts holding the blower to the mounting plate. Remove the nuts.

**I IMPORTANT:** Do not lift the motor by the power cable.

- 3 Turn the blower to the left or right discharge direction and reinstall the 4 nuts.



Discharge left



Discharge right

- 4 Reinstall the blower and mounting plate with original screws.

#### To Locate the Ductwork Holes in the Cabinet Floor or Side Walls

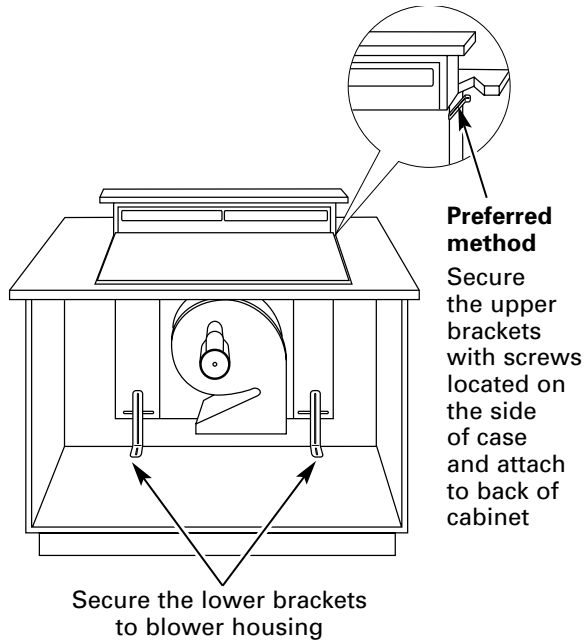
- 1 Temporarily, put vent into the countertop opening.
- 2 Push the vent all the way to the back of the opening.
- 3 If you are transitioning to 6" round, place transition (obtained locally) over the discharge outlet.
  - Mark the location and remove the assembly.
  - Cut holes and install ductwork connections.

Order JXR67 for installation of the blower and motor below the floor.

Order JXBC67 for installation of the blower and motor outdoors.

# Installation Instructions

## 1 INSTALL THE DOWNDRAFT VENT



Place the downdraft vent into the countertop cutout, against the back side.

- A** Secure the downdraft to the countertop supplied brackets. See illustration.
- B** Fasten 2 brackets to vent side and secure to cabinet back wall.
- C** Install 2 brackets on the bottom of the vent. Attach brackets to slide screws on the vent and to the floor using wood screws (not supplied).

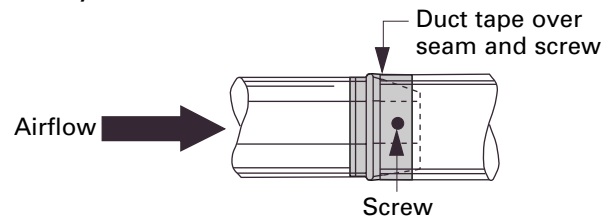
When installing in a tile countertop surface, it may be necessary to apply a locally approved caulking to cover any gaps.

## 2 INSTALL THE DUCTWORK

Use minimum 26" gauge galvanized or 24 gauge aluminum duct 3 1/4" x 10" or 6" round. PVC duct should be used if installing under a poured concrete slab.

**DO NOT USE** flexible ducting.

- Always use appropriate roof or wall cap with damper. Laundry type wall caps should never be used. See the *Ductwork Length and Duct Fittings* chart.
- Use the straightest duct run possible.
- For satisfactory performance the duct run should not exceed 150 feet or its equivalent length when bends or various fittings are used. Refer to the table of equivalent lengths to calculate your installation.



- Install ductwork so the piece of duct nearest the downdraft unit slots **INTO** the next piece of the duct. Secure the joints with self-tapping screws and apply duct tape around the joints to ensure an airtight seal.

# Installation Instructions

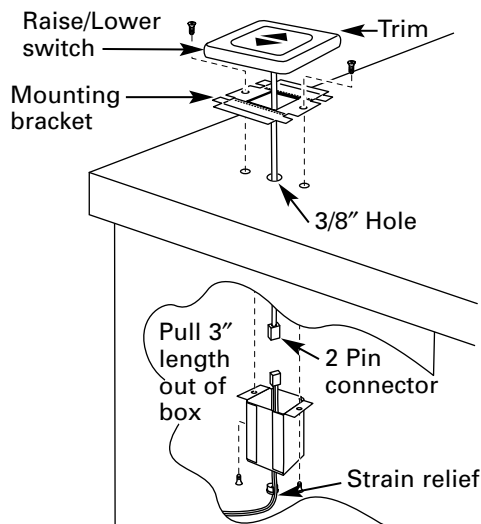
## INSTALLING THE DOWNDRAFT VENT SYSTEM

### 3 INSTALL THE RAISE/LOWER SWITCH

**NOTE:** Step 3 is for 36" models only. Skip this step if installing a 30" model.

**⚠ WARNING** — Disconnect electrical power from the unit before beginning switch installation. Failure to do so could result in personal injury or damage to the electrical controls.

**NOTE:** Determine the location for the Raise/Lower switch. The wiring lead is 68" long.

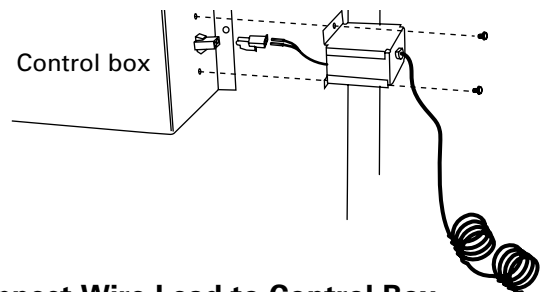


- A** Drill a 3/8" hole into the desired location. Use the mounting bracket as a template to locate the hole accurately. Check for interference between the switch cover, adjacent objects and cooktop/vent overlaps.
- B** If switch is mounted into a tile surface, drill the hole between tiles. Use locally approved caulking to cover any gaps.
- C** Center the mounting bracket over the hole and mark pilot holes. Remove and drill holes according to type of countertop.
- D** Mount the metal switch bracket with screws (not provided). Choose screws for your type of countertop or use locally approved adhesive.

- E** Remove protective film from the top of the switch trim.
- F** Peel film from the adhesive strips on the back of the switch trim. Thread the wire lead through the mounting bracket and countertop. Press trim over the mounting bracket to set the adhesive.

### Connect Raise/Lower Wire Lead to Wire Box

- A** Thread wire end with the connector through the hole on the end of a wire box. Pull approximately 3" additional wire length beyond the open end of the box.
- B** Connect the mating wire connectors.
- C** Install the wire box onto the bottom of the countertop or directly behind the switch. Use screws or adhesive appropriate for the type of countertop.
- D** Place plastic strain relief over the wire, just outside of the hole at the end of the wire box. Do not pinch or twist the wire. Snap the strain relief closed and press into the hole.



### Connect Wire Lead to Control Box

- A** Thread the long 68" wire lead through the end of the other wire box.
- B** Push wire leads into the white connector provided.
- C** Push wire connector into the mating connector on the control box. Install the wire box onto the end of the control box with screws provided.
- D** Place plastic strain relief over the wire, just outside of the hole at the end in the wire box. Do not pinch or twist the wire. Snap the strain relief closed and press into the hole.
- E** Coil the excess wire and position away from moving parts and cabinet contents.



# Installation Instructions

## 4 CONNECT THE POWER

Plug power cord into a properly grounded receptacle.

## INSTALL THE COOKTOP

- With the downdraft in the “down” position, place the cooktop into the cutout.
- Push the cooktop back until the back edge of the cooktop just barely touches the front edge of the downdraft cover.
- Using a dime as a thickness gauge, align the cooktop so that there is a minimum uniform gap of 0.05” (the thickness of a dime) between the cooktop and the downdraft cover.

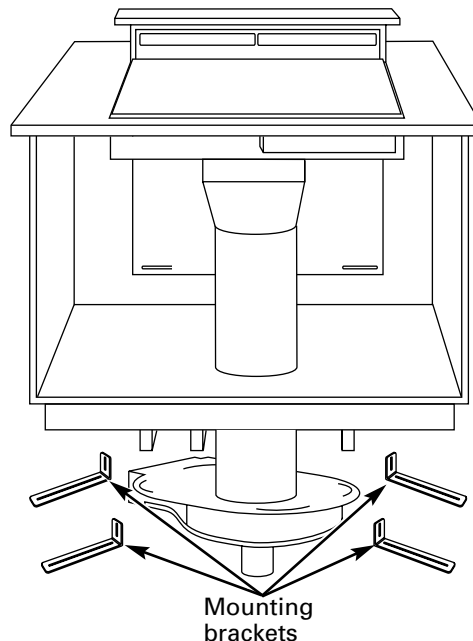
**NOTE:** Do not force the downdraft cover to move rearward when aligning the cooktop. This may cause the downdraft cover to impact and damage the cooktop when the vent is raised and lowered.

### NOTES:

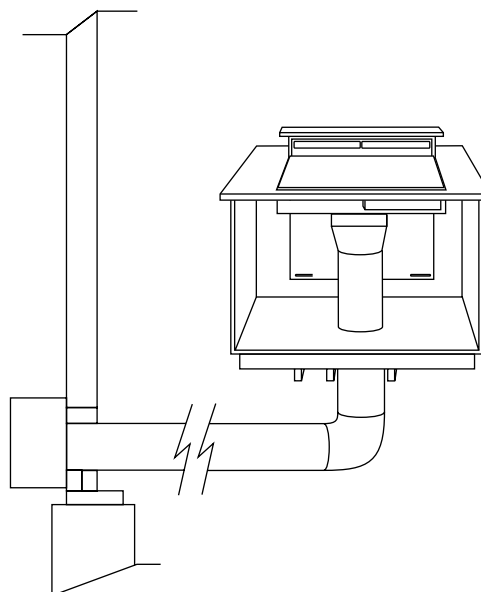
- Accurate alignment of cooktop and downdraft is necessary to ensure that there is no interference when air vent is raised and lowered. There should be a gap of 0.05” (the thickness of a dime) between the back edge of the cooktop and the front edge of the downdraft cover.
- Radiant cooktop cannot be flush mounted when using this downdraft vent.

## OPTIONAL KITS

**JXRB67** optional accessory for indoor remote location of the blower/motor assembly. Use this kit when the blower and motor assembly will be located below the cabinet floor.



**JXBC67** optional outdoor cover accessory for remote installation of blower and motor assembly on an outside wall.



## Before you call for service...



*Troubleshooting Tips*  
 Save time and money! Review the chart below first and you may not need to call for service.

<b>Problem</b>	<b>Possible Causes</b>	<b>What To Do</b>
<b>Fan does not work</b>	The vent is not fully extended.	<ul style="list-style-type: none"> <li>• Press the Raise/Lower switch.</li> </ul>
	The blower control switch may be in the <b>OFF</b> position.	<ul style="list-style-type: none"> <li>• Slide it to the right.</li> </ul>
<b>Vent does not rise</b>	Vent not plugged into an outlet.	<ul style="list-style-type: none"> <li>• Plug vent into a 120V power outlet.</li> </ul>
	Raise/Lower switch did not engage lift motor.	<ul style="list-style-type: none"> <li>• Hold switch down for a couple of seconds to activate motor.</li> </ul>
	Circuit breaker may have tripped.	<ul style="list-style-type: none"> <li>• Check circuit breaker. Reset if necessary.</li> </ul>
	Remote switch not plugged in.	<ul style="list-style-type: none"> <li>• Check all connections between the remote switch and vent body.</li> </ul>

# GE Downdraft System Warranty.



All warranty service provided by our Factory Service Centers, or an authorized Customer Care® technician. To schedule service, on-line, 24 hours a day, visit us at [www.GEAppliances.com](http://www.GEAppliances.com), or call 800.GE.CARES (800.432.2737).

Staple your receipt here.  
Proof of the original purchase date is needed to obtain service under the warranty.

For The Period Of:	GE Will Replace:
<b>One Year</b> From the date of the original purchase	<b>Any part</b> of the downdraft system which fails due to a defect in materials or workmanship. During this <b>full one-year warranty</b> , GE will also provide, <b>free of charge</b> , all labor and in-home service to replace the defective part.

## What GE Will Not Cover:

- Service trips to your home to teach you how to use the product.
- Replacement of house fuses or resetting of circuit breakers.
- Improper installation, delivery or maintenance.
- Damage to the product caused by accident, fire, floods or acts of God.
- Failure of the product if it is abused, misused, or used for other than the intended purpose or used commercially.
- Incidental or consequential damage caused by possible defects with this appliance.
- Replacement of the replaceable filters.
- Damage caused after delivery.

*This warranty is extended to the original purchaser and any succeeding owner for products purchased for home use within the USA. In Alaska, the warranty excludes the cost of shipping or service calls to your home.*

*Some states do not allow the exclusion or limitation of incidental or consequential damages. This warranty gives you specific legal rights, and you may also have other rights which vary from state to state. To know what your legal rights are, consult your local or state consumer affairs office or your state's Attorney General.*

*If you have an installation problem, contact your dealer or installer. You are responsible for providing adequate electrical, gas, exhausting and other connecting facilities as described in the Installation Instructions provided with the product.*

**Warrantor: General Electric Company. Louisville, KY 40225**

Safety Instructions

Operating Instructions

Installation Instructions

Troubleshooting Tips

Consumer Support

## Consumer Support.

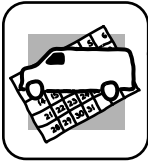
---



### *GE Appliances Website*

[www.GEAppliances.com](http://www.GEAppliances.com)

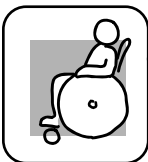
Have a question or need assistance with your appliance? Try the GE Appliances Website 24 hours a day, any day of the year! For greater convenience and faster service, you can now download Owner's Manuals, order parts, catalogs, or even schedule service on-line. You can also "Ask Our Team of Experts™" your questions, and so much more...



### *Schedule Service*

[www.GEAppliances.com](http://www.GEAppliances.com)

Expert GE repair service is only one step away from your door. Get on-line and schedule your service at your convenience 24 hours any day of the year! Or call 800.GE.CARES (800.432.2737) during normal business hours.



### *Real Life Design Studio*

[www.GEAppliances.com](http://www.GEAppliances.com)

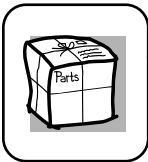
GE supports the Universal Design concept—products, services and environments that can be used by people of all ages, sizes and capabilities. We recognize the need to design for a wide range of physical and mental abilities and impairments. For details of GE's Universal Design applications, including kitchen design ideas for people with disabilities, check out our Website today. For the hearing impaired, please call 800.TDD.GEAC (800.833.4322).



### *Extended Warranties*

[www.GEAppliances.com](http://www.GEAppliances.com)

Purchase a GE extended warranty and learn about special discounts that are available while your warranty is still in effect. You can purchase it on-line anytime, or call 800.626.2224 during normal business hours. GE Consumer Home Services will still be there after your warranty expires.

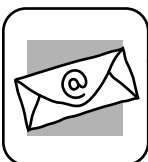


### *Parts and Accessories*

[www.GEAppliances.com](http://www.GEAppliances.com)

Individuals qualified to service their own appliances can have parts or accessories sent directly to their homes (VISA, MasterCard and Discover cards are accepted). Order on-line today, 24 hours every day or by phone at 800.626.2002 during normal business hours.

***Instructions contained in this manual cover procedures to be performed by any user. Other servicing generally should be referred to qualified service personnel. Caution must be exercised, since improper servicing may cause unsafe operation.***



### *Contact Us*

[www.GEAppliances.com](http://www.GEAppliances.com)

If you are not satisfied with the service you receive from GE, contact us on our Website with all the details including your phone number, or write to: General Manager, Customer Relations  
GE Appliances, Appliance Park  
Louisville, KY 40225



### *Register Your Appliance*

[www.GEAppliances.com](http://www.GEAppliances.com)

**Register your new appliance on-line—at your convenience!** Timely product registration will allow for enhanced communication and prompt service under the terms of your warranty, should the need arise. You may also mail in the pre-printed registration card included in the packing material.



# Sistemas de ventilación de tiro descendente

**Instrucciones de seguridad** .....2, 3, 7

**Instrucciones de operación**

Consejos para cocinar ... .5  
Interruptor Raise/Lower (subir / bajar) .....4  
Uso de la estufa .....4  
Uso del sistema de tiro descendente .....4

**Cuidado y limpieza**

Filtros para grasa .....5  
Superficies de acero inoxidable .....5  
Superficies pintadas o metálicas .....5

**Instrucciones de instalación**

Antes de empezar .....6  
Conductos .....8, 13, 15  
Dimensiones y espacios .....7, 8  
Instalación del sistema de ventilación descendente .....10-17  
Interruptor Raise/Lower (subir / bajar) .....16  
Kits opcionales .....17  
Opciones de ventilación .....14

Planificación anticipada .....8, 9  
Posibilidades de instalación .....9  
Suministro de corriente .....12  
Ubicación de la conexión eléctrica y de gas .....8  
Unidad de estufa / sistema de tiro descendente de 30" JVB37 .....10  
Unidad de estufa / sistema de tiro descendente de 36" JVB67 .....11

**Consejos para la solución de problemas** .....18

**Apoyo al consumidor**

Apoyo al consumidor ... .20  
Garantía .....19

**Manual del propietario e instrucciones de instalación**

JVB37  
JVB67

**Escriba aquí el modelo y número de serie:**

**Modelo No.** \_\_\_\_\_

**Serie No.** \_\_\_\_\_

Puede encontrarlos en una etiqueta al costado de la caja del ventilador.



# INFORMACIÓN IMPORTANTE DE SEGURIDAD

## LEA TODAS LAS INSTRUCCIONES ANTES DEL USO.

**POR FAVOR TOME EN CUENTA:** El sistema de ventilación de tiro descendente que ha adquirido fue diseñado para uso con estufas GE, GE Profile y GE Profile Performance que se mencionan en este manual.

### **⚠ ¡ADVERTENCIA!**

Por su seguridad, se debe seguir la información de este manual para reducir el riesgo de incendio o explosión, choque eléctrico o para evitar el daño a la propiedad, las lesiones personales o la pérdida de la vida.

### **⚠ ADVERTENCIA: PARA REDUCIR EL RIESGO DE INCENDIO, CHOQUE ELÉCTRICO O LESIONES PERSONALES, OBSERVE LO SIGUIENTE:**



- A.** Use esta unidad únicamente de la manera sugerida por el fabricante. Si tiene preguntas, póngase en contacto con el fabricante.
  - B.** Antes de realizar mantenimiento o limpiar la unidad, apague la corriente en el panel de servicio y bloquee el medio de desconexión del servicio para evitar que la corriente se encienda de manera accidental. Cuando no se pueda bloquear el medio de desconexión del servicio, coloque firmemente un dispositivo prominente de advertencia, como un letrero, en el panel de servicio.
- ⚠ PRECAUCIÓN:** Úsese para fines de ventilación general únicamente. No lo utilice para ventilar materiales peligrosos o explosivos y vapores.
- El trabajo de instalación y de cableado eléctrico lo debe realizar una persona calificada de acuerdo con todos los códigos y normas correspondientes, incluyendo una construcción calificada contra incendios.
  - Se necesita suficiente aire para una combustión y ventilación adecuada de gases a través del tiro (chimenea) del equipo de quemado de combustible para evitar un desfogue descendente posterior. Siga las pautas y normas de seguridad del fabricante del equipo calefactor como las publicadas por la National Fire Protection Association (NFPA), y la American Society for Heating, Refrigeration and Air Conditioning Engineers (ASHRAE), y las autoridades del código local.
  - Al cortar o perforar la pared o el techo, no dañe el cableado eléctrico y otras conexiones de servicios públicos ocultas.
  - Los ventiladores de los conductos deben siempre tener ventilación hacia el exterior.
  - Para reducir el riesgo de incendio, use únicamente conductos metálicos.
  - Se puede usar tubería de alcantarilla de PVC como conductos debajo de bloques de concreto si lo permite la autoridad de códigos locales.
  - Esta unidad debe estar conectada a tierra.

### **PRECAUCIONES DE SEGURIDAD**

### **⚠ ¡ADVERTENCIA!**

**PARA REDUCIR EL RIESGO DE UN INCENDIO POR GRASA DE LA ESTUFA:**

- Nunca deje las unidades de la superficie sin atención a niveles altos. Los hervores excesivos causan humo y derramamientos de grasa que se pueden encender. Caliente el aceite lentamente en niveles bajo o medio.
- Sigue encienda la campana cuando cocine con alto calor o cuando cocine alimentos llameantes.
- Limpie el mecanismo de ventilación con frecuencia. No se debe permitir la acumulación de grasa en el mecanismo de ventilación o filtro.
- Use el tamaño de sartén adecuado. Siempre use batería de cocina apropiada para el tamaño del elemento de la superficie.

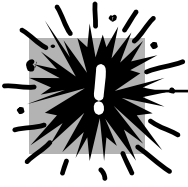
Seguridad

Operación

Instrucciones de instalación

Solucionar problemas

SopORTE al consumidor



## PRECAUCIONES DE SEGURIDAD

### ⚠ ¡ADVERTENCIA!

PARA REDUCIR EL RIESGO DE UNA LESIÓN A LAS PERSONAS EN EL EVENTO DE UN INCENDIO POR GRASA DE LA ESTUFA, OBSERVE LO SIGUIENTE:\*

**A. SOFOQUE LAS LLAMAS** con una tapa que cierre firmemente, lata de galletas o bandeja de metal, luego apague el quemador. **TENGA CUIDADO, EVITE LAS QUEMADURAS.** Si las llamas no se apagan de inmediato, **EVACUE Y LLAME A LA ESTACIÓN DE BOMBEROS.**

**B. NUNCA TOME UN SARTÉN EN LLAMAS**—usted podría sufrir quemaduras.

**C. NO USE AGUA,** ni paños o toallas mojadas; podría producirse una explosión violenta de vapor.

**D. Use un extintor ÚNICAMENTE si:**

1. Sabe que tiene un extintor clase ABC, y ya sabe cómo operarlo.
2. El incendio es menor y está contenido en el área donde inició.
3. Ya llamó al departamento de bomberos.
4. Puede combatir el incendio mientras su espalda está cerca de una salida.

*\*Basado en "Consejos para la seguridad de incendios en la cocina" publicado por NFPA.*

**⚠ PRECAUCIÓN:** Úsese para fines de ventilación general únicamente. No lo utilice para ventilar materiales y vapores peligrosos o explosivos.

*Cerciórese de que todos los dedos estén alejados de la parte alta del ventilador de tiro descendente cuando éste se baje.*

**Si necesita servicio...**

No intente reparar o reemplazar alguna parte del sistema de tiro descendente, a menos que se recomiende específicamente en esta guía. Todos los servicios se deben encargar a un técnico calificado.



## SERVICIO

*Cerciórese de que la corriente está apagada antes de realizar servicio a la unidad.*

Podría ser necesario retirar el sistema de ventilación de tiro descendente para realizar el servicio de los componentes como el motor del ventilador o el mecanismo de ventilación de aire.

Desconecte la corriente hacia la estufa y retírelo primero. Realice los pasos a la inversa de la sección *Instale el sistema de tiro descendente* para retirar el ventilador.

Las partes de servicio se encuentran disponibles en un centro de Servicios y partes de GE.

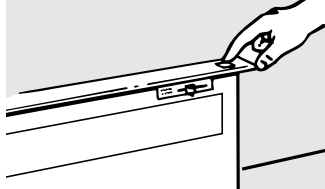
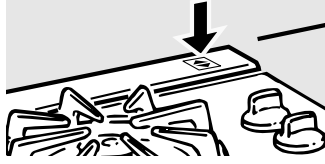


**LEA Y SIGA CUIDADOSAMENTE ESTAS INSTRUCCIONES DE SEGURIDAD.**

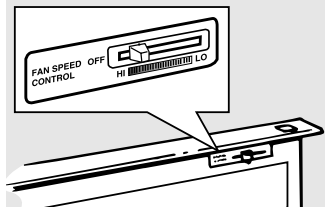
**GUARDE ESTAS INSTRUCCIONES**

# Uso del sistema de tiro descendente.

Seguridad



En algunos modelos, el interruptor Raise / Lower se encuentra en la parte superior derecha de la unidad.



Use el interruptor de selección para encender, apagar o cambiar la velocidad del ventilador.

## Interruptor Raise / Lower (subir / bajar) (modelos de 30" únicamente)

Encienda el ventilador de tiro descendente presionando el interruptor Raise / Lower ubicado en la parte superior derecha de la unidad. Coloque el dedo en el centro del interruptor y sostenga hasta que observe la unidad está en movimiento, luego libere. El sistema de ventilación de aire se levantará. Use el interruptor selector para encender (**ON**), apagar (**OFF**) o cambiar la velocidad del ventilador.

Para bajar el aparato, presione nuevamente el interruptor Raise / Lower en la parte superior derecha. Si se deja encendido, el ventilador se apagará automáticamente cuando se baje la unidad.

**NOTA:** Para una operación más conveniente, fije el ventilador a la velocidad que usa con la mayor frecuencia. El ventilador se encenderá en esta velocidad cada vez que la unidad se suba.

Operación

Instrucciones de instalación



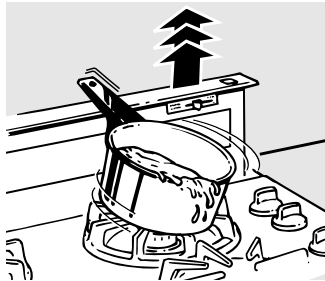
La ubicación del interruptor Raise / Lower puede variar.

## Interruptor Raise / Lower (subir / bajar) remoto (modelos de 36" únicamente)

Los modelos de 36" tienen un interruptor remoto para subir y bajar. Opera de la misma manera que el interruptor ubicado en la unidad. Es posible colocar este interruptor al lado de la estufa o en una ubicación conveniente.

Solucionar problemas

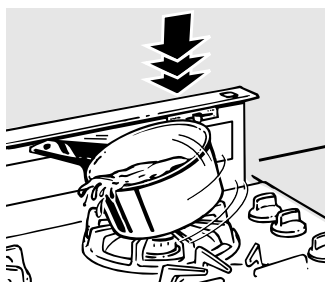
## Uso de la estufa



**⚠ PRECAUCIÓN:** Tenga cuidado al levantar o bajar el sistema de ventilación de tiro descendente. Cerciérese de que las ollas, manijas de las ollas y otros objetos estén alejados del ventilador y no se puedan golpear o voltear cuando éste se levante.

■ Para evitar lesiones, cerciérese de que los dedos estén lejos de la tapa del sistema de ventilación cuando esté bajando.

■ Mantenga las manos y los dedos lejos de las partes del sistema de ventilación.



**NOTA:** Hay una porción que sobresale ligeramente en cada extremo de la unidad de ventilación.

SopORTE al consumidor



## Consejos para cocinar

El alto movimiento de aire de este sistema de tiro descendente puede aumentar el tiempo de cocción para algunos alimentos. Es posible que se necesite más tiempo para alcanzar las altas temperaturas de cocción si el sistema de tiro descendente se enciende directamente en alta velocidad. Ajuste la velocidad del ventilador para mejores resultados al cocinar.

Para mejores resultados al calentar aceite para freír o cuando hierva agua, use las unidades delanteras de la superficie o espere hasta que el agua esté hirviendo o el aceite esté a la temperatura necesaria para freír antes de encender el sistema de tiro descendente.

*Es posible que el sistema de tiro descendente no capture por completo todo el vapor de los sartenes en los quemadores delanteros.*

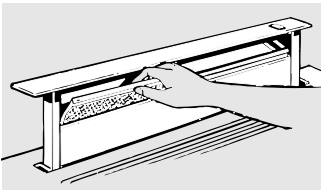
## Preparación de conservas

Al preparar conservas de alimentos en una olla de preparación de conservas (canner) con baño de agua, se debe mantener un hervor leve pero constante por el tiempo necesario.

Al preparar conservas en una olla de preparación de conservas a presión, la presión se debe mantener continuamente por el tiempo necesario.

El uso del ventilador en la velocidad alta (**HIGH**) al preparar conservas puede reducir la temperatura lo suficiente como para que deje de hervir. Mientras esté preparando conservas, recomendamos usar el sistema de tiro descendente en la velocidad baja (**LOW**) y las unidades delanteras de la superficie.

## Cuidado y limpieza del sistema de tiro descendente.



### Filtros para grasa

La eficiencia de su sistema de tiro descendente depende de un filtro limpio. La frecuencia de la limpieza depende del tipo de cocción que realice. Los filtros para grasa se deben limpiar al menos una vez al mes. Nunca opere el sistema de tiro descendente sin los filtros en su lugar.

**Para retirar:** Hale los filtros hacia fuera tomándolos y halándolos de forma recta.

**Para limpiar:** Empape y luego agite en una solución de detergente caliente. Puede cepillar ligeramente para retirar la suciedad incrustada. Enjuague, agite y retire la humedad antes de volver a colocarlos.

También es posible limpiar los filtros en la lavadora de platos.

Con un cuidadoso manejo, el filtro durará por años. Si es necesario reemplazarlo, ordene las partes al concesionario.

### Superficies pintadas o metálicas

Limpie las superficies grasosas con frecuencia usando un detergente suave.

**No use un paño, almohadilla de fibra metálica o limpiador en polvo abrasivos que puedan estropear la superficie.**

### Superficies de acero inoxidable (en algunos modelos)

**No use una almohadilla de fibra metálica; rayará la superficie.**

- 1 Agite bien la botella.
- 2 Coloque una pequeña cantidad del limpiador para aparatos de acero inoxidable CERAMA BRYTE® Stainless Steel Appliance Cleaner en un paño o toalla de papel **húmedos**.
- 3 Limpie un área pequeña (aproximadamente 8" x 8"), restregando con la veta del acero inoxidable si es el caso.
- 4 Seque y brille con una toalla de papel limpia y seca o con un paño suave.
- 5 Repita según sea necesario.

**NOTA:** Si anteriormente se ha utilizado un limpiador de electrodomésticos de acero inoxidable basado en aceite para limpiar la

superficie, lave la superficie con jabón de platos y agua antes de usar el producto CERAMA BRYTE® Stainless Steel Appliance Cleaner. Después de lavar la superficie con jabón para platos y agua, use una cantidad generosa de CERAMA BRYTE® Stainless Steel Appliance Cleaner para limpiar el electrodoméstico.

### Para ordenar el producto

Para ordenar el limpiador CERAMA BRYTE® Stainless Steel Appliance Cleaner, llame a nuestro número de llamada gratuita:

**Centro nacional de partes**

**800.626.2002**

**www.GEAppliances.com**

**Limpiador de acero inoxidable para limpiar electrodomésticos CERAMA BRYTE® ... #PM10X311**

# Instrucciones de instalación

# Sistema de ventilación de tiro descendente

Si tiene preguntas, llame a 800.GE.CARES o visite nuestro sitio Web: [www.GEAppliances.com](http://www.GEAppliances.com)

## ANTES DE EMPEZAR

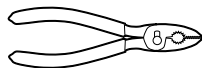
Lea estas instrucciones completa y cuidadosamente.

- **IMPORTANTE** — Guarde estas instrucciones para uso del inspector local.
- **IMPORTANTE** — Observe todos los códigos y ordenanzas vigentes.
- **Nota para el instalador** – Cerciórese de dejar estas instrucciones en poder del consumidor.
- **Nota para el consumidor** – Mantenga estas instrucciones para referencia futura.
- **Nota** – Es necesario conectar este aparato a tierra correctamente.
- La instalación apropiada es responsabilidad del instalador.
- La falla del producto debido a una instalación incorrecta no está cubierta por la garantía.

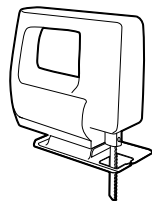
## HERRAMIENTAS NECESARIAS



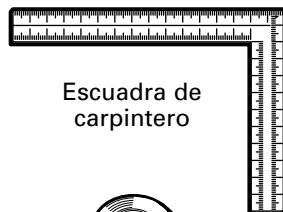
Destornillador de pala plana



Alicates



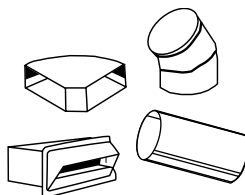
Sierra de vaivén



Escuadra de carpintero



Cinta para conductos

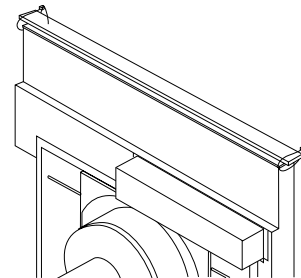


Ductos de acuerdo a la instalación

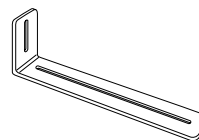
## RETIRO DEL EMPAQUE

Abra la caja y retire el paquete de partes. Revise el contenido para cerciorarse de que las piezas estén completas. (Es posible que el paquete de partes esté unido al cable de energía).

Retire los materiales de envío. Retire la caja y ponga a un lado. La caja se puede usar como una almohadilla al cambiar o ajustar la dirección del ventilador.

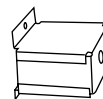


## PARTES INCLUIDAS



Soportes estabilizadores (todos los modelos) (4)

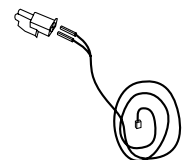
Ensambladura remota del interruptor Raise / Lower (para los modelos de 36" únicamente)



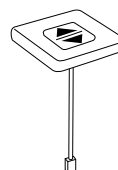
Caja de cables (2) y tornillos (4)



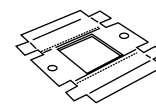
Cinta plástica de ajuste de presión (strain relief) (2)



Cable y conector blanco (1)



Plato de cubierta del interruptor (1)

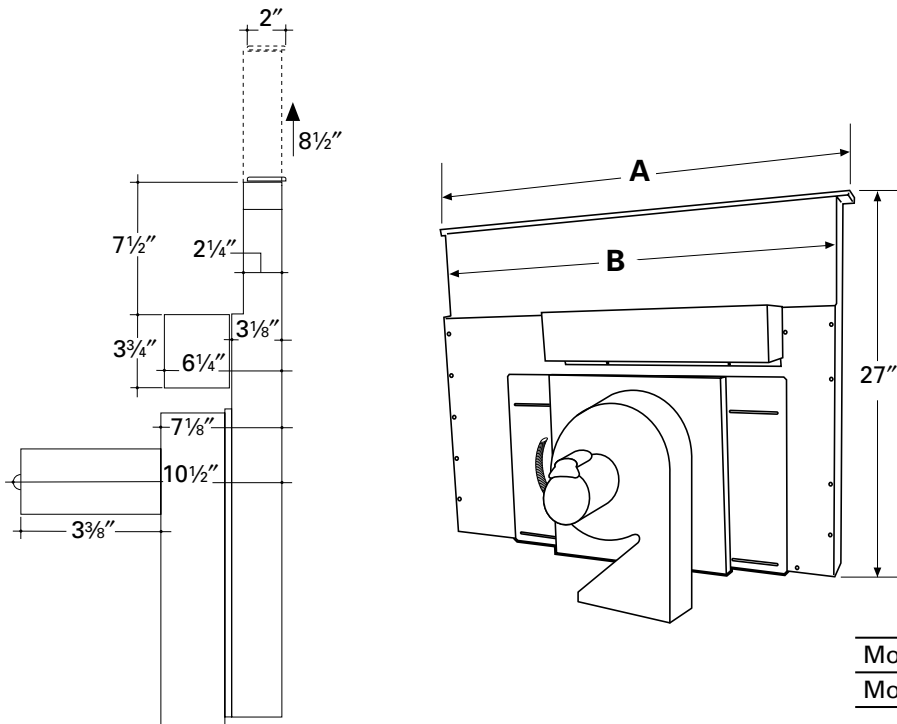


Soportes del accesorio (1)

# Instrucciones de instalación

## DIMENSIONES Y ESPACIOS

**⚠ PRECAUCIÓN:** El papel de colgadura, las encimeras y los gabinetes deben soportar calor de 200°F generado por cualquier estufa.



## ⚠ ¡ADVERTENCIA! INSTRUCCIONES DE SEGURIDAD PARA LA INSTALACIÓN

PARA REDUCIR EL RIESGO DE INCENDIO, CHOQUE ELÉCTRICO O LESIÓN A LAS PERSONAS, TOMA EN CUENTA LO SIGUIENTE:

- A** El trabajo de instalación y el cableado eléctrico deben estar a cargo de un individuo calificado de acuerdo con los códigos y normas aplicables, incluyendo una construcción calificada contra incendios.
- B** Los ventiladores del conducto siempre deben tener salida hacia fuera.
- C** Al cortar o perforar la pared o el techo, no dañe el cableado eléctrico u otros cables ocultos de servicios públicos.

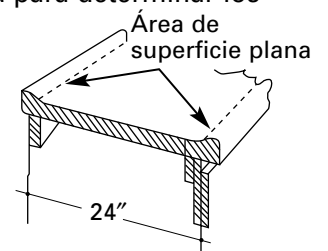
**⚠ ADVERTENCIA** — Para reducir el riesgo de incendio, use únicamente conductos de metal.



**IMPORTANTE:** Este sistema de ventilación está recomendado para la instalación de estufas tipo isla. Las instalaciones contra la pared están limitadas debido a los requisitos de profundidad de la encimera. La profundidad combinada del sistema de ventilación y la estufa requiere una superficie adicional de encimera plana profunda.

La encimera debe tener al menos 26" de profundidad con un área de superficie plana de 23 1/2" o más, desde el frente hacia atrás. (**NOTA:** JGP932S, JP350SC, JP930SC y JP938SC requieren un área de superficie plana de 23 5/8".) Además, se deben considerar otros espacios hacia el borde delantero de la encimera.

- Consulte las ilustraciones específicas de corte con su modelo de estufa para determinar los requisitos.
- Es posible que una encimera con un borde levantado no permita suficiente área plana para la instalación.



# Instrucciones de instalación

## PLANIFICACIÓN ANTICIPADA

### ESPACIOS

- La instalación debe cumplir con los códigos locales.
- El sistema de tiro descendente con ventilador, motor y conductos ocupará el gabinete por debajo de la encimera y estufa.
- La ensambladura del ventilador / motor se debe ubicar debajo del piso del gabinete. La ensambladura se ajustará entre viguetas de piso de 16".

*En esta instalación, se requiere un tubo de transición circular de 6".*

- La ensambladura del motor del ventilador puede también instalarse en exteriores. Ordene el JXBC67 para la instalación del ventilador remoto en exteriores.
- Consulte la sección *Dimensiones y Espacios* para información sobre la colocación apropiada y los espacios necesarios al planear la instalación.
- Consulte las instrucciones de instalación específicas de su estufa para otros espacios necesarios.
- Cuando sea posible, evite colocar gabinetes directamente encima de la superficie de la estufa.
- **Si usa gabinetes encima de la superficie de la estufa:**

La instalación debe cumplir con los códigos locales.

Use gabinetes no superiores a 13" de profundidad.

Mantenga un espacio mínimo de 30" entre la estufa y los gabinetes no protegidos directamente encima de la estufa.

Si el espacio es inferior a 30", proteja el fondo de los gabinetes con cartón ignífugo de un espesor mínimo de 1/4" o una lámina de yeso de un espesor mínimo de 3/16" cubierto con una plancha de acero de calibre 28 o cobre de .02" de espesor.

El espacio entre la estufa y los gabinetes protegidos no debe ser inferior a 24".

**EXCEPCIÓN:** La instalación de un horno de microondas o electrodoméstico aprobados por encima de la estufa se debe conformar a las instrucciones de instalación que vienen con dicho aparato.

- Las áreas de trabajo adyacentes a la estufa deben mantener un espacio mínimo de 18" entre la encimera y el fondo del gabinete.

### DUCTOS

**Prepare el conducto de ventilación hacia el exterior.**

- Use el recorrido más corto y directo posible para el conducto.  
La longitud máxima permitida para el recorrido del conducto es 150 pies.  
Consulte la tabla de *Accesorios para el conducto* para calcular la longitud equivalente de las diferentes configuraciones de conductos.
- El sistema de ventilación de tiro descendente está diseñado para conductos de 3¼" x 10". Se puede efectuar la transición con un tubo circular de 6".
- Los conductos **DEBEN** tener salida hacia el exterior—nunca hacia un espacio pequeño, ático u otro espacio cerrado.
- Determine la necesidad de una tapa de pared o tapa de techo. Compre la tapa con anticipación en su centro de productos para el hogar o de suministros de plomería.

### UBICACIÓN DE LA CONEXIÓN ELÉCTRICA Y DE GAS DE LA ESTUFA

**Planee cuidadosamente la ubicación de la salida eléctrica y de gas (si se usa). Las salidas de gas o eléctrica no se pueden colocar en la pared posterior del gabinete, ya que puede interferir con el pleno del tiro descendente.**

Instale una salida eléctrica estándar dentro del alcance del cable eléctrico de 2 pies de largo de la unidad de ventilación.

- La unidad de ventilación y una combinación de estufa a gas pueden operar en la misma salida dúplex estándar de 120V.
- Las estufas eléctricas deben operar desde una caja de empalme de 240V.

### INTERRUPTOR REMOTO (para modelos de 36" únicamente)

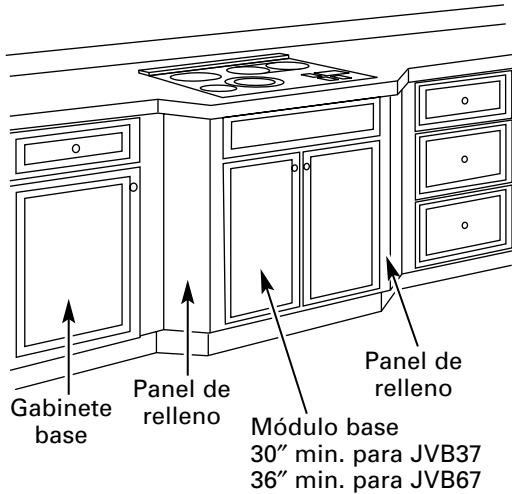
La unidad de tiro descendente tiene un interruptor Raise / Lower separado. Planee la instalación del interruptor en un lugar conveniente por fuera del corte del sistema de ventilación / estufa.

# Instrucciones de instalación

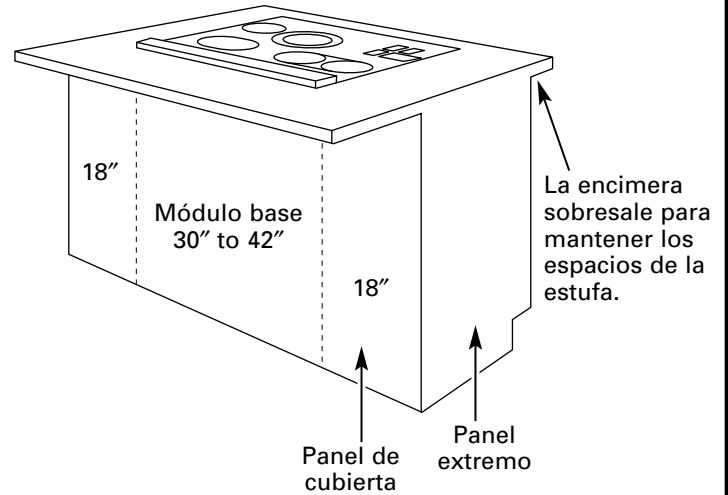
## POSIBILIDADES DE INSTALACIÓN

Cuando el diseño de la cocina exija una instalación contra la pared, mueva la base del gabinete de 24" de profundidad hacia delante, de 3" a 5". Los paneles de relleno se pueden colocar en ángulo o planos para rellenar el espacio entre los gabinetes adyacentes.

Mantenga los espacios de corte hacia el borde delantero de la forma especificada.



En un diseño tipo isla o península, la encimera puede tener profundidad adicional para ofrecer la posibilidad de sentarse frente a la estufa. Agregar gabinetes de base en cada lado de la encimera ofrece almacenamiento adicional y espacio de trabajo en la encimera.



# Instrucciones de instalación

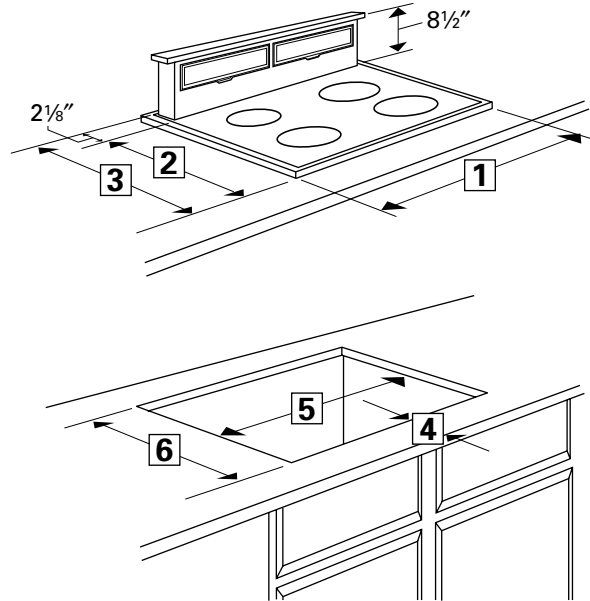
## INSTALACIÓN DEL SISTEMA DE VENTILACIÓN DE TIRO DESCENDENTE

### UNIDAD DE ESTUFA / TIRO DESCENDENTE DE 30" JVB37

**NOTA:** Antes de empezar, mida y marque la dimensión 3 para garantizar que hay una superficie disponible de encimera plana adecuada.

Identifique la ilustración del corte para el modelo de estufa que está instalando con este sistema de ventilación de tiro descendente.

- Trace líneas en la encimera para seguirlas como una guía de corte.
- Cerciérese de que los costados de la abertura estén paralelos y los cortes traseros y delanteros sean exactamente perpendiculares (alguno derecho) a los costados.



Modelo No.	Planificación de instalación de estufa eléctrica y de gas de 30" con ventilación de tiro descendente				Preparación del corte	
	1	2	3	4	5	6
	Ancho total	Profundidad total de la superficie de la estufa	Profundidad de la superficie con la unidad de tiro descendente*	Corte de retracción mínimo hasta el borde delantero**	Ancho de corte combinado	Profundidad de corte combinada
JP326	30-1/4"	21-1/4"	23-3/8"	2-1/2"	28-1/2"	22-3/8"
JP340 JP350 JP930 JP931 JP938 JP939	29-3/4"	20-7/8"	23"	2-1/2"	28-1/2"	22-1/4"
JP350SC JP930SC JP938SC	29-7/8"	21-1/2"	23-5/8"	2-1/2"	28-1/2"	22-3/8"
JGP328 JGP933 JGP933S	30"	21"	23-1/8"	2-1/2"	28-1/2"	22-3/8"
JGP336	30"	21"	23-1/8"	2-1/2"	28-1/2"	22-1/4"
JGP932	29-3/4"	21"	23-1/8"	2-1/2"	28-1/2"	22-1/4"
JGP930S	30"	21-1/4"	23-3/8"	2-1/2"	28-1/2"	22-1/4"
JGP932S	29-7/8"	21-5/8"	23-3/4"	2-1/2"	28-1/2"	22-5/8"

\*Incluye un espacio de 1/8" entre la estufa y el listón de la unidad

\*\*Necesario para mantener las aprobaciones UL o AGA

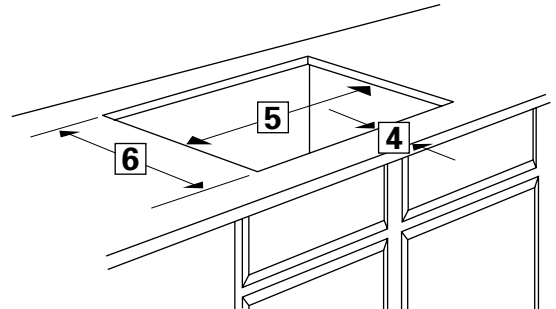
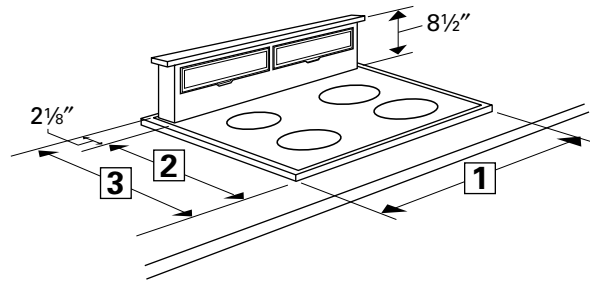
# Instrucciones de instalación

## UNIDAD DE ESTUFA / TIRO DESCENDENTE DE 36" JVB67

**NOTA:** Antes de empezar, mida y marque la dimensión 3 para garantizar que hay una superficie disponible de encimera plana adecuada.

Identifique la ilustración del corte para el modelo de estufa que está instalando con este sistema de ventilación de tiro descendente.

- Trace líneas en la encimera para seguirlas como una guía de corte.
- Cerciórese de que los costados de la abertura estén paralelos y los cortes traseros y delanteros sean exactamente perpendiculares a los costados.



Modelo No.	Planificación de instalación de estufa eléctrica y de gas de 36" con ventilación de tiro descendente				Preparación del corte	
	1	2	3	4	5	6
	Ancho total	Profundidad total de la superficie de la estufa	Profundidad de la superficie con la unidad de tiro descendente*	Corte de retracción mínimo hasta el borde delantero**	Ancho de corte combinado	Profundidad de corte combinada
JP626	35-1/2"	21"	23-1/8"	2-1/2"	34"	21-1/8"
JP960 JP961 JP968 JP969	36"	20-3/8"	22-1/2"	2-1/2"	34"	21-3/4"
JP960S JP968S	36-1/8"	21"	23-1/8"	2-1/2"	34"	21-7/8"
JGP628 JGP963 JGP963S	36"	21"	23-1/8"	2-1/2"	34"	21-7/8"
JGP636	36"	21"	23-1/8"	2-1/2"	34"	21-7/8"
JGP960S	36"	21-1/4"	23-1/8"	2-1/2"	34"	22-7/8"
JGP962	36"	20-7/16"	22-9/16"	2-1/2"	34"	21-3/4"
JGP962S	36-1/8"	21-1/16"	23-3/16"	2-1/2"	34"	22-1/8"

\*Incluye un espacio de 1/8" entre la estufa y el listón de la unidad

\*\*Necesario para mantener las aprobaciones UL o AGA

## INSTALACIÓN DEL SISTEMA DE VENTILACIÓN DE TIRO DESCENDENTE

### SUMINISTRO DE CORRIENTE

Este sistema de ventilación de tiro descendente debe abastecerse con un suministro de 120V, 60Hz, y conectarse a un circuito ramal individual correctamente conectado a tierra, protegido por un interruptor de circuitos de 15 ó 20 amperios o un fusible con retardo.

#### Estufas a gas

Si la unidad se instala en una combinación con una estufa a gas, puede operar en el mismo tomacorriente dúplex.

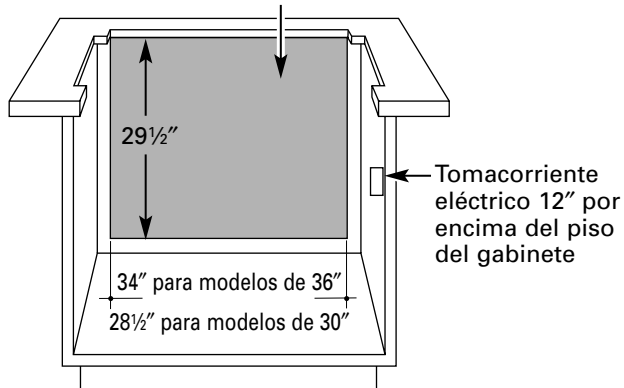
#### Estufas eléctricas

Si este ventilador se instala en combinación con una estufa eléctrica, el ventilador se debe operar en una tomacorriente independiente de 120V.

Se debe ubicar un tomacorriente de tres patas correctamente conectado a tierra dentro del alcance del cable eléctrico de 2 pies de la unidad del ventilador.

- Coloque el tomacorriente al interior del gabinete en la pared derecha. El tomacorriente no se debe colocar en la parte trasera de la pared del gabinete donde pueda interferir con el pleno de la corriente descendente. Consulte la ilustración.

No deje las conexiones de gas o eléctrica dentro del área sombreada.



**NOTA:** No use un cable de extensión o enchufe adaptador para este aparato. Siga los códigos eléctricos nacionales o los códigos y ordenanzas locales vigentes.



# Instrucciones de instalación

## LONGITUD DEL CONDUCTO Y ACCESORIOS

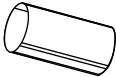
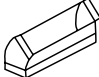

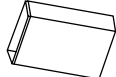
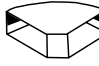
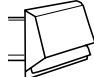

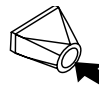


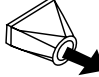

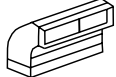

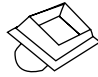
**NOTA: ¡No supere la longitud máxima permitida equivalente a 150 pies!**

Conductos flexibles: Si se usan conductos de metal flexibles, se deben duplicar todas las medidas en pies equivalentes en la tabla. El conducto metálico flexible debe ser recto y liso y extenderse al máximo posible.



**NO USE** conductos plásticos flexibles.

Agregue las longitudes equivalentes para todas las piezas y transiciones de conductos usados para garantizar que el trayecto del conducto no supere el máximo de 150.

Piezas del conducto	Longitud equivalente*	Piezas del conducto	Longitud equivalente*	Piezas del conducto	Longitud equivalente*
 Tubo circular recto de 6" (15 cm)	1 pie (30 cm) (por longitud en pies)	 Codo de 45° de 3/4" x 10" (8 cm x 25 cm)	5 pies (1.52 ms)	 Codo de 90° de transición circular de 3/4" x 10" (8 cm x 25 cm) hasta 6" (15 cm)	12 pies (3.66 ms)
 Tubo recto de 3/4" x 10" (8 cm x 25 cm)	1 pie (30 cm) por longitud en pies	 Codo plano de 90° de 3/4" x 10" (8 cm x 25 cm)	24 pies (7.32 ms)	 Tapa de pared circular de 6" (15 cm) con regulador de tiro	21 pies (6.40 ms)
 Codo de 90° de 6" (15 cm)	15 pies (4.57 ms)	 Transición circular de 6" (15 cm) hasta 3/4" x 10" (8 cm x 25 cm)	7 pies (2.13 ms)	 Tapa de pared con regulador de tiro de 3/4" x 10" (8 cm x 25 cm)	27 pies (8.23 ms)
 Codo de 45° de 6" (15 cm)	9 pies (2.74 ms)	 Transición circular de 3/4" x 10" (8 cm x 25 cm) hasta 6" (15 cm)	5 pies (1.52 ms)	 Tapa de techo circular de 6" (15 cm)	20 pies (6.1 ms)
 Codo de 90° de 3/4" x 10" (8 cm x 25 cm)	16 pies (4.88 ms)	 Codo de 90° de transición circular de 6" (15 cm) hasta 3/4" x 10" (8 cm x 25 cm)	20 pies (6.1 ms)	 Ventilador de techo circular de 6" (15 cm)	24 pies (7.32 ms)

### NO SE DEBE EXCEDER EL EQUIVALENTE A 150 PIES

\*Las longitudes equivalentes de las piezas del conducto están basadas en pruebas reales realizadas por GE Evaluation Engineering y reflejan los requisitos para el buen desempeño del sistema de ventilación. Consulte la gráfica de la longitud de los conductos CFM.

# Instrucciones de instalación

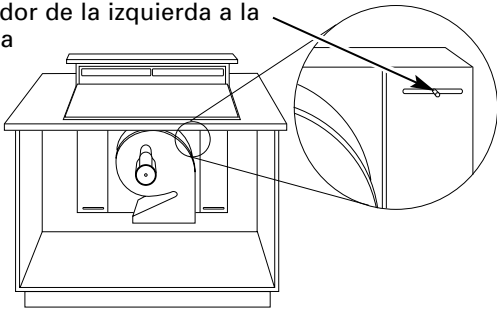
## INSTALACIÓN DEL SISTEMA DE VENTILACIÓN DE TIRO DESCENDENTE

### OPCIONES DE VENTILACIÓN

#### Ajustes de lado a lado

El plato completo de montaje del ventilador se puede ajustar 3½" hacia la izquierda o derecha. Esto ayudará a alinear la descarga del ventilador hacia el conducto de la casa.

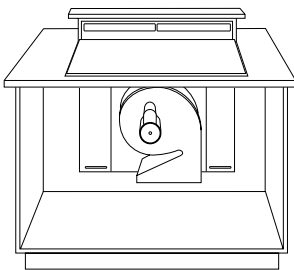
Afloje los tornillos para ajustar el ventilador de la izquierda a la derecha



#### Dirección de la descarga

Es posible retirar la ensambladura del ventilador y girarla 90° para una descarga hacia la derecha o hacia la izquierda.

- El ventilador de tiro descendente se envía con la salida de descarga señalando directamente hacia abajo y se puede cambiar hacia el lado izquierdo o derecho.



Descarga hacia abajo  
(tal como se suministra)

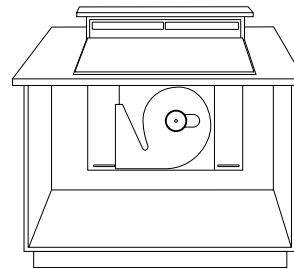
- Un ajuste de dirección de 90° hacia la izquierda o derecha se debe realizar antes de caer en la abertura de la encimera.
- Aplane la caja de envío para usarla como una almohadilla.
- Coloque el ventilador con el costado en la almohadilla.

### Para cambiar la descarga hacia la izquierda o derecha

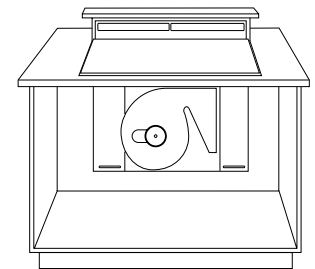
- 1 Retire los 4 tornillos que sostienen el ventilador con la ensambladura del plato de montaje. Retenga los tornillos.
- 2 Retire la ensambladura del ventilador, voltee la para tener acceso a las 4 tuercas que sostienen el ventilador con el plato de montaje. Retire las tuercas.

**I** **IMPORTANTE:** No levante el motor por el cable eléctrico.

- 3 Gire el ventilador hacia la dirección de descarga izquierda o derecha y vuelva a instalar las 4 tuercas.



Descarga hacia la derecha



Descarga hacia la izquierda

- 4 Vuelva a instalar el ventilador y el plato de montaje con los tornillos originales.

### Para localizar los orificios del conducto en el piso del gabinete o paredes laterales

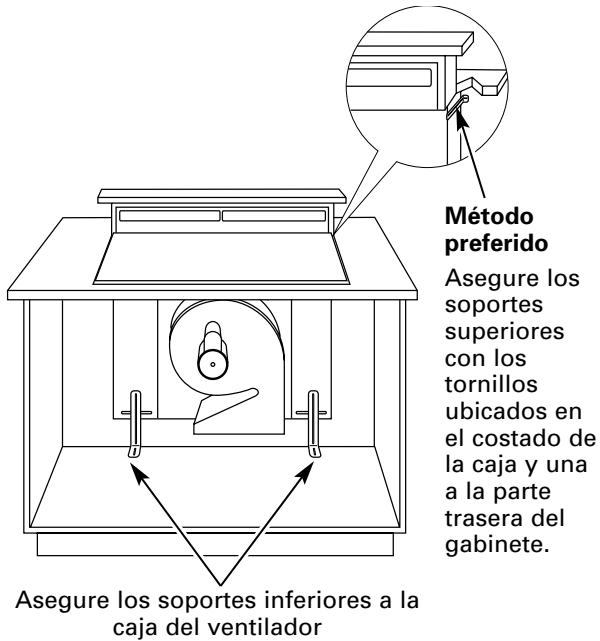
- 1 Temporalmente, coloque el ventilador en la abertura de la encimera.
- 2 Empuje el ventilador completamente hasta el fondo de la abertura.
- 3 Si está haciendo una transición a un tubo circular de 6", coloque la transición (obtenida localmente) por encima de la salida de descarga.
  - Marque la ubicación y retire la ensambladura.
  - Corte los orificios e instale las conexiones del conducto.

Ordene el JXRB67 para la instalación del ventilador y el motor por debajo del piso.

Ordene el JXBC67 para la instalación del ventilador y el motor al exterior.

# Instrucciones de instalación

## 1 INSTALE EL VENTILADOR DE TIRO DESCENDENTE



Coloque el ventilador de tiro descendente en el corte de la encimera, contra el lado posterior.

- A** Asegure la unidad de tiro descendente a los soportes de la encimera suministrados. Consulte la ilustración.
- B** Asegure dos soportes en el lado del ventilador y asegure a la pared trasera del gabinete.
- C** Instale 2 soportes en el fondo de la unidad de ventilación. Una los soportes a los tornillos de control en la unidad de ventilación y al piso usando tornillos de madera (no suministrados).

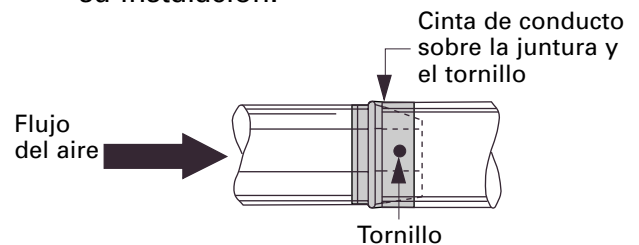
Al instalar en una encimera de tableta, puede ser necesario aplicar un enmasillado localmente aprobado para cubrir cualquier orificio.

## 2 INSTALE EL CONDUCTO

Use un conducto de 3¼" x 10" ó 6" circular, galvanizado calibre 26 o de aluminio calibre 24 como mínimo. Se deben usar tubos de PVC si se instala debajo de una vigueta de concreto vaciado.

**NO USE** conductos flexibles.

- Siempre use una tapa de techo o de pared con el regulador de tiro. No se deben usar las tapas de pared de tipo lavandería. Consulte la tabla de *Longitud del conducto y accesorios*.
- Use el trayecto más directo posible.
- Para un desempeño satisfactorio, el trayecto del conducto no debe superar los 150 pies o su longitud equivalente al usar dobleces o diferentes accesorios. Consulte la tabla de longitudes equivalentes para calcular su instalación.



- Instale el conducto de manera que la pieza de conducto más cercana a la unidad de tiro descendente encaje **DENTRO** de la siguiente pieza del conducto. Asegure los empates con tornillos auto enroscantes y aplique cinta de conductos alrededor de los empates para garantizar un sellamiento hermético.

# Instrucciones de instalación

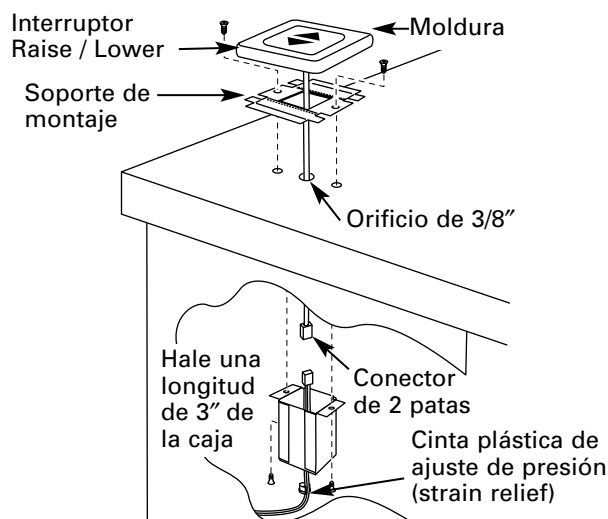
## INSTALACIÓN DEL SISTEMA DE VENTILACIÓN DE TIRO DESCENDENTE

### 3 INSTALE EL INTERRUPTOR RAISE / LOWER (SUBIR / BAJAR)

**NOTA:** El paso 3 es para modelos de 36" únicamente. Ignore este paso si está instalando un modelo de 30".

**⚠ ADVERTENCIA** — Desconecte la corriente eléctrica de la unidad antes de empezar la instalación del interruptor. No hacerlo podría resultar en lesiones personales o daños a los controles eléctricos.

**NOTA:** Determine la ubicación del interruptor Raise / Lower. El cable tiene una longitud de 68".

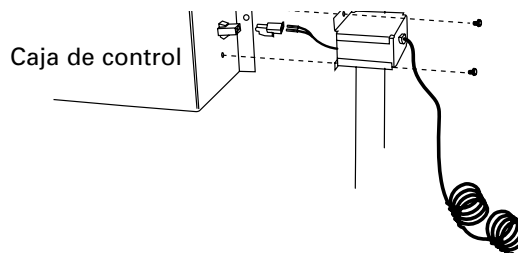


- A** Perfore un orificio de 3/8" en la ubicación deseada. Use el soporte de montaje como una guía para ubicar el orificio con exactitud. Revise la interferencia entre la tapa del interruptor, los objetos adyacentes y los traslapes de la estufa / unidad del ventilador.
- B** Si el interruptor se instala en una superficie de tableta, perfore un orificio entre las tabletas. Use un enmasillado aprobado para cubrir cualquier orificio.
- C** Centre el soporte de montaje encima del orificio y marque los orificios pilotos. Retire y perfore los orificios de acuerdo al tipo de encimera.
- D** Instale el soporte del interruptor metálico con los tornillos (no provistos). Seleccione los tornillos según el tipo de encimera o use un adhesivo aprobado localmente.

- E** Retire la película protectora de la parte superior de la moldura del interruptor.
- F** Pele la película de la tira adhesiva en la parte posterior de la montura del interruptor. Pase el cable a través del soporte de montaje y la encimera. Presione la montura sobre el soporte de montaje para fijar el adhesivo.

### Conecte el cable del interruptor Raise / Lower a la caja de cables

- A** Pase el extremo del cable con el conector a través del orificio en el extremo de una caja de cables. Hale aproximadamente 3" de longitud adicional de cable más allá del extremo abierto de la caja.
- B** Conecte los conectores de cable correspondientes.
- C** Instale la caja de cables al fondo de la encimera o directamente detrás del interruptor. Use tornillos o adhesivo apropiado según el tipo de encimera.
- D** Coloque una porción de cinta plástica de ajuste de presión por encima del cable, exactamente por fuera del orificio en el extremo de la caja de cables. No pellizque o voltee el cable. Cierre el ajuste de presión y presione en el orificio.



### Conecte el cable en la caja de control

- A** Pase el cable de 68" por el extremo de la otra caja de cables.
- B** Empuje los cables en el conector blanco suministrado.
- C** Empuje el conector de cables en el conector correspondiente en la caja de control. Instale la caja de cables en el extremo de la caja de control con los tornillos suministrados.
- D** Coloque cinta plástica de ajuste de presión sobre el cable, exactamente por fuera del orificio en el extremo en la caja de cables. No pellizque o tuerza el cable. Cierre el ajuste de presión y presione en el orificio.
- E** Enrolle el cable excesivo y colóquelo a distancia de las partes en movimiento y los contenidos del gabinete.

# Instrucciones de instalación

## 4 CONECTE LA CORRIENTE

Conecte el cable en un tomacorriente correctamente conectado a tierra.

## INSTALE LA ESTUFA

- Con el tiro descendente en la posición hacia abajo, coloque la estufa en el corte.
- Empuje la estufa hacia atrás hasta el borde posterior de la estufa apenas tocando el borde delantero de la tapa del sistema de tiro descendente.
- Con una moneda para medir el espesor, alinee la estufa de manera que haya un espacio mínimo uniforme de 0.05" (el espesor de una moneda de 10 centavos) entre la estufa y la tapa del sistema de tiro descendente.

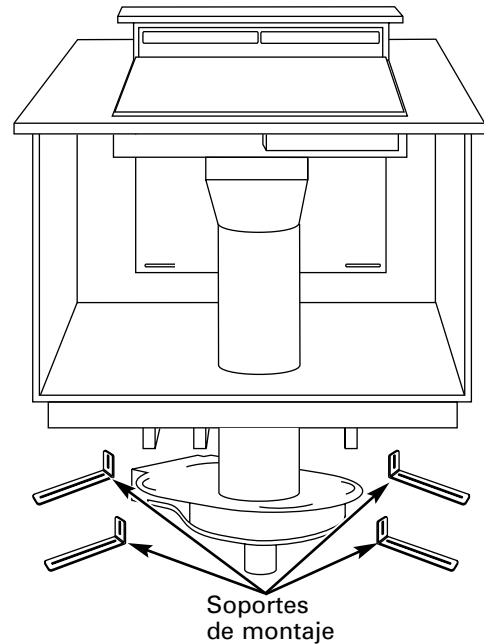
**NOTA:** No fuerce la tapa del sistema de tiro descendente para moverse hacia atrás al alinear la estufa. Esto puede causar que la tapa se impacte y dañe la estufa cuando la unidad suba y baje.

### NOTAS:

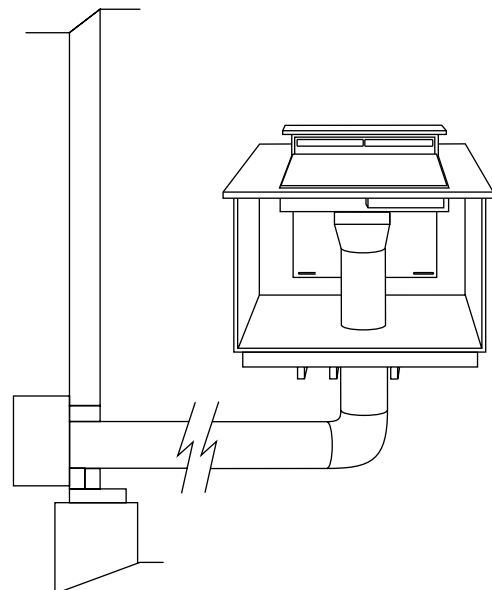
- La alineación exacta de la estufa y del sistema de tiro descendente es necesaria para asegurar que no hay interferencia cuando la unidad suba o baje. Debe haber un espacio de 0.05" (el espesor de una moneda de 10 centavos) entre el borde trasero de la estufa y el borde delantero de la tapa del sistema de tiro descendente.
- La estufa de radiante no se puede instalar de manera alineada cuando se usa este ventilador de tiro descendente.

## KITS OPCIONALES

El **JXRB67** es un accesorio opcional para ubicación remota al interior de la ensambladura del ventilador / motor. Use este kit cuando la ensambladura del ventilador y motor se coloque debajo del piso del gabinete.



El **JXBC67** es un accesorio opcional de cubierta para exteriores para la instalación remota de la ensambladura del ventilador y motor en una pared exterior.



# Antes de llamar a solicitar servicio...

Seguridad



Consejos para la solución de problemas  
 ¡Ahorre tiempo y dinero! Revise la siguiente tabla primero y quizás no sea necesario llamar a solicitar un servicio.

Operación

Problema	Posibles causas	Qué hacer
<b>El ventilador no funciona</b>	La unidad no está completamente extendida.	<ul style="list-style-type: none"> <li>• Presione el interruptor Raise / Lower.</li> </ul>
	El interruptor de control del ventilador puede estar la posición de apagado ( <b>OFF</b> ).	<ul style="list-style-type: none"> <li>• Deslícelo a la derecha.</li> </ul>
<b>La unidad no se levanta</b>	La unidad no está conectada a la corriente.	<ul style="list-style-type: none"> <li>• Conecte la unidad a una tomacorriente de 120V.</li> </ul>
	El interruptor Raise / Lower no activó el motor que levanta la unidad.	<ul style="list-style-type: none"> <li>• Presione el interruptor por un par de segundos para activar el motor.</li> </ul>
	Es posible que el interruptor de circuitos se haya saltado.	<ul style="list-style-type: none"> <li>• Revise el interruptor de circuitos. Vuelva a iniciarlo, de ser necesario.</li> </ul>
	El interruptor remoto no está conectado.	<ul style="list-style-type: none"> <li>• Revise todas las conexiones entre el interruptor remoto y el cuerpo de la unidad.</li> </ul>

Instrucciones de instalación

Solucionar problemas

Soporte al consumidor

# Garantía del sistema de tiro descendente de GE.



Todos los servicios de garantía son suministrados por nuestros Centros de servicio de fábrica, o un técnico autorizado de Customer Care®. Para programar un servicio, por Internet, las 24 horas al día, visítenos en [www.GEAppliances.com](http://www.GEAppliances.com), o llame a 800.GE.CARES (800.432.2737).

Pegue aquí su recibo. Para obtener servicio bajo la garantía es necesaria una prueba de la fecha de compra original.

<b>Por el periodo de:</b>	<b>GE reemplazará:</b>
<b>Un año</b> A partir de la fecha de compra original	<b>Cualquier parte</b> del sistema de tiro descendente que falle debido a un defecto en los materiales o mano de obra. Durante este periodo de <b>un año de garantía</b> , GE también suministra, <b>sin costo</b> , todo el servicio de mano de obra y de fábrica para reemplazar la parte defectuosa.

<b>Qué no cubre GE:</b>	
<ul style="list-style-type: none"> <li>■ Viajes de servicio a su residencia para enseñarle cómo usar el producto.</li> <li>■ Instalación, entrega o mantenimiento incorrectos.</li> <li>■ Falla del producto por abuso, mal uso o por uso diferente para el cual fue diseñado o por uso comercial.</li> <li>■ Reposición de los filtros reemplazables.</li> </ul>	<ul style="list-style-type: none"> <li>■ Reposición de los fusibles de la casa o reinicio de los interruptores de circuito.</li> <li>■ Daños al producto causados por accidentes, incendios, inundaciones o actos de la naturaleza.</li> <li>■ Daños incidentales o consecuenciales causados por posibles defectos con este aparato.</li> <li>■ Daños causados después de la entrega.</li> </ul>

Esta garantía se extiende al comprador original y a cualquier propietario posterior por productos adquiridos para uso en el hogar dentro de EE.UU. En Alaska la garantía excluye el costo de envío o visitas de servicio a su residencia.

Algunos estados no permiten la exclusión o limitación de daños incidentales o consecuenciales. Esta garantía le concede derechos legales específicos y es posible que tenga otros derechos que varían de estado a estado. Para conocer sus derechos legales, consulte con su oficina local o estatal de asuntos del consumidor o con el procurador general de su estado.

Si tiene un problema con la instalación, póngase en contacto con su concesionario o instalador. Usted es responsable de ofrecer las instalaciones adecuadas eléctricas, de gas, escape y cualquier otra conexión como se describe en las instrucciones de instalación entregadas con este producto.

**Garante: General Electric Company, Louisville, KY 40225**

Seguridad

Operación

Instrucciones de instalación

Solucionar problemas

Soporte al consumidor

## Soporte al Consumidor.

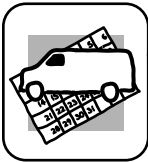
---



### *Página Web de GE Appliances*

[www.GEAppliances.com](http://www.GEAppliances.com)

¿Tiene alguna pregunta sobre su electrodoméstico? ¡Pruebe la página Web de GE Appliances 24 horas al día, cualquier día del año! Para mayor conveniencia y servicio más rápido, ya puede descargar los Manuales de los Propietarios, pedir piezas o incluso hacer una cita en línea para que vengan a realizar una reparación. También puede “Ask Our Team of Experts™” (Preguntar a nuestro equipo de expertos) sobre cualquier cuestión y mucho más...



### *Solicite una reparación*

[www.GEAppliances.com](http://www.GEAppliances.com)

El servicio de expertos GE está a tan sólo un paso de su puerta. ¡Entre en línea y solicite su reparación cuando le venga bien 24 horas al día cualquier día del año! O llame al 800.GE.CARES (800.432.2737) durante horas normales de oficina.



### *Real Life Design Studio (Estudio de diseño para la vida real)*

[www.GEAppliances.com](http://www.GEAppliances.com)

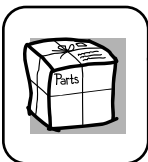
GE apoya el concepto de Diseño Universal—productos, servicios y ambientes que pueden usar gente de todas las edades, tamaños y capacidades. Reconocemos la necesidad de diseñar para una gran gama de habilidades y dificultades físicas y mentales. Para más detalles sobre las aplicaciones de GE Diseño Universal, incluyendo ideas de diseño para la cocina para personas con discapacidades, mire nuestra página Web hoy mismo. Para personas con dificultades auditivas, favor de llamar al 800.TDD.GEAC (800.833.4322).



### *Garantías ampliadas*

[www.GEAppliances.com](http://www.GEAppliances.com)

Compre una garantía ampliada y obtenga detalles sobre descuentos especiales disponibles mientras su garantía está aún activa. Puede comprarla en línea en cualquier momento, o llamar al 800.626.2224 durante horas normales de oficina. GE Consumer Home Services estará aún ahí cuando su garantía termine.

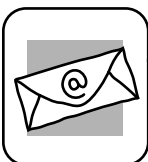


### *Piezas y accesorios*

[www.GEAppliances.com](http://www.GEAppliances.com)

Aquellos individuos con la calificación necesaria para reparar sus propios electrodomésticos pueden pedir que se les manden las piezas o accesorios directamente a sus hogares (aceptamos las tarjetas VISA, MasterCard y Discover). Haga su pedido en línea hoy, 24 horas cada día o llamar por teléfono al 800.626.2002 durante horas normales de oficina.

**Las instrucciones descritas en este manual cubren los procedimientos a seguir por cualquier usuario. Cualquier otra reparación debería, por regla general, referirse a personal calificado autorizado. Debe ejercerse precaución ya que las reparaciones incorrectas pueden causar condiciones de funcionamiento inseguras.**



### *Póngase en contacto con nosotros*

[www.GEAppliances.com](http://www.GEAppliances.com)

Si no está satisfecho con el servicio que recibe de GE, póngase en contacto con nosotros en nuestra página Web indicando todos los detalles así como su número de teléfono o escribanos a:

General Manager, Customer Relations  
GE Appliances, Appliance Park  
Louisville, KY 40225



### *Registre su electrodoméstico*

[www.GEAppliances.com](http://www.GEAppliances.com)

¡Registre su nuevo electrodoméstico en línea—cuando usted prefiera! El registrar su producto a tiempo le proporcionará, si surgiera la necesidad, una mejor comunicación y un servicio más rápido bajo los términos de su garantía. También puede enviar su tarjeta de registro pre-impresa que se incluye en el material de embalaje.