

# Installation Instructions

## Dishwasher Door Panel Replacement Kits for Long Door Front Mounted Control Models



### BEFORE YOU BEGIN

Read these instructions completely and carefully.

**IMPORTANT** – Save these instructions for local inspector's use.

**IMPORTANT** – Observe all governing codes and ordinances.

**Note to Installer** – Be sure to leave these instructions with the Consumer.

**Note to Consumer** – Keep these instructions with your Owner's Manual for future reference.

### TOOLS AND MATERIALS REQUIRED:

- Gloves to protect against sharp edges
- Phillips screwdriver
- 1/4" hex socket or 1/4" wrench

### KIT CONTAINS:

- Door panel
- Instruction instructions



### WARNING:

To prevent electric shock, disconnect electrical power supply to dishwasher before changing panels. Do not operate dishwasher while changing panel.



### CAUTION:

On new installations, do not remove wood base until you are ready to install the dishwasher. The dishwasher will tip over when the door is opened.



## STEP 1—REMOVE DOOR PANEL

- Open dishwasher door.
- Remove the 6 Phillips head screws along the sides of the door (see Figure 1) holding the inner door to the outer panel. Retain screws, close door.
- Do not remove the 6 screws at the top of the door.

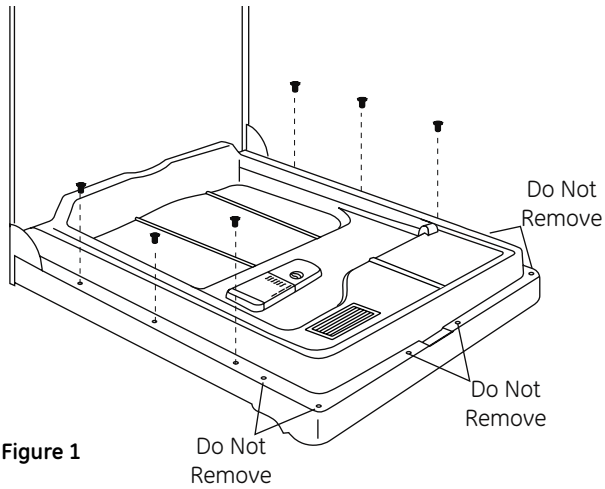


Figure 1

## STEP 2—INSTALL THE ASSEMBLED PANEL

- Slide the panel assembly into the escutcheon slot (Figure 3).
- Reinstall the two original screws at the bottom of the door to hold the assembly to the hinge arms (Figure 4).
- Open the dishwasher door and reinstall the original 6 Phillips head screws to hold the inner door to the trim kit assembly (Figure 5).

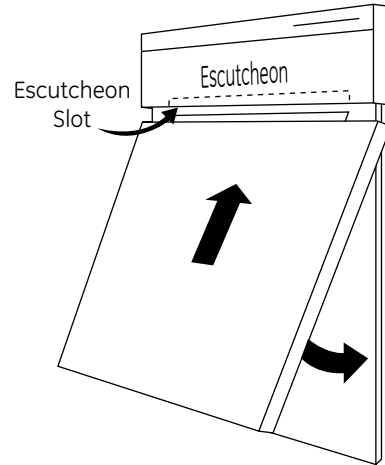


Figure 3

- Remove the two screws on the bottom of the door panel (Figure 2). Allow door panel to slide down approximately 1/2". Retain screws.
- Remove door panel.

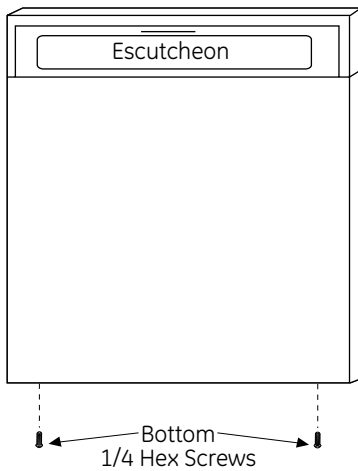


Figure 2

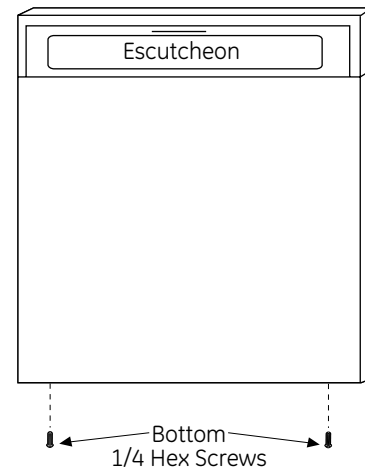


Figure 4

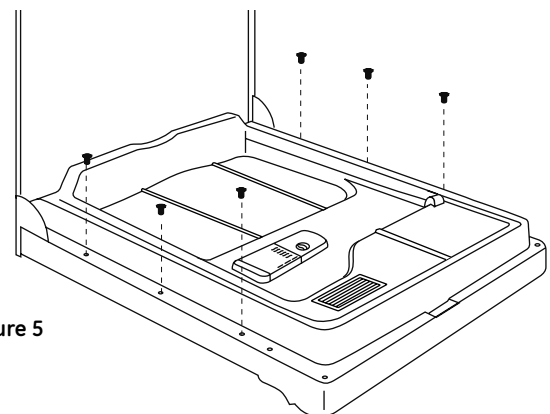


Figure 5