

PSDW3YGX

GE Profile™ Counter-Depth 23.2 Cu. Ft. Stainless-Wrapped Side-by-Side Refrigerator

Dimensions and Installation Information (in inches)

Overall Dimensions	Height to top of hinge (in.) A	70-1/2*
	Height to top of case (in.) B	68-3/4
	Case depth without door (in.) C†	23-7/8
	Case depth less door handle (in.) D†	27-3/4
	Case depth with door handle (in.) E†	30-1/4
	Depth with fresh food door open 90° (in.) F†	46
	Width (in.) G	36-1/4
	Width with door open 90° inc. door handle (in.) H	41-3/8
Air Clearances	Each side (in.)	1/8
	Top (in.)	1
	Back (in.)	1/2

*When cap is removed: 69 1/4"

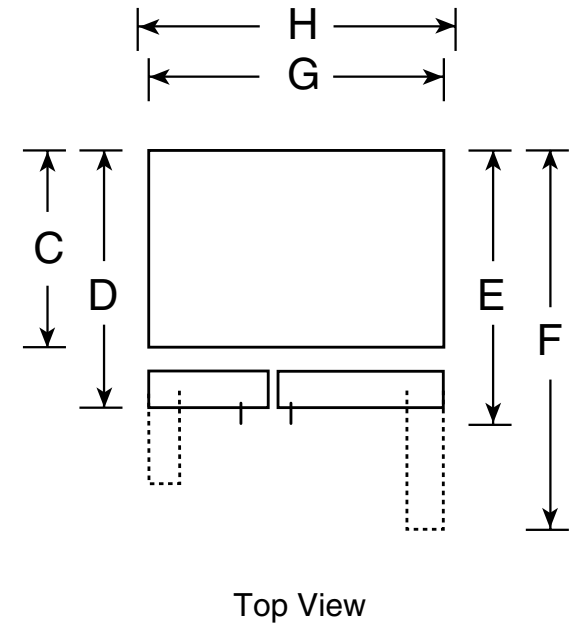
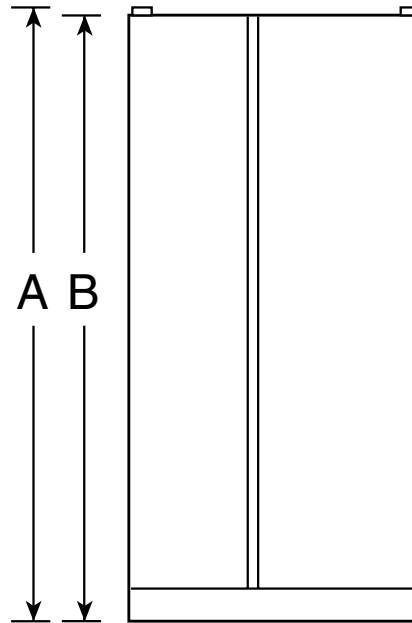
†Water hook-up fits in back air clearance when calculating installation depth.

If installed against a wall, allow clearance of 13-15/16" on freezer side to remove bin.

Clearance required to remove fresh food full-size pan without disassembling is 18-5/8".

Allow additional space for any necessary leveling adjustments.

For answers to your Monogram®, GE Profile™ or GE® appliance questions, visit our website at ge.com or call GE Answer Center® service, 800.626.2000.



Top View



As an ENERGY STAR® partner, GE has determined that this product meets the ENERGY STAR guidelines for energy efficiency.

PSDW3YGX

GE Profile™ Counter-Depth 23.2 Cu. Ft. Stainless-Wrapped Side-by-Side Refrigerator

To Remove Top Caps and Doors on PSDW3YGX

Step 1: the refrigerator. Remove two screws, one on each side at the rear of the top cap. Lift off and remove top cap.

Step 2: Open both doors. Remove one screw on each side of the toekick. Pull forward to remove toekick.

Step 3: On the freezer door, disconnect water line coupler by pushing against the collar on the left side. Disconnect wire harness.

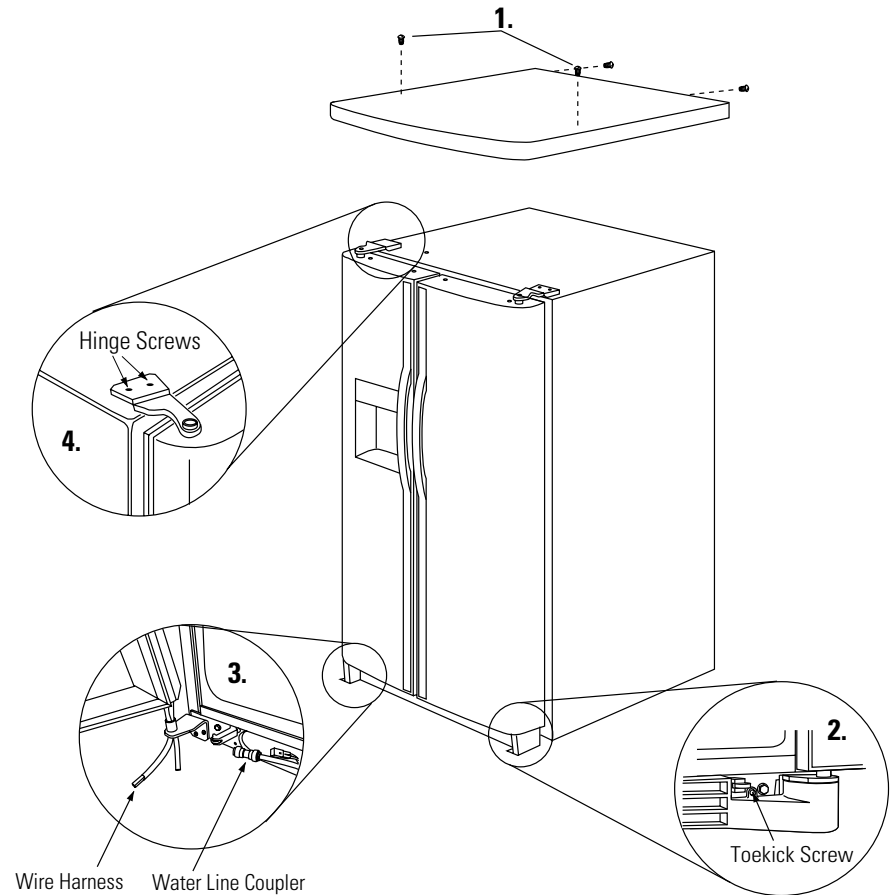
Step 4: Use a Torx T-20 screwdriver to remove 2 screws holding the top hinge. Carefully remove hinge while supporting door. Lift door up and off bottom hinge. Remove fresh food door in the same manner. Note: Do not remove bottom hinges! Door alignment will be difficult if bottom hinges are removed.

Step 5: Place refrigerator onto a hand truck, upright and against one side. Move refrigerator to the installation location.

Step 6: Carefully lower doors onto bottom hinges. Be sure to route the tubing and electrical connector through the bottom hinge. Reinstall top hinges.

Step 7: Place cap over the top of the refrigerator. Reinstall the original screws in the top and back of the cap.

Step 8: Reconnect the wiring harness and waterline.



For answers to your Monogram,® GE Profile™ or GE® appliance questions, visit our website at ge.com or call GE Answer Center® service, 800.626.2000.



imagination at work



Listed by
Underwriters
Laboratories



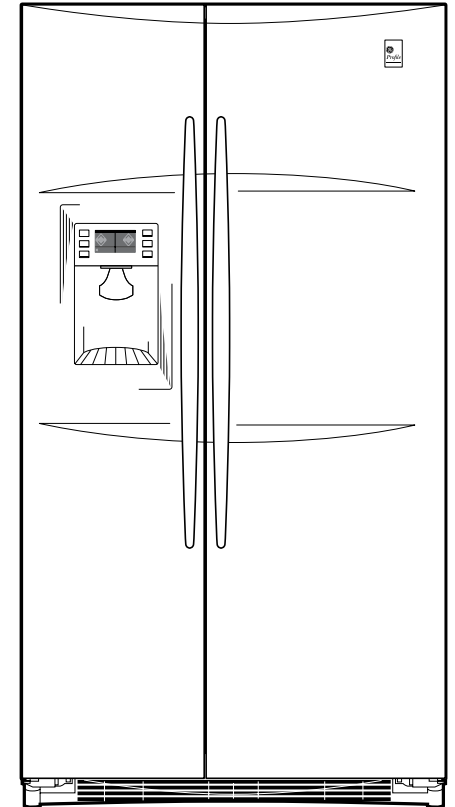
As an ENERGY STAR® partner, GE has determined that this product meets the ENERGY STAR guidelines for energy efficiency.

PSDW3YGX

GE Profile™ Counter-Depth 23.2 Cu. Ft. Stainless-Wrapped Side-by-Side Refrigerator

Features and Benefits

- Counter-Depth Design - Offers a built-in look without the built-in expense
- Stainless Steel Exterior - Convey a look of utmost polish and sophistication
- ClimateKeeper2™ System - Keeps food garden fresh longer, while protecting ice from odor transfer, with its unique dual-evaporator system
- LED Lighting - Casts a clean, beautiful light throughout the fresh food area of the refrigerator
- Color LCD Controls with Touch Screen - Makes it easy to control all the functions of the refrigerator with just a touch
- Integrated Dispenser with LED Lighting, PreciseFill & UltraFlow100 - Illuminates the dispenser and pours water in accurate increments or up to 100 ounces per minute
- QuickFreeze Setting - Provides faster, fresher freezing to maintain the flavor and quality of meats
- Electronic Beverage Center - Keeps beverages and treats icy cold and easily accessible
- CustomCool™ Technology - Chills in minutes, thaws in hours and keeps foods fresher, longer
- Slide 'n Store™ Freezer Basket - Offers easy access and flexible storage
- Quick Ice™ Option - Makes ice up to 50% faster than normal settings-ideal for entertaining
- TurboCool™ Setting - Cools the refrigerator quickly after frequent door openings
- Integrated Ice™ System - Frees up valuable freezer space; It tilts down, providing easy access to bulk ice
- Tilt-Out Freezer Door Bins - Move forward for convenient access
- Integrated Shelf Support System - Provides strong, yet flexible support
- Adjustable ClearLook™ Door Bins - Hold gallon-size containers with style and ease
- Model PSDW3YGXSS - Stainless steel



imagination at work



As an ENERGY STAR® partner, GE has determined that this product meets the ENERGY STAR guidelines for energy efficiency.