

# Haier

## Submittals

### Tempo Series

Rev. Feb. 2023



**1U09TE1VHA / AW09TE1VHA**

**1U09TE2VHA / AW09TE2VHA**

**1U09TE2HDA / AW09TC2HDA**

**1U12TE1VHA / AW12TE1VHA**

**1U12TE2VHA / AW12TE2VHA**

**1U12TE2HDA / AW12TC2HDA**

**1U18TE2VHA / AW18TE2VHA**

**1U18TE2HDA / AW18TC2HDA**

**1U24TE2VHA / AW24TE2VHA**

**1U24TE2HDA / AW24TC2HDA**

**1U24TL2HFA / AW24TL2HFA**

**1U3036TL2HFA / AW30TL2HFA**

**1U3036TL2HFA / AW36TL2HFA**



**GE APPLIANCES**  
a Haier company

For more information visit us:  
[www.Haierductless.com](http://www.Haierductless.com)  
[www.Haierductlesshelp.com](http://www.Haierductlesshelp.com)

## Revision History

**Rev. April 2017** - Edition release

**Rev. April 2018** - Minimum pipe length, motor rating added.

**Rev. May 2019** - Accessories & electrical requirement update.

**Rev. June 2020** - Accessories update.

**Rev. July 2020** - Added ODU floor mounting dimensions diagrams.

**Rev. Aug. 2020** - Controller updates.

**Rev. Feb. 2021** - Added 208/230V 9K and 12K units, accessory tables.

**Rev. May 2021** - Capacity table revisions.

**Rev. Nov. 2021** - SEER/EER, HSPF corrections.

**Rev. Dec. 2021** - SEER/EER, HSPF corrections.

**Rev. Feb. 2022** - 18K, 24K operating range corrections.

**Rev. June 2022** - Low Ambient models added.

**Rev. Nov. 2022** - Added models: 1U09TE2HDA / AW09TC2HDA, 1U12TE2HDA / AW12TC2HDA, 1U18TE2HDA / AW18TC2HDA, 1U24TE2HDA / AW24TC2HDA.

**Rev. Feb. 2023** - M1 data added.

# Haier Tempo Submittal

9,000 BTU Wall Mount Single-Zone Heat Pump System

**1U09TE1VHA / AW09TE1VHA**

Job Name: \_\_\_\_\_

Purchaser: \_\_\_\_\_

Submitted To: \_\_\_\_\_

Construction: \_\_\_\_\_

Reference: \_\_\_\_\_

Approval: \_\_\_\_\_

Date: \_\_\_\_\_

Submitted By: \_\_\_\_\_

Unit: \_\_\_\_\_

Drawing #: \_\_\_\_\_



### Electrical Requirement

Power Supply	115V, 1 Phase, 60 HZ
Operating Voltage Range	104-127 VAC
Recommended Fuse/Breaker Size	20A
MCA	18A

Connecting cable to indoor units must be 14/4 AWG unshielded stranded copper. Cable must be ran continuous, without splicing.

### Operating Range

Cooling with Wind Baffle	14~115°F (-10~46°C)
Cooling Without Wind Baffle	23~115°F (-5~46°C)
Heating	-4~75°F (-20~24°C)

### Cooling Performance

Rated Cooling Capacity	9,000 BTU
Cooling Capacity Range	3,800~12,000 BTU
Rated Power input	810 W
SEER/SEER2	16.0/17.5
EER/EER2	11.0/10.5

### Heating Performance

Rated Heating Capacity	10,000 BTU
Heating Capacity Range	4,100~12,000 BTU
HSPF/HSPF2 (IV)	9.0/9.5

### Pipe Length

Minimum Pipe Length	10 ft	
Maximum Pipe Length	66 ft	
Maximum Pipe Height Difference	33 ft	
Flare Connections	Liquid	1/4"
	Vapor	3/8"

### Accessories

Controller	Model/Part Number	Note
Ships with	Standard Remote Control (WJ01X24721)	
Compatible Controllers	Simplified Wired Controller (QACT17A)	Requires WK-B kit
	Programmable Wired Controller (YR-E16B)	Requires WK-B kit
WiFi Module	QAWF01A	
Wind Baffle	QAWB41A	



For more information visit us:  
[www.Haierductless.com](http://www.Haierductless.com)  
[www.Haierductlesshelp.com](http://www.Haierductlesshelp.com)



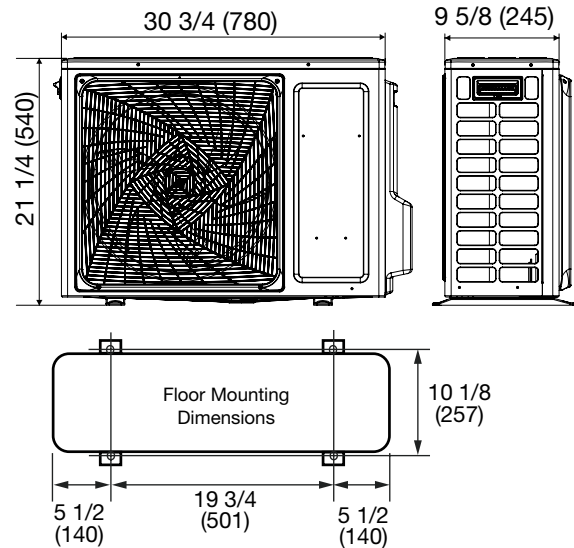
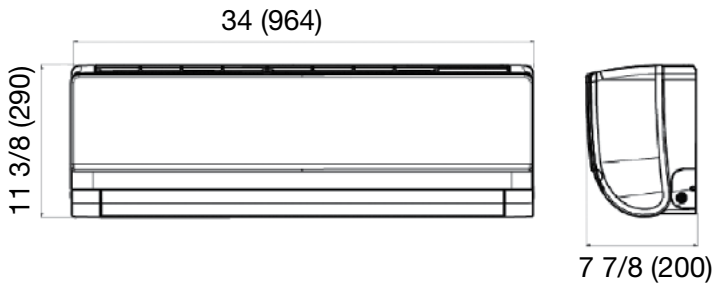
# Haier Tempo Submittal

9,000 BTU Wall Mount Single-Zone Heat Pump System

## 1U09TE1VHA / AW09TE1VHA

Indoor Unit	
Uncrated Dimension (HxWxD)	11 3/8 x 34 x 7 7/8 in (290 x 864 x 200 mm)
Crated (HxWxD)	14 x 37 1/2 x 11 in (355 x 954 x 279 mm)
Airflow CFM (Turbo/High/Med/Low/Quiet)	305/295/280/265/240
Indoor Sound Level dB (Turbo/High/Med/Low/Quiet)	39/37/33/28/23
Motor Rating (HP)	0.064
Heat Exchanger Fin Type	Blue Fin
Weight (Ship/Net)	24.7/19.9 lbs

Outdoor Unit	
Compressor	DC inverter Driven Rotary
Uncrated Dimension (HxWxD)	21 1/4 x 30 3/4 x 9 5/8 in (540 x 780 x 245 mm)
Crated (HxWxD)	24 3/8 x 36 1/4 x 13 7/8 in (620 x 920 x 351 mm)
Outdoor Sound Rating dB	47
Heat Exchanger Fin Type	Blue Fin
Weight (Ship/Net)	66.1/58.4 lbs
Factory Refrigerant Charge	R-410A (26.5 oz)



### Heating Capacity Data

Outdoor Air Temp DB	Indoor Temperature								
	59°F (15°C)			68°F (20°C)			77°F (25°C)		
	Maximum Capacity (Btu/h)	Power Usage (w)	COP	Maximum Capacity (Btu/h)	Power Usage (w)	COP	Maximum Capacity (Btu/h)	Power Usage (w)	COP
-4°F (-20°C)	5,420	1,040	1.53	5,210	1,110	1.38	4,900	1,170	1.23
5°F (-15°C)	7,050	1,000	2.07	6,710	1,060	1.86	6,370	1,120	1.67
17°F (-8°C)	8,050	700	3.37	7,590	740	3.01	7,290	780	2.74
47°F (8°C)	11,340	870	3.82	10,500	950	3.24	9,660	1,030	2.75

### Cooling Capacity Data

Outdoor Air Temp DB	Indoor Temperature								
	70°F (21°C)			75°F (24°C)			80°F (27°C)		
	Maximum Capacity (Btu/h)	Power Usage (w)	EER	Maximum Capacity (Btu/h)	Power Usage (w)	EER	Maximum Capacity (Btu/h)	Power Usage (w)	EER
14°F (-10°C)*	7,490	250	29.96	7,740	250	30.96	8,320	260	32.00
23°F (-5°C)	7,490	260	28.81	7,740	260	29.77	8,320	270	30.81
41°F (5°C)	7,490	270	27.74	7,740	270	28.67	8,320	280	29.71
45°F (7.2°C)	7,490	270	27.74	7,740	270	28.67	8,320	280	29.71
55°F (12.8°C)	7,490	280	26.75	7,740	280	27.64	8,320	290	28.69
65°F (18°C)	8,590	670	12.82	8,870	680	13.04	9,540	700	13.63
75°F (24°C)	9,250	680	13.60	9,560	700	13.66	10,280	720	14.28
85°F (29°C)	10,160	710	14.31	10,500	730	14.38	11,290	750	15.05
95°F (35°C)	8,690	760	11.43	8,970	780	11.50	9,650	800	12.06
105°F (41°C)	8,340	770	10.83	8,620	790	10.91	9,270	810	11.44
115°F (46°C)	5,970	390	15.31	6,170	400	15.43	6,630	420	15.79

Heating and cooling capacities and power usage are measured under the assumption of indoor humidity of 46%.

\*Cooling capacities under low ambient temperatures below 23°F (-5°C) are tested when using wind baffle on outdoor unit.

# Haier Tempo Submittal

9,000 BTU Wall Mount Single-Zone Heat Pump System

**1U09TE2VHA / AW09TE2VHA**

Job Name: \_\_\_\_\_

Purchaser: \_\_\_\_\_

Submitted To: \_\_\_\_\_

Construction: \_\_\_\_\_

Reference: \_\_\_\_\_

Approval: \_\_\_\_\_

Date: \_\_\_\_\_

Submitted By: \_\_\_\_\_

Unit: \_\_\_\_\_

Drawing #: \_\_\_\_\_



### Electrical Requirement

Power Supply	208/230V, 1 Phase, 60 HZ
Operating Voltage Range	187~253 VAC
Recommended Fuse/Breaker Size	15A
MCA	12A

Connecting cable to indoor units must be 14/4 AWG unshielded stranded copper. Cable must be ran continuous, without splicing.

### Operating Range

Cooling with Wind Baffle	14~115°F (-10~46°C)
Cooling Without Wind Baffle	23~115°F (-5~46°C)
Heating	-4~75°F (-20~24°C)

### Cooling Performance

Rated Cooling Capacity	9,000 BTU
Cooling Capacity Range	3,800~12,000 BTU
Rated Power input	800 W
SEER	18.0
EER	11.0

### Heating Performance

Rated Heating Capacity	10,000 BTU
Heating Capacity Range	4,100~11,000 BTU
HSPF	10.0

### Pipe Length

Minimum Pipe Length	10 ft	
Maximum Pipe Length	66 ft	
Maximum Pipe Height Difference	33 ft	
Flare Connections	Liquid	1/4"
	Vapor	3/8"

### Accessories

Controller	Model/Part Number	Note
Ships with	Standard Remote Control (WJ01X24721)	
Compatible Controllers	Simplified Wired Controller (QACT17A)	Requires WK-B kit
	Programmable Wired Controller (YR-E16B)	Requires WK-B kit
WiFi Module	QAWF01A	
Wind Baffle	QAWB41A	



For more information visit us:  
[www.Haierductless.com](http://www.Haierductless.com)  
[www.Haierductlesshelp.com](http://www.Haierductlesshelp.com)



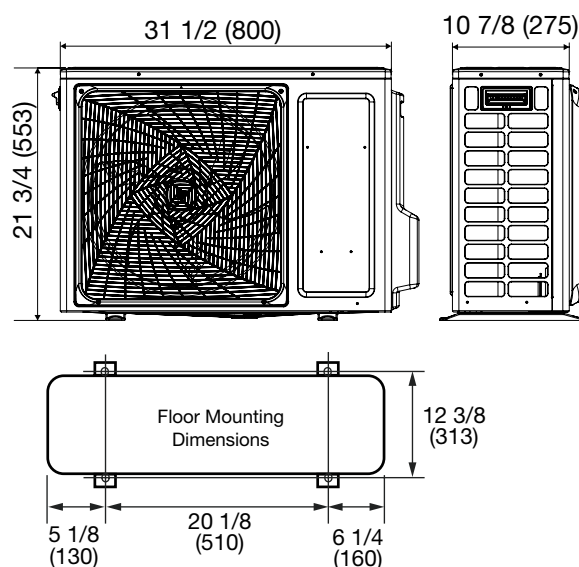
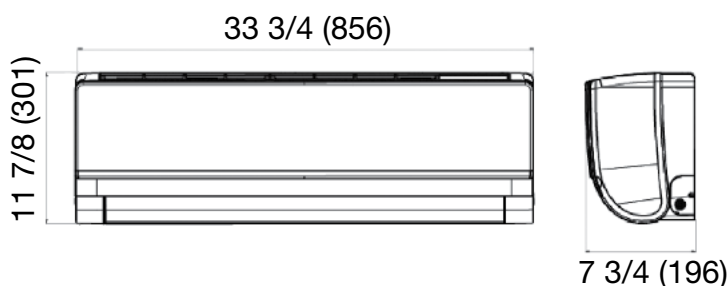
# Haier Tempo Submittal

9,000 BTU Wall Mount Single-Zone Heat Pump System

## 1U09TE2VHA / AW09TE2VHA

Indoor Unit	
Uncrated Dimension (HxWxD)	11 7/8 x 33 3/4 x 7 3/4 in (301 x 856 x 196 mm)
Crated (HxWxD)	15 3/8 x 37 1/2 x 11 1/8 in (389 x 952 x 283 mm)
Airflow CFM (Turbo/High/Med/Low/Quiet)	421/332/292/242/200
Indoor Sound Level dB (Turbo/High/Med/Low/Quiet)	42/36/33/29/26
Motor Rating (HP)	0.064
Heat Exchanger Fin Type	Blue Fin
Weight (Ship/Net)	26.9/21.2 lbs

Outdoor Unit	
Compressor	DC inverter Driven Rotary
Uncrated Dimension (HxWxD)	21 3/4 x 31 1/2 x 10 7/8 in (553 x 800 x 275 mm)
Crated (HxWxD)	25 3/8 x 37 1/2 x 16 1/8 in (645 x 954 x 409 mm)
Outdoor Sound Rating dB	48
Heat Exchanger Fin Type	Blue Fin
Weight (Ship/Net)	76.1/63.5 lbs
Factory Refrigerant Charge	R-410A (32.8 oz)



### Heating Capacity Data

Outdoor Air Temp DB	Indoor Temperature								
	59°F (15°C)			68°F (20°C)			77°F (25°C)		
	Maximum Capacity (Btu/h)	Power Usage (w)	COP	Maximum Capacity (Btu/h)	Power Usage (w)	COP	Maximum Capacity (Btu/h)	Power Usage (w)	COP
-4°F (-20°C)	5,500	980	1.64	5,000	1,000	1.46	4,500	1,020	1.29
5°F (-15°C)	6,500	960	1.98	6,000	980	1.79	5,500	1,000	1.61
17°F (-8°C)	8,000	890	2.63	7,500	910	2.41	7,000	930	2.21
47°F (8°C)	11,500	830	4.06	11,000	850	3.79	10,500	870	3.54

### Cooling Capacity Data

Outdoor Air Temp DB	Indoor Temperature								
	70°F (21°C)			75°F (24°C)			80°F (27°C)		
	Maximum Capacity (Btu/h)	Power Usage (w)	EER	Maximum Capacity (Btu/h)	Power Usage (w)	EER	Maximum Capacity (Btu/h)	Power Usage (w)	EER
14°F (-10°C)*	7,590	320	23.72	7,850	330	23.79	8,320	340	24.47
32°F (0°C)	7,590	380	19.97	7,790	390	19.97	8,320	400	20.80
50°F (10°C)	7,690	450	17.09	7,890	460	17.15	8,320	470	17.70
65°F (18°C)	8,690	670	12.97	8,970	690	13.00	9,540	720	13.25
75°F (24°C)	9,350	690	13.55	9,560	720	13.28	10,280	740	13.89
85°F (29°C)	11,000	900	12.22	11,500	920	12.50	12,000	940	12.77
95°F (35°C)	10,000	1,000	10.00	10,500	1,020	10.29	11,000	1,040	10.58
105°F (41°C)	8,340	770	10.83	8,620	790	10.91	9,270	810	11.44
115°F (46°C)	5,970	390	15.31	6,170	400	15.43	6,630	420	15.79

Heating and cooling capacities and power usage are measured under the assumption of indoor humidity of 46%.

\*Cooling capacities under low ambient temperatures below 23°F (-5°C) are tested when using wind baffle on outdoor unit.

# Haier Tempo Submittal

9,000 BTU Wall Mount Single-Zone Heat Pump System

**1U09TE2HDA / AW09TC2HDA**

Job Name: \_\_\_\_\_

Purchaser: \_\_\_\_\_

Submitted To: \_\_\_\_\_

Construction: \_\_\_\_\_

Reference: \_\_\_\_\_

Approval: \_\_\_\_\_

Date: \_\_\_\_\_

Submitted By: \_\_\_\_\_

Unit: \_\_\_\_\_

Drawing #: \_\_\_\_\_



### Electrical Requirement

Power Supply	208/230V, 1 Phase, 60 HZ
Operating Voltage Range	187~253 VAC
Recommended Fuse/Breaker Size	15A
MCA	12A

Connecting cable to indoor units must be 14/4 AWG unshielded stranded copper. Cable must be ran continuous, without splicing.

### Operating Range

Cooling with Wind Baffle	-4~115°F (-20~46°C)
Cooling Without Wind Baffle	23~115°F (-5~46°C)
Heating	-4~75°F (-20~24°C)

### Cooling Performance

Rated Cooling Capacity	9,000 BTU
Cooling Capacity Range	3,800~10,000 BTU
Rated Power input	800 W
SEER/SEER2	18.0/19.0
EER/EER2	11.0/11.0

### Heating Performance

Rated Heating Capacity	10,000 BTU
Heating Capacity Range	4,100~11,000 BTU
HSPF/HSPF2 (IV)/HSPF2(V)	10.0/9.0/7.1

### Pipe Length

Minimum Pipe Length	10 ft	
Maximum Pipe Length	66 ft	
Maximum Pipe Height Difference	33 ft	
Flare Connections	Liquid	1/4"
	Vapor	3/8"

### Accessories

Controller	Model/Part Number	Note
Ships with	Standard Remote Control (WJ01X24721)	
Compatible Controllers	Simplified Wired Controller (QACT17A)	
	Programmable Wired Controller (YR-E16B)	Requires WK-B kit
WiFi Module	N/A (Embedded)	
Wind Baffle	QAWB41A	



For more information visit us:  
[www.Haierductless.com](http://www.Haierductless.com)  
[www.Haierductlesshelp.com](http://www.Haierductlesshelp.com)





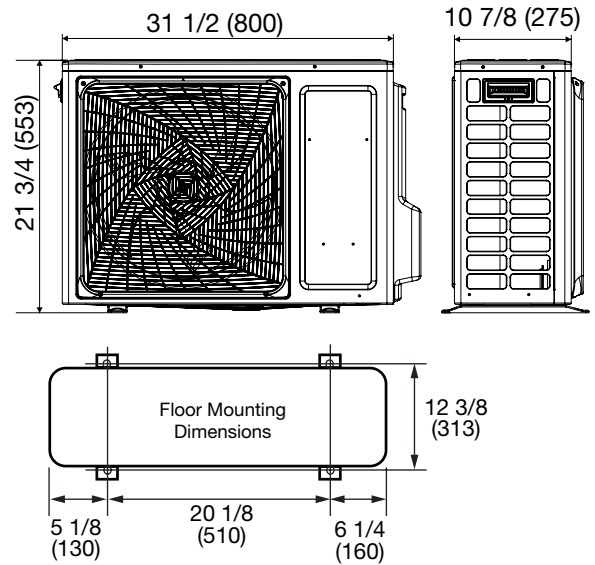
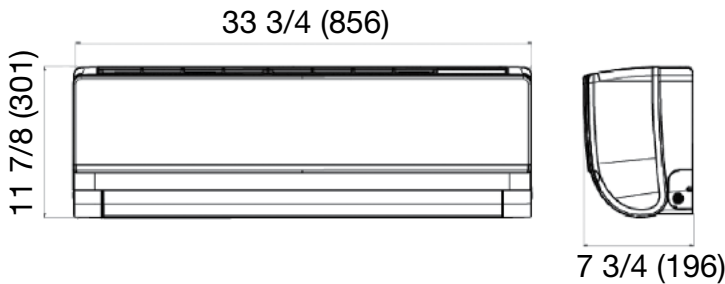
# Haier Tempo Submittal

9,000 BTU Wall Mount Single-Zone Heat Pump System

## 1U09TE2HDA / AW09TC2HDA

Indoor Unit	
Uncrated Dimension (HxWxD)	11 7/8 x 33 3/4 x 7 3/4 in (301 x 856 x 196 mm)
Crated (HxWxD)	15 3/8 x 37 1/2 x 11 1/8 in (389 x 952 x 283 mm)
Airflow CFM (Turbo/High/Med/Low/Quiet)	421/332/292/242/200
Indoor Sound Level dB (Turbo/High/Med/Low/Quiet)	42/36/33/29/26
Motor Rating (HP)	0.064
Heat Exchanger Fin Type	Blue Fin
Weight (Ship/Net)	26.9/21.2 lbs

Outdoor Unit	
Compressor	DC inverter Driven Rotary
Uncrated Dimension (HxWxD)	21 3/4 x 31 1/2 x 10 7/8 in (553 x 800 x 275 mm)
Crated (HxWxD)	25 3/8 x 37 1/2 x 16 1/8 in (645 x 954 x 409 mm)
Outdoor Sound Rating dB	48
Heat Exchanger Fin Type	Blue Fin
Weight (Ship/Net)	76.1/63.5 lbs
Factory Refrigerant Charge	R-410A (32.8 oz)



### Heating Capacity Data

TC: Total Capacity, PI: Power Input

Outdoor Air Temp DB	Indoor Temperature (°F, DB)																				
	60			65			70			75			77			80			86		
	TC (Btu/h)	PI (W)	COP2	TC (Btu/h)	PI (W)	COP2	TC (Btu/h)	PI (W)	COP2	TC (Btu/h)	PI (W)	COP2	TC (Btu/h)	PI (W)	COP2	TC (Btu/h)	PI (W)	COP2	TC (Btu/h)	PI (W)	COP2
-4°F (-20°C)	7,152	717	2.92	6,979	741	2.76	6,810	766	2.61	6,637	779	2.50	6,469	792	2.39	6,305	805	2.30	6,145	818	2.20
5°F (-15°C)	7,946	755	3.08	7,753	780	2.91	7,565	806	2.75	7,373	819	2.64	7,186	833	2.53	7,004	847	2.42	6,826	861	2.32
17°F (-8°C)	8,938	700	3.74	8,721	724	3.53	8,510	748	3.33	8,294	760	3.20	8,084	773	3.07	7,879	786	2.94	7,679	799	2.82
23°F (-5°C)	9,459	697	3.98	9,230	720	3.76	9,006	744	3.55	8,778	756	3.40	8,555	769	3.26	8,338	782	3.12	8,127	795	3.00
32°F (0°C)	10,011	693	4.23	9,768	716	4.00	9,531	740	3.77	9,289	752	3.62	9,053	764	3.47	8,823	777	3.33	8,599	790	3.19
47°F (8°C)	10,594	689	4.51	10,337	712	4.26	10,086	736	4.02	9,830	748	3.85	9,581	760	3.69	9,338	773	3.54	9,101	786	3.39
60°F (16°C)	11,211	685	4.80	10,939	708	4.53	10,674	732	4.27	10,403	744	4.10	10,139	756	3.93	9,882	769	3.77	9,631	782	3.61

### Cooling Capacity Data

Outdoor Air Temp DB	Indoor Temperature (°F, DB/WB)																							
	64/53			68/57			72/61			77/64			80/67			82/70			86/72			90/75		
	TC (Btu/h)	PI (W)	EER2	TC (Btu/h)	PI (W)	EER2	TC (Btu/h)	PI (W)	EER2	TC (Btu/h)	PI (W)	EER2	TC (Btu/h)	PI (W)	EER2	TC (Btu/h)	PI (W)	EER2	TC (Btu/h)	PI (W)	EER2			
-4°F (-20°C)*	6,200	780	7.95	6,481	792	8.18	6,761	752	8.99	7,060	684	10.32	7,364	631	11.67	7,683	612	12.55	8,001	580	13.79	8,363	563	14.85
14°F (-10°C)*	9,162	764	11.99	9,559	735	13.01	9,973	707	14.11	10,405	680	15.30	10,856	654	16.60	11,326	630	17.98	11,816	607	19.47	12,327	585	21.07
32°F (0°C)	9,030	771	11.71	9,422	742	12.70	9,830	714	13.77	10,256	687	14.93	10,701	661	16.19	11,164	637	17.53	11,647	614	18.97	12,151	592	20.53
50°F (10°C)	8,900	778	11.44	9,286	749	12.40	9,689	721	13.44	10,109	694	14.57	10,547	668	15.79	11,003	644	17.09	11,479	621	18.48	11,976	599	19.99
65°F (18°C)	8,810	786	11.21	9,192	756	12.16	9,591	728	13.17	10,007	701	14.28	10,441	675	15.47	10,893	651	16.73	11,364	627	18.12	11,856	604	19.63
75°F (24°C)	8,722	796	10.96	9,100	766	11.88	9,495	737	12.88	9,907	709	13.97	10,336	682	15.16	10,783	657	16.41	11,249	633	17.77	11,736	610	19.24
85°F (29°C)	8,634	803	10.75	9,008	773	11.65	9,399	744	12.63	9,807	716	13.70	10,232	689	14.85	10,675	664	16.08	11,137	640	17.40	11,619	617	18.83
95°F (35°C)	7,769	918	8.46	8,106	884	9.17	8,458	851	9.94	8,825	819	10.78	9,208	788	11.69	9,606	759	12.66	10,021	731	13.71	10,454	704	14.85
105°F (41°C)	7,536	928	8.12	7,863	893	8.81	8,204	859	9.55	8,560	827	10.35	8,931	796	11.22	9,317	767	12.15	9,720	739	13.15	10,140	712	14.24
115°F (46°C)	7,385	937	7.88	7,705	902	8.54	8,039	868	9.26	8,388	835	10.05	8,752	804	10.89	9,130	775	11.78	9,525	747	12.75	9,937	720	13.80

Heating and cooling capacities and power usage are measured under the assumption of indoor humidity of 46%.

\*Cooling capacities under low ambient temperatures below 23°F (-5°C) are tested when using wind baffle on outdoor unit.

Rev. Feb. 2023



# Haier Tempo Submittal

12,000 BTU Wall Mount Single-Zone Heat Pump System

**1U12TE1VHA / AW12TE1VHA**

Job Name: \_\_\_\_\_

Purchaser: \_\_\_\_\_

Submitted To: \_\_\_\_\_

Construction: \_\_\_\_\_

Reference: \_\_\_\_\_

Approval: \_\_\_\_\_

Date: \_\_\_\_\_

Submitted By: \_\_\_\_\_

Unit: \_\_\_\_\_

Drawing #: \_\_\_\_\_



Accessories		
Controller	Model/Part Number	Note
Ships with	Standard Remote Control (WJ01X24721)	
Compatible Controllers	Simplified Wired Controller (QACT17A)	Requires WK-B kit
	Programmable Wired Controller (YR-E16B)	Requires WK-B kit
WiFi Module	QAWF01A	
Wind Baffle	QAWB41A	

Electrical Requirement	
Power Supply	115V, 1 Phase, 60 HZ
Operating Voltage Range	104-127 VAC
Recommended Fuse/Breaker Size	20A
MCA	18A

Connecting cable to indoor units must be 14/4 AWG unshielded stranded copper. Cable must be ran continuous, without splicing.

Operating Range	
Cooling with Wind Baffle	14~115°F (-20~46°C)
Cooling Without Wind Baffle	23~115°F (-5~46°C)
Heating	-4~75°F (-20~24°C)

Cooling Performance	
Rated Cooling Capacity	12,000 BTU
Cooling Capacity Range	4,100~12,500 BTU
Rated Power input	1,200 W
SEER/SEER2	16.0/17.0
EER/EER2	11.0/9.5

Heating Performance	
Rated Heating Capacity	12,000 BTU
Heating Capacity Range	4,500~16,000 BTU
HSPF/HSPF2 (IV)	9.0/9.0

Pipe Length		
Minimum Pipe Length	10 ft	
Maximum Pipe Length	66 ft	
Maximum Pipe Height Difference	33 ft	
Flare Connections	Liquid	1/4"
	Vapor	3/8"



For more information visit us:  
[www.Haierductless.com](http://www.Haierductless.com)  
[www.Haierductlesshelp.com](http://www.Haierductlesshelp.com)



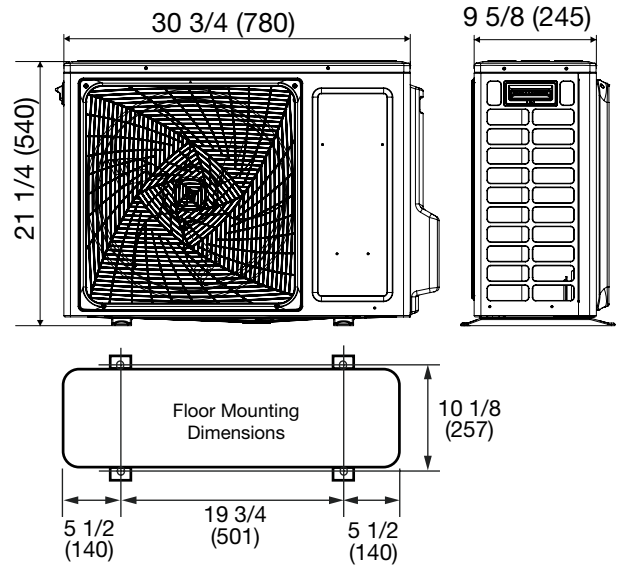
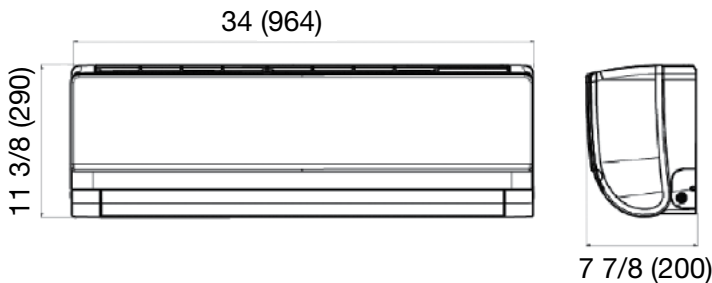
# Haier Tempo Submittal

12,000 BTU Wall Mount Single-Zone Heat Pump System

## 1U12TE1VHA / AW12TE1VHA

Indoor Unit	
Uncrated Dimension (HxWxD)	11 3/8 x 34 x 7 7/8 in (290 x 864 x 200 mm)
Crated (HxWxD)	14 x 37 1/2 x 11 in (355 x 954 x 279 mm)
Airflow CFM (Turbo/High/Med/Low/Quiet)	310/300/287/275/245
Indoor Sound Level dB (Turbo/High/Med/Low/Quiet)	39/37/33/28/23
Motor Rating (HP)	0.064
Heat Exchanger Fin Type	Blue Fin
Weight (Ship/Net)	24.7/19.9 lbs

Outdoor Unit	
Compressor	DC inverter Driven Rotary
Uncrated Dimension (HxWxD)	21 1/4 x 30 3/4 x 9 5/8 in (540 x 780 x 245 mm)
Crated (HxWxD)	24 3/8 x 36 1/4 x 13 7/8 in (620 x 920 x 351 mm)
Outdoor Sound Rating dB	50
Heat Exchanger Fin Type	Blue Fin
Weight (Ship/Net)	71.7/63.9 lbs
Factory Refrigerant Charge	R-410A (35.3 oz)



### Heating Capacity Data

Outdoor Air Temp DB	Indoor Temperature								
	59°F (15°C)			68°F (20°C)			77°F (25°C)		
	Maximum Capacity (Btu/h)	Power Usage (w)	COP	Maximum Capacity (Btu/h)	Power Usage (w)	COP	Maximum Capacity (Btu/h)	Power Usage (w)	COP
-4°F (-20°C)	6,550	1,320	1.45	6,300	1,400	1.32	5,920	1,470	1.18
5°F (-15°C)	9,380	1,270	2.16	8,930	1,350	1.94	8,480	1,430	1.74
17°F (-8°C)	10,810	890	3.56	10,200	950	3.15	9,790	1,010	2.84
47°F (8°C)	13,850	1,040	3.90	12,820	1,130	3.33	11,790	1,220	2.83

### Cooling Capacity Data

Outdoor Air Temp DB	Indoor Temperature								
	70°F (21°C)			75°F (24°C)			80°F (27°C)		
	Maximum Capacity (Btu/h)	Power Usage (w)	EER	Maximum Capacity (Btu/h)	Power Usage (w)	EER	Maximum Capacity (Btu/h)	Power Usage (w)	EER
14°F (-10°C)*	9,940	330	30.12	9,940	340	29.24	10,800	350	30.86
23°F (-5°C)	9,940	340	29.24	9,940	350	28.40	10,800	360	30.00
41°F (5°C)	9,940	350	28.40	9,940	360	27.61	10,800	370	29.19
45°F (7.2°C)	9,720	360	27.00	10,040	370	27.14	10,800	380	28.42
55°F (12.8°C)	9,720	370	26.27	10,040	380	26.42	10,800	390	27.69
65°F (18°C)	10,250	930	11.02	10,590	950	11.15	11,390	980	11.62
75°F (24°C)	11,740	990	11.86	12,130	1,020	11.89	13,040	1,050	12.42
85°F (29°C)	12,830	1,050	12.22	13,260	1,070	12.39	14,260	1,110	12.85
95°F (35°C)	11,720	1,110	10.56	12,110	1,130	10.72	13,020	1,160	11.22
105°F (41°C)	11,120	1,160	9.59	11,490	1,190	9.66	12,360	1,220	10.13
115°F (46°C)	7,960	620	12.84	8,230	630	13.06	8,850	650	13.62

Heating and cooling capacities and power usage are measured under the assumption of indoor humidity of 46%.

\*Cooling capacities under low ambient temperatures below 23°F (-5°C) are tested when using wind baffle on outdoor unit.

# Haier Tempo Submittal

12,000 BTU Wall Mount Single-Zone Heat Pump System

**1U12TE2VHA / AW12TE2VHA**

Job Name: \_\_\_\_\_

Purchaser: \_\_\_\_\_

Submitted To: \_\_\_\_\_

Construction: \_\_\_\_\_

Reference: \_\_\_\_\_

Approval: \_\_\_\_\_

Date: \_\_\_\_\_

Submitted By: \_\_\_\_\_

Unit: \_\_\_\_\_

Drawing #: \_\_\_\_\_



### Electrical Requirement

Power Supply	208/230V, 1 Phase, 60 HZ
Operating Voltage Range	187~253 VAC
Recommended Fuse/Breaker Size	15A
MCA	12A

Connecting cable to indoor units must be 14/4 AWG unshielded stranded copper. Cable must be ran continuous, without splicing.

### Operating Range

Cooling with Wind Baffle	-4~115°F (-20~46°C)
Cooling Without Wind Baffle	23~115°F (-5~46°C)
Heating	-4~75°F (-20~24°C)

### Cooling Performance

Rated Cooling Capacity	12,000 BTU
Cooling Capacity Range	4,100~13,000 BTU
Rated Power input	1,100 W
SEER	18.0
EER	11.0

### Heating Performance

Rated Heating Capacity	12,000 BTU
Heating Capacity Range	4,500~13,000 BTU
HSPF	10.0

### Pipe Length

Minimum Pipe Length	10 ft	
Maximum Pipe Length	66 ft	
Maximum Pipe Height Difference	33 ft	
Flare Connections	Liquid	1/4"
	Vapor	3/8"

### Accessories

Controller	Model/Part Number	Note
Ships with	Standard Remote Control (WJ01X24721)	
Compatible Controllers	Simplified Wired Controller (QACT17A)	Requires WK-B kit
	Programmable Wired Controller (YR-E16B)	Requires WK-B kit
WiFi Module	N/A (Embedded)	
Wind Baffle	QAWB41A	



For more information visit us:  
[www.Haierductless.com](http://www.Haierductless.com)  
[www.Haierductlesshelp.com](http://www.Haierductlesshelp.com)



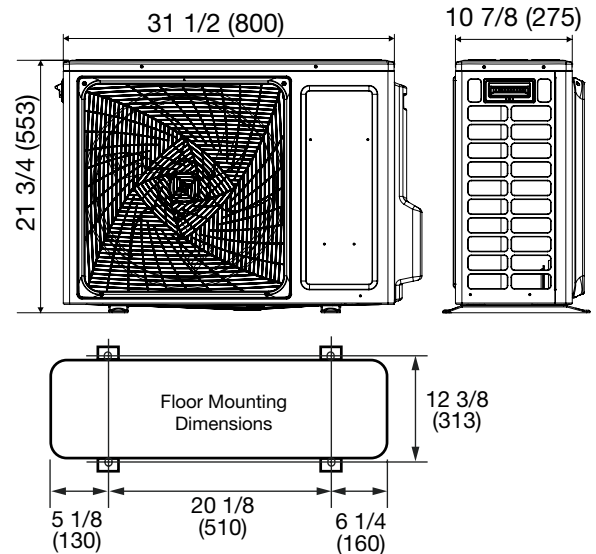
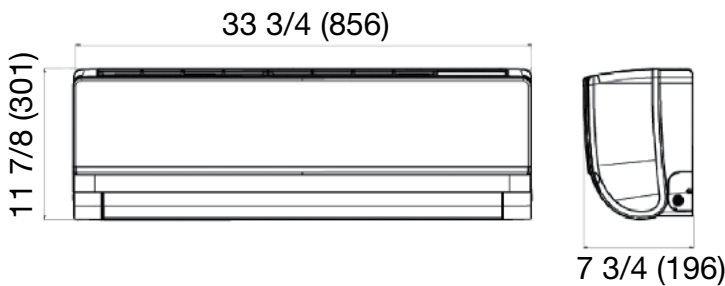
# Haier Tempo Submittal

12,000 BTU Wall Mount Single-Zone Heat Pump System

## 1U12TE2VHA / AW12TE2VHA

Indoor Unit	
Uncrated Dimension (HxWxD)	11 7/8 x 33 3/4 x 7 3/4 in (301 x 856 x 196 mm)
Crated (HxWxD)	15 3/8 x 37 1/2 x 11 1/8 in (389 x 952 x 283 mm)
Airflow CFM (Turbo/High/Med/Low/Quiet)	426/360/310/265/200
Indoor Sound Level dB (Turbo/High/Med/Low/Quiet)	42/38/34/31/26
Motor Rating (HP)	0.064
Heat Exchanger Fin Type	Blue Fin
Weight (Ship/Net)	26.9/21.2 lbs

Outdoor Unit	
Compressor	DC inverter Driven Rotary
Uncrated Dimension (HxWxD)	21 3/4 x 31 1/2 x 10 7/8 in (553 x 800 x 275 mm)
Crated (HxWxD)	25 3/8 x 37 1/2 x 16 1/8 in (645 x 954 x 409 mm)
Outdoor Sound Rating dB	50
Heat Exchanger Fin Type	Blue Fin
Weight (Ship/Net)	82.2/69.7 lbs
Factory Refrigerant Charge	R-410A (40.6 oz)



### Heating Capacity Data

Outdoor Air Temp DB	Indoor Set Temperature								
	60°F (16°C)			70°F (21°C)			77°F (25°C)		
	Maximum Capacity (Btu/h)	Power Usage (w)	COP	Maximum Capacity (Btu/h)	Power Usage (w)	COP	Maximum Capacity (Btu/h)	Power Usage (w)	COP
-4°F (-20°C)	8,000	1,300	1.80	7,500	1,320	1.66	7,000	1,340	1.53
5°F (-15°C)	9,000	1,280	2.06	8,500	1,300	1.92	8,000	1,320	1.78
17°F (-8°C)	10,500	1,080	2.85	10,000	1,100	2.66	9,500	1,120	2.49
47°F (8°C)	13,000	1,030	3.70	12,500	1,050	3.49	12,000	1,070	3.29

### Cooling Capacity Data

Outdoor Air Temp DB	Indoor Set Temperature								
	70°F (21°C)			75°F (24°C)			80°F (27°C)		
	Maximum Capacity (Btu/h)	Power Usage (w)	EER	Maximum Capacity (Btu/h)	Power Usage (w)	EER	Maximum Capacity (Btu/h)	Power Usage (w)	EER
14°F (-10°C)*	9,950	450	22.11	10,200	460	22.17	10,800	470	22.98
32°F (0°C)	9,950	550	18.09	10,900	570	19.12	11,450	580	19.74
50°F (10°C)	9,960	630	15.81	10,900	650	16.77	11,450	670	17.09
65°F (18°C)	10,350	980	10.56	11,090	990	11.20	11,490	1,120	10.26
75°F (24°C)	11,840	1,050	11.28	12,330	1,070	11.52	12,300	1,090	11.28
85°F (29°C)	12,500	1,080	11.57	12,800	1,150	11.13	13,000	1,160	11.21
95°F (35°C)	12,000	1,100	10.91	12,200	1,160	10.52	12,500	1,170	10.68
105°F (41°C)	11,220	1,000	11.22	11,590	1,020	11.36	12,360	1,050	11.77
115°F (46°C)	8,060	670	12.03	8,330	690	12.07	8,950	710	12.61

Heating and cooling capacities and power usage are measured under the assumption of indoor humidity of 46%.

\*Cooling capacities under low ambient temperatures below 23°F (-5°C) are tested when using wind baffle on outdoor unit.

# Haier Tempo Submittal

12,000 BTU Wall Mount Single-Zone Heat Pump System

**1U12TE2HDA / AW12TC2HDA**

Job Name: \_\_\_\_\_

Purchaser: \_\_\_\_\_

Submitted To: \_\_\_\_\_

Construction: \_\_\_\_\_

Reference: \_\_\_\_\_

Approval: \_\_\_\_\_

Date: \_\_\_\_\_

Submitted By: \_\_\_\_\_

Unit: \_\_\_\_\_

Drawing #: \_\_\_\_\_



### Electrical Requirement

Power Supply	208/230V, 1 Phase, 60 HZ
Operating Voltage Range	187~253 VAC
Recommended Fuse/Breaker Size	15A
MCA	12A

Connecting cable to indoor units must be 14/4 AWG unshielded stranded copper. Cable must be ran continuous, without splicing.

### Operating Range

Cooling with Wind Baffle	-4~115°F (-20~46°C)
Cooling Without Wind Baffle	23~115°F (-5~46°C)
Heating	-4~75°F (-20~24°C)

### Cooling Performance

Rated Cooling Capacity	12,000 BTU
Cooling Capacity Range	4,100~13,000 BTU
Rated Power input	1,100 W
SEER/SEER2	18.0/19.0
EER/EER2	11.0/11.0

### Heating Performance

Rated Heating Capacity	12,000 BTU
Heating Capacity Range	4,500~13,000 BTU
HSPF/HSPF2 (IV)/HSPF2(V)	10.0/9.2/7.2

### Pipe Length

Minimum Pipe Length	10 ft	
Maximum Pipe Length	66 ft	
Maximum Pipe Height Difference	33 ft	
Flare Connections	Liquid	1/4"
	Vapor	3/8"

### Accessories

Controller	Model/Part Number	Note
Ships with	Standard Remote Control (WJ01X24721)	
Compatible Controllers	Simplified Wired Controller (QACT17A)	
	Programmable Wired Controller (YR-E16B)	Requires WK-B kit
WiFi Module	N/A (Embedded)	
Wind Baffle	QAWB41A	



For more information visit us:  
[www.Haierductless.com](http://www.Haierductless.com)  
[www.Haierductlesshelp.com](http://www.Haierductlesshelp.com)



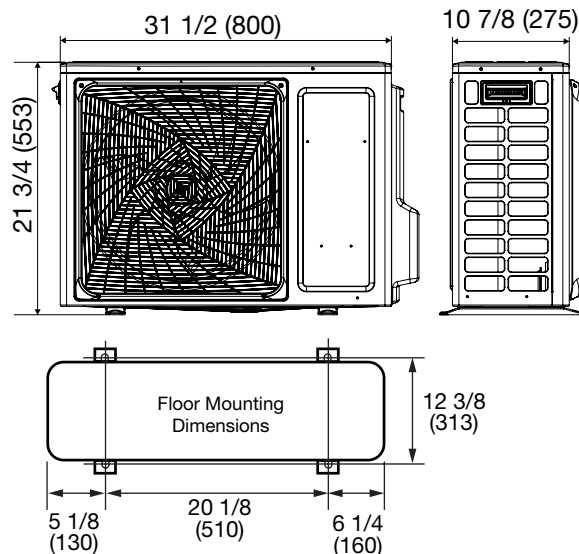
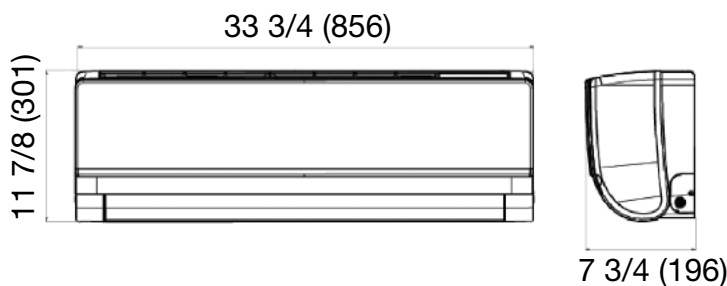
# Haier Tempo Submittal

12,000 BTU Wall Mount Single-Zone Heat Pump System

## 1U12TE2HDA / AW12TC2HDA

Indoor Unit	
Uncrated Dimension (HxWxD)	11 7/8 x 33 3/4 x 7 3/4 in (301 x 856 x 196 mm)
Crated (HxWxD)	15 3/8 x 37 1/2 x 11 1/8 in (389 x 952 x 283 mm)
Airflow CFM (Turbo/High/Med/Low/Quiet)	426/360/310/265/200
Indoor Sound Level dB (Turbo/High/Med/Low/Quiet)	42/38/34/31/26
Motor Rating (HP)	0.064
Heat Exchanger Fin Type	Blue Fin
Weight (Ship/Net)	26.9/21.2 lbs

Outdoor Unit	
Compressor	DC inverter Driven Rotary
Uncrated Dimension (HxWxD)	21 3/4 x 31 1/2 x 10 7/8 in (553 x 800 x 275 mm)
Crated (HxWxD)	25 3/8 x 37 1/2 x 16 1/8 in (645 x 954 x 409 mm)
Outdoor Sound Rating dB	50
Heat Exchanger Fin Type	Blue Fin
Weight (Ship/Net)	82.2/69.7 lbs
Factory Refrigerant Charge	R-410A (40.6 oz)



### Heating Capacity Data

TC: Total Capacity, PI: Power Input

Outdoor Air Temp DB	Indoor Temperature (°F, DB)																				
	60			65			70			75			77			80			86		
	TC (Btu/h)	PI (W)	COP2	TC (Btu/h)	PI (W)	COP2	TC (Btu/h)	PI (W)	COP2	TC (Btu/h)	PI (W)	COP2	TC (Btu/h)	PI (W)	COP2	TC (Btu/h)	PI (W)	COP2	TC (Btu/h)	PI (W)	COP2
-4°F (-20°C)	8,892	1,004	2.60	8,676	1,038	2.45	8,466	1,073	2.31	8,251	1,091	2.22	8,042	1,109	2.13	7,838	1,127	2.04	7,639	1,145	1.96
5°F (-15°C)	9,879	1,056	2.74	9,639	1,092	2.59	9,405	1,129	2.44	9,167	1,147	2.34	8,935	1,166	2.25	8,708	1,185	2.15	8,487	1,204	2.07
17°F (-8°C)	11,113	981	3.32	10,843	1,014	3.13	10,580	1,048	2.96	10,312	1,065	2.84	10,051	1,082	2.72	9,796	1,100	2.61	9,548	1,118	2.50
23°F (-5°C)	11,759	975	3.53	11,474	1,008	3.34	11,196	1,042	3.15	10,912	1,059	3.02	10,635	1,076	2.90	10,365	1,094	2.78	10,102	1,112	2.66
32°F (0°C)	12,445	969	3.76	12,143	1,002	3.55	11,848	1,036	3.35	11,548	1,053	3.21	11,255	1,070	3.08	10,970	1,088	2.96	10,692	1,106	2.83
47°F (8°C)	13,170	963	4.01	12,850	996	3.78	12,538	1,030	3.57	12,220	1,047	3.42	11,910	1,064	3.28	11,608	1,081	3.15	11,314	1,099	3.02
60°F (16°C)	13,936	958	4.26	13,598	990	4.03	13,268	1,024	3.80	12,932	1,041	3.64	12,604	1,058	3.49	12,285	1,075	3.35	11,974	1,093	3.21

### Cooling Capacity Data

Outdoor Air Temp DB	Indoor Temperature (°F, DB/WB)																							
	64/53			68/57			72/61			77/64			80/67			82/70			86/72			90/75		
	TC (Btu/h)	PI (W)	EER2	TC (Btu/h)	PI (W)	EER2	TC (Btu/h)	PI (W)	EER2	TC (Btu/h)	PI (W)	EER2	TC (Btu/h)	PI (W)	EER2	TC (Btu/h)	PI (W)	EER2	TC (Btu/h)	PI (W)	EER2			
-4°F (-20°C)*	8,268	1,058	7.81	8,626	1,019	8.47	9,000	981	9.18	9,390	944	9.95	9,797	909	10.78	10,220	876	11.67	10,663	843	12.64	11,124	813	13.68
14°F (-10°C)*	12,120	1,038	11.68	12,645	999	12.66	13,193	962	13.71	13,765	926	14.87	14,362	891	16.12	14,983	859	17.44	15,631	828	18.88	16,307	798	20.43
32°F (0°C)	11,948	1,048	11.40	12,466	1,009	12.35	13,006	971	13.39	13,570	935	14.51	14,158	900	15.73	14,771	867	17.04	15,410	835	18.46	16,077	805	19.97
50°F (10°C)	11,776	1,059	11.12	12,286	1,019	12.06	12,819	981	13.07	13,375	944	14.17	13,955	909	15.35	14,559	876	16.62	15,189	844	18.00	15,846	813	19.49
65°F (18°C)	11,659	1,071	10.89	12,164	1,031	11.80	12,691	992	12.79	13,241	955	13.86	13,815	919	15.03	14,413	885	16.29	15,037	853	17.63	15,688	822	19.09
75°F (24°C)	11,541	1,083	10.66	12,041	1,042	11.56	12,563	1,003	12.53	13,108	965	13.58	13,676	929	14.72	14,268	895	15.94	14,885	862	17.27	15,529	831	18.69
85°F (29°C)	11,426	1,094	10.44	11,921	1,053	11.32	12,438	1,014	12.27	12,977	976	13.30	13,539	939	14.42	14,125	905	15.61	14,736	872	16.90	15,374	840	18.30
95°F (35°C)	10,283	1,251	8.22	10,729	1,204	8.91	11,194	1,159	9.66	11,679	1,116	10.47	12,185	1,074	11.35	12,712	1,035	12.28	13,262	997	13.30	13,836	961	14.40
105°F (41°C)	9,974	1,263	7.90	10,406	1,216	8.56	10,857	1,171	9.27	11,328	1,127	10.05	11,819	1,085	10.89	12,330	1,045	11.80	12,863	1,007	12.77	13,419	970	13.83
115°F (46°C)	9,774	1,277	7.65	10,198	1,229	8.30	10,640	1,183	8.99	11,101	1,139	9.75	11,582	1,096	10.57	12,083	1,056	11.44	12,606	1,017	12.40	13,151	980	13.42

Heating and cooling capacities and power usage are measured under the assumption of indoor humidity of 46%.

\*Cooling capacities under low ambient temperatures below 23°F (-5°C) are tested when using wind baffle on outdoor unit.

Rev. Feb. 2023



# Haier Tempo Submittal

18,000 BTU Wall Mount Single-Zone Heat Pump System

**1U18TE2VHA / AW18TE2VHA**

Job Name: \_\_\_\_\_

Purchaser: \_\_\_\_\_

Submitted To: \_\_\_\_\_

Construction: \_\_\_\_\_

Reference: \_\_\_\_\_

Approval: \_\_\_\_\_

Date: \_\_\_\_\_

Submitted By: \_\_\_\_\_

Unit: \_\_\_\_\_

Drawing #: \_\_\_\_\_



Accessories		
Controller	Model/Part Number	Note
Ships with	Standard Remote Control (WJ01X24721)	
Compatible Controllers	Simplified Wired Controller (QACT17A)	Requires WK-B kit
	Programmable Wired Controller (YR-E16B)	Requires WK-B kit
WiFi Module	QAWF01A	
Wind Baffle	QAWB37A	

Electrical Requirement	
Power Supply	208/230V, 1 Phase, 60 HZ
Operating Voltage Range	187~253 VAC
Recommended Fuse/Breaker Size	20A
MCA	17A

Connecting cable to indoor units must be 14/4 AWG unshielded stranded copper. Cable must be ran continuous, without splicing.

Operating Range	
Cooling with Wind Baffle	14~115°F (-10~46°C)
Cooling Without Wind Baffle	23~115°F (-5~46°C)
Heating	-4~75°F (-20~24°C)

Cooling Performance	
Rated Cooling Capacity	18,000 BTU
Cooling Capacity Range	5,000~19,000 BTU
Rated Power input	1,650 W
SEER	16.0
EER	10.0

Heating Performance	
Rated Heating Capacity	19,000 BTU
Heating Capacity Range	5,400~22,000 BTU
HSPF	9.0

Pipe Length		
Minimum Pipe Length	10 ft	
Maximum Pipe Length	83 ft	
Maximum Pipe Height Difference	50 ft	
Flare Connections	Liquid	1/4"
	Vapor	1/2"



For more information visit us:  
[www.Haierductless.com](http://www.Haierductless.com)  
[www.Haierductlesshelp.com](http://www.Haierductlesshelp.com)



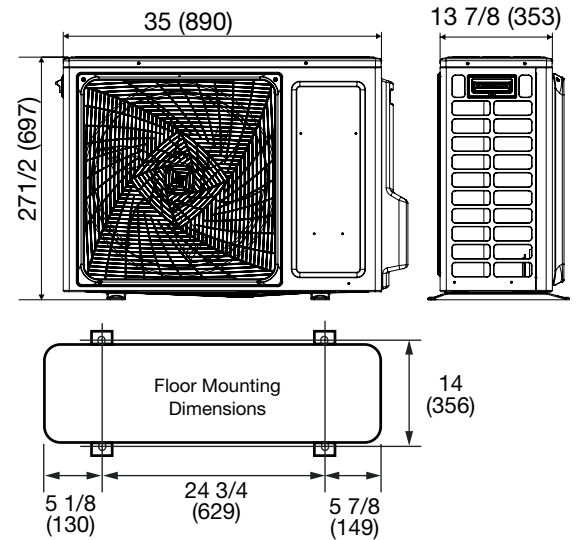
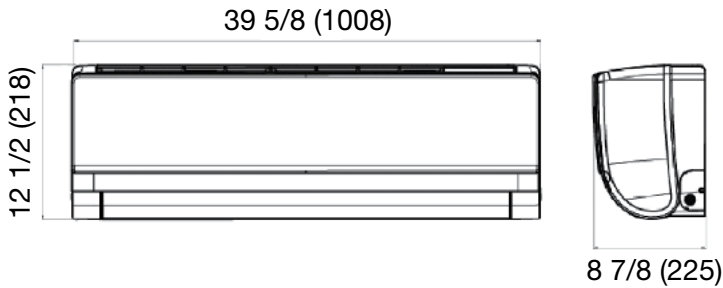
# Haier Tempo Submittal

18,000 BTU Wall Mount Single-Zone Heat Pump System

## 1U18TE2VHA / AW18TE2VHA

Indoor Unit	
Uncrated Dimension (HxWxD)	12 1/2 x 39 5/8 x 8 7/8 in (318 x 1008 x 225 mm)
Crated (HxWxD)	15 7/8 x 42 3/4 x 13 in (403 x 1085 x 329 mm)
Airflow CFM (Turbo/High/Med/Low/Quiet)	545/530/505/475/460
Indoor Sound Level dB (Turbo/High/Med/Low/Quiet)	45/43/39/36/33
Motor Rating (HP)	0.064
Heat Exchanger Fin Type	Blue Fin
Weight (Ship/Net)	33/26.5 lbs

Outdoor Unit	
Compressor	DC inverter Driven Rotary
Uncrated Dimension (HxWxD)	27 1/2 x 35 x 13 7/8 in (697 x 890 x 353 mm)
Crated (HxWxD)	30 3/4 x 41 1/8 x 18 1/8 in (780 x 1046 x 460 mm)
Outdoor Sound Rating dB	56
Heat Exchanger Fin Type	Blue Fin
Weight (Ship/Net)	105.8/97 lbs
Factory Refrigerant Charge	R-410A (40.6 oz)



### Heating Capacity Data

Outdoor Air Temp DB	Indoor Temperature								
	59°F (15°C)			68°F (20°C)			77°F (25°C)		
	Maximum Capacity (Btu/h)	Power Usage (w)	COP	Maximum Capacity (Btu/h)	Power Usage (w)	COP	Maximum Capacity (Btu/h)	Power Usage (w)	COP
-4°F (-20°C)	9,980	2,120	1.38	9,600	2,260	1.24	9,020	2,370	1.12
5°F (-15°C)	13,230	2,040	1.90	12,600	2,170	1.70	11,970	2,300	1.53
17°F (-8°C)	16,880	1,600	3.09	15,920	1,700	2.74	15,280	1,800	2.49
47°F (8°C)	20,680	1,650	3.67	19,150	1,790	3.14	17,620	1,930	2.68

### Cooling Capacity Data

Outdoor Air Temp DB	Indoor Temperature								
	70°F (21°C)			75°F (24°C)			80°F (27°C)		
	Maximum Capacity (Btu/h)	Power Usage (w)	EER	Maximum Capacity (Btu/h)	Power Usage (w)	EER	Maximum Capacity (Btu/h)	Power Usage (w)	EER
14°F (-10°C)*	15,680	620	25.29	16,200	630	25.71	17,420	650	26.80
23°F (-5°C)	15,680	630	24.89	16,200	640	25.31	17,420	660	26.39
41°F (5°C)	15,680	640	24.50	16,200	650	24.92	17,420	670	26.00
45°F (7.2°C)	15,680	650	24.12	16,200	660	24.55	17,420	680	25.62
55°F (12.8°C)	15,680	660	23.76	16,200	670	24.18	17,420	690	25.25
65°F (18°C)	16,950	1,670	10.15	17,510	1,710	10.24	18,830	1,760	10.70
75°F (24°C)	18,370	1,640	11.20	18,990	1,680	11.30	20,420	1,730	11.80
85°F (29°C)	19,650	1,740	11.29	20,310	1,770	11.47	21,840	1,830	11.93
95°F (35°C)	18,550	1,830	10.14	19,170	1,870	10.25	20,620	1,920	10.74
105°F (41°C)	17,610	1,920	9.17	18,190	1,960	9.28	19,560	2,020	9.68
115°F (46°C)	12,610	1,030	12.24	13,030	1,050	12.41	14,010	1,080	12.97

Heating and cooling capacities and power usage are measured under the assumption of indoor humidity of 46%.

\*Cooling capacities under low ambient temperatures below 23°F (-5°C) are tested when using wind baffle on outdoor unit.

# Haier Tempo Submittal

18,000 BTU Wall Mount Single-Zone Heat Pump System

**1U18TE2HDA / AW18TC2HDA**

Job Name: \_\_\_\_\_

Purchaser: \_\_\_\_\_

Submitted To: \_\_\_\_\_

Construction: \_\_\_\_\_

Reference: \_\_\_\_\_

Approval: \_\_\_\_\_

Date: \_\_\_\_\_

Submitted By: \_\_\_\_\_

Unit: \_\_\_\_\_

Drawing #: \_\_\_\_\_



Accessories		
Controller	Model/Part Number	Note
Ships with	Standard Remote Control (WJ01X24721)	
Compatible Controllers	Simplified Wired Controller (QACT17A)	
	Programmable Wired Controller (YR-E16B)	Requires WK-B kit
WiFi Module	QAWF01A	
Wind Baffle	QAWB37A	

Electrical Requirement	
Power Supply	208/230V, 1 Phase, 60 HZ
Operating Voltage Range	187~253 VAC
Recommended Fuse/Breaker Size	25A
MCA	18A

Connecting cable to indoor units must be 14/4 AWG unshielded stranded copper. Cable must be ran continuous, without splicing.

Operating Range	
Cooling with Wind Baffle	-4~115°F (-10~46°C)
Cooling Without Wind Baffle	23~115°F (-5~46°C)
Heating	-4~75°F (-20~24°C)

Cooling Performance	
Rated Cooling Capacity	18,000 BTU
Cooling Capacity Range	5,500~20,000 BTU
Rated Power input	1,600 W
SEER/SEER2	19.0/19.0
EER/EER2	11.0/11.0

Heating Performance	
Rated Heating Capacity	19,000 BTU
Heating Capacity Range	5,000~22,000 BTU
HSPF/HSPF2 (IV)/HSPF2(V)	10.0/9.0/7.8

Pipe Length		
Minimum Pipe Length	10 ft	
Maximum Pipe Length	83 ft	
Maximum Pipe Height Difference	50 ft	
Flare Connections	Liquid	1/4"
	Vapor	1/2"



For more information visit us:  
[www.Haierductless.com](http://www.Haierductless.com)  
[www.Haierductlesshelp.com](http://www.Haierductlesshelp.com)



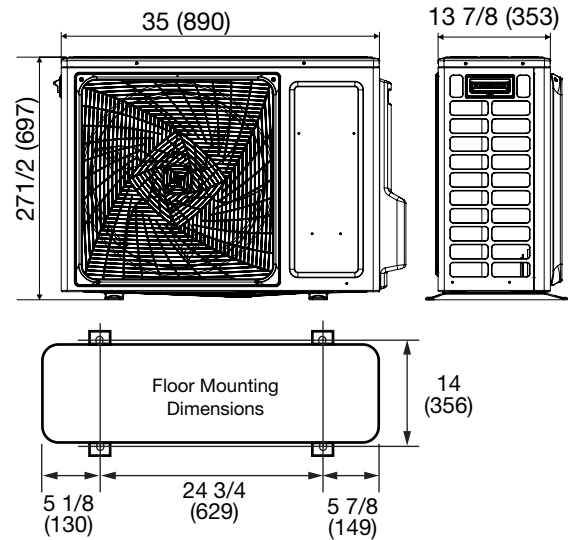
# Haier Tempo Submittal

18,000 BTU Wall Mount Single-Zone Heat Pump System

## 1U18TE2HDA / AW18TC2HDA

Indoor Unit	
Uncrated Dimension (HxWxD)	12 7/8 x 39 3/8 x 8 3/4 in (327 x 999 x 223 mm)
Crated (HxWxD)	12 3/8 x 43 1/4 x 16 1/2 in (313x1100x420 mm)
Airflow CFM (Turbo/High/Med/Low/Quiet)	1300/1150/1050/950/800
Indoor Sound Level dB (Turbo/High/Med/Low/Quiet)	50/46/44/40/35
Motor Rating (HP)	0.07
Heat Exchanger Fin Type	Blue Fin
Weight (Ship/Net)	34.77/28.06 lbs

Outdoor Unit	
Compressor	DC inverter Driven Rotary
Uncrated Dimension (HxWxD)	27 1/2 x 35 x 13 7/8 in (697 x 890 x 353 mm)
Crated (HxWxD)	30 3/4 x 41 1/8 x 18 1/8 in (780 x 1046 x 460 mm)
Outdoor Sound Rating dB	59
Heat Exchanger Fin Type	Blue Fin
Weight (Ship/Net)	117.51/99.96 lbs
Factory Refrigerant Charge	R-410A (49.4 oz)



### Heating Capacity Data

TC: Total Capacity, PI: Power Input

Outdoor Air Temp DB	Indoor Temperature (°F, DB)																					
	60			65			70			75			77			80			86			
	TC (Btu/h)	PI (W)	COP2	TC (Btu/h)	PI (W)	COP2	TC (Btu/h)	PI (W)	COP2	TC (Btu/h)	PI (W)	COP2	TC (Btu/h)	PI (W)	COP2	TC (Btu/h)	PI (W)	COP2	TC (Btu/h)	PI (W)	COP2	
-4°F (-20°C)	11,973	2,319	1.51	11,683	2,398	1.43	11,400	2,480	1.35	11,111	2,520	1.29	10,829	2,561	1.24	10,555	2,602	1.19	10,287	2,644	1.14	
5°F (-15°C)	13,654	2,094	1.91	13,323	2,166	1.80	13,000	2,240	1.70	12,671	2,276	1.63	12,350	2,313	1.56	12,037	2,350	1.50	11,732	2,388	1.44	
17°F (-8°C)	13,654	1,889	2.12	13,323	1,953	2.00	13,000	2,020	1.89	12,671	2,053	1.81	12,350	2,086	1.74	12,037	2,120	1.66	11,732	2,154	1.60	
23°F (-5°C)	15,231	1,878	2.38	14,861	1,942	2.24	14,500	2,008	2.12	14,133	2,040	2.03	13,775	2,073	1.95	13,426	2,106	1.87	13,086	2,140	1.79	
32°F (0°C)	18,697	1,866	2.94	18,243	1,930	2.77	17,800	1,996	2.61	17,349	2,028	2.51	16,910	2,061	2.40	16,482	2,094	2.31	16,065	2,128	2.21	
47°F (8°C)	20,482	1,702	3.53	19,985	1,760	3.33	19,500	1,820	3.14	19,006	1,849	3.01	18,525	1,879	2.89	18,056	1,909	2.77	17,599	1,940	2.66	
60°F (16°C)	21,675	1,691	3.76	21,149	1,749	3.54	20,636	1,809	3.34	20,113	1,838	3.21	19,604	1,868	3.08	19,108	1,898	2.95	18,624	1,929	2.83	

### Cooling Capacity Data

Outdoor Air Temp DB	Indoor Temperature (°F, DB/WB)																							
	64/53			68/57			72/61			77/64			80/67			82/70			86/72			90/75		
	TC (Btu/h)	PI (W)	EER2	TC (Btu/h)	PI (W)	EER2	TC (Btu/h)	PI (W)	EER2	TC (Btu/h)	PI (W)	EER2	TC (Btu/h)	PI (W)	EER2	TC (Btu/h)	PI (W)	EER2	TC (Btu/h)	PI (W)	EER2			
-4°F (-20°C)*	12,076	1,582	7.63	12,599	1,524	8.26	13,145	1,468	8.95	13,715	1,413	9.71	14,310	1,362	10.51	14,929	1,315	11.35	15,576	1,268	12.28	16,249	1,217	13.35
14°F (-10°C)*	11,139	1,234	9.03	11,622	1,188	9.78	12,126	1,144	10.60	12,652	1,101	11.49	13,200	1,060	12.45	13,771	1,021	13.49	14,367	984	14.60	14,989	948	15.81
32°F (0°C)	13,165	1,397	9.42	13,736	1,345	10.21	14,331	1,295	11.07	14,952	1,247	11.99	15,600	1,200	13.00	16,275	1,156	14.08	16,979	1,114	15.24	17,714	1,073	16.51
50°F (10°C)	13,925	1,455	9.57	14,528	1,401	10.37	15,158	1,349	11.24	15,815	1,299	12.17	16,500	1,250	13.20	17,214	1,204	14.30	17,959	1,160	15.48	18,736	1,118	16.76
65°F (18°C)	14,768	1,594	9.26	15,408	1,535	10.04	16,076	1,478	10.88	16,773	1,423	11.79	17,500	1,370	12.77	18,257	1,320	13.83	19,047	1,272	14.97	19,871	1,225	16.22
75°F (24°C)	15,275	1,711	8.93	15,937	1,647	9.68	16,628	1,586	10.48	17,348	1,527	11.36	18,100	1,470	12.31	18,883	1,416	13.34	19,700	1,364	14.44	20,553	1,314	15.64
85°F (29°C)	15,445	1,804	8.56	16,114	1,737	9.28	16,812	1,672	10.06	17,540	1,610	10.89	18,300	1,550	11.81	19,092	1,493	12.79	19,918	1,438	13.85	20,780	1,385	15.00
95°F (35°C)	15,190	1,862	8.16	15,848	1,793	8.84	16,535	1,726	9.58	17,252	1,662	10.38	18,000	1,600	11.25	18,779	1,541	12.19	19,592	1,484	13.20	20,440	1,430	14.29
105°F (41°C)	15,360	1,956	7.85	16,026	1,883	8.51	16,720	1,813	9.22	17,444	1,745	10.00	18,200	1,680	10.83	18,988	1,618	11.74	19,810	1,559	12.71	20,667	1,502	13.76
115°F (46°C)	14,516	2,061	7.04	15,145	1,984	7.63	15,801	1,910	8.27	16,486	1,839	8.96	17,200	1,770	9.72	17,944	1,705	10.52	18,720	1,642	11.40	19,530	1,582	12.35

Heating and cooling capacities and power usage are measured under the assumption of indoor humidity of 46%.

\*Cooling capacities under low ambient temperatures below 23°F (-5°C) are tested when using wind baffle on outdoor unit.

Rev. Feb. 2023

# Haier Tempo Submittal

24,000 BTU Wall Mount Single-Zone Heat Pump System

**1U24TE2VHA / AW24TE2VHA**

Job Name: \_\_\_\_\_

Purchaser: \_\_\_\_\_

Submitted To: \_\_\_\_\_

Construction: \_\_\_\_\_

Reference: \_\_\_\_\_

Approval: \_\_\_\_\_

Date: \_\_\_\_\_

Submitted By: \_\_\_\_\_

Unit: \_\_\_\_\_

Drawing #: \_\_\_\_\_



Accessories		
Controller	Model/Part Number	Note
Ships with	Standard Remote Control (WJ01X24721)	
Compatible Controllers	Simplified Wired Controller (QACT17A)	Requires WK-B kit
	Programmable Wired Controller (YR-E16B)	Requires WK-B kit
WiFi Module	QAWF01A	
Wind Baffle	QAWB45A	

Electrical Requirement	
Power Supply	208/230V, 1 Phase, 60 HZ
Operating Voltage Range	187~253 VAC
Recommended Fuse/Breaker Size	25A
MCA	19A

Connecting cable to indoor units must be 14/4 AWG unshielded stranded copper. Cable must be ran continuous, without splicing.

Operating Range	
Cooling with Wind Baffle	14~115°F (-10~46°C)
Cooling Without Wind Baffle	23~115°F (-5~46°C)
Heating	-4~75°F (-20~24°C)

Cooling Performance	
Rated Cooling Capacity	24,000 BTU
Cooling Capacity Range	6,500~26,000 BTU
Rated Power input	2,150 W
SEER	16.0
EER	10.0

Heating Performance	
Rated Heating Capacity	26,000 BTU
Heating Capacity Range	6,800~28,000 BTU
HSPF	10.0

Pipe Length		
Minimum Pipe Length	10 ft	
Maximum Pipe Length	83 ft	
Maximum Pipe Height Difference	50 ft	
Flare Connections	Liquid	1/4"
	Vapor	1/2"



For more information visit us:  
[www.Haierductless.com](http://www.Haierductless.com)  
[www.Haierductlesshelp.com](http://www.Haierductlesshelp.com)



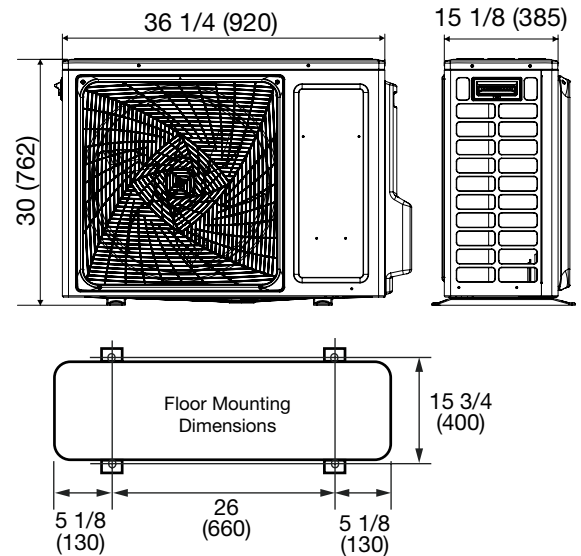
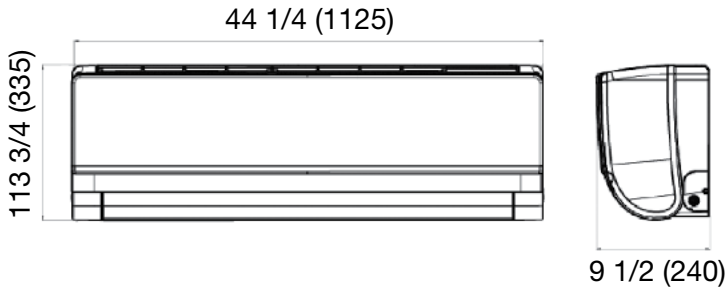
# Haier Tempo Submittal

24,000 BTU Wall Mount Single-Zone Heat Pump System

## 1U24TE2VHA / AW24TE2VHA

Indoor Unit	
Uncrated Dimension (HxWxD)	13 1/4 x 44 1/4 x 9 1/2 in (335 x 1125 x 240 mm)
Crated (HxWxD)	16 1/2 x 47 1/2 x 13 1/2 in (418 x 1206 x 342 mm)
Airflow CFM (Turbo/High/Med/Low/Quiet)	665/650/610/570/555
Indoor Sound Level dB (Turbo/High/Med/Low/Quiet)	47/45/40/37/34
Motor Rating (HP)	0.094
Heat Exchanger Fin Type	Blue Fin
Weight (Ship/Net)	38.6/30.9 lbs

Outdoor Unit	
Compressor	DC inverter Driven Rotary
Uncrated Dimension (HxWxD)	30 x 36 1/4 x 15 1/8 in (762 x 920 x 385 mm)
Crated (HxWxD)	33 1/4 x 42 3/4 x 19 1/8 in (843 x 1085 x 487 mm)
Outdoor Sound Rating dB	53
Heat Exchanger Fin Type	Blue Fin
Weight (Ship/Net)	121.3/112.5 lbs
Factory Refrigerant Charge	R-410A (67 oz)



### Heating Capacity Data

Outdoor Air Temp DB	Indoor Temperature								
	59°F (15°C)			68°F (20°C)			77°F (25°C)		
	Maximum Capacity (Btu/h)	Power Usage (w)	COP	Maximum Capacity (Btu/h)	Power Usage (w)	COP	Maximum Capacity (Btu/h)	Power Usage (w)	COP
-4°F (-20°C)	13,520	2,350	1.69	13,000	2,500	1.52	12,220	2,630	1.36
5°F (-15°C)	16,490	2,290	2.11	15,700	2,440	1.89	14,920	2,590	1.69
17°F (-8°C)	20,970	2,110	2.91	19,780	2,240	2.59	18,990	2,370	2.35
47°F (8°C)	28,240	2,200	3.76	26,150	2,390	3.21	24,060	2,580	2.73

### Cooling Capacity Data

Outdoor Air Temp DB	Indoor Temperature								
	70°F (21°C)			75°F (24°C)			80°F (27°C)		
	Maximum Capacity (Btu/h)	Power Usage (w)	EER	Maximum Capacity (Btu/h)	Power Usage (w)	EER	Maximum Capacity (Btu/h)	Power Usage (w)	EER
14°F (-10°C)*	20,300	1,150	17.65	20,970	1,170	17.92	22,550	1,210	18.64
23°F (-5°C)	20,300	1,160	17.50	20,970	1,180	17.77	22,550	1,220	18.48
41°F (5°C)	20,300	1,170	17.35	20,980	1,190	17.63	22,560	1,230	18.34
45°F (7.2°C)	20,320	1,180	17.22	21,000	1,200	17.50	22,580	1,240	18.21
55°F (12.8°C)	20,600	1,190	17.31	21,290	1,210	17.60	22,890	1,250	18.31
65°F (18°C)	21,420	2,000	10.71	22,130	2,050	10.80	23,800	2,110	11.28
75°F (24°C)	22,680	2,000	11.34	23,440	2,040	11.49	25,200	2,100	12.00
85°F (29°C)	23,250	2,040	11.40	24,030	2,090	11.50	25,840	2,150	12.02
95°F (35°C)	23,050	2,130	10.82	23,820	2,170	10.98	25,620	2,240	11.44
105°F (41°C)	17,610	1,920	9.17	18,190	1,960	9.28	19,560	2,020	9.68
115°F (46°C)	12,610	1,030	12.24	13,030	1,050	12.41	14,010	1,080	12.97

Heating and cooling capacities and power usage are measured under the assumption of indoor humidity of 46%.

\*Cooling capacities under low ambient temperatures below 23°F (-5°C) are tested when using wind baffle on outdoor unit.



# Haier Tempo Submittal

24,000 BTU Wall Mount Single-Zone Heat Pump System

**1U24TE2HDA / AW24TC2HDA**

Job Name: \_\_\_\_\_

Purchaser: \_\_\_\_\_

Submitted To: \_\_\_\_\_

Construction: \_\_\_\_\_

Reference: \_\_\_\_\_

Approval: \_\_\_\_\_

Date: \_\_\_\_\_

Submitted By: \_\_\_\_\_

Unit: \_\_\_\_\_

Drawing #: \_\_\_\_\_



Accessories		
Controller	Model/Part Number	Note
Ships with	Standard Remote Control (WJ01X24721)	
Compatible Controllers	Simplified Wired Controller (QACT17A)	
	Programmable Wired Controller (YR-E16B)	Requires WK-B kit
WiFi Module	QAWF01A	
Wind Baffle	QAWB45A	

Electrical Requirement	
Power Supply	208/230V, 1 Phase, 60 HZ
Operating Voltage Range	187~253 VAC
Recommended Fuse/Breaker Size	30A
MCA	23A

Connecting cable to indoor units must be 14/4 AWG unshielded stranded copper. Cable must be ran continuous, without splicing.

Operating Range	
Cooling with Wind Baffle	-4~115°F (-10~46°C)
Cooling Without Wind Baffle	23~115°F (-5~46°C)
Heating	-4~75°F (-20~24°C)

Cooling Performance	
Rated Cooling Capacity	24,000 BTU
Cooling Capacity Range	6,500~25,500 BTU
Rated Power input	2,350 W
SEER/SEER2	19.0/19.0
EER/EER2	9.5/9.5

Heating Performance	
Rated Heating Capacity	24,600 BTU
Heating Capacity Range	7,000-28,000 BTU
HSPF/HSPF2 (IV)/HSPF2(V)	10.0/9.0/7.8

Pipe Length		
Minimum Pipe Length	10 ft	
Maximum Pipe Length	83 ft	
Maximum Pipe Height Difference	50 ft	
Flare Connections	Liquid	1/4"
	Vapor	1/2"



For more information visit us:  
[www.Haierductless.com](http://www.Haierductless.com)  
[www.Haierductlesshelp.com](http://www.Haierductlesshelp.com)



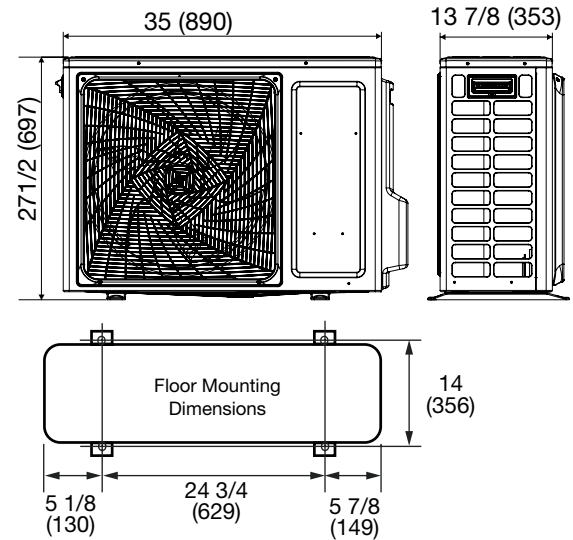
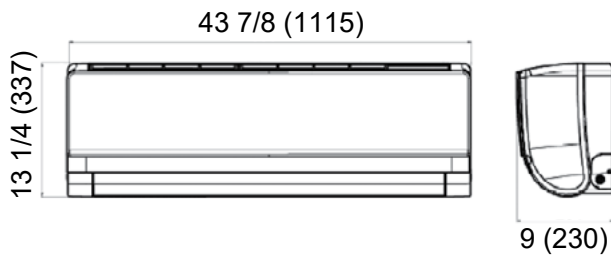
# Haier Tempo Submittal

24,000 BTU Wall Mount Single-Zone Heat Pump System

## 1U24TE2HDA / AW24TC2HDA

Indoor Unit	
Uncrated Dimension (HxWxD)	13 1/4 x 43 7/8 x 9 in (337 x 1115 x 230 mm)
Crated (HxWxD)	12 1/2 x 47 3/8 x 17 in (319x1202x432mm)
Airflow CFM (Turbo/High/Med/Low/Quiet)	1300/1150/1050/950/800
Indoor Sound Level dB (Turbo/High/Med/Low/Quiet)	54/50/47/44/38
Motor Rating (HP)	0.07
Heat Exchanger Fin Type	Blue Fin
Weight (Ship/Net)	42.99/34.88 lbs

Outdoor Unit	
Compressor	DC inverter Driven Rotary
Uncrated Dimension (HxWxD)	27 1/2 x 35 x 13 7/8 in (697 x 890 x 353 mm)
Crated (HxWxD)	30 3/4 x 41 1/8 x 18 1/8 in (780 x 1046 x 460 mm)
Outdoor Sound Rating dB	60
Heat Exchanger Fin Type	Blue Fin
Weight (Ship/Net)	119.89/102.34 lbs
Factory Refrigerant Charge	R-410A (51.2 oz)



### Heating Capacity Data

TC: Total Capacity, PI: Power Input

Outdoor Air Temp DB	Indoor Temperature (°F, DB)																				
	60			65			70			75			77			80			86		
	TC (Btu/h)	PI (W)	COP2	TC (Btu/h)	PI (W)	COP2	TC (Btu/h)	PI (W)	COP2	TC (Btu/h)	PI (W)	COP2	TC (Btu/h)	PI (W)	COP2	TC (Btu/h)	PI (W)	COP2			
-4°F (-20°C)	14,810	2,786	1.56	14,451	2,881	1.47	14,100	2,980	1.39	13,743	3,028	1.33	13,395	3,077	1.28	13,056	3,126	1.22	12,725	3,176	1.17
5°F (-15°C)	17,856	2,693	1.94	17,423	2,785	1.83	17,000	2,880	1.73	16,569	2,926	1.66	16,149	2,973	1.59	15,740	3,021	1.53	15,341	3,070	1.46
17°F (-8°C)	18,381	2,525	2.13	17,935	2,611	2.01	17,500	2,700	1.90	17,057	2,743	1.82	16,625	2,787	1.75	16,204	2,832	1.68	15,794	2,878	1.61
23°F (-5°C)	19,957	2,508	2.33	19,473	2,594	2.20	19,000	2,683	2.08	18,519	2,726	1.99	18,050	2,770	1.91	17,593	2,815	1.83	17,147	2,860	1.76
32°F (0°C)	23,108	2,403	2.82	22,547	2,485	2.66	22,000	2,570	2.51	21,443	2,611	2.41	20,900	2,653	2.31	20,371	2,696	2.21	19,855	2,739	2.12
47°F (8°C)	26,785	2,263	3.47	26,135	2,340	3.27	25,500	2,420	3.09	24,854	2,459	2.96	24,225	2,499	2.84	23,612	2,539	2.73	23,014	2,580	2.61
60°F (16°C)	28,346	2,249	3.69	27,658	2,326	3.48	26,986	2,405	3.29	26,303	2,444	3.15	25,637	2,483	3.03	24,988	2,523	2.90	24,355	2,564	2.78

TC: Total Capacity, PI: Power Input

### Cooling Capacity Data

Outdoor Air Temp DB	Indoor Temperature (°F, DB/WB)																							
	64/53			68/57			72/61			77/64			80/67			82/70			86/72			90/75		
	TC (Btu/h)	PI (W)	EER2	TC (Btu/h)	PI (W)	EER2	TC (Btu/h)	PI (W)	EER2	TC (Btu/h)	PI (W)	EER2	TC (Btu/h)	PI (W)	EER2	TC (Btu/h)	PI (W)	EER2	TC (Btu/h)	PI (W)	EER2			
-4°F (-20°C)*	16,028	2,354	6.81	16,694	2,268	7.36	17,417	2,181	7.99	18,170	2,108	8.62	18,960	2,036	9.31	19,781	1,958	10.10	20,637	1,894	10.90	21,531	1,818	11.84
14°F (-10°C)*	15,866	2,200	7.21	16,554	2,118	7.82	17,271	2,039	8.47	18,019	1,963	9.18	18,800	1,890	9.95	19,614	1,821	10.77	20,463	1,754	11.67	21,349	1,690	12.63
32°F (0°C)	17,553	2,292	7.66	18,314	2,207	8.30	19,108	2,125	8.99	19,936	2,046	9.74	20,800	1,970	10.56	21,700	1,898	11.43	22,639	1,828	12.38	23,619	1,761	13.41
50°F (10°C)	18,229	2,385	7.64	19,019	2,296	8.28	19,843	2,211	8.97	20,703	2,129	9.72	21,600	2,050	10.54	22,535	1,975	11.41	23,510	1,902	12.36	24,527	1,832	13.39
65°F (18°C)	19,242	2,491	7.72	20,076	2,398	8.37	20,946	2,309	9.07	21,853	2,223	9.83	22,800	2,140	10.65	23,787	2,061	11.54	24,816	1,985	12.50	25,890	1,912	13.54
75°F (24°C)	19,664	2,618	7.51	20,516	2,521	8.14	21,405	2,427	8.82	22,332	2,337	9.56	23,300	2,250	10.36	24,308	2,167	11.22	25,360	2,087	12.15	26,458	2,010	13.16
85°F (29°C)	20,340	2,677	7.60	21,221	2,577	8.23	22,140	2,481	8.92	23,099	2,389	9.67	24,100	2,300	10.48	25,143	2,215	11.35	26,231	2,134	12.29	27,366	2,056	13.31
95°F (35°C)	20,254	2,735	7.41	21,132	2,633	8.03	22,048	2,535	8.70	23,003	2,441	9.42	24,000	2,350	10.21	25,039	2,264	11.06	26,123	2,181	11.98	27,254	2,101	12.97
105°F (41°C)	20,593	2,874	7.17	21,485	2,767	7.76	22,416	2,664	8.41	23,387	2,565	9.12	24,400	2,470	9.88	25,456	2,379	10.70	26,558	2,291	11.59	27,707	2,207	12.55
115°F (46°C)	19,074	2,956	6.45	19,900	2,846	6.99	20,762	2,740	7.58	21,662	2,638	8.21	22,600	2,540	8.90	23,578	2,447	9.64	24,598	2,357	10.44	25,663	2,270	11.31

Heating and cooling capacities and power usage are measured under the assumption of indoor humidity of 46%.

\*Cooling capacities under low ambient temperatures below 23°F (-5°C) are tested when using wind baffle on outdoor unit.

Rev. Feb. 2023

# Haier Tempo Submittal

24,000 BTU Wall Mount Single-Zone -40°F Low-Ambient Cooling System

**1U24TL2HFA / AW24TL2HFA**

Job Name: \_\_\_\_\_

Purchaser: \_\_\_\_\_

Submitted To: \_\_\_\_\_

Construction: \_\_\_\_\_

Reference: \_\_\_\_\_

Approval: \_\_\_\_\_

Date: \_\_\_\_\_

Submitted By: \_\_\_\_\_

Unit: \_\_\_\_\_

Drawing #: \_\_\_\_\_



## Electrical Requirement

Power Supply	208/230V, 1 Phase 60 HZ
Operating Voltage Range	187-153 VAC
Recommended Fuse/Breaker Size	40A
MCA	30A

Connecting cable to indoor units must be 14/4 AWG unshielded stranded copper. Cable must be ran continuous, without splicing.

## Operating Range

Cooling	-40°F~115°F(-40~46°C)
Heating	-4~75°F (-20~24°C)

## Cooling Performance

Rated Cooling Capacity	23,000 BTU
Cooling Capacity Range	6,000~25,000 BTU
Rated Power input	1900 W
SEER/SEER2	20.0/20.0
EER/EER2	11.0/11.0

## Heating Performance

Rated Heating Capacity	26,000 BTU
Heating Capacity Range	6,000~28,000 BTU
HSPF/HSPF2 (IV)/HSPF2(V)	10.0/9.5/7.7

## Pipe Length

Minimum Pipe Length	10 ft	
Maximum Pipe Length	165 ft	
Maximum Pipe Height Difference	100 ft	
Flare Connections	Liquid	3/8"
	Vapor	5/8"

## Accessories

Controller	Model/Part Number	Note
Ships with	Standard Remote Control (WJ01X24721)	
Compatible Controllers	Simplified Wired Controller (QACT17A)	No adapter required
	Programmable Wired Controller (YR-E16B)	No adapter required
WiFi Module	QAWF01A	
Front Wind Baffle	UAWB46A	Required for low-ambient cooling
Side/Back Wind Baffles	UAWB82A	



For more information visit us:  
[www.Haierductless.com](http://www.Haierductless.com)  
[www.Haierductlesshelp.com](http://www.Haierductlesshelp.com)



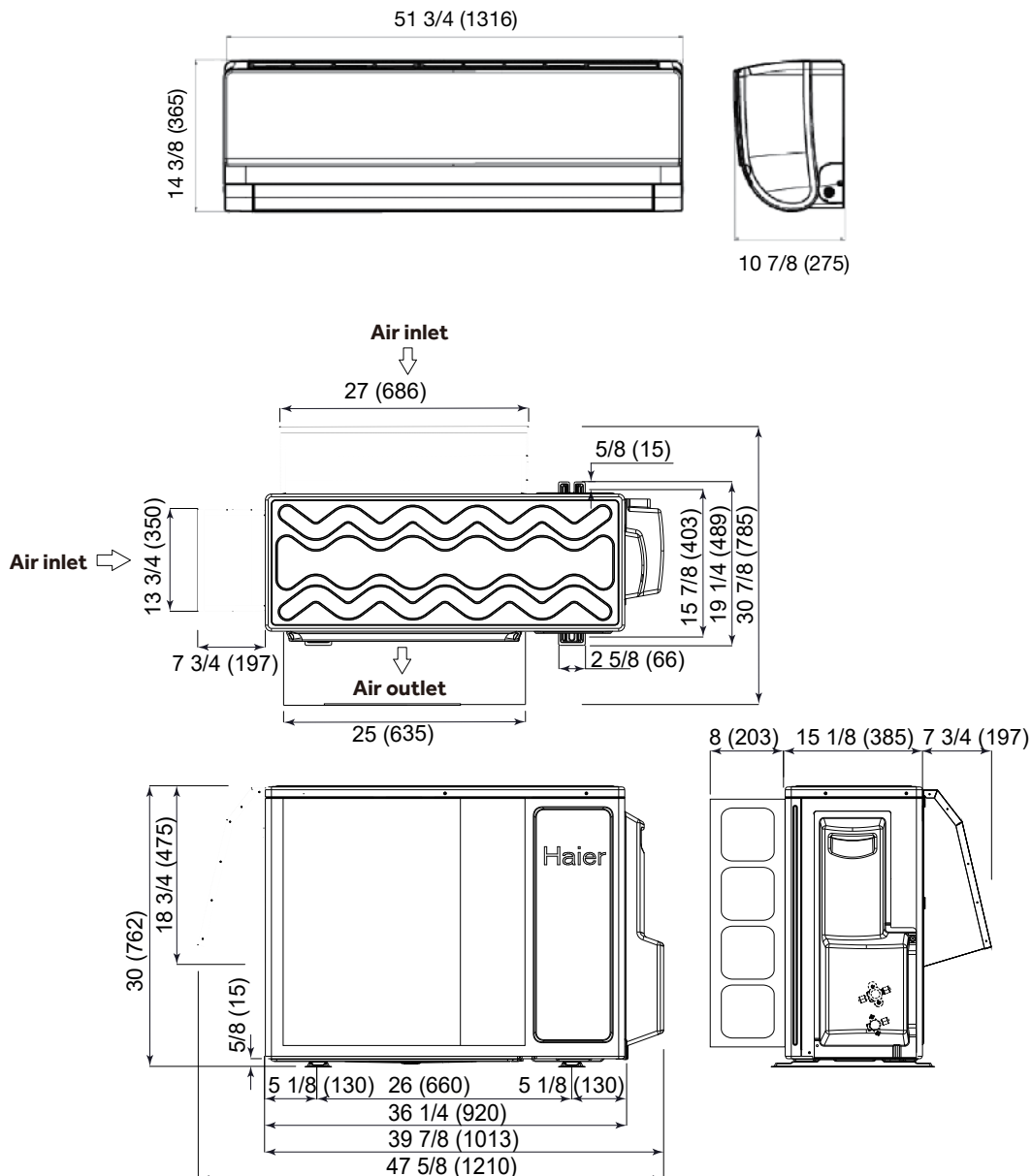
# Haier Tempo Submittal

24,000 BTU Wall Mount Single-Zone -40°F Low-Ambient Cooling System

**1U24TL2HFA / AW24TL2HFA**

Indoor Unit	
Uncrated Dimension (HxWxD)	14 3/8 × 51 3/4 × 10 7/8 in (365×1316×275 mm)
Crated (HxWxD)	18 7/8 × 55 7/8 × 15 7/8 in (478×1418×402 mm)
Airflow CFM (Turbo/High/Med/Low/Quiet)	810/750/635/520/440
Indoor Sound Level dB (Turbo/High/Med/Low/Quiet)	53/52/47/42/38
Motor Rating (HP)	0.07
Heat Exchanger Fin Type	Blue Fin
Weight (Ship/Net)	56.2/46.3 lbs

Outdoor Unit	
Compressor	DC inverter Driven Rotary
Uncrated Dimension (HxWxD)	30 × 36 1/4 × 15 1/8 in (762×920×385 mm)
Crated (HxWxD)	34 1/8 × 42 3/4 × 19 1/8 in (868×1085×485 mm)
Outdoor Sound Rating dB	61
Heat Exchanger Fin Type	Blue Fin
Weight (Ship/Net)	165/145 lbs
Factory Refrigerant Charge	R-410A (84.7oz)



# Haier Tempo Submittal

24,000 BTU Wall Mount Single-Zone -40°F Low-Ambient Cooling System

## 1U24TL2HFA / AW24TL2HFA

### Cooling Capacity Data

IDU 60°F	No Wind Baffles			Front Wind Baffle Only			Front, Side, and Back Wind Baffles		
Outdoor Air Temp DB	Maximum Capacity (Btu/h)	Power Usage (w)	EER	Maximum Capacity (Btu/h)	Power Usage (w)	EER	Maximum Capacity (Btu/h)	Power Usage (w)	EER
-40°F (-40°C)							20,700	1,000	20.70
-22°F (-30°C)							20,868.3	1,020	20.46
-15°F (-26°C)							21,044.7	1,044	20.16
-4°F (-20°C)				20,700	1,016.8	20.36	21,231.9	1,072	19.81
5°F (-15°C)				20,771.1	1,116.8	18.60	21,152.7	1,164	18.17
14°F (-10°C)				20,790	1,176.8	17.67	20,984.4	1,224	17.14
23°F (-5°C)	16,560	1,168	14.18	20,811.6	1,270.4	16.38	20,906.1	1,300	16.08
32°F (0°C)	18,720	1,200	15.60	20,687.4	1,353.6	15.28	20,584.8	1,369.6	15.03
50°F (10°C)	19,710	1,264	15.59	20,481.3	1,377.6	14.87	20,392.2	1,437.6	14.18
60°F (15°C)	19,800	1,312	15.09	19,903.5	1,428	13.94	19,706.4	1,449.6	13.59
70°F (21°C)	20,070	1,360	14.76	19,974.6	1,459.2	13.69	19,823.4	1,481.6	13.38
80°F (27°C)	20,970	1,400	14.98	20,905.2	1,493.6	14.00	20,840.4	1,529.6	13.62
95°F (35°C)	20,700	1,520	13.62	20,696.4	1,646.4	12.57	20,358.9	1,670.4	12.19
105°F (41°C)	21,240	1,640	12.95	21,182.4	1,708	12.40	21,052.8	1,744.8	12.07
115°F (46°C)	20,520	1,776	11.55	20,487.6	1,849.6	11.08	20,396.7	1,874.4	10.88

IDU 70°F	No Wind Baffles			Front Wind Baffle Only			Front, Side, and Back Wind Baffles		
Outdoor Air Temp DB	Maximum Capacity (Btu/h)	Power Usage (w)	EER	Maximum Capacity (Btu/h)	Power Usage (w)	EER	Maximum Capacity (Btu/h)	Power Usage (w)	EER
-40°F (-40°C)							21,850.0	1,125.0	19.42
-22°F (-30°C)							22,027.7	1,147.5	19.20
-15°F (-26°C)							22,213.9	1,174.5	18.91
-4°F (-20°C)				21,850.0	1,143.9	19.10	22,411.5	1,206.0	18.58
5°F (-15°C)				21,925.1	1,256.4	17.45	22,327.9	1,309.5	17.05
14°F (-10°C)				21,945.0	1,323.9	16.58	22,150.2	1,377.0	16.09
23°F (-5°C)	17,480.0	1,314.0	13.30	21,967.8	1,429.2	15.37	22,067.6	1,462.5	15.09
32°F (0°C)	19,760.0	1,350.0	14.64	21,836.7	1,522.8	14.34	21,728.4	1,540.8	14.10
50°F (10°C)	20,805.0	1,422.0	14.63	21,619.2	1,549.8	13.95	21,525.1	1,617.3	13.31
60°F (15°C)	20,900.0	1,476.0	14.16	21,009.3	1,606.5	13.08	20,801.2	1,630.8	12.76
70°F (21°C)	21,185.0	1,530.0	13.85	21,084.3	1,641.6	12.84	20,924.7	1,666.8	12.55
80°F (27°C)	22,135.0	1,575.0	14.05	22,066.6	1,680.3	13.13	21,998.2	1,720.8	12.78
95°F (35°C)	21,850.0	1,710.0	12.78	21,846.2	1,852.2	11.79	21,490.0	1,879.2	11.44
105°F (41°C)	22,420.0	1,845.0	12.15	22,359.2	1,921.5	11.64	22,222.4	1,962.9	11.32
115°F (46°C)	21,660.0	1,998.0	10.84	21,625.8	2,080.8	10.39	21,529.9	2,108.7	10.21

IDU 80°F	No Wind Baffles			Front Wind Baffle Only			Front, Side, and Back Wind Baffles		
Outdoor Air Temp DB	Maximum Capacity (Btu/h)	Power Usage (w)	EER	Maximum Capacity (Btu/h)	Power Usage (w)	EER	Maximum Capacity (Btu/h)	Power Usage (w)	EER
-40°F (-40°C)							23,000	1,250	18.40
-22°F (-30°C)							23,187	1,275	18.19
-15°F (-26°C)							23,383	1,305	17.92
-4°F (-20°C)				23,000	1,271	18.10	23,591	1,340	17.61
5°F (-15°C)				23,079	1,396	16.53	23,503	1,455	16.15
14°F (-10°C)				23,100	1,471	15.70	23,316	1,530	15.24
23°F (-5°C)	18,400	1,460	12.60	23,124	1,588	14.56	23,229	1,625	14.29
32°F (0°C)	20,800	1,500	13.87	22,986	1,692	13.59	22,872	1,712	13.36
50°F (10°C)	21,900	1,580	13.86	22,757	1,722	13.22	22,658	1,797	12.61
60°F (15°C)	22,000	1,640	13.41	22,115	1,785	12.39	21,896	1,812	12.08
70°F (21°C)	22,300	1,700	13.12	22,194	1,824	12.17	22,026	1,852	11.89
80°F (27°C)	23,300	1,750	13.31	23,228	1,867	12.44	23,156	1,912	12.11
95°F (35°C)	23,000	1,900	12.11	22,996	2,058	11.17	22,621	2,088	10.83
105°F (41°C)	23,600	2,050	11.51	23,536	2,135	11.02	23,392	2,181	10.73
115°F (46°C)	22,800	2,220	10.27	22,764	2,312	9.85	22,663	2,343	9.67

# Haier Tempo Submittal

24,000 BTU Wall Mount Single-Zone -40°F Low-Ambient Cooling System

**1U24TL2HFA / AW24TL2HFA**

## Heating Capacity Data

IDU 60°F	No Wind Baffles			Front, Side, and Back Wind Baffles		
Outdoor Air Temp DB	Maximum Capacity (Btu/h)	Power Usage (w)	COP	Maximum Capacity (Btu/h)	Power Usage (w)	COP
-4°F (-20°C)	13,545.0	3,045.0	1.30	15,258.6	3,131.0	1.43
5°F (-15°C)	22,890.0	3,685.0	1.82	23,100.0	3,715.0	1.82
14°F (-10°C)	21,412.7	2,766.0	2.27	22,270.5	2,833.0	2.30
23°F (-5°C)	25,181.1	2,631.0	2.81	25,776.5	2,684.0	2.81
32°F (0°C)	28,950.6	2,496.0	3.40	29,283.5	2,536.0	3.38

IDU 70°F	No Wind Baffles			Front, Side, and Back Wind Baffles		
Outdoor Air Temp DB	Maximum Capacity (Btu/h)	Power Usage (w)	COP	Maximum Capacity (Btu/h)	Power Usage (w)	COP
-4°F (-20°C)	12,900	3,020	1.25	14,532	3,106	1.37
5°F (-15°C)	21,800	3,660	1.75	22,000	3,690	1.75
14°F (-10°C)	20,393	2,741	2.18	21,210	2,808	2.21
23°F (-5°C)	23,982	2,606	2.70	24,549	2,659	2.71
32°F (0°C)	27,572	2,471	3.27	27,889	2,511	3.26

IDU 80°F	No Wind Baffles			Front, Side, and Back Wind Baffles		
Outdoor Air Temp DB	Maximum Capacity (Btu/h)	Power Usage (w)	COP	Maximum Capacity (Btu/h)	Power Usage (w)	COP
-4°F (-20°C)	12,255.0	2,995.0	1.20	13,805.4	3,081.0	1.31
5°F (-15°C)	20,710.0	3,635.0	1.67	20,900.0	3,665.0	1.67
14°F (-10°C)	19,373.4	2,716.0	2.09	20,149.5	2,783.0	2.12
23°F (-5°C)	22,782.9	2,581.0	2.59	23,321.6	2,634.0	2.59
32°F (0°C)	26,193.4	2,446.0	3.14	26,494.6	2,486.0	3.12



# Haier Tempo Submittal

30,000 BTU Wall Mount Single-Zone -40°F Low-Ambient Cooling System

**1U3036TL2HFA / AW30TL2HFA**

Job Name: \_\_\_\_\_

Purchaser: \_\_\_\_\_

Submitted To: \_\_\_\_\_

Construction: \_\_\_\_\_

Reference: \_\_\_\_\_

Approval: \_\_\_\_\_

Date: \_\_\_\_\_

Submitted By: \_\_\_\_\_

Unit: \_\_\_\_\_

Drawing #: \_\_\_\_\_



### Electrical Requirement

Power Supply	208/230V, 1 Phase 60 HZ
Operating Voltage Range	187-153 VAC
Recommended Fuse/Breaker Size	40A
MCA	30A

Connecting cable to indoor units must be 14/4 AWG unshielded stranded copper. Cable must be ran continuous, without splicing.

### Operating Range

Cooling	-40°F~115°F(-40~46°C)
Heating	-4~75°F (-20~24°C)

### Cooling Performance

Rated Cooling Capacity	30,000 BTU
Cooling Capacity Range	7,000~32,000 BTU
Rated Power input	3000 W
SEER/SEER2	18.0/18.0
EER/EER2	9.5/9.5

### Heating Performance

Rated Heating Capacity	31,000 BTU
Heating Capacity Range	7,000~34,000 BTU
HSPF/HSPF2 (IV)/HSPF2(V)	9.5/9.0/7.2

### Pipe Length

Minimum Pipe Length	10 ft	
Maximum Pipe Length	165 ft	
Maximum Pipe Height Difference	100 ft	
Flare Connections	Liquid	3/8"
	Vapor	5/8"

### Accessories

Controller	Model/Part Number	Note
Ships with	Standard Remote Control (WJ01X24721)	
Compatible Controllers	Simplified Wired Controller (QACT17A)	No adapter required
	Programmable Wired Controller (YR-E16B)	No adapter required
WiFi Module	QAWF01A	
Front Wind Baffle	UAWB46A	Required for low-ambient cooling
Side/Back Wind Baffles	UAWB82A	



For more information visit us:  
[www.Haierductless.com](http://www.Haierductless.com)  
[www.Haierductlesshelp.com](http://www.Haierductlesshelp.com)



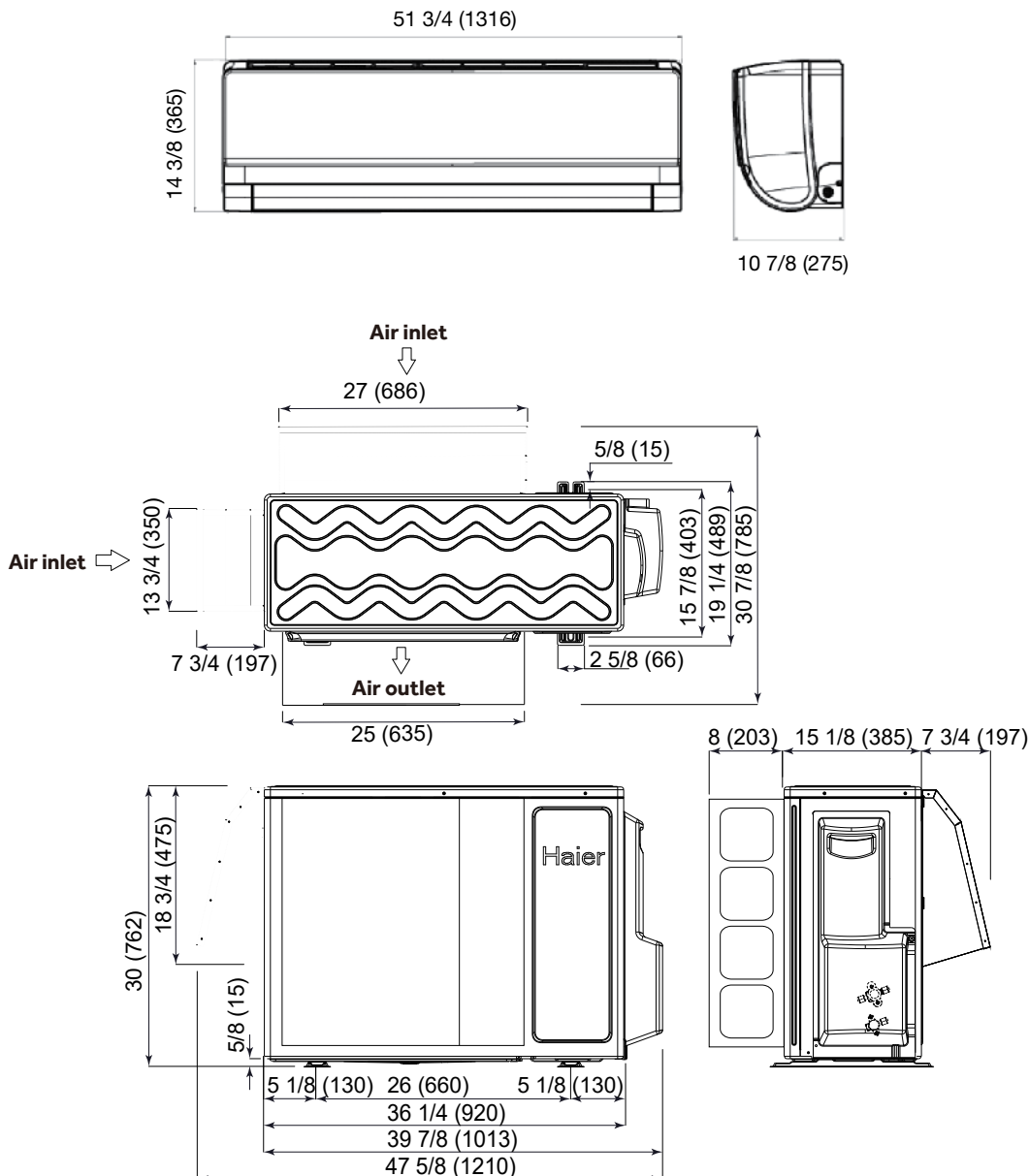
# Haier Tempo Submittal

30,000 BTU Wall Mount Single-Zone -40°F Low-Ambient Cooling System

## 1U3036TL2HFA / AW30TL2HFA

Indoor Unit	
Uncrated Dimension (HxWxD)	14 3/8 × 51 3/4 × 10 7/8 in (365×1316×275 mm)
Crated (HxWxD)	18 7/8 × 55 7/8 × 15 7/8 in (478×1418×402 mm)
Airflow CFM (Turbo/High/Med/Low/Quiet)	875/810/660/520/440
Indoor Sound Level dB (Turbo/High/Med/Low/Quiet)	55/53/49/43/38
Motor Rating (HP)	0.07
Heat Exchanger Fin Type	Blue Fin
Weight (Ship/Net)	56.2/46.3 lbs

Outdoor Unit	
Compressor	DC inverter Driven Rotary
Uncrated Dimension (HxWxD)	30 × 36 1/4 × 15 1/8 in (762×920×385 mm)
Crated (HxWxD)	34 1/8 × 42 3/4 × 19 1/8 in (868×1085×485 mm)
Outdoor Sound Rating dB	62
Heat Exchanger Fin Type	Blue Fin
Weight (Ship/Net)	165/145 lbs
Factory Refrigerant Charge	R-410A (84.7 oz)



# Haier Tempo Submittal

30,000 BTU Wall Mount Single-Zone -40°F Low-Ambient Cooling System

**1U3036TL2HFA / AW30TL2HFA**

## Cooling Capacity Data

IDU 60°F	No Wind Baffles			Front Wind Baffle Only			Front, Side, and Back Wind Baffles					
	Outdoor Air Temp DB	Maximum Capacity (Btu/h)	Power Usage (w)	EER	Maximum Capacity (Btu/h)	Power Usage (w)	EER	Maximum Capacity (Btu/h)	Power Usage (w)	EER		
-40°F (-40°C)								27,000	1,322	20.42		
-22°F (-30°C)								27,111	1,439	18.84		
-15°F (-26°C)								27,257	1,478	18.45		
-4°F (-20°C)							27,000	1,482	18.21	27,346	1,540	17.76
5°F (-15°C)							27,113	1,582	17.14	27,192	1,628	16.70
14°F (-10°C)							27,180	1,682	16.16	27,128	1,757	15.44
23°F (-5°C)	21,600	1,612	13.40	27,204	1,782	15.27	27,155	1,838	14.77			
32°F (0°C)	23,904	1,690	14.14	27,352	1,846	14.82	27,250	1,851	14.72			
50°F (10°C)	26,045	1,846	14.11	27,377	1,975	13.86	27,305	2,019	13.52			
60°F (15°C)	27,234	1,933	14.09	27,142	2,046	13.27	27,122	2,106	12.88			
70°F (21°C)	28,424	2,020	14.07	28,225	2,118	13.33	28,172	2,170	12.98			
80°F (27°C)	28,530	2,120	13.46	28,311	2,197	12.88	28,173	2,257	12.48			
95°F (35°C)	27,000	2,400	11.25	26,550	2,442	10.87	26,329	2,497	10.54			
105°F (41°C)	27,491	2,558	10.75	27,336	2,613	10.46	27,032	2,658	10.17			
115°F (46°C)	26,215	2,625	9.99	26,005	2,650	9.81	25,935	2,720	9.54			

IDU 70°F	No Wind Baffles			Front Wind Baffle Only			Front, Side, and Back Wind Baffles					
	Outdoor Air Temp DB	Maximum Capacity (Btu/h)	Power Usage (w)	EER	Maximum Capacity (Btu/h)	Power Usage (w)	EER	Maximum Capacity (Btu/h)	Power Usage (w)	EER		
-40°F (-40°C)								28,500	1,488	19.16		
-22°F (-30°C)								28,617	1,619	17.67		
-15°F (-26°C)								28,772	1,662	17.31		
-4°F (-20°C)							28,500	1,668	17.09	28,865	1,733	16.66
5°F (-15°C)							28,619	1,780	16.08	28,703	1,832	15.67
14°F (-10°C)							28,690	1,892	15.16	28,636	1,977	14.48
23°F (-5°C)	22,800	1,814	12.57	28,716	2,004	14.33	28,663	2,068	13.86			
32°F (0°C)	25,232	1,901	13.27	28,871	2,077	13.90	28,764	2,082	13.81			
50°F (10°C)	27,492	2,077	13.24	28,898	2,221	13.01	28,822	2,272	12.69			
60°F (15°C)	28,747	2,175	13.22	28,650	2,302	12.45	28,629	2,370	12.08			
70°F (21°C)	30,003	2,273	13.20	29,793	2,382	12.51	29,737	2,441	12.18			
80°F (27°C)	30,115	2,385	12.63	29,884	2,472	12.09	29,738	2,539	11.71			
95°F (35°C)	28,500	2,700	10.56	28,025	2,748	10.20	27,791	2,809	9.89			
105°F (41°C)	29,018	2,878	10.08	28,854	2,939	9.82	28,534	2,991	9.54			
115°F (46°C)	27,672	2,953	9.37	27,449	2,981	9.21	27,376	3,060	8.95			

IDU 80°F	No Wind Baffles			Front Wind Baffle Only			Front, Side, and Back Wind Baffles					
	Outdoor Air Temp DB	Maximum Capacity (Btu/h)	Power Usage (w)	EER	Maximum Capacity (Btu/h)	Power Usage (w)	EER	Maximum Capacity (Btu/h)	Power Usage (w)	EER		
-40°F (-40°C)								30,000	1,653	18.15		
-22°F (-30°C)								30,124	1,799	16.74		
-15°F (-26°C)								30,286	1,847	16.40		
-4°F (-20°C)							30,000	1,853	16.19	30,384	1,925	15.78
5°F (-15°C)							30,126	1,978	15.23	30,213	2,035	14.84
14°F (-10°C)							30,200	2,102	14.37	30,143	2,197	13.72
23°F (-5°C)	24,000	2,015	11.91	30,227	2,227	13.57	30,172	2,298	13.13			
32°F (0°C)	26,560	2,113	12.57	30,391	2,307	13.17	30,278	2,313	13.09			
50°F (10°C)	28,939	2,308	12.54	30,419	2,468	12.32	30,339	2,524	12.02			
60°F (15°C)	30,261	2,416	12.52	30,158	2,558	11.79	30,136	2,633	11.45			
70°F (21°C)	31,582	2,525	12.51	31,361	2,647	11.85	31,302	2,712	11.54			
80°F (27°C)	31,700	2,650	11.96	31,457	2,747	11.45	31,303	2,821	11.10			
95°F (35°C)	30,000	3,000	10.00	29,500	3,053	9.66	29,254	3,121	9.37			
105°F (41°C)	30,546	3,198	9.55	30,373	3,266	9.30	30,036	3,323	9.04			
115°F (46°C)	29,128	3,281	8.88	28,894	3,312	8.72	28,817	3,400	8.48			

# Haier Tempo Submittal

30,000 BTU Wall Mount Single-Zone -40°F Low-Ambient Cooling System

**1U3036TL2HFA / AW30TL2HFA**

## Heating Capacity Data

IDU 60°F	No Wind Baffles			Front, Side, and Back Wind Baffles		
Outdoor Air Temp DB	Maximum Capacity (Btu/h)	Power Usage (w)	COP	Maximum Capacity (Btu/h)	Power Usage (w)	COP
-4°F (-20°C)	19,530	3,545	1.61	20,265	3,643	1.63
5°F (-15°C)	22,890	3,685	1.82	23,100	3,715	1.82
14°F (-10°C)	26,657	3,271	2.39	27,397	3,350	2.40
23°F (-5°C)	30,220	3,134	2.83	30,963	3,203	2.83
32°F (0°C)	33,784	2,997	3.30	34,529	3,056	3.31

IDU 70°F	No Wind Baffles			Front, Side, and Back Wind Baffles		
Outdoor Air Temp DB	Maximum Capacity (Btu/h)	Power Usage (w)	COP	Maximum Capacity (Btu/h)	Power Usage (w)	COP
-4°F (-20°C)	18,600	3,520	1.55	19,300	3,618	1.56
5°F (-15°C)	21,800	3,660	1.75	22,000	3,690	1.75
14°F (-10°C)	25,388	3,246	2.29	26,093	3,325	2.30
23°F (-5°C)	28,781	3,109	2.71	29,489	3,178	2.72
32°F (0°C)	32,175	2,972	3.17	32,885	3,031	3.18

IDU 80°F	No Wind Baffles			Front, Side, and Back Wind Baffles		
Outdoor Air Temp DB	Maximum Capacity (Btu/h)	Power Usage (w)	COP	Maximum Capacity (Btu/h)	Power Usage (w)	COP
-4°F (-20°C)	17,670	3,495	1.48	18,335	3,593	1.50
5°F (-15°C)	20,710	3,635	1.67	20,900	3,665	1.67
14°F (-10°C)	24,118	3,221	2.19	24,788	3,300	2.20
23°F (-5°C)	27,342	3,084	2.60	28,014	3,153	2.60
32°F (0°C)	30,566	2,947	3.04	31,241	3,006	3.05

# Haier Tempo Submittal

36,000 BTU Wall Mount Single-Zone -40°F Low-Ambient Cooling System

**1U3036TL2HFA / AW36TL2HFA**

Job Name: \_\_\_\_\_

Purchaser: \_\_\_\_\_

Submitted To: \_\_\_\_\_

Construction: \_\_\_\_\_

Reference: \_\_\_\_\_

Approval: \_\_\_\_\_

Date: \_\_\_\_\_

Submitted By: \_\_\_\_\_

Unit: \_\_\_\_\_

Drawing #: \_\_\_\_\_



### Electrical Requirement

Power Supply	208/230V, 1 Phase 60 HZ
Operating Voltage Range	187-153 VAC
Recommended Fuse/Breaker Size	40A
MCA	30A

Connecting cable to indoor units must be 14/4 AWG unshielded stranded copper. Cable must be ran continuous, without splicing.

### Operating Range

Cooling	-40°F~115°F(-40~46°C)
Heating	-4~75°F (-20~24°C)

### Cooling Performance

Rated Cooling Capacity	33,000 BTU
Cooling Capacity Range	8,000~36,000 BTU
Rated Power input	3900 W
SEER/SEER2	17.5/17.5
EER/EER2	8.0/8.0

### Heating Performance

Rated Heating Capacity	35,000 BTU
Heating Capacity Range	8,000~39,000 BTU
HSPF/HSPF2 (IV)/HSPF2(V)	9.5/9.0/7.0

### Pipe Length

Minimum Pipe Length	10 ft	
Maximum Pipe Length	165 ft	
Maximum Pipe Height Difference	100 ft	
Flare Connections	Liquid	3/8"
	Vapor	5/8"

### Accessories

Controller	Model/Part Number	Note
Ships with	Standard Remote Control (WJ01X24721)	
Compatible Controllers	Simplified Wired Controller (QACT17A)	No adapter required
	Programmable Wired Controller (YR-E16B)	No adapter required
WiFi Module	QAWF01A	
Front Wind Baffle	UAWB46A	Required for low-ambient cooling
Side/Back Wind Baffles	UAWB82A	



For more information visit us:  
[www.Haierductless.com](http://www.Haierductless.com)  
[www.Haierductlesshelp.com](http://www.Haierductlesshelp.com)



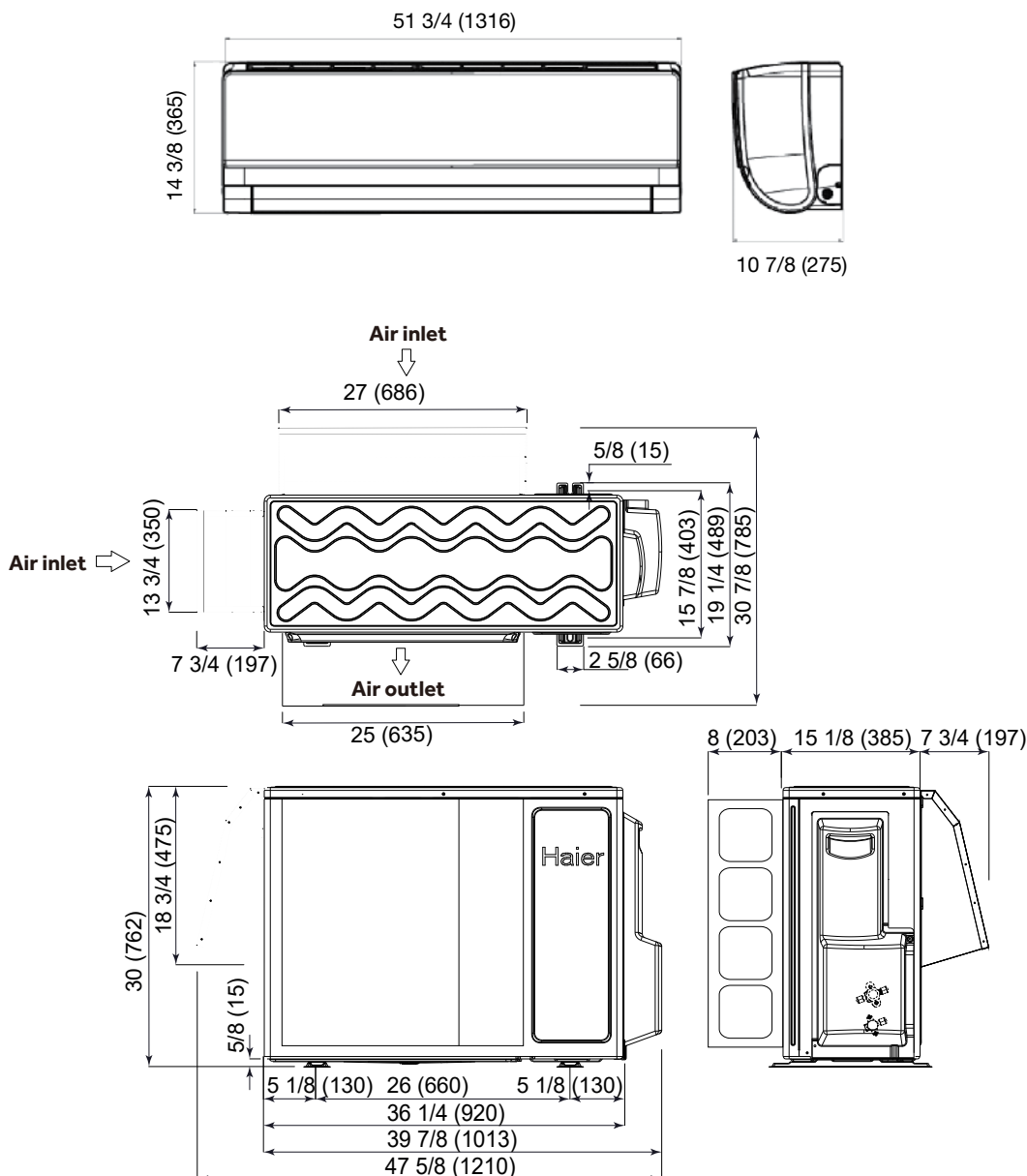
# Haier Tempo Submittal

36,000 BTU Wall Mount Single-Zone -40°F Low-Ambient Cooling System

## 1U3036TL2HFA / AW36TL2HFA

Indoor Unit	
Uncrated Dimension (HxWxD)	14 3/8 × 51 3/4 × 10 7/8 in (365×1316×275 mm)
Crated (HxWxD)	18 7/8 × 55 7/8 × 15 7/8 in (478×1418×402 mm)
Airflow CFM (Turbo/High/Med/Low/Quiet)	920/875/700/520/440
Indoor Sound Level dB (Turbo/High/Med/Low/Quiet)	56/54/50/44/40
Motor Rating (HP)	0.07
Heat Exchanger Fin Type	Blue Fin
Weight (Ship/Net)	56.2/46.3 lbs

Outdoor Unit	
Compressor	DC inverter Driven Rotary
Uncrated Dimension (HxWxD)	30 × 36 1/4 × 15 1/8 in (762×920×385 mm)
Crated (HxWxD)	34 1/8 × 42 3/4 × 19 1/8 in (868×1085×485 mm)
Outdoor Sound Rating dB	62
Heat Exchanger Fin Type	Blue Fin
Weight (Ship/Net)	165/145 lbs
Factory Refrigerant Charge	R-410A (84.7 oz)





# Haier Tempo Submittal

36,000 BTU Wall Mount Single-Zone -40°F Low-Ambient Cooling System

## 1U3036TL2HFA / AW36TL2HFA

### Cooling Capacity Data

IDU 60°F	No Wind Baffles			Front Wind Baffle Only			Front, Side, and Back Wind Baffles			
	Outdoor Air Temp DB	Maximum Capacity (Btu/h)	Power Usage (w)	EER	Maximum Capacity (Btu/h)	Power Usage (w)	EER	Maximum Capacity (Btu/h)	Power Usage (w)	EER
-40°F (-40°C)								29,700	1,403	21.17
-22°F (-30°C)								29,800	1,491	19.98
-15°F (-26°C)								29,958	1,560	19.21
-4°F (-20°C)				29,700	1,554	19.12		29,975	1,621	18.49
5°F (-15°C)				29,777	1,662	17.92		30,092	1,727	17.43
14°F (-10°C)				29,832	1,770	16.86		30,120	1,865	16.15
23°F (-5°C)	23,760	1,883	12.62	29,857	1,942	15.38		29,877	2,003	14.91
32°F (0°C)	26,064	2,040	12.78	29,959	2,113	14.18		29,746	2,162	13.76
50°F (10°C)	28,488	2,194	12.99	29,696	2,264	13.12		29,575	2,351	12.58
60°F (15°C)	29,835	2,366	12.61	29,620	2,420	12.24		29,449	2,485	11.85
70°F (21°C)	30,191	2,605	11.59	29,904	2,672	11.19		29,954	2,730	10.97
80°F (27°C)	30,318	2,945	10.30	30,141	2,595	11.62		30,031	2,647	11.35
95°F (35°C)	29,700	3,120	9.52	29,596	3,147	9.40		29,246	3,174	9.22
105°F (41°C)	29,408	3,184	9.24	29,293	3,200	9.15		29,124	3,209	9.08
115°F (46°C)	27,542	3,233	8.52	27,460	3,244	8.46		27,203	3,250	8.37

IDU 70°F	No Wind Baffles			Front Wind Baffle Only			Front, Side, and Back Wind Baffles			
	Outdoor Air Temp DB	Maximum Capacity (Btu/h)	Power Usage (w)	EER	Maximum Capacity (Btu/h)	Power Usage (w)	EER	Maximum Capacity (Btu/h)	Power Usage (w)	EER
-40°F (-40°C)								31,350	1,579	19.86
-22°F (-30°C)								31,455	1,678	18.75
-15°F (-26°C)								31,622	1,754	18.02
-4°F (-20°C)				31,350	1,748	17.94		31,640	1,823	17.35
5°F (-15°C)				31,432	1,869	16.81		31,764	1,943	16.35
14°F (-10°C)				31,490	1,991	15.82		31,793	2,098	15.15
23°F (-5°C)	25,080	2,119	11.84	31,515	2,184	14.43		31,537	2,254	13.99
32°F (0°C)	27,513	2,295	11.99	31,624	2,377	13.30		31,399	2,432	12.91
50°F (10°C)	30,071	2,468	12.18	31,346	2,547	12.31		31,218	2,645	11.80
60°F (15°C)	31,492	2,662	11.83	31,266	2,723	11.48		31,085	2,795	11.12
70°F (21°C)	31,869	2,930	10.88	31,566	3,006	10.50		31,618	3,072	10.29
80°F (27°C)	32,003	3,313	9.66	31,815	2,919	10.90		31,699	2,977	10.65
95°F (35°C)	31,350	3,510	8.93	31,240	3,541	8.82		30,871	3,570	8.65
105°F (41°C)	31,042	3,582	8.67	30,920	3,600	8.59		30,742	3,610	8.52
115°F (46°C)	29,072	3,637	7.99	28,985	3,650	7.94		28,714	3,656	7.85

IDU 80°F	No Wind Baffles			Front Wind Baffle Only			Front, Side, and Back Wind Baffles			
	Outdoor Air Temp DB	Maximum Capacity (Btu/h)	Power Usage (w)	EER	Maximum Capacity (Btu/h)	Power Usage (w)	EER	Maximum Capacity (Btu/h)	Power Usage (w)	EER
-40°F (-40°C)								33,000	1,754	18.81
-22°F (-30°C)								33,111	1,864	17.76
-15°F (-26°C)								33,286	1,949	17.08
-4°F (-20°C)				33,000	1,942	16.99		33,305	2,026	16.44
5°F (-15°C)				33,086	2,077	15.93		33,436	2,159	15.49
14°F (-10°C)				33,147	2,212	14.99		33,466	2,331	14.36
23°F (-5°C)	26,400	2,354	11.21	33,174	2,427	13.67		33,197	2,504	13.26
32°F (0°C)	28,961	2,550	11.36	33,288	2,641	12.60		33,052	2,702	12.23
50°F (10°C)	31,654	2,742	11.54	32,996	2,830	11.66		32,861	2,939	11.18
60°F (15°C)	33,150	2,958	11.21	32,911	3,025	10.88		32,721	3,106	10.53
70°F (21°C)	33,546	3,256	10.30	33,227	3,340	9.95		33,282	3,413	9.75
80°F (27°C)	33,687	3,681	9.15	33,490	3,244	10.32		33,368	3,308	10.09
95°F (35°C)	33,000	3,900	8.46	32,884	3,934	8.36		32,496	3,967	8.19
105°F (41°C)	32,676	3,980	8.21	32,548	4,000	8.14		32,361	4,011	8.07
115°F (46°C)	30,602	4,041	7.57	30,511	4,055	7.52		30,225	4,062	7.44

# Haier Tempo Submittal

36,000 BTU Wall Mount Single-Zone -40°F Low-Ambient Cooling System

**1U3036TL2HFA / AW36TL2HFA**

## Heating Capacity Data

IDU 80°F	No Wind Baffles			Front, Side, and Back Wind Baffles		
Outdoor Air Temp DB	Maximum Capacity (Btu/h)	Power Usage (w)	COP	Maximum Capacity (Btu/h)	Power Usage (w)	COP
-4°F (-20°C)	19,950	3,595	1.63	21,185	3,668	1.69
5°F (-15°C)	20,900	3,665	1.67	21,185	3,705	1.68
14°F (-10°C)	26,440	3,465	2.24	27,310	3,535	2.26
23°F (-5°C)	29,685	3,399	2.56	30,372	3,469	2.57
32°F (0°C)	32,930	3,334	2.89	33,434	3,402	2.88

IDU 70°F	No Wind Baffles			Front, Side, and Back Wind Baffles		
Outdoor Air Temp DB	Maximum Capacity (Btu/h)	Power Usage (w)	COP	Maximum Capacity (Btu/h)	Power Usage (w)	COP
-4°F (-20°C)	21,000	3,620	1.70	22,300	3,693	1.77
5°F (-15°C)	22,000	3,690	1.75	22,300	3,730	1.75
14°F (-10°C)	27,832	3,490	2.34	28,747	3,560	2.37
23°F (-5°C)	31,247	3,424	2.67	31,971	3,494	2.68
32°F (0°C)	34,663	3,359	3.02	35,194	3,427	3.01

IDU 60°F	No Wind Baffles			Front, Side, and Back Wind Baffles		
Outdoor Air Temp DB	Maximum Capacity (Btu/h)	Power Usage (w)	COP	Maximum Capacity (Btu/h)	Power Usage (w)	COP
-4°F (-20°C)	22,050	3,645	1.77	23,415	3,718	1.85
5°F (-15°C)	23,100	3,715	1.82	23,415	3,755	1.83
14°F (-10°C)	29,223	3,515	2.44	30,184	3,585	2.47
23°F (-5°C)	32,810	3,449	2.79	33,569	3,519	2.80
32°F (0°C)	36,396	3,384	3.15	36,954	3,452	3.14