

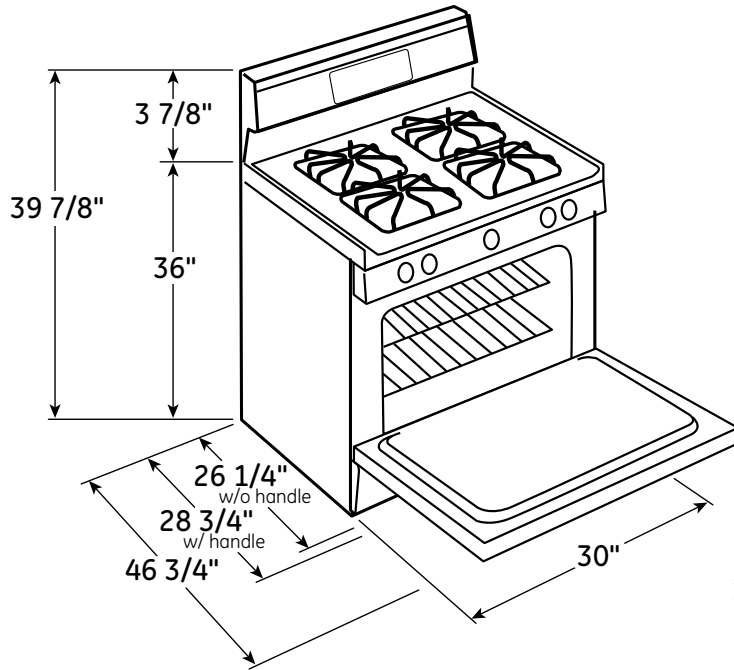
# RGB518PCH

## Hotpoint® 30" Free-Standing Gas Range

### Dimensions and Installation Information (in inches)

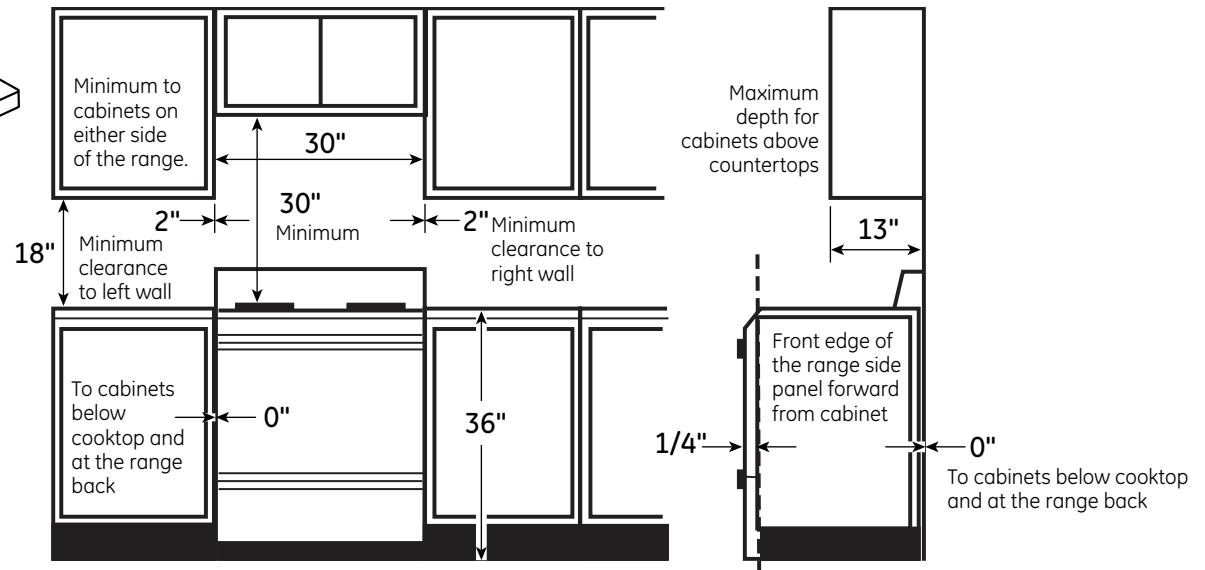
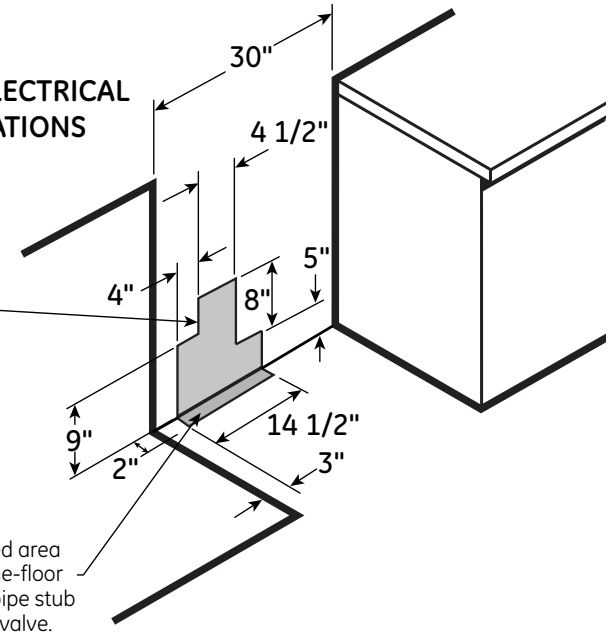
**Electrical Rating:** Standard 9V battery

**Installation Information:** Before installing, consult installation instructions packed with product for current dimensional data.



### GAS PIPE AND ELECTRICAL OUTLET LOCATIONS

Recommended area for 120V outlet on rear wall and area for through-the-wall connection of pipe stub and shut-off valve.



For answers to your Monogram® or GE® appliance questions, visit our website at [geappliances.com](http://geappliances.com) or call GE Answer Center® service, 800.626.2000.



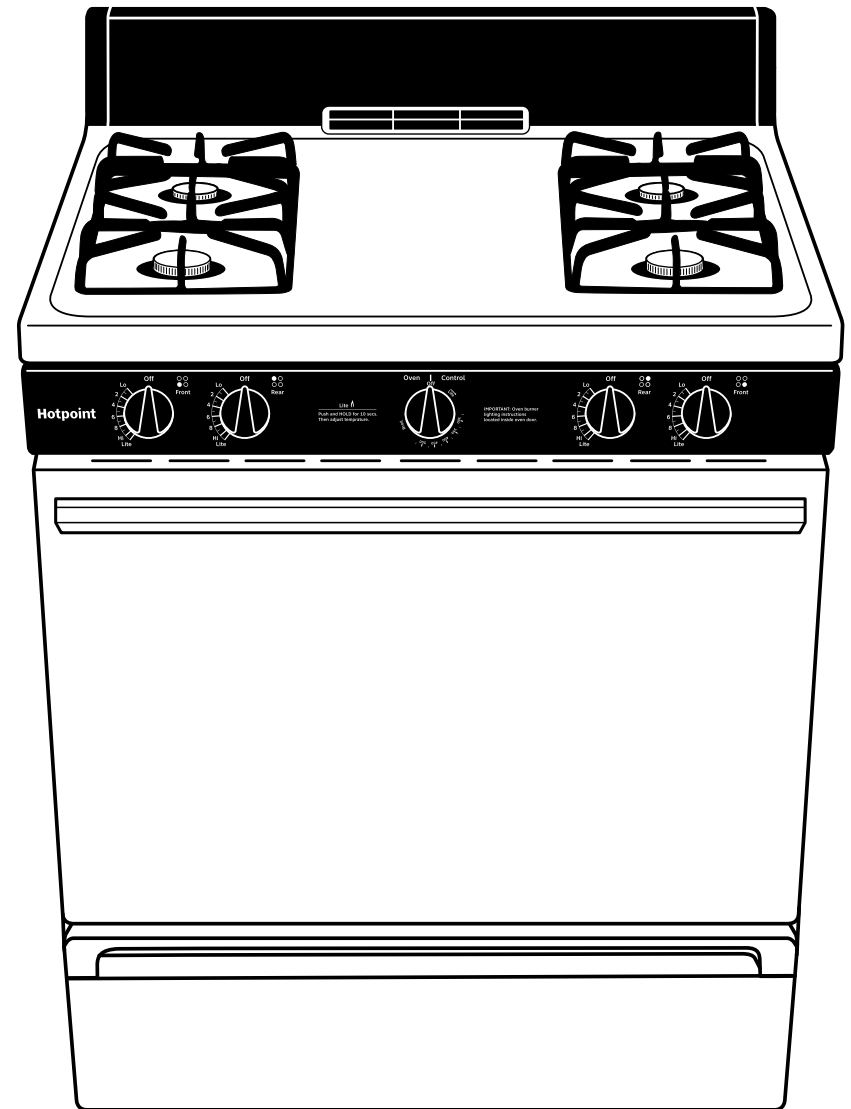
All GE ranges are equipped with an Anti-Tip device. The installation of this device is an important, required step in the installation of the range.

# RGB518PCH

## Hotpoint® 30" Free-Standing Gas Range

### Features and Benefits

- Standard Clean Oven - Smooth surface and rounded corners make clean-up quick and easy
- 4.8 cu. ft. Oven Capacity - Enough room to cook an entire meal at once
- All purpose burners - Deliver a wide range of heat output ideal for most cooking needs
- Cordless Battery Ignition - Battery-powered ignition safely and conveniently lights the pilot wirelessly
- Porcelain Upswept Cooktop - Raised edges contain spills, while the surface is easy to wipe clean
- Lift-Up Cooktop - Access messes under the cooktop for easy cleanability
- Easy Clean Subtop - Porcelain enameled subtop collects spills and messes for easy cleaning
- Standard Grates - Hold cookware securely over burners
- Two Oven Racks - Durable to securely hold any cookware
- Model RGB518PCHCT - Bisque on bisque
- Model RGB518PCHWH - White on white



imagination at work