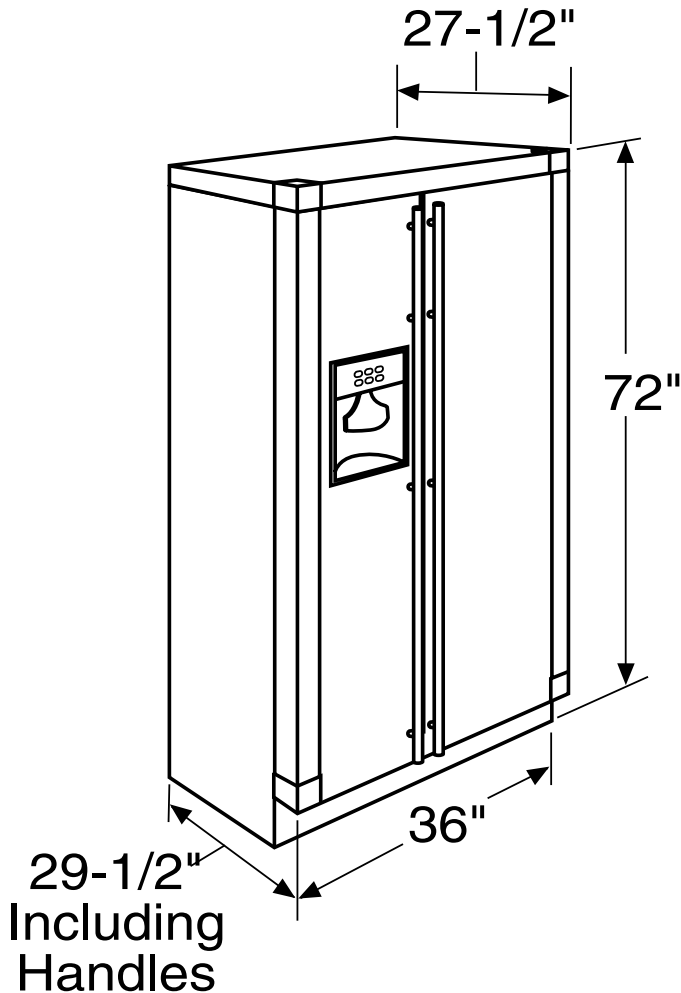


ZFSB23DXSS

GE Monogram® 23 Cu. Ft. Counter-Depth Free-Standing Side-by-Side Refrigerator with Dispenser

Dimensions and Specifications (in inches)



Installation Note:

Door and passageways into the installation location require a 36" minimum opening. If the opening is less than 36", the top cap and doors must be removed. See installation instructions for details.

Electrical

A 115V, 60Hz., 15 or 20 amp power supply is required. An individual properly grounded branch circuit or circuit breaker is recommended. Install a properly grounded 3-prong electrical receptacle recessed into the back wall.

Note: GFI (ground fault interrupter) is not recommended.

Water Line

The water line can enter the opening through the floor or back wall. Route 1/4" O.D. copper tubing or GE QuickConnect kit between the cold water line and the water connection location at the rear of the refrigerator. The installation of an easily accessible shut-off valve in the water line is required. Allow 19" minimum clearance on the fresh food side for a full 160° door swing and pan removal. Allow 14-1/4" clearance on the freezer side for removal of ice bin.

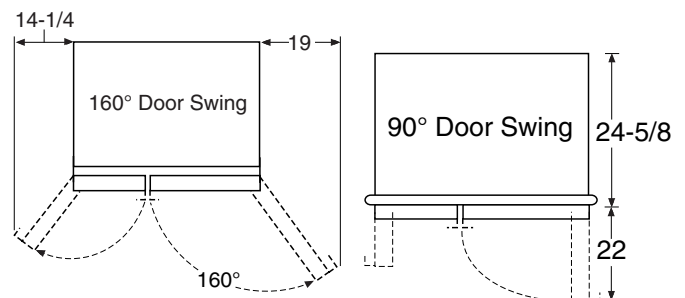
- 4" minimum clearance is required when the door swing is restricted to 90°.

Air Circulation Clearances

Allow 1/8" on each side and 1" at the top and back side for proper air circulation.

Door Swing Clearances

The installation must allow for clearances to adjacent walls or cabinets. These refrigerators are factory set for a 160° door swing.



For answers to your Monogram®, GE Profile™ or GE® appliance questions, visit our website at ge.com or call GE Answer Center® service, 800.626.2000.



imagination at work



Listed by
Underwriters
Laboratories

ZFSB23DXSS

GE Monogram® 23 Cu. Ft. Counter-Depth Free-Standing Side-by-Side Refrigerator with Dispenser

Features and Benefits

- Counter-Depth — Aligns nearly flush with surrounding cabinetry
- Integrated Design — Stainless steel-wrapped with signature Monogram handles matches with other Monogram integrated appliances
- Advanced Temperature Management System with Multi-Shelf Air Tower — Provides even distribution of air throughout the refrigerator
- Tri-Level Lighting - GE Reveal® and LED lighting illuminates the entire refrigerator
- Climate-Control Drawer — Express-chill beverages, express-thaw meats and select specific temperatures for perishable foods
- Full-Extension Freezer Baskets — Extends 12" beyond the cabinet, providing easy loading and unloading
- Tilt-Out Freezer Door Bins - Move forward for convenient access
- Integrated Ice™ System - Frees up valuable freezer space; It tilts down, providing easy access to bulk ice
- GE Water Filtration System - Delivers clean great-tasting water and ice through the dispenser
- Adjustable Slide-Out, Spillproof Glass Shelves - Raised edges help contain spills and slide-out shelves make clean up quick and easy
- In-the-Door Beverage Rack - Conveniently located inside the refrigerator door to increase flexibility and to free up valuable shelf space
- Model ZFSB23DXSS - Stainless steel



imagination at work



Listed by
Underwriters
Laboratories