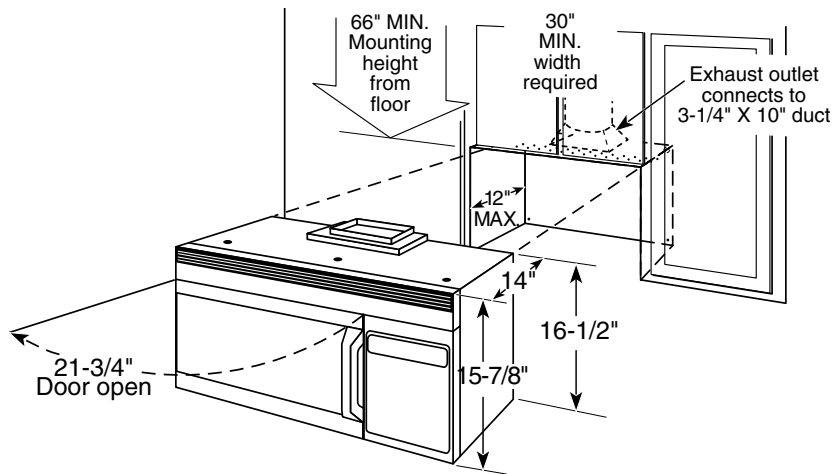


# HOTPOINT

## RVM1335BC—Hotpoint 1.3 Cu. Ft. Counter Saver Plus™ Microwave Oven

### Dimensions (in inches)

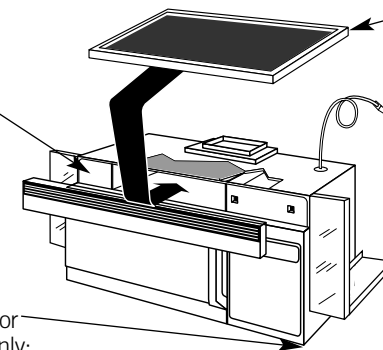


**Important Information:** When installing the Counter Saver Plus™ microwave oven over a range, allow minimum of 2" from bottom of Counter Saver Plus™ microwave oven to top of range backguard to allow for removal of light covers.

**Installation Information:** This information is not intended to be used for installing unit described. Before installing, consult installation instructions packed with product/kit for current dimensional data.

### Optional Accessories (Available at additional cost)

**12" Filler Panel Kits**  
**JX41—Black Filler Panel Kit**  
**JX40WH— White Filler Panel Kit**



When replacing a 36" or 42" range hood, this kit fills in the additional width to provide a custom, built-in appearance. For installation between cabinets only; not for end-of-cabinet installation. Each kit contains two, 3"-wide filler panels. Two kits are needed for a 42" opening.

**Ventilation Options:** The Counter Saver Plus™ microwave oven is designed for adaptation for the following three types of ventilation:

**Outside Exhaust** (Vertical—as shown above)

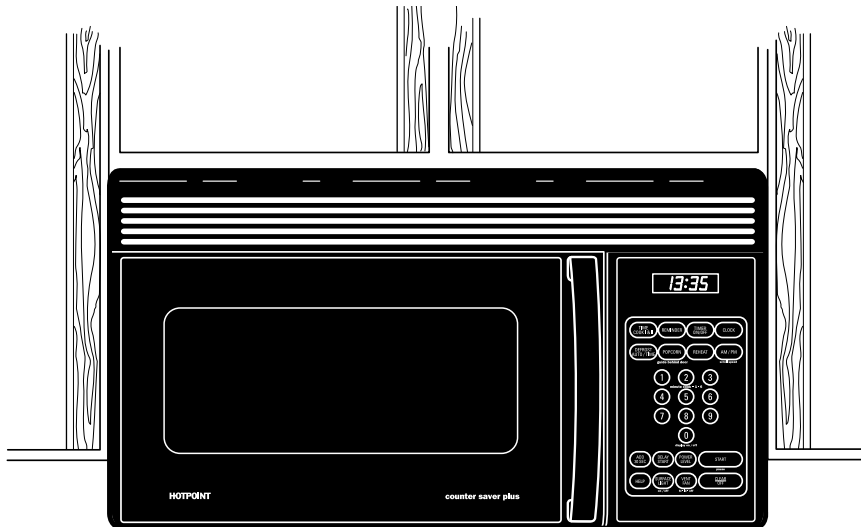
**Outside Exhaust** (Horizontal)

**Recirculating Exhaust** (Non-vented ductless—see Filter Kit Drawing)

**Note:** Before Installing, consult installation instructions for current dimensional data on these three types of ventilation

# HOTPOINT

## RVM1335BC—Hotpoint 1.3 Cu. Ft. Counter Saver Plus™ Microwave Oven



### Features and Benefits

- 1.3 cu. ft. Oven Cavity
- Powerful 900 Watts®
- Interactive Display System
- Electronic Scrolling Digital Display with Clock and AM/PM Pad
- Variable Scroll Speed
- Popcorn and Reheat Pads
- Time Cook I & II
- Auto Defrost / Time Defrost
- Express Cook with Instant On Controls
- Cooking Complete Reminder
- Delay Start / Reminder
- Concurrent Programming
- Display On/Off
- Timer On/Off
- Child Lock-Out
- 10 Power Levels
- Turntable
- Full-View Cooktop Lighting
- Two-Speed, High-Capacity Exhaust Fan
- Model RVM1335WC—White
- Model RVM1335BC—Black

© IEC-705 Test Procedure