



\$10

# GE APPLIANCES

*America's #1 Preferred Appliance Brand*



*GE is the appliance brand most often mentioned among the brands rated as offering the best products and services in America according to a recent Louis Harris Poll.*



**We bring good things to life.**





Your number one choice  
for home appliances.

It's no secret why, year after year, American  
consumers rate **GE** number one.

We're creating **innovative**,  
**high-quality** appliances that assure your

home provides what your **lifestyle**  
demands. That means appliances that

**perform** well, are built to last

and put **advanced** technology

at your fingertips. According to the most

recently published Louis Harris Poll,

GE is the appliance brand most often

mentioned among the brands rated

as offering the **best products** and

services in America. Thank you for making

GE number one, year after year.







*GE Profile™*

## Dramatic style and innovation to transform your lifestyle.

The kitchen is becoming the new family room, the most entertaining room in the house, and now it needs to do more than ever. Through a multitude of innovative features and impressive styling enhancements, GE Profile appliances will help transform your lifestyle into a world of convenience with a touch of warmth and inviting appeal. You'll find a Profile appliance to complement every design trend, from CustomStyle™ for the elegant built-in look, to seamless high-tech cooktops for expanded cooking flexibility. GE appliances help make every kitchen more beautiful and versatile.



4





GEAppliances.com



**Color makes every kitchen a room with a view.**

Whether it's a sleek black, delicate shade of bisque or a brilliant white, GE Profile appliances provide just the color to match or transform any kitchen. With today's kitchens opening up to the rest of the house, GE Profile appliances naturally blend with a variety of wood cabinetry and flooring, while looking radiant in natural light.



**Stainless appliances reflect well in any kitchen.**

The GE Profile stainless portfolio has been designed to blend the finest contemporary styling with the lasting quality that sophisticated homeowners expect. People who are serious about their kitchen, particularly when it comes to cooking and entertaining, will find these elegant stainless appliances to be the brilliant choice.





# GE Profile™ appliances are among the best you can buy.

The GE Profile Stainless Portfolio opens up a world of dramatic possibilities.





GE delivers award-winning technology and design options you need.

**GE Profile Arctica™ Refrigerators**  
**Grand Award Winner of the Popular Science 2001**  
**“Best of What’s New.”**

*Popular Science* reviewed thousands of new products and selected the Arctica refrigerator featuring CustomCool™ technology as the best new product in the category of Home Technology. This prestigious award confirms once and for all that Arctica is the Ultimate in Refrigeration.™

**GE Profile Spacemaker® Microwave Ovens**  
**The #1 preferred brand of over-the-range ovens.\***

Since its introduction in 1979, the GE Spacemaker microwave oven has been an indispensable part of the American kitchen. Today, Spacemaker ovens are bigger and better than ever before. With advanced features like Quick Defrost and convection capabilities, Spacemaker microwave ovens make ideal second ovens.

\*Stevenson Company

**GE Profile Dishwashers**  
**The highest performance dishwashers you can buy!**

Now there’s a highly fashionable, highly functional dishwasher for every kitchen. GE Profile dishwashers offer the utmost in contemporary elegance, along with the best combination of wash and sound performance, usable capacity, energy efficiency and water consumption.

**GE Profile Advantium™ Ovens**  
**The best performing over-the-range ovens you can buy.**

The Advantium oven has garnered seven national awards for its revolutionary Speedcook technology since its introduction in 1999. Among these is the 2001 American Building Products Award from *Home Magazine*.

**GE Profile Slide-In Ranges**  
**The maximum in cooking performance and versatility.**

Innovatively styled inside and out, GE Profile slide-in ranges offer the perfect balance of elegance, performance and versatility. With a sleek built-in look and convenient features, these ranges fit every kitchen décor and cooking style.



GE Profile washers and dryers offer the perfect combination of clothes care and convenience.



**GE Profile Washers and Dryers**

**Perfect care.**

Our Ultra HandWash cycle is America’s Gentlest Agitation.™ It simulates handwashing for less turnover and more tender clothing care. Plus, our PerfectTemp Plus temperature management system optimizes the soil- and stain-removal performance of detergents.

**Perfect timing.**

Our exclusive ExtrAction Tub™ removes up to 24% more moisture, resulting in shorter dry times and less clothing wear and tear. And our Speed Wash/Speed Dry system delivers ready-to-go results in just 30 minutes or less.\*

\*A soccer uniform, school uniform or golf outfit

**Perfectly simple.**

One-touch controls with LED digital readout provide accurate cycle times, from fill to finish. Simply make one cycle selection and press Start.





## Quality is an obsession at GE.

GE's quality experts put our products through rigorous testing before you put them in your home. All new GE Profile™ and GE® appliances have to prove they will perform their tasks over and over and over again.

Here are just a few examples:



### The Revolutionary Advantium™ Oven

GE's award-winning new oven allows families to prepare oven-quality food in an average of one-fourth the time it takes in a conventional oven. But can you count on the amazing "cooking with light" technology day after day? GE ran the product for 63,000 lamp hours without failure. For good measure, we hit the start button 300,000 times, turned the meal selection dial 110,000 times and slammed the door 100,000 times. Put another way, we simulated 10 years of use before offering the Advantium oven to consumers.



### GE Triton XL™ Dishwasher

As part of GE's largest dishwasher investment in over 20 years, GE reliability testing experts put GE Triton XL dishwashers through over 50,000 cycles to assure they meet stringent Six Sigma quality standards. The racks, squeeze latch and ActiveVent II system each underwent more than one million open-and-close tests to ensure years of reliable door operation from even the most active families.



### GE Profile Washer

Our GE Reliability Lab assures you of a dependable wash—load after load after load. Engineers put the washer through more than 7 million washer cycles to test its toughness. The result is GE's best washer, ever.







## Table of Contents

Product	Page	Specifications and Installation
<b>Refrigerators</b>		
Side-By-Side Refrigerators	10-25	164-169
Top-Freezer No-Frost Refrigerators	26-35	170-174
Cycle and Manual Defrost Refrigerators	36	175
Bottom-Freezer Refrigerators	37-38	176
wine Cooler and Compact Refrigerators	39	177
Freezers	40-41	178
Refrigeration Trim Kits		179
<b>Built-In Cooking Products</b>		
Advantium™ Ovens	42-49	180-181
Wall Ovens	50-64	182-190
Warming Drawers	65	191
Cooktops	66-77	192-199
Slide-In/Drop-In Ranges	78-85	200-206
<b>Free-Standing Cooking Products</b>		
Electric Ranges	86-99	206-209
40" Electric Ranges	99	209
Gas Ranges	100-107	210-212
Ventilation Options	108-111	213-216
<b>Microwave Ovens</b>		
Over-The-Range	112-119	217-218
Wall Ovens	115	219
Countertop	120-122	220-221
Countertop Microwave Oven Optional Trim Kits	123	222
<b>Dishwashers</b>		
Built-In Dishwashers	124-132	223-226
Convertible Dishwashers	133	227
Undersink and 18" Built-In Dishwashers	134	227-228
Dishwasher Accessories		229
Disposers and Compactors	135	230
<b>Clothes Care</b>		
Washers and Dryers	136-147	231-234
Front-Loading Washers and Dryers	148-149	236
Dryer Exhausting and Installation Information		235, 237
Spacemaker® Washers and Dryers	150-151	238-239
<b>Air Conditioning</b>		
Built-In "J" Series	152-155	241-242
Room Air Conditioners	156-157	240
Heat/Cool Series	158	242
Air Conditioning: Slide-Aire	158	243
Dehumidifiers	158	243
Warranty Information	160-163	
Nomenclatures	244-247	



### On the cover

#### **Cabinetry:**

Brookhaven® by  
Wood-Mode Fine Custom Cabinetry  
Kreamer, PA 17833  
800-635-7500  
www.wood-mode.com

Style: Colony  
Finish: Nordic White on maple

#### **Plumbing:**

KOHLER Co.  
Kohler, WI 53044  
800-4-KOHLER  
www.kohler.com  
Sink: K-3326L-3 PRO TaskCenter 60"  
Faucet: Avatar Kitchen Faucet K-6350-CP

#### **Counters:**

DuPont™ Surfaces  
Wilmington, DE 19880  
800-4-Corion (267426)  
www.corian.com  
Corian® Solid Surfaces by DuPont™ Surfaces  
Black Quartz (E)

#### **Lighting/Furniture:**

Design Within Reach  
San Francisco, CA 94111  
800-944-2233  
www.dwr.com  
Lighting: Conical Pendant Lamp,  
Medium (aluminum)  
Chairs: Giulietta Chair, Black





“The Ultimate in Refrigeration.”™

GE Profile Arctica™ refrigerators

bring a breath of fresh air to

your kitchen and your life. This new

line performs on demand with

innovative cooling capabilities.

It impresses with its sophisticated,

dramatic design. And it offers

tremendous flexibility through a

user-friendly storage system. What’s

behind this breakthrough?

GE has engineered new refrigerators

to offer exceptional temperature

management, convenience

and efficiency.

**CustomCool™ technology**

Exclusive CustomCool technology gives you the ability to chill and thaw much faster than ever before possible. It also lets you select just-right temperatures for a variety of fresh foods.



**ClimateKeeper™ system**

Exclusive ClimateKeeper system helps preserve refrigerator contents by providing consistent cooling.



**Contoured style**

Arctica's clean contours and lines are perfectly compatible with any kitchen setting.



**Optimal accessibility**

The interior is thoughtfully designed to offer exceptional convenience and flexibility.





GEAppliances.com

*GE Profile Arctica refrigerators offer exclusive cooling capabilities, dramatic styling and flexible features.*

Refrigeration

Cooking Products

Microwave Ovens

Dishwashers

Clothes Care

Air Conditioning





## GE Profile Arctica™ Side-By-Side Refrigerators

### Specialized settings let you customize cooling for a variety of foods.

GE Profile Arctica side-by-side refrigerators include a number of high-performance capabilities. Perhaps the most notable is our exclusive CustomCool™ technology. A fresh take on cooling, this bottom pan feature offers three settings for different lifestyle needs:

- ExpressChill™** setting chills foods and beverages in minutes, not hours.
- ExpressThaw™** setting thaws meats and other freezer items in hours, not days.
- SelectTemp™** setting allows you to select just-right temperatures for specific foods.

Using these specialized settings, you are able to avoid the last-minute rush and simply relax. Whether the occasion calls for impromptu hors d'oeuvres for 20 or filet mignon for two, CustomCool takes care of everything.



**It chills!**



**It thaws!**



**It preserves!**



*New high-gloss finish provides a look of sleek elegance with a smooth, reflective surface.*





**Easy access**

Slide 'n Store™ freezer baskets extend fully, putting frozen foods within convenient reach. A Slide 'n Store Plus basket is designed to hold taller items such as pizza boxes, and a fold-up divider keeps them securely in place.



**Storage flexibility**

The addition of one ClearLook™ door bin provides up to 23% more usable storage in the fresh food compartment than prior models. Durable and spacious, bins hold gallon-size containers with ease.



**Best Temperature Management System You Can Buy!**

Our exclusive ClimateKeeper™ system combines a number of components to provide exceptional temperature management:

- Upfront digital controls are precise and easy to use.
- More electronic sensors than our competitors' systems, and each is positioned for maximum effectiveness.
- Multiflow air system includes more vents than competitors' systems, and it uses exclusive fresh food and variable-speed freezer fans to keep temperatures consistent throughout the refrigerator.

Not all features available on all models.



**Tall dispenser**

The LightTouch! dispenser fills tall orders, accommodating everything from pitchers to blenders. The wide paddle dispenses water and ice at the slightest touch, and a Quick Ice™ feature produces up to 50% more ice than normal settings.



## GE Profile Arctica™ Side-By-Side Models featuring CustomCool™ technology

**These models include** • Contoured doors • ClimateKeeper™ system • TurboCool™ setting • Upfront electronic touch temperature controls • **Digital temperature display** • **CustomCool technology** • FrostGuard™ technology • Beverage rack • Premium quiet design • Integrated shelf support system • QuickSpace™ shelf • Two slide-out, spill-proof glass shelves • ClearLook™ adjustable door bins • Gallon door storage • **Slide 'n Store™ full-extension freezer basket** • **Slide 'n Store Plus freezer basket** • Tilt-out wire freezer door bins • Contoured Profile handles • **Tri-level lighting** • NeverClean™ condenser

**Dispenser models include** • SmartWater™ Plus filtration system • Quick Ice™ feature • Water filter indicator light • LightTouch! tall dispenser with child lock and door alarm **Note: bold = feature upgrade from previous model**

**ONLY GE HAS IT!**



CustomCool technology chills food and beverages in minutes not hours, thaws frozen food in hours not days and allows you to select just-right temperatures for fruits and vegetables.

**ONLY GE HAS IT!**



ClimateKeeper system combines a multifold air system, electronic sensors and electronic touch controls to keep temperatures consistent and help preserve refrigerator contents.

**ONLY GE HAS IT!**



Slide 'n Store Plus freezer basket provides convenient storage for taller items, like pizza boxes.



Refreshment center provides easy access to frequently used items.

14



*GE Profile™*

*Refreshment Center and Dispenser Models*

**PSS29NHN**

• 28.7 cu. ft. capacity

**PSS27NHN** (not shown)

• 26.8 cu. ft. capacity

**PSS27SHN Stainless steel** (not shown)

• 26.8 cu. ft. capacity • Black handles and black dispenser



*GE Profile*

*Dispenser Models*

**PSS29NGN** (not shown)

• 28.6 cu. ft. capacity

**PSS27NGN** (not shown)

• 26.6 cu. ft. capacity

**PSS27SGN Stainless steel** (not shown)

• 26.6 cu. ft. capacity • Black handles and black dispenser

**PSF26NGN High-gloss finish**

• 25.5 cu. ft. capacity

**PSS25NGN** (not shown)

• 25.3 cu. ft. capacity

**PSS25SGN Stainless steel** (not shown)

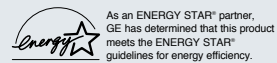
• 25.3 cu. ft. capacity • Black handles and black dispenser

*Non-Dispenser Model*

**PSS25NCN** (not shown)

• 25.2 cu. ft. capacity

Available July 2002



As an ENERGY STAR® partner, GE has determined that this product meets the ENERGY STAR® guidelines for energy efficiency.

(Models PSF26NGN, PSS25NGN, PSS25SGN and PSS25NCN; models PSF26NGN, PSS25NGN and PSS25SGN exceed ENERGY STAR standards by more than 5%)

Not all features available on all models. For additional features, specifications and color availability, refer to page 164.



## GE Profile Arctica Side-By-Side Models

**These models include** • Contoured doors • ClimateKeeper system • TurboCool setting • Upfront electronic touch temperature controls • FrostGuard technology • Beverage rack • SmartWater Plus filtration system • Quick Ice feature • Water filter indicator light • LightTouch! tall dispenser with child lock and door alarm • Premium quiet design • Integrated shelf support system • QuickSpace shelf • Two slide-out, spill-proof glass shelves • ClearLook adjustable door bins • Gallon door storage • Wire slide-out freezer baskets • Tilt-out wire freezer door bins • Contoured Profile handles • Dual-level lighting • NeverClean condenser

**Note: bold = feature upgrade from previous model**



Quick Ice feature provides up to 50% more ice than normal settings for parties and social gatherings.



Tall LightTouch! dispenser fills sport bottles, pitchers, even blenders! Delivers chilled filtered water, crushed or cubed ice.



Premium quiet design—GE's best noise reduction system.



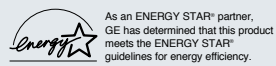
TurboCool™ setting helps the refrigerator quickly restore the temperature when groceries or heated foods are placed inside.

Not all features available on all models.



### GE Profile Dispenser Models

- PSS27MGN**
- 26.7 cu. ft. capacity
- PSS25MGN** (not shown)
- 25.4 cu. ft. capacity



As an ENERGY STAR® partner, GE has determined that this product meets the ENERGY STAR® guidelines for energy efficiency.

(Model PSS25MGN exceeds ENERGY STAR standards by more than 5%)

Not all features available on all models. For additional features, specifications and color availability, refer to page 164.

Side-By-Sides

Cooking Products

Microwave Ovens

Dishwashers

Clothes Care

Air Conditioning





## GE Profile Arctica CustomStyle™ Side-By-Side Refrigerators

### Installed Trim Side-By-Side Models

Designed for today's discriminating consumers.

CustomStyle refrigerators with installed trim accept stainless steel or acrylic panels in white, black or bisque, all of which can be ordered from GE. To achieve a custom look, you can order wood panels from your cabinetmaker. You'll discover all kinds of ways to enhance your kitchen.



#### **Optional Acrylic Panels**

Choose stainless steel panels or acrylic panels in white, bisque or black.



#### **Custom Wood Panels**

Make and install your own custom wood panels to accent cabinetry.

### Dispenser Models



**PSI23NGN**  
Shown with optional black acrylic panels. Available in white, bisque or black.



**PSI23NGN**  
Shown with custom wood panels. Available in white, bisque or black.



**PSI23MGN**  
Shown with optional white acrylic panels. Available in white, bisque or black.



**PSI23MGN**  
Shown with custom wood panels. Available in white, bisque or black.

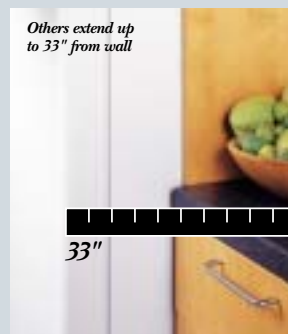
### Non-Dispenser Models



**PSI23NCN**  
Shown with optional white acrylic panels. Available in white, bisque or black. Available July 2002.

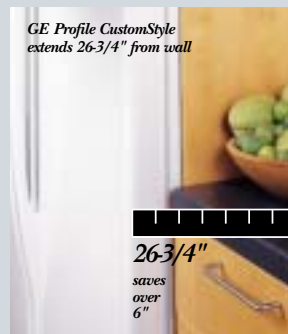


**PSI23NCN**  
Shown with custom wood panels. Available in white bisque, or black. Available July 2002.



Others extend up to 33" from wall

33"



GE Profile CustomStyle extends 26-3/4" from wall

26-3/4"  
saves over 6"

#### **Side-By-Side Refrigerators**

Because they install nearly flush with the cabinets, these refrigerators save floor space. They don't stick out into the kitchen!

#### **Optional collar trim: adding the final touch.**

The optional collar trim is just another way GE lets you integrate our CustomStyle refrigerators into your kitchen decor. Available in stainless steel, white, bisque and black, this trim frames the refrigerator facade, adding to the finished look of a built-in, custom kitchen.

Collar trim:  
TRMBISS, TRMBISWW,  
TRMBISCC, TRMBISBB.







### **Trimless Side-By-Side Models**

Installation made easy, simply slide in.

The trimless CustomStyle units install by simply sliding into—way into—the space between cabinets. CustomStyle refrigerators, because they align with counters, instantly look built-in, and there's nothing to attach or build. (Available in stainless steel, white, bisque and black.)

### Dispenser Models



**PSC23SHN**  
Stainless steel with contoured black handles.



**PSC23NHN**  
Available in white, bisque or black.



**PSC23SGN**  
Stainless steel with contoured black handles.



**PSC23NGN**  
Available in white, bisque or black.

### Dispenser Models



**PSI23SGN\***  
Stainless steel with full-length stainless handles.



**PSC23MGN**  
Available in white, bisque or black.



**PSI23SCN**  
Stainless steel with full-length stainless handles.

\*ENERGY STAR® model PSH23SGN also available.



## GE Profile Arctica CustomStyle™ Side-By-Side Models featuring CustomCool™ technology

**These models include** • ClimateKeeper™ system • TurboCool™ setting • Upfront electronic touch temperature controls • **Digital temperature display** • **CustomCool technology** • FrostGuard™ technology • Beverage rack • Premium quiet design • Integrated shelf support system • QuickSpace™ shelf • Two slide-out, spill-proof glass shelves • ClearLook™ adjustable door bins • Gallon door storage • **Slide'n Store™ full-extension freezer basket** • **Slide'n Store Plus freezer basket** • Tilt-out wire freezer door bins • **Tri-level lighting** • NeverClean™ condenser

**Dispenser models include** • SmartWater™ Plus filtration system • Quick Ice™ feature • Water filter indicator light • LightTouch! dispenser with child lock and door alarm

**Note: bold = feature upgrade from previous model**



**ONLY GE HAS IT!**

ClimateKeeper system combines a multifold air system, electronic sensors and electronic touch controls to keep temperatures consistent and help preserve refrigerator contents.



**ONLY GE HAS IT!**

The ExpressThaw™ setting in the exclusive CustomCool bin safely thaws meats and other freezer items in hours, not days!



Refreshment center provides easy access to frequently used items.



**ONLY GE HAS IT!**

Slide 'n Store Plus freezer basket provides convenient storage for taller items, like pizza boxes.



### GE Profile™ Trimless Refreshment Center Dispenser Models

**PSC23SHN Stainless steel**  
• 22.7 cu. ft. capacity • Trimless rounded doors, black contoured Profile handles and black dispenser

**PSC23NHN (not shown)**  
• 22.7 cu. ft. capacity • Trimless rounded doors and color-matched contoured Profile handles

### Trimless Dispenser Models

**PSC23NGN (not shown)**  
• 22.6 cu. ft. capacity • Trimless rounded doors and color-matched contoured Profile handles

**PSC23SGN Stainless steel (not shown)**  
• 22.6 cu. ft. capacity • Trimless rounded doors, black contoured Profile handles and black dispenser

Not all features available on all models.  
For additional features, specifications and color availability, refer to page 165.



TurboCool™ setting helps the refrigerator quickly restore the temperature when groceries or heated foods are placed inside.



Quick Ice feature provides up to 50% more ice than normal settings for parties and social gatherings.



SmartWater Plus filtration system provides clean, better-tasting water and ice through the LightTouch! dispenser. (1 year/500 gallons)



Premium quiet design—GE's best noise reduction system.



**PSI23NGNCC**  
Shown with optional bisque acrylic panels.



**PSI23NGNBB**  
Shown with custom wood panels.\*

**GE Profile**  
*Installed Trim Dispenser Model*

- PSI23NGN**  
• 22.6 cu. ft. capacity • Squared doors • Full-length color-matched handles

*Trimless Dispenser Models*

- PSI23SGN Stainless steel** (not shown)  
• 22.6 cu. ft. capacity • Squared doors, full-length handles with stainless steel appearance and black dispenser

- PSH23SGN Stainless steel** (not shown)  
• 22.6 cu. ft. capacity • Squared doors, full-length handles with stainless steel appearance and black dispenser

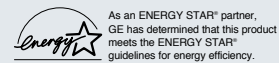
\*Wood panels not supplied by General Electric.  
Not all features available on all models.  
For additional features, specifications and color availability, refer to page 165.

*Installed Trim Non-Dispenser Model*

- PSI23NCN** (not shown)  
• 22.7 cu. ft. capacity • Squared doors  
• Full-length color-matched handles

*Trimless Non-Dispenser Model*

- PSI23SCN Stainless steel** (not shown)  
• 22.7 cu. ft. capacity • Squared doors, full-length handles with stainless steel appearance



(Model PSH23SGN)



## GE Profile Arctica CustomStyle™ Side-By-Side Models

**These models include** • ClimateKeeper™ system • TurboCool™ setting • Upfront electronic touch temperature controls • FrostGuard™ technology • Beverage rack • SmartWater™ Plus filtration system • Quick Ice™ feature • Water filter indicator light • LightTouch! dispenser with child lock and door alarm • Premium quiet design • Integrated shelf support system • QuickSpace™ shelf • Two slide-out, spill-proof glass shelves • ClearLook™ adjustable door bins • Gallon door storage • Wire slide-out freezer baskets • Tilt-out wire freezer door bins • Dual-level lighting • NeverClean™ condenser

Note bold = feature upgrade from previous model



ClimateKeeper system combines a multifold air system, electronic sensors and electronic touch controls to keep temperatures consistent and help preserve refrigerator contents.



TurboCool setting helps the refrigerator quickly restore the temperature when groceries or heated foods are placed inside.



Upfront electronic touch temperature controls are easy to see and set.



FrostGuard technology reduces freezer burn by monitoring door openings and usage, defrosting only as needed.

20



### *GE Profile Trimless Dispenser Model*

#### **PSC23MGN**

• 22.7 cu. ft. capacity • Trimless rounded doors and color-matched contoured Profile handles

Not all features available on all models.  
For additional features, specifications and color availability, refer to page 165.



Integrated shelf support system offers maximum storage flexibility with easy-to-remove shelves.



Quick Ice feature provides up to 50% more ice than normal settings for parties and social gatherings.



QuickSpace shelf slides back easily for tall items, maximizing storage space.



Tall LightTouch! dispenser fills sport bottles, pitchers, even blenders! Delivers chilled filtered water, crushed or cubed ice.



**PSI23MGNWW**  
Shown with optional white acrylic panels.



**PSI23MGNCC**  
Shown with custom wood panels.\*

**GE Profile**  
*Installed Trim Dispenser Model*  
**PSI23MGN**  
• 22.7 cu. ft. capacity • Squared doors, full-length color-matched handles

\*Wood panels not supplied by General Electric.  
Not all features available on all models.  
For additional features, specifications and color availability, refer to page 165.



## GE® Side-By-Side “L” Series Model: 25 cu. ft.

**These models include** • Upfront electronic touch temperature controls • FrostGuard™ technology • SmartWater™ Plus filtration system • LightTouch! tall dispenser with child lock **and door alarm** • Water filter indicator light • **Integrated shelf support system** • QuickSpace™ shelf • Two adjustable slide-out, spill-proof glass shelves • Snack pan • Adjustable humidity vegetable/fruit crisper • Adjustable temperature deli pan • **Three wire slide-out freezer baskets** • **Tilt-out wire freezer bin** • Deluxe quiet design • Dual-level lighting • NeverClean™ condenser

**Note: bold = feature upgrade from previous model**



Integrated shelf support system offers maximum storage flexibility with easy-to-remove shelves.



Upfront electronic touch temperature controls are easy to see and set.

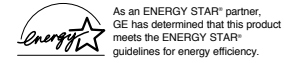


### GE Dispenser Model **GSS25LGM**

• 25.4 cu. ft. capacity

### **GSS25LSM** Stainless steel (not shown)

• 25.4 cu. ft. capacity • Black handles and black dispenser



As an ENERGY STAR® partner, GE has determined that this product meets the ENERGY STAR® guidelines for energy efficiency.

(Models GSS25LGM and GSS25LSM)

## GE Side-By-Side “S” Series Models: 25 to 22 cu. ft.

**These models include** • Upfront electronic temperature controls • FrostGuard technology • SmartWater Plus filtration system • LightTouch! tall dispenser with child lock • Water filter indicator light • QuickSpace shelf • Two adjustable slide-out, spill-proof glass shelves • Snack pan • Adjustable humidity vegetable/fruit crisper • Adjustable temperature deli pan • Adjustable gallon door storage • Four wire freezer shelves, three adjustable • One wire slide-out freezer basket • Deluxe quiet design • Dual-level lighting • NeverClean condenser • **Black handles and dispenser trim** **Note: bold = feature upgrade from previous model**



Convenient upfront electronic temperature controls are easy to see and set.



QuickSpace shelf slides back easily for tall items, maximizing storage space.



### GE Dispenser Models

**GSS25SGM** Stainless steel  
(not shown)

• 24.9 cu. ft. capacity

**GSS22SGM** Stainless steel

• 21.8 cu. ft. capacity

Not all features available on all models. For additional features, specifications and color availability, refer to page 168.



## GE Side-By-Side “K” Series Models: 25 to 22 cu. ft.

- These models include** • Upfront electronic temperature controls • FrostGuard technology • **SmartWater Plus filtration system** • LightTouch! tall dispenser **with child lock** • **Water filter indicator light** • **QuickSpace shelf** • Two adjustable **slide-out**, spill-proof glass shelves • **Snack pan** • **Adjustable humidity vegetable/fruit crisper** • Adjustable temperature deli pan • Adjustable gallon door storage • Four wire freezer shelves, three adjustable • **One wire slide-out freezer basket** • Deluxe quiet design • Dual-level lighting • NeverClean condenser
- Note: bold = feature upgrade from previous model**



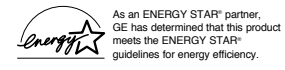
SmartWater Plus filtration system provides clean, better-tasting water and ice through the LightTouch! dispenser. (1 year/500 gallons)



QuickSpace shelf slides back, at the touch of a finger, to make storing tall or large items easy.



- GE Dispenser Models
- GSS25KGM** • 24.9 cu. ft. capacity
  - GSH25KGM** (not shown) • 24.9 cu. ft. capacity
  - GSS22KGM** (not shown) • 21.8 cu. ft. capacity
  - GSH22KGM** (not shown) • 21.8 cu. ft. capacity



(Models GSH22KGM and GSH25KGM)

Side-By-Sides

Cooking Products

Microwave Ovens

## GE Side-By-Side “J” Series Models: 25 to 22 cu. ft.

- These models include** • Upfront electronic temperature controls • FrostGuard technology • LightTouch! tall dispenser • **Three adjustable spill-proof glass shelves** • Sealed crisper • Adjustable temperature deli pan • Adjustable gallon door storage • Deluxe quiet design • **Dual-level lighting** • NeverClean condenser
- Note: bold = feature upgrade from previous model**



Spill-proof shelves help contain spills for ease of cleaning.



SmartWater filtration system provides clean, better-tasting water and ice through the LightTouch! dispenser. (6 months/300 gallons)



- GE Dispenser Models
- GSS25JFM** (not shown) • 24.9 cu. ft. capacity
  - SmartWater filtration system
  - GSS22JFM** • 21.8 cu. ft. capacity
  - SmartWater filtration system

- Non-Filtration Models
- GSS25JEM** (not shown) • 24.9 cu. ft. capacity
  - GSS22JEM** (not shown) • 21.8 cu. ft. capacity

Not all features available on all models. For additional features, specifications and color availability, refer to page 168.

Dishwashers

Clothes Care

Air Conditioning





## GE® Side-By-Side “I” Series Models: 22 to 20 cu. ft.

**These models include** • Upfront electronic temperature controls • FrostGuard™ technology • **Three adjustable glass shelves** • Sealed crisper • Gallon storage door bins • Deluxe quiet design • NeverClean™ condenser **Note: bold = feature upgrade from previous model**



Fresh food gallon door storage provides maximum storage flexibility.



Deluxe quiet design—quiet components and insulation allow for quiet operation.



GE  
Dispenser Model  
**GSS20IEM**  
• 19.9 cu. ft. capacity • **LightTouch!**  
**tall dispenser** • **Adjustable temperature deli pan**



GE  
Non-Dispenser Models  
**GSS22IBM**  
• 21.7 cu. ft. capacity • **Two adjustable fresh food door bins** • Sealed deli pan • Equipped for optional electronic icemaker  
**GSS20IBM** (not shown)  
• 19.8 cu. ft. capacity • Sealed deli pan  
• Equipped for optional electronic icemaker

Not all features available on all models.  
For additional features, specifications and color availability, refer to page 169.







GEAppliances.com

## GE Side-By-Side “D” Series Model: 20 cu. ft.

**This model includes** • Upfront electronic temperature controls • FrostGuard technology • Three wire fresh food shelves • Equipped for optional electronic icemaker • Sealed crisper • Sealed deli pan • Four fresh food door bins, two with gallon storage • Four wire freezer shelves, three adjustable • Deluxe quiet design • NeverClean condenser **Note: bold = feature upgrade from previous model**



Deluxe quiet design—quiet components and insulation allow for quiet operation.



Gallon door storage accommodates gallon containers for quick access to most-used items.



GE  
Non-Dispenser Model  
**GSS20DBM**  
• 19.8 cu. ft. capacity

Not all features available on all models.  
For additional features, specifications and color availability, refer to page 169.

Side-By-Sides

Cooking Products

Microwave Ovens

Dishwashers

Clothes Care

Air Conditioning





## GE Profile Arctica™ Top-Freezer Refrigerators

### Top Performance.

Elegant curvaceous design graces Arctica top-freezer refrigerators, which are distinguished by radius doors and rounded storage bins.

Arctica's performance is even more dramatic.

The innovative ClimateKeeper™ system adapts to levels of activity and location, keeping the temperature on an even keel.

Arctica top-freezers not only provide precise temperature management, but they also offer optimal ease and accessibility.

Adjustable storage bins put all contents within convenient reach, while the dual fresh food lighting system and freezer dome light let you fully satisfy your midnight cravings.



**ONLY GE HAS IT!**

### Rapid recovery

Exclusive ClimateKeeper system quickly recovers from such variables as frequent door openings and changes in external temperature.



**ONLY GE HAS IT!**

### Freezer innovation

Exclusive FrostGuard™ technology reduces freezer burn.



*Stunningly styled inside and out, the GE Profile Arctica top-freezer refrigerators give you a brand-new way to enhance your kitchen.*

26





## GE Profile Arctica Top-Freezer Models: 25 to 22 cu. ft.

**These models include** • Upfront electronic touch temperature controls • ClimateKeeper system • FrostGuard technology • Premium quiet design • ShelfSaver™ rack • Lift-off, slide-out, spill-proof glass shelves, four adjustable/split • Two adjustable humidity vegetable/fruit crispers • Adjustable temperature deli pan • Pivot-out pan removal system • One full-width, fixed tall bottle door bin • ClearLook™ adjustable gallon door bins • Equipped for optional electronic icemaker • Spill-proof freezer floor • Tilt-out locking freezer door bin • Dual-level lighting • NeverClean™ condenser

**Note: bold = feature upgrade from previous model**



Convenient upfront electronic touch temperature controls are extremely accurate, easy to see and easy to set.

**ONLY GE HAS IT!**



Pivot-out pan removal system makes cleaning crispers easier than ever.

**ONLY GE HAS IT!**



Locking tilt-out freezer bin conveniently tilts forward for easy access to items stored inside.




Seamless spill-proof freezer floor design makes freezer cleanup simple!

Not all features available on all models. For additional features, specifications and color availability, refer to page 170.



### GE Profile™ Non-Dispenser Models

- PTS25SBM Stainless steel** (not shown)
  - 24.6 cu. ft. capacity
- PTS22SBN Stainless steel** (not shown)
  - 21.7 cu. ft. capacity
- PTS25LBM** (not shown)
  - 24.6 cu. ft. capacity
- PTS22LBN**
  - 21.7 cu. ft. capacity

 As an ENERGY STAR® partner, GE has determined that this product meets the ENERGY STAR® guidelines for energy efficiency.  
(Models PTS22SBN and PTS22LBN)

Top-Freezers

Cooking Products

Microwave Ovens

Dishwashers

Clothes Care

Air Conditioning





## GE Profile CustomStyle™ Top-Freezer Refrigerators

### **Installed Trim Top-Freezer Models**

Designed for today's discriminating consumers.

CustomStyle refrigerators with installed trim accept stainless steel panels or acrylic panels in white or black, all of which can be ordered from GE. To achieve a custom look, you can order wood panels from your cabinetmaker.

You'll discover all kinds of ways to enhance your kitchen.



#### **Optional Acrylic Panels**

Choose stainless steel panels or acrylic panels in white or black.

#### **Custom Wood Panels**

Make and install your own custom wood panels to accent cabinetry.

### **Dispenser Models**



**PTI22SEFM**  
Shown with installed stainless steel panels.



**PTI22MFM**  
Shown with optional white acrylic panels. Available in white or black.



**PTI22MFM**  
Shown with optional stainless steel panels. Available in white or black.



**PTI22MFM**  
Shown with custom wood panels. Available in white or black.

### **Non-Dispenser Models**



**PTI22MBM**  
Shown with optional black acrylic panels. Available in white or black.



**PTI22MBM**  
Shown with optional stainless steel panels. Available in white or black.



**PTI22MBM**  
Shown with custom wood panels. Available in white or black.



#### **Top-Freezer Refrigerators**

Because they install nearly flush with the cabinets, these refrigerators save floor space. They don't stick out into the kitchen!

#### **Optional collar trim: adding the final touch.**

The optional collar trim is just another way GE lets you integrate our CustomStyle refrigerators into your kitchen decor. Available in stainless steel, white and black, this trim frames the refrigerator facade, adding to the finished look of a built-in, custom kitchen.

Collar trim:  
TRMBISS, TRMBISWW,  
TRMBISBB.





### Trimless Top-Freezer Models

Installation made easy, simply slide in.

The trimless CustomStyle units install by simply sliding into—way into—the space between cabinets. CustomStyle refrigerators, because they align with counters, instantly look built-in, and there's nothing to attach or build. (Available in stainless steel, white, bisque and black.)

### Dispenser Models



**PTC22SFM**  
Stainless steel.



**PTC22MFM**  
Available in white, bisque or black.

### Non-Dispenser Models



**PTC22SBM**  
Stainless steel.



**PTC22MBM**  
Available in white or black.

## GE Profile CustomStyle™ Top-Freezer Models: 22 cu. ft.

**These models include** • Upfront illuminated temperature controls • Beverage rack • QuickSpace™ shelf • Adjustable slide-out, spill-proof glass shelves • Two adjustable humidity vegetable/fruit crispers • Slide-out, spill-proof crisper cover • ClearLook™ gallon door bins • Adjustable temperature meat pan • Dairy compartment • Upfront fresh food lighting • Deluxe quiet design • NeverClean™ condenser

**Dispenser models include** • LightTouch! dispenser delivers cubes, crushed ice and chilled water • SmartWater™ filtration system

Note: bold = feature upgrade from previous model



SmartWater filtration system provides clean, better-tasting water and ice through the LightTouch! dispenser. (6 months/300 gallons)



QuickSpace shelf slides back to store tall items.



ClearLook adjustable door bins store gallon containers with ease.



### GE Profile™

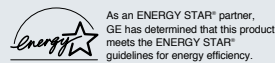
#### Trimless Dispenser Models

##### **PTC22SFM Stainless steel**

• 21.7 cu. ft. capacity • Trimless rounded doors, black contoured Profile handles and black dispenser

##### **PTC22MFM (not shown)**

• 21.7 cu. ft. capacity • Trimless rounded doors and contoured Profile handles



(Models PTC22SFM and PTC22MFM)

#### Trimless Non-Dispenser Models

##### **PTC22SBM Stainless steel (not shown)**

• 21.9 cu. ft. capacity • Trimless rounded doors, black contoured Profile handles • Equipped for optional electronic icemaker

##### **PTC22MBM (not shown)**

• 21.9 cu. ft. capacity • Trimless rounded doors and contoured Profile handles • Equipped for optional electronic icemaker

Not all features available on all models. For additional features, specifications and color availability, refer to page 171.



LightTouch! dispenser delivers cubes, crushed ice and chilled water.



Deluxe quiet design—quiet components and insulation allow for quiet operation.



Upfront illuminated temperature controls are easy to see and set.



**GE Profile**

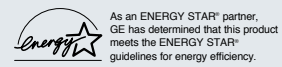
*Installed Trim Dispenser Models*

**PTI22SFM Stainless steel**

- 21.7 cu. ft. capacity • Factory-installed stainless steel panels, trim, full-length handles and black dispenser

**PTI22MFM (not shown)**

- 21.7 cu. ft. capacity



(Models PTI22SFM and PTI22MFM)

*Installed Trim Non-Dispenser Model*

**PTI22MBM (not shown)**

- 21.9 cu. ft. capacity • Equipped for optional electronic icemaker

Not all features available on all models. For additional features, specifications and color availability, refer to page 171.



## GE® Top-Freezer “K” Series Models: 22 to 18 cu. ft.

**These models include** • Upfront illuminated temperature controls • Dual-level lighting • **Four adjustable spill-proof glass shelves** • **Three modular gallon door bins** • One fixed tall bottle door bin • Snack pan • **Two adjustable humidity vegetable/fruit crispers** • Spill-proof freezer floor • **Tilt-out locking freezer door bin** • Deluxe quiet design • **Freezer dome light** • NeverClean™ condenser

Note: bold = feature upgrade from previous model



**ONLY GE HAS IT!**  
Pivot-out pan removal system makes cleaning crispers easier than ever (22 cu. ft. model only).



Seamless spill-proof freezer floor design makes freezer cleanup simple!



**ONLY GE HAS IT!**  
Locking tilt-out freezer bin conveniently tilts forward for easy access to items stored inside.




Modular gallon door bins store gallon containers with ease.

Not all features available on all models. For additional features, specifications and color availability, refer to page 173.

32



 As an ENERGY STAR® partner, GE has determined that this product meets the ENERGY STAR® guidelines for energy efficiency.

(Models GTH22SBN and GTH18KBM)

### GE Non-Icemaker Models

#### **GTS22KBM**

• 21.7 cu. ft. capacity • FrostGuard™ technology • Pivot-out pan removal system • Electronic temperature sensors • Equipped for optional electronic icemaker

#### **GTH22SBN Stainless steel** (not shown)

• 21.7 cu. ft. capacity • FrostGuard technology • Pivot-out pan removal system • Electronic temperature sensors • Equipped for optional electronic icemaker

#### **GTS18KBM** (not shown)

• 17.9 cu. ft. capacity • Equipped for optional electronic icemaker

#### **GTH18KBM** (not shown)

• 17.9 cu. ft. capacity • Equipped for optional electronic icemaker

### Icemaker Models

#### **GTS22KCM** (not shown)

• 21.7 cu. ft. capacity • FrostGuard technology • Pivot-out pan removal system • Electronic temperature sensors

#### **GTS18KCM** (not shown)

• 17.9 cu. ft. capacity





## GE Top-Freezer "I" Series Models: 22 to 18 cu. ft.

**These models include** • Upfront illuminated temperature controls • Dual-level lighting • Three glass shelves, two adjustable split and one full-width • Two vegetable/fruit crispers • **Snack pan** • **Two full-width encapsulated door bins, one with gallon storage** • **Spill-proof freezer floor** • Deluxe quiet design • NeverClean condenser **Note: bold = feature upgrade from previous model**



Gallon door storage accommodates gallon containers for quick access to most-used items.



Seamless spill-proof freezer floor design makes freezer cleanup simple!

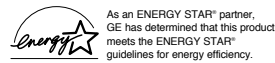


### GE Icemaker Models

- GTS22ICM** (not shown)
  - 21.8 cu. ft. capacity • FrostGuard™ technology • Pivot-out pan removal system • Electronic temperature sensors
- GTS18ICM**
  - 17.9 cu. ft. capacity

### Non-Icemaker Models

- GTS22IBM** (not shown)
  - 21.8 cu. ft. capacity • FrostGuard technology • Pivot-out pan removal system • Electronic temperature sensors
  - Equipped for optional electronic icemaker
- GTS18IBM** (not shown)
  - 17.9 cu. ft. capacity • Equipped for optional electronic icemaker
- GTH18IBM** (not shown)
  - 17.9 cu. ft. capacity • Equipped for optional electronic icemaker



(Model GTH18IBM)

Top-Freezers

Cooking Products

Microwave Ovens

## GE Top-Freezer "H" Series Model: 18 cu. ft.

**This model includes** • Upfront temperature control • **Three adjustable glass shelves**, two split and one full-width • Two vegetable/fruit crispers • **Snack pan** • **Two door shelves with gallon storage** • Deluxe quiet design • NeverClean condenser

**Note: bold = feature upgrade from previous model**



Gallon door storage accommodates gallon containers for quick access to most-used items.



Clear crispers provide easy storage for vegetables and fruits.



### GE Non-Icemaker Model

- GTS18HBM**
  - 17.6 cu. ft. capacity • Equipped for optional electronic icemaker

### Icemaker Model

- GTS18HCM** (not shown)
  - 17.6 cu. ft. capacity

Not all features available on all models. For additional features, specifications and color availability, refer to page 173.

Dishwashers

Clothes Care

Air Conditioning



## GE® Top-Freezer “F” Series Models: 22 to 18 cu. ft.

**These models include** • Three cabinet shelves, two wire, one glass • **Two clear vegetable/fruit crispers** • Snack pan • **Gallon door storage** • Deluxe quiet design • Equipped for optional electronic icemaker • NeverClean™ condenser **Note: bold = feature upgrade from previous model**



Upfront illuminated temperature controls are easy to see and set.



Snack pan conveniently stores rewrapped meats, cheeses and snacks.



### GE Non-Icemaker Models

#### **GTS22FBM**

- 21.8 cu. ft. capacity • FrostGuard™ technology
- Upfront illuminated temperature controls
- Three door shelves, two with gallon storage
- Spill-proof freezer floor • Pivot-out pan removal system • Electronic temperature sensors

#### **GTS18FBM** (not shown)

- 17.6 cu. ft. capacity • Two door shelves with gallon storage

## GE Top-Freezer “E” Series Model: 18 cu. ft.

**This model includes** • Three cabinet shelves, one full-width wire, one split wire and one split glass • Two vegetable/fruit crispers • **Snack pan** • Two door shelves with tall bottle storage • Utility bin • Deluxe quiet design • Equipped for optional electronic icemaker • NeverClean condenser **Note: bold = feature upgrade from previous model**



Deluxe quiet design—quiet components and insulation allow for quiet operation.



NeverClean condenser coils are rolled up and encased, so they never require cleaning in normal operating environments.



### GE Non-Icemaker Model

#### **GTS18EBM**

- 17.6 cu. ft. capacity

Not all features available on all models. For additional features, specifications and color availability, refer to page 173.




## GE Top-Freezer “B” Series Models: 18 to 15 cu. ft.

**These models include** • Upfront temperature controls • Two vegetable/fruit crispers • Two fixed door shelves with tall bottle storage • Two adjustable wire full-width shelves • Two fixed freezer door shelves • Deluxe quiet design • NeverClean condenser

Note: bold = feature upgrade from previous model



 As an ENERGY STAR® partner, GE has determined that this product meets the ENERGY STAR® guidelines for energy efficiency.  
(Model GTH15BBM)

- GE Non-Icemaker Models
- GTR18BBM**
    - 17.6 cu. ft. capacity • Recessed handles
    - Equipped for optional electronic icemaker
  - GTS17BBM** (not shown)
    - 16.9 cu. ft. capacity • Equipped for optional electronic icemaker
  - GTR17BBM** (not shown)
    - 16.9 cu. ft. capacity • Recessed handles
    - Equipped for optional electronic icemaker
  - GTS15BBM** (not shown)
    - 14.6 cu. ft. capacity • Equipped for optional electronic icemaker
  - GTH15BBM** (not shown)
    - 14.6 cu. ft. capacity • Equipped for optional electronic icemaker
  - GTR15BBM** (not shown)
    - 14.6 cu. ft. capacity • Recessed handles
    - Equipped for optional electronic icemaker

- Icemaker Models
- GTS17BCM** (not shown)
    - 16.9 cu. ft. capacity
  - GTS15BCM** (not shown)
    - 14.6 cu. ft. capacity

Top-Freezers

Cooking Products

Microwave Ovens


## GE Top-Freezer “A” Series Models: 18 to 10 cu. ft.

**These models include** • Upfront temperature controls • Two wire full-width shelves • One full-width vegetable/fruit crisper • Deluxe quiet design

Note: bold = feature upgrade from previous model



- GE Non-Icemaker Models
- GTS18ABM**
    - 17.6 cu. ft. capacity • Two fixed door shelves with tall bottle storage • Equipped for optional electronic icemaker
    - NeverClean condenser
  - GTS10AAM** (not shown)
    - 10.3 cu. ft. capacity • One wire full-width freezer shelf

 As an ENERGY STAR® partner, GE has determined that this product meets the ENERGY STAR® guidelines for energy efficiency.  
(Model GTS10AAM)

Not all features available on all models. For additional features, specifications and color availability, refer to page 174.

Dishwashers

Clothes Care

Air Conditioning





## GE® Top-Freezer Cycle and Manual Defrost Refrigerators

**These models include** • Two adjustable wire cabinet shelves • Tall bottle storage

Note: bold = feature upgrade from previous model



Wire shelves minimize shuffling and restacking of food.



GE  
Cycle Defrost Model

**GFR12AAM**

- 11.7 cu. ft. capacity • Three door shelves
- Two clear vegetable/fruit crispers



Full-width crisper provides easy access to fruits and vegetables.



GE  
Manual Defrost Model

**GMS10AAM**

- 9.6 cu. ft. capacity • Five door shelves (two egg)
- Full-width vegetable/fruit crisper

Not all features available on all models.  
For additional features, specifications and color availability, refer to page 175.

36





## GE Profile™ Bottom-Freezer Models: 21 to 18 cu. ft.

**These models include** • ShelfSaver™ rack • Adjustable humidity vegetable/fruit crispers • Snack pan • Modular gallon door bins  
• Deluxe quiet design • Equipped for optional automatic icemaker **Note: bold = feature upgrade from previous model**



Spill-proof shelves help contain spills for ease of cleaning.



ShelfSaver rack provides space for odd shapes and sizes.



Brita filtered water door module holds nearly two gallons of water (18 cu. ft. models only).



Slide 'n Store freezer drawer provides easy access to frozen foods.



### GE Profile

#### Bottom-Freezer Drawer Model

##### **PDS21SBM Stainless steel**

- **20.5 cu. ft. capacity** • Four adjustable split, spill-proof glass shelves (**three slide-out**)
- **Two full-width, Slide 'n Store™ freezer baskets** • Full-length extruded handles



### GE Profile

#### Bottom-Freezer Drawer Models

##### **PDS18LBM**

- 18.1 cu. ft. capacity • Brita® filtered water door module • Four adjustable split, spill-proof glass shelves (two slide-out)
- One full-width, two split Slide 'n Store freezer baskets • Full grip, side-mounted color-matched handle

##### **PDS18SBM Stainless steel (not shown)**

- 18.1 cu. ft. capacity • Brita filtered water door module • Four adjustable split, spill-proof glass shelves (two slide-out)
- One full-width, two split Slide 'n Store freezer baskets • Stainless steel tubular door handles (must choose left or right hand door opening)

Not all features available on all models. For additional features, specifications and color availability, refer to page 176.

Bottom-Freezers

Cooking Products

Microwave Ovens

Dishwashers

Clothes Care

Air Conditioning



## GE® Bottom-Freezer Models: 22 to 18 cu. ft.

**These models include** • Adjustable humidity vegetable/fruit crispers • Snack pan • Modular gallon door bins • Full-width sliding freezer basket • Deluxe quiet design • Equipped for optional automatic icemaker **Note: bold = feature upgrade from previous model**



Modular fresh food gallon door storage provides maximum storage flexibility.



Spill-proof shelves help contain spills for ease of cleaning.



ShelfSaver rack provides space for odd shapes and sizes.



GE  
Bottom-Freezer Door Model  
**GBS22LBM**  
• 21.7 cu. ft. capacity • ShelfSaver™ rack  
• Four adjustable split, spill-proof glass shelves (**three slide-out**) • One full-width freezer shelf • **Two full-width freezer door shelves** • Freezer door can storage  
• Full-length extruded handles



GE  
Bottom-Freezer Door Model  
**GBS18KBM**  
• 18.1 cu. ft. capacity • Four adjustable split, spill-proof glass shelves • Two split freezer shelves • Full grip, side-mounted color-matched handles

Not all features available on all models.  
For additional features, specifications and color availability, refer to page 176.



## GE Wine Cooler: 3.0 cu. ft.



GE  
Wine Cooler  
**GWR03AAM**  
 • 2.4 cu. ft. capacity • Four removable shelves (holds 24 bottles) • Clear glass door • Exterior temperature control knob

Compacts

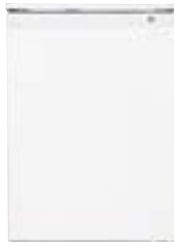
Cooking Products

## GE Spacemaker™ Compact Refrigerators: 6.0 to 1.7 cu. ft.

Note: bold = feature upgrade from previous model



GE  
Compact Model  
**GMR06AAM**  
 • **6.0 cu. ft. capacity** • Two adjustable cabinet shelves • Three full-width door shelves • Interior light • Optional black panel and door handle available with TK6 trim kit



GE  
Compact Model  
**GMR04BAN** (not shown)  
 • **4.3 cu. ft. capacity** • Two and one half wire cabinet shelves • **One full-width, two half-width door shelves** • **Can rack**  
**GMR02BAN**  
 • 1.7 cu. ft. capacity • One slide-out wire cabinet shelf • One full-width, one half-width door shelves

Microwave Ovens

Dishwashers

Clothes Care

Air Conditioning

Not all features available on all models. For additional features, specifications and color availability, refer to page 177.



## GE® Chest Freezers

### These models include

- Adjustable temperature control
- Upfront defrost water drain

Note: **bold** = feature upgrade from previous model



Lift-out and sliding wire baskets simplify loading and unloading.



Interior light brightens for easy access.



- GE Chest Freezer Models
- FCM25RM** (not shown)
- **25.1 cu. ft. capacity** • **Four lift-out and sliding bulk storage baskets** • Interior light • Built-in lock
  - Limited food loss warranty\*
- FCM20DM**
- **19.7 cu. ft. capacity** • **Three lift-out and sliding bulk storage baskets** • Interior light • Built-in lock
  - Limited food loss warranty\*
- FCM15DM** (not shown)
- **14.8 cu. ft. capacity** • **Two lift-out and sliding bulk storage baskets** • Interior light • Built-in lock
  - Limited food loss warranty\*



- GE Chest Freezer Model
- FCM15SM**
- **14.8 cu. ft. capacity** • One lift-out and sliding bulk storage basket • Limited food loss warranty\*



- GE Chest Freezer Models
- FCM9DM**
- **8.8 cu. ft. capacity** • Two lift-out and sliding bulk storage baskets • Interior light
  - Built-in lock • Limited food loss warranty\*
- FCM7DN** (not shown)
- **7.0 cu. ft. capacity** • **Two lift-out and sliding bulk storage baskets** • Power "ON" light • Built-in lock • Limited food loss warranty\*



- GE Chest Freezer Models
- FCM5DM**
- **5.0 cu. ft. capacity** • Two lift-out and sliding bulk storage baskets • Power "ON" light • Built-in lock
- FCM5SM** (not shown)
- **5.0 cu. ft. capacity** • One lift-out and sliding bulk storage basket

\*See written warranty for complete details.

Not all features available on all models. For additional features, specifications and color availability, refer to page 178.





## Upright Freezers

**These models include** • Adjustable temperature control • Limited food loss warranty\*

Note: bold = feature upgrade from previous model



Refrigerated cabinet shelves keep items extra cool.



Slide-out bulk storage basket for maximum freezer capacity.



Safety lock provides security.



### GE Deluxe Upright Frost-Free Models

#### FUF20DM

- **20.3 cu. ft. capacity** • One slide-out bulk storage basket • **Five cabinet shelves, three adjustable**
- **Six door shelves** • Built-in lock • Interior light

#### FUF17DM (not shown)

- **16.7 cu. ft. capacity** • One slide-out bulk storage basket • **Four cabinet shelves, three adjustable**
- Five door shelves • Built-in lock • Interior light

#### FUF14DM (not shown)

- **13.7 cu. ft. capacity** • One slide-out bulk storage basket • **Three cabinet shelves, two adjustable**
- Five door shelves • Built-in lock • Interior light



### GE Deluxe Upright Manual Defrost Models

#### FUM21DM (not shown)

- **20.6 cu. ft. capacity** • One slide-out bulk storage basket
- **Five cabinet shelves, one adjustable** • **Six door shelves**
- Built-in lock • Interior light • Defrost water drain

#### FUM17DM

- **17.1 cu. ft. capacity** • One slide-out bulk storage basket
- Four cabinet shelves, one adjustable • Five door shelves
- Built-in lock • Interior light • Defrost water drain

#### FUM14DM (not shown)

- **14.1 cu. ft. capacity** • One slide-out bulk storage basket
- **Four cabinet shelves, one adjustable** • Five door shelves
- Built-in lock • Interior light • Defrost water drain



### GE Standard Upright Manual Defrost Models

#### FUM14SM

- **14.1 cu. ft. capacity** • **Three cabinet shelves**
- **Five door shelves** • **Defrost water drain**

#### FUM5SM (not shown)

- **5.0 cu. ft. capacity** • **Two cabinet shelves**
- **Three door shelves**

\*See written warranty for complete details.

Not all features available on all models. For additional features, specifications and color availability, refer to page 178.

Freezers

Cooking Products

Microwave Ovens

Dishwashers

Clothes Care

Air Conditioning





Technology for discriminating tastes and demanding schedules.



At today's busy speed of life, putting healthy, home-cooked meals on the table can be a real challenge. The solution is Advantium™ Speedcook technology, a revolutionary cooking process that uses light to deliver fast, flavorful results. This award-winning light technology is available in the Advantium oven and the Advantium 120 oven. Both offer a change of cooking pace, bringing tremendous convenience to your kitchen.

**Speed performance**  
Imagine the luxury of preparing a salmon steak in less time than it takes to set the table. Or the convenience of baking potatoes in four minutes with the press of a button. This is the extraordinary capability of Advantium Speedcook technology.



**Oven-quality performance**  
Advantium ovens cook amazingly fast, with great-tasting results. Foods not only cook faster with light, but they also retain their natural juices, moisture and flavor.



**Versatility**  
Advantium ovens let you prepare meals you never dreamed of cooking during the week. These ovens bake, broil, brown, roast and grill, with no preheating. And for added time savings, they convert to microwave ovens.



**Installation flexibility**  
The Advantium wall oven can be installed by itself, over a traditional wall oven or over a warming drawer. The Advantium above-the-cooktop ovens can be conveniently located over a counter, range or cooktop.





Refrigeration

Advantium™ Ovens

Microwave Ovens

Dishwashers

Clothes Care

Air Conditioning





## GE Profile Advantium™ Ovens

### Great-tasting food up to eight times faster!\*

Providing the technology you need when time is of the essence, the Advantium oven proves that faster is better.

The Advantium oven harnesses the energy of light to deliver great-tasting food in mere minutes.

Its revolutionary Speedcook technology bakes, broils, browns, roasts and even grills food, with no preheating!

Serve mouth-watering filet mignon in 6 minutes,  
Oriental glazed salmon in 5 minutes  
or spinach quiche in 13 minutes.

The possibilities are almost endless!

\*Compared to a conventional oven.

Favorite foods cook in minutes.  
Compare the Advantium oven to a conventional oven.

Food	Advantium Oven	Conventional Oven
Whole Chicken	20 minutes	119 minutes
Breaded Seafood Filets	3-1/2 minutes	38 minutes
Crescent Rolls	4-1/2 minutes	18 minutes
Chocolate Chip Cookies	4 minutes	16 minutes
Baked Potatoes	4 minutes	83 minutes
Pepperoni Pizza	5-1/2 minutes	23-1/2 minutes





GEAppliances.com



Speedcook technology harnesses the power of light to cook foods up to eight times faster than a conventional oven. And there's no preheating required.



The Advantium oven delivers great-tasting food, fast. Rolls are browned to golden perfection in 4-1/2 minutes. And filet mignon is moist and flavorful within 6 minutes.



The revolutionary Advantium oven comes preprogrammed with more than 100 of your favorite dishes. With the easy-to-use controls, just select your dish, press start and get ready to eat.



Cooking at home costs less—less than restaurant food, less than gourmet carryout. And with no preheating and shorter cook times, the Advantium oven saves time.

Not all features available on all models.

Refrigeration

Advantium™ Ovens

Microwave Ovens

Dishwashers

Clothes Care

Air Conditioning





## GE Profile Advantium™ Wall Ovens

**These models include** • More than 100 preprogrammed menu items • 200-dish cookbook • Cooking conversion guide with tips  
• Microwave with sensor • Four cooking trays: three for speedcooking, one for microwave mode • Family-size, easy-to-clean stainless steel interior • Complete cooking reminder • Child lockout • Custom recipe saver



*GE Profile™*  
*Wall Oven*  
**SCB2001CSS** Stainless steel



*GE Profile™*  
*Wall Oven*  
**SCB2000CCC** Bisque on bisque  
**SCB2000CWW** White on white (not shown)  
**SCB2000CBB** Black on black (not shown)

Not all features available on all models.  
For additional features, specifications and  
color availability, refer to page 181.





GEAppliances.com

## GE Profile Advantium™ Above-the-Cooktop Ovens

- These models include** • More than 100 preprogrammed menu items • 200-dish cookbook • Cooking conversion guide with tips
- Microwave mode • Four cooking trays: three for speedcooking, one for microwave mode • Family-size, easy-to-clean stainless steel interior
  - Complete cooking reminder • Child lockout • Custom recipe saver • Full-view cooktop lighting



*GE Profile™*  
Above-the-Cooktop Oven  
**SCA2001BSS** Stainless steel



*GE Profile™*  
Above-the-Cooktop Oven  
**SCA2000BBB** Black on black  
**SCA2000BWW** White on white (not shown)  
**SCA2000BCC** Bisque on bisque (not shown)

Refrigeration

Advantium™ Ovens

Microwave Ovens

Dishwashers

Clothes Care

Air Conditioning

Not all features available on all models.  
For additional features, specifications and  
color availability, refer to page 180.





## The GE Profile Advantium™ 120 Oven

### Great-tasting food up to four times faster!\*

Unlike conventional ovens that take their own sweet time, the Advantium 120 cooks with light to deliver great-tasting meals in minutes. Combining speed and versatility, the Advantium 120 oven helps you rediscover the joy of cooking!

This well-rounded oven offers revolutionary Speedcook technology, along with traditional oven, microwave and warming capabilities. It cooks up everything from pizza to peach cobbler—fast!

\*Compared to a conventional oven.

Favorite foods cook in minutes.  
Compare the Advantium 120 oven to a conventional oven.

Food	Advantium 120 Oven	Conventional Oven
Whole Chicken	40 minutes	119 minutes
Breaded Seafood Filets	13 minutes	38 minutes
Crescent Rolls	10 minutes	18 minutes
Chocolate Chip Cookies	10 minutes	16 minutes
Baked Potatoes	11 minutes	83 minutes
Pepperoni Pizza	13 minutes	23-1/2 minutes



48



The flexible, above-the-cooktop configuration makes the most of your kitchen space and installs with ease. Just mount it over a counter, range or cooktop and plug it into any standard 120-volt power outlet.



The Advantium 120 oven offers a full range of cooking modes including Speedcook, traditional oven, microwave and warming.







GEAppliances.com

## GE Profile Advantium™ 120 Above-the-Cooktop Ovens

**These models include** • Four cooking modes: Speedcook, traditional oven, microwave and warming • More than 100 preprogrammed menu items • 200-dish cookbook • Cooking conversion guide with tips • Sophisticated contoured design • Family-size, easy-to-clean stainless steel interior • Custom recipe saver • Complete cooking reminder • Child lockout • Full-view halogen cooktop lighting



*GE Profile™*  
*Above-the-Cooktop Oven*  
**SCA1001FSS** Stainless steel  
Available April 2002

Refrigeration

Advantium™ Ovens

Microwave Ovens



*GE Profile™*  
*Above-the-Cooktop Oven*  
**SCA1000DWW** White on white  
**SCA1000DBB** Black on Black (not shown)  
**SCA1000DCC** Bisque on bisque (not shown)

Dishwashers

Clothes Care

Air Conditioning

Not all features available on all models.  
For additional features, specifications and  
color availability, refer to page 180.





GE provides cooking inspiration through innovation.

GE helps you make the most of your meals, bringing innovation to

every aspect of your cooking needs.

Our cooking products cater to your

flexibility requirements with a

wide range of heat settings and smooth,

easy-to-clean surfaces. They also

make a high-performance contribution

with advanced cooking capabilities

and an array of convenience

functions. And when it comes to style,

GE offers a variety of attractive

options. Whether you choose black

or stainless, built-in or slide-in,

you're sure to find the perfect

complement to your decor.

#### Gas cooktops

Our gas cooktops boast 15,000 BTUs of cooking power, delivering incredible cooking flexibility with an 11,000-BTU, a 9,100-BTU, and a 6,000-BTU burner for simmering.



#### Electric cooktops

Our electric cooktop line gives you a vast array of versatile options. Expandable heating elements, electronic controls and a warming zone are just a few of the many conveniences.



#### Built-in wall ovens

Built-in wall ovens make a dramatic design statement. Installed in a wall, under a counter or in a cabinet, these ovens integrate beautifully into any kitchen.



#### Warming drawers

GE's essential warming drawer helps you keep just-cooked foods warm while you're waiting for guests or preparing other dishes.



Not all features available on all models.





Refrigeration

Built-In Cooking

Microwave Ovens

Dishwashers

Clothes Care

Air Conditioning





## GE Built-In Single and Double Wall Ovens

**GE Profile™ wall ovens perform beautifully in any kitchen.**

GE Profile wall ovens give you everything you need to get cooking. The largest\* oven capacity in America and seven rack positions give you the flexibility to cook more food at once. Perfect for holidays and dinner parties! Among the many convenient features is the proof setting, which allows dough to rise more quickly and efficiently.

GE Profile wall ovens also offer true European convection cooking by means of a third dual loop heating element located on the back wall. The result is uniform heating throughout the oven interior for superior cooking results.





### The versatile design works with every cooking style, every kitchen.

Versatility extends to installation, as well. GE wall ovens go wherever they're needed: in a wall, cabinet or under a counter. These wall ovens fit into common cutouts, making it easy to upgrade or replace an older GE wall oven. And the flush installation appearance makes the most of your kitchen space.



\*Among leading manufacturers' brands, except models JTP56 and JTP18.

Not all features available on all models.





## GE Profile™ Wall Ovens

The largest\* capacity wall ovens in America



### Largest capacity

GE wall ovens now feature the largest\* capacity wall ovens in America. Great for holiday meals and dinner parties, you have greater flexibility to cook more food at once!



### Seven rack positions

Seven rack positions let you take full advantage of more oven capacity. With the ability to cook more foods at the same time, coordinating meals is even easier.

Convection capability gives you more ways to cook great food!



### Convection capability

GE Profile wall ovens provide excellent True European convection heat capability. Roasts are beautifully browned, yet tender and juicy inside. Cookies are baked to golden perfection. And meats are broiled to your liking.



### True European convection

All models deliver "True European convection" cooking by means of a third dual-loop heating element located in the back wall. A fan evenly circulates air throughout the oven cavity. This process delivers uniform, savory results. Convection cooking also saves time and allows you to cook at lower temperatures.

\*Among leading manufacturers' brands, except JTP56 and JTP18.

Not all features available on all models.



The maximum in cooking performance and versatility.



**Heavy-duty racks**

The durable construction of the heavy-duty racks provides additional support for large cooking needs, such as that Thanksgiving turkey!



**Eight-pass/Six-pass bake element**

With eight or six turns of the powerful heating element, heat is distributed more evenly providing complete coverage throughout the oven cavity.



**Upfront halogen lighting**

No more opening the oven to check on your food. With a powerful halogen light, strategically placed in the front of the oven, viewing your cooking is clear and easy.



**Proofing option**

The ideal feature for proofing dough. A dedicated low-temperature setting provides the ideal environment needed when baking breads and other baked goods.



## Built-In Double Ovens: 30" Electric

### These models include

- The largest\* capacity wall oven in America!
- Flush appearance installation
- Fits most 30" cabinets
- TrueTemp™ system
- SmartSet electronic controls
- Certified Sabbath mode
- Control lock capability
- Exclusive Big ClearView™ windows
- Variable broil

Note: bold = feature upgrade from previous model



True European convection ovens provide even cooking and superior baking results.



Cook more at once! Take advantage of more oven capacity with the versatility of seven rack positions.



The ideal environment for proofing dough. Simply set for proof and dough will rise to perfection.

\*Among leading manufacturers' brands except models JTP56 and JTP18.

Not all features available on all models. For additional features, specifications and color availability, refer to pages 182-183.

56

### Convection Self-Clean Upper/ Self-Clean Lower



### GE Profile™ 30" Built-In Double Oven

- JTP56SD** Stainless steel
- CleanDesign oven interior
  - Integrated designer-style handles
  - Stainless steel oven doors
  - Upfront halogen interior oven lights

#### Convection Upper Oven

- Extra-large 4.1 cu. ft. self-clean oven with Delay Clean option
- **Convection Bake**
- **Convection Roast**
- **Roasting Rack**
- **Proofing option**
- **Three heavy-duty oven racks**
- **Exclusive seven embossed rack positions**
- **Automatic meat thermometer**
- **Eight-pass bake element**

#### Thermal Lower Oven

- Extra-large 4.4 cu. ft. self-clean oven with Delay Clean option
- **Two heavy-duty oven racks**
- **Six embossed rack positions**

### Convection Self-Clean Upper/ Self-Clean Lower



### Convection Self-Clean Upper/ Self-Clean Lower



### GE Profile 30" Built-In Double Oven

- JTP56CD** Bisque on bisque
- Frameless glass oven doors

### GE Profile 30" Built-In Double Oven

- JTP56BD** Black on black
- JTP56WD** White on white (not shown)





GEAppliances.com

### Self-Clean (Both Ovens)



GE®  
**30" Built-In Double Oven**  
**JTP45SD** Stainless steel  
 • Two extra-large 4.4 cu. ft. self-clean ovens with Delay Clean option • Sure Grip designer-style handles • **Stainless steel oven doors** • Two oven racks (each oven) • Six embossed rack positions



The largest\* capacity wall oven in America gives you flexibility to cook more at once.



Eight-pass power bake exemplifies the ultimate in heating performance with comprehensive coverage.

### Self-Clean (Both Ovens)



GE  
**30" Built-In Double Oven**  
**JTP45WD** White on white  
 • Two extra-large 4.4 cu. ft. self-clean ovens with Delay Clean option • Sure Grip designer-style handles • Frameless glass oven doors • Two oven racks (each oven) • Six embossed rack positions  
**JTP45CD** Bisque on bisque (not shown)  
**JTP45BD** Black on black (not shown)

### Self-Clean Upper/Standard Lower



GE  
**30" Built-In Double Oven**  
**JTP27BD** Black on black  
 • Sure Grip designer-style handles • Frameless glass oven doors • Two oven racks (each oven) • Six embossed rack positions  
**Upper Oven**  
 • Extra-large 4.4 cu. ft. self-clean oven with Delay Clean option • SmartSet electronic controls  
**Lower Oven**  
 • Extra-large 4.4 cu. ft. standard-clean oven  
 • Rotary controls  
**JTP27WD** White on white (not shown)



TrueTemp technology provides even heat distribution and maximum control.

Refrigeration

Built-In Cooking

Microwave Ovens

Dishwashers

Clothes Care

Air Conditioning





## Built-In Double Ovens: 30" and 27" Electric

### These models include

- Flush appearance installation • Frameless glass oven doors • SmartSet electronic controls
- Control lock capability
- Variable broil

Note: bold = feature upgrade from previous model



True European convection ovens provide even cooking and superior baking results.



Sensor microwave cooking controls take the guesswork out of cooking your favorite foods.



SmartSet electronic controls are simple to understand and easy to use. Just read and touch.

Not all features available on all models. For additional features, specifications and color availability, refer to pages 182 and 186.

58

### Microwave Upper/Convection Lower



#### GE Profile™ 30" Built-In Double Oven

**JTP95WD** White on white  
• Fits most 30" cabinets

#### Microwave Upper Oven

- 1.6 cu. ft. cavity • Sensor cooking controls for Auto Cook and Reheat • Auto Defrost • Turntable • 1000 watts

#### Convection Lower Oven

- Extra-large 4.1 cu. ft. self-clean oven with Delay Clean option • **CleanDesign oven interior** • **Integrated designer-style handle** • Exclusive Big ClearView™ window • **Convection Bake** • **Convection Roast** • **Roasting rack** • **Three heavy-duty oven racks** • **Exclusive seven embossed rack positions** • **Automatic meat thermometer** • **Eight-pass power bake** • **Upfront halogen interior oven lights**

**JTP95BD** Black on black (not shown)

### Microwave Upper/Self-Clean Lower



#### GE® 30" Built-In Double Oven

**JTP85WD** White on white  
• Fits most 30" cabinets • Upfront interior oven lights

#### Microwave Upper Oven

- 1.6 cu. ft. cavity • Sensor cooking controls for Auto Cook and Reheat • Auto Defrost • Turntable • 1000 watts

#### Lower Oven

- Extra-large 4.4 cu. ft. self-clean oven with Delay Clean option • Sure Grip designer-style handle • Two oven racks • Six embossed rack positions • Exclusive Big ClearView window

**JTP85BD** Black on black (not shown)

### Microwave Upper/Self-Clean Lower



#### GE 27" Built-In Double Oven

**JKP85BD** Black on black  
• Fits most 27" cabinets • Upfront interior oven lights

#### Microwave Upper Oven

- 1.6 cu. ft. cavity • Auto Roast • Auto Cook • Auto Defrost • Double Duty™ shelf • Turntable • 1000 watts

#### Lower Oven

- Extra-large 3.9 cu. ft. self-clean oven with Delay Clean option • Sure Grip designer-style handle • Exclusive Big ClearView window • Two oven racks

**JKP85WD** White on white (not shown)





## Built-In Double Ovens: 27" Electric

### These models include

- The largest\* capacity wall oven in America!
- Flush appearance installation • Fits most 27" cabinets • TrueTemp™ system • SmartSet electronic controls
- Certified Sabbath mode
- Control lock capability
- Exclusive Big ClearView windows • Variable broil

Note: bold = feature upgrade from previous model



True European convection ovens provide even cooking and superior baking results.



With a powerful halogen light, strategically placed in the front of the oven cavity, viewing inside the oven is clear and easy.



CleanDesign wall ovens have a smooth seamless surface, making cleanup easier than ever.

\*Among leading manufacturers' brands except models JTP56 and JTP18.

Not all features available on all models. For additional features, specifications and color availability, refer to pages 186-187.

### Convection Upper/Self-Clean Lower



#### GE Profile

##### 27" Built-In Double Oven

**JKP56SD** Stainless steel

- **CleanDesign oven interior** • **Integrated designer-style handles** • **Stainless steel oven doors** • **Upfront halogen interior oven lights**

#### Convection Upper Oven

- Extra-large 3.9 cu. ft. self-clean oven with Delay Clean option • **Convection Bake** • **Convection Roast** • **Roasting rack** • **Proofing option** • **Three heavy-duty oven racks** • Four embossed rack positions • **Six-pass bake element** • **Automatic meat thermometer**

#### Thermal Lower Oven

- Extra-large 3.9 cu. ft. self-clean oven with Delay Clean option • Four embossed rack positions • **Two heavy-duty oven racks**



#### GE Profile

##### 27" Built-In Double Oven

**JKP56CD** Bisque on bisque

- **Frameless glass oven doors**



#### GE Profile

##### 27" Built-In Double Oven

**JKP56BD** Black on black

**JKP56WD** White on white (not shown)

Refrigeration

Built-In Cooking

Microwave Ovens

Dishwashers

Clothes Care

Air Conditioning





## Built-In Double Ovens: 27" Electric

**These models include** • The largest\* capacity wall oven in America! • Flush appearance installation • Fits most 27" cabinets  
 • TrueTemp™ system • Certified Sabbath mode • Control lock capability • Frameless glass oven doors • Exclusive Big ClearView™ windows • Variable broil **Note: bold = feature upgrade from previous model**



The largest\* capacity wall oven in America gives you flexibility to cook more at once.



A Big ClearView window provides the see-through clarity to check the progress of food.

### Self-Clean (Both Ovens)



### GE® 27" Built-In Double Oven

**JKP45BD** Black on black  
 • Two extra-large 3.9 cu. ft. self-clean ovens with Delay Clean option • SmartSet electronic controls • Sure Grip designer-style handles  
 • Two oven racks (each oven)

### Self-Clean (Both Ovens)



GE  
 27" Built-In Double Oven  
**JKP45WD** White on white  
**JKP45CD** Bisque on bisque (not shown)

### Self-Clean Upper/Standard Lower



GE  
 27" Built-In Double Oven  
**JKP27WD** White on white  
 • Sure Grip designer-style handles • Two oven racks (each oven)  
**Upper Oven**  
 • Extra-large 3.9 cu. ft. self-clean oven with Delay Clean option • SmartSet electronic controls  
**Lower Oven**  
 • Extra-large 3.9 cu. ft. standard-clean oven  
 • Rotary control  
**JKP27BD** Black on black (not shown)



TrueTemp technology provides even heat distribution and maximum control.



Six-pass power bake provides unparalleled baking throughout the oven interior. The results are succulent, evenly cooked food.

\*Among leading manufacturers' brands except models JTP56 and JTP18.

Not all features available on all models. For additional features, specifications and color availability, refer to pages 186-187.





## Built-In Single Ovens: 30" Electric

**These models include** • The largest\* capacity wall oven in America! • Flush appearance installation • Fits most 30" cabinets • TrueTemp™ system • SmartSet electronic controls • Certified Sabbath mode • Control lock capability • Exclusive Big ClearView™ window • Variable broil

**Note: bold = feature upgrade from previous model**



True European convection ovens provide even cooking and superior baking results.

**ONLY GE HAS IT!**



Cook more at once! Take advantage of more oven capacity with the versatility of seven rack positions.



The ideal environment for proofing dough. Simply set for proof and dough will rise to perfection.

### Installation Flexibility

30" wall ovens can be installed in a wall or most 30" cabinets, or undercounter installation with either a gas or electric cooktop above. See page 187 for approved cooktop use.

\*Among leading manufacturers' brands except models JTP56 and JTP18.

Not all features available on all models. For additional features, specifications and color availability, refer to pages 184-185.

### Self-Clean Convection



#### GE Profile™ 30" Built-In Single Oven

- JTP18SD** Stainless steel
- CleanDesign oven interior • Integrated designer-style handle • Stainless steel oven door
- Upfront halogen interior oven light • Extra-large 4.1 cu. ft. self-clean oven with Delay Clean option
- Convection Bake • Convection Roast • Roasting rack • Proofing option • Eight-pass bake element
- Three heavy-duty oven racks • Exclusive seven embossed rack positions • Automatic meat thermometer



- GE Profile**  
30" Built-In Single Oven
- JTP18WD** White on white
- JTP18CD** Bisque on bisque (not shown)
- Frameless glass oven door



- GE Profile**  
30" Built-In Single Oven
- JTP18BD** Black on black

Refrigeration

Built-In Cooking

Microwave Ovens

Dishwashers

Clothes Care

Air Conditioning





## Built-In Single Ovens: 30" Electric

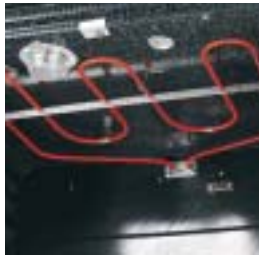
- These models include** • The largest\* capacity wall oven in America! • Flush appearance installation • Fits most 30" cabinets
- **TrueTemp™ system** • SmartSet electronic controls • Certified Sabbath mode • Control lock capability • Exclusive Big ClearView™ window
  - **Upfront interior oven light** • Variable broil **Note: bold = feature upgrade from previous model**



The largest\* capacity wall oven in America gives you flexibility to cook more at once.



TrueTemp technology provides even heat distribution and maximum control.



When the recipe calls for broiling, the incomparable Six-pass broil element excels in broil performance.

### Installation Flexibility

30" wall ovens can be installed in a wall or most 30" cabinets, or undercounter installation with either a gas or electric cooktop above. See page 187 for approved cooktop use.

\*Among leading manufacturers' brands except models JTP56 and JTP18.

Not all features available on all models. For additional features, specifications and color availability, refer to pages 184-185.

62

### Self-Clean



GE®  
30" Built-In Single Oven  
**JTP15SD** Stainless steel  
• Sure Grip designer-style handle • Extra-large 4.4 cu. ft. self-clean oven with Delay Clean option • Two oven racks • Six embossed rack positions

### Self-Clean



GE  
30" Built-In Single Oven  
**JTP15BD** Black on black

### Self-Clean



GE  
30" Built-In Single Oven  
**JTP15CD** Bisque on bisque  
**JTP15WD** White on white (not shown)





## Built-In Single Ovens: 27" Electric

**These models include** • The largest\* capacity wall oven in America! • Flush appearance installation • Fits most 27" cabinets • SmartSet electronic controls • **Certified Sabbath mode** • **Big ClearView™ window** • Variable broil • **Control lock capability** (except model JKS05BD)

Note: bold = feature upgrade from previous model



True European convection ovens provide even cooking and superior baking results.



The durable construction of the heavy-duty racks provides additional support for large cooking needs, such as that Thanksgiving turkey.



A Big ClearView window provides the see-through clarity to check the progress of food.

### Installation Flexibility

27" wall ovens can be installed in a wall or 27" cabinet, or undercounter installation with either a gas or electric cooktop above. See page 191 for approved cooktop use.

\*Among leading manufacturers' brands except models JTP56 and JTP18.

Not all features available on all models. For additional features, specifications and color availability, refer to pages 188-189.

### Self-Clean Convection



#### GE Profile™ 27" Built-In Single Oven

**JKP18SD** Stainless steel  
• **CleanDesign oven interior** • **Integrated designer-style handle** • **Stainless steel oven door** • **Upfront halogen interior oven light** • **TrueTemp™ system** • Extra-large 3.9 cu. ft. self-clean oven with Delay Clean option • **Convection Bake** • **Convection Roast** • **Roasting rack** • **Proofing option** • **Three heavy-duty oven racks** • **Four embossed rack positions** • **Six-pass bake element** • **Automatic meat thermometer**

### Self-Clean Convection



#### GE Profile 27" Built-In Single Oven

**JKP18WD** White on white  
• **Frameless glass oven door**  
**JKP18CD** Bisque on bisque (not shown)  
**JKP18BD** Black on black (not shown)

### Self-Clean



#### GE 27" Built-In Single Oven

**JKP15WD** White on white  
• **TrueTemp™ system** • **Sure Grip designer-style handle** • **Extra-large 3.9 cu. ft. self-clean oven with Delay Clean option** • **Two oven racks** • **Six-pass bake element**

**JKP15CD** Bisque on bisque (not shown)  
**JKP15BD** Black on black (not shown)

### Standard Clean



#### GE 27" Built-In Single Oven

**JKS05BD** Black on black  
• **Sure Grip designer-style handle** • **Extra-large 3.9 cu. ft. standard-clean oven** • **Two oven racks**

Refrigeration

Built-In Cooking

Microwave Ovens

Dishwashers

Clothes Care

Air Conditioning





## Built-In Double and Single Ovens: 24" Electric

### These models include

- Fits most 24" cabinets
- SmartSet electronic controls
- Frameless glass oven doors
- Designer-style handles
- Two oven racks (each oven)
- Variable broil

**Note: bold = feature upgrade from previous model**



SmartSet electronic controls are simple to understand and easy to use. Just read and touch.



GE®  
24" Built-In Double Oven  
**JRP24BD** Black on black

#### Upper Oven

- Self-clean oven with Delay Clean option
- Control lock capability
- Delay Bake option with Cook & Hold

#### Lower Oven

- Standard-clean oven
- Rotary controls



GE  
24" Built-In Single Oven  
**JRP15WW** White on white

- Self-clean oven with Delay Clean option
- Control lock capability
- Delay Bake option with Cook & Hold

**JRP15BW** Black on black (not shown)

**JRS04BW** Black on black (not shown)

- Standard-clean oven
- Delay Bake option with Cook & Hold

## Built-In Single Ovens: 24" Gas

### These models include

- Fits most 24" cabinets
- SmartSet electronic controls
- Electronic pilotless ignition
- Frameless glass oven door
- Designer-style handle

**Note: bold = feature upgrade from previous model**



Self-clean ovens provide easy clean convenience. Simply set the controls and the oven cleans itself.

Not all features available on all models. For additional features, specifications and color availability, refer to pages 186-190.

64



GE  
24" Built-In Single Oven  
**JGRP17WEW** White on white

- Self-clean oven with Delay Clean option
- Control lock capability
- In-oven broiling
- Storage drawer

**JGRP17BEW** Black on black (not shown)



GE  
24" Built-In Single Oven  
**JGRS14BEW** Black on black

- Standard-clean oven
- Separate broiler drawer







## Built-In Warming Drawers: 30" and 27" Electric

**These models include** • Flush appearance installation • Temperature control with Proof, Low, Medium and High settings • Crisp/Moist humidity control • ON/OFF switch • "ON" indicator light • One-half rack • Frameless drawer front • Integrated designer-style handle

• Removable stainless steel drawer pan • Five-piece commercial pan set or wood panel kit (available at additional cost)



Half rack provides even heat distribution and allows extra space to keep food warm and tasty before serving.



Warming drawer keeps plates warm, ready and waiting to serve that special meal.



Hidden temperature control has proof, low, medium and high settings for warming flexibility.



**GE Profile™**  
*Built-In Warming Drawer*  
**JTD910SB** Stainless steel  
• 30" width  
**JKD910SB** Stainless steel (not shown)  
• 27" width



**GE Profile**  
*Built-In Warming Drawer*  
**JTD910CB** Bisque on bisque  
• 30" width  
**JKD910CB** Bisque on bisque (not shown)  
• 27" width



**GE Profile**  
*Built-In Warming Drawer*  
**JTD910BB** Black on black  
• 30" width  
**JTD910WB** White on white (not shown)  
• 30" width  
**JKD910WB** White on white (not shown)  
• 27" width  
**JKD910BB** Black on black (not shown)  
• 27" width

Not all features available on all models. For additional features, specifications and color availability, refer to page 191.

Refrigeration

Built-In Cooking

Microwave Ovens

Dishwashers

Clothes Care

Air Conditioning





## Built-In Cooktops

GE caters to today's busy cooks with a wide variety of cooktop options.

**GE Profile™ and GE® cooktops make a dramatic difference in the kitchen, both in terms of appearance and performance.** Distinguished by a continuous, smooth surface, these cooktops add immediate visual interest. High-tech features include an electronic sensor that automatically adjusts the size of the element to fit the pan, a sensor that indicates when an element is left on and a convenient warming option.



**Now you can enjoy the superior performance of gas, along with ease of cleaning.** Thanks to GE innovation, serious cooks can make gas cooktops a prominent part of their kitchens without the usual worry about cleanability. High-output or simmer burners give you precise control over heat intensity, while the smooth, sealed surface beneath these burners lets you control spills and messes. A professional-style grid of continuous burner grates allows easy pot movement. And every model wipes clean, whether it's the deep, recessed cooktop or the gas-on-glass style.





GEAppliances.com

Refrigeration



Built-In Cooking

**Electric cooktops offer an array of convenient extras.**

The electric cooktop line delivers an impressive lineup of design features and performance capabilities. Among these is the bridge element, which combines two elements to create an elongated cooking area. Models with electronic controls also feature a cooking timer and lockout option.

Microwave Ovens



Dishwashers

**Gas cooktops provide outstanding performance.**

When it comes to power, our gas cooktops go to extremes. The 15,000-BTU burner supplies intense heat needed for sautéing and stir-frying. Gas cooktops also provide precise temperature control and consistent, gentle simmering.

Clothes Care

Air Conditioning



## Built-In Cooktops: 36" Electric CleanDesign

**These models include** • Smooth frameless ceramic-glass CleanDesign cooktop • Flush-mount installation capability (except Stainless steel models)  
 • Fingerprint- and scratch-resistant patterned glass cooktop • Five hot surface indicator lights **Note: bold = feature upgrade from previous model**



Electronic controls are simple to understand and easy to operate. Just read and touch.



Helps protect your family's safety with control lockout capability.



A convenient kitchen timer lets you set a reminder at the appropriate cooking time, making precision cooking easy.



Pan presence sensor reminds you when an element is left on and automatically shuts it off when not in use.

Not all features available on all models. For additional features, specifications and color availability, refer to page 192.

68



### *GE Profile™* 36" Electronic Touch Control Cooktop

**JP968BC** Black on black  
 • Frameless cooktop • **Electronic touch controls**  
 • **Pan presence sensor** • **Pan size sensor** • **Control lockout** • **Kitchen timer** • Five ribbon heating elements: one 6", one 7" with warmer, one dual (6"/9") and two 7" with connecting bridge element

**JP968SC** Stainless steel (not shown)

**JP968WC** White on white (not shown)

**JP968CC** Bisque on bisque (not shown)



### *GE Profile* 36" Electric CleanDesign Cooktop

**JP960TC** True white  
 • Frameless true white cooktop • Five ribbon heating elements: one 6", one 7", one dual (6"/9") and two 7" with connecting bridge element



### *GE Profile* 36" Electric CleanDesign Cooktop

**JP960KC** True Bisque  
 • Frameless true bisque cooktop • Five ribbon heating elements: one 6", one 7", one dual (6"/9") and two 7" with connecting bridge element



### *GE Profile* 36" Electric CleanDesign Cooktop

**JP960SC** Stainless steel  
 • Frameless cooktop • Five ribbon heating elements: one 6", one 7", one dual (6"/9") and two 7" with connecting bridge element

**JP960BC** Black on black (not shown)



## Built-In Cooktops: 30" Electric CleanDesign

**These models include** • Smooth frameless ceramic-glass CleanDesign cooktop • Flush-mount installation capability (except stainless steel models) • Fingerprint- and scratch-resistant patterned glass cooktop **Note: bold = feature upgrade from previous model**



Energy-efficient pan size sensor selects a 6" or 9" element to match the pan you are using.



Flush-mount installation creates a stunning visual effect. (Not available on stainless steel models)



Bridge element for total cooking flexibility.



6"/9" Dual element saves energy and provides more efficient cooking.

Not all features available on all models. For additional features, specifications and color availability, refer to page 192.



**GE Profile**  
**30" Electronic Touch Control Cooktop**  
**JP938BC** Black on black  
• Frameless cooktop • **Electronic touch controls** • **Pan presence sensor** • **Pan size sensor** • **Control lockout** • **Kitchen timer**  
• Four ribbon heating elements: **one 6" with warmer**, one dual (6"/9") and two 7" with connecting bridge element • Four hot surface indicator lights  
**JP938SC** Stainless steel (not shown)  
**JP938WC** White on white (not shown)  
**JP938CC** Bisque on bisque (not shown)



**GE Profile**  
**30" Electric CleanDesign Cooktop**  
**JP930SC** Stainless steel  
• Frameless cooktop • Four ribbon heating elements: one 6", one dual (6"/9") and **two 7" with connecting bridge element** • Four hot surface indicator lights  
**JP930TC** True white (not shown)  
**JP930KC** True bisque (not shown)  
**JP930BC** Black on black (not shown)



**GE Profile**  
**30" Electric CleanDesign Cooktop**  
**JP350KC** True bisque  
• Frameless cooktop • Four ribbon heating elements: **one dual (6"/9")**, two 8" and one 6" • **Four hot surface indicator lights**  
**JP350SC** Stainless steel (not shown)  
**JP350TC** True white (not shown)  
**JP350WC** White on white (not shown)  
**JP350BC** Black on black (not shown)



**GE®**  
**30" Electric CleanDesign Cooktop**  
**JP340WC** White on white  
• Frameless cooktop • Four ribbon heating elements: two 6" and two 8" • Hot surface indicator light  
**JP340BC** Black on black (not shown)

Refrigeration

Built-In Cooking

Microwave Ovens

Dishwashers

Clothes Care

Air Conditioning



## Built-In Cooktops: 36" and 30" Electric Coil

**These models include** • Porcelain-enameled lift-up cooktop • Two 8" and two 6" plug-in Calrod® heating elements  
• Infinite heat rotary controls **Note: bold = feature upgrade from previous model**



GE®  
36" Electric Coil Cooktop  
**JP626WV** White on white  
• One-piece chrome drip bowls • **Upfront color-matched glass control panel**  
**JP626CC** Bisque on bisque (not shown)



GE  
30" Electric Coil Cooktop  
**JP326BV** Black on black  
• One-piece drip bowls • Color-matched glass control panel  
**JP326WV** White on white (not shown)  
**JP326CC** Bisque on bisque (not shown)  
**JP326CV** Brushed-chrome (not shown)

## Built-In Cooktops: 21" Compact



GE  
21" Electric Coil Cooktop  
**JP201CB** Stainless steel  
• One 8" and one 6" plug-in heating element  
• Infinite heat rotary controls • Removable one-piece chrome drip bowls • Heating element "ON" indicator light  
**JP202D** White on white (not shown)

Not all features available on all models.  
For additional features, specifications and color availability, refer to page 193.



## Built-In Cooktops: 30" Electric Downdraft

**These models include** • Smooth frameless ceramic-glass CleanDesign cooktop • Four ribbon heating elements: one 6", one dual (6"/9") and two 7" with connecting bridge element • Four hot surface indicator lights • Powerful 400-CFM downdraft venting system • Three-speed fan • Upfront controls



**GE Profile™**  
**30" Electric Downdraft Cooktop**  
**JP989SD** Stainless steel  
**JP989TD** True white (not shown)  
**JP989BD** Black on black (not shown)



**GE Profile**  
**30" Electric Downdraft Cooktop**  
**JP989KD** True bisque

## Built-In Cooktops: 30" Gas Downdraft

**These models include** • Ceramic-glass cooktop • Four sealed gas burners • Continuous cast-iron grates • Electronic pilotless ignition • Powerful 400-CFM downdraft venting system • Three-speed fan • Upfront controls **Note: bold = feature upgrade from previous model**



**GE Profile**  
**30" Gas Downdraft Cooktop**  
**JGP989TC** True white  
**JGP989KC** True bisque (not shown)



**GE Profile**  
**30" Gas Downdraft Cooktop**  
**JGP989BC** Black on black

Not all features available on all models.  
For additional features, specifications and color availability, refer to pages 194-195.

Refrigeration

Built-In Cooking

Microwave Ovens

Dishwashers

Clothes Care

Air Conditioning



## Built-In Cooktops: 36" Gas

**These models include** • Sealed burners • Electronic pilotless ignition **Note: bold = feature upgrade from previous model**



Precise Simmer burner keeps delicate foods like sauces and gravies at a low setting.



Maximum Plus burner 15,000 BTU burner heats up fast with high power for skillets, woks or large pots.



GE glass cooktops are sleek and easy to clean. The flat surface and sealed burners make cleanup a snap.



### GE Profile™ 36" Deep Stainless Gas Cooktop

**JGP963SEF** Stainless steel  
• **Deep stainless cooktop** • Continuous deluxe cast-iron grates • Five sealed gas burners • 15,000 BTU Maximum Plus burner • Two Precise Simmer burners  
• Dishwasher-safe grates



### GE Profile 36" Deep Porcelain Gas Cooktop

**JGP963BEC** Black on black  
• **Deep porcelain cooktop** • Continuous deluxe cast-iron grates • Five sealed gas burners • 15,000 BTU Maximum Plus burner • Two Precise Simmer burners  
• Dishwasher-safe grates

**JGP963WEC** White on white (not shown)  
**JGP963CEC** Bisque on bisque (not shown)



### GE Profile 36" Gas on Glass Cooktop

**JGP962SEC** Stainless steel  
• **Gas on glass ceramic cooktop** • Continuous deluxe cast-iron grates • Five sealed gas burners • 15,000 BTU Maximum Plus burner • Two Precise Simmer burners  
• Dishwasher-safe grates

**JGP962TEC** True white (not shown)  
**JGP962KED** True bisque (not shown)  
**JGP962BEC** Black on black (not shown)



### GE® 36" Gas Cooktop

**JGP960SED** Stainless steel  
• Tempered glass cooktop • Deluxe cast-iron grates • Five sealed gas burners • Two Precise Simmer burners • 12,000 BTU Maximum Output burner

Not all features available on all models. For additional features, specifications and color availability, refer to pages 196-197.





GEAppliances.com

Refrigeration



GE  
 36" Gas Cooktop  
**JGP636CED** Bisque  
 • Tempered glass cooktop • Deluxe cast-iron grates • Five sealed gas burners • Two Precise Simmer burners • 12,000 BTU Maximum Output burner  
**JGP636WED** White on white (not shown)  
**JGP636BED** Black on black (not shown)

Built-In Cooking



GE  
 36" Deep Porcelain Gas Cooktop  
**JGP628CEC** Bisque  
 • Deep porcelain cooktop • Precise Simmer burner • Continuous grates  
**JGP628WEC** White on white (not shown)  
**JGP628BEC** Black on black (not shown)

Microwave Ovens

## Built-In Cooktop: 36" Gas Downdraft



*GE Profile*  
 36" Gas Integrated Downdraft Cooktop  
**JGP656WB** White on white  
 • Tempered glass cooktop • Four sealed gas burners • Cast-iron grates • Electronic pilotless ignition • 350-CFM retractable downdraft venting system • Upfront variable-speed fan control • JXBA56WW or JXBA56BB Downdraft Venting Kit required for installation (must be ordered separately) • Optional JXR57 kit for installation of blower and motor below the floor. Use optional GE accessory cover (JXBC57) for outdoor installation of blower and motor.  
**JGP656BB** Black on black (not shown)

Shown with JVB96SA Telescopic Downdraft unit.

Dishwashers

Clothes Care

Air Conditioning





## Built-In Cooktops: 30" Gas

**These models include** • Sealed burners (except JGP320EC) • Electronic pilotless ignition

**Note: bold = feature upgrade from previous model**



Precise Simmer burner keeps delicate foods like sauces and gravies at a low setting.



Maximum Plus burner 15,000 BTU burner heats up fast with high power for skillets, woks or large pots.



GE glass cooktops are sleek and easy to clean. The flat surface and sealed burners make cleanup a snap.



### GE Profile™ 30" Deep Porcelain Gas Cooktop

**JGP933SEF** Stainless steel  
• **Deep stainless cooktop** • Continuous deluxe cast-iron grates • Four sealed gas burners • 15,000 BTU Maximum Plus burner • Precise Simmer burner • Dishwasher-safe grates

**JGP933WEC** White on white (not shown)  
• Deep porcelain cooktop

**JGP933CEC** Bisque on bisque (not shown)

**JGP933BEC** Black on black (not shown)



### GE Profile 30" Gas on Glass Cooktop

**JGP932KED** True bisque  
• Gas on glass ceramic cooktop • Continuous deluxe cast-iron grates • Four sealed gas burners • 15,000 BTU Maximum Plus burner • Precise Simmer burner • Dishwasher-safe grates

**JGP932TEC** True white (not shown)



### GE Profile 30" Gas on Glass Cooktop

**JGP932BEC** Black on black  
• Gas on glass ceramic cooktop • Continuous deluxe cast-iron grates • Four sealed gas burners • 15,000 BTU Maximum Plus burner • Precise Simmer burner • Dishwasher-safe grates

**JGP932SEC** Stainless steel (not shown)



### GE® 30" Gas Cooktop

**JGP930SED** Stainless steel  
• Tempered glass cooktop • Deluxe cast-iron grates • Four sealed gas burners • Precise Simmer burner • 12,000 BTU Maximum Output burner

Not all features available on all models. For additional features, specifications and color availability, refer to page 196.





GEAppliances.com



GE  
**30" Gas Cooktop**  
**JGP336WED** White on white  
 • Tempered glass cooktop • Deluxe cast-iron grates • Four sealed gas burners • Precise Simmer burner • **12,000 BTU Maximum Output burner**  
**JGP336CED** Bisque on bisque (not shown)  
**JGP336BED** Black on black (not shown)



GE  
**30" Deep Porcelain Gas Cooktop**  
**JGP328BEC** Black on black  
 • Deep porcelain cooktop • Four sealed gas burners • Precise Simmer burner • Continuous grates  
**JGP328WEC** White on white (not shown)  
**JGP328CEC** Bisque on bisque (not shown)



GE  
**30" Gas Cooktop**  
**JGP326WEF** White on white  
 • Four sealed gas burners  
**JGP326CEF** Bisque on bisque (not shown)  
**JGP326BEF** Black on black (not shown)



GE  
**30" Gas Cooktop**  
**JGP320EV** White or black  
 • Lift-up cooktop • Glass control panel • Standard porcelain-steel grates • Four standard gas burners

Refrigeration

Built-In Cooking

Microwave Ovens

Dishwashers

Clothes Care

Air Conditioning



## Built-In Cooktops: Downdraft Electric Select-Top™ Modular

**These models include** • Infinite heat rotary controls • Powerful 400-CFM downdraft venting system  
 • Heating element "ON" indicator light **Note: bold = feature upgrade from previous model**

### Optional Select-Top™ Modules (available at additional cost)



**Grill Module**  
 Front and rear controlled heating element for more cooking flexibility and energy savings. One-piece grill grate and porcelain-enameled reflector pan can be removed for cleaning in sink or dishwasher.



**Griddle Accessory**  
 (For use with optional grill module) Place over heating element and reflector pan from optional grill module. Griddle accessory has a non-stick coating and is self-draining.



**GE Profile™**  
**30" Dual Modular Cooktop**  
**JP389WV** White on white  
 • Three-speed fan  
 • Porcelain-enameled cooktop • Both sides accept optional cooking modules  
 Shown with optional Ribbon module JXDR50VW and Grill module JXDL44N.



**GE Profile**  
**30" Dual Modular Cooktop**  
**JP389BV** Black on black  
 • Three-speed fan  
 • Porcelain-enameled cooktop  
 • **Both sides accept optional cooking modules**  
 Shown with optional Ribbon modules JXDR50VB.



**Ribbon Module**  
 Patterned glass top with one 8" and one 6" ribbon heating element.



**Coil Module**  
 One 8" and one 6" plug-in coil heating element with removable one-piece drip bowls.



**GE®**  
**30" Single Modular Cooktop**  
**JP385WV** White  
 • Porcelain-enameled cooktop • Fixed 6" and 8" plug-in coil heating elements • Left side accepts optional cooking modules  
 Shown with optional Grill module JXDL44N.



**GE**  
**30" Single Modular Cooktop**  
**JP385BV** Black  
 • Porcelain-enameled cooktop • Fixed 6" and 8" plug-in coil heating elements • **Left side accepts optional cooking modules**  
 Shown with optional Grill module JXDL44N.

**Grill Cover** (not shown)  
 Covers grill area when not in use. Available in Black on black and White on white.

Not all features available on all models. For additional features, specifications and color availability, refer to pages 198-199.

Optional Modules (available at additional cost)	Models			
	JP389WV	JP389BV	JP385WV	JP385BV
<b>Coil Module</b>	JXDC44RWH	JXDC43RBL	JXDC44RWH	JXDC43RBL
<b>Ribbon Module</b>	JXDR50VW	JXDR50VB	JXDR50VW	JXDR50VB
<b>Grill Module</b>	JXDL44N	JXDL44N	JXDL44N	JXDL44N
<b>Griddle Accessory</b>	JXDD44R	JXDD44R	JXDD44R	JXDD44R
<b>Grill Cover</b>	JXDM3	JXDM2	JXDM3	JXDM2



## Built-In Cooktops: 30" Patio Grill



**GE**  
**30" Patio Grill**  
**JP380BV** Black  
 • Porcelain-enamelled cooktop • Fixed grill elements each side • Infinite heat rotary controls • Powerful downdraft venting system • Heating element "ON" indicator light • Optional grill covers (JXDM4) available at additional cost  
 U.L. approved for outdoor use only.

## Built-In Cooktops: 30" Downdraft Gas Modular



**GE Profile**  
**30" Single Modular Gas Cooktop**  
**JGP389WEV** White on white  
 • Fixed standard gas burners (right side) • Left side accepts optional cooking modules • Powerful downdraft venting • Electronic pilotless ignition • Upfront controls  
 Shown with optional Grill module JXGG89.  
**JGP389BEV** Black on black (not shown)

**Optional Modules**  
 (available at additional cost)  
 Two-burner gas module for standard burners  
 JXGB89W—White on white  
 JXGB89B—Black on black  
 Gas grill module  
 JXGG89  
 Griddle for use with optional Grill module  
 JXGL89  
 Grill Cover  
 JXGC89W—White on white  
 JXGC89B—Black on black

### Common Cooktop Cutouts

#### Common Cutouts—30" Cooktops

Dimensions (W x D)	Model #	Description	
28-1/2" x 19-5/8"	JP938	CleanDesign	
	JP930	CleanDesign	
	JP350	CleanDesign	
	JP340	CleanDesign	
	JP326	Calrod®	
	JGP933—Gas	Sealed Burner	
	JGP932—Gas	Sealed Burner	
	JGP930—Gas	Sealed Burner	
	JGP336—Gas	Sealed Burner	
	JGP328—Gas	Sealed Burner	
	JGP326—Gas	Sealed Burner	
	JGP320—Gas	Standard Burner	
	28-7/8" x 20-5/8"	JP989	Electric Downdraft
		JP389	Modular Downdraft
JP385		Modular Downdraft	
JP380		Patio Grill	
JGP989—Gas		Gas Downdraft	
JGP389—Gas	Modular Downdraft		

#### Common Cutouts—36" Cooktops

Dimensions (W x D)	Model #	Description
33-7/8" x 19-1/8"	JP968	CleanDesign
	JP960	CleanDesign
	JP626	Calrod®
	JGP963—Gas	Sealed Burner
	JGP962—Gas	Sealed Burner
	JGP960—Gas	Sealed Burner
	JGP636—Gas	Sealed Burner
	JGP628—Gas	Sealed Burner
34-9/16" x 21"	JGP656—Gas	Sealed Burner Downdraft

Not all features available on all models.  
 For additional features, specifications and color availability, refer to page 199.

Refrigeration

Built-In Cooking

Microwave Ovens

Dishwashers

Clothes Care

Air Conditioning





## GE Slide-In and Drop-In Ranges

### The perfect fit.

GE slide-in and drop-in ranges fit every kitchen decor and cooking style. They install almost flush with surrounding cabinetry and counters, creating a dramatic effect. Accenting the contemporary design is the sleek stainless exterior, which complements just about any color or wood finish. The performance features are equally versatile.



*GE slide-in and drop-in ranges give the effect of added space, opening up kitchens and making them more inviting.*





Versatile features are the key ingredients to our slide-in and drop-in ranges.



**Bridge element**

For total cooking flexibility, the bridge element gives you the freedom to match longer gourmet pans or skillets to the heating elements. A simple switch lets you combine two burners into one large cooking area.



**Warming zone**

The warming zone is specifically designed to keep foods warm and ready to enjoy. This is a perfect option to help you coordinate numerous dishes and serve one fantastic meal.



**Electronic control panel**

The electronic control panel is innovatively styled with soft touch pads, a digital display and sleek, easy-turn dials. Plus, it's ergonomically angled for optimal, user-friendly operation.



**Sealed burners**

The gas burners are sealed to the cooktop to help contain spills, making cleanup quick and easy. These burners ignite electronically, so you don't have to deal with troublesome pilot lights. Power capacities range from low simmer to high output.

Not all features available on all models.

Refrigeration

Built-In Cooking

Microwave Ovens

Dishwashers

Clothes Care

Air Conditioning





## Slide-In Ranges: 30" Electric

**These models include** • SmartSet electronic controls • **Big ClearView™ window** • Four hot surface indicator lights • Fingerprint- and scratch-resistant patterned ceramic-glass CleanDesign cooktop • Integrated designer-style handle • Extra-large self-clean oven with Delay Clean option • Control lock capability • Custom built-in look with simple slide-in installation Note: bold = feature upgrade from previous model



SmartSet electronic controls are simple to understand and easy to operate. Just read and touch.



The warming zone is a great way to keep food warm and ready to enjoy.



Bridge element for total cooking flexibility.



Fast and easy cleanup is made possible through our CleanDesign oven interior.

Not all features available on all models. For additional features, specifications and color availability, refer to pages 200-201.

80



### *GE Profile™* 30" Slide-In CleanDesign Convection Range

**JS966SD** Stainless steel  
• Two 7" ribbon heating elements with connecting bridge element • One dual (6"/9") and one 6" ribbon heating element  
• **Fifth element warming zone** • **CleanDesign oven interior** • Convection Bake • Convection Roast • **Stainless steel oven door with window** • **Three heavy-duty racks** • **Halogen interior oven light** • Certified Sabbath mode  
**JS966TD** True white (not shown)  
**JS966KD** True bisque (not shown)  
**JS966BD** Black on black (not shown)



### *GE Profile* 30" Slide-In CleanDesign Convection Range

**JSP56WD** White on white  
• **Two 7" ribbon heating elements with connecting bridge element** • One 6" and one dual (6"/9") ribbon heating element • **Convection Bake** • **Convection Roast** • **Certified Sabbath mode** • **Frameless glass oven door**  
**JSP56CD** Bisque on bisque (not shown)  
**JSP56BD** Black on black (not shown)



### *GE Profile* 30" Slide-In CleanDesign Electric Range

**JSP46CD** Bisque on bisque  
• Two 8", one 6" and one dual (6"/9") ribbon heating element • **Frameless glass oven door**  
**JSP46WD** White on white (not shown)  
**JSP46BD** Black on black (not shown)







**These models include** • Lift-up overhanging porcelain-enameled cooktop • Two 8" and two 6" plug-in Calrod® heating elements  
• Electronic clock and kitchen timer • Custom built-in look with simple slide-in installation **Note: bold = feature upgrade from previous model**



GE®  
30" Slide-In Electric Coil Range  
**JSP34WD** White on white  
• SmartSet electronic controls • Self-clean oven with Delay Clean option • Frameless glass oven door with designer-style handle  
• Control lock capability  
**JSP34CD** Bisque on bisque (not shown)  
**JSP34BD** Black on black (not shown)



GE  
30" Slide-In Electric Coil Range  
**JSP26BD** White or Bisque  
• SmartSet electronic controls • Self-clean oven with Delay Clean option • Frameless glass oven door with designer-style handle • Control lock capability



GE  
30" Slide-In Electric Coil Range  
**JSS26BD** Black on black  
• Standard-clean oven • Frameless glass oven door with designer-style handle  
**JSS16PD** White or Bisque (not shown)  
• Standard-clean oven • Color-matched oven door  
• Visor handle

Refrigeration

Built-In Cooking

Microwave Ovens

Dishwashers

Clothes Care

Air Conditioning



## Slide-In Ranges: 30" Gas

**These models include** • Electronic pilotless ignition • **Frameless glass oven door** • Interior oven light • Broiler pan with grid

Note: bold = feature upgrade from previous model



Sealed burner design helps contain spills from dripping beneath cooktop for easy cleaning.



Maximum Output burners have high-power performance, making cooking convenient.



Precise Simmer burner provides more temperature control with a low 700-BTU setting.

### Optional Accessory Trim Kits

Enhance the built-in look of these Slide-In Gas ranges with optional accessory trim kits (all models except JGSS05BEA), see page 202.

Models shown with required filler strip provided.

Not all features available on all models. For additional features, specifications and color availability, refer to pages 202-203.

82



### GE Profile™ 30" Slide-In Gas Range

**JGSP44WEY** White on white

• SmartSet electronic controls • Self-clean oven with Delay Clean option • Sealed burners • Standard simmer burner • **Maximum output burner** • **Deluxe cast grates** • **Sure Grip designer-style handle** • **Glass cooktop** • Storage drawer

**JGSP44CEY** Bisque on bisque (not shown)

**JGSP44BEY** Black on black (not shown)



### GE® 30" Slide-In Gas Range

**JGSP23WEY** White on white

• SmartSet electronic controls • Sealed burners • **Standard Simmer burner** • **Self-clean oven with Delay Clean option** • **Control lock capability** • White porcelain-enameled cooktop • **Standard-cast grates** • **Storage drawer**

**JGSP23BEY** Black on black (not shown)



### GE 30" Slide-In Gas Range

**JGSS05BEA** Black on black

• Extra-large standard-clean oven • Black porcelain-enameled lift-up cooktop • Twin rod supports • Separate broiler drawer with extra-large broiler pan and grid • Standard porcelain-steel grates



## Slide-In Ranges: 30" Downdraft Electric

- These models include** • Powerful downdraft venting system • Two-speed fan • Self-clean oven • Glass oven door with window
- Designer-style handle • Electronic clock and minute timer • Delay Bake option • Dual modular porcelain-enameled cooktop
  - Storage drawer (half depth)



GE  
30" Downdraft Electric Slide-In Range  
**JSP69WV** White on white  
**JSP69BV** Black on black (not shown)

Modular cooktops allow you to customize the range to suit your convenience and food preparation needs. Downdraft venting allows you to fry, griddle or grill without a vent hood. These ranges are equipped with a grill module, other modules shown are available at additional cost.



**Coil Modules**  
JXGC53W—  
White on white,  
JXGC53B—  
Black on black.  
One 8" and one 6"  
plug-in heating element  
with removable  
one-piece drip bowls.



**Griddle  
Accessory**  
JXGL90—(For use  
with grill module) Place  
over heating element  
from grill module.  
Griddle accessory has  
a non-stick coating.



**Grill Module**  
JXGG50—Has  
two-piece, non-stick  
coated grates for  
cooking and cleaning  
convenience. (One  
included with each  
range.)



**Radiant  
Module**  
JXGR63B—  
Frameless module  
has patterned glass  
top with two 7" radiant  
heating elements.

Not all features available on all models.  
For additional features, specifications and  
color availability, refer to page 203.

Refrigeration

Built-In Cooking

Microwave Ovens

Dishwashers

Clothes Care

Air Conditioning





## Drop-In Ranges: 30" Electric

**These models include** • SmartSet electronic controls • Lift-off oven door • Self-clean oven with delay option • Control lock capability

Note: bold = feature upgrade from previous model



SmartSet electronic controls are simple to understand and easy to operate. Just read and touch.



The warming zone is a great way to keep food warm and ready to enjoy.



Bridge element for total cooking flexibility.



Fast and easy cleanup is made possible through our CleanDesign oven interior.



### GE Profile™ 30" Drop-In Convection Range

**JD966SD** Stainless steel  
 • Extra-large self-clean oven with Delay Clean option  
 • Two 7" ribbon heating elements with connecting bridge element • One dual (6"/9") and one 6" ribbon heating element • **Fifth element warming zone** • Four hot surface indicator lights  
 • Fingerprint- and scratch-resistant ceramic-glass CleanDesign cooktop • **CleanDesign oven interior**  
 • **Convection Bake • Convection Roast • Stainless steel oven door with Big ClearView™ window** • Integrated designer-style handle • **Three heavy-duty racks**  
 • **Halogen interior oven light • Certified Sabbath mode**

**JD966TD** True white (not shown)

**JD966KD** True bisque (not shown)

**JD966BD** Black on black (not shown)



### GE Profile 30" Drop-In Electric Range

**JDP46CD** Bisque on bisque  
 • Extra-large self-clean oven with Delay Clean option • Two 8", one 6" and one dual (6"/9") ribbon heating element • Four hot surface indicator lights • Fingerprint- and scratch-resistant ceramic-glass CleanDesign cooktop • **Frameless glass oven door with Big ClearView window**  
 • **Integrated designer-style handle**

**JDP46WD** White on white (not shown)

**JDP46BD** Black on black (not shown)



### GE® 30" Drop-In Electric Range

**JDP39BW** Black on black  
 • Lift-up overhanging cooktop • Two 8" and two 6" plug-in heating elements • Removable one-piece drip bowls • **Frameless glass oven door with window** • Designer-style handle

**JDP39WW** White on white (not shown)

Not all features available on all models. For additional features, specifications and color availability, refer to pages 204-206.





- GE  
30" Drop-In Electric Range
- JDP36BW** White
- Lift-up overhanging cooktop • Two 8" and two 6" plug-in heating elements
  - Removable one-piece drip bowls
  - Frameless glass oven door with window
  - Designer-style handle
- JDP36BD** Bisque (not shown)
- JDS26BW** White (not shown)
- Standard-clean oven
- JDS26BD** Bisque (not shown)
- Standard-clean oven

Refrigeration

Built-In Cooking

Microwave Ovens

## Drop-In Spacemaker™ Ranges: 27" Electric

**These models include** • Lift-up overhanging porcelain-enameled cooktop • One 8" and three 6" plug-in Calrod® heating elements

• Frameless glass oven door • Big View window • Chrome drip bowls **Note: bold = feature upgrade from previous model**



Electronic oven control provides convenient cooking functions.



Calrod® heating elements unplug for easy removal of one-piece drip bowls for cleaning and access to the subtop.



- GE Profile**  
27" Drop-In Electric Range
- JMP31WC** White on white
- Self-clean oven with automatic oven door lock
  - Electronic clock and kitchen timer • Auto oven shut-off • **Sure Grip designer-style handle**



- GE  
27" Drop-In Electric Range
- JMP28BC** White
- **Self-clean oven with automatic oven door lock**
  - **Electronic clock and minute timer • Auto oven shut-off**
- JMP28BD** Bisque (not shown)
- JMS08BD** White or Bisque (not shown)
- Standard-clean oven

Dishwashers

Clothes Care

Air Conditioning

### Optional Backguards

White or black painted finish is available at additional cost for all models.  
JX27RWH – White, JX27RBK – Black





GE ranges are constantly improved to help make your experience in the kitchen a delightful one.

*F*rom innovative engineering to distinctive styling, GE Profile™ and GE® free-standing

electric ranges are the most dependable

ranges you can buy. The smooth cooktop puts

advanced technology at your fingertips

with new features like an additional fifth

element **warming zone**. Plus, the

improved cooktop design features one

consistent “true” color on select models. The

**super-large** capacity and the six positions

for the new self-clean heavy-duty oven racks

make it easy to cook more food. Plus, true

European convection circulates heat throughout

the oven and the **TrueTemp™** system

ensures the temperature is always accurate.



**Warming zone**

Keep food warm and ready to enjoy with this new fifth element, conveniently placed in the rear center of the cooktop.



**Self-clean heavy-duty oven racks**

Clean your oven and the racks! Made from the same material as the oven interior, these new racks can remain in the oven during the self-clean mode.



**Big ClearView™ window**

Now you don't have to open the oven door to check the progress of your food. The new window is extra-large and see-through.



**Capacity**

The extra-large capacity oven, featuring six adjustable rack positions, gives you the flexibility to cook more at once.

Not all features available on all models.





GEAppliances.com

Refrigeration

Free-Standing Electric Ranges

Microwave Ovens

Dishwashers

Clothes Care

Air Conditioning





## GE Spectra™ Electric Ranges

### Ceramic-glass cooktop.

#### Responsive.

GE electric ranges have convenient features to help you cook quickly and coordinate with ease. The new warming zone adds a fifth element to the center of the cooktop, so you can keep foods warm and ready to serve. Add the bridge element, the dual 6"/9" element and you have a cooktop rich in features made to fit your lifestyle.

#### Attractive and practical.

When it comes to impressive style and the ability to clean with ease, GE has it all. The new control panel has a redesigned appearance that is elegant and attractive. It features smooth, glass-touch controls that are easier to wipe clean. You also have expanded "true" color choices for the cooktop—a graceful touch to any kitchen.



*The oven is self-cleaning, of course. But for most families, 80% of the cooking is done on the cooktop. You can see in a glance just how easy it is to wipe the smooth ceramic-glass cooktop clean.*

### Clean-Well™ cooktop

#### Exclusive design.

The Clean-Well cooktop is yet another GE innovation. It consists of two layers, including the cooking surface and a subtop. The surface is designed to contain most spills before they reach the subtop. High rims around the Calrod® elements catch spills, and the one-piece drip bowls are easily removed.

#### Sturdy and convenient.

The exterior cooktop is supported by a torsion bar and dual-support rods. To access the recessed subtop, all you have to do is lift and lock the cooktop into place. It's that simple.



*The porcelain-enameled subtop is designed with special containment wells for easy cleanup. Wires have been thoughtfully positioned under the edge of the cooktop so they never interfere with cleaning.*

Not all features available on all models.







GEAppliances.com

Refrigeration

## True European convection capability lets you cook bigger and better.



Our convection ranges deliver “true European convection” cooking by means of a third dual-loop heating element located in the back wall. A fan evenly circulates air throughout the oven cavity. This process delivers uniform, savory results.



**Superior roasting.**  
Convection cooking has long been praised by professional chefs and bakers. And it’s no wonder. Roasting time is reduced, with more consistent results.



**Perfect baking.**  
GE convection ovens also deliver exceptional baking results. They bake desserts and breads at an ideal temperature (approximately 25° lower than a conventional oven).

Free-Standing Electric Ranges

Microwave Ovens

## A simple guide to GE’s QuickSet oven controls



### QuickSet II

- Dual element bake • Digital temperature display with recall • Oven preheat light
- Electronic digital clock • Electronic reminder timer, up to 12 hours • Audible preheat signal • 12-Hour automatic oven shut-off • Self-clean countdown digital display, including cool down • Auto self-clean



### QuickSet III

Same as QuickSet II, plus:

- Automatic oven control • Delay bake • Delay self-clean
- Adjustable self-clean cycle time



### QuickSet IV

Same as QuickSet III, plus:

- Auto self-clean • All touch pad control • Large digital temperature display • Variable broil



### QuickSet V

Same as QuickSet IV, plus:

- Convection bake/roast • Temperature probe • Extra-large graphics and touch pads • Digital glass touch pad control (0-9) entry • Oven function icons

Dishwashers

Clothes Care

Air Conditioning



## CleanDesign: Convection

**These models include** • The most dependable ranges you can buy! • Super-large 4.5 cu. ft. capacity oven • TrueTemp™ system • **True European convection oven with dedicated third, dual-loop heating element** • **Convection Bake** • **Convection Roast** • Warming zone • Dual element bake • Six-pass power bake element • SmartLogic™ electronic control • Certified Sabbath mode • Electronic digital clock and oven controls • Easy-view hot lights • One-piece upswept cooktop • New ceramic-glass cooktop • Automatic self-clean oven latch • **Three oven racks, one off-set** • Automatic oven light/pad • Big ClearView™ window • Storage drawer • Four leveling legs

**Note: bold = feature upgrade from previous model**



True European convection delivers consistent heat, cooking foods to absolute perfection.



A simple switch bridges two elements into one large cooking surface.



Self-clean heavy-duty oven racks are designed for hands free cleaning.



CleanDesign oven interior has a smooth seamless surface, making cleanup easier than ever.

Not all features available on all models. For additional features, specifications and color availability, refer to pages 206-207.

90



### GE Profile™

30" Free-Standing Spectra™ Convection Range

**JBP95SF** Stainless steel

• **CleanDesign oven interior** • **QuickSet V with glass touch controls** (see page 89) • **Self-clean heavy-duty oven racks** • Middle rear 6" warming zone • **Automatic meat thermometer** • **Two 7" ribbon heating elements with connecting bridge element** • One dual 6"/9" and one 6" ribbon heating element • Stainless steel oven door with Sure Grip handle



### GE Profile

30" Free-Standing Spectra Convection Range

**JBP95TF** True white

• Frameless glass oven door with Sure Grip handle

**JBP95KF** True bisque (not shown)

**JBP95BF** Black on black (not shown)



GEAppliances.com

Refrigeration

Free-Standing Electric Ranges

Microwave Ovens

Dishwashers

Clothes Care

Air Conditioning



**GE Profile**  
 30" Free-Standing Spectra Convection Range  
**JBP90SF** Stainless steel

- QuickSet V oven controls (see page 89)
- Middle rear 6" warming zone • One dual 6"/9", one 8", and two 6" ribbon heating elements
- Stainless steel oven door with Sure Grip handle



The smooth, redesigned panel features easy-to-clean glass touch controls.



The most accurate oven in America! The TrueTemp system delivers better oven accuracy.



**GE Profile**  
 30" Free-Standing Spectra Convection Range

- JBP90KF** True bisque
- Frameless glass oven door with Sure Grip handle
- JBP90TF** True white (not shown)
- JBP90BF** Black on black (not shown)



Sabbath mode allows cooked foods to be kept warm on the Jewish Sabbath, in accordance with Kosher law.



## CleanDesign

**These models include** • The most dependable ranges you can buy! • Super-large 5.0 cu. ft. capacity oven • TrueTemp™ system • Self-clean oven • **Warming zone** • Dual element bake • Six-pass power bake element • SmartLogic™ electronic control • **QuickSet IV oven controls** (see page 89) • **Certified Sabbath mode** • **Electronic digital clock and oven controls** • Easy-view hot lights • One-piece upswept cooktop • New ceramic-glass cooktop • Automatic oven light • **Big ClearView™ window** • Storage drawer • Leveling legs

Note: bold = feature upgrade from previous model



A simple switch bridges two elements into one large cooking surface.



This warming zone has three levels to help keep foods warm and ready to serve.



The Big ClearView window helps you see cooking food clearly and easily.



More cooking capacity gives you the ability to cook more at once.



GE®  
30" Free-Standing Spectra™ Electric Range  
**JBP82SF** Stainless steel  
• Two 7" ribbon heating elements with connecting bridge element • One dual 6"/9" and one 6" ribbon heating element • Middle rear 6" warming zone • **Stainless steel oven door with designer-style handle** • Automatic self-clean oven latch



GE  
30" Free-Standing Spectra Electric Range  
**JBP82BF** Black on black  
• Frameless glass oven door with designer-style handle  
**JBP82TF** True white (not shown)  
**JBP82WF** White on white (not shown)  
**JBP82KF** True bisque (not shown)  
**JBP82CF** Bisque on bisque (not shown)

Not all features available on all models.  
For additional features, specifications and color availability, refer to pages 206-207.



GEAppliances.com



GE  
 30" Free-Standing Spectra Electric Range  
**JBP80SF** Stainless color  
 • One 8" and two 6", and one dual 6"/9" ribbon heating element • Middle rear 6" warming zone • Stainless color oven door with designer-style handle



The most accurate oven in America. The TrueTemp system delivers better oven accuracy.



Sabbath mode allows cooked foods to be kept warm on the Jewish Sabbath, in accordance with Kosher law.



GE  
 30" Free-Standing Spectra Electric Range  
**JBP80TF** True white  
 • Frameless glass oven door with designer-style handle  
**JBP80WF** White on white (not shown)  
**JBP80KF** True bisque (not shown)  
**JBP80CF** Bisque on bisque (not shown)  
**JBP80BF** Black on black (not shown)

Refrigeration

Free-Standing Electric Ranges

Microwave Ovens

Dishwashers

Clothes Care

Air Conditioning



## CleanDesign

**These models include** • The most dependable ranges you can buy! • Super-large 5.0 cu. ft. capacity oven • Self-clean oven • Dual element bake • **Two 8" and two 6" ribbon heating elements** • One-piece upswept cooktop • **Patterned ceramic-glass cooktop** • **Easy-view hot lights** • Frameless glass oven door with designer-style handle • Storage drawer • Four leveling legs **Note: bold = feature upgrade from previous model**



More cooking capacity gives you the ability to cook more at once.



The most accurate oven in America. The TrueTemp system delivers better oven accuracy.



Six-pass power bake provides more power, total coverage and even cooking.



### GE 30" Free-Standing Spectra Electric Range

**JBP66WB** White on white  
• **TrueTemp system** • **QuickSet III oven controls** (see page 89) • Six-pass power bake element • Standard window  
**JBP66CB** Bisque on bisque (not shown)  
**JBP66BB** White or Bisque (not shown)



### GE 30" Free-Standing Electric Range

**JBP68WD** White on white  
• **QuickSet II oven controls** (see page 89)  
• **Big View window**  
**JBP68CD** Bisque on bisque (not shown)

Not all features available on all models.  
For additional features, specifications and color availability, refer to pages 206-207.



GEAppliances.com



GE  
 30" Free-Standing Electric Range  
**JBP64WB** White on white  
 • QuickSet II oven controls (see page 89)  
**JBP64BB** White or Bisque (not shown)



Dual element bake for even baking and roasting.



Ribbon elements respond promptly and direct heat straight up, so cooking utensils are heated quickly and evenly.



GE  
 30" Free-Standing Electric Range  
**JBP61BD** White  
 • QuickSet II oven controls (see page 87)  
 • Standard window • Interior oven light switch



GE  
 30" Free-Standing Electric Range  
**JBP60BC** White  
 • QuickSet I oven controls

### Accessory Information

For easy cleaning of the cooktop, GE provides one cleaning pad and one 2.5-oz. bottle of cleaning creme with each range. For additional supply, call toll-free 1-800-626-2002.

Refrigeration

Free-Standing Electric Ranges

Microwave Ovens

Dishwashers

Clothes Care

Air Conditioning



## QuickClean™ Self-Clean

**These models include** • The most dependable ranges you can buy! • Super-large 5.0 cu. ft. capacity oven • **Self-clean oven** • Dual element bake • Frameless glass oven door • Designer-style handle • CleanWell™ cooktop system • Lift-up cooktop • Plug-in Calrod® heating elements, two 8" and two 6" • Heating element "ON" indicator lights • **Auto oven shut-off with override** • Removable full-width storage drawer • Four leveling legs • Removable one-piece drip bowls **Note: bold = feature upgrade from previous model**



More cooking capacity gives you the ability to cook more at once.



The most accurate oven in America. The TrueTemp system delivers better oven accuracy.



Six-pass power bake provides more power, total coverage and even cooking.



Clean-Well cooktop system contains spills so clean-up is simple.



### GE Profile™ 30" Free-Standing Spectra™ Electric Range

**JBP48BB** Black on black  
• TrueTemp™ system • SmartLogic™ electronic controls • Six-pass power bake element • **Right rear 6" element with warming zone** • Big View window • **QuickSet IV oven controls (see page 89)** • **Sure Grip handle** • **Automatic interior oven light**  
**JBP48WB** White on white (not shown)  
**JBP48CB** Bisque on bisque (not shown)



### GE® 30" Free-Standing Spectra Electric Range

**JBP35WB** White on white  
• TrueTemp system • SmartLogic electronic controls • Six-pass power bake element • **Big View window** • **QuickSet III oven controls (see page 89)** • Interior oven light switch • **Certified Sabbath mode**  
**JBP35CD** Bisque on bisque (not shown)  
**JBP35ED** Black on black (not shown)  
**JBP35BB** White or Bisque (not shown)

Not all features available on all models. For additional features, specifications and color availability, refer to pages 208-209.





GEAppliances.com



GE  
30" Free-Standing Spectra  
Electric Range

**JBP30WB** White on white  
• TrueTemp system • SmartLogic electronic controls • Six-pass power bake element • QuickSet III oven controls (see page 89) • **Deluxe Calrod heating elements** • **Porcelain drip bowls** • Interior oven light switch

**JBP30CB** Bisque on bisque (not shown)

**JBP30BB** White or Bisque (not shown)



Calrod heating elements provide even heat distribution for better cooking performance.



Lift-up cooktop locks into place for easy cleaning.

Refrigeration

Free-Standing Electric Ranges

Microwave Ovens

Dishwashers

Clothes Care

Air Conditioning



GE  
30" Free-Standing Electric Range

**JBP24BB** White or Bisque  
• **Standard window** • QuickSet II oven controls (see page 89) • Interior oven light switch

**JBP24WB** White on white (not shown)



## QuickClean™ Standard-Clean

**These models include** • The most dependable ranges you can buy! • Clean-Well™ cooktop system • Heating element "ON" indicator light • Removable full-width storage drawer • Four leveling legs • Removable one-piece chrome drip bowls • Standard-clean oven

Note: bold = feature upgrade from previous model



Lift-up cooktop locks into place for easy cleaning.



Clean-Well cooktop system contains spills so clean-up is simple.



Calrod heating elements provide even heat distribution for better cooking performance.



GE®  
30" Free-Standing Electric Range  
**JBS27BC** White or Bisque  
• Super-large 5.0 cu. ft. capacity oven • **Lift-up cooktop** • **Plug-in Calrod® heating elements, two 8" and two 6"** • Electronic digital clock and minute timer • Designer-style handle  
• Interior oven light switch  
**JBS27WC** White on white (not shown)  
**JBS27CC** Bisque on bisque (not shown)



GE  
30" Free-Standing Electric Range  
**JBS26C** White or Bisque  
• Super-large 5.0 cu. ft. capacity oven  
• Plug-in Calrod heating elements, two 8" and two 6" • **Electronic digital clock and minute timer** • Color-matched oven door with window • Designer-style handle  
• Interior oven light switch



GE  
30" Free-Standing Electric Range  
**JBS07C** White on white  
• **Super-large 5.0 cu. ft. capacity oven**  
• Plug-in Calrod heating elements, one 8" and three 6" • Oven door with window  
• **Designer-style handle** • Interior oven light switch

Not all features available on all models. For additional features, specifications and color availability, refer to pages 208-209.



GEAppliances.com



GE  
30" Free-Standing Electric Range  
**JBS05Y** White or Almond  
• 3.5 cu. ft. capacity oven • Upfront controls  
• Plug-in heating elements, one 8" and three 6"  
• **Color-matched oven door with window** • Chrome visor handle • **Interior oven light switch**  
(Does not have Clean-Well cooktop system)



GE  
30" Free-Standing Electric Range  
**JBS03BC** White or Bisque  
• Super-large 5.0 cu. ft. capacity oven • Plug-in Calrod heating elements, one 8" and three 6" • **Frameless solid black glass oven door** • **Designer-style handle**  
**JBS03C** White, Bisque or Almond (not shown)  
• Solid color-matched oven door • Chrome visor handle

## 40" Self-Clean & Standard-Clean

**These models include** • Storage drawer • Lift-off oven door with window • Interior oven light • Two 6" and two 8" heating elements

Note: bold = feature upgrade from previous model



Easy-to-use electronic controls provide cooking convenience.



GE  
40" Free-Standing Electric Range  
**JCP67Y** White on white  
• **Self-clean master oven** • **Standard-clean companion oven** • Electronic clock and automatic master oven timer  
**JCS57Y** White on white (not shown)  
• Standard-clean oven • Companion storage compartment with shelf  
• Electronic clock and timer

Refrigeration

Free-Standing Electric Ranges

Microwave Ovens

Dishwashers

Clothes Care

Air Conditioning





GE gas ranges rise to the occasion, no matter what's on the menu.

GE Profile Spectra™ gas ranges give you the room and power you need to

create inspired meals. These ranges

feature a large-capacity oven, so

you no longer have to take an a la carte

approach to cooking. They also include

a couple of convenient warming

options and convection capability.

And you'll be pleased to know that you can

enjoy the superior performance

of gas, as well as easy cleanup.

Designed with a smooth surface and

continuous cast-iron grates,

Spectra gas ranges offer the best

of both worlds.

**Warming drawer**

The warming drawer lets you prepare side dishes at your own pace. Conveniently located under the oven, this drawer keeps food warm until serving.



**Smooth cooktop**

This revolutionary cooktop eliminates the burner bowls and drip pans typically found on conventional gas ranges. Instead, the burners are sealed onto the cooktop, making cleanup a breeze.



**Warming options**

A warming zone and warming drawer save you the trouble of carefully orchestrating meals. These convenient options let you keep just about any dish warm and ready to enjoy.



**Convection/gas ranges—GE's first!**

These ranges utilize an innovative, two-speed convection system that works in conjunction with our TrueTemp™ system to deliver sumptuous baking and roasting results.



Not all features available on all models.





GEAppliances.com

Refrigeration

Free-Standing Gas Ranges

Microwave Ovens

Dishwashers

Clothes Care

Air Conditioning



## Self-Clean: Sealed Burners

**These models include** • The most dependable ranges you can buy! • TrueTemp™ system • **Warming drawer** • SmartLogic™ electronic control • Extra-large self-clean oven • Electronic clock and automatic oven timer • Sealed burners • **Precise Simmer burner** • **Two Maximum Output burners** • **Three oven racks** • Six embossed rack positions • In-oven broiling • Extra-large broiler pan with grid • Interior oven light • Electronic pilotless ignition **Note: bold = feature upgrade from previous model**



The revolutionary smooth cooktop—changing the way you cook with gas.



The warming zone is a great way to keep food warm and ready to enjoy.



Convection gas ovens—GE's first.



TrueTemp system. "The Most Accurate Oven in America."\*

\*Among leading manufacturers' brands. Not all features available on all models. For additional features, specifications and color availability, refer to page 210.

102



### GE Profile Performance™ 30" Free-Standing Spectra Convection Gas Range with Warming Drawer

**JGB920KEC** True bisque  
• Smooth ceramic-glass cooktop with warming zone  
• Warming zone hot light • Scratch-resistant glass backguard • QuickSet V glass touch oven controls with digipad entry; convection conversion; auto oven shut-off with override; start pad; delay clean option and self-clean cool down time display • Automatic self-clean lock • Two-speed convection oven  
• Convection Bake • Convection Roast • Frameless glass oven door with Big View window • Sure Grip handle • Designer-style control knobs • Automatic meat thermometer • **Certified Sabbath mode**  
• **Dishwasher-safe grates** • Stainless steel insert included with warming drawer

**JGB920SEC** Stainless steel (not shown)

**JGB920TEC** True white (not shown)

**JGB920BEC** Black on black (not shown)



### GE Profile Performance™ 30" Free-Standing Spectra Convection Gas Range with Warming Drawer

**JGB910BEC** Black on black  
• QuickSet V glass touch oven controls with digipad entry; **convection conversion**; auto oven shut-off with override; start pad; delay clean option and self-clean cool down time display • Automatic self-clean lock  
• **Two-speed convection oven** • **Convection Bake** • **Convection Roast** • Frameless glass oven door with Big View window • Sure Grip handle • Designer-style control knobs • One-piece upswept porcelain-enameled cooktop • One-piece drip pans • Automatic meat thermometer • **Stainless steel insert included with warming drawer**

**JGB910SEC** Stainless steel (not shown)

**JGB910WEC** White on white (not shown)

**JGB910CEC** Bisque on bisque (not shown)



### GE Profile™ 30" Free-Standing Spectra Commercial-Style Gas Range with Warming Drawer

**JGBP90MEB** Soft stainless  
• QuickSet V oven controls with digipad entry; auto oven shut-off with override; start pad; delay clean option and self-clean cool down time display  
• Automatic self-clean lock • **Soft stainless oven door with Big View window** • **Professional-style handle and control knobs** • One-piece upswept porcelain-enameled cooktop • Professional cooktop grates with rubber feet • Continuous grate surface  
• One-piece drip pans



GEAppliances.com

Refrigeration

Free-Standing Gas Ranges

Microwave Ovens

Dishwashers

Clothes Care

Air Conditioning



**GE Profile**  
*30" Free-Standing Spectra Gas Range with Warming Drawer*

- JGBP86WEB** White on white
- Scratch-resistant glass backguard
  - QuickSet V oven controls with digipad entry; auto oven shut-off with override; start pad; delay clean option and self-clean cool down time display • Automatic self-clean lock
  - Fluorescent cooktop light • Frameless glass oven door with Big View window
  - Sure Grip handle • Designer-style control knobs • One-piece upswept porcelain-enameled cooktop • **Professional extra-large cast-iron grates** • **Continuous grate surface**
  - One-piece drip pans
- JGBP86CEB** Bisque on bisque (not shown)
- JGBP86BEB** Black on black (not shown)



Sealed burner design helps contain spills from dripping beneath cooktop for easy clean-up.



Precise Simmer burner with 600 BTUs allows for low, even heat distribution for delicate foods and sauces.



Maximum Output burners, with 12,000 BTUs, provide maximum output for fast heat-up and boiling.



**GE Profile**  
*30" Free-Standing Spectra Gas Range with Warming Drawer*

- JGBP85BEB** Black on black
- Scratch-resistant glass backguard • **QuickSet V oven controls with digipad entry; auto oven shut-off with override; start pad; delay clean option and self-clean cool down time display • Automatic self-clean lock**
  - Fluorescent cooktop light • Frameless glass oven door with Big View window • Sure Grip handle
  - Designer-style control knobs • One-piece upswept porcelain-enameled cooktop • Square heavy-cast grates with rubber feet • One-piece drip pans
- JGBP85WEB** White on white (not shown)
- JGBP85CEB** Bisque on bisque (not shown)



**GE Profile**  
*30" Free-Standing Spectra Gas Range with Warming Drawer*

- JGBP79CEB** Bisque on bisque
- QuickSet IV oven controls with digital temperature display; auto oven shut-off with override; start pad; delay clean option; self-clean cool down time display and control lock capability • Scratch-resistant porcelain-enameled backguard • Glass oven door with Big View window • **Sure Grip handle** • Designer-style control knobs • One-piece upswept porcelain-enameled cooktop • **Square heavy-cast grates with rubber feet** • One-piece drip pans
- JGBP79MEF** Soft stainless (not shown)
- JGBP79WEB** White on white (not shown)
- JGBP79BEB** Black on black (not shown)



## Self-Clean: Sealed Burners

**These models include** • The most dependable ranges you can buy! • Extra-large self-clean oven • Six embossed rack positions • QuickSet oven controls • **Sealed burners** • Electronic pilotless ignition • One-piece, upswept porcelain-enameled cooktop • Frameless glass oven door • Designer-style handle • In-oven broiling • Extra-large broiler pan • Two oven racks • Interior oven light

Note: bold = feature upgrade from previous model



GE®  
30" Free-Standing  
Spectra™ Gas Range

**JGBP35WEA** White on white  
• TrueTemp™ system • SmartLogic™ electronic control • **QuickSet IV oven controls with digital temperature display; auto oven shut-off with override; start pad; delay clean option; self-clean cool down time display; and control lock capability** • Hi/Low broil • Precise Simmer burner • Maximum Output burner • Big View window • Storage drawer • **Grey medium-cast square grates** • Grey porcelain-enameled drip pans

**JGBP35CEA** Bisque on bisque (not shown)

**JGBP35BEA** Black on black (not shown)



GE  
30" Free-Standing  
Spectra Gas Range

**JGBP30WEA** White on white  
• TrueTemp system • SmartLogic™ electronic control • QuickSet III oven controls with digital temperature display; auto oven shut-off and audible preheat signal • Certified Sabbath mode • Precise Simmer burner • Maximum Output burner • Big View window • Storage drawer • Grey deluxe porcelain-steel square grates • Grey porcelain-enameled drip pans

**JGBP30CEA** Bisque on bisque (not shown)



GE  
30" Free-Standing  
Spectra Gas Range

**JGBP30BEA** White or Bisque  
• TrueTemp system • SmartLogic™ electronic control • **QuickSet III oven controls with digital temperature display; auto oven shut-off and audible preheat signal** • Certified Sabbath mode • **Precise Simmer burner • Maximum Output burner • Big View window • Storage drawer • Black deluxe porcelain-steel square grates • Black porcelain-enameled drip pans**



GE  
30" Free-Standing Spectra Gas Range

**JGBP28BEA** White or Bisque  
• QuickSet II oven controls with digital temperature display; auto oven shut-off and audible preheat signal • Certified Sabbath mode • Storage drawer • Black standard porcelain-steel square grates • Frameless black glass oven door with window

**JGBP28WEA** White on white (not shown)

Not all features available on all models.  
For additional features, specifications and color availability, refer to page 211.





## Self-Clean: Standard Burners

**These models include** • The most dependable ranges you can buy! • Extra-large self-clean oven • Six embossed rack positions

- Electronic pilotless ignition • **QuickSet oven controls** • Frameless glass oven door with designer-style handle • Lift-up cooktop • Square, standard porcelain-steel grates • One-piece, porcelain-enameled cooktop and subtop • In-oven broiling • Extra-large broiler pan with grid
- Two oven racks • **Interior oven light** Note: bold = feature upgrade from previous model



Largest\* usable oven capacity has room enough for cooking an entire meal.



Sixth embossed rack position increases cooking flexibility.



GE  
30" Free-Standing Gas Range  
**JGBP26BEA** White or Bisque

- TrueTemp system • SmartLogic™ electronic control • QuickSet III oven controls with digital temperature display; delay bake option; auto oven shut-off and audible preheat signal
- Certified Sabbath mode • Black porcelain-enameled drip pans • Frameless black glass oven door with window • Storage drawer

**JGBP26WEA** White on white (not shown)  
**JGBP26CEA** Bisque on bisque (not shown)



GE  
30" Free-Standing Gas Range  
**JGBP24BEA** White or Bisque

- QuickSet II oven controls with digital temperature display; auto oven shut-off and audible preheat signal • **Certified Sabbath mode**

Refrigeration

Free-Standing Gas Ranges

Microwave Ovens

Dishwashers

Clothes Care

Air Conditioning

\*Among leading manufacturers' brands.  
Not all features available on all models.  
For additional features, specifications and color availability, refer to page 211.



## Standard-Clean: Sealed Burners

**These models include** • The most dependable ranges you can buy! • Extra-large standard-clean oven • Six embossed rack positions • Electronic clock and timer • **Sealed burners** • Porcelain-steel square grates • Electronic pilotless ignition • One-piece, upswept porcelain-enameled cooktop • Slide-out broiler drawer • Extra-large broiler pan with grid **Note: bold = feature upgrade from previous model**



**ONLY GE HAS IT!**

Largest\* usable oven capacity has room enough for cooking an entire meal.



Sealed burner design helps contain spills from dripping beneath cooktop for easy cleanup.



Sixth embossed rack position increases cooking flexibility.



GE®  
30" Free-Standing Gas Range

**JGBS23WEA** White on white

• **Frameless white glass oven door with Big View window** • Designer-style handle

• **Precise Simmer burner** • **Maximum Output burner** • **Grey porcelain-enameled drip pans** • Interior oven light

**JGBS23CEA** Bisque on bisque (not shown)

• Taupe porcelain-enameled drip pans

**JGBS23DEF** Black on black (not shown)

• Black porcelain-enameled drip pans



GE  
30" Free-Standing Gas Range

**JGBS23BEA** White or Bisque

• Black porcelain-enameled drip pans



GE  
30" Free-Standing Gas Range

**JGBS22BEA** White or Bisque

• **Frameless black glass oven door with window** • **Designer-style handle** • Interior oven light

\*Among leading manufacturers' brands.  
Not all features available on all models.  
For additional features, specifications and color availability, refer to page 212.



## Continuous- & Standard-Clean: Standard Burners

**These models include** • The most dependable ranges you can buy! • Six embossed rack positions • Electronic pilotless ignition • Lift-up cooktop • Square, standard porcelain-steel grates • Porcelain-enameled cooktop • Easy-clean porcelain-enameled subtop • Slide-out broiler drawer • Extra-large broiler pan with grid • Two oven racks • Interior oven light **Note: bold = feature upgrade from previous model**



GE  
30" Free-Standing Gas Range  
**JGBC20BEA** White or Bisque  
• Extra-large continuous-clean oven  
• Electronic clock and timer • **Frameless black glass oven door with window**  
• Designer-style handle • One-piece upswept cooktop  
**JGBC20WEA** White on white (not shown)  
**JGBS20BEA** White or Almond (not shown)  
• Extra-large standard-clean oven  
**JGBS20WEA** White on white (not shown)  
• Extra-large standard-clean oven



GE  
30" Free-Standing Gas Range  
**JGBS17PEA** White or Bisque  
• **Extra-large standard-clean oven**  
• **Electronic clock and timer** • White porcelain-enameled oven door • **Designer-style handle** • **One-piece upswept cooktop**



GE  
30" Free-Standing Gas Range  
**JGBS07PEA** White on white  
• Extra-large standard-clean oven  
• **White porcelain-enameled oven door with designer-style handle** • **Standard window** • **Interior oven light**



GE  
30" Free-Standing Gas Range  
**JGBS04BEA** White or Bisque  
• **Frameless solid black glass oven door**  
• **Designer-style handle** • **Extra-large standard-clean oven** • **Black standard porcelain grates**  
**JGBS04BPA** White or Bisque (not shown)  
• Standing pilot ignition  
**JGBS04PEA** White or Bisque (not shown)  
• Solid porcelain-enameled oven door with chrome visor handle  
**JGBS04PPA** White or Bisque (not shown)  
• Standing pilot ignition



GE  
30" Free-Standing Gas Range  
**JGBS03PPA** White or Almond  
• Solid porcelain-enameled oven door  
• Chrome visor handle • Standing pilot ignition • Drop-down broiler drawer

Not all features available on all models.  
For additional features, specifications and color availability, refer to page 212.

Refrigeration

Free-Standing Gas Ranges

Microwave Ovens

Dishwashers

Clothes Care

Air Conditioning





## Venting Options

### Slide-Out Hoods

**These models include** • See-through glass visor slides in and out • 300-CFM performance with variable-speed fan control • Auto heat sensor  
• Compact housing leaves ample shelf space behind cabinet doors • Vertical exhaust with 3-1/4" x 10" rectangular duct • Cooktop light



#### *GE Profile™*

##### *36" Slide-Out Hood*

**JV960SC** Brushed aluminum

##### *30" Slide-Out Hood*

**JV930SC** Brushed aluminum (not shown)



#### *GE Profile*

##### *36" Slide-Out Hoods*

**JV696S** Bisque on bisque

**JV695S** White on white (not shown)

**JV694S** Black on black (not shown)

##### *30" Slide-Out Hoods*

**JV396S** Bisque on bisque (not shown)

**JV395S** White on white (not shown)

**JV394S** Black on black (not shown)

Not all features available on all models.  
For additional features, specifications and  
color availability, refer to page 214.





## Designer Hoods

**These models include** • Four-speed fan control • Two halogen cooktop lights (20 watts each) • Night light setting • Vertical exhaust (600-CFM) • Seven Sones rating • 7" round duct



*GE Profile*  
*36" Designer Hood*  
**JV966DSS** Stainless steel



*GE Profile*  
*36" Designer Hood*  
**JV965DCC** Bisque on bisque  
**JV965DWW** White on white (not shown)  
**JV965DBB** Black on black (not shown)



*GE Profile*  
*30" Designer Hood*  
**JV936DSS** Stainless Steel



*GE Profile*  
*30" Designer Hood*  
**JV935DBB** Black on black  
**JV935DWW** White on white (not shown)  
**JV935DCC** Bisque on bisque (not shown)

Not all features available on all models.  
For additional features, specifications and color availability, refer to page 213.

Refrigeration

Venting Options

Microwave Ovens

Dishwashers

Clothes Care

Air Conditioning





## Venting Options (continued)

### Telescopic Downdraft Systems

**These models include** • 500-CFM performance • Variable-speed fan control • Raises to 7" over cooktop surface • Retracts when not in use  
• Ideal for island or peninsula installations • 3-1/4" x 10" rectangular duct



Raise/lower vent switch provides convenience of operation.



**GE Profile™**  
*Telescopic Downdraft Systems*  
**JVB96SA** Stainless steel  
• 36" width  
**JVB93SA** Stainless steel  
(not shown) • 30" width

Note: Approved for use with all GE Profile and GE electric and sealed burner gas cooktops. Not approved for use with standard burner gas cooktops.

**These models include** • 350-CFM performance • Upfront variable-speed fan with slide control • Raises to 8-3/4" over cooktop surface  
• Retracts when not in use • Ideal for island or peninsula installations • Use optional GE accessory cover (JXBC57) for outdoor installation of blower or the indoor blower mounting kit (JXRB57) for indoor remote mounting of the blower **Note: bold = feature upgrade from previous model**



Separate remote switch to raise/lower vent provides installation flexibility and convenience of operation (only available on JVB67).

Note: Approved for use with all GE Profile and GE electric and sealed burner gas cooktops. Not approved for use with standard burner gas cooktops.



**GE Profile**  
*Telescopic Downdraft Systems*  
**JVB67AWW**  
White on white  
• 36" width • **Separate remote switch to raise/lower vent**  
**JVB67ACC**  
Bisque on bisque  
(not shown)  
**JVB67ABB**  
Black on black (not shown)



**GE Profile**  
*Telescopic Downdraft Systems*  
**JVB37ABB**  
Black on black  
• 30" width  
**JVB37AWW**  
White on white  
(not shown)  
**JVB37ACC**  
Bisque on bisque  
(not shown)

**Note: Cooktops sold separately.**

Not all features available on all models. For additional features, specifications and color availability, refer to pages 214-215.





## High-Performance, Performance, Deluxe and Standard Hoods

Note: bold = feature upgrade from previous model



### GE Profile

#### High-Performance Hood

**JV666C** Stainless steel

• 36" width • Three-speed fan control plus boost • Two halogen cooktop lights (50 watts each) • Night light setting • Vertical or rear exhaust (350/400-CFM) • 3-1/4" x 10" rectangular duct (convertible to 7" round duct)

**JV665C** White on white or Black on black (not shown)



### GE Profile

#### High-Performance Hood

**JV635C** White on white (shown) or Black on black

• 30" width • Three-speed fan control plus boost • Two halogen cooktop lights (50 watts each) • Night light setting • **Vertical or rear exhaust (350/400-CFM)** • 3-1/4" x 10" rectangular duct (convertible to 7" round duct)

**JV636C** Stainless steel (not shown)



### GE Profile

#### Performance Hoods

**JV565C** White on white (shown), Bisque on bisque or Black on black • 36" width • **Two-speed fan control • 200-CFM (max.) • Two halogen cooktop lights (50 watts each)** • Convertible exhaust options (7" round, rectangular or non-vented) • Rectangular damper included

**JV566C** Stainless steel (not shown)

**JV535C** White on white, Bisque on bisque, or Black on black (not shown) • 30" width

**JV536C** Stainless steel (not shown)

JXDA23 round damper accessory, available at additional cost (Models JV666/665/636/635/566/565/536/535).



### GE Deluxe Hood

**JV347X** White on white (shown), Bisque on bisque, Almond on almond or Black on black

• 30" width • **Rotary control • Three-speed fan • Cooktop light with night light setting • Light cover • Convertible exhaust (shipped in non-vented configuration, convertible to 7" or rectangular exhaust)** • Rectangular damper included



### GE Standard Hoods

**JV327X** White (shown), Bisque or Almond • 30" width • 7" round duct • Easy-to-use rocker switches • Two-speed fan • Cooktop light

**JV337X** White, Bisque or Almond (not shown) • 3-1/4" x 10" rectangular duct • Rectangular damper included

**JN327X** White, Bisque or Almond (not shown) • Non-vented

JXDA22 round damper accessory, available at additional cost (Models JV347/337).

JXHCl cord kit allows a receptacle in the cabinet over the range to accommodate either an over-the-range microwave oven or a standard hood.

Light bulbs not included.

Not all features available on all models. For additional features, specifications and color availability, refer to page 216.

Refrigeration

Venting Options

Microwave Ovens

Dishwashers

Clothes Care

Air Conditioning





## The Original Spacemaker®

Since its introduction in 1979, the GE Spacemaker microwave oven has been an indispensable part of the American kitchen.

Today, its role is **bigger** than ever.

With roomy interiors and multiple baking racks, our **award-winning** microwave ovens hold up to six full-sized plates of food. They're not only bigger—

they're also **better**. Spacemaker microwave ovens deliver **1100 watts** of constant cooking power for even, flavorful results. These ovens also feature improved vortex venting, as well as **brighter** interior and halogen cooktop lighting.

### Exclusive CircuWave™ 1100 cooking system

New CircuWave system delivers 1100 watts of output power to provide a more even distribution of heat, minimizing cold spots. It's our most powerful microwave cooking system, ever!



### Quick Defrost

Convenient setting lets you thaw a pound of ground meat up to 50% faster than our previous models. What used to take 6-1/2 minutes now defrosts in just 3 minutes.



### GE innovation, space-saving design

With so many features, and capabilities, it is easy to see why people are making GE Spacemaker their microwave oven of choice. Ideal as a second oven, these microwaves complete your cooking center.







Refrigeration

Advantium™ Ovens

Microwave Ovens

Dishwashers

Clothes Care

Air Conditioning

JW1860BF  
Spacemaker microwave oven

113





## GE Profile Spacemaker® Ovens with Convection/Microwave Cooking

**These models include** • Combination convection/microwave cooking • Sensor cooking controls • Multiple combination cooking levels • SmartControl system with interactive display • Stainless steel interior • Auto/Time Defrost • Convection rack • Powerful two-speed venting

**Note:** bold = feature upgrade from previous model



The JVM1490 preheats faster than ever before with advanced cooking technology.



User-friendly controls give you access to a variety of programmable options, and the two-line scrolling display guides you through the cooking process.



Convection cooking combined with microwave power (Fast Bake), for cooking results up to 25% faster than conventional ovens.



Convection cooking (Bake) provides a browned, crisp exterior and moist interior.

\*IEC-705 Test Procedure

Not all features available on all models. For additional features, specifications and color availability, refer to page 217.

114



**JVM1490WD** White on white (not shown)  
**JVM1490CD** Bisque on bisque (not shown)  
**JVM1490BD** Black on black (not shown)

### GE Profile Spacemaker Oven

**JVM1490SD** Stainless steel

- 1.4 cu. ft. cavity • 900 watts\* • Fast Bake • Bake • Fast Defrost • Halogen interior lighting
- Halogen cooktop lighting • Two-line scrolling display • Turntable • Easy-to-use dial control
- Bilingual display (English/Spanish)



**JVM1190SY** Stainless steel (not shown)  
**JVM1190BY** Black on black (not shown)

### GE Profile Spacemaker Oven

**JVM1190WY** White on white

- 1.1 cu. ft. cavity • 825 watts\* • Combination bake Hi/Lo
- Convection broil





GEAppliances.com

## GE Profile™ Wall Oven with Convection/Microwave Cooking

**This model includes** • 1.0 cu. ft. cavity • 800 watts\* • Convection cooking • Combination roast (probe) • Combination convection/microwave cooking • Sensor cooking controls • Express Cook



Convection cooking produces golden brown exteriors and moist interiors.



Shown in 30" width

### GE Profile 30" or 27" Convection Microwave Wall Oven

- JEB1095SB** Stainless steel
- JEB1095WB** White on white (not shown)
- JEB1095CB** Bisque on bisque (not shown)
- JEB1095BB** Black on black (not shown)

Convection/Microwave Wall Ovens provide a true built-in appearance. JEB1095 will fit a 27" or 30" cutout. A trim kit (included with all models) enables the unit to be adapted to a 30" width. Available in stainless steel, classic white, bisque and black.

Refrigeration

Advantium™ Ovens

Microwave Ovens

## GE Profile 36" Spacemaker® Microwave Oven with Sensor Cooking

**This model includes** • 1.8 cu. ft. cavity • 1100 watts\* • CircuWave™ 1100 cooking system • **36" width application** • Sensor cooking controls • **Hidden vent for sleek appearance** • Large 14-1/4" recessed turntable • Turntable On/Off • Bright view interior with halogen lamp • Halogen cooktop lighting • Auto, Time and Quick Defrost • Add 30 seconds • Instant On controls • Bilingual display (English/Spanish) • Two-line scrolling display • **Powerful three-speed plus boost 300-CFM 36" vortex venting** • Removable rack • Easy mount installation

Note: bold = feature upgrade from previous model



Sensor controls take the guesswork out of cooking.



Available April 2002



- ### GE Profile 36" Spacemaker
- JVM3660SF** Stainless steel
  - JVM3660BF** Black on black (control panel shown)
  - JVM3660WF** White on white (not shown)
  - JVM3660CF** Bisque on bisque (not shown)

Dishwashers

Clothes Care

Air Conditioning

\*IEC-705 Test Procedure  
Not all features available on all models.  
For additional features, specifications and color availability, refer to pages 218-219.



## GE Profile™ and GE Spacemaker® XL1800 Microwave Ovens

**These models include** • CircuWave™ 1100 cooking system • Large 14-1/4" recessed turntable • **Auto, Time and Quick Defrost** • Add 30 seconds • Instant On controls • **Beeper volume control** • **Bilingual display (English/Spanish)** • **Two-line scrolling display** • **Big view window** • Powerful three-speed plus boost 300-CFM vortex venting • Easy mount installation • Turntable On/Off

**Note: bold = feature upgrade from previous model**



Six-plate capacity with two racks and recessed turntable, holds up to six dinner plates or three 9" x 13" casserole dishes.



Sensor controls take the guesswork out of cooking.



Quick Defrost lets you thaw a pound of ground meat up to 50% faster than our previous models.



*GE Profile  
Spacemaker Sensor Oven*

Available April 2002

**JVM1860BF** Black on black  
• 1.8 cu. ft. cavity • 1100 watts\* • **Hidden vent for sleek appearance** • **Sensor cooking controls** • **Halogen cooktop lighting** • **Two racks—6-dinner-plate capacity**



**JVM1860WF**  
White on white  
(control panel shown)

**JVM1860SF**  
Stainless steel  
(not shown)

**JVM1861SF**  
Stainless steel  
(not shown)

• Non-vented model  
**JVM1860CF**  
Bisque on bisque  
(not shown)



*GE  
Spacemaker Sensor Oven*

Available April 2002

**JVM1850WF** White on white  
• 1.8 cu. ft. cavity • 1100 watts\* • **Sensor cooking controls** • **Removable rack, two positions**



**JVM1850BF**  
Black on black  
(control panel shown)

**JVM1851BF**  
Black on black  
(not shown)

• Non-vented model  
**JVM1851WF**  
White on white  
(not shown)

• Non-vented model  
**JVM1850CF**  
Bisque on bisque  
(not shown)

**JVM1851CF**  
Bisque on bisque  
(not shown)

• Non-vented model

\*IEC-705 Test Procedure

Not all features available on all models.  
For additional features, specifications and  
color availability, refer to page 218.

116



GEAppliances.com



Convenience cooking controls allow you to defrost, cook or reheat at the touch of a pad.



GE Spacemaker Convenience Oven Available April 2002  
**JVM1840BF** Black on black  
• 1.8 cu. ft. cavity • 1100 watts\* • Full-view cooktop lighting  
• Convenience cooking controls • Removable rack



**JVM1840WF** White on white (control panel shown)  
**JVM1840CF** Bisque on bisque (not shown)

Refrigeration

Advantium™ Ovens

Microwave Ovens

## GE Spacemaker Microwave Oven with Sensor/Convenience Cooking

**This model includes** • 1.6 cu. ft. cavity • 1000 watts\* • CircuWave cooking system • **Sensor cooking controls** • Convenience cooking controls • **Turntable On/Off** • Auto/Time Defrost • Help pad • Add 30 seconds • Full-view cooktop lighting • Removable rack • Powerful 300-CFM venting • Easy mount installation **Note: bold = feature upgrade from previous model**



Sensor controls take the guesswork out of cooking.



This powerful 300-CFM-rated venting system will remove smoke and steam from your cooktop.



GE Spacemaker Sensor/Convenience Oven  
**JVM1650WB** White on white



**JVM1650SB** Stainless steel (not shown)  
**JVM1650CB** Bisque on bisque (not shown)  
**JVM1650BB** Black on black (not shown)

Dishwashers

Clothes Care

Air Conditioning

\*IEC-705 Test Procedure  
Not all features available on all models.  
For additional features, specifications and color availability, refer to page 218.



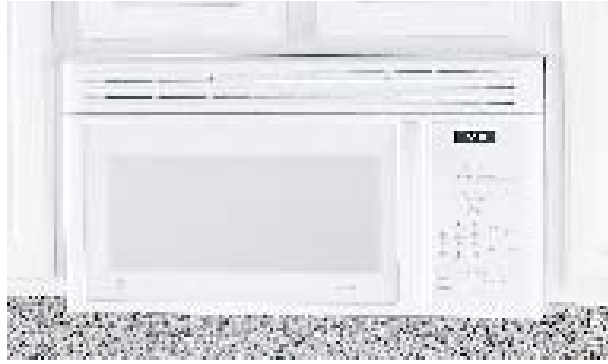


## GE Spacemaker® Microwave Ovens

**These models include** • SmartControl System with interactive display • Convenience cooking controls • Delay Start • Reminder • Auto/Time Defrost • Express Cook • Add 30 seconds • Instant On controls • Timer On/Off • Full-view cooktop lighting • Easy mount installation • Powerful 300-CFM exhaust fan **Note: bold = feature upgrade from previous model**



Auto Defrost option automatically sets time and power level for fast defrosting.



**JVM1640AB**  
Almond on almond  
(not shown)  
**JVM1640BB**  
Black on black  
(not shown)



Convenience cooking controls allow you to defrost, cook or reheat at the touch of a pad.

### GE Spacemaker Convenience Oven

**JVM1640WB** White on white  
• 1.6 cu. ft. oven cavity • 1000 watts\* • CircuWave™ cooking system  
• Turntable On/Off • Beeper volume control • Removable rack



**JVM1440BD**  
Black on black  
(not shown)



Add 30 seconds extends cooking time without the hassle of reprogramming.

### GE Spacemaker Convenience Oven

**JVM1440WD** White on white  
• 1.4 cu. ft. oven cavity • 950 watts\* • CircuWave cooking system  
• Turntable On/Off • Removable rack



This powerful 300-CFM-rated venting system will remove smoke and steam from your cooktop.

\*IEC-705 Test Procedure

Not all features available on all models. For additional features, specifications and color availability, refer to page 218.





GEAppliances.com

## GE Profile Spacemaker® Oven with Convection/Microwave Cooking

**This model includes** • 1.5 cu. ft. oven cavity • 1000 watts\* • Convection and Combination Bake • Easy-to-use dial control • Two-line scrolling display • Sensor cooking controls • Auto/Time Defrost • Timer On/Off • Recessed turntable • Optional trim kit available\*\*

Note: bold = feature upgrade from previous model



Convection cooking produces flavorful and beautifully browned food.



The user-friendly controls give you access to a variety of programmable options.



Model shown with trim kit\*\*



**GE Profile Convection/Microwave Oven**  
**JE1590SC** Stainless steel  
**JE1590WC** White on white (not shown)  
**JE1590CC** Bisque on bisque (not shown)  
**JE1590BC** Black on black (not shown)

Refrigeration

Advantium™ Ovens

Microwave Ovens

## GE Profile Microwave Ovens with Sensor Cooking

**These models include** • Scrolling display • Sensor cooking controls • Auto/Time Defrost • Express Cook • Add 30 seconds • Instant On controls • Timer On/Off • Optional trim kit available\*\* Note: bold = feature upgrade from previous model



Sensor controls take the guesswork out of cooking.



Model shown with trim kit\*\*



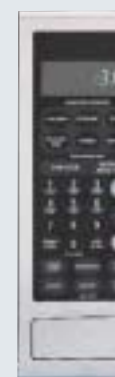
**GE Profile Sensor Oven**  
**JE1860SB** Stainless steel  
• Extra-large 1.8 cu. ft. cavity  
• 1100 watts\* • Turntable On/Off  
**JE1860WB** White on white (not shown)  
**JE1860CB** Bisque on bisque (not shown)  
**JE1860GB** Black with greystone case (not shown)

Dishwashers

Clothes Care



Available May 2002



**GE Profile Sensor Oven**  
**JEM31SF** Stainless steel with greystone case  
• Mid-size 1.0 cu. ft. cavity  
• 800 watts\* • Recessed turntable • Optional under-cabinet mounting kit available†  
**JEM31WF** White on white (not shown)  
**JEM31CF** Bisque on bisque (not shown)  
**JEM31BF** Black with black case (not shown)

Air Conditioning

\*IEC-705 Test Procedure  
\*\*Optional Trim Kit—Custom Trim kits available in both 27" and 30" configurations at an additional cost.  
†Undercabinet mounting kit—Noted microwave ovens can easily be mounted below your cabinetry, freeing up valuable counter space. A mounting template provides all the necessary measurements for installation on practically any wood or metal cabinets.  
Not all features available on all models. For additional features, specifications and color availability, refer to pages 220-221.



## GE® Microwave Ovens with Sensor Cooking

**These models include** • Scrolling display • Sensor cooking controls • Auto/Time Defrost • Express Cook • Add 30 seconds  
 • Instant On controls • Timer On/Off • Turntable **Note: bold = feature upgrade from previous model**



Sensor controls take the guesswork out of cooking.



Scrolling display is easy to read and a helpful cooking guide.



The versatility of a GE microwave fits any consumer's needs. The ability to build into a wall frees up valuable counter space.



GE  
 Sensor Oven  
**JE1660WB** White on white  
 • Full-size 1.6 cu. ft. cavity • 1100 watts\*



**JE1660GB**  
 Black with greystone case (not shown)



GE  
 Sensor Oven  
**JE1460BF** Black on black  
 • Family-size 1.4 cu. ft. cavity • 1150 watts\* • Recessed turntable



**JE1460WF**  
 White on white (not shown)



GE  
 Sensor Oven  
**JE1160WD** White on white  
 • Mid-size 1.1 cu. ft. cavity • 1100 watts\*



**JE1160BD**  
 Black on black (not shown)

\*IEC-705 Test Procedure  
 Not all features available on all models.  
 For additional features, specifications and color availability, refer to page 220.





## GE Microwave Ovens with Convenience Cooking

**These models include** • Convenience cooking controls • Turntable • Auto/Time Defrost • Electronic touch controls • Electronic digital display with clock • Express Cook • Child lockout **Note: bold = feature upgrade from previous model**



GE Convenience Oven  
**JE1840WB** White on white  
• **Extra-large 1.8 cu. ft. cavity** • 1100 watts\* • Optional trim kit available\*\*  
**JE1840GB** Black with greystone case (not shown)

GE Convenience Oven  
**JE1640GB** Black with greystone case  
• **Full-size 1.6 cu. ft. cavity** • 1100 watts\* • **Optional trim kit available\*\***  
**JE1640WB** White on white (not shown)  
**JE1640AB** Almond on almond (not shown)



GE Convenience Oven Available March 2002  
**JE1440BF** Black on black  
• **Family-size 1.4 cu. ft. cavity** • 1150 watts\* • Recessed turntable  
**JE1440WF** White on white (not shown)

GE Convenience Oven  
**JE1140WD** White on white  
• **Mid-size 1.1 cu. ft. cavity** • 1100 watts\*  
**JE1140BD** Black on black (not shown)



GE Convenience Oven  
**JE740WY** White on white  
• **Compact .7 cu. ft. cavity** • 700 watts\* • Electronic digital display with clock • Optional undercabinet mounting kit available†  
**JE740GY** Black with greystone case (not shown)

Not all features available on all models. For additional features, specifications and color availability, refer to pages 220-221.

\*IEC-705 Test Procedure

\*\*Optional Trim Kit—Custom Trim kits available in both 27" and 30" configurations at an additional cost.  
†Undercabinet mounting kit—Noted microwave ovens can easily be mounted below your cabinetry, freeing up valuable counter space. A mounting template provides all the necessary measurements for installation on practically any wood or metal cabinets.

Refrigeration

Advantium™ Ovens

Microwave Ovens

Dishwashers

Clothes Care

Air Conditioning





## GE® Compact Microwave Ovens

Note: bold = feature upgrade from previous model



GE  
Compact Oven  
**JES834WD** White on white  
• .8 cu. ft. cavity • 800 watts\* • Turntable  
• Auto/Time Defrost • **Electronic touch controls**  
• **Electronic digital display with clock** • **Pocket handle**



GE  
Compact Oven  
**JE710BA** Black on black  
• .7 cu. ft. cavity • 600 watts\* • 15-minute timer  
• Turntable • Optional undercabinet hanging kit available†



GE  
Compact Oven  
**JE620BF** Black on black  
• .6 cu. ft. cavity • 600 watts\* • Electronic touch controls • Electronic digital display with clock  
• Turntable • Time Defrost • Optional undercabinet mounting kit available†  
**JE620WF** White on white (not shown)

Available June 2002

## GE Spacemaker II™ Microwave Oven



GE  
Spacemaker II Oven  
**JEM25WF** White on white  
• Mid-size 1.0 cu. ft. cavity • 800 watts\* • Convenience cooking controls  
• Auto/Time Defrost • Sound on/off • Recessed turntable • Optional undercabinet mounting kit available†  
**JEM25BF**  
Black on black (not shown)

Available May 2002

\*IEC-705 Test Procedure

\*\*Optional Trim Kit—Custom Trim kits available in both 27" and 30" configurations at an additional cost.

†Undercabinet mounting kit—Noted microwave ovens can easily be mounted below your cabinetry, freeing up valuable counter space. A mounting template provides all the necessary measurements for installation on practically any wood or metal cabinets.

Not all features available on all models.  
For additional features, specifications and color availability, refer to page 221.





## Microwave Oven Trim Kits



**Deluxe Built-In Trim Kit For 1.8 Cu. Ft. Microwave Ovens**  
Trim kits allow installation of the 1.8 countertop microwave oven in a wall or cabinet alone, or over a GE® 27" or 30" single electric wall oven as shown.

**30" Deluxe Trim Kits for Models JE1860 and JE1840**

JX1830SB—Stainless Steel, JX1830WB—White  
JX1830CB—Bisque, JX1830BB—Black

**27" Deluxe Trim Kits for Models JE1860 and JE1840**

JX1827SB—Stainless Steel, JX1827WB—White  
JX1827CB—Bisque, JX1827BB—Black



**Deluxe Built-In Trim Kit For 1.6 Cu. Ft. Microwave Ovens**

This trim kit allows for built-in installation of the 1.6 countertop microwave oven in a wall or cabinet alone, or over a GE 30" or 27" single electric wall oven as shown.

**30" Deluxe Trim Kits for Models JE1660 and JE1640**

JX1530MWW—White, JX1530MAW—Almond, JX1530MBW—Black

**27" Deluxe Trim Kits for Models JE1660 and JE1640**

JX1527MWW—White, JX1527MAW—Almond, JX1527MBW—Black



**Deluxe Trim Kits For 1.5 Cu. Ft. GE Profile™ Microwave Ovens**

Built-in trim kits allow installation in a wall or cabinet alone, or over a GE 30" or 27" single electric wall oven. Use a convection wall oven under these convection microwave ovens for a complete convection cooking center.

**30" Deluxe Trim Kits for Model JE1590**

JX1530CSC—Stainless, JX1530CVC—White  
JX1530CCC—Bisque, JX1530CBC—Black

**27" Deluxe Trim Kits for Model JE1590**

JX1527CSC—Stainless, JX1527CVC—White  
JX1527CCC—Bisque, JX1527CBC—Black



**Built-In Trim Kit For 1.0 Cu. Ft. Microwave Ovens**

For a custom built-in appearance, this kit allows built-in installation of the Spacemaker II microwave oven into a wall or cabinet alone.

**Trim Kits for Models JEM31 and JEM25**

JX827SS—Stainless Steel, JX827WN—White  
JX827CD—Bisque, JX827BN—Black



**Hanging Kit For .6, .7 and 1.0 Cu. Ft. Microwave Ovens**

This hanging kit allows installation under a cabinet.

**Hanging Kit for Models JE620, JE740, JE710, JEM25, JEM31**

Pub. No. 4-A019

Refrigeration

Advantium™ Ovens

Microwave Ovens

Dishwashers

Clothes Care

Air Conditioning





A dishwasher  
for every kitchen.

Now there's a highly fashionable, highly functional dishwasher for every kitchen.

Graceful in appearance, powerful in performance, GE Profile™ contoured door and CustomStyle™ dishwashers satisfy virtually any need. Multiple spray arms and multiple levels of wash action assure that every dish and utensil is sparkling clean.

Innovative sensor technology saves time and energy, providing just the right amount of cleaning power and water for the load.

For those who prefer simpler lines, the new GE Triton XL™ provides the same efficient washing features of the Profile models, but in a more straightforward design. All GE Profile and GE models offer tremendous loading flexibility and quiet operation.

**The leading edge of kitchen design**

GE has created the only dishwasher with a full-length contoured door, as well as a unique, full-wrap stainless steel door. Inlaid, light-touch electronic controls provide a smooth, seamless appearance.



**Remarkable loading flexibility**

The capacious interior accommodates up to 16 place settings, as well as extra tall dishes and glasses. The Tall-Over-Tall™ rack design lets you load oversized items without adjustment.



**Incredibly quiet operation**

Thinstall™ insulation keeps the dishwasher from intruding on family dinner conversations, while the ActiveVent II system seals in sound during the wash cycle.



**Premium performance, clean and simple**

Direct-feed wash arms provide total cleaning coverage, and multiple levels of wash action provide impressive results. An extensive filter system helps prevent food soils from being redeposited on dishes.





GEAppliances.com

Refrigeration

Advantium™ Ovens

Microwave Ovens

Dishwashers

Clothes Care

Air Conditioning



125



## GE Profile™ Built-In Dishwashers

**These models include** • ENERGY STAR®-qualified • ExtraClean™ wash system • ExtraFine™ filter • ExtraClean™ sensor • Automatic temperature control • Inlaid light-touch electronic controls • Squeeze latch • Last cycle memory • NSF-certified anti-bacteria cycle • Cookware cycle • China/Crystal cycle • SpeedCycle™ selection • **Added heat enhancement** • Child lock option • Automatic HotStart™ feature • Tall-Over-Tall™ nylon rack system with CleanTip tines • Super capacity three-piece modular silverware basket • QuietPower™ IV sound insulation package with Thinstall™ insulation and mastic • QuietPower motor • ActiveVent II system • Trimless design • Multi-wattage heating element **Note: bold = feature upgrade from previous model**



Certified to exceed ENERGY STAR guidelines for energy efficiency.

**ONLY GE HAS IT!**



Tall-Over-Tall towerless rack design accommodates tall items like 9-1/4" glasses in the upper rack and a 20-quart stock pot in the lower rack—no adjustment required.

**ONLY GE HAS IT!**



The ExtraClean sensor design continually monitors every cycle and adjusts for water soil content, water temperature, wash cycle length and the amount of water needed to clean dishes efficiently.



The ExtraClean wash system has three direct-feed wash arms to clean every spot on every dish.

126



### GE Profile Built-In Dishwasher

**PDW7880GSS** Stainless steel exterior  
**• Contoured door • Countdown display with six status lights • 12 touchpads • 1-9-hour Delay Start option • Glasses cycle • Two sets fold-down tines and two sets multi-position fold-down tines in upper rack • Four sets fold-down tines in lower rack • Four utility shelves with StemSafe system • ExtraShelf**  
**PDW7800GWW** White on white (not shown)  
**PDW7800GCC** Bisque on bisque (not shown)  
**PDW7800GBB** Black on black (not shown)

As an ENERGY STAR® partner, GE has determined that this product meets the ENERGY STAR® guidelines for energy efficiency.



The stainless front panel dishwasher is the only model with semi-integrated controls. Black, bisque and white models have a separate control panel.



### GE Profile Built-In Dishwasher

**PDW7700GWW** White on white  
**• Long, flat door • CustomStyle™ panel trim kit available • Countdown display with six status lights • 12 touchpads • 1-9-hour Delay Start option • Glasses cycle • Two sets fold-down tines and two sets multi-position fold-down tines in upper rack • Four sets fold-down tines in lower rack • Four utility shelves with StemSafe system • ExtraShelf**  
**PDW7700GBB** Black on black (not shown)  
**PDW7700GCC** Bisque on bisque (not shown)

As an ENERGY STAR® partner, GE has determined that this product meets the ENERGY STAR® guidelines for energy efficiency.



Not all features available on all models. For additional features, specifications and color availability, refer to pages 223-224.

**NSF** NSF Protocol for sanitization and cleaning performance of household spray-type dishwashers. (1997)



GEAppliances.com

Refrigeration

Advantium™ Ovens

Microwave Ovens

Dishwashers

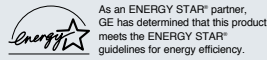
Clothes Care

Air Conditioning



**GE Profile**  
*Built-In Dishwasher*

- PDW7300GCC** Bisque on bisque  
 • Contoured door • Six status lights • 11 touchpads 2/4/8-hour Delay Start option • One set fold-down tines and one set multi-position fold-down tines in upper rack • Two sets fold-down tines in lower rack • Two utility shelves with StemSafe system
- PDW7300GWW** White on white (not shown)  
**PDW7300GBB** Black on black (not shown)



## GE Profile Built-In Dishwasher with Stainless Interior



Certified to exceed ENERGY STAR guidelines for energy efficiency.

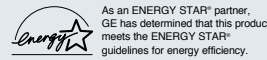


Lustrous stainless steel interior maintains its sheen throughout years of use, resisting rust and stains.



**GE Profile**  
*Built-In Dishwasher with stainless interior*

- PDW8000GCC** Bisque on bisque  
 • ENERGY STAR-qualified • Four-level wash system • Variable cycles/options • NSF-certified anti-bacteria cycle • **Cookware cycle** • China/Crystal cycle • 100% filtration system • 2/4/6-hour Delay Start option • **Fan assist dry** • **Adjustable nylon upper rack** • Nylon lower rack with fold-down CleanTip™ tines • Two utility shelves with stem holder • Deluxe Plus silverware basket • Ready-to-install hard countertop installation • **Quiet 8000 sound package with mastic and steel case**
- PDW8060GSS** Stainless (not shown)  
**PDW8000GWW** White on white (not shown)  
**PDW8000GBB** Black on black (not shown)



## GE Triton XL™ Built-In Dishwashers

**These models include** • Long, flat door • ENERGY STAR®-qualified • XtraClean™ wash system • XtraFine™ filter • XtraClean™ sensor • Automatic temperature control • Inlaid light-touch electronic controls • Squeeze latch • Last cycle memory • Variable cycles/options • NSF-certified anti-bacteria cycle • Pots & Pans cycle • China/Crystal cycle • 2/4/8-hour Delay Start option • **Hi-Temp Wash and Rinse** • **Automatic HotStart™ feature** • Child lock option • Two utility shelves • Super capacity silverware basket • **QuietPower™ IV sound insulation package with Thinstall™ insulation and mastic** • QuietPower motor • **ActiveVent II system** • Trimless design • **Multi-wattage heating element**

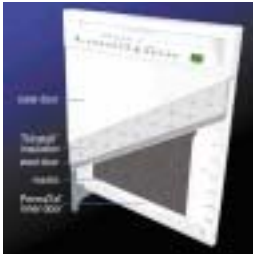
Note: bold = feature upgrade from previous model



Certified to exceed ENERGY STAR guidelines for energy efficiency.



Extra-large capacity holds up to 16 place settings at once.



The QuietPower IV sound insulation package, featuring Thinstall insulation and mastic, cushions the dishwasher to keep noise inside where it belongs.



The XtraClean sensor design continually monitors every cycle and adjusts for water soil content, water temperature, wash cycle length and the amount of water needed to clean dishes efficiently.

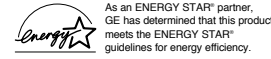
Not all features available on all models. For additional features, specifications and color availability, refer to page 225.

128



### GE Triton XL Built-In Dishwasher

**GSD6660GSS Stainless steel exterior**  
 • Six status lights • Ten touchpads • SpeedCycle™ selection • Tall-Over-Tall™ nylon rack system with CleanTip™ tines • Two fold-down tines in lower rack • Three-piece modular silverware basket

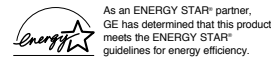


As an ENERGY STAR® partner, GE has determined that this product meets the ENERGY STAR® guidelines for energy efficiency.

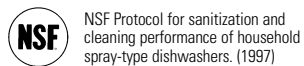


### GE Triton XL Built-In Dishwasher

**GSD6600GBB Black on black**  
 • Six status lights • Ten touchpads • SpeedCycle selection • Tall-Over-Tall nylon rack system with CleanTip tines • Two fold-down tines in lower rack • Three-piece modular silverware basket  
**GSD6600GWW White on white (not shown)**  
**GSD6600GCC Bisque on bisque (not shown)**



As an ENERGY STAR® partner, GE has determined that this product meets the ENERGY STAR® guidelines for energy efficiency.



NSF Protocol for sanitization and cleaning performance of household spray-type dishwashers. (1997)





GEAppliances.com

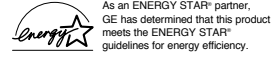


**GE Triton XL  
Built-In Dishwasher**

**GSD6200GW** White on white  
• One "Clean" light and one "Sanitized" light  
• Nine touchpads • Tall-Over-Tall rack system with CleanTip tines • One-piece silverware basket with two cell covers

**GSD6200GBB** Black on black (not shown)

**GSD6200GCC** Bisque on bisque (not shown)



Refrigeration

Advantium™ Ovens

Microwave Ovens

Dishwashers

Clothes Care

Air Conditioning

## GE Triton™ Built-In Dishwashers

**These models include** • ENERGY STAR®-qualified • TriClean™ wash system (three wash arms, 100% triple water filtration with dual pumps, Piranha™ hard food disposer) • Electronic controls • Variable cycles/options • China/Crystal cycle • 2/4/8-hour Delay Start option • Super upper rack • Super lower rack • Super capacity silverware basket • QuietPower™ motor • Trimless design • Steel door

Note: bold = feature upgrade from previous model

**ONLY GE HAS IT!**



TriClean wash system has three wash arms that provide complete coverage, eliminating pre-rinsing, soaking and scrubbing.



Certified to exceed ENERGY STAR guidelines for energy efficiency.



Piranha hard food disposer pulverizes food particles eliminating the need to pre-rinse dishes.



SaniWash™ cycle reduces 99.999% of the bacteria found on dishes. NSF-certified.

Not all features available on all models. For additional features, specifications and color availability, refer to page 225.

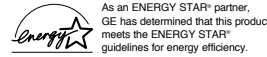
130



GE Triton  
Built-In Dishwasher

**GSD5560GSS Black/Stainless**

• CleanSensor • SaniWash cycle • Light Wash cycle  
• QuietPower II sound package



As an ENERGY STAR® partner, GE has determined that this product meets the ENERGY STAR® guidelines for energy efficiency.



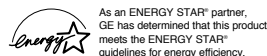
GE Triton  
Built-In Dishwasher

**GSD5500GCC Bisque on bisque**

• CleanSensor • SaniWash cycle • Light Wash cycle  
• QuietPower II sound package

**GSD5500GWW White on white (not shown)**

**GSD5500GBB Black on black (not shown)**



As an ENERGY STAR® partner, GE has determined that this product meets the ENERGY STAR® guidelines for energy efficiency.



NSF Protocol for sanitization and cleaning performance of household spray-type dishwashers. (1997)



GEAppliances.com

## GE® Built-In Dishwashers



SureClean™ wash system lets you count on shiny, sparkling dishes every time. GE wash design assures powerful sprays of water are directed at every dish.



HotStart™ option preheats prior to main wash for great wash performance every time.



### GE Built-In Dishwasher

#### **GSD3800GBB** Black on black

- SureClean wash system • Dual filtration • TouchTap™ controls • 6 cycles/35 options • Pots & Pans cycle • Heavy Wash cycle • Normal Wash cycle • Light Wash cycle • Plate Warmer cycle • Hi-Temp Wash option • 1-6-hour Delay Start option • Deluxe Plus upper rack • Deluxe lower rack • Deluxe silverware basket • Two utility shelves • QuietPower I sound package • QuietPower motor • Trimless design • Steel door

#### **GSD3800GWW** White on white (not shown)

#### **GSD3800GCC** Bisque on bisque (not shown)



As an ENERGY STAR® partner, GE has determined that this product meets the ENERGY STAR® guidelines for energy efficiency.

Refrigeration

Advantium™ Ovens

Microwave Ovens

Dishwashers

Clothes Care

Air Conditioning

Not all features available on all models. For additional features, specifications and color availability, refer to page 226.





## GE Nautilus™ Built-In Dishwashers

**These models include** • Normal Wash cycle • Short Wash cycle (on dial) • Rinse Only cycle (on dial) • Heated Dry option  
 • QuietPower™ motor • Trimless design • Steel door **Note: bold = feature upgrade from previous model**



PowerScrub™ wash system has two wash arms mounted on top and lower levels, plus a spray tower in the middle.



Enjoy a more peaceful kitchen with our QuietPower™ motor.



HotStart™ option preheats prior to main wash for great wash performance every time.



### GE Nautilus™ Built-In Dishwasher

**GSD4500GWW** White on white  
 • PowerScrub wash system • Piranha™ hard food disposer • **Electronic controls** • 4 cycles/26 options  
 • Pots & Pans cycle • **4/6/8-hour Delay Start option**  
 • **Hi-Temp Rinse option** • **Deluxe Plus upper rack**  
 • Two utility shelves • QuietPower I sound package  
**GSD4500GCC** Bisque on bisque (not shown)  
**GSD4500GBB** Black on black (not shown)



**GSD3400GCC**  
 Bisque on bisque (not shown)  
**GSD3400GBB**  
 Black on black (not shown)

### GE Nautilus™ Built-In Dishwasher

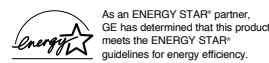
**GSD3400GWW** White on white  
 • **6 cycles/31 options** • PowerScrub wash system • Piranha hard food disposer • **TouchTap™ controls** • **Pots & Pans cycle** • Plate Warmer cycle  
 • Short Wash cycle (on dial) • **1-6-hour Delay Start option** • HotStart option • **Deluxe upper rack** • QuietDesign™ sound package



**GSD2600GWW**  
 White on white (not shown)  
**GSD2600GCC**  
 Bisque on bisque (not shown)

### GE Nautilus™ Built-In Dishwasher

**GSD2600GBB** Black on black  
 • **ENERGY STAR®-qualified** • **5 cycles/22 options** • Heavy Wash cycle • **Plate Warmer cycle (on dial)** • HotStart option • **QuietDesign sound package**



Not all features available on all models. For additional features, specifications and color availability, refer to page 226.





## GE Nautilus Convertible Dishwashers

**These models include** • PowerScrub wash system • Five wash levels • Piranha hard food disposer • Pots & Pans cycle • Normal Wash cycle • Short Wash cycle (on dial) • Plate Warmer cycle (on dial) • Rinse Only cycle (on dial) • Heated Dry option • Hi-Temp Wash option • HotStart option • Deluxe rack system • QuietDesign sound package • QuietPower motor • Woodgrain laminate top • Trimless design

Note: bold = feature upgrade from previous model



PowerScrub wash system has two wash arms mounted on top and lower levels, plus a spray tower in the middle.



Enjoy a more peaceful kitchen with our QuietPower motor.



HotStart option preheats prior to main wash for great wash performance every time.



Piranha hard food disposer pulverizes food particles eliminating the need to pre-rinse dishes.

Not all features available on all models. For additional features, specifications and color availability, refer to page 227.



Portable now



Built-in later



GE Nautilus Convertible Dishwasher

**GSC3400GWW** White on white

**GSC3400GBB** Black on black (not shown)

• 7 cycles/39 options • TouchTap controls • China/Crystal cycle • Six-hour Delay Start option • Deluxe split silverware basket • Rinse aid dispenser with indicator



GE Nautilus Convertible Dishwasher

**GSC3200GBB** Black on black

**GSC3200GWW** White on white (not shown)

• 5 cycles/22 options • Deluxe silverware basket

Refrigeration

Advantium™ Ovens

Microwave Ovens

Dishwashers

Clothes Care

Air Conditioning



## Spacemaker® Under-the-Sink Dishwashers



Installed under a single sink



Installed under a cooktop

GE

Under-the-Sink Dishwasher

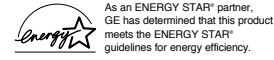
**GSM2100GWW** White on white

**GSM2100GCC** Bisque on bisque

ENERGY STAR®-qualified

- 5 cycles/12 options • Two wash levels
- Pots & Pans cycle • Normal Wash cycle
- Short Wash cycle (on dial) • Plate Warmer cycle (on dial) • Rinse Only cycle (on dial)
- HotStart™ option • PermaTuf® tub
- Spacemaker upper rack • Deluxe lower rack • Deluxe silverware basket
- QuietPower™ motor

Note: Under-the-Sink dishwashers can be installed under GE cooktop models JP200V and JP201CV. Refer to cooktop installation instructions.



## Spacemaker 18" Built-In Dishwasher



GE

Spacemaker 18" Built-In Dishwasher

**GSS1800Z**

- 4 cycles/7 options • Two wash levels • Pots & Pans cycle • Normal Wash cycle (on dial) • Light Wash cycle (on dial) • Heated Dry option • Standard silverware basket • Reversible color panels
- Black, Almond, White

Not all features available on all models.  
For additional features, specifications and color availability, refer to pages 227-228.



## GE Disposall®—Food Waste Disposers

**These models include** • Stainless steel, dual-swivel, anti-jam grinding blades • Manual reset overload protector • Removable splash guard (continuous feed models only) • Drain connector kit

Note: bold = feature upgrade from previous model



GFC1020F



GFC720F



GFC530F/  
GFC535F



GFC520F/  
GFC525F



GFC320F/  
GFC325F



GFB760F



GFC329G

GE®  
Continuous Feed Disposers

### GFC1020F

• Heavy-duty 1 HP motor • 2800 RPM grinding action • Super capacity • QuietPower III sound insulation package • EZ-Mount installation • Stainless steel sink flange • Sink stopper • One-year full replacement plus six-year limited warranty\*

### GFC720F

• Heavy-duty 3/4 HP motor • 2700 RPM grinding action • Super capacity • QuietPower II sound insulation package • EZ-Mount installation • Stainless steel sink flange • Sink stopper • One-year full replacement plus four-year limited warranty\*

### GFC530F

• Heavy-duty 1/2 HP motor • 2600 RPM grinding action • Extra-large capacity • QuietPower I sound insulation package • EZ-Mount installation • Stainless steel sink flange • Sink stopper • One-year full replacement plus two-year limited warranty\*

### GFC535F

Similar to GFC530 but has attached line cord

### GFC520F

• Heavy-duty 1/2 HP motor • 2600 RPM grinding action • Large capacity • Standard sound insulation package • EZ-Mount installation • Stainless steel sink flange • Sink stopper • One-year full replacement plus one-year limited warranty\*

### GFC525F

Similar to GFC520 but has attached line cord

### GFC320F

• 1/3 HP motor • 1900 RPM grinding action • Large capacity • Standard sound insulation package • EZ-Mount installation • Stainless steel sink flange • Sink stopper • One-year full replacement warranty\*

### GFC325F

Similar to GFC320 but has attached line cord

GE

Batch Feed Disposer

### GFB760F

• Heavy-duty 3/4 HP motor • 2700 RPM grinding action • Super capacity • QuietPower II sound insulation package • One-year full replacement plus four-year limited warranty\*

GE

Three-Bolt mount adaptable Disposer designed to mount to existing three-bolt mount system

### GFC329G

• 1/3 HP motor • 1900 RPM grinding action • Large capacity • Standard sound insulation package • One-year full replacement warranty\*

\*See written warranty for details.

## Built-In Compactors



### GE Profile™ Built-In Compactor

#### GCG1540FSS Stainless steel

• Built-in only • 1.4 cu. ft. capacity • 1/3-horsepower • Removable key lock • Toe pedal opener • Rear wheels allow easy movement and installation • Heavy-gauge steel construction

#### GCG1550FCC Bisque on bisque (not shown)

#### GCG1530FWW White on white (not shown)

#### GCG1520FBB Black on black (not shown)

Not all features available on all models.  
For additional features, specifications and color availability, refer to page 230.

Refrigeration

Advantium™ Ovens

Microwave Ovens

Dishwashers

Clothes Care

Air Conditioning





Exceptional clothes care  
and convenience.

In a perfect world, you could do the laundry in minimal time, with little effort, and get the results you want. New GE Profile™ fully electronic washers and dryers make this world a reality. Engineered with an innovative variable-speed motor and sensor technology,

GE Profile washers can clean and care for everything from dirty jeans to

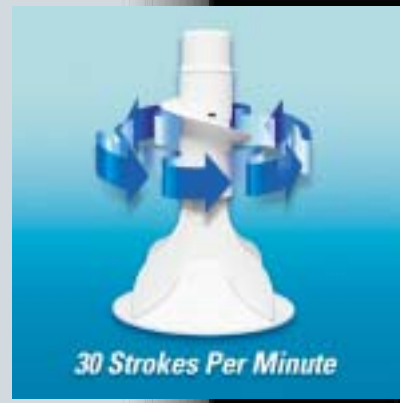
delicate sweaters. These washers also feature our exclusive ExtrAction Tub™, which improves moisture extraction by up to 24%, reducing dry times and extending the life of the clothes. And each washer and dryer has a convenient digital readout, which provides accurate cycle countdown, from start to finish.

136



**ExtrAction tub**

Our revolutionary ExtrAction tub improves moisture extraction by up to 24%, reducing dry times, resulting in less clothing wear and tear.



**Variable speed motor**

The electronically controlled drive offers up to 12 wash/spin speed combinations for precise fabric care. There are settings for heavy cottons, synthetics and delicates, along with several variations in between. Featuring Ultra Handwash pulse agitation at 30 strokes/minute. America's Gentlest Agitation™.



**Electronic control panel**

Preprogrammed cycles offer better clothing care, and one-touch controls save time. Getting exceptional results is simply a matter of pressing a button.



**Speed Wash and Dry**

Our Speed Wash/Dry system washes and dries a soccer uniform, school uniform or golf outfit in 30 minutes or less. This is about 33% faster than other speed wash/dry systems on the market.







GEAppliances.com

Refrigeration

Cooking Products

Microwave Ovens

Dishwashers

Clothes Care

Air Conditioning





## GE Profile Wizard™ Washer and Dryer

### “Simply brilliant!”

In 1995, GE introduced the largest washer in America. Today, GE’s tradition of laundry innovation continues with the Wizard washer and dryer. Designed for simple operation, our intelligent laundry pair has One-Touch controls and a powerful memory. The Wizard remembers the last load washed, and it continually adapts to a range of household variables and load sizes.



WPSE7003A shown with DPSE592EA/DPSE592GA

### Washer Features



Stain Wash eliminates or reduces the need for pretreating, alternating soak and agitation. It can be used on any fabric, any cycle.



Speed Wash thoroughly cleans clothes and makes them bright in a matter of minutes—perfect for families on the go.



The Adaptive Logic System™ automatically adjusts cycle times according to household conditions.



PerfectTemp Plus is GE’s most accurate temperature control system. That means it has the extraordinary ability to maximize detergent’s effectiveness.

### Dryer Features

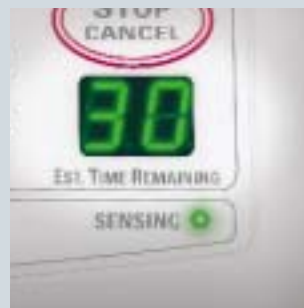


Antibacterial Dryer Option reduces 99.9% of certain types of bacteria.\*

\*Including Staphylococcus aureus, Pseudomonas aeruginosa, and Klebsiella pneumoniae, NSF certified.



Speed Dry comes to the rescue when the pressure’s on to get ready for school and out the door in a matter of minutes.



Sensor Dry Plus prevents overdrying and underdrying, extending the life of clothes. It’s 20% faster than the current system.



Deluxe Dryer Rack allows you to conveniently dry special items like tennis shoes and stuffed animals.

Not all features available on all models.





GEAppliances.com

## GE Profile Wizard Washer and Dryer

**This washer includes** • One-Touch operation • Adaptive Logic System • Precision Care Wash System • 3.2 Super Capacity Plus • PerfectTemp Plus • Stain Wash cycle • Multiple cycle selections • 5 speed combinations • Speed Wash • Custom cycles • Extended soak/presoak • Extended spin • 2nd rinse • End-of-cycle signal • Lifetime basket warranty • Delay Start (1-8 hours) • Hush Quiet Plus • Digital countdown • SpotSpray • Full 10-year warranty



**GE Profile™**  
3.2 cu. ft. Super Capacity Plus Washer  
WPSE7003A



Refrigeration

Cooking Products

Microwave Ovens

**This dryer includes** • One-Touch operation • Adaptive Logic System • Sensor Dry Plus • Antibacterial option • Speed Dry • Delicate cycle • Wrinkle Care Extended Tumble • Multiple cycle selections • 5 heat selections • Custom cycles • Hush Quiet Plus • Interior drum light • End-of-cycle signal • Dryer® cycle • Dewrinkle cycle • Digital countdown • Deluxe dryer rack • Full 10-year warranty



**GE Profile**  
7.0 cu. ft. Super Capacity Dryer  
DPSE592EA/DPSE592GA



Dishwashers

Clothes Care

Air Conditioning

Not all features available on all models.  
For additional features, specifications and color availability, refer to pages 231 and 233.





## GE Profile™ Washers and Dryers

Perfect care. Perfect timing. Perfectly simple.

GE Profile washers and dryers provide the perfect combination of clothes care and convenience through a collection of innovative technologies. PerfectTemp Plus ensures that the water is always the right temperature. And Sensor Dry Plus monitors moisture levels and adjusts dry times, protecting clothes from heat damage.

Thanks to the Adaptive Logic System™ and ExtrAction Tub™, the task of doing laundry is far less time-consuming. Adaptive Logic takes into account household and load variables to make cycle times more accurate. And the ExtrAction tub removes up to 24% more moisture away from clothes,\*\* reducing dry times. For most loads, washer and dryer cycles are closely matched.

And if you're in a real hurry, the Speed Wash/Speed Dry system delivers ready-to-go results in just 30 minutes!\* User-friendly, one-touch electronic controls also save you time. Doing laundry has never been easier.

\*Soccer uniform, school uniform or golf outfit.  
\*\*Versus other GE models.





Fully electronic



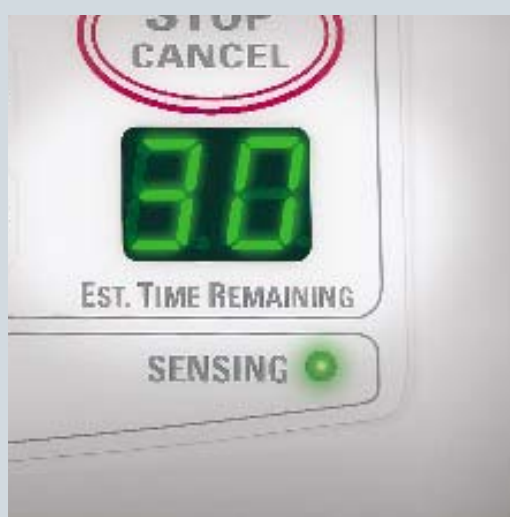
Adaptive Logic System



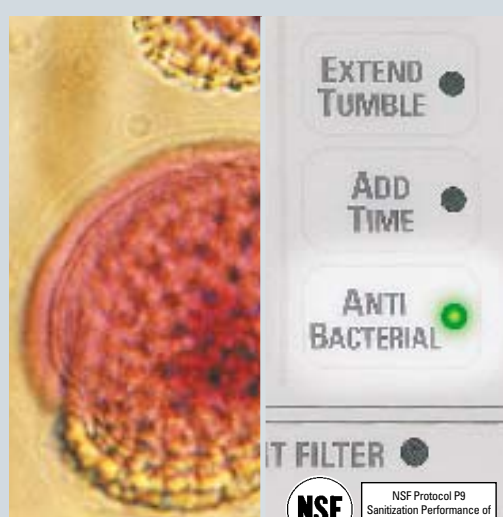
PerfecTemp Plus



Delicate cycle



Sensor Dry Plus



Antibacterial dryer option

Not all features available on all models.





## GE Profile™ Washers and Dryers

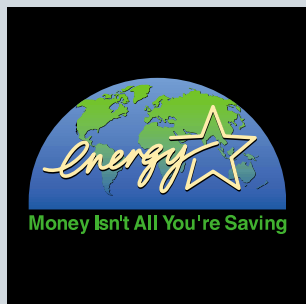
New GE Profile washers and dryers handle all clothes with utmost care, from the heaviest cottons to the finest delicates.

Excellent wash results are achieved with our new Variable Speed Motor, which offers up to 12 wash/spin speed combinations.

At the delicate end of the spectrum, the Ultra Handwash cycle simulates handwashing for less tumbling and more tender clothing care. It's America's Gentlest Agitation™!

Our exclusive ExtrAction Tub™ also protects and prolongs the life of clothes by shortening dry times. Its unique ribbed design removes up to 24% more moisture from clothes. Shorter dry times means less clothing wear and tear.

### Washer Features



As an Energy partner, GE has determined that the WHSB9000B and WHSB8000B meet the ENERGY STAR® guidelines for energy efficiency.



Ultra Handwash is ideal for clothes that require extra-special treatment, it simulates handwashing by starting at a low speed to loosen soil and stains, then alternating with periods of soaks.

### Dryer Features



Delicate cycle protects heat-sensitive fabrics by ensuring that the average fabric temperature is 125°F.



Sensor Damp Dry option automatically stops the dryer when clothes reach a moisture content level of approximately 17%. Allowing you to hang dry selected items.

**These washers include** • Fully electronic—one-touch operation • ExtrAction Tub • Adaptive Logic System™ • GentlePower™ agitator • SpotSpray • Bleach dispenser • Fabric softener dispenser • PerfecTemp Plus wash system • Power Rinse™ • Presoak • Second Rinse • Extended Spin • Cycle Countdown • Exclusive Auto Balance Suspension System

**Note: bold = feature upgrade from previous model**



As an ENERGY STAR® partner, GE has determined that this product meets the ENERGY STAR® guidelines for energy efficiency.

### GE Profile

3.2 cu. ft. Super Capacity Plus Washer

#### WHSB9000B

- ENERGY STAR model • Multiple wash cycles
- **10 wash/spin speed combinations** • Bleach signal • Speed Wash • Stain Wash • Custom cycles
- Ultra Handwash • 4 water levels • Hush Quiet Plus • Variable end-of-cycle signal • Delay start



As an ENERGY STAR® partner, GE has determined that this product meets the ENERGY STAR® guidelines for energy efficiency.

### GE Profile

3.2 cu. ft. Super Capacity Plus Washer

#### WHSB8000B

- ENERGY STAR model • Multiple wash cycles
- 6 wash/spin speed combinations • 4 water levels • Deluxe Quiet • End-of-cycle signal

Not all features available on all models.

For additional features, specifications and color availability, refer to pages 231 and 233.





GEAppliances.com



**GE Profile**

*3.2 cu. ft. Super Capacity Plus Washer*

**WPSB9120B**

- Multiple wash cycles • **12 wash/spin speed combinations** • **Ultra Handwash** • **Speed Wash** • **Stain Wash** • **Custom cycles** • **Bleach signal** • 4 water levels • **Hush Quiet Plus** • **Variable end-of-cycle signal** • **Delay start**

Refrigeration



**GE Profile**

*3.2 cu. ft. Super Capacity Plus Washer*

**WPSB8060B**

- Multiple wash cycles • 6 wash/spin speed combinations • Handwash cycle • 4 water levels • End-of-cycle signal • Deluxe Quiet

Cooking Products

**These dryers include** • Fully electronic—one-touch operation • Adaptive Logic System • Sensor Dry Plus • Delicate cycle with Extra-Low temperature • Deluxe dryer rack • Sensor Damp Dry option • Wrinkle Care • DuraDrum™ interior • Removable upfront lint filter • Reverse-A-Door • Dryer interior light

**Note: bold = feature upgrade from previous model**

Microwave Ovens



**GE Profile**

*7.0 cu. ft. Super Capacity Dryer*

**DPSB519EB/DPSB519GB**

- Multiple drying cycles • 5 heat selections • Speed Dry • **Antibacterial option** • Custom cycles • Variable end-of-cycle signal • **Damp Dry signal** • **Dryel® cycle** • **Delay start** • **Hush Quiet Plus**

Dishwashers



**GE Profile**

*6.0 cu. ft. Extra-Large Capacity Dryer*

**DPXB515EB/DPXB515GB**

- Multiple drying cycles • 5 heat selections • **Speed Dry** • **Custom cycle** • **Variable end-of-cycle signal** • **Hush Quiet**

Clothes Care



**GE Profile**

*7.0 cu. ft. Super Capacity Dryer*

**DPSB513EB/DPSB513GB**

- Multiple drying cycles • 5 heat selections • End-of-cycle signal • Deluxe Quiet

Air Conditioning



## GE® Washers



Super Capacity Plus with 3.2 cu. ft. Now you can wash more at one time, saving you frustration, energy and money.



SpotSpray, a 7-second burst of water, allows you to pretreat a stain before adding the clothes to the wash. It's like having a sink in your washer.



The GentlePower™ agitator adapts to the clothes load, providing gentle and effective washing action.

**ONLY GE HAS IT!**



The Exclusive Auto Balance Suspension System keeps the washer balanced even if the load is unbalanced.

Not all features available on all models. For additional features, specifications and color availability, refer to page 232.

144



WWSE6260B shown with DWSR405EB/DWSR405GB

**These washers include** • Exclusive Auto Balance Suspension System • PermaTuf II™ Basket • Rotary controls • ColorLogic 2000™ • Quiet-By-Design™

**Note: bold = feature upgrade from previous model**



GE  
3.2 cu. ft. Super Capacity Plus Washer  
**WWSE6260B**

• **6 wash/spin speed combinations** • **26 wash cycles** • **4 wash/rinse temperatures** • **4 water levels**  
• Handwash cycle • **PerfecTemp wash system** • Quick Rinse • **Extended Spin** • Power Rinse™  
• Cycle status lights • **Spot Spray** • 2nd Rinse



GE  
3.2 cu. ft. Super Capacity Plus Washer  
**WWSE5200B**

• **5 wash/spin speed combinations** • **20 wash cycles** • **3 wash/rinse temperatures** • **4 water levels**  
• **Auto Temp wash system** • Power Rinse • Cycle status lights • **2nd Rinse**





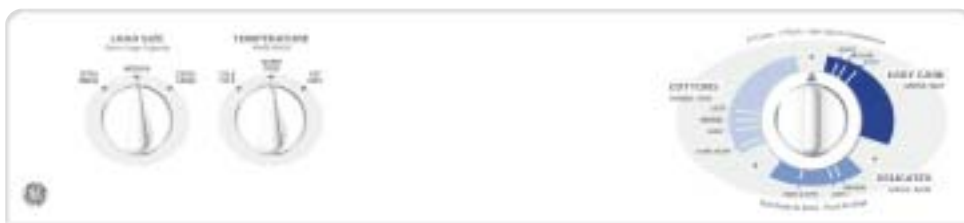
GEAppliances.com



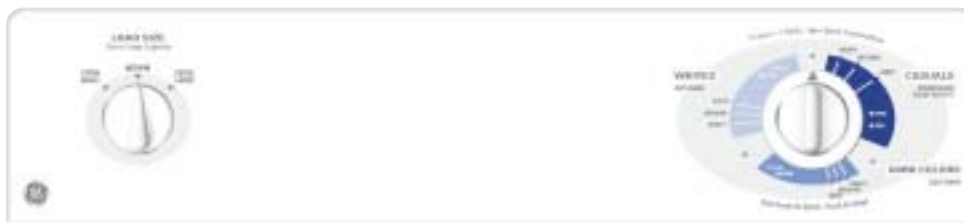
GE  
3.2 cu. ft. Super  
Capacity Plus Washer  
**WJSE4150B**  
• 4 wash/spin speed combinations  
• 15 wash cycles • 3 wash/rinse  
temperatures • 3 water levels  
• Power Rinse • Cycle status lights



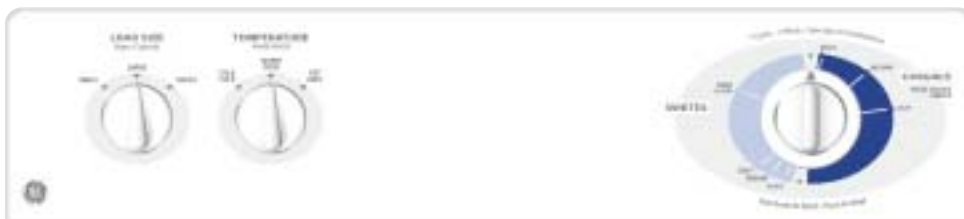
GE  
3.2 cu. ft. Super  
Capacity Plus Washer  
**WBSE3120B**  
• 3 wash/spin speed combinations  
• 12 wash cycles • 3 wash/rinse  
temperatures • 3 water levels  
• Power Rinse • Cycle status lights



GE  
2.7 cu. ft. Extra-Large  
Capacity Washer  
**WBXR3100B**  
• 3 wash/spin speed combinations  
(locked) • 10 wash cycles • 3 wash/rinse  
temperatures • 3 water levels



GE  
2.7 cu. ft. Extra-Large  
Capacity Washer  
**WBXR2090B**  
• 2 wash/spin speed combinations  
• 9 wash cycles • 3 wash/rinse  
temperatures (locked) • 3 water levels



GE  
3.2 cu. ft. Super  
Capacity Washer  
**WJSR2070B**  
• 2 wash/spin speed combinations  
• 7 wash cycles • 3 wash/rinse  
temperatures • 3 water levels



GE  
3.2 cu. ft. Super  
Capacity Washer  
**WVSR1060B**  
• 1 wash/spin speed combination  
• 6 wash cycles • 3 wash/rinse  
temperatures (locked) • 3 water levels

Refrigeration

Cooking Products

Microwave Ovens

Dishwashers

Clothes Care

Air Conditioning





## GE® Dryers



GE dryers provide custom dry cycles to gently care for your clothes.



An extra-wide opening provides easy access to our 7.0 cu. ft. of total dryer capacity.



Reverse-A-Door is the ultimate in flexibility. Change door swing to accommodate your laundry area.



Upfront lint filter is close at hand for cleaning, optimizing dryer performance.



**These dryers include** • Rotary controls • Removable upfront lint filter • Reverse-A-Door • ColorLogic™ 2000 • Quiet-By-Design™ **Note: bold = feature upgrade from previous model**



GE  
7.0 cu. ft. Super Capacity Dryer

**DWSR405EB/DWSR405GB**

• **10 drying cycles** • 4 heat selections • Sensor Dry • Deluxe end-of-cycle signal • Wrinkle care  
• **Deluxe dryer rack** • Interior dryer light



GE  
6.0 cu. ft. Extra-Large Capacity Dryer

**DWXR485EB/DWXR485GB**

• 8 drying cycles • 4 heat selections • **Sensor Dry** • Deluxe end-of-cycle signal • Wrinkle care  
• Interior dryer light

Not all features available on all models.  
For additional features, specifications and color availability, refer to page 234.





GEAppliances.com



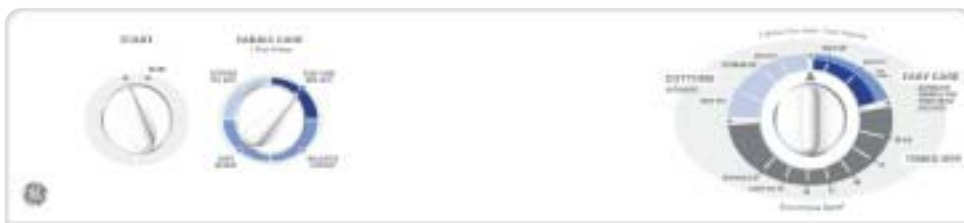
GE  
7.0 cu. ft. Super Capacity Dryer  
**DWSR483EB/DWSR483GB**  
• 8 drying cycles • 4 heat selections  
• Variable end-of-cycle signal  
• Wrinkle care • Interior dryer light  
• Auto Dry

Refrigeration



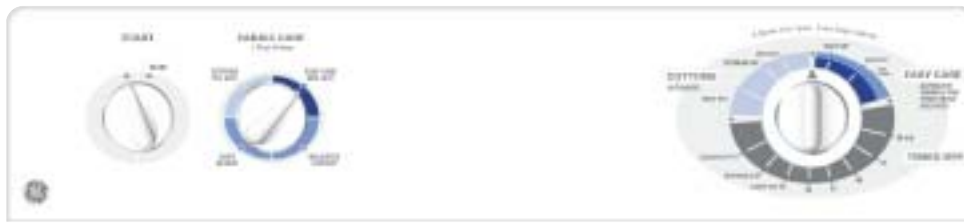
GE  
6.0 cu. ft. Extra-Large  
Capacity Dryer  
**DWXR483EB/DWXR483GB**  
• 8 drying cycles • 4 heat selections  
• Variable end-of-cycle signal  
• Wrinkle care • Interior dryer light  
• Auto Dry

Cooking Products



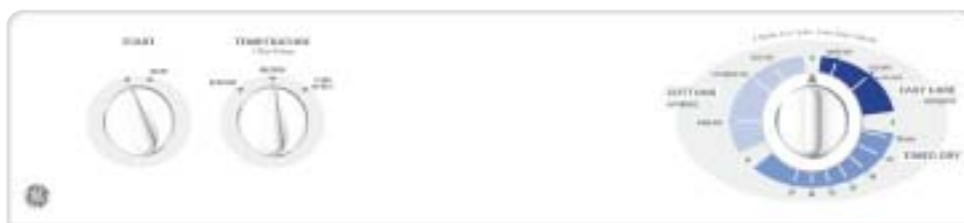
GE  
7.0 cu. ft. Super Capacity Dryer  
**DBSR453EB/DBSR453GB**  
• 5 drying cycles • 4 heat selections  
• Fixed end-of-cycle signal • Interior  
dryer light • Auto Dry

Microwave Ovens



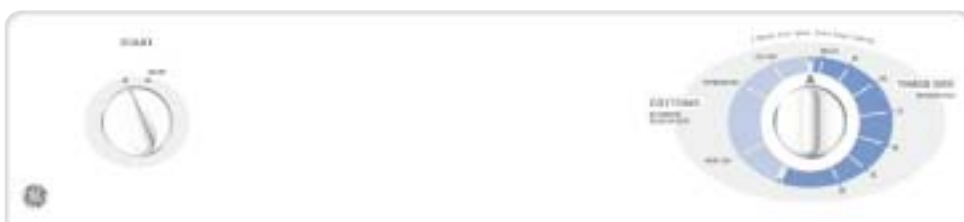
GE  
6.0 cu. ft. Extra-Large  
Capacity Dryer  
**DBXR463EB/DBXR463GB**  
• 6 drying cycles • 4 heat selections  
• Interior dryer light • Auto Dry

Dishwashers



GE  
5.7 cu. ft. Extra-Large  
Capacity Dryer  
**DBL333EB/DBL333GB**  
• 3 drying cycles • 3 heat selections  
• Auto Dry

Clothes Care



GE  
5.7 cu. ft. Extra-Large  
Capacity Dryer  
**DVL223EB/DVL223GB**  
• 2 drying cycles • 2 heat selections  
(locked) • Auto Dry

Air Conditioning





## GE Profile™ and GE® Front-Loading Washers and Dryers

### The solution to a tight situation.

The GE stackable washer and dryer pair has a unique configuration that eases its way into any situation, whether it's a hallway or a closet. And wherever it is—out of the way or out of sight—this laundry pair gives you the capacity you need to finish the laundry in minimal time.



*Built-In Installation*  
WPXH214A shown with DPXH46EA/DPXH46GA



148



### Washer Features

As an **ENERGY STAR**® partner, GE has determined that this product meets the ENERGY STAR guidelines for energy efficiency.



#### **Automatic water fill**

eliminates guesswork and water waste. Automatically adjusts to the load type by adding water. Water fill level remains below the door.



#### **Automatic dispenser**

automatically dispenses detergent, bleach and fabric softener at just the right time in the wash cycle.



### Dryer Feature

#### **Dryer rack**

The sturdy dryer rack is designed to dry items such as washable sneakers and stuffed animals, and is easy to insert and remove.

*Stack Installation*  
WPXH214A shown with DPXH46EA/DPXH46GA  
(stacking kit included with dryer)





**GE Profile**  
*Front-Loading Washer*  
**WPXH214A**



- ENERGY STAR model • 2.7 cu. ft./3.1 IEC Extra-large capacity • High-efficiency washer
- 14 wash cycles • 7 wash/rinse temperatures • Automatic water level adjustment
- Extra-Rinse Cycle/Auto Option • AutoTemp • Quick Wash • ColorLogic™ 2000
- Adjustable final spin speed • Fabric softener dispenser • Bleach dispenser • Fixed end-of-cycle signal • Deluxe Quiet • Available in White on white and Bisque on bisque

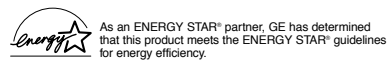


**GE Profile**  
*Front-Loading Dryer*  
**DPXH46EA/GA**

- 5.7 cu. ft. Extra-large capacity • Tumble drying • Moisture Sensor • Timed Dry cycle
- 3 Auto Dry cycles • 4 temperature options • 2 Wrinkle Care cycles • Dryer rack
- Fixed end-of-cycle signal • Reverse-A-Door • ColorLogic 2000 • Available in White on white and Bisque on bisque



**GE**  
*Front-Loading Washer*  
**WSXH208A**



- ENERGY STAR model • 2.7 cu. ft./3.1 IEC Extra-large capacity • High-efficiency washer • 8 wash cycles • 4 wash/rinse temperatures • Automatic water level adjustment • Extra-Rinse Cycle/Auto Option, 3 standard rinse cycles • Fabric softener dispenser • Bleach dispenser



**GE**  
*Front-Loading Dryer*  
**DSXH43EA/GA**

- 5.7 cu. ft. Extra-large capacity • Tumble drying • Timed Dry cycle • 2 Auto Dry cycles (Cottons, Easy Care) • 4 temperature options • End-of-cycle signal • Dryer interior light
- Reverse-A-Door • Dryer rack

Not all features available on all models. For additional features, specifications and color availability, refer to page 236.





## GE Spacemaker® Portable/Stationary Washers and Dryers



Extra-large 2.7 cu. ft. stainless steel tub with lint filters.



Easily accessible detergent/fabric softener dispenser.



**GE**  
**120V Portable Topload Washer**  
**WSLP1100A** White on white or White with black controls  
 • 24" 2.7 cu. ft. extra-large capacity  
 • 1 wash/spin speed • 10 cycles • 4 wash/rinse temperatures • 4 water levels  
 • Load sensing • Electronic controls  
 • Digital countdown • Bifold lid • Bleach dispenser • Fabric softener dispenser  
 • Lint filters • Easy-roll rollers  
 • Unicouple connector quickly attaches to a faucet adaptor

**120V Stationary Topload Washer**  
**WLSL1100A** White on white (not shown)



**GE**  
**240V Stationary Dryer**  
**DSKS433EB** White on white  
 • 3 drying cycles • 4 heat selections

**WMK-35** Wall-Mount Kit  
 (Available at additional cost)



DSL24A shown with WSLP1100A Washer and DSKS433EB Dryer

**DSL24AW** Stack Rack with Light White on white  
 (Available at additional cost)  
 • For use with Portable or Stationary Washers and Stationary Dryer

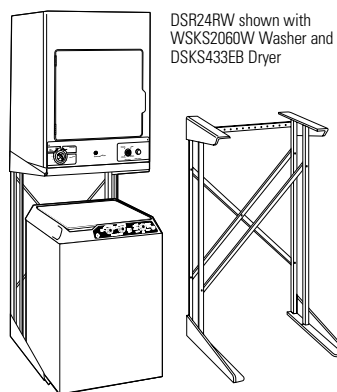


**GE**  
**120V Portable Washer**  
**WSKP2060W** White with granite-look top  
 • 2 wash/spin speeds • 6 cycles  
 • 3 wash/rinse temperatures  
 • 4 water levels • Unicouple connector quickly attaches to a faucet adaptor

**120V Stationary Washer**  
**WSKS2060W** (not shown)



**GE**  
**120V Portable/Stationary Dryer**  
**DSKP233EW** White with black control panel  
 • 3 drying cycles • 2 heat selections • 15-amp dryer cord attached



DSR24RW shown with WSKS2060W Washer and DSKS433EB Dryer

**DSR24RW** Stack Rack White (only)  
 (Available at additional cost)  
 • For use with Portable or Stationary Washers and Dryers

Not all features available on all models. For additional features, specifications and color availability, refer to page 238.





## Unitized Spacemaker® Washer/Dryer Models



GE  
 Full Size 27" Unitized Washer/Dryer  
**WSM2700W** Electric  
**WSM2780W** Gas  
 White on white  
 (Electric models also available in Bisque on bisque) • Extra-large capacity washer features 3 cycles, 3 wash temperature options, 3 water level selections • Dryer features Automatic Dry Control and has 4 cycles



GE  
 24" Unitized Washer/Dryer  
**WSM2420T** Electric  
**WSM2480T** Gas  
 White on white  
 (Electric models also available in Bisque on bisque) • Washer features 3 cycles, 3 wash/rinse temperatures, 3 water levels • Dryer features Automatic Dry Control and has 4 cycles

Not all features available on all models.  
 For additional features, specifications and color availability, refer to page 239.

Refrigeration

Cooking Products

Microwave Ovens

Dishwashers

Clothes Care

Air Conditioning





The coolest comfort,  
wherever you need it.

**GE** units offer you and your  
customers plenty of choices.

The unique GE line provides the features your

customers look for and you demand.

Choose from window or through-the-wall  
installation models. Pick from heat pump,

electric resistance heat or choose the  
cooling only models. Plus, most units come with

the reliability of microprocessor or  
solid-state controls. All units offer contemporary

styling and are easy to install and maintain.

So, regardless of type or scope of your project,

GE delivers dependable, quality units

that meet your specifications—and exceed

your customer's expectations.

152



**Versatility.**

Versatile units provide year-round  
comfort with individual heating and  
cooling temperature control for  
economy and convenience.



**Circulaire™** creates a cooler, more  
even temperature throughout the room.

Oscillating louvers automatically  
distribute the air evenly.



**Energy Saver Feature**

With the energy saver feature, once the  
room is cool enough, the thermostat will  
shut down the compressor and fan,  
saving energy and money.



**Easy Mount Installation**

Designed for ease of placement,  
this unit can be installed by most  
people and requires no prior  
experience or special tools.







GEAppliances.com

*GE has room air conditioners for every room in the home.*

Refrigeration

Advantium™ Ovens

Microwave Ovens

Dishwashers

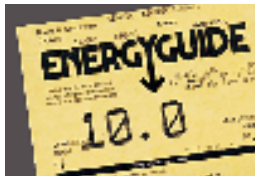
Clothes Care

Air Conditioning



## Built-In “J” Series: Regular-Mount Chassis Only Models

**These models include** • Variable setting thermostat  
 • Fan Cycle switch • Four-way air direction • Up-front, washable air filter • “Fan Only” setting for air circulation



E.E.R. (Energy Efficiency Ratio) shown on the tag of each new unit, compares the air conditioner’s cooling output with the electricity it requires for power. The higher the E.E.R. number, the more efficient the unit, and the less costly to operate.

Fan Cycle Switch helps reduce power consumption and operating costs.



### Cool Only Units

Offer a variety of capacities to cool many applications.

### Heat/Cool Units

Provide a variety of capacities for summer cooling, plus supplemental heat for cold weather—units combine air conditioning with electric resistance heating.

### Heat Pump Units

Heat pump units offer efficient summer cooling with reverse cycle heating and back-up resistance heat for cold weather.

Units include attractive room-side grille of high-impact polystyrene. These units are chassis-only models and require a separately purchased solid-sided wall case (RAB46, RAB47 or RAB48) and exterior grille (RAG13 or RAG14) for installation.



### Cool Only Units

Models	BTUH Cooling	Volts	EER	BTUH Electric Resistance Heating	Wall Case
AJCS06LCA	6000	115	9.5	—	RAB46/47/48
AJCS08ACA	8000	115	9.2	—	RAB46/47/48
AJCS10ACA	9900	115	9.2	—	RAB46/47/48
AJCS09DCA	8900/8700	230/208	9.5/9.5	—	RAB46/47/48
AJCS10DCA	9900/9700	230/208	9.2/9.2	—	RAB46/47/48
AJCS12DCA	11,600/11,400	230/208	9.0/9.0	—	RAB46/47/48



### Heat/Cool Units

Models	BTUH Cooling	Volts	EER	BTUH Electric Resistance Heating	Wall Case
AJES09DCA	8900/8700	230/208	9.5/9.5	11,600/9,480	RAB46/47/48
AJES10DCA	9900/9700	230/208	9.2/9.2	11,600/9,480	RAB46/47/48
AJES12DCA	11,600/11,400	230/208	9.0/9.0	11,600/9,480	RAB46/47/48



### Heat Pump Units

Models	BTUH Cooling	Volts	EER	BTUH Electric Resistance Heating	BTUH Reverse Cycle Heating†	Wall Case
AJHS08DCA*	8000/7800	230/208	9.2/9.2	11,600/9,480	7700/7500	RAB46/47/48
AJHS10DCA*	9800/9600	230/208	9.2/9.2	11,600/9,480	9700/9500	RAB46/47/48

\*Model includes two-stage heating thermostat.  
 †At 47°F.

Note: If any “J” Series unit is a replacement unit the existing rear grille should be replaced for better performance with either stamped aluminum (RAG13) grille or architectural louvered extruded aluminum (RAG14).

Not all features available on all models.  
 For additional features, specifications and color availability, refer to page 241.



## Built-In “J” Series: High-Mount Chassis Only Models

**These models include** • Variable setting thermostat  
• Fan Cycle switch • Four-way air direction • Up-front, washable air filter • Multiple fan speeds



For high-mount installations where control accessibility is difficult, GE offers five “J” Series models with controls located in the lower corner of the room-side cabinet. There are two 115V and two 230V cooling only models, and one 230V model with electric heat.

Units include attractive room-side grille of high-impact polystyrene. Each unit requires a solid-sided wall case (RAB46, RAB47 or RAB48) and exterior grille (RAG13 or RAG14E) for installation.

### Cool Only Units



Models	BTUH Cooling	Volts	EER	BTUH Electric Resistance Heating	Wall Case
AJCH08ACA	8000	115	9.2	–	RAB46/47/48
AJCH10ACA	9900	115	9.2	–	RAB46/47/48
AJCH10DCA	9900/9700	230/208	9.2/9.2	–	RAB46/47/48
AJCH12DCA	11,600/11,400	230/208	9.0/9.0	–	RAB46/47/48

### Heat/Cool Unit



Model	BTUH Cooling	Volts	EER	BTUH Electric Resistance Heating	Wall Case
AJEH12DCA	11,600/11,400	230/208	9.0/9.0	11,600/9,480	RAB46/47/48

## Built-In “J” Series: Window/Wall Mount Models

**These models include** • Multiple Cooling/Heating speeds • Vent/Exhaust • Multi-position thermostat  
• Fan Cycle switch • Easy access filter • Slide-out chassis • EZ Mount window kit (for Cooling Only models)



For convenience and efficiency, GE offers a unique line of units that provide cooling only, cooling with electric heat, and cooling with heat pumps, for use in window or through-the-wall application.

All units include solid-sided sleeve with a slide-out chassis.

### Heat/Cool Units

Models	BTU	EER	Volts	Cools (sq. ft.)	Heater Wattage
AJES10DSA	9,900/9,700	9.2/9.2	230/208	425-525	3.4/2.8 (kw)
AJES08ASA	8,000	9.2	115	250-350	1.2 (kw)
AJES06LSA	6,000	9.5	115	170-210	1.2 (kw)

### Heat Pump Unit

Model	BTU	EER	Volts	Cools (sq. ft.)	Heater Wattage
AJHS08ASA	8,000	9.2	115	250-350	1.2 (kw)

### Cooling Only Units

Models	BTU	EER	Volts	Cools (sq. ft.)
AJCS10AZA	9,900	9.2	115	425-525
AJCS08AZA	8,000	9.2	115	250-350
AJCS06LZA	6,000	9.5	115	170-210



Cooling Only



Heat/Cool, Heat Pump

Not all features available on all models. For additional features, specifications and color availability, refer to pages 241 and 242.

Refrigeration

Advantium™ Ovens

Microwave Ovens

Dishwashers

Clothes Care

Air Conditioning



## GE® ENERGY STAR® Qualified Room Air Conditioners

**Most models include** • Energy Saver feature • Multiple cooling speeds • Vent/Exhaust • Adjustable thermostat • Auto Circulaire™  
 • EZ Mount window kit • Remote control • Sleep mode • Four-way adjustable air discharge • One Touch lift-out filter • Slide-out chassis



### Money Isn't All You're Saving

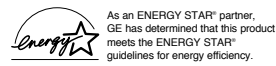
The #1 Preferred Brand adds ENERGY STAR® Label to 2002 line

New for 2002, the most preferred brand of room air conditioners is introducing a complete line of models with the ENERGY STAR® label. GE's new ENERGY STAR® qualified models not only keep homes cool and comfortable, they use less energy and cost less to operate. This is a major benefit that will help consumers reduce their energy bills. And money isn't all they'll save. GE ENERGY STAR® qualified models also reduce air pollution, protecting the environment for future generations. Count on GE to deliver more efficient and effective home cooling products.



ASM24DC

Models	BTU	EER	Volts	Cools (sq. ft.)
ASM24DC	23,700/23,100	9.4/9.4	230/208	1500-1650



AGM18DA  
AGM14AA (not shown)

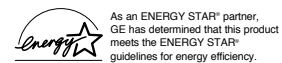


AGM12AA  
AGM10AA (not shown)



AGM08FB

Models	BTU	EER	Volts	Cools (sq. ft.)
AGM18DA	17,800/17,300	10.7/10.7	230/208	1050/1150
AGM14AA	13,800	10.8	115	750/850
AGM12AA	12,000	10.8	115	575/650
AGM10AA	10,000	10.8	115	425-525
AGM08FB	8,000	10.8	115	250-350

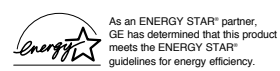


AGM06LA  
AGM05LA (not shown)



AGM05LA

Model	BTU	EER	Volts	Cools (sq. ft.)
AGM06LA	5,950	10.8	115	170-210
AGM05LA	5,200	10.8	115	100-150



Not all features available on all models.  
 For additional features, specifications and color availability, refer to page 240.  
 156



## GE Electronic Room Air Conditioners

**Most models include** • Energy Saver feature • Multiple cooling speeds • Digital thermostat • Rigid slide-out filter  
• EZ Mount window kit • Vent exhaust • Auto Circulaire™



AGQ24DA  
AGQ18DA (not shown)



AGQ14AA



AGQ12AA  
AGQ12DA (not shown)



AGQ10AA  
AGQ08FA (not shown)



AGQ06LA  
AGQ05LA (not shown)

Model	BTU	EER	Volts	Cools (sq. ft.)
<b>AGQ24DA</b>	23,800/23,300	8.5/8.5	230/208	1500-1650
<b>AGQ18DA</b>	18,000/17,500	9.7/9.7	230/208	1050-1150
<b>AGQ14AA</b>	13,800	10	115	750-850
<b>AGQ12AA</b>	12,000	9.8	115	575-650
<b>AGQ12DA</b>	12,000/11,500	9.8/9.8	230/208	575-650
<b>AGQ10AA</b>	10,000	9.8	115	425-525
<b>AGQ08FA</b>	8,000	10	115	250-350
<b>AGQ06LA</b>	6,000	9.7	115	170-210
<b>AGQ05LA</b>	5,200	9.7	115	100-150

Refrigeration

Advantium™ Ovens

Microwave Ovens

## GE Mechanical Room Air Conditioners

**Most models include** • Multiple cooling speeds • 8-position thermostat • Auto Circulaire™ • Slide-out chassis



AGV24DB  
AGV18DD (not shown)  
AGV14AA (not shown)



AGV12AD  
AGV10AD (not shown)  
AGV08FB (not shown)

Models	BTU	EER	Volts	Cools (sq. ft.)
<b>AGV24DB</b>	23,800/23,300	8.5/8.5	230/208	1500-1650
<b>AGV18DD</b>	17,800/17,300	9.7/9.7	230/208	1050-1150
<b>AGV14AA</b>	13,800	10	115	750-850
<b>AGV12AD</b>	12,000	9.8	115	575-650
<b>AGV10AD</b>	10,000	9.8	115	425-525
<b>AGV08FB</b>	8,000	10	115	250-350
<b>ASV06LC</b>	6,000	9.8	115	170-210
<b>ASV05LC</b>	5,200	9.8	115	100-150



ASV06LC



ASV05LC

Not all features available on all models.  
For additional features, specifications and color availability, refer to page 240.

Dishwashers

Clothes Care

Air Conditioning





## Heat/Cool Series

**These models include** • Multiple cooling/heating speeds • Vent/Exhaust • 8-Position thermostat

- Four-way adjustable air discharge
- Easy access filter
- Slide-out chassis
- Rigid panel window kit



Circulaire™ oscillating louvers automatically distribute the air evenly in a room. Creates a cooler, more even temperature throughout the room.



Models	BTU	EER	Volts	Cools (sq. ft.)	Heater Wattage
AGE21DA	21,000/TBD	8.5/8.5	230/208	1,260-1,375	3,670/3,100 (kw)
AGE18DA	17,600/17,200	9.7/9.7	230/208	1,050-1,150	3,670/3,100 (kw)
AGE14DA	14,000/13,500	9.7/9.7	230/208	750-850	3,670/3,100 (kw)

## Air Conditioning: Slide-Aire

**These models include** • 10-Position thermostat • Vertical Slider Kit Panel

- Multiple Cooling and Fan speeds
- Two-way adjustable air discharge



Slide-Aire models accommodate the special installation needs of sliding and casement windows (those with side hinges that open in or out).



Sleek New Contemporary Styling blends quietly with most decor.



Models	BTU	EER	Volts	Cools (sq. ft.)
AGX10AA	10,000	9.5	115	425-525
AGX08FA	8,000	9.5	115	250-350

## Dehumidifiers

**These models include** • Compact and contemporary design • Automatic Humidity sensor control • Automatic Shut-Off system with Bucket Full indicator

- Easy roll casters
- External drain connector
- Automatic defrost control
- Removable condensate container
- Washable air filter



Reduce musty odors and mildew.



Models	Pints Per Day
AHG50LC – ENERGY STAR®	50
AHG40FC – ENERGY STAR®	40
AHG30LB	30

As an ENERGY STAR® partner, GE has determined that this product meets the ENERGY STAR® guidelines for energy efficiency.

Not all features available on all models.  
For additional features, specifications and color availability, refer to pages 242 and 243.





# Specifications and Installation Information

## Contents

<b>Warranty Information</b> .....	160-163
<b>Refrigerators</b>	
Side-By-Side Refrigerators .....	164, 168-169
CustomStyle™ Side-By-Side Refrigerators .....	165-167
Top-Freezer No-Frost Refrigerators .....	170, 173-174
CustomStyle™ Top-Freezer Refrigerators .....	171-172
Cycle and Manual Defrost Refrigerators .....	175
Bottom-Freezer Refrigerators .....	176
Wine Cooler and Spacemaker™ Compact Refrigerators .....	177
Chest and Upright Freezers .....	178
Optional Refrigerator Panels and Trim Kits .....	179
<b>Cooking Products</b>	
Advantium™ Ovens .....	180-181
30" Built-In Double Ovens .....	182-183
30" Built-In Single Ovens .....	184-185
27" and 24" Built-In Double Ovens .....	186-187
27" and 24" Built-In Single Ovens .....	188-189
24" Built-In Gas Ovens .....	190
30" and 27" Warming Drawers .....	191
Built-In CleanDesign Cooktops .....	192
Built-In Electric Cooktops .....	193
Downdraft Electric and Gas Cooktops .....	194-195
Built-In Gas Cooktops .....	196
Integrated Downdraft Gas Cooktops .....	197
Select-Top™ Modular Downdraft Cooktops and Patio Grill .....	198-199
Built-In Downdraft Gas Modular Cooktops .....	199
30" Slide-In Electric Ranges .....	200-201
30" Slide-In Gas Ranges .....	202-203
30" Slide-In Downdraft Ranges .....	203
30" Drop-In Electric Ranges .....	204-205
Spacemaker™ 27" Drop-In Electric Ranges .....	206
30" Free-Standing CleanDesign Electric Ranges .....	206-207
30" Free-Standing QuickClean™ Electric Ranges .....	208-209
40" Free-Standing Electric Ranges .....	209
30" Free-Standing Gas Ranges .....	210-212
36" and 30" Designer Hoods .....	213
Slide-Out Hoods .....	214
Telescopic Downdraft Systems .....	214-215
High Performance, Performance, Deluxe and Standard Hoods .....	216
<b>Microwave Ovens</b>	
Spacemaker® Convection/Microwave Ovens .....	217
Spacemaker® Microwave Ovens .....	218
Convection/Microwave Wall Ovens .....	219
Microwave Ovens .....	220
Spacemaker II™ Microwave Ovens .....	221
Compact Microwave Ovens .....	221
Microwave Oven Trim Kits .....	222
<b>Dishwashers</b>	
Built-In Dishwashers .....	223-226
Convertible Dishwashers .....	227
18" Built-In and Undersink Dishwashers .....	227-228
Dishwasher Accessories .....	229
Disposers and Compactors .....	230
<b>Clothes Care</b>	
Washers .....	231-232
Dryers .....	231-235
Front-Loading Washer and Dryer .....	236
Dryer Exhausting Information .....	237
Spacemaker® Washers and Dryers .....	238-239
<b>Air Conditioning</b>	
Air Conditioning .....	240
Built-In "J" Series Units and Heat Pumps .....	241
Heat/Cool and Window/Built-In "J" Series Units and Heat Pumps .....	242
Dehumidifiers and Slide-Aire .....	243
<b>Nomenclatures</b> .....	244-247



## Warranty Information\*

The condensed list below is a convenient overview of the written warranties offered on various GE appliances described in this catalog. For complete warranty details on a specific GE appliance model, contact your nearest GE supplier, or call GE Factory Service, toll-free, 800-GE-CARES (800-432-2737).

### Refrigerators (All models **except** GMR02BAN, GMR04BAN, GMR06AAM, GWR03AAM)

For The Period Of	GE Will Replace
<b>One Year</b> From the date of the original purchase	<b>Any part</b> in the refrigerator which fails due to a defect in materials or workmanship. During this <b>full one-year warranty</b> , GE will provide, <b>free of charge</b> , all labor and related service costs to replace the defective part.
<b>Five Years</b> From the date of the original purchase	<b>Any part of the sealed refrigerating system</b> (the compressor, condenser, evaporator and all connecting tubing) which fails due to a defect in materials or workmanship. During this <b>full five-year sealed refrigerating system warranty</b> , GE will also provide, <b>free of charge</b> , all labor and related service costs to replace the defective part.

### Refrigerators and Wine Chillers

(Models GMR02BAN, GMR04BAN, GMR06AAM, GWR03AAM)

For The Period Of	GE Will Replace
<b>One Year</b> From the date of the original purchase	<b>Any part</b> in the refrigerator which fails due to a defect in materials or workmanship. During this <b>limited one-year warranty</b> , you will be responsible for any labor and related service costs.
<b>Second through Fifth Year</b> From the date of the original purchase	<b>Compressor</b> , if the compressor should fail due to a defect in materials or workmanship. During this <b>additional four-year limited warranty</b> , you will be responsible for any labor and related service costs.

### Freezers

For The Period Of	GE Will Replace
<b>One Year</b> From the date of the original purchase	<b>Any part</b> in the freezer which fails due to a defect in materials or workmanship. During this <b>full one-year warranty</b> , GE will also provide, <b>free of charge</b> , all labor and related service costs to replace the defective part.
<b>Five Years</b> From the date of the original purchase	<b>Any part of the sealed refrigerating system</b> (the compressor, condenser, evaporator and all connecting tubing) which fails due to a defect in materials or workmanship. During this <b>full five-year warranty</b> , GE will also provide, <b>free of charge</b> , all labor and related service costs to replace the defective part.
<b>One Year/ Five Years</b> From the date of the original purchase	<b>Food</b> , for <b>one-year</b> on spoilage due to a defect in any materials or workmanship and for <b>five years</b> on spoilage due to a defect in materials or workmanship in the sealed refrigerating system. Under this <b>limited warranty</b> , a cumulative limit of \$100 for 14.9 cu. ft. and smaller, and \$150 for 15.0 cu. ft. and larger.

### Icemakers

For The Period Of	GE Will Replace
<b>One Year</b> From the date of the original purchase	<b>Any part</b> in the icemaker which fails due to a defect in materials or workmanship. During this <b>full one-year warranty</b> , GE will provide, <b>free of charge</b> , all labor and related service costs to replace the defective part.

### Water Filter

For The Period Of	GE Will Replace
<b>30 Days</b> From the date of the original purchase	<b>Any part</b> of the water filter cartridge which fails due to a defect in materials or workmanship. During this <b>limited 30-day warranty</b> , you will be responsible for any labor and related service costs.

### Advantium Oven

(Models SCA2001BSS, SCA2000BWW/CC/BB, SCB2001CSS, SCB2000CWW/CC/BB)

For The Period Of	GE Will Replace
<b>One Year</b> From the date of the original purchase	<b>Any part</b> of the oven which fails due to a defect in materials or workmanship. During this <b>full one-year warranty</b> , GE will provide, <b>free of charge</b> , all labor and related service costs to replace the defective part.
<b>Ten Years</b> From the date of the original purchase	<b>Halogen Speedcook Lamps</b> , if the halogen lamps fail due to a defect in materials or workmanship. During this <b>full ten-year warranty</b> , GE will provide, <b>free of charge</b> , all labor and related service costs to replace the defective part.
<b>Second through Tenth Year</b> From the date of the original purchase	<b>Magnetron Tube</b> , if the magnetron tube should fail due to a defect in materials or workmanship. During this <b>additional nine-year limited warranty</b> , you will be responsible for any labor and related service costs.

### Advantium Oven (Models SCA1001FSS, SCA1000DWW/CC/BB)

For The Period Of	GE Will Replace
<b>One Year</b> From the date of the original purchase	<b>Any part</b> of the oven which fails due to a defect in materials or workmanship. During this <b>full one-year warranty</b> , GE will provide, <b>free of charge</b> , all labor and related service costs to replace the defective part.
<b>Three Years</b> From the date of the original purchase	<b>Heating System</b> , if any heater or lamp fails due to a defect in materials or workmanship. During this <b>full three-year warranty</b> , GE will provide, <b>free of charge</b> , all labor and related service costs to replace the defective part.
<b>Second through Tenth Year</b> From the date of the original purchase	<b>Magnetron Tube</b> , if the magnetron tube should fail due to a defect in materials or workmanship. During this <b>additional nine-year limited warranty</b> , you will be responsible for any labor and related service costs.

### Ranges/Cooktops/Built-In Ovens/Warming Drawers/Hoods

(Excluding CleanDesign Ranges and Cooktops)

For The Period Of	GE Will Replace
<b>One Year</b> From the date of the original purchase	<b>Any part</b> in the cooking product which fails due to a defect in materials or workmanship. During this <b>full one-year warranty</b> , GE will provide, <b>free of charge</b> , all labor and related service costs to replace the defective part.

### Ranges (CleanDesign)

For The Period Of	GE Will Replace
<b>One Year</b> From the date of the original purchase	<b>Any part</b> in the cooking product which fails due to a defect in materials or workmanship. During this <b>full one-year warranty</b> , GE will provide, <b>free of charge</b> , all labor and related service costs to replace the defective part.
<b>Second through Fifth Year</b> From the date of the original purchase.	<b>Glass Cooktop, Radiant Surface Units</b> , if the glass cooktop should crack due to thermal shock, discolor, crack at the rubber seal between the glass cooktop and the porcelain edge or if the pattern wears off, or if any of the radiant surface units burn out. During this <b>additional four-year limited warranty</b> , you will be responsible for all labor and related service costs to replace the defective part.

### Cooktops (CleanDesign)

For The Period Of	GE Will Replace
<b>One Year</b> From the date of the original purchase	<b>Any part</b> in the cooking product which fails due to a defect in materials or workmanship. During this <b>full one-year warranty</b> , GE will provide, <b>free of charge</b> , all labor and related service costs to replace the defective part.
<b>Second through Fifth Year</b> From the date of the original purchase.	<b>Glass Cooktop, Radiant Surface Units</b> , if the glass cooktop should crack due to thermal shock, discolor or if the pattern wears off, or if any of the radiant surface units should burn out. During this <b>additional four-year limited warranty</b> , you will be responsible for all labor and related service costs to replace the defective part.

### Hoods

For The Period Of	GE Will Replace
<b>One Year</b> From the date of the original purchase	<b>Any part</b> in the hood which fails due to a defect in materials or workmanship. During this <b>full one-year warranty</b> , GE will provide, <b>free of charge</b> , all labor and related service costs to replace the defective part.

### Microwave Ovens (Over-The-Range models, Built-In models,

JEM31SF/WF/CF/BF, JE1860SB/WB/CB/GB, JE1840WB/GB, JE1660WB/GB, JE1640WB/AB/GB, JE1590SC/WC/CC/BC)

For The Period Of	GE Will Replace
<b>One Year</b> From the date of the original purchase	<b>Any part</b> in the microwave which fails due to a defect in materials or workmanship. During this <b>full one-year warranty</b> , GE will provide, <b>free of charge</b> , all labor and related service costs to replace the defective part.
<b>Second through Tenth Year</b> From the date of the original purchase	<b>Magnetron Tube</b> , if the magnetron tube should fail due to a defect in materials or workmanship. During this <b>additional nine-year limited warranty</b> , you will be responsible for any labor and related service costs.



**Microwave Ovens** (Models JE1460WF/BF, JE1440WF/BF, JE1160WD/BD, JE1140WD/BD, JEM25WF/BF, JE740WY/GY)

For The Period Of	GE Will Replace
<b>One Year</b> From the date of the original purchase	<b>Any part</b> in the microwave which fails due to a defect in materials or workmanship. During this <b>limited one-year warranty</b> , GE will provide, <b>free of charge</b> , all labor (does not include trip charge to home or other service costs) to replace the defective part.
<b>Second through Tenth Year</b> From the date of the original purchase	<b>Magnetron Tube</b> , if the magnetron tube should fail due to a defect in materials or workmanship. During this <b>additional nine-year limited warranty</b> , you will be responsible for any labor and related service costs.

**Microwave Ovens** (Models JES834WD, JE710BA, JE620WF/BF)

For The Period Of	GE Will Replace
<b>One Year</b> From the date of the original purchase	<b>Any part</b> in the microwave which fails due to a defect in materials or workmanship. During this <b>limited one-year warranty</b> , GE will provide, <b>free of charge</b> , all labor (does not include trip charge to home or other service costs) to replace the defective part.
<b>Second through Fifth Year</b> From the date of the original purchase	<b>Magnetron Tube</b> , if the magnetron tube should fail due to a defect in materials or workmanship. During this <b>additional four-year limited warranty</b> , you will be responsible for any labor and related service costs.

**Dishwashers** (Models PDW7300G, PDW7700G, PDW7800G, PDW7880G, PDW8000G, PDW8060G)

For The Period Of	GE Will Replace
<b>One Year</b> From the date of the original purchase	<b>Any part</b> in the dishwasher which fails due to a defect in materials or workmanship. During this <b>full one-year warranty</b> , GE will provide, <b>free of charge</b> , all labor and related service costs to replace the defective part.
<b>Second Year</b> From the date of the original purchase	<b>Any part</b> in the dishwasher which fails due to a defect in materials or workmanship. During this <b>additional one-year limited warranty</b> , you will be responsible for any labor and related service costs.
<b>Third through Fifth Year</b> From the date of the original purchase	<b>Racks or Electronic Control Board</b> , if either the racks or electronic control board should fail due to a defect in materials or workmanship. During this <b>additional three-year limited warranty</b> , you will be responsible for any labor and related service costs.
<b>Lifetime of Product</b>	<b>Tub or Door Liner</b> , if either the tub or door liner should fail due to a defect in materials or workmanship. During this <b>full product lifetime warranty</b> , GE will provide, <b>free of charge</b> , all labor and related service costs to replace the defective part.

**Dishwashers** (Models GSD4500G, GSD5500G, GSD5560G, GSD6200G, GSD6600G, GSD6660G)

For The Period Of	GE Will Replace
<b>One Year</b> From the date of the original purchase	<b>Any part</b> in the dishwasher which fails due to a defect in materials or workmanship. During this <b>full one-year warranty</b> , GE will provide, <b>free of charge</b> , all labor and related service costs to replace the defective part.
<b>Second Year</b> From the date of the original purchase	<b>Any part of the Water Distribution System</b> which fails due to a defect in materials or workmanship. Associated inlet and drain plumbing parts are not covered by this warranty. During this <b>additional one-year limited warranty</b> , you will be responsible for any labor and related service costs.
<b>Third through Fifth Year</b> From the date of the original purchase	<b>Racks* or Electronic Control Board</b> , if either the racks or electronic control board should fail due to a defect in materials or workmanship. During this <b>additional three-year limited warranty</b> , you will be responsible for any labor and related service costs. *Except models GSD4500G, GSD5500G, GSD5560G and GSD6200G.
<b>Ten Years</b> From the date of the original purchase	<b>Tub or Door Liner</b> , if either the tub or door liner should fail due to a defect in materials or workmanship. During this <b>full ten-year warranty</b> , GE will provide, <b>free of charge</b> , all labor and related service costs to replace the defective part.

**Dishwashers**

(Models GSM2100G, GSC3200G, GSC3400G, GSD2600G, GSD3400G, GSD3800G)

For The Period Of	GE Will Replace
<b>One Year</b> From the date of the original purchase	<b>Any part</b> in the dishwasher which fails due to a defect in materials or workmanship. During this <b>full one-year warranty</b> , GE will provide, <b>free of charge</b> , all labor and related service costs to replace the defective part.
<b>Second Year</b> From the date of the original purchase	<b>Any part of the Water Distribution System</b> which fails due to a defect in materials or workmanship. Associated inlet and drain plumbing parts are not covered by this warranty. During this <b>additional one-year limited warranty</b> , you will be responsible for any labor and related service costs.
<b>Ten Years</b> From the date of the original purchase	<b>Tub or Door Liner</b> , if either the tub or door liner should fail due to a defect in materials or workmanship. During this <b>full ten-year warranty</b> , GE will provide, <b>free of charge</b> , all labor and related service costs to replace the defective part.

**Dishwashers** (Model GSS1800Z)

For The Period Of	GE Will Replace
<b>One Year</b> From the date of the original purchase	<b>Any part</b> in the dishwasher which fails due to a defect in materials or workmanship. During this <b>full one-year warranty</b> , GE will provide, <b>free of charge</b> , all labor and related service costs to replace the defective part.

**Compactors**

For The Period Of	GE Will Replace
<b>One Year</b> From the date of the original purchase	<b>Any part</b> in the compactor which fails due to a defect in materials or workmanship. During this <b>full one-year warranty</b> , GE will provide, <b>free of charge</b> , all labor and related service costs to replace the defective part.

**Disposers** (Models GFC320F, GFC325F, GFC329G, GFC520F, GFC525F, GFC530F, GFC535F, GFC720F, GFB760F, GFC1020F)

For The Period Of	GE Will Replace
<b>One Year</b> From the date of the original purchase	The entire disposer if there is a defect in materials or workmanship relating to functional parts only (appearance parts are excluded). During this <b>full one-year warranty</b> , GE will also provide, <b>free of charge</b> , all labor charges related to replacing the original disposer.

**Disposers** (Models GFC520F, GFC525F)

For The Period Of	GE Will Replace
<b>Additional One Year</b> From the date of the original purchase	Free of charge, a replacement disposer due to a manufacturing defect relating to functional parts only of the original disposer (appearance parts are excluded). During this <b>extended limited warranty</b> period, you will be responsible for all installation charges relating to the replacement disposer.

**Disposers** (Models GFC530F, GFC535F)

For The Period Of	GE Will Replace
<b>Additional Two Years</b> From the date of the original purchase	Free of charge, a replacement disposer due to a manufacturing defect relating to functional parts only of the original disposer (appearance parts are excluded). During this <b>extended limited warranty</b> period, you will be responsible for all installation charges relating to the replacement disposer.

**Disposers** (Model GFC720F, GFB760F)

For The Period Of	GE Will Replace
<b>Additional Four Years</b> From the date of the original purchase	Free of charge, a replacement disposer due to a manufacturing defect relating to functional parts only of the original disposer (appearance parts are excluded). During this <b>extended limited warranty</b> period, you will be responsible for all installation charges relating to the replacement disposer.

**Disposers** (Model GFC1020F)

For The Period Of	GE Will Replace
<b>Additional Six Years</b> From the date of the original purchase	Free of charge, a replacement disposer due to a manufacturing defect relating to functional parts only of the original disposer (appearance parts are excluded). During this <b>extended limited warranty</b> period, you will be responsible for all installation charges relating to the replacement disposer.

## Warranty Information\* (continued)

### GE Profile Wizard™ Washer (Model WPSE7003A)

For The Period Of	GE Will Replace
<b>Ten Years</b> From the date of the original purchase	<b>Any part</b> in the washer which fails due to a defect in materials or workmanship. During this <b>full ten-year warranty</b> , GE will provide, <b>free of charge</b> , all labor and related service costs to replace the defective part.
<b>Lifetime of Product</b>	<b>PermaTuf II™ Basket</b> , if the PermaTuf II™ Basket should fail due to a defect in materials or workmanship. During this <b>product lifetime limited warranty</b> , you will be responsible for any labor and related service costs.

### GE Profile Wizard™ Dryer (Model DPSE592EA/DPSE592GA)

For The Period Of	GE Will Replace
<b>Ten Years</b> From the date of the original purchase	<b>Any part</b> of the dryer which fails due to a defect in materials or workmanship. During this <b>full ten-year warranty</b> , GE will provide, <b>free of charge</b> , all labor and related service costs to replace the defective part.

### GE Profile™ Washers

For The Period Of	GE Will Replace
<b>One Year</b> From the date of the original purchase	<b>Any part</b> in the washer which fails due to a defect in materials or workmanship. During this <b>full one-year warranty</b> , GE will provide, <b>free of charge</b> , all labor and related service costs to replace the defective part.
<b>Second Year</b> From the date of the original purchase	<b>Any part</b> in the washer which fails due to a defect in materials or workmanship. During this <b>additional one-year limited warranty</b> , you will be responsible for any labor and related service costs.
<b>Second through Fifth Year</b> From the date of the original purchase	<b>Suspension Rod and Spring Assembly, and Main Electronic Control Board</b> , if any of these parts should fail due to a defect in materials or workmanship. GE will also replace the <b>Washer Lid or Cover</b> , if they should rust under operating conditions. During this <b>additional four-year limited warranty</b> , you will be responsible for any labor and related service costs.
<b>Second through Tenth Year</b> From the date of the original purchase	<b>Transmission and Outer Wash Tub</b> , if either the transmission or outer wash tub should fail due to a defect in materials or workmanship. During this <b>additional nine-year limited warranty</b> , you will be responsible for any labor and related service costs.
<b>Lifetime of Product</b>	<b>PermaTuf II™ Basket</b> , if the PermaTuf II™ Basket should fail due to a defect in materials or workmanship. During this <b>product lifetime limited warranty</b> , you will be responsible for any labor and related service costs.

### GE Washers

For The Period Of	GE Will Replace
<b>One Year</b> From the date of the original purchase	<b>Any part</b> in the washer which fails due to a defect in materials or workmanship. During this <b>full one-year warranty</b> , GE will provide, <b>free of charge</b> , all labor and related service costs to replace the defective part.
<b>Second through Fifth Year</b> From the date of the original purchase	<b>Transmission, Suspension Rod and Spring Assembly</b> , if any of these parts should fail due to a defect in materials or workmanship. GE will also replace the <b>Washer Lid or Cover</b> , if they should rust under operating conditions. During this <b>additional four-year limited warranty</b> , you will be responsible for any labor and related service costs.
<b>Second through Tenth Year</b> From the date of the original purchase	<b>Outer Tub</b> , if the outer tub should fail due to a defect in materials or workmanship. During this <b>additional nine-year limited warranty</b> , you will be responsible for any labor and related service costs.
<b>Second through Twentieth Year</b> From the date of the original purchase	<b>PermaTuf II™ Basket</b> , if the PermaTuf II™ Basket should fail due to a defect in materials or workmanship. During this <b>additional nineteen-year limited warranty</b> , you will be responsible for any labor and related service costs.

### GE Spacemaker® Washers

For The Period Of	GE Will Replace
<b>One Year</b> From the date of the original purchase	<b>Any part</b> in the washer which fails due to a defect in materials or workmanship. During this <b>full one-year warranty</b> , GE will provide, <b>free of charge</b> , all labor and related service costs to replace the defective part.
<b>Second through Fifth Year</b> From the date of the original purchase	<b>Transmission and Electronics</b> , if the transmission or electronics should fail due to a defect in materials or workmanship. During this <b>additional four-year limited warranty</b> , you will be responsible for any labor and related service costs.

### GE Profile™ Front-Loading Washers

For The Period Of	GE Will Replace
<b>One Year</b> From the date of the original purchase	<b>Any part</b> in the washer which fails due to a defect in materials or workmanship. During this <b>full one-year warranty</b> , GE will provide, <b>free of charge</b> , all labor and related service costs to replace the defective part.
<b>Second Year</b> From the date of the original purchase	<b>Any part</b> in the washer which fails due to a defect in materials or workmanship. During this <b>additional one-year limited warranty</b> , you will be responsible for any labor and related service costs.
<b>Third through Fifth Year</b> From the date of the original purchase	<b>Suspension Strut Assembly, Motor, Motor Controller, Washer Door or Door Panel rust-through</b> , if any of these parts fail due to defective materials or workmanship. During this <b>additional three-year limited warranty</b> , you will be responsible for any labor and related service costs.
<b>Third through Tenth Year</b> From the date of the original purchase	<b>Outer Tub or Driven Pulley</b> , if either of these parts fail due to defective materials or workmanship. During this <b>eight-year limited warranty</b> , you will be responsible for any labor and related service costs.
<b>Lifetime of Product</b>	<b>Inner Wash Basket</b> , if the Inner Wash Basket fails due to defective materials or workmanship. During this <b>product lifetime limited warranty</b> , you will be responsible for any labor and related service costs.



### GE Front-Loading Washers

For The Period Of	GE Will Replace
<b>One Year</b> From the date of the original purchase	<b>Any part</b> in the washer which fails due to a defect in materials or workmanship. During this <b>full one-year warranty</b> , GE will provide, <b>free of charge</b> , all labor and related service costs to replace the defective part.
<b>Second through Fifth Year</b> From the date of the original purchase	<b>Suspension Strut Assembly, Motor, Washer Door or Door Panel rust-through</b> , if any of these parts fail due to defective materials or workmanship. During this <b>additional four-year limited warranty</b> , you will be responsible for any labor and related service costs.
<b>Second through Tenth Year</b> From the date of original purchase	<b>Outer Tub</b> , if the Outer Tub fails due to defective materials or workmanship. During this <b>additional nine-year limited warranty</b> , you will be responsible for any labor and related service costs.
<b>Second through Twentieth Year</b> From the date of the original purchase	<b>Inner Wash Basket</b> , if the Inner Wash Basket fails due to defective materials or workmanship. During this <b>nineteen-year limited warranty</b> , you will be responsible for any labor and related service costs.

### GE Profile™ Super Capacity, Extra-Large Capacity and GE Profile™ Front-Loading Dryers

For The Period Of	GE Will Replace
<b>One Year</b> From the date of the original purchase	<b>Any part</b> in the dryer which fails due to a defect in materials or workmanship. During this <b>full one-year warranty</b> , GE will provide, <b>free of charge</b> , all labor and related service costs to replace the defective part.
<b>Second Year</b> From the date of the original purchase	<b>Any part</b> of the dryer which fails due to a defect in materials or workmanship. During this <b>additional one-year limited warranty</b> , you will be responsible for any labor and related service costs.
<b>Third through Fifth Year</b> From the date of the original purchase	<b>Dryer Drum and Main Electronic Control Panel*</b> , if either of these parts should fail due to a defect in materials or workmanship. During this <b>additional three-year limited warranty</b> , you will be responsible for any labor and related service costs. *Main Electronic Control Panel warranty does not apply to GE Profile Front-Loading Dryers.

### GE Super Capacity, Extra-Large Capacity, Large Capacity, Spacemaker® and GE Front-Loading Dryers

For The Period Of	GE Will Replace
<b>One Year</b> From the date of the original purchase	<b>Any part</b> in the dryer which fails due to a defect in materials or workmanship. During this <b>full one-year warranty</b> , GE will provide, <b>free of charge</b> , all labor and related service costs to replace the defective part.

### Air Conditioners (Window, Window Built-In and Built-In Units)

For The Period Of	GE Will Replace
<b>One Year</b> From the date of the original purchase	<b>Any part</b> in the air conditioner which fails due to a defect in materials or workmanship. During this <b>full one-year warranty</b> , GE will provide, <b>free of charge</b> , all labor and related service costs to replace the defective part.
<b>Second through Fifth Year</b> From the date of the original purchase	<b>Sealed Refrigerating System</b> , if the sealed refrigerating system (compressor, condenser, evaporator and all connecting tubing) should fail due to a defect in materials or workmanship. During this <b>additional four-year full warranty</b> , GE will provide, <b>free of charge</b> , all labor and related service costs to replace the defective part.

### Dehumidifiers

For The Period Of	GE Will Replace
<b>One Year</b> From the date of the original purchase	<b>Any part</b> of the Dehumidifier which fails due to a defect in materials or workmanship. During this <b>full one-year warranty</b> , GE will provide, <b>free of charge</b> , all labor and related service costs to replace the defective part.
<b>Second through Fifth Year</b> From the date of the original purchase	<b>Sealed Refrigerating System</b> , if the Sealed Refrigerating System (the compressor, condenser, dehumidifying coil and all connecting tubing) should fail due to a defect in materials or workmanship. During this <b>additional four-year full warranty</b> , GE will provide, <b>free of charge</b> , all labor and related service costs to replace the defective part.

\*See written warranty for complete details.

This warranty is extended to the original purchaser and any succeeding owner for products purchased for home use within the USA. In Alaska, the One Year Warranty excludes the cost of shipping, or service calls to your home. Some states do not allow the exclusion or limitation of incidental or consequential damages. This warranty gives you specific legal rights, and you may also have other rights which vary from state to state. To know what your legal rights are, consult your local or state consumer affairs office or your state's Attorney General.

#### What GE Will Not Cover:

- Service trips to your home to teach you how to use the product.
- Improper installation.
- Replacement of house fuses or resetting of circuit breakers.
- Failure of the product if it is abused, misused or used for anything other than the intended purpose or used commercially.
- Damage to product caused by accident, fire, floods or acts of God.
- Incidental or consequential damage caused by possible defects with this appliance.



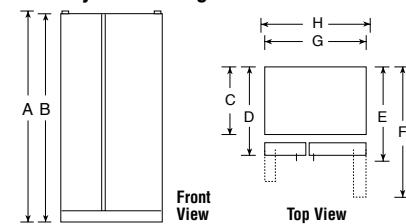
## GE Profile Arctica™ Side-By-Side Refrigerators

	GE Profile Arctica									
	PSS29NHN PSS29NGN	PSS27SHN PSS27SGN	PSS27NHN	PSS27NGN	PSS27MGN	PSF26NGN	PSS25SGN	PSS25NGN	PSS25NCN	PSS25MGN
Stainless steel model		●					●			
<b>Capacity</b>										
Total (cu. ft.)	28.7 / 28.6	26.8 / 26.6	26.8	26.6	26.7	25.5	25.3	25.3	25.2	25.4
Fresh food (cu. ft.)	17.92 / 17.85	16.77 / 16.60	16.77	16.60	16.60	16.02	15.90	15.90	15.90	15.90
Freezer (cu. ft.)	10.78	10.01	10.01	10.01	10.12	9.48	9.37	9.37	9.26	9.48
Shelf area (sq. ft.)	23.9 / 25.0	22.8 / 23.8	22.8	23.8	24.2	23.6	23.6	23.6	23.8	23.7
<b>Fresh Food Features</b>										
Refreshment center	● / -	● / -	●	●	●	●	●	●	●	●
ClimateKeeper™ system	●	●	●	●	●	●	●	●	●	●
Multiflow air system	●	●	●	●	●	●	●	●	●	●
Upfront electronic digital display	●	●	●	●	●	●	●	●	●	●
Upfront electronic touch temp. controls	●	●	●	●	●	●	●	●	●	●
Electronic sensors	●	●	●	●	●	●	●	●	●	●
TurboCool™ setting	●	●	●	●	●	●	●	●	●	●
SmartWater™ filtration system	Plus	Plus	Plus	Plus	Plus	Plus	Plus	Plus	Plus	Plus
LightTouch™ dispenser	Crushed Ice, Cubes, Water	Crushed Ice, Cubes, Water	Crushed Ice, Cubes, Water	Crushed Ice, Cubes, Water	Crushed Ice, Cubes, Water	Crushed Ice, Cubes, Water	Crushed Ice, Cubes, Water	Crushed Ice, Cubes, Water		Crushed Ice, Cubes, Water
Light	●	●	●	●	●	●	●	●		●
Child lock	●	●	●	●	●	●	●	●		●
Door alarm	●	●	●	●	●	●	●	●		●
Quick Ice™ feature	●	●	●	●	●	●	●	●		●
Water filter indicator light	●	●	●	●	●	●	●	●		●
Cabinet shelves	3 Glass	3 Glass	3 Glass	3 Glass	3 Glass	3 Glass	3 Glass	3 Glass	3 Glass	3 Glass
Adjustable	3	3	3	3	3	3	3	3	3	3
Slide-out, spill-proof	2	2	2	2	2	2	2	2	2	2
QuickSpace™ shelf	●	●	●	●	●	●	●	●	●	●
Integrated shelf support system	●	●	●	●	●	●	●	●	●	●
Snugger™ clip(s)	2	2	2	2	2	2	2	2	2	2
Deli pan	Adj. Temp.	Adj. Temp.	Adj. Temp.	Adj. Temp.	Adj. Temp.	Adj. Temp.	Adj. Temp.	Adj. Temp.	Adj. Temp.	Adj. Temp.
Vegetable/fruit crisper	Adj. Humid.	Adj. Humid.	Adj. Humid.	Adj. Humid.	Adj. Humid.	Adj. Humid.	Adj. Humid.	Adj. Humid.	Adj. Humid.	Adj. Humid.
Snack pan	Sealed	Sealed	Sealed	Sealed	Sealed	Sealed	Sealed	Sealed	Sealed	Sealed
CustomCool™ technology	●	●	●	●	●	●	●	●	●	●
ClearLook™ modular door bins	3 (1 Adj.) 5 (4 Adj.)	3 (1 Adj.) 5 (4 Adj.)	3 (1 Adj.)	5 (4 Adj.)	5 (4 Adj.)	5 (4 Adj.)	5 (4 Adj.)	5 (4 Adj.)	5 (4 Adj.)	5 (4 Adj.)
Dairy compartment (removable) (butter dish)	Clear	Clear	Clear	Clear	Clear	Clear	Clear	Clear	Clear	Clear
Can storage rack (door)	● / -	● / -	●	●	●	●	●	●	●	●
Beverage rack	●	●	●	●	●	●	●	●	●	●
Interior light system	Tri-level	Tri-level	Tri-level	Tri-level	Dual-level	Tri-level	Tri-level	Tri-level	Tri-level	Dual-level
Quiet Design	Premium	Premium	Premium	Premium	Premium	Premium	Premium	Premium	Premium	Premium
Automatic moisture control	●	●	●	●	●	●	●	●	●	●
NeverClean™ condenser	●	●	●	●	●	●	●	●	●	●
ENERGY STAR®						● (15%)	● (15%)	● (15%)	●	● (15%)
<b>Freezer Features</b>										
FrostGuard™ technology	●	●	●	●	●	●	●	●	●	●
Factory-installed electronic icemaker & bin	●	●	●	●	●	●	●	●	●	●
Wire Slide-out baskets	3 (2 full-ext.)	3 (2 full-ext.)	3 (2 full-ext.)	3 (2 full-ext.)	3	3 (2 full-ext.)	3 (2 full-ext.)	3 (2 full-ext.)	3 (2 full-ext.)	3
Wire cabinet shelves	2 (1 slide-out)	2 (1 slide-out)	2 (1 slide-out)	2 (1 slide-out)	2 (1 slide-out)	2 (1 slide-out)	2 (1 slide-out)	2 (1 slide-out)	2 (1 slide-out)	2 (1 slide-out)
Wire tilt-out door bin(s)	3 (2 Adj.)	3 (2 Adj.)	3 (2 Adj.)	3 (2 Adj.)	3 (2 Adj.)	3 (2 Adj.)	3 (2 Adj.)	3 (2 Adj.)	4 (3 Adj.)	3 (2 Adj.)
Fixed door bin(s)	1	1	1	1	1	1	1	1	1	1
Interior light	●	●	●	●	●	●	●	●	●	●
<b>Exterior</b>										
Color(s) available*	WW, CC, BB	BS	WW, CC, BB	WW, CC, BB	WW, CC, BB	WW, CC, BB	BS	WW, CC, BB	WW, CC, BB	WW, CC, BB
Door handle(s)	Color-Matched Contoured Profile	Black Contoured Profile	Color-Matched Contoured Profile	Color-Matched Contoured Profile	Color-Matched Contoured Profile	Color-Matched Contoured Profile	Black Contoured Profile	Color-Matched Contoured Profile	Color-Matched Contoured Profile	Color-Matched Contoured Profile
Exterior design	Contoured	Contoured	Contoured	Contoured	Contoured	Contoured	Contoured High-Gloss	Contoured	Contoured	Contoured
Textured steel door and case	●	Case only	●	●	●	●	Case only	Case only	●	●
Adjustable rollers	Front	Front	Front	Front	Front	Front	Front	Front	Front	Front
<b>Weights &amp; Dimensions</b>										
Height to top of hinge (in.) A	69-1/4	69-1/4	69-1/4	69-1/4	69-1/4	69-1/4	69-1/4	69-1/4	69-1/4	69-1/4
Height to top of case (in.) B	68-3/4	68-3/4	68-3/4	68-3/4	68-3/4	68-3/4	68-3/4	68-3/4	68-3/4	68-3/4
Case depth without door (in.) C	28	28	28	28	28	28	28	28	28	28
Case depth less door handle (in.) D	33-9/16	32-1/4	32-1/4	32-1/4	32-1/4	32-1/4	32-1/4	32-1/4	32-1/4	32-1/4
Case depth with door handle (in.) E	36	34-11/16	34-11/16	34-11/16	34-11/16	34-11/16	34-11/16	34-11/16	34-11/16	34-11/16
Depth w/fresh food door open 90° (in.) F	49-11/16	50-1/16	50-1/16	50-1/16	50-1/16	50-1/16	50-1/16	50-1/16	50-1/16	50-1/16
Width (in.) G	35-3/4	35-3/4	35-3/4	35-3/4	35-3/4	35-3/4	35-3/4	35-3/4	35-3/4	35-3/4
Width w/door open 90° less door handle (in.) H	37-3/8	36	36	36	36	36	36	36	36	36
Air clearances Each side (in.)	1/8	1/8	1/8	1/8	1/8	1/8	1/8	1/8	1/8	1/8
Top (in.)	1	1	1	1	1	1	1	1	1	1
Back (in.)	1	1	1	1	1	1	1	1	1	1
Approx. shipping weight (lbs.)	320	346	346	346	346	365	347	347	347	347

\*Color(s) available: BS = Black case with stainless steel doors, WW = White on white, CC = Bisque on bisque, BB = Black on black. Add 9/16" for water hook-up. Hook-up fits in 5/8" back air clearance when calculating installation depth. If installed against a wall, allow clearance of 14-3/16" on 25 cu. ft., 26 cu. ft. and 27 cu. ft. models; 13" on 29 cu. ft. models on freezer side to remove ice bin. To remove fresh food pans, remove door bins. Clearances required to remove fresh food full-size pan without disassembling: 18-15/16" on 25 cu. ft., 26 cu. ft. and 27 cu. ft.; 16-1/4" on 29 cu. ft. Allow additional space for any necessary leveling adjustments.

**ALL MODELS AVAILABLE IN U.S. AND CANADA.**

### Side-By-Side Refrigerators





## GE Profile Arctica CustomStyle™ Side-By-Side Refrigerators

	GE Profile™								
	PSC23SHN PSC23SGN	PSI23SGN PSH23SGN	PSC23NHN	PSC23NGN	PSI23NGN	PSI23SCN	PSI23NCN	PSC23MGN	PSI23MGN
Stainless steel model	●	●				●			
<b>Capacity</b>									
Total (cu. ft.)	22.7 / 22.6	22.6	22.7	22.6	22.6	22.6	22.6	22.7	22.7
Fresh food (cu. ft.)	14.41 / 14.38	14.38	14.41	14.38	14.38	14.38	14.38	14.38	14.38
Freezer (cu. ft.)	8.24	8.24	8.24	8.24	8.24	8.19	8.19	8.32	8.32
Shelf area (sq. ft.)	18.6 / 19.7	19.7	18.6	19.7	19.7	19.9	19.9	19.9	19.9
<b>Fresh Food Features</b>									
Refreshment center	● / -		●						
ClimateKeeper system	●	●	●	●	●	●	●	●	●
Multiflow air system	●	●	●	●	●	●	●	●	●
Upfront electronic digital display	●	●	●	●	●	●	●	●	●
Upfront electronic touch temperature controls	●	●	●	●	●	●	●	●	●
Electronic sensors	●	●	●	●	●	●	●	●	●
TurboCool setting	●	●	●	●	●	●	●	●	●
SmartWater filtration system	Plus	Plus	Plus	Plus	Plus			Plus	Plus
LightTouch! dispenser	Crushed Ice, Cubes, Water	Crushed Ice, Cubes, Water	Crushed Ice, Cubes, Water	Crushed Ice, Cubes, Water	Crushed Ice, Cubes, Water			Crushed Ice, Cubes, Water	Crushed Ice, Cubes, Water
Light	●	●	●	●	●			●	●
Child lock	●	●	●	●	●			●	●
Door alarm	●	●	●	●	●			●	●
Quick Ice feature	●	●	●	●	●			●	●
Water filter indicator light	●	●	●	●	●			●	●
Cabinet shelves	3 Glass	3 Glass	3 Glass	3 Glass	3 Glass	3 Glass	3 Glass	3 Glass	3 Glass
Adjustable	3	3	3	3	3	3	3	3	3
Slide-out, spill-proof	2	2	2	2	2	2	2	2	2
QuickSpace shelf	●	●	●	●	●	●	●	●	●
Integrated shelf system	●	●	●	●	●	●	●	●	●
Snugger clip(s)	1 / 2	2	1	2	2	2	2	2	2
Deli pan	Adj. Temp.	Adj. Temp.	Adj. Temp.	Adj. Temp.	Adj. Temp.	Adj. Temp.	Adj. Temp.	Adj. Temp.	Adj. Temp.
Vegetable/fruit crisper	Adj. Humid.	Adj. Humid.	Adj. Humid.	Adj. Humid.	Adj. Humid.	Adj. Humid.	Adj. Humid.	Adj. Humid.	Adj. Humid.
Snack pan	Sealed	Sealed	Sealed	Sealed	Sealed	Sealed	Sealed	Sealed	Sealed
CustomCool technology	●	●	●	●	●	●	●	●	●
ClearLook modular door bins	3 (1 Adj.) 5 (4 Adj.)	5 (4 Adj.)	3 (1 Adj.)	5 (4 Adj.)	5 (4 Adj.)	5 (4 Adj.)	5 (4 Adj.)	5 (4 Adj.)	5 (4 Adj.)
Dairy compartment (removable) (butter dish)	●	●	●	●	●	●	●	●	●
Can storage rack (door)	● / -		●						
Beverage rack	●	●	●	●	●	●	●	●	●
Interior light system	Tri-level	Tri-level	Tri-level	Tri-level	Tri-level	Tri-level	Tri-level	Dual-level	Dual-level
Quiet Design	Premium	Premium	Premium	Premium	Premium	Premium	Premium	Premium	Premium
Automatic moisture control	●	●	●	●	●	●	●	●	●
NeverClean condenser	●	●	●	●	●	●	●	●	●
ENERGY STAR®		- / ●							
<b>Freezer Features</b>									
FrostGuard technology	●	●	●	●	●	●	●	●	●
Factory-installed electronic icemaker & bin	●	●	●	●	●	●	●	●	●
Wire Slide-out baskets	3 (2 full-ext.)	3 (2 full-ext.)	3 (2 full-ext.)	3 (2 full-ext.)	3 (2 full-ext.)	3 (2 full-ext.)	3 (2 full-ext.)	3	3
Wire cabinet shelves	2 (1 slide-out)	2 (1 slide-out)	2 (1 slide-out)	2 (1 slide-out)	2 (1 slide-out)	2 (1 slide-out)	2 (1 slide-out)	2 (1 slide-out)	2 (1 slide-out)
Wire tilt-out door bin(s)	3 (2 Adj.)	3 (2 Adj.)	3 (2 Adj.)	3 (2 Adj.)	3 (2 Adj.)	4 (3 Adj.)	4 (3 Adj.)	3 (2 Adj.)	3 (2 Adj.)
Fixed door bins	1	1	1	1	1	1	1	1	1
Interior light	●	●	●	●	●	●	●	●	●
<b>Exterior</b>									
Color(s) available*	BS	BS	WW, CC, BB	WW, CC, BB	WW, CC, BB	BS	WW, CC, BB	WW, CC, BB	WW, CC, BB
CustomStyle configuration	Trimless	Trimless	Trimless	Trimless	Trimless	Installed Trim	Trimless	Trimless	Installed Trim
Door handles*	Black Profile	SS Full-length	CM Profile	CM Profile	CM Full-Length	SS Full-length	CM Full-Length	CM Profile	CM Full-Length
Exterior design	Rounded Doors	Squared Doors	Rounded Doors	Rounded Doors	Squared Doors	Squared Doors	Squared Doors	Rounded Doors	Squared Doors
Textured steel door and case	Case only	Case only	●	●	Case only	Case only	Case only	●	Case only
Adjustable rollers	All	All	All	All	All	All	All	All	All
<b>Weights &amp; Dimensions</b>									
Height to top of hinge (in.) A	69-1/4	69-1/4	69-1/4	69-1/4	69-1/4	69-1/4	69-1/4	69-1/4	69-1/4
Height to top of case (in.) B	68-3/4	68-3/4	68-3/4	68-3/4	68-3/4	68-3/4	68-3/4	68-3/4	68-3/4
Height to top of door trim (in.)		70-1/4			70-1/4	70-1/4	70-1/4		70-1/4
Case depth without door (in.) C	23-7/8	23-7/8	23-7/8	23-7/8	23-7/8	23-7/8	23-7/8	23-7/8	23-7/8
Case depth less door handle (in.) D	26-3/4	26-3/4	26-3/4	26-3/4	26-3/4	26-3/4	26-3/4	26-3/4	26-3/4
Case depth with door handle (in.) E	29-3/16	28-5/16	29-3/16	29-3/16	28-5/16	28-5/16	28-5/16	29-3/16	28-5/16
Depth w/fresh food door open 90° (in.) F	45-9/16	45-9/16	45-9/16	45-9/16	45-9/16	45-9/16	45-9/16	45-9/16	45-9/16
Width (in.) G	35-3/4	35-3/4	35-3/4	35-3/4	35-3/4	35-3/4	35-3/4	35-3/4	35-3/4
Width w/door open 90° w/door handle (in.) H	38-3/16	37-5/16	38-3/16	38-3/16	37-5/16	37-5/16	37-5/16	38-3/16	37-5/16
Air clearances Each side (in.)	1/8	1/8	1/8	1/8	1/8	1/8	1/8	1/8	1/8
Top (in.)	1	1	1	1	1	1	1	1	1
Back (in.)	1/2	1/2	1/2	1/2	1/2	1/2	1/2	1/2	1/2
Approx. shipping weight (lbs.)	334	334	334	334	334	334	334	334	334
<b>Accessories</b>									
Factory trim kit attached	N/A	N/A	N/A	N/A	●	N/A	●	N/A	●
Black acrylic panels (optional)	N/A	N/A	N/A	N/A	PSPK23DBB	N/A	PSPK23CBB	N/A	PSPK23DBB
White acrylic panels (optional)	N/A	N/A	N/A	N/A	PSPK23DWW	N/A	PSPK23CWW	N/A	PSPK23DWW
Bisque acrylic panels (optional)	N/A	N/A	N/A	N/A	PSPK23DCC	N/A	PSPK23CCC	N/A	PSPK23DCC
Stainless steel panels (optional)	N/A	N/A	N/A	N/A	PSPK23DSS	N/A	N/A	N/A	PSPK23DSS
Black collar trim (optional)	N/A	TRMBISBB	N/A	N/A	TRMBISBB	TRMBISBB	TRMBISBB	N/A	TRMBISBB
White collar trim (optional)	N/A	TRMBISWW	N/A	N/A	TRMBISWW	TRMBISWW	TRMBISWW	N/A	TRMBISWW
Bisque collar trim (optional)	N/A	TRMBISCC	N/A	N/A	TRMBISCC	TRMBISCC	TRMBISCC	N/A	TRMBISCC
Stainless steel collar trim (optional)	N/A	TRMBISSS	N/A	N/A	TRMBISSS	TRMBISSS	TRMBISSS	N/A	TRMBISSS

\*Color(s) available: BS = Black case with stainless steel doors, WW = White on white, CC = Bisque on bisque, BB = Black on black, SS = Stainless Steel, CM = Color-Matched. If installed against a wall, allow clearance of 13-15/16" on freezer side to remove bin. Clearance required to remove fresh food full size pan without disassembling is 18-5/8".  
**ALL MODELS AVAILABLE IN U.S. AND CANADA.**



Total volume and shelf area are calculated by the Association of Home Appliance Manufacturers' standards.



Listed by Underwriters Laboratories

See page 160 for warranty information.



Refrigeration

Cooking Products

Microwave Ovens

Dishwashers

Clothes Care

Air Conditioning

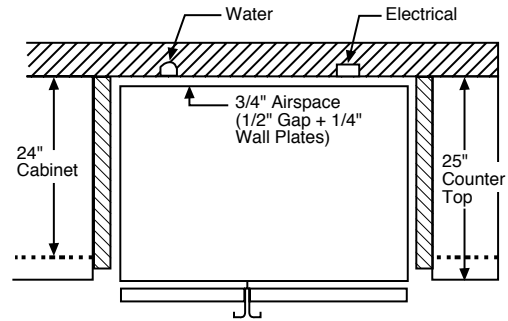
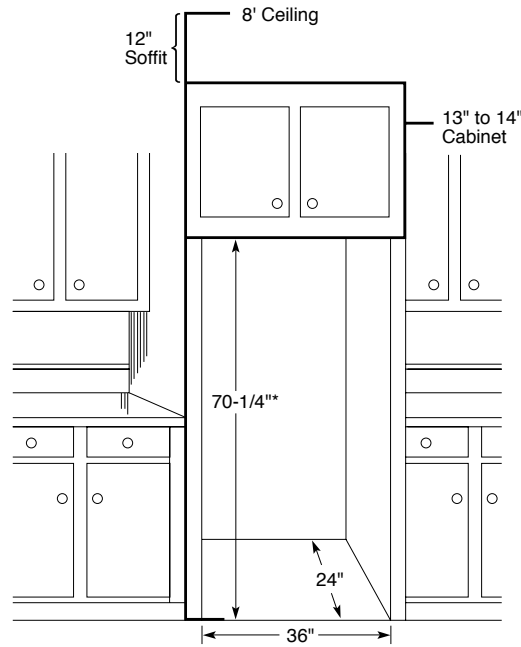
# GE Profile Arctica CustomStyle™ Side-By-Side Installation Information and Specifications

## Rough-In Dimensions

### Standard, New Construction and Replacement Installation

#### Installation Tips to Maximize the Built-In Look

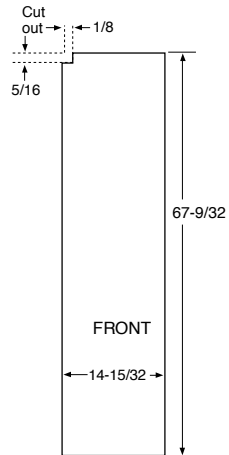
- All wall/floor molding should be removed prior to installation.
- Water recess on rear wall recommended to prevent water line damage. 48" minimum length 1/4" diameter water line tubing recommended.
- When possible, recess both copper water line and electrical outlet. (See local codes)
- Front and rear leveling legs are adjustable for the built-in look. (See owner's manual)
- If optional collar trim kit is to be used or anticipated, see collar trim installation on next page for different rough-in dimensions.



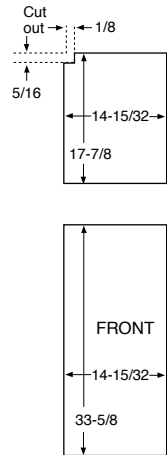
\*The rough-in dimension of 70-1/4" is minimum and is measured from the finished floor to top of opening (or the underside of the overhead cabinets). For Models with Trim Kit: If frameless style cabinets are planned for above the refrigerator, you may need to consider adding a maximum of 1/4" (70-1/2") to height of opening to allow additional clearance between cabinet doors and top of refrigerator trim when cabinet doors are in open position.

## Door Panel Dimensions

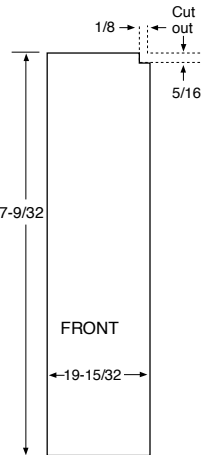
### Freezer Panel without Dispenser



### Freezer Panel with Dispenser



### Fresh Food Panel



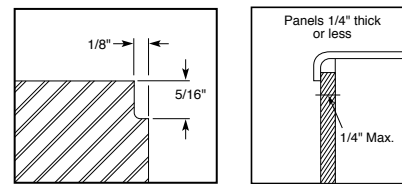
### Order your own custom wood panels to match cabinetry or other decor.

Panels up to 1/4" thick will fit door frame with no special preparation. Add filler behind material thinner than 1/4" for proper fit.

**Weight Limits:** Total weight of panels (i.e., both freezer panels)— Fresh Food = 38 lbs., Freezer = 28 lbs.

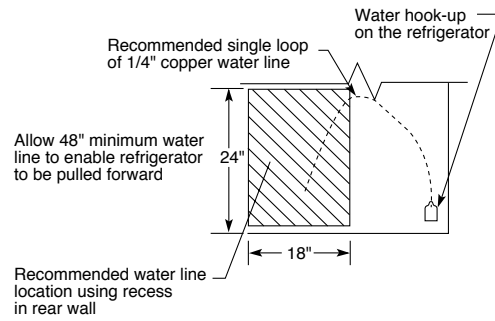
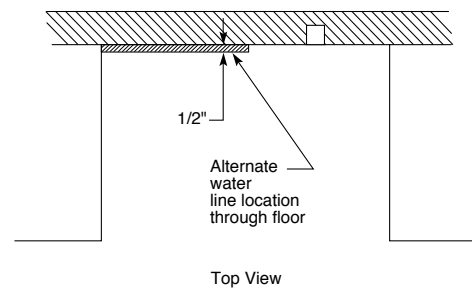
**Note:** Panels up to 3/4" will require special routing area around handles. Dimensions may vary depending on depth of panel.

#### Detail C



(Fresh Food panel shown)  
Notch required at top corner as noted.

## Installation of Water Outlets



**IMPORTANT:** Before finalizing specifications for your GE Profile CustomStyle Refrigerator, please NOTE:

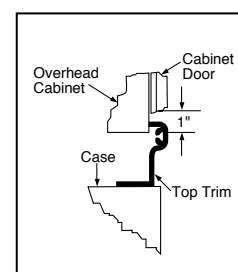
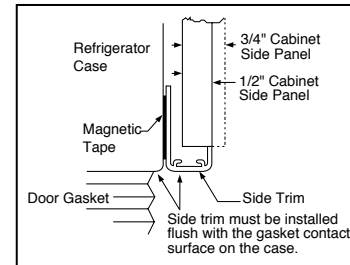
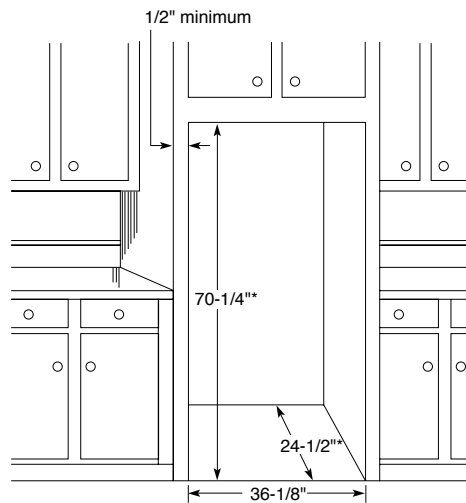
- A minimum of 36" is required for refrigerator installation
- Be sure to allow for 1/2" or 3/4" side panels in addition to the 36" minimum

See page 160 for warranty information.

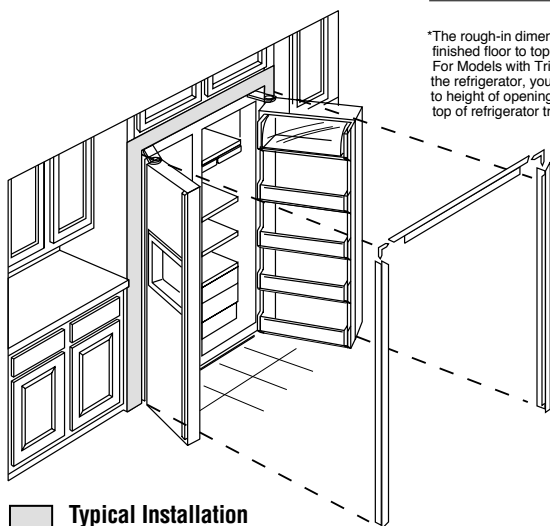


### Collar Trim Installation

An enclosure is **required** to match up to the trim, see Typical Installation. To obtain the most integrated look, the cabinet or soffit above the refrigerator should extend out to the same depth as the side panels. The refrigerator opening must have minimum dimensions of 70-1/4" high x 36-1/8" wide x 24-1/2" deep as shown at right. If there is an overhead cabinet, allow 1" for cabinet door clearance with the top trim piece so the cabinet doors can be opened without hitting the top trim. If 1/2" side panels are used, then side trim and panel will be even. If 3/4" side panels are used, then some of the side panel will extend beyond the trim and must be finished.



\*The rough-in dimension of 70-1/4" is minimum and is measured from the finished floor to top of opening (or the underside of the overhead cabinets). For Models with Trim Kit: If frameless style cabinets are planned for above the refrigerator, you may need to consider adding a maximum of 1/4" (70-1/2") to height of opening to allow additional clearance between cabinet doors and top of refrigerator trim when cabinet doors are in open position.

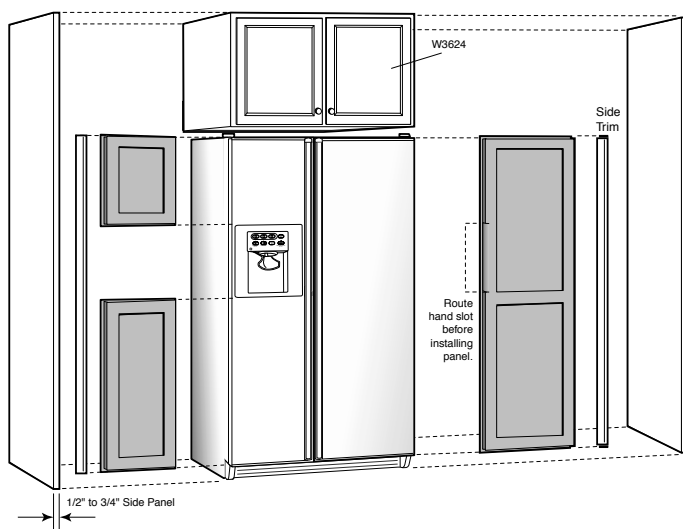


**Typical Installation**  
Shaded areas represent front surfaces of side panels and overhead cabinet or soffit that contacts trim.

**IMPORTANT:** Before finalizing specifications for your GE Profile CustomStyle Refrigerator, please NOTE:  
• A minimum of 36-1/8" is required for refrigerator installation with collar  
• Be sure to allow for 1/2" or 3/4" side panels in addition to the 36-1/8" minimum

### Create a Custom Look for Your GE Profile CustomStyle Side-By-Side Refrigerator

Still another advantage offered by GE Profile CustomStyle Refrigerators is ease of installation. For a refrigerator that does so much to enhance the beauty of your kitchen, the "behind-the-scenes" preparation and installation are surprisingly simple.



#### Fabricating the Enclosure

- The drawing shows an 84" cabinet elevation. Adjust dimensions accordingly for other cabinet elevations.
- Cabinet pieces to order: (2) side panels and (1) wall cabinet.
- Side panels will typically be attached to adjacent cabinets and/or cleated to rear wall and floor.
- Refer to GE refrigerator installation instructions for proper plumbing, and electrical and air clearances.
- (1) Some framed cabinet lines will make a refrigerator enclosure with a cabinet 12" high x 39" wide with sides and 1-1/2" face frame extended down to floor to create the refrigerator space. This will replace the above construction.
- (2) A tall cabinet on either side of the refrigerator can replace a side panel!
- Counter overhangs on either side of the refrigerator should have clipped corners to allow for full door swing.
- If the refrigerator has a wall returning beyond the front of the refrigerator on either side, a 2" tall filler will help to allow for movement of the door.

#### Door Panels

- See drawings for exact dimensions of the fresh-food and freezer door panels.
- Refrigerator door fronts from stock and most semi-custom cabinet manufacturers will be supplied as 1/4"-thick panels cut to dimensions, with closest available standard door sizes applied to front.
  - This will leave a "reveal" at top/bottom and sides.
  - Width of "reveal" will depend on manufacturer's standard door sizes.
  - Door will be affixed on the 1/4" panels at factory or in the field by the local supplier, depending on manufacturer.
- Local shop-built or custom cabinet supplier may fabricate custom 3/4" panels. In this case, edges must be routed.
- Follow notes on drawing to assure room for fingers/hands to open handles.

See page 160 for warranty information.



## GE® Side-By-Side Refrigerators

	GE "L" Series	GE "S" Series	GE "K" Series		GE "J" Series	
	GSS25LSM GSS25LGM	GSS25SGM GSS22SGM	GSS25KGM GSS22KGM	GSH25KGM GSH22KGM	GSS25JFM GSS22JFM	GSS25JEM GSS22JEM
Stainless steel model	● / -	●				
<b>Capacity</b>						
Total (cu. ft.)	25.4	24.9 / 21.8	24.9 / 21.8	24.9 / 21.8	24.9/21.8	24.9/21.8
Fresh food (cu. ft.)	15.90	15.33 / 14.70	15.33 / 14.70	15.33 / 14.70	15.33/14.70	15.33/14.70
Freezer (cu. ft.)	9.48	9.53 / 7.11	9.53 / 7.11	9.53 / 7.11	9.53/7.11	9.53/7.11
Shelf area (sq. ft.)	23.7	24.1 / 22.1	24.1 / 22.1	24.1 / 22.1	22.4/20.4	22.4/20.4
<b>Fresh Food Features</b>						
SmartWater™ filtration system	Plus	Plus	Plus	Plus	●	●
LightTouch dispenser features	Crushed Ice, Cubes, Water	Crushed Ice, Cubes, Water	Crushed Ice, Cubes, Water	Crushed Ice, Cubes, Water	Crushed Ice, Cubes, Water	Crushed Ice, Cubes, Water
Light	●	●	●	●	●	●
Child lock	●	●	●	●		
Door Alarm	●					
Water filter indicator light	●	●	●	●		
Upfront electronic touch temperature controls	●					
Upfront electronic temperature controls		●	●	●	●	●
Cabinet shelves	3 Glass	3 Glass	3 Glass	3 Glass	3 Glass	3 Glass
Adjustable	3	3	3	3	3	3
Slide-out	2	2	2	2		
Spill-proof	2	2	2	2	●	●
QuickSpace™ shelf	●	●	●	●		
Integrated shelf system	●					
Snugger™ clip	1	1	1	1		
Deli pan	1 Sealed	1 Adj. Temp.	1 Adj. Temp.	1 Adj. Temp.	1 Adj. Temp.	1 Adj. Temp.
Vegetable/fruit crisper	1 Adj. Humid.	1 Adj. Humid.	1 Adj. Humid.	1 Adj. Humid.	1 Sealed	1 Sealed
Snack pan	●	●	●	●		
Modular door bins	4 (3 Adj. w/ gallon storage)	4 (2 Adj. w/ gallon storage)	4 (2 Adj. w/ gallon storage)	4 (2 Adj. w/ gallon storage)	4 (2 Adj. w/ gallon storage)	4 (2 Adj. w/ gallon storage)
Dairy compartment	●	●	●	●	●	●
Utility bin (clear)	●	●	●	●		
Interior light system	Dual-level	Dual-level	Dual-level	Dual-level	Dual-level	Dual-level
Quiet Design	Deluxe	Deluxe	Deluxe	Deluxe	Deluxe	Deluxe
Automatic moisture control	●	●	●	●	●	●
NeverClean™ condenser	●	●	●	●	●	●
ENERGY STAR®	●	●	●	●	●	●
<b>Freezer Features</b>						
FrostGuard™ technology	●	●	●	●	●	●
Factory-installed electronic icemaker & bin	●	●	●	●	●	●
Wire cabinet shelves	2 (1 slide-out)	4 (3 Adj.)	4 (3 Adj.)	4 (3 Adj.)	4 (3 Adj.)	4 (3 Adj.)
Storage basket(s)	3 wire (slide-out)	1 wire (slide-out)	1 wire (slide-out)	1 wire (slide-out)	1 bin	1 bin
Wire tilt-out door bin(s)	1					
Door shelves	3 (2 Adj.)	5	5	5	5	5
Interior light	●	●	●	●	●	●
<b>Appearance</b>						
Color(s) available*	BS / WW, CC, BB	BS	WW, CC, BB	WW, CC, BB	WW, CC	WW, CC, BB
Deluxe door handle(s)*	Black Premium/CM	Black Premium	CM Premium	CM Premium	CM Premium	CM Premium
Textured steel door and case	Case only/●	Case only	●	●	●	●
Adjustable rollers	Front	Front	Front	Front	Front	Front
<b>Weights &amp; Dimensions</b>						
Height to top of hinge (in.) A	69-1/4	69-3/4 / 67-1/2	69-3/4 / 67-1/2	69-3/4 / 67-1/2	69-3/4 / 67-1/2	69-3/4 / 67-1/2
Height to top of case (in.) B	68-3/4	68-3/4 / 66-1/2	68-3/4 / 66-1/2	68-3/4 / 66-1/2	68-3/4 / 66-1/2	68-3/4 / 66-1/2
Case depth without door (in.) C	28	28	28	28	28	28
Case depth less door handle (in.) D	31-1/4	30-3/4	30-3/4	30-3/4	30-3/4	30-3/4
Case depth with door handle (in.) E	33-9/16	33	33	33	33	33
Depth with fresh food door open 90° (in.) F	50-1/16	48-13/16	48-13/16	48-13/16	48-13/16	48-13/16
Width (in.) G	35-3/4	35-3/4 / 33-1/2	35-3/4 / 33-1/2	35-3/4 / 33-1/2	35-3/4 / 33-1/2	35-3/4 / 33-1/2
Width w/door open 90° less door handle (in.) H	36	35-3/4 / 33-1/2	35-3/4 / 33-1/2	35-3/4 / 33-1/2	35-3/4 / 33-1/2	35-3/4 / 33-1/2
Air clearances Each side (in.)	1/8	1/8	1/8	1/8	1/8	1/8
Top (in.)	1	1	1	1	1	1
Back (in.)	1	1	1	1	1	1
Approx. shipping weight (lbs.)	338	338 / 334	338 / 315	338 / 315	338 / 315	338 / 315

\*Color(s) available: BS = Black case with stainless steel doors, WW = White on white, CC = Bisque on bisque, BB= Black on black, CM = Color-Matched. Add 9/16" for water hook-up. Hook-up fits in 5/8" back air clearance when calculating installation depth. If installed against a wall, allow clearance of 10-3/4" on 20 cu. ft. and 22 cu. ft. models; 14-3/16" on 25 cu. ft. models on freezer side to remove bin. Clearances required to remove fresh food full-size pan without disassembling: 13-1/2" on 20 cu. ft.; 15" on 22 cu. ft.; and 18-15/16" on 25 cu. ft. Allow additional space for any necessary leveling adjustments.

ALL MODELS AVAILABLE IN U.S. AND CANADA.



Total volume and shelf area are calculated by the Association of Home Appliance Manufacturers' standards.

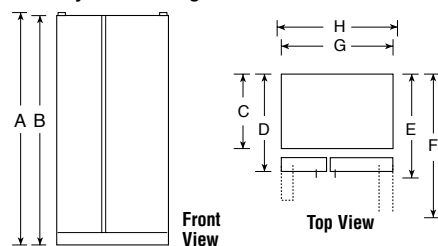


Listed by Underwriters Laboratories

See page 160 for warranty information.

168

### Side-By-Side Refrigerators



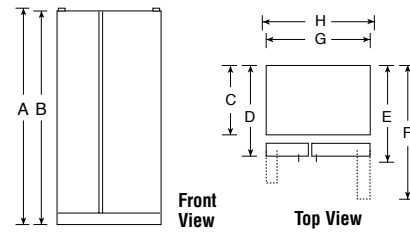




	GE "I" Series		GE "D" Series
	GSS22IBM GSS20IBM	GSS20IEM	GSS20DBM
Stainless steel model			
<b>Capacity</b>			
Total (cu. ft.)	21.7 / 19.8	19.9	19.8
Fresh food (cu. ft.)	14.70 / 12.75	12.75	12.75
Freezer (cu. ft.)	7.04	7.11	7.04
Shelf area (sq. ft.)	21.1 / 18.1	17.3	18.2
<b>Fresh Food Features</b>			
LightTouch! dispenser features		Crushed Ice, Cubes, Water	
Light		●	
Upfront electronic temperature controls	●	●	●
Cabinet shelves	3 Glass	3 Glass	3 Wire Everwhite
Adjustable	3	3	3
Deli pan	1 Sealed	1 Adj. Temp.	1 Sealed
Vegetable/fruit crisper	1 Sealed	1 Sealed	1 Sealed
Modular door bins	4 (2 Adj. w/ gallon storage)	4 (2 w/ gallon storage)	4 (2 w/ gallon storage)
Dairy compartment	●	●	●
Interior light system	Single-level	Single-level	Single-level
Quiet Design	Deluxe	Deluxe	Deluxe
Automatic moisture control	●	●	●
NeverClean condenser	●	●	●
<b>Freezer Features</b>			
FrostGuard technology	●	●	●
Factory-installed electronic icemaker & bin	Opt. (IM5SS)	●	Opt. (IM5SS)
Wire cabinet shelves	5 (4 Adj.) 4 (3 Adj.)	3 (2 Adj.)	4 (3 Adj.)
Storage bin(s)	1	1	1
Door shelves	6	5	6
Interior light	●	●	●
<b>Appearance</b>			
Color(s) available*	WW, CC	WW, CC, WH	WW, CC
Deluxe door handle(s)*	CM	WW, CC, BK	CM
Textured steel door and case	●	●	●
Adjustable rollers	Front	Front	Front
<b>Weights &amp; Dimensions</b>			
Height to top of hinge (in.) A	67-1/2	67-1/2	67-1/2
Height to top of case (in.) B	66-1/2	66-1/2	66-1/2
Case depth without door (in.) C	28	28	28
Case depth less door handle (in.) D	30-3/4	30-3/4	30-3/4
Case depth with door handle (in.) E	33	33	33
Depth with fresh food door open 90° (in.) F	48-13/16 / 46-9/16	46-9/16	46-9/16
Width (in.) G	33-1/2 / 31-1/2	31-1/2	31-1/2
Width w/door open 90° less door handle (in.) H	33-1/2 / 31-1/2	31-1/2	31-1/2
Air clearances Each side (in.)	1/8	1/8	1/8
Top (in.)	1	1	1
Back (in.)	1	1	1
Approx. shipping weight (lbs.)	315 / 300	300	300

\*Color(s) available: WW = White on white, CC = Bisque on bisque, WH = White, BK = Black, CM = Color-Matched.  
 Add 9/16" for water hook-up. Hook-up fits in 5/8" back air clearance when calculating installation depth.  
 If installed against a wall, allow clearance of 10-3/4" on 20 cu. ft. and 22 cu. ft. models;  
 14-3/16" on 25 cu. ft. models on freezer side to remove bin.  
 To remove fresh food pans, remove door bins.  
 Clearances required to remove fresh food full-size pan without disassembling:  
 13-1/2" on 20 cu. ft.; 15" on 22 cu. ft.; and 18-15/16" on 25 cu. ft.  
 Allow additional space for any necessary leveling adjustments.  
**ALL MODELS AVAILABLE IN U.S. AND CANADA.**

Side-By-Side Refrigerators



Refrigeration

Cooking Products

Microwave Ovens

Dishwashers

Clothes Care

Air Conditioning



## GE Profile Arctica™ Top-Freezer Refrigerators

	GE Profile Arctica			
	PTS25LBM	PTS25SBM	PTS22LBN	PTS22SBN
Stainless steel model		●		●
<b>Capacity</b>				
Total (cu. ft.)	24.6	24.6	21.7	21.7
Fresh food (cu. ft.)	17.51	17.51	15.35	15.35
Freezer (cu. ft.)	7.08	7.08	6.35	6.35
Shelf area (sq. ft.)	29.1	29.1	26.3	26.3
<b>Fresh Food Features</b>				
ClimateKeeper™ system	●	●	●	●
Multiflow air system	●	●	●	●
Upfront electronic touch temperature controls	●	●	●	●
Electronic sensors	●	●	●	●
Cabinet shelves	4 Glass	4 Glass	4 Glass	4 Glass
Adjustable	4 Split	4 Split	4 Split	4 Split
Slide-out, removable	3	3	3	3
Spill-proof	4	4	4	4
ShelfSaver™ rack	●	●	●	●
Deli pan	Adj. Temperature	Adj. Temperature	Adj. Temperature	Adj. Temperature
Vegetable/fruit crisper(s)	2 Adj. Humidity	2 Adj. Humidity	2 Adj. Humidity	2 Adj. Humidity
Pivot-out pan removal system	●	●	●	●
ClearLook™ modular gallon door bins	4 (Adj.)	4 (Adj.)	4 (Adj.)	4 (Adj.)
Snuggler™ clip(s)	2	2	2	2
Fixed door bins	1 (Tall Bottle)	1 (Tall Bottle)	1 (Tall Bottle)	1 (Tall Bottle)
Dairy compartment (butter dish)	●	●	●	●
Interior light system	Dual	Dual	Dual	Dual
Quiet Design	Premium	Premium	Premium	Premium
Automatic moisture control	●	●	●	●
NeverClean™ condenser	●	●	●	●
ENERGY STAR®			●	●
<b>Freezer Features</b>				
Factory-installed electronic icemaker and bin	Opt. (IM4)	Opt. (IM4)	Opt. (IM4)	Opt. (IM4)
Multiflow air system (freezer)	●	●	●	●
Ice 'N Easy trays	3	3	3	3
Ice storage bin	Ice Bucket	Ice Bucket	Ice Bucket	Ice Bucket
Ice shelf	1 Vertical	1 Vertical	1 Vertical	1 Vertical
FrostGuard™ technology	●	●	●	●
Spill-proof freezer floor	●	●	●	●
Wire freezer compartment shelves	1 full-width (2 pos.)	1 full-width (2 pos.)	1 full-width (2 pos.)	1 full-width (2 pos.)
Freezer door bins	2 (1 Adj.)	2 (1 Adj.)	2 (1 Adj.)	2 (1 Adj.)
Tilt-out locking freezer door bin	●	●	●	●
Interior light	●	●	●	●
<b>Exterior</b>				
Color(s) available*	WW, CC, BB	BS	WW, CC, BB	BS
Deluxe door handle(s)	Color-Matched	Black	Color-Matched	Black
Customer installed handles	●	●	●	●
Exterior design	Rounded Doors	Rounded Doors	Rounded Doors	Rounded Doors
Reversible doors	●	●	●	●
Adjustable rollers	Front	Front	Front	Front
<b>Weights &amp; Dimensions</b>				
Height to top of hinge (in.) A	68-5/8	68-5/8	67-1/2	67-1/2
Height to top of case (in.) B	67-7/8	67-7/8	66-7/8	66-7/8
Case depth without door (in.) C	27-5/8	27-5/8	27-5/8	27-5/8
Case depth less door handle (in.) D	31-5/8	31-5/8	31-5/8	31-5/8
Case depth with door handle (in.) E	33-5/8	33-5/8	33-5/8	33-5/8
Depth with fresh food door open 90° (in.) F	66	66	63	63
Width (in.) G	35-7/8	35-7/8	32-7/8	32-7/8
Width w/door open 90° less door handle (in.) H	36	36	33	33
Air clearances Each side (in.)	1/8	1/8	1/8	1/8
Top (in.)	1	1	1	1
Back (in.)	1	1	1	1
Approx. shipping weight (lbs.)	310	310	260	260

\*Color(s) available: BS = Black case with stainless steel doors, WW = White on white, CC = Bisque on bisque, BB = Black on black.

ALL MODELS AVAILABLE IN U.S. AND CANADA.

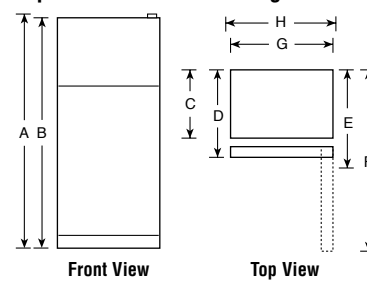


Total volume and shelf area are calculated by the Association of Home Appliance Manufacturers' standards.



Listed by Underwriters Laboratories

### Top-Freezer No-Frost Refrigerator



See page 160 for warranty information.

# GE Profile CustomStyle™ Top-Freezer Refrigerators

GEAppliances.com

	GE Profile™						
	PTC22MBM	PTC22MFM	PTC22SBM	PTC22SFM	PTI22MBM	PTI22MFM	PTI22SFM
Stainless steel model			●	●			●
<b>Capacity</b>							
Total (cu. ft.)	21.9	21.7	21.9	21.7	21.9	21.7	21.7
Fresh food (cu. ft.)	15.4	15.4	15.4	15.4	15.4	15.4	15.4
Freezer (cu. ft.)	6.5	6.3	6.5	6.3	6.5	6.3	6.3
Shelf area (sq. ft.)	22.4	20	22.4	20	22.4	20	20
<b>Fresh Food Features</b>							
SmartWater™ filtration system		●		●		●	●
LightTouch! dispenser		Crushed Ice, Cubes, Water		Crushed Ice, Cubes, Water		Crushed Ice, Cubes, Water	Crushed Ice, Cubes, Water
Upfront illuminated temperature controls	●	●	●	●	●	●	●
Cabinet shelves	4 Glass	4 Glass	4 Glass	4 Glass	4 Glass	4 Glass	4 Glass
Adjustable	4 Split	4 Split	4 Split	4 Split	4 Split	4 Split	4 Split
Slide-out, spill-proof	3	3	3	3	3	3	3
Snugger clip	●	●	●	●	●	●	●
QuickSpace™ shelf	●	●	●	●	●	●	●
Meat pan	Adj. Temperature	Adj. Temperature	Adj. Temperature	Adj. Temperature	Adj. Temperature	Adj. Temperature	Adj. Temperature
Vegetable/fruit crisper(s)	2 Adj. Humidity	2 Adj. Humidity	2 Adj. Humidity	2 Adj. Humidity	2 Adj. Humidity	2 Adj. Humidity	2 Adj. Humidity
Slide-out, spill-proof crisper cover	●	●	●	●	●	●	●
ClearLook modular door bins	4 Adj. w/gallon storage	4 Adj. w/gallon storage	4 Adj. w/gallon storage	4 Adj. w/gallon storage	4 Adj. w/gallon storage	4 Adj. w/gallon storage	4 Adj. w/gallon storage
Fixed door bins	1 F/W tall bottle	1 F/W tall bottle	1 F/W tall bottle	1 F/W tall bottle	1 F/W tall bottle	1 F/W tall bottle	1 F/W tall bottle
Slide-out, slide-over pan removal system	●	●	●	●	●	●	●
Dairy compartment	●	●	●	●	●	●	●
Beverage rack	●	●	●	●	●	●	●
Interior light system	Dual	Dual	Dual	Dual	Dual	Dual	Dual
Quiet Design	Deluxe	Deluxe	Deluxe	Deluxe	Deluxe	Deluxe	Deluxe
Automatic moisture control	●	●	●	●	●	●	●
NeverClean condenser	●	●	●	●	●	●	●
ENERGY STAR®	●	●	●	●	●	●	●
<b>Freezer Features</b>							
Factory-installed electronic ice-maker & bin	Opt. (IM4)	●	Opt. (IM4)	●	Opt. (IM4)	●	●
Ice 'N Easy trays	3		3		3		
Ice storage bin	●	●	●	●	●	●	●
Wire compartment shelf(s)	2 Split (Adj.)	1(Adj.)	2 Split (Adj.)	1(Adj.)	2 Split (Adj.)	1(Adj.)	1(Adj.)
Door bins	2 Adj./1 F/W fixed	2 fixed (1 w/gallon storage)	2 Adj./1 F/W fixed	2 fixed (1 w/gallon storage)	2 Adj./1 F/W fixed	2 fixed (1 w/gallon storage)	2 fixed (1 w/gallon storage)
Interior light	●	●	●	●	●	●	●
<b>Exterior</b>							
Color(s) available*	WW, BB	WW, CC, BB	BS	BS	WW, BB	WW, BB	BS
CustomStyle configuration	Trimless	Trimless	Trimless	Trimless	Installed Trim	Installed Trim	Installed Trim
Premium door handles*	CM Deluxe	CM Deluxe	Black Deluxe	Black Deluxe	CM Full-Length	CM Full-Length	Stainless Steel Appearance
Choose right or left door opening	●	●	●	●	●	●	●
Reversible doors	●	●	●	●	●	●	●
Exterior design	Rounded Doors	Rounded Doors	Rounded Doors	Rounded Doors	Squared Doors	Squared Doors	Squared Doors
Adjustable rollers	All	All	All	All	All	All	All
<b>Weights &amp; Dimensions</b>							
Height to top of hinge (in.) A	69-7/8	69-7/8	69-7/8	69-7/8	69-7/8	69-7/8	69-7/8
Height to top of case (in.) B	68-3/4	68-3/4	68-3/4	68-3/4	68-3/4	68-3/4	68-3/4
Height to top of door trim (in.)					70-1/2	70-1/2	70-1/2
Case depth without door (in.) C	23-3/4	23-3/4	23-3/4	23-3/4	23-3/4	23-3/4	23-3/4
Depth less door handle (in.) D	26-3/4	26-3/4	26-3/4	26-3/4	26-3/4	26-3/4	26-3/4
Depth with door handle (in.) E	28-5/8	28-5/8	28-5/8	28-5/8	28-3/8	28-3/8	28-5/8
Depth with fresh food door open 90° (in.) F	61	61	61	61	61	61	61
Width (in.) G	35-3/4	35-3/4	35-3/4	35-3/4	35-3/4	35-3/4	35-3/4
Width with door open 90° w/door handle (in.) H	38-1/4	38-1/4	38-1/4	38-1/4	38	38	38
Air clearances Each side (in.)	1/8	1/8	1/8	1/8	1/8	1/8	1/8
Top (in.)	1	1	1	1	1	1	1
Back (in.)	1/2	1/2	1/2	1/2	1/2	1/2	1/2
Approx. shipping weight (lbs.)	300	324	300	324	300	324	360
<b>Accessories</b>							
Black acrylic panels (optional)	N/A	N/A	N/A	N/A	PTPK22CBB	PTPK22DBB	N/A
White acrylic panels (optional)	N/A	N/A	N/A	N/A	PTPK22CWW	PTPK22DWW	N/A
Stainless steel panels (optional)	N/A	N/A	N/A	N/A	PTPK22CSS	PTPK22DSS	N/A
Black collar trim (optional)	N/A	N/A	N/A	N/A	TRMBISBB	TRMBISBB	N/A
White collar trim (optional)	N/A	N/A	N/A	N/A	TRMBISWW	TRMBISWW	N/A
Bisque collar trim (optional)	N/A	N/A	N/A	N/A	N/A	N/A	N/A
Stainless steel collar trim (optional)	N/A	N/A	N/A	N/A	TRMBISSS	TRMBISSS	TRMBISSS

\*Color(s) available: BS = Black case with stainless steel doors, WW = White on white, CC = Bisque on bisque, BB = Black on black, CM = Color-Matched.

ALL MODELS AVAILABLE IN U.S. AND CANADA.

See page 160 for warranty information.

Refrigeration

Cooking Products

Microwave Ovens

Dishwashers

Clothes Care

Air Conditioning

# GE Profile CustomStyle™ Top-Freezer Installation Information and Specifications

## Rough-In Dimensions

### Standard, New Construction and Replacement Installation

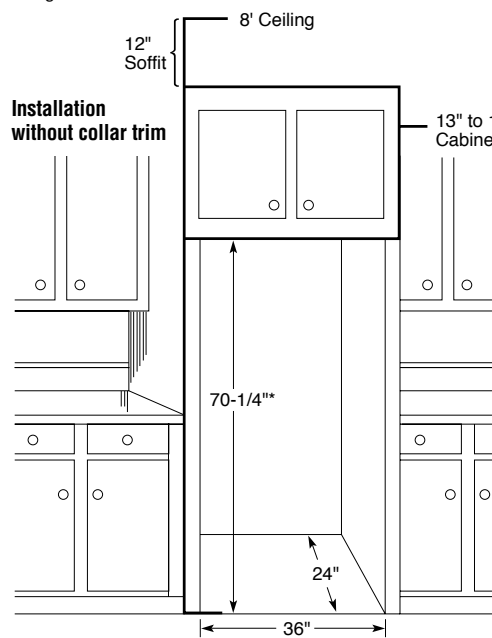
#### Installation Tips to Maximize the Built-In Look

- All wall/floor molding should be removed prior to installation.
- Water recess on rear wall recommended to prevent water line damage. 48" minimum length 1/4" diameter water line tubing recommended.
- When possible, recess both copper water line and electrical outlet. (See local codes)
- Front and rear leveling legs are adjustable for the built-in look. (See owner's manual)

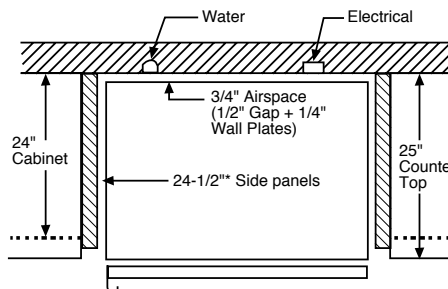
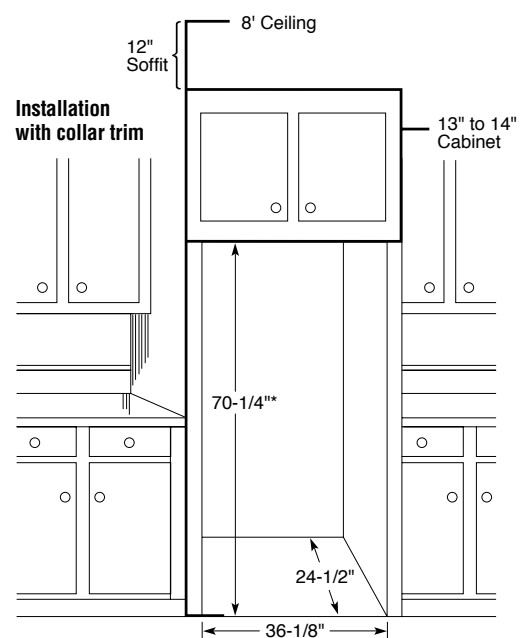
### Collar Trim Installation

An enclosure is **required** to match up to the trim, see Typical Installation. To obtain the most integrated look, the cabinet or soffit above the refrigerator should extend out to the same depth as the side panels. The refrigerator opening must have minimum dimensions of 70-1/4" high x 36-1/8" wide x 24-1/2" deep as shown at right. If there is an overhead cabinet, allow 1" for cabinet door clearance with the top trim piece so the cabinet doors can be opened without hitting the top trim. If 1/2" side panels are used, then side trim and panel will be even. If 3/4" side panels are used, then some of the side panel will extend beyond the trim and must be finished.

Rough-In Dimensions



Collar Trim Installation



\*The rough-in dimension of 70-1/4" is minimum and is measured from the finished floor to top of opening (or the underside of the overhead cabinets). For Models with Trim Kit: If frameless style cabinets are planned for above the refrigerator, you may need to consider adding a maximum of 1/4" (70-1/2") to height of opening to allow additional clearance between cabinet doors and top of refrigerator trim when cabinet doors are in open position.

For 22 cu. ft. models only.

\*22" depth applies to the refrigerator opening, not the actual cabinet depth.

## Door Panel Dimensions

Order your own custom wood panels to match cabinetry or other decor.

Fresh Food Panels	Freezer Panel Without Dispenser	Freezer Panel With Dispenser
B-42-1/4"	A-24-1/16"	D-24-1/16"
C-35-3/4"	C-35-3/4"	C-35-3/4"

22 cu. ft. Panels up to 1/4" thick will fit door frame with no special preparation. Add filler behind material thinner than 1/4" for proper fit.

Note: Panels up to 3/4" will require special routing area around handles. Dimensions may vary depending on depth of panel.

### Handle Side Clearance

- At least 2-5/8" (67mm) on the handle side for fingertip clearances.

### Top and Bottom Clearance

- At least 3/16" (4.75mm) at the top and bottom edges to allow for trim flange.

### Hinge Side Clearance

- A 3/4" (19mm) thick door panel may strike the adjacent countertops when the door is fully opened. Therefore, the hinge side clearance to raised panel will vary according to the installation situation.
  - Allow 1-3/4" (44mm) clearance when installation does not include side panels.
  - The installation of 3/4" (19mm) thick side panels requires less clearance because the space between the door and adjacent countertop is wider.

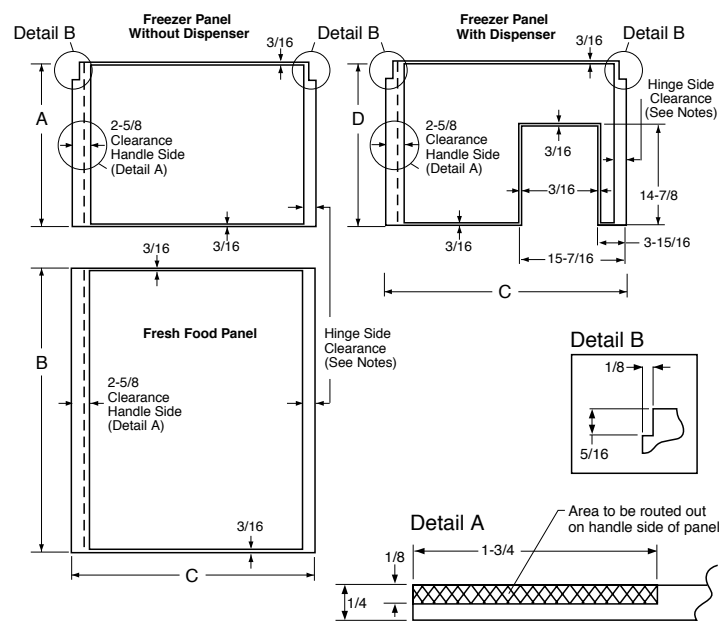
- To avoid door contact to countertop consider:
  - Miter the corner of the adjacent countertops 45°, or
  - Pull the refrigerator forward enough to avoid contact.

### Stability Leg

- The top-freezer refrigerator is the first cabinet-depth top-freezer. This means depth is more shallow than conventional models and the width is larger. The stability leg gives the unit extra support.

See page 160 for warranty information.

172



**IMPORTANT:** Before finalizing specifications for your GE Profile CustomStyle Refrigerator, please NOTE:

- A minimum of 36" is required for refrigerator installation
- Be sure to allow for 1/2" or 3/4" side panels in addition to the 36" minimum

# GE® Top-Freezer Refrigerators

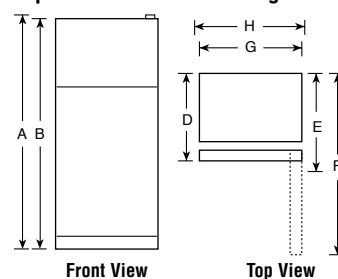
GEAppliances.com

	GE "K" Series				GE "I" Series		GE "H" Series	GE "F" Series		GE "E" Series
	GTS22KBM GTS22KCM	GTH22SBN	GTH18KBM GTS18KCM	GTS16KBM	GTS22IBM GTS22ICM	GTH18IBM GTS18ICM	GTS18HBM GTS18HCM	GTS22FBM	GTS18FBM	GTS18EBM
<b>Capacity</b>										
Total (cu. ft.)	21.7	21.7	17.9	15.6	21.8	17.9	17.6	21.8	17.6	17.6
Fresh food (cu. ft.)	15.35	15.35	12.87	11.69	15.47	12.89	13.62	15.47	13.62	13.62
Freezer (cu. ft.)	6.35	6.35	4.98	3.86	6.37	5.03	4.01	6.37	4.01	4.01
Shelf area (sq. ft.)	25.3/24.9	25.3	22.4 / 22.4 / 22.0	19.6	25.4/25.1	22.6/22.6/22.2	20.3	25.4	20.3	20.3
<b>Fresh Food Features</b>										
Upfront temperature controls	Illuminated	Illuminated	Illuminated	●	Illuminated	Illuminated	●	Illuminated	●	●
Cabinet shelves	4 Glass	4 Glass	4 Glass	4 Glass	3 Glass	3 Glass	3 Glass	3 (1 F/W wire, 1 split wire, 1 split glass)	3 (1 F/W wire, 1 split wire, 1 split glass)	3 (1 F/W wire, 1 split wire, 1 split glass)
(adjustable)	4 Split	4 Split	4 Split	4 Split	2 Split, 1 F/W	2 Split, 1 F/W	2 Split, 1 F/W	3	3	3
(spill-proof)	4	4	4	4						
Snugger™ clip	●	●	●	●						
Vegetable/fruit crisper(s)	2 Adj. Humidity	2 Adj. Humidity	2 Adj. Humidity	2	2	2	2	2	2	2
Snack pan	●	●	●	●	●	●	●	●	●	●
Pivot-out pan removal system	●	●	●	●	●	●	●	●	●	●
Modular gallon door bins	3 (Adj.)	3 (Adj.)	3 (Adj.)							
Fixed door bins	1 (Tall Bottle)	1 (Tall Bottle)	1 (Tall Bottle)		2 F/W (1 w/ gallon storage)	2 F/W (1 w/ gallon storage)				
Door shelves				2 w/ gallon storage	1 w/ gallon storage	1 w/ gallon storage	2 w/ gallon storage	3 (2 w/ gallon storage)	2 w/ gallon storage	2 Tall Bottle storage
Dairy compartment (butter dish)	●	●	●	●	●	●	●	●	●	●
Interior light system	Dual	Dual	Dual	Single	Dual	Dual	Single	Dual	Single	Single
Quiet Design	Deluxe	Deluxe	Deluxe	Deluxe	Deluxe	Deluxe	Deluxe	Deluxe	Deluxe	Deluxe
Automatic moisture control	●	●	●	●	●	●	●	●	●	●
NeverClean™ condenser	●	●	●	●	●	●	●	●	●	●
ENERGY STAR®		●	● / - / -			● / - / -				
<b>Freezer Features</b>										
Factory-installed electronic icemaker	Opt. (IM4) / ●	Opt. (IM4)	Opt. (IM4) / ●	Opt. (IM4)	Opt. (IM4) / ●	Opt. (IM4) / ●	Opt. (IM4) / ●	Opt. (IM4)	Opt. (IM4)	Opt. (IM4)
Ice 'N Easy trays	2 / -	2	2 / 2 / -	2	2 / -	2 / 2 / -	2 / -	2	2	2
Ice storage bin	- / Ice Bucket	-	- / - / Ice Bucket	- / Ice Bucket	- / Ice Bucket	- / - / Ice Bucket	- / Ice Bucket			
Ice shelf	Vertical / -	Vertical	Vertical / Vertical / -		Vertical / -	Vertical / Vertical / -		Vertical		
FrostGuard™ technology	●	●	●	●	●	●	●	●	●	●
Spill-proof freezer floor	●	●	●	●	●	●	●	●	●	●
Wire freezer compartment shelves	1 F/W (2 pos.)	1 F/W (2 pos.)	1 F/W (2 pos.)	Step	1 F/W (2 pos.)	1 F/W (2 pos.)	Step	1 F/W (2 pos.)	Step	Step
Modular door bins	1 (Adj.)	1 (Adj.)	2							
Fixed door bins	1 Split	1 Split								
Fixed door shelves				2	2 F/W w/ gallon storage	2 Full-width	2	2 w/gal. storage	2	2
Tilt-out locking freezer door bin	●	●	●							
Interior light	●	●	●							
<b>Exterior</b>										
Color(s) available*	WW, CC, BB	BS	WW, CC, BB	WW, CC	WW, CC	WW, CC	WW, CC	WW, CC	WW, CC	WW, CC
Door handle(s)*	CM	CM	CM	CM	CM	CM	CM	CM	CM	CM
Customer installed handles	●	●	●	●	●	●	●	●	●	●
Exterior design	Rounded Doors	Rounded Doors	Rounded Doors	Square Doors	Rounded Doors	Rounded Doors	Square Doors	Rounded Doors	Square Doors	Square Doors
Reversible doors	●	●	●	●	●	●	●	●	●	●
Adjustable rollers	Front	Front	Front	Front	Front	Front	Front	Front	Front	Front
<b>Weights &amp; Dimensions</b>										
Height to top of hinge (in.) A	67-1/2	67-1/2	66-5/8	64-3/4	67-1/2	66-5/8	67-3/8	67-1/2	67-3/8	67-3/8
Height to top of case (in.) B	66-7/8	66-7/8	66-1/8	64-1/4	66-7/8	66-1/8	66-7/8	66-7/8	66-7/8	66-7/8
Height to mid-freezer (in.)	54-1/2	54-1/2	53-15/16	54-3/8	54-1/2	53-15/16	57	54-1/2	57	57
Case depth without door (in.) C	27-5/8	27-5/8	27-1/2	25-7/8	27-5/8	27-1/2	26-3/4	27-5/8	26-3/4	26-3/4
Case depth less door handle (in.) D	31-5/8	31-5/8	30-1/4	29-1/8	31-5/8	30-1/4	30-1/2	31-5/8	30-1/2	30-1/2
Case depth with door handle (in.) E	33-5/8	33-5/8	32-1/8	31	33-5/8	32-1/8	32-3/8	33-5/8	32-3/8	32-3/8
Depth w/fresh food door open 90° (in.) F	63	63	58-1/8	54-7/8	63	58-1/8	56-3/8	63	56-3/8	56-3/8
Width (in.) G	32-7/8	32-7/8	29-1/2	28	32-7/8	29-1/2	28	32-7/8	28	28
Width w/door open 90° less door handle (in.) H	33	33	30	28-5/8	33	30	28-7/8	33	28-7/8	28-7/8
Air clearances Each side (in.)	1/8	1/8	1/8	3/4	1/8	1/8	3/4	1/8	3/4	3/4
Top (in.)	1	1	1	1	1	1	1	1	1	1
Back (in.)	1	1	1	1	1	1	1	1	1	1
Approx. shipping weight (lbs.)	255/260	255	231/231/236	185	255/260	226/226/231	192	255	187	187

\*Color(s) available: BS = Black case with Stainless Steel doors, WW = White on white, CC = Bisque on bisque, BB = Black on black, CM = Color-Matched.

ALL MODELS AVAILABLE IN U.S. AND CANADA.

## Top-Freezer No-Frost Refrigerator



Total volume and shelf area are calculated by the Association of Home Appliance Manufacturers' standards.



Listed by Underwriters Laboratories

**Note:** All Top-Freezer No-Frost Right-Hand Refrigerator Doors: As you face the front of the refrigerator, the handle is on your left and the hinges are on your right.  
All Top-Freezer No-Frost Left-Hand Refrigerator Doors: As you face the front of the refrigerator, the handle is on your right and the hinges are on your left.

See page 160 for warranty information.

Refrigeration

Cooking Products

Microwave Ovens

Dishwashers

Clothes Care

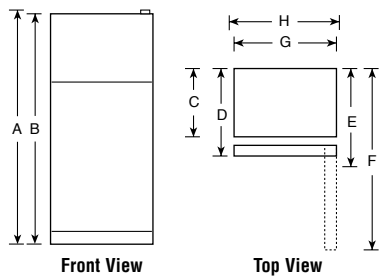
Air Conditioning

# GE® Top-Freezer Refrigerators

	GE "B" Series							GE "A" Series	
	GTR18BBM	GTS17BBM GTS17BCM	GTR17BBM	GTS15BBM GTH15BBM	GTS15BCM	GTR15BBM	GTS12BBM	GTS18ABM	GTS10AAM
<b>Capacity</b>									
Total (cu. ft.)	17.6	16.9	16.9	14.6	14.6	14.6	11.7	17.6	10.3
Fresh food (cu. ft.)	13.62	13.05	13.05	10.77	10.77	10.77	8.80	13.58	7.95
Freezer (cu. ft.)	4.01	3.86	3.86	3.86	3.86	3.86	2.90	4.01	2.37
Shelf area (sq. ft.)	18.0	17.5/16.7	17.5	17.2	16.4	17.2	13.6	16.9	14.0
<b>Fresh Food Features</b>									
Upfront temperature controls	●	●	●	●	●	●	●	●	●
Cabinet shelves	2 Wire	2 Wire	2 Wire	2 Wire	2 Wire	2 Wire	2 Wire	2 Wire	2 Wire
(adjustable)	2 F/W	2 F/W	2 F/W	2 F/W	2 F/W	2 F/W	2 F/W	2 F/W	2 F/W
Vegetable/fruit crisper(s)	2	2	2	2	2	2	Divided	1 F/W	1 F/W
Door shelves	2 (Tall Bottle)	2 (Tall Bottle)	2 (Tall Bottle)	2 (Tall Bottle)	2 (Tall Bottle)	2 (Tall Bottle)	2-1/2 (1 Tall Bottle)	2 (Tall Bottle)	4 (1 Tall Bottle)
Dairy compartment	●	●	●	●	●	●	●		
Interior light system	Single	Single	Single	Single	Single	Single	Single	Single	Single
Quiet Design	Deluxe	Deluxe	Deluxe	Deluxe	Deluxe	Deluxe	Deluxe	Deluxe	Deluxe
Automatic moisture control	●	●	●	●	●	●		●	
NeverClean™ condenser	●	●	●	●	●	●		●	
ENERGY STAR®				-/●					●
<b>Freezer Features</b>									
Factory-installed electronic icemaker & bin	Opt. (IM4)	Opt. (IM4) / ●	Opt. (IM4)	Opt. (IM4)	●	Opt. (IM4)	Opt. (IM4)	Opt. (IM4)	
Ice 'N Easy trays	2	2 / -	2	2		2	1	1	2
Ice storage bin		- / Ice Bucket			Ice Bucket				
Wire freezer compartment shelves									1 F/W
Fixed door shelves	2	2	2	2	2	2	2	2	2
<b>Exterior</b>									
Color(s) available*	WW, CC	WW, CC, AA WW, CC	WW, CC	WW, CC, AA WW, CC	WW, CC	WW, CC	WW, CC	WW	WW
Door handle(s)*	CM Recessed	CM	CM Recessed	CM	CM	CM Recessed	CM	CM	CM Recessed
Exterior design	Square Doors	Square Doors	Square Doors	Square Doors	Square Doors	Square Doors	Rounded Doors	Square Doors	Rounded Doors
Reversible doors	●	●	●	●	●	●	●	●	●
Choose right or left door opening		●	●	●	●	●	●	●	
Adjustable rollers	Front	Front	Front	Front	Front	Front		Front	
<b>Weights &amp; Dimensions</b>									
Height to top of hinge (in.) A	67-3/8	67-3/8	67-3/8	61-3/4	61-3/4	61-3/4	60-5/8	67-3/8	58-3/4
Height to top of case (in.) B	66-7/8	66-7/8	66-7/8	61-1/4	61-1/4	61-1/4	60-1/4	66-7/8	58-1/4
Height to mid-freezer (in.) C	57	57	57	51-3/8	51-3/8	51-3/8	51-3/4	57	50
Case depth without door (in.) D	26-3/4	26-3/4	26-3/4	25-7/8	25-7/8	25-7/8	27-1/2	26-3/4	25
Case depth less door handle (in.) E	30-1/2	30	30	29-1/8	29-1/8	29-1/8	30-1/4	30-1/2	27
Case depth with door handle (in.) F	30-1/2	31-7/8	30	31	31	29-1/8	32	32-3/8	27
Depth w/fresh food door open 90° (in.) G	56-3/8	55-3/4	55-3/4	54-7/8	54-7/8	54-7/8	51-5/8	56-3/8	48-3/4
Width (in.) H	28	28	28	28	28	28	23-3/8	28	23-5/8
Width w/door open 90° less door handle (in.) I	28-7/8	28-5/8	28-5/8	28-5/8	28-5/8	28-5/8	24-1/8	28-7/8	24-1/8
Air clearances Each side (in.)	3/4	3/4	3/4	3/4	3/4	3/4	3/4	3/4	1
Top (in.)	1	1	1	1	1	1	2	1	3
Back (in.)	1	1	1	1	1	1	3/4	1	1
Approx. shipping weight (lbs.)	178	179 / 184	178	166	171	165	155	177	158

\*Color(s) available: WW = White on white, CC = Bisque on bisque, AA = Almond on almond, CM = Color-Matched.  
**ALL MODELS AVAILABLE IN U.S. AND CANADA.**

## Top-Freezer No-Frost Refrigerator



Total volume and shelf area are calculated by the Association of Home Appliance Manufacturers' standards.



Listed by Underwriters Laboratories

**Note:** All Top-Freezer No-Frost Right-Hand Refrigerator Doors: As you face the front of the refrigerator, the handle is on your left and the hinges are on your right.  
 All Top-Freezer No-Frost Left-Hand Refrigerator Doors: As you face the front of the refrigerator, the handle is on your right and the hinges are on your left.

See page 160 for warranty information.

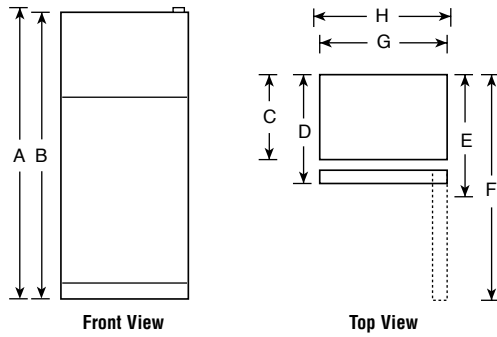


## GE Cycle and Manual Defrost Refrigerators

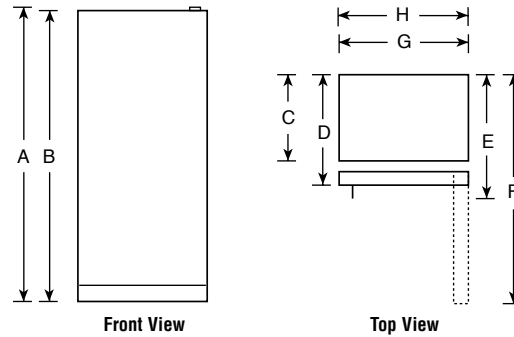
	GE	
	Cycle Defrost	Manual Defrost
	GFR12AAM	GMS10AAM
<b>Capacity</b>		
Total (cu. ft.)	11.7	9.7
Fresh food (cu. ft.)	9.04	8.74
Freezer (cu. ft.)	2.61	.97*
Shelf area (sq. ft.)	13.9	9.88
<b>Features</b>		
Ice 'N Easy trays	2	2
Freezer chiller tray with baffle		●
Cabinet shelves	2 Adj.	2 Adj.
Vegetable/fruit crisper	2	1 F/W
Door shelves	3	5 (2 Egg w/Pockets)
Tall bottle storage on door	●	●
Dairy compartment(s)	1 Full Door Width	1
Freezer compartment shelf(s)	1 F/W	1 F/W
<b>Economical/Quiet</b>		
Cabinet/door insulation	Foam	Foam
Cabinet/door liner	Plastic	Plastic
<b>Appearance</b>		
Color(s) available	White	White
Door handle(s)	White Recessed	Black
Reversible doors	●	●
Right or left door opening		●
<b>Weights &amp; Dimensions</b>		
Height to top of hinge (in.) A	59-1/2	58
Height to top of case (in.) B	59-5/16	57-9/16
Case depth without door (in.) C	26	21-3/8
Case depth with door less handle (in.) D	28	23-1/2
Case depth with door handle (in.) E	28	24-13/16
Depth with door open 90° less door handle (in.) F	50-1/8	44-13/16
Width (in.) G	23-1/2	23
Width w/door open 90° less door handle (in.) H	23-1/2	23-1/2
Air clearances Each side (in.)	1/4	5/8
Top (in.)	1	2
Back (in.)	2	1
Approx. shipping weight (lbs.)	139	135

\*Compartment for short-term storage of frozen food. The frozen food compartment of this refrigerator will make ice, and pre-frozen foods can be stored for about **two weeks**. It will not effectively freeze fresh foods or provide long-term storage for meats, poultry, or fish.

### Cycle Defrost Two-Door Refrigerator



### Manual Defrost Single-Door Refrigerator



Refrigeration

Cooking Products

Microwave Ovens

Dishwashers

Clothes Care

Air Conditioning

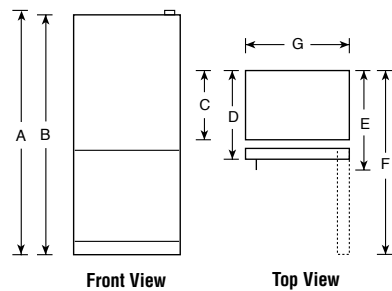
## GE Profile™ and GE® Bottom-Freezer Refrigerators

	GE Profile			GE	
	PDS21SBM	PDS18LBM	PDS18SBM	GBS22LBM	GBS18KBM
Stainless steel model	●		●		
<b>Capacity</b>					
Total (cu. ft.)	20.5	18.1	18.1	21.7	18.1
Fresh food (cu. ft.)	14.38	13.44	13.44	15.25	13.44
Freezer (cu. ft.)	6.13	4.64	4.64	6.51	4.64
Shelf area (sq. ft.)	26.7	21.0	21.0	30.1	22.3
<b>Fresh Food Features</b>					
Brita® Filtered Water Door Module		●	●		
Cabinet shelves	4 Glass	4 Glass	4 Glass	4 Glass	4 Glass
Adjustable	4 Split	4 Split	4 Split	4 Split	4 Split
Slide-out	3	2	2	3	
Spill-proof	4	4	4	4	4
ShelfSaver™ rack	●	●	●	●	
Vegetable/fruit crisper(s)	2 Adj. Humidity	2 Adj. Humidity	2 Adj. Humidity	2 Adj. Humidity	2 Adj. Humidity
Snack pan	Clear	Clear	Clear	Clear	Clear
Modular gallon door bins	4 (non-gallon)	3	3	4 (non-gallon)	3
Snuggler™ clip	●	●	●	●	●
Fixed door bins	1 F/W w/gal. storage	1 F/W w/gal. storage	1 F/W w/gal. storage	1 F/W w/gal. storage	1 F/W w/gal. storage
Dairy compartment	●	●	●	●	●
Interior light	Single	Dual	Dual	Single	Dual
Quiet Design	Deluxe	Deluxe	Deluxe	Deluxe	Deluxe
Automatic moisture control	●	●	●	●	●
NeverClean™ condenser		●	●		●
ENERGY STAR®	●				
<b>Freezer Features</b>					
Factory-installed electronic icemaker & bin	Opt. (UKKIT 3S)	Opt. (IM4)	Opt. (IM4)	Opt. (UKKIT 3S)	Opt. (IM4)
Ice 'N Easy trays	2	2	2	2	2
Ice tray shelf	●			●	
Ice storage bin	●			●	
Full slide-out wire basket(s)	2 F/W	1 F/W, 2 Split	1 F/W, 2 Split	1 F/W	1 F/W
Wire compartment shelves				1 F/W	2 Split
Door shelves				2 F/W	
Door can storage				●	
Interior light	●	●	●	●	●
<b>Exterior</b>					
Color(s) available*	BS	WW, CC, BB	BS	WW, CC, BB	WW, CC
Door handle(s)	Color-Matched Extruded	Color-Matched	Color-Matched	Color-Matched Extruded	Color-Matched
Customer installed handles		●		●	●
Exterior design	Square Doors	Rounded Doors	Rounded Doors	Square Doors	Rounded Doors
Door stops	●	●	●	●	●
Reversible doors	●	●	●	●	●
Choose left or right door opening			●		
Adjustable rollers	Front	Front	Front	Front	Front
<b>Weights &amp; Dimensions</b>					
Height to top of hinge (in.) A	68-3/8	66-1/4	66-1/4	68-3/8	66-1/4
Height to top of case (in.) B	67-5/8	65-3/4	65-3/4	67-5/8	65-3/4
Case depth without door (in.) C	28-3/4	25-1/4	25-1/4	28-3/4	25-1/4
Depth less door handle (in.) D	31-1/2	28	28	33	28
Depth with door handle (in.) E	32-5/8	30-3/8	30-3/8	34-5/8	30-3/8
Depth w/door open 90° (in.) F	63-1/8	57-3/4	57-3/4	64-1/2	57-3/4
Width (in.) G	32-5/8	31	31	32-5/8	31
Side clearance for 90° door open		2-3/8	2-3/8	1	2-1/4
Air clearances Each side (in.)	3/16	0	0	3/16	0
Top (in.)	1	1	1	1	1
Back (in.)	1	1/2	1/2	1	1/2
Approx. shipping weight (lbs.)	326	257	257	325	257

\*Color(s) available: BS = Black case with stainless steel doors, WW = White on white, CC = Bisque on bisque, BB = Black on black.

ALL MODELS AVAILABLE IN U.S. AND CANADA.

### Bottom-Freezer Refrigerators



Total volume and shelf area are calculated by the Association of Home Appliance Manufacturers' standards.



Listed by Underwriters Laboratories

See page 160 for warranty information.

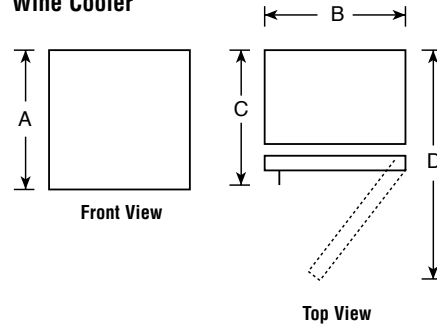




## GE Wine Cooler

GE	
GWR03AAM	
<b>Capacity</b>	
Total (cu. ft.)	2.4
Bottle capacity	24 Maximum
<b>Features</b>	
Adjustable temperature control (45-65°F)	Knob
See through door	●
Door design	Flat
Pull out and adjustable racks	4
External condenser	●
<b>Appearance</b>	
Color(s) available	Black case and trim
Free-standing	●
Meets California Energy Commission (CEC) requirements	●
Cabinet liner color	White
<b>Weights &amp; Dimensions</b>	
Height (in.) A	25-1/4
Width (in.) B	18-5/8
Depth with handle (in.) C	19-3/8
Depth with door open 90° (in.) D	37-1/4
Air clearances Back (in.)	5
Approx. shipping weight (lbs.)	51

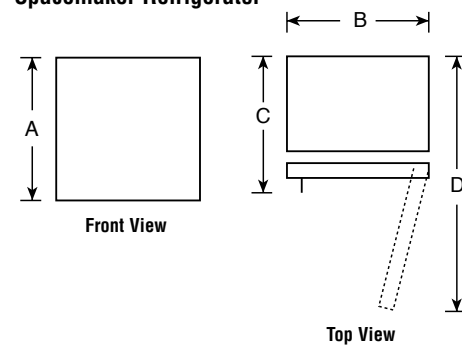
Wine Cooler



## GE Spacemaker™ Compact Refrigerators

GE			
	GMR06AAM	GMR04BAN	GMR02BAN
<b>Capacity</b>			
Total (cu. ft.)	6.0	4.3	1.7
Fresh food (cu. ft.)	5.51	3.89	1.51
Freezer (cu. ft.)	.49**	.42**	.21**
Shelf area (sq. ft.)	8.8	6.0	2.9
<b>Features</b>			
Ice 'N Easy trays	2 Mini	1 Mini	1 Mini
Manual defrost	●	●	●
Cabinet shelves (wire)	2 Adj.	2-1/2 Adj.	1
Can rack		●	
Door shelves	3 F/W	1 F/W, 2 half-width	1 F/W, 1 half-width
Interior light	●		
<b>Economical/Quiet</b>			
Cabinet/door insulation	Foam	Foam	Foam
Cabinet/door liner	HIPS	ABS	ABS
<b>Appearance</b>			
Color(s) available*	WW	WW, BB	WW, BB
Door handles	White Visor	Color-Matched Recessed	Color-Matched Recessed
Rounded doors		●	●
Reversible doors	●		
<b>Weights &amp; Dimensions</b>			
Height (in.) A	34-1/4	33-1/4	18-15/16
Width (in.) B	23-5/8	20-11/16	17-1/2
Depth with handle (in.) C	25-7/8	21-3/4	19-1/4
Depth with door open 90° (in.) D	47-1/2	40-1/4	35-1/2
Air clearances Each side (in.)	0†	1/2	1/2
Top (in.)	1-1/2	2	2
Back (in.)	3/4	2	2
Approx. shipping weight (lbs.)	88	79	51
<b>Accessories</b>			
Custom trim and black panel	TK6 Optional		

Spacemaker Refrigerator

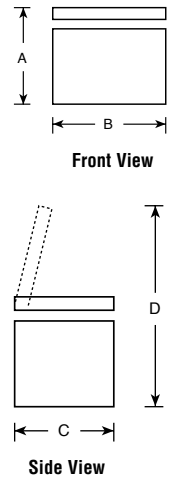


\*Color(s) available: WW = White on white, BB = Black on black.  
 \*\*Compartment for short-term storage of frozen food. The frozen food compartment of this refrigerator will make ice, and pre-frozen foods can be stored for about **two weeks**. It will not effectively freeze fresh foods or provide long-term storage for meats, poultry, or fish.  
 † If installed against a wall, allow 1-1/4" on hinge side to allow for proper door opening.



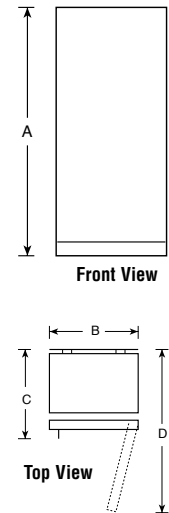
## GE® Chest Freezers

	GE®							
	FCM25RM	FCM20DM	FCM15DM	FCM15SM	FCM9DM	FCM7DN	FCM5DM	FCM5SM
<b>Capacity</b>								
Total volume (cu. ft.)	25.1	19.7	14.8	14.8	8.8	7.0	5.0	5.0
<b>Features</b>								
Manual defrost	●	●	●	●	●	●	●	●
Temperature control	Adjustable	Adjustable	Adjustable	Adjustable	Adjustable	Adjustable	Adjustable	Adjustable
Power "ON" light	●	●	●	●	●	●	●	●
Wraparound condenser	●	●	●	●	●	●	●	●
Wraparound evaporator	●	●	●	●	●	●	●	●
Limited food loss warranty*	●	●	●	●	●	●	●	●
Upfront defrost water drain	●	●	●	●	●	●	●	●
Interior light	●	●	●	●	●	●	●	●
Lock	●	●	●	●	●	●	●	●
Lift-out and sliding bulk storage basket(s)	4	3	2	1	2	2	2	1
<b>Economical/Quiet</b>								
Insulation (cabinet and lid)—Foam	●	●	●	●	●	●	●	●
Cabinet liner	Steel Epoxy-Coated	Steel Epoxy-Coated	Steel Epoxy-Coated	Steel Epoxy-Coated	Steel Epoxy-Coated	Textured Aluminum	Textured Aluminum	Textured Aluminum
<b>Appearance</b>								
Color available	White	White	White	White	White	White	White	White
Handle	●	●	●	Recessed	●	Recessed	Recessed	Recessed
Textured steel case and lid	●	●	●	●	●	●	●	●
<b>Weights &amp; Dimensions</b>								
Height (in.) A	35	35	35	35	34-1/4	33-1/8	33	33
Width (in.) B	73-7/8	61-1/4	48	48	41	38	29-1/8	29-1/8
Depth (in.) C	28-3/4	29-1/2	29-1/2	29-1/2	23-1/4	22-3/8	22-3/16	22-3/16
Height with lid open (in.) D	59-3/4	60-3/4	60-3/4	60-3/4	54-1/4	53-1/4	53-3/16	53-3/16
Air clearances	Each side (in.)	3	3	3	3	3	3	3
Back (in.)	3	3	3	3	3	3	3	3
Approx. shipping weight (lbs.)	245	195	161	161	127	126	101	101



## GE Upright Freezers

	GE							
	Frost-Free			Manual Defrost				
	FUF20DM	FUF17DM	FUF14DM	FUM21DM	FUM17DM	FUM14DM	FUM14SM	FUM5SM
<b>Capacity</b>								
Total volume (cu. ft.)	20.3	16.7	13.7	20.6	17.1	14.1	14.1	5.0
Shelf area (sq. ft.)	23.9	18.4	14.3	25.3	19.1	17.9	15.0	6.0
<b>Features</b>								
Temperature control	Adjustable	Adjustable	Adjustable	Adjustable	Adjustable	Adjustable	Adjustable	Adjustable
Limited food loss warranty*	●	●	●	●	●	●	●	●
Door shelves (total)	6	5	5	6	5	5	5	3
Defrost water drain	●	●	●	●	●	●	●	●
Interior light	●	●	●	●	●	●	●	●
Lock	●	●	●	●	●	●	●	●
Cabinet shelves (total)	5 (3 Adj.)	4 (3 Adj.)	3 (2 Adj.)	5 (1 Adj.)	4 (1 Adj.)	4 (1 Adj.)	3	2
Slide-out bulk storage basket	1	1	1	1	1	1	1	1
<b>Economical/Quiet</b>								
Defrost	Frost-Free	Frost-Free	Frost-Free	Manual	Manual	Manual	Manual	Manual
Magnetic door gasket	●	●	●	●	●	●	●	●
Cabinet liner	Baked enamel-on-steel	Baked enamel-on-steel	Baked enamel-on-steel	Baked enamel-on-steel	Baked enamel-on-steel	Baked enamel-on-steel	Baked enamel-on-steel	Polystyrene
Wraparound condenser	●	●	●	●	●	●	●	●
<b>Appearance</b>								
Color available	White	White	White	White	White	White	White	White
Door handle	●	●	●	●	●	●	Recessed	Recessed
Textured steel case/door	●	●	●	●	●	●	●	●
<b>Weights &amp; Dimensions</b>								
Height (in.) A	70	64-1/2	59	70	64-1/2	59	59	33-1/2
Width (in.) B	32	32	28	32	32	28	28	21-3/8
Depth (in.) C	28-1/2	26-1/2	28-1/2	28-1/2	26-1/2	28-1/2	28-1/2	26-1/8
Depth with door open 90° (in.) D	59-1/8	57-1/8	55-1/8	59-1/8	57-1/8	55-1/8	55-1/8	45-3/4
Air clearances	Each side (in.)	3	3	3	3	3	3	1
Top (in.)	3	3	3	3	3	3	3	4
Back (in.)	3	3	3	3	3	3	3	4
Approx. shipping weight (lbs.)	235	213	186	224	200	177	177	80



\*See written warranty for complete details.

See page 160 for warranty information.



## Create a Custom Look for Your GE Refrigerator

Decide from a choice of GE optional Panels and Trim to create a distinctive appearance for your new refrigerator. Pre-cut panels in Stainless steel, Black, White or Bisque provide an exciting way to express your individual taste and preference while complementing your kitchen.

### GE Profile CustomStyle™ Side-By-Side Refrigerators Acrylic and Stainless Steel Panels

Model No.	Black Acrylic Panels	White Acrylic Panels	Bisque Acrylic Panels	Stainless Steel Panels
PSI23NCN	PSPK23CBB	PSPK23CWW	PSPK23CCC	-
PSI23MGN	PSPK23DBB	PSPK23DWW	PSPK23DCC	PSPK23DSS
PSI23NGN	PSPK23DBB	PSPK23DWW	PSPK23DCC	PSPK23DSS

#### Collar Trim

Model No.	Black Collar Trim	White Collar Trim	Bisque Collar Trim	Stainless Steel Collar Trim
PSI23NCN	TRMBISBB	TRMBISWW	TRMBISCC	TRMBISSS
PSI23SCN	TRMBISBB	TRMBISWW	TRMBISCC	TRMBISSS
PSI23MGN	TRMBISBB	TRMBISWW	TRMBISCC	TRMBISSS
PSI23NGN	TRMBISBB	TRMBISWW	TRMBISCC	TRMBISSS
PSI23SGN	TRMBISBB	TRMBISWW	TRMBISCC	TRMBISSS

### GE Profile CustomStyle Top-Freezer No-Frost Refrigerators Acrylic Panels and Trim

Model No.	Black Acrylic Panels	White Acrylic Panels	Stainless Steel Panels	Black Collar Trim	White Collar Trim	Stainless Steel Collar Trim
PTI22MBM	PTPK22CBB	PTPK22CWW	PTPK22CSS	TRMBISBB	TRMBISWW	TRMBISSS
PTI22MFM	PTPK22DBB	PTPK22DWW	PTPK22DSS	TRMBISBB	TRMBISWW	TRMBISSS

### GE Spacemaker™ Compact Refrigerator

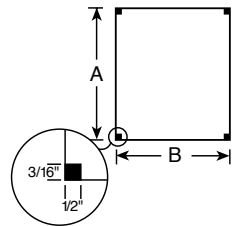
#### TK6 Trim

- Panel is black painted aluminum
- Trim is black plastic that covers entire side of door
- 1/4" wood can also be used with the trim

Order your own custom door panel to match cabinetry or other decor.  
 —Maximum panel thickness 1/4"  
 —Minimum panel thickness 1/8"  
 Notch all four corners of panel

#### Custom Trim

Model No.	Black Trim No.	Custom Panel Insert Cut-Out Dimensions (Inches)	
		A	B
GMRO6AAM	TK6	29	22-3/4

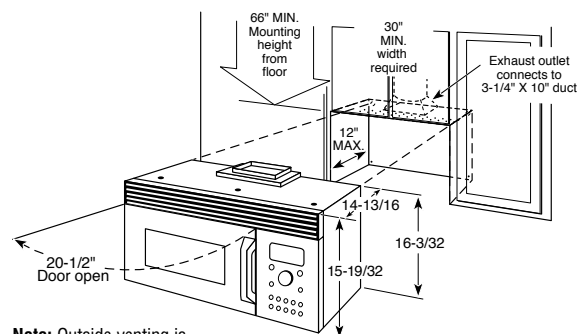


## Advantium™ Above-the-Cooktop Ovens

	GE Profile™ SCA2001BSS SCA2000BWW SCA2000BCC SCA2000BBB
<b>Features</b>	
Stainless steel oven interior	●
Family size oven	●
Oven controls:	
Electronic scrolling display	●
Over 100 preprogrammed menu items	●
Repeat last	●
Help mode	●
Demo mode	●
Interior oven light	●
Beeper sound level control	●
Variable scroll speed	●
Custom recipe saver	●
Cooking complete reminder	●
Child lockout	●
Two-speed high-capacity exhaust fan	●
Full-view cooktop lighting	●
Programmable night light	●
Frameless glass oven door with window	●
Microwave oven features:	
Sensor	●
Defrost - Auto/Time	●
Microwave power output watts	950
<b>Appearance</b>	
Color appearance	Stainless steel White on white Bisque on bisque Black on black
<b>Weights &amp; Dimensions</b>	
Approx. shipping weight (lbs.)	101
Overall oven interior dimensions (in inches)	
Height	8-13/32
Width	18-29/32
Depth	13-19/32
Overall dimensions (in inches)	
Exterior height (front)	15-19/32
Exterior height (rear)	16-3/32
Exterior width	29-7/8
Exterior depth (not including handle)	14-13/16
<b>Power/Ratings</b>	
Amps @ 240V/208V	30
<b>Accessories</b>	
Cookbook	●
Cooking guide	●
Grill tray	●
Cooking tray	●
White ceramic tray	●
Recirculating charcoal filter kit (optional)	JX81A
<b>Warranty</b>	
Full one-year in-home warranty*	●
Full ten-year lamp warranty*	●
Limited nine-year magnetron warranty*	●

**Filler panel kits**  
JX40WH-White  
JX40CT-Bisque  
JX41-Black  
**Decorative panel kit**  
JX22SS-Stainless steel

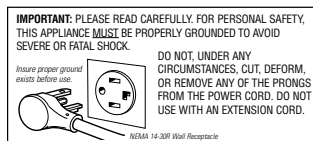
### Advantium Above-the-Cooktop Oven Dimensions (in inches)



**Note:** Outside venting is optional. Vent (duct) can be horizontal or vertical.

See page 160 for warranty information.

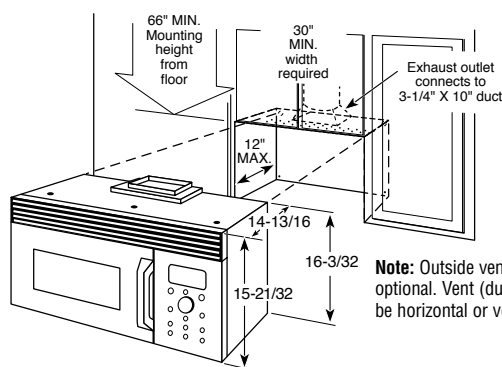
180



## Advantium™ 120 Above-the-Cooktop Ovens

	GE Profile SCA1001FSS SCA1000DWW SCA1000DCC SCA1000DBB
<b>Features</b>	
Stainless steel oven interior	●
Family size oven	●
Cooking modes:	
Speedcook	●
Traditional oven	●
Microwave oven	●
Warming	●
E-Z installation	●
Oven controls:	
Electronic scrolling display	●
Over 100 preprogrammed menu items	●
Repeat last	●
Help mode	●
Demo mode	●
Interior oven light	●
Beeper sound level control	●
Variable scroll speed	●
Custom recipe saver	●
Cooking complete reminder	●
Child lockout	●
Two-speed high-capacity exhaust fan	●
Intake air/grease filter	●
Full-view cooktop lighting	●
Programmable night light	●
Frameless glass oven door with window	●
Microwave oven features:	
Sensor	●
Defrost - Auto/Time	●
Microwave power output watts	900
<b>Appearance</b>	
Color appearance	Stainless steel White on white Bisque on bisque Black on black
<b>Weights &amp; Dimensions</b>	
Approx. shipping weight (lbs.)	95
Overall oven interior dimensions (in inches)	
Height	8-7/32
Width	21-3/32
Depth	14-3/32
Overall dimensions (in inches)	
Exterior height (front)	15-21/32
Exterior height (rear)	16-3/32
Exterior width	29-7/8
Exterior depth (not including handle)	14-13/16
<b>Power/Ratings</b>	
Input volt/hertz	120/60
Input amps/watts (max)	15/1800
<b>Accessories</b>	
Cookbook	●
Cooking guide	●
Cooking tray	●
Recirculating charcoal filter kit (optional)	JX81A
<b>Warranty</b>	
Full one-year in-home warranty*	●
Full three-year lamp warranty*	●
Limited ten-year magnetron warranty*	●

### Advantium 120 Above-the-Cooktop Oven Dimensions (in inches)



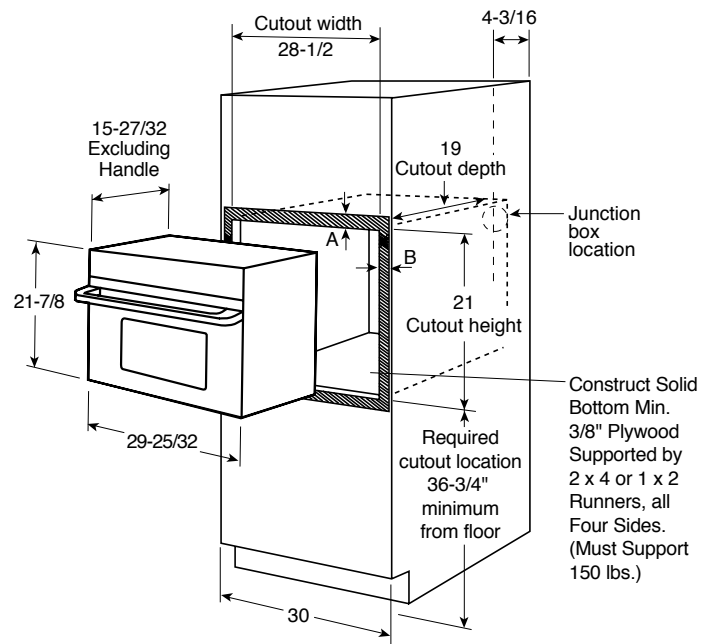
**Note:** Outside venting is optional. Vent (duct) can be horizontal or vertical.

## Advantium Wall Ovens

GEAppliances.com

	GE Profile
	<b>SCB2001CSS</b> <b>SCB2000CWW</b> <b>SCB2000CCC</b> <b>SCB2000CBB</b>
<b>Features</b>	
Stainless steel oven interior	•
Family size oven	•
Oven controls:	
Electronic scrolling display	•
Over 100 preprogrammed menu items	•
Repeat last	•
Help mode	•
Demo mode	•
Interior oven light	•
Beeper sound level control	•
Variable scroll speed	•
Custom recipe saver	•
Cooking complete reminder	•
Child lockout	•
Frameless glass oven door with window	•
Microwave oven features:	
Sensor	•
Defrost - Auto/Time	•
Microwave power output watts	950
<b>Appearance</b>	
Color appearance	Stainless steel White on white Bisque on bisque Black on black
<b>Weights &amp; Dimensions</b>	
Approx. shipping weight (lbs.)	101
Overall oven interior dimensions (in inches)	
Height	8-13/32
Width	18-29/32
Depth	13-19/32
Overall dimensions (in inches)	
Exterior height	21-7/8
Exterior width	29-25/32
Exterior depth (not including handle)	15-27/32
Oven cabinet width required (in inches)	30
Cutout height	21
Cutout width	28-1/2
Cutout depth	19
<b>Power/Ratings</b>	
Amps @ 240V/208V	30
<b>Accessories</b>	
Cookbook	•
Cooking guide	•
Grill tray	•
Cooking tray	•
White ceramic tray	•
<b>Warranty</b>	
Full one-year in-home warranty*	•
Full ten-year lamp warranty*	•
Limited nine-year magnetron warranty*	•

### Advantium Wall Oven Dimensions and Cabinet Installation (in inches)



A=Allow 1" overlap of oven over top and bottom edges of cutout.  
 B=Allow 11/16"-3/4" for overlap of oven over side edges of cutout.

**Note:** Cabinets installed adjacent to wall ovens must have an adhesion spec of at least 194° F temperature rating.

**Most 30" Wall Cabinets can be used with this unit.**

**Note:** 2" minimum between cutouts when installed above warming drawer or single wall oven.

**Wall oven trim kits**  
 SC20WW-White  
 SC20CC-Bisque  
 SC20BB-Black

See page 160 for warranty information.

## 30" Built-In Double Ovens

	GE Profile™		GE®		GE Profile	GE
	Convection Double Ovens		Double Ovens		Microwave Double Ovens	Microwave Double Ovens
	JTP56SD JTP56WD JTP56CD JTP56BD	JTP45SD JTP45WD JTP45CD JTP45BD	JTP27WD JTP27BD	JTP95WD JTP95BD	JTP85WD JTP85BD	
<b>Features</b>						
	Upper	Convection/ Self-Clean	Self-Clean	Self-Clean	Microwave	Microwave
Oven interior	Lower	Thermal/ Self-Clean	Self-Clean	Standard	Convection/ Self-Clean	Self-Clean
Cleaning time		Variable	Variable	Variable (upper)	Variable (lower)	Variable (lower)
Automatic self-clean oven door lock		●	●	Upper	Lower	Lower
Self-clean oven w/Delay Clean option		●	●	Upper	Lower	Lower
TrueTemp™ System		●	●	Upper	Lower	Lower
CleanDesign oven interior		●	●	●	Lower	●
Variable broil/Six-pass broil element		●	●	●	Lower	Lower
SmartSet Controls		●	●	Upper	●	●
Proofing		●	●	●	●	●
Convection conversion	Upper	●	●	●	Lower	●
Convection Bake	Upper	●	●	●	Lower	●
Convection Roast	Upper	●	●	●	Lower	●
Automatic meat thermometer	Upper	●	●	●	Lower	●
Temperature display		●	●	Upper	Lower	●
Start pad		●	●	Upper	●	●
Delay Bake option w/Cook & Hold		●	●	Upper	Lower	Lower
C° or F° programmable		●	●	Upper	Lower	Lower
Audible preheat signal		●	●	Upper	Lower	Lower
Auto oven shut-off w/override		●	●	Upper	Lower	Lower
Electronic clock and kitchen timer		●	●	●	●	●
Control lock capability		●	●	Upper	Lower	Lower
Oven light		Halogen	●	●	Halogen Lower	Lower
Certified Sabbath mode		●	●	Upper	●	●
<b>Microwave oven features:</b>						
Microwave cooking timer					99-Min./99-Sec.	99-Min./99-Sec.
Microwave power levels					10	10
Sensor functions					6	3
Electronic MWO touch controls					●	●
Microwave oven cavity (cu. ft.)					1.6	1.6
MWO power output watts					1000	1000
Turntable					●	●
Oven racks	Upper	3 Heavy-Duty	2	2		
	Lower	2 Heavy-Duty	2	2	3 Heavy-Duty	2
Embossed rack positions		7 Upper/6 Lower	6 Upper/Lower	6 Upper/Lower	7 Lower	6 Lower
Roasting rack		Upper	●	●	Lower	●
Broiler pan with grid		●	●	●	Lower	Lower
<b>Appearance</b>						
		SS WW CC BB	SS WW CC BB	WW BB	WW BB	WW BB
Color appearance*						
Frameless oven doors		Stainless White Glass Bisque Glass Black Glass	Stainless White Glass Bisque Glass Black Glass	White Glass Black Glass	White Glass Black Glass	White Glass Black Glass
Big ClearView™ windows		●	●	●	Lower	Lower
Lift-off oven doors		●	●	●	Lower	Lower
Designer-style handles		Integrated	Sure Grip	Sure Grip	Integrated	Sure Grip
Flush appearance installation		●	●	●	●	●
<b>Weights &amp; Dimensions</b>						
Approx. shipping weight (lbs.)		250	250	250	250	250
Oven cabinet width required (in.)		30	30	30	30	30
Overall dimensions (WxHxD in inches)		29-3/4 x 52-7/8 x 23-1/2			29-3/4 x 43-1/2 x 23-1/2	
Overall oven interior dimensions (WxHxD in inches)	Upper	24 x 16-1/4 x 18-1/4	24 x 17-1/2 x 18-1/4		16-1/4 x 9-5/8 x 15-3/4	
	Lower	24 x 16-1/4 x 18-1/4	24 x 17-1/2 x 18-1/4		24 x 16-1/4 x 18-1/4	
<b>Power/Ratings</b>						
KW rating @ 240V		7.2	7.2	8.8	6.6	6.6
	208V	5.4	5.4	6.6	5.3	5.3
Amps @ 240V		40	40	40	30	30
	208V	30	30	40	30	30
Convection wattage		2500			2500	
Broiler/bake wattage		3600/2700	3600/3410	3600/3410	3600/2700	3600/3410

\*SS = Stainless Steel, WW = White on white, CC = Bisque on bisque, BB = Black on black.

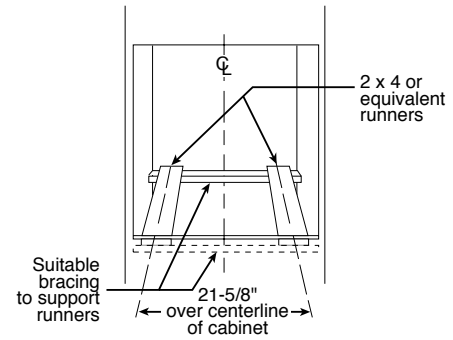
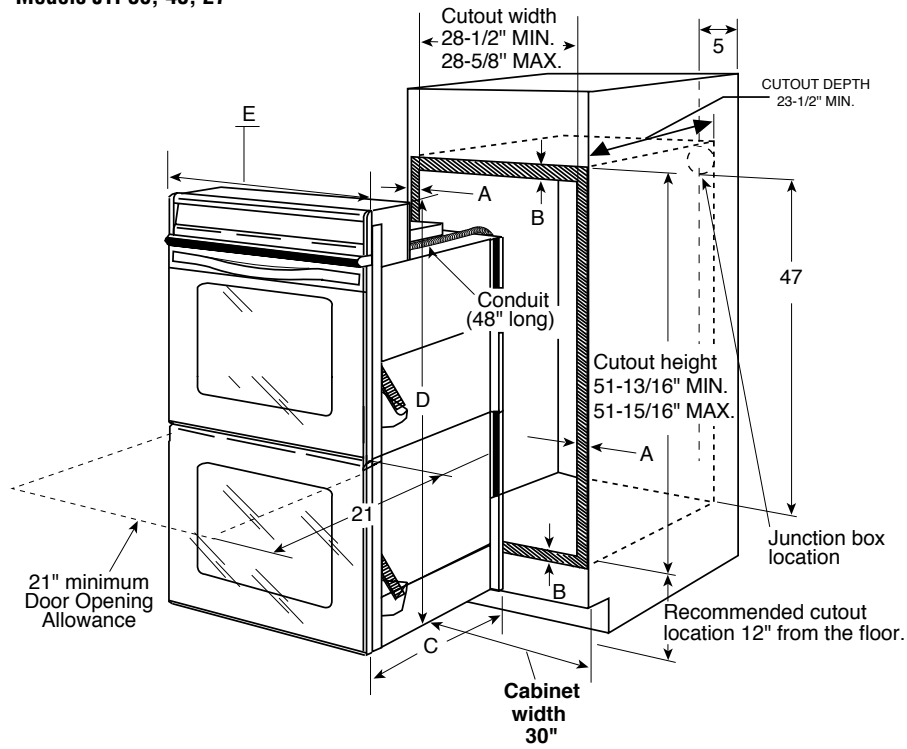


See page 160 for warranty information.



### 30" Built-In Double Ovens (continued)

30" Built-In Double Oven Dimensions (in inches)  
Models JTP56, 45, 27



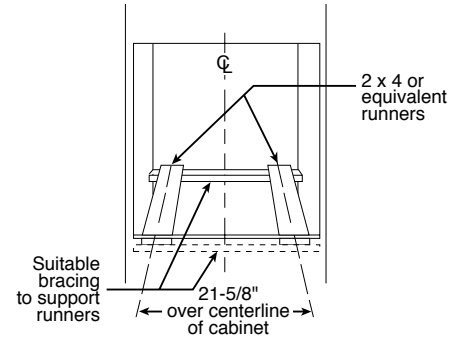
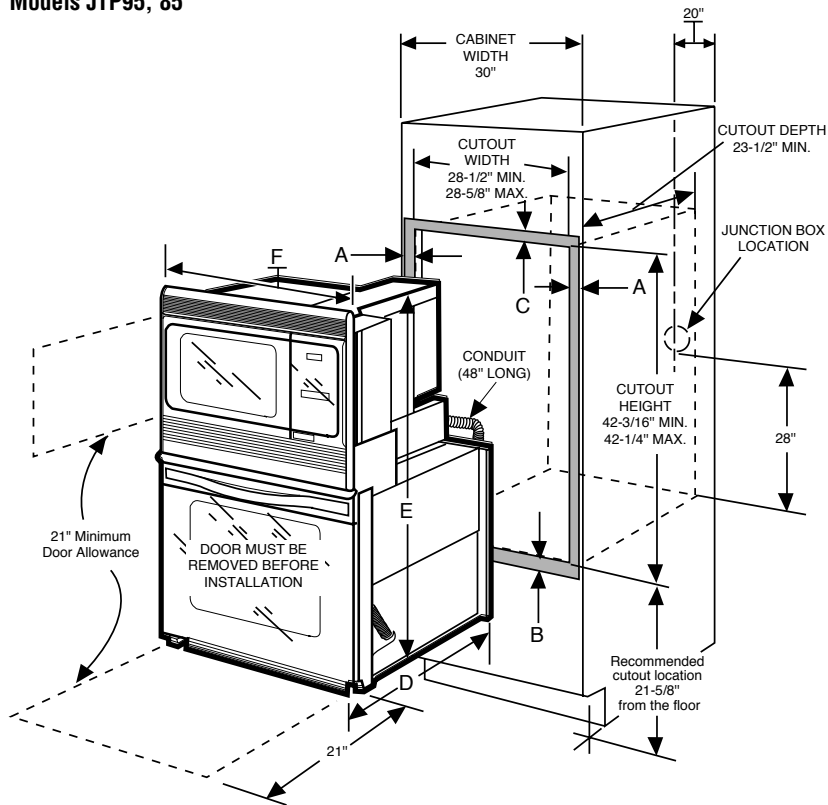
(Must support 275 lbs.)

Cabinet	30"
A - Overlap of Oven Over Side Edges of Cutout	11/16" - 3/4"
B - Overlap of Oven at Top and Bottom of Cutout	1"
Oven	
C - Overall Depth	23-1/2"
D - Overall Height	52-7/8"
E - Overall Width	29-3/4"

Note: Cabinets installed adjacent to wall ovens must have an adhesion spec of at least a 194°F temperature rating.

MOST 30" WALL CABINETS CAN BE USED WITH THIS UNIT  
THE OPENING BETWEEN THE INSIDE WALLS MUST BE AT LEAST 28-1/2" WIDE

### 30" Built-In Microwave Double Oven Dimensions (in inches) Models JTP95, 85



(Must support 275 lbs.)

Cabinet	30"
A - Overlap of Oven Over Side Edges of Cutout	11/16"
B - Overlap of Oven at Bottom of Cutout	1"
C - Overlap of Oven at Top of Cutout	1/2"
Oven	
D - Overall Depth	23-1/2"
E - Overall Height	43-1/2"
F - Overall Width	29-3/4"

Note: Cabinets installed adjacent to wall ovens must have an adhesion spec of at least a 194°F temperature rating.

MOST 30" WALL CABINETS CAN BE USED WITH THIS UNIT  
THE OPENING BETWEEN THE INSIDE WALLS MUST BE AT LEAST 28-1/2" WIDE

Installation Information: Before installing, consult installation instructions packed with product for current dimensional data.

See page 160 for warranty information.



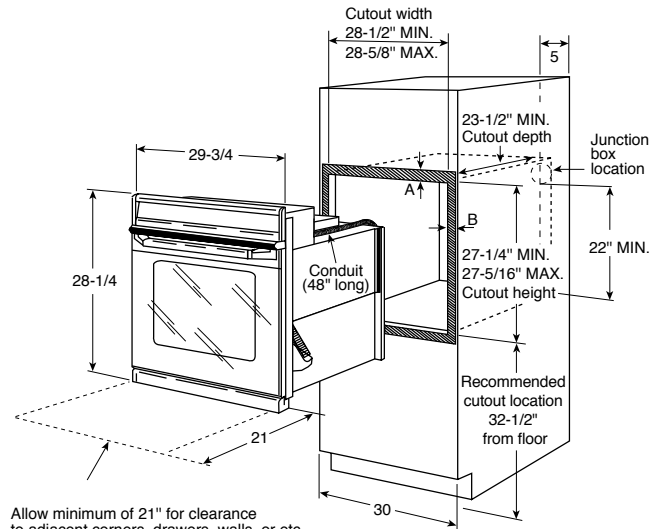
## 30" Built-In Single Ovens

	GE Profile™	GE®
	Convection Single Ovens	Single Ovens
	JTP18SD JTP18WD JTP18CD JTP18BD	JTP15SD JTP15WD JTP15CD JTP15BD
<b>Features</b>		
Oven interior	Convection/Self-Clean	Self-Clean
Cleaning time	Variable	Variable
Automatic self-clean oven door lock	●	●
Self-clean oven w/Delay Clean option	●	●
TrueTemp™ system	●	●
CleanDesign oven interior		
Variable broil/Six-pass broil element	●	●
SmartSet Controls	●	●
Proofing	●	
Convection conversion	●	
Convection Bake	●	
Convection Roast	●	
Automatic meat thermometer	●	
Temperature display	●	●
Start pad	●	●
Delay Bake option with Cook & Hold	●	●
C° or F° programmable	●	●
Audible preheat signal	●	●
Auto oven shut-off w/override	●	●
Electronic clock and kitchen timer	●	●
Control lock capability	●	●
Oven light	Halogen	●
Certified Sabbath mode	●	●
Oven racks	3 Heavy-Duty	2
Embossed rack positions	7	6
Roasting rack	●	
Broiler pan with grid	●	●
<b>Appearance</b>		
	SS WW CC BB	SS WW CC BB
Color appearance*	Stainless White Glass Bisque Glass Black Glass	Stainless White Glass Bisque Glass Black Glass
Frameless oven door	●	●
Big ClearView™ window	●	●
Lift-off oven door	●	●
Designer-style handle	Integrated	Sure Grip
Flush appearance installation	●	●
Undercounter installation	●	●
<b>Weight &amp; Dimensions</b>		
Approx. shipping weight (lbs.)	135	130
Oven cabinet width required (in.)	30	30
Overall dimensions (WxHxD in inches)	29-3/4 x 28-1/4 x 23-1/2	
Overall oven interior dimensions (WxHxD in inches)	24 x 16-1/4 x 18-1/4	24 x 17-1/2 x 18-1/4
<b>Power/Ratings</b>		
KW rating @ 240V	3.6	3.6
208V	2.7	2.7
Amps @ 240V	20	20
208V	20	20
Convection wattage	2500	
Broiler/bake wattage	3600/2700	3600/3410

\*SS = Stainless Steel, WW = White on white, CC = Bisque on bisque, BB = Black on black.

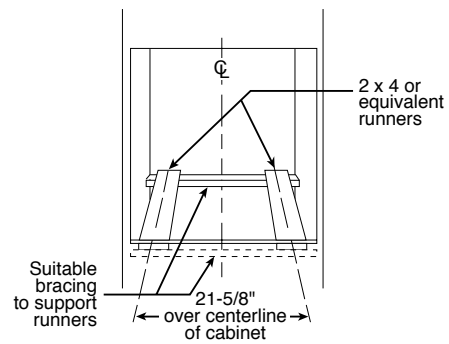


### 30" Built-In Single Oven Dimensions (in inches) Single Oven Wall-Mount or Cabinet Installation (in inches)



Allow minimum of 21" for clearance to adjacent corners, drawers, walls, or etc.

A=Allow 1" overlap of oven over top and bottom edges of cutout.  
B=Allow 11/16"-3/4" for overlap of oven over side edges of cutout.



(Must support 275 lbs.)

Most 30" Wall Cabinets can be used with this unit.

Note: These ovens are *not* approved for stackable or side-by-side installations.

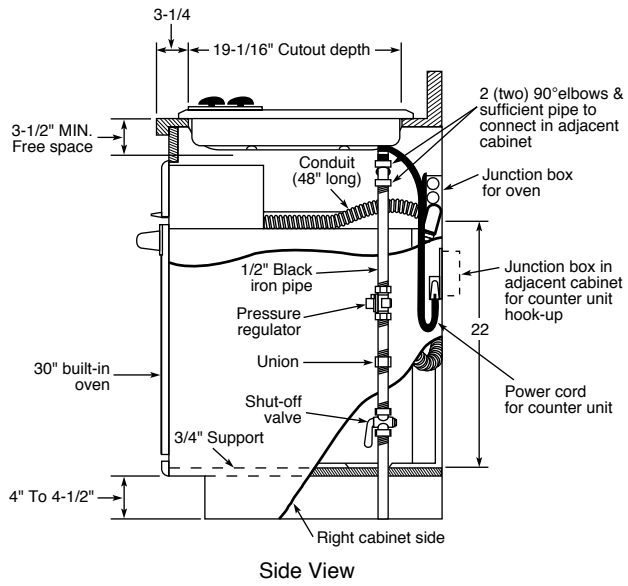
Note: Cabinets installed adjacent to wall ovens must have an adhesion spec of at least a 194°F temperature rating.





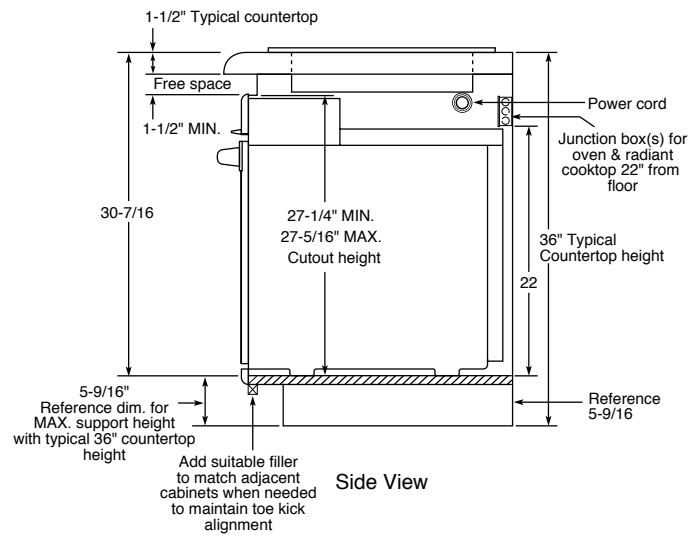
### 30" Built-In Single Ovens (continued)

#### Optional Undercounter Installation With 36" Gas Cooktop (in inches)



**Note:** For standard or sealed burner cooktop installation information over the 30" wall oven, refer to 27" wall oven installation, page 189.

#### Optional Undercounter Installation With 30" CleanDesign or Sealed Burner Gas Cooktop (in inches)

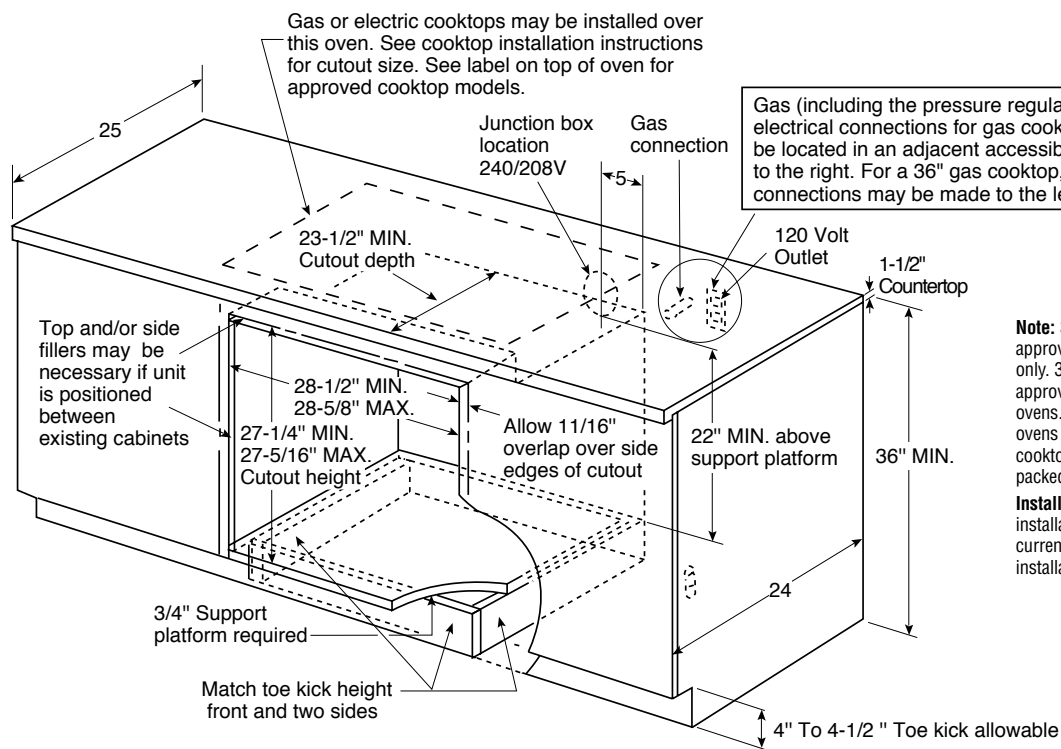


This installation is to achieve minimum gap between bottom of countertop and control panel.

**Note:** For this installation, the bottom trim **will not** be flush with a typical 4" toe kick.

**Note:** Cabinets installed adjacent to wall ovens must have an adhesion spec of at least a 194°F temperature rating.

#### Undercounter Installation (in inches)



**Note:** 36" ribbon cooktops (excluding JP968) are approved for use over GE 30" single wall ovens only. 30" ribbon cooktops (excluding JP938) are approved for use over GE 30" and GE 27" single wall ovens. Model JP938 can be installed over 27" wall ovens except stainless model JKP18SD. Refer to cooktop and wall oven installation information packed with products for current dimensional data.

**Installation Information:** Before installing, consult installation instructions packed with product for current dimensional data and for alternate installation options.



## 27" and 24" Built-In Double Ovens

	GE Profile™		GE®			
	27" Convection Double Ovens		27" Double Ovens		27" Microwave Double Ovens	24" Double Oven
Oven Features	JKP56SD JKP56WD JKP56CD JKP56BD	JKP45WD JKP45CD JKP45BD	JKP27WD JKP27BD	JKP85WD JKP85BD	JRP24BD	
<b>Features</b>						
Oven interior	Upper Oven Lower Oven	Convection/Self-Clean Self-Clean	Self-Clean Self-Clean	Self-Clean Standard	Microwave Self-Clean	Self-Clean Standard
Variable cleaning time	●	●	●	Upper	Lower	Upper
Self-clean oven	●	●	●	Upper	Lower	Upper
Automatic self-clean oven door lock	●	●	●	Upper	Lower	Upper
Delay Clean option	●	●	●	Upper	Lower	Upper
TrueTemp™ System	●	●	●	Upper	Lower	
CleanDesign oven interior	●	●	●	Upper	Lower	
Variable broil	●	●	●	●	Lower	Upper
SmartSet Controls	●	●	●	Upper	Lower	Upper
Proofing	Upper					
Convection conversion	Upper					
Convection Bake	Upper					
Convection Roast	Upper					
Auto. meat thermometer	Upper					
Temperature display	●	●	●	Upper	●	Upper
Start pad	●	●	●	Upper	●	Upper
Cook & Hold	●	●	●	Upper	●	Upper
Delay Bake option	●	●	●	Upper	Lower	Upper
C° or F° programmable	●	●	●	Upper	Lower	Upper
Audible preheat signal	●	●	●	●	Lower	●
Auto oven shut-off w/override	●	●	●	Upper	Lower	Upper
Electronic clock and kitchen timer	●	●	●	●	●	●
Control lock capability	●	●	●	Upper	Lower	Upper
Oven light	Halogen	●	●	●	●	●
Certified Sabbath mode	●	●	●	Upper		
Microwave oven features:						
Microwave cooking timer					99-Min./99-Sec.	
Microwave power levels					10	
Sensor functions					3	
Electronic MWO touch controls					●	
Microwave oven cavity (cu. ft.)					1.6	
MWO power output watts					1000	
Turntable					●	
Oven racks	3 Heavy-Duty Upper 2 Heavy-Duty Lower	2 Upper/Lower	2 Upper/Lower	2-Lower	2 Upper/Lower	
Embossed rack positions	4	4	4			
Roasting rack	Upper					
Broiler pan with grid	●	●	●	●	●	
<b>Appearance</b>						
Color appearance*	SS WW CC BB	WW CC BB	WW BB	WW BB	BB	
Frameless oven doors	Stainless White Glass Bisque Glass Black Glass	White Glass Bisque Glass Black Glass	White Glass Black Glass	White Glass Black Glass	Black Glass	
Big ClearView™ windows	●	●	●	●	Standard	
Lift-off oven door	Lower	●	●	●	●	
Designer-style handles	Integrated	Sure Grip	Sure Grip	Sure Grip	●	
Flush appearance installation	●	●	●	●	●	
<b>Weight &amp; Dimensions</b>						
Approx. shipping weight (lbs.)	162	157	157	155	135	
Oven cabinet width required (in inches)	27	27	27	27	24	
Overall dimensions (WxHxD inches)	← 26-5/8 x 51 x 23-5/8 →			26-5/8 x 42-1/2 x 23-5/8	23-3/4 x 48-5/8 x 23-1/8	
Overall oven interior dimensions (WxHxD in inches)	← 21-1/2 x 17 x 18-1/4 →			16 x 11-1/8 x 13-3/8	17 x 15 x 18-1/2	
	Upper					
	Lower	← 21-1/2 x 17 x 18-1/4 →			17 x 15 x 18-1/2	
<b>Power/Ratings</b>						
KW rating @ 240V	6.8	6.8	7.1	6.4	7.1	
208V	5.1	5.1	5.3	5.1	5.3	
Amps @ 240V	30	30	30	30	30	
208V	30	30	30	30	30	
Convection wattage	2500					
Broiler/bake wattage			3400/2650			
Upper/Lower	3400/2640	3400/2650	3400/2000	3400/2650	3400/2600	

\*SS = Stainless Steel, WW = White on white, CC = Bisque on bisque, BB = Black on black.

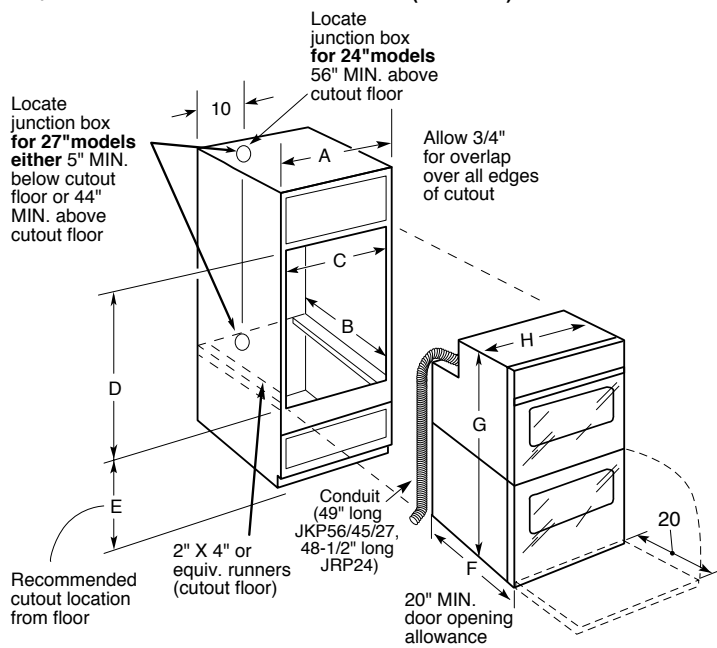


See page 160 for warranty information.



## 27" and 24" Built-In Double Ovens (continued)

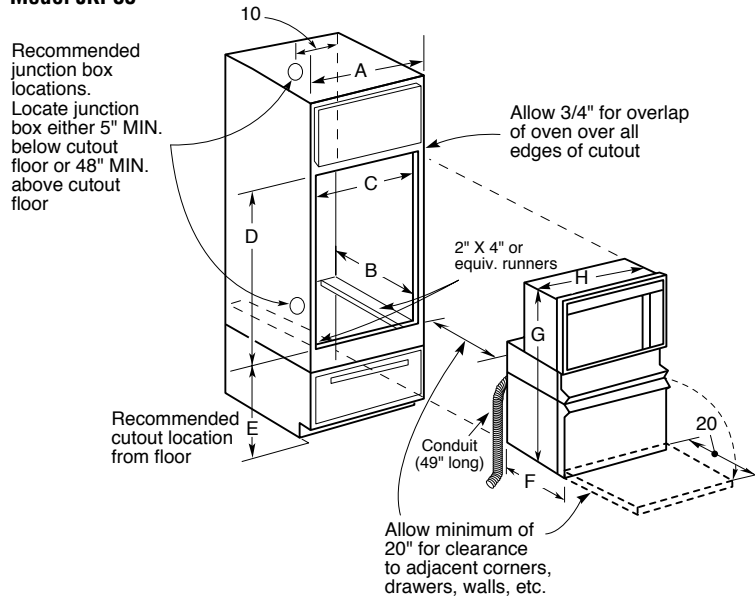
### 27"/24" Built-In Double Oven Dimensions (in inches)



**Note:** Cabinets installed adjacent to wall ovens must have an adhesion spec of at least a 194°F temperature rating.

**Note:** If marks, blemishes or the cutout opening is visible above the installed oven, it may be necessary to add wood shims under the runners and front trim until the marks or openings are covered.

### 27" Built-In Microwave Double Oven Dimensions (in inches) Model JKP85



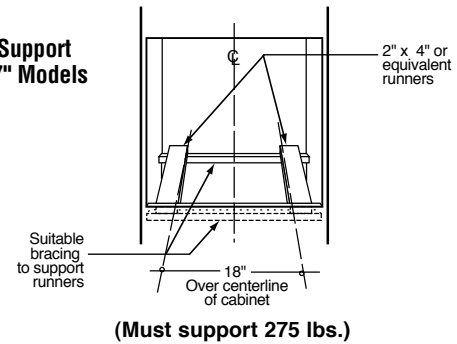
**Note:** Cabinets installed adjacent to wall ovens must have an adhesion spec of at least a 194°F temperature rating.

**Note:** If marks, blemishes or the cutout opening is visible above the installed oven, it may be necessary to add wood shims under the runners and front trim until the marks or openings are covered.

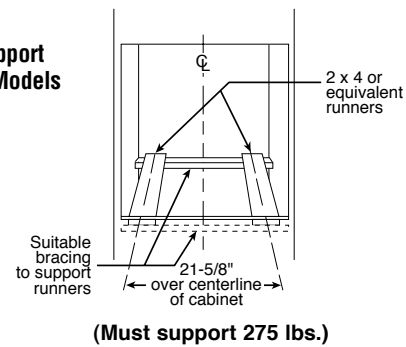
**Installation Information:** Before installing, consult installation instructions packed with product for current dimensional data.

GEAppliances.com

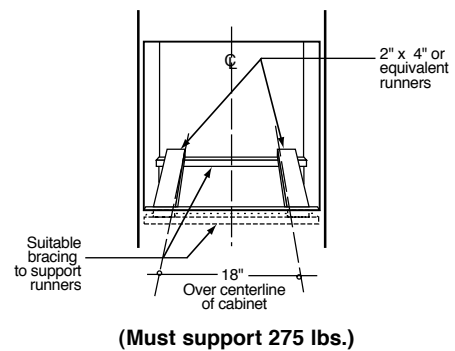
### Oven Support For 27" Models



### Oven Support For 24" Models



Cabinet	JKP56/45/27	JRP24
A - Cabinet Width Required	27" min.	24" min.
B - Minimum Cabinet Depth	23-5/8"	23-1/2"
C - Opening Width	25" min. - 25-1/4 max.	22-1/2"
D - Opening Height	50-1/8" max.	48-1/8" min.
E - Recommended Minimum Cutout Location from Floor	13-1/4"	14"
<b>Oven</b>		
F - Overall Depth	23-5/8"	23-1/8"
	w/o trim	50-1/4"
G - Overall Height	with trim	51"
H - Overall Width	26-5/8"	23-3/4"



Cabinet	27"
A - Cabinet Width Required	27" min.
B - Minimum Cabinet Depth	23-5/8"
C - Opening Width	25" min. - 25-1/4 max.
D - Opening Height	41-1/4" max.
E - Minimum Cutout Location from Floor	22"
<b>Oven</b>	
F - Overall Depth	23-5/8"
	w/o trim
G - Overall Height	with trim
H - Overall Width	26-5/8"

See page 160 for warranty information.

187



## 27" and 24" Built-In Single Ovens

	GE Profile™	GE			
	27" Convection Single Ovens	27" Single Ovens		24" Single Ovens	
	JKP18SD JKP18WD JKP18CD JKP18BD	JKP15WD JKP15CD JKP15BD	JKS05BD	JRP15WW JRP15BW	JRS04BW
<b>Features</b>					
Oven interior	Convection/Self-Clean	Self-Clean	Standard	Self-Clean	Standard
Variable cleaning time	●	●		●	
Automatic self-clean oven door lock	●	●		●	
Self-clean oven w/Delay Clean option	●	●		●	
TrueTemp™ system	●	●			
CleanDesign oven interior	●				
Variable broil	●	●	●	●	●
SmartSet controls	●	●	●	●	●
Convection conversion	●				
Conv. Bake/Conv. Roast	●				
Automatic meat thermometer	●				
Temperature display	●	●	●	●	●
Start pad	●	●	●	●	●
Delay Bake option w/Cook & Hold	●	●	●	●	●
C° or F° programmable	●	●	●	●	●
Audible preheat signal	●	●	●	●	●
Auto oven shut-off w/override	●	●	●	●	●
Electronic clock and kitchen timer	●	●	●	●	●
Control lock capability	●	●	●	●	●
Oven light	Halogen	●	●	●	●
Certified Sabbath mode	●	●	●		
Oven racks	3 Heavy-Duty	2	2	2	2
Embossed rack positions	4	4			
Roasting rack	●				
Broiler pan with grid	●	●	●	●	●
<b>Appearance</b>					
Color appearance*	SS WW CC BB	WW CC BB	BB	WW BB	BB
Frameless oven door	Stainless White Glass Bisque Glass Black Glass	White Glass Bisque Glass Black Glass	Black Glass	White Glass Black Glass	Black Glass
Big ClearView™ window	●	●	●	Standard	Standard
Lift-off oven door	●	●	●	●	●
Designer-style handle	Integrated	Sure Grip	●	●	●
Flush appearance installation	●	●	●		
Undercounter installation	●	●	●		
<b>Weight &amp; Dimensions</b>					
Approx. shipping weight (lbs.)	98	93	91	114	82
Oven cabinet width required (in.)	27	27	27	24	24
Overall dimensions (WxHxD in inches)	← 26-5/8 x 29 x 23-5/8 →			← 23-3/4 x 28-3/16 x 23-1/8 →	
Overall oven interior dimensions (WxHxD in inches)	← 21-1/2 x 17 x 18-1/4 →			← 17 x 15 x 18-1/2 →	
<b>Power/Ratings</b>					
KW rating @ 240V	3.4	3.4	3.4	3.4	3.4
208V	2.6	2.6	2.6	2.6	2.6
Amps @ 240V	20	20	20	20	20
208V	20	20	20	20	20
Convection wattage	2500				
Broiler/bake wattage	3400/2640	3400/2650	3400/2000	3400/2600	3400/2000

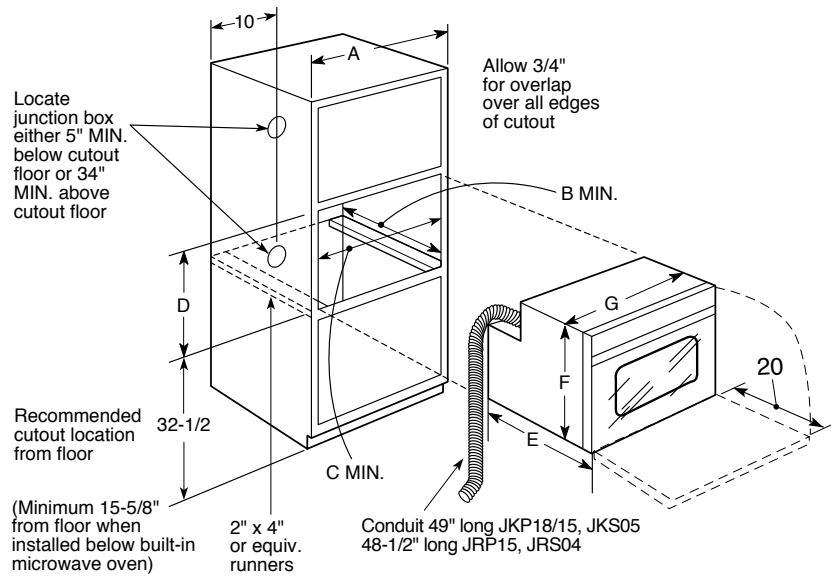
\*SS = Stainless Steel, WW = White on white, CC = Bisque on bisque, BB = Black on black.



See page 160 for warranty information.



**27"/24" Built-In Single Oven Dimensions (in inches)**



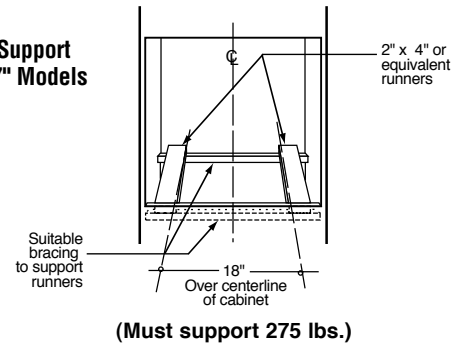
**Note: Models JKS05, JRP15 and JRS04 are not approved for stackable or side-by-side installations.**

**Note: Models JKP18 and JKP15 can be installed side-by-side with no less than 30" distance between center-to-center of each oven.**

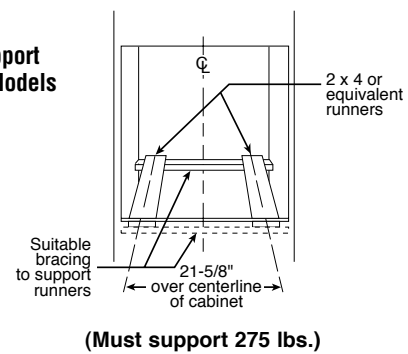
**Note:** Cabinets installed adjacent to wall ovens must have an adhesion spec of at least a 194°F temperature rating.

**Note:** For 27" built-in single ovens, if marks, blemishes or the cutout opening is visible above the installed oven, it may be necessary to add wood shims under the runners and front trim until the marks or openings are covered.

**Oven Support For 27" Models**



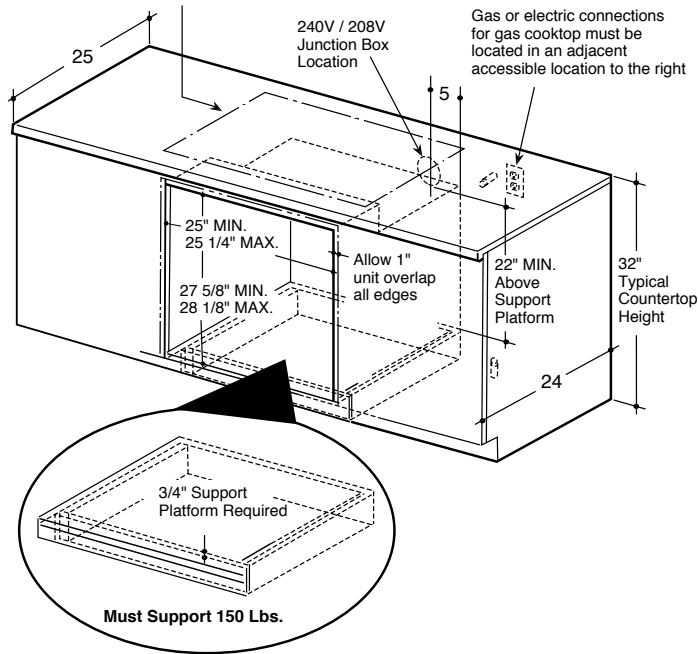
**Oven Support For 24" Models**



Cabinet	JKP18/15, JKS05	JRP15, JRS04
A - Cabinet Width Required	27" min.	24" min.
B - Minimum Cabinet Depth	23-5/8"	23-1/2"
C - Opening Width	25" min. - 25-1/4 max.	22-1/2"
D - Opening Height	27-5/8" min. - 28-1/8" max.	27-5/8" min.
<b>Oven</b>		
E - Overall Depth	23-5/8"	23-1/8"
	w/o trim	28-1/4"
	with trim	27-1/2"
F - Overall Height	29"	28-3/16"
G - Overall Width	26-5/8"	23-3/4"

**Undercounter Installation Dimensions (in inches)  
Models JKP18, 15 and JKS05 (except JKP18SD)**

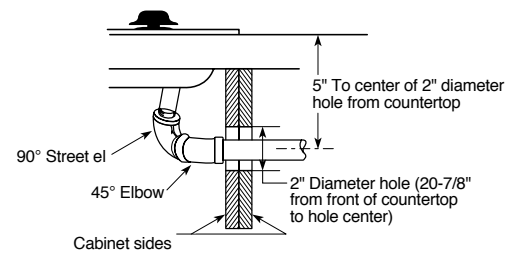
Gas or electric cooktops may be installed over this oven. See cooktop installation instructions for cutout size. See label on top of oven for approved cooktop models.



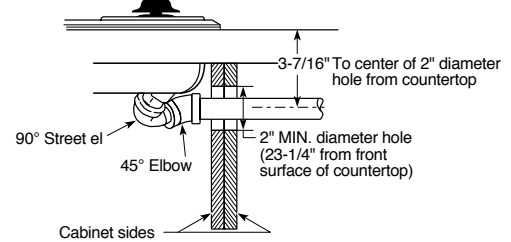
**Note:** Oven is rated for use only under 30" standard or sealed burner gas and selected 30" CleanDesign and Calrod® electric cooktops.

**Installation Information:** Before installing, consult installation instructions packed with product for current dimensional data.

**Sealed Burner Gas Cooktop Installation Dimensions (in inches)**



**Standard Burner Gas Cooktop Installation Dimensions (in inches)**



**Note:** Cabinets installed adjacent to wall ovens must have an adhesion spec of at least a 194°F temperature rating.

See page 160 for warranty information.



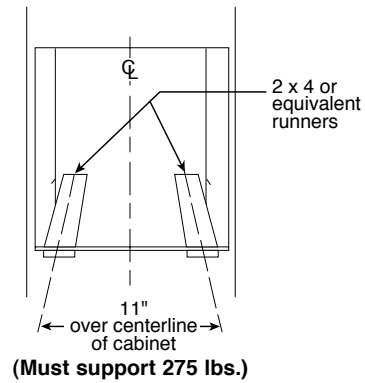
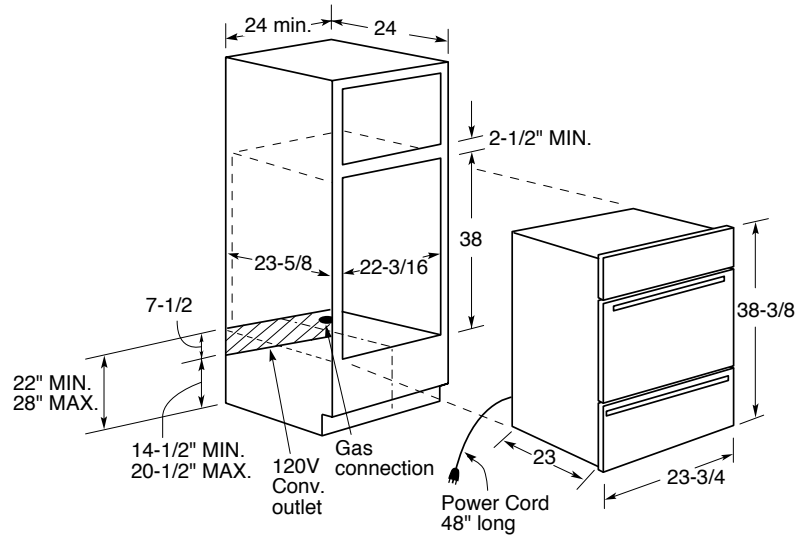
## 24" Built-In Gas Ovens

	GE	
	JGRP17WEW JGRP17BEW	JGRS14BEW
<b>Features</b>		
Oven interior	Self-Clean	Standard
Automatic self-clean oven door lock	•	
Delay Clean option	•	
In-oven broiling	•	
Separate broiler drawer		•
Storage drawer	•	
SmartSet controls	•	•
Temperature display	•	•
Start pad	•	•
Delay Bake option w/Cook & Hold	•	•
C° or F° programmable	•	•
Audible preheat signal	•	•
Auto oven shut-off w/override	•	•
Electronic clock and kitchen timer	•	•
Control lock capability	•	
Oven light pad	•	•
Oven racks	2	2
Broiler pan with grid	•	•
Electronic pilotless ignition	•	•
<b>Appearance</b>		
Color appearance*	WW BB	BB
Frameless oven door	White Glass Black Glass	Black Glass
Oven door with window	•	•
Designer-style handle	•	•
<b>Weights &amp; Dimensions</b>		
Approx. shipping weight (lbs.)	144	139
Oven cabinet width required (in inches)	24	24
Overall dimensions (WxHxD in inches)	← 23-3/4 x 38-3/8 x 23 →	
Overall oven interior dimensions (WxHxD in inches)	← 17 x 15 x 18-7/8 →	
<b>Power/Ratings</b>		
Gas oven electrical rating	← 120V, 60Hz, 5A →	
Oven /broiler burners (000's BTU's)	14.5 - Oven 13.0 - Broil	14.5

\*WW = White on white, BB = Black on black.  
Factory set for natural gas.



### Built-In Gas Oven Dimensions (in inches)



**Installation Information:** Before installing, consult installation instructions packed with product for current dimensional data.

See page 160 for warranty information.

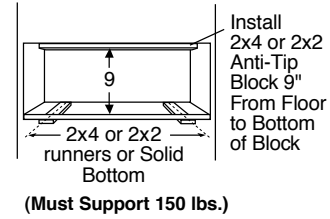
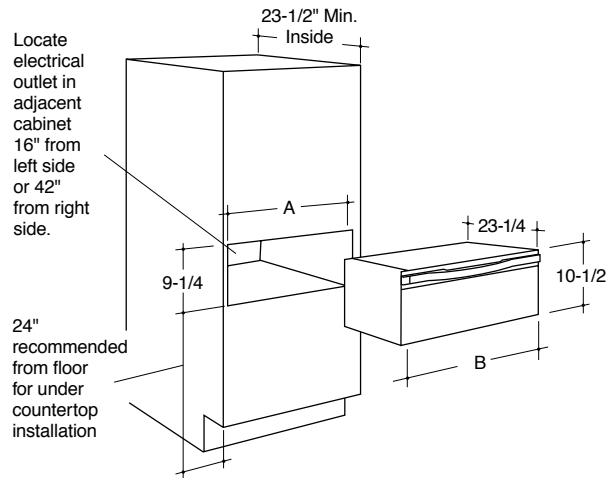


## 30" and 27" Warming Drawers

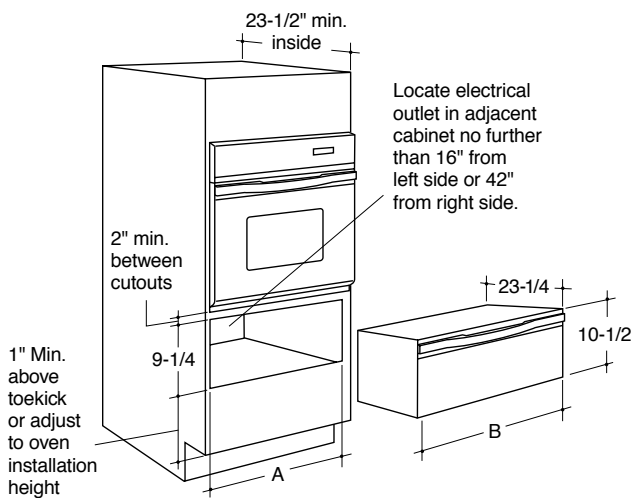
	GE Profile™	
	30" Warming Drawers	27" Warming Drawers
	JTD910SB JTD910WB JTD910CB JTD910BB	JKD910SB JKD910WB JKD910CB JKD910BB
<b>Features</b>		
Temperature control	•	•
Proof (80°F)	•	•
Low (140°F)	•	•
Medium (170°F)	•	•
High (210°F)	•	•
Humidity control	Crisp/Moist	Crisp/Moist
Hidden control	•	•
ON/OFF switch	•	•
"ON" indicator light	•	•
Half rack	•	•
Full extension drawer glide	•	•
Removable stainless steel pan	•	•
<b>Appearance</b>		
	SS WW CC BB	SS WW CC BB
Color appearance*	•	•
Frameless drawer front	•	•
Handle style	Integrated Designer-Style	Integrated Designer-Style
<b>Weights &amp; Dimensions</b>		
Interior dimensions (WxHxD in inches)	23-7/8 x 6-1/4 x 22-1/16	20-7/8 x 6-1/4 x 22-1/16
Cutout dimensions (WxHxD in inches)	28-1/2 x 9-1/4 x 23-1/2	25-1/2 x 9-1/4 x 23-1/2
Approx. shipping weight (lbs.)	65	59
<b>Power/Ratings</b>		
KW rating @ 120V	.45	.45
Amps @ 120V	15	15
Element wattage	450	450
<b>Accessories</b>		
1/4" panel kit capability	ZXD30B	ZXD27B
Pan set (5 pans with lids)	JXPN1	JXPN1

\*SS = Stainless Steel, WW = White on white, CC = Bisque on bisque, BB = Black on black.

### Warming Drawer Dimensions (in inches)

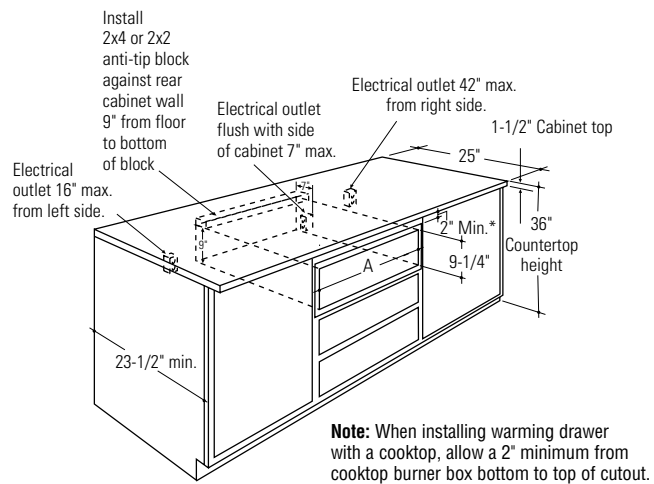


### Under Oven Installation (in inches)

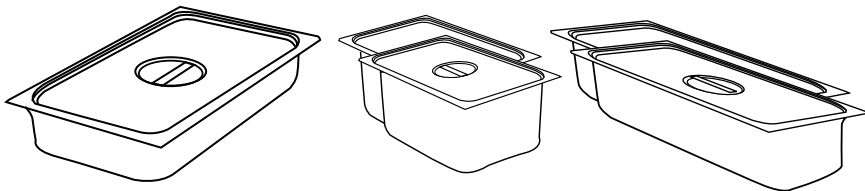


**Installation Information:** Before installing, consult installation instructions packed with product for current dimensional data.

### Undercounter Installation (in inches)



## Pan Set Accessory For Warming Drawer – JXPN1



- Five Commercial Pans with Lids (4" deep)**
- One large pan (14 quarts)
  - Two medium pans (6 quarts each)
  - Two small pans (3 quarts each)

See page 160 for warranty information.

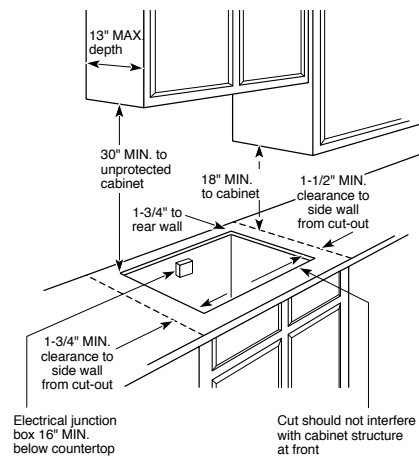


## Built-In CleanDesign Cooktops

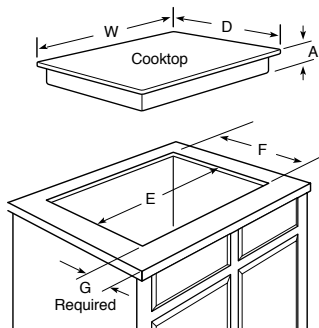
	GE Profile™					GE
	JP968SC JP968WC JP968CC JP968BC	JP960SC JP960TC JP960KC JP960BC	JP938SC JP938WC JP938CC JP938BC	JP930SC JP930TC JP930KC JP930BC	JP350SC JP350TC JP350WC JP350KC JP350BC	JP340WC JP340BC
<b>Features</b>						
Ceramic-glass surface	Patterned Black Patterned White Patterned Bisque Patterned Black	Patterned Black True White True Bisque Patterned Black	Patterned Black Patterned White Patterned Bisque Patterned Black	Patterned Black True White True Bisque Patterned Black	Patterned Black True White Patterned White True Bisque Patterned Black	Patterned White Patterned Black
Number of elements	5 Ribbon	5 Ribbon	4 Ribbon	4 Ribbon	4 Ribbon	4 Ribbon
Dual 6"/9" heating elements	1 Ribbon (2500W)	1 Ribbon (2500W)	1 Ribbon (2500W)	1 Ribbon (2500W)	1 Ribbon (2500W)	
8" heating elements					2 Ribbon (2000W)	2 Ribbon (2000W)
7" heating element	1 Ribbon w/Warmer (1500W)	1 Ribbon (1500W)				
7" heating elements	2 Ribbon (1800W)	2 Ribbon (1800W)	2 Ribbon (1800W)	2 Ribbon (1800W)		
Bridge element	1 Ribbon (800W)	1 Ribbon (800W)	1 Ribbon (800W)	1 Ribbon (800W)		
Total wattage	4400W	4400W	4400W	4400W		
6" heating elements	1 Ribbon (1200W)	1 Ribbon (1200W)	1 Ribbon w/Warmer (1200W)	1 Ribbon (1200W)	1 Ribbon (1200W)	2 Ribbon (1200W)
Hot surface indicator lights	5	5	4	4	4	1
Electronic touch controls	●		●			
Pan presence sensor	●		●			
Pan size sensor	●		●			
Kitchen timer	●		●			
Control lock capability	●		●			
<b>Appearance</b>						
Color appearance*	SS WW CC BB	SS WW CC BB	SS WW CC BB	SS WW CC BB	SS WW CC BB	WW BB
Frameless	●	●	●	●	●	●
<b>Weights &amp; Dimensions</b>						
Cooktop width (in inches)	36	36	30	30	30	30
Approx. shipping weight (lbs.)	45	44	38	38	38	35
<b>Power/Ratings</b>						
KW rating @ 240V	9.6	9.6	8.1	8.1	7.7	6.4
208V	7.2	7.2	6.1	6.1	5.8	4.8
Amps @ 240V	40	40	40	40	40	30
208V	40	40	30	30	30	30

\*SS = Stainless Steel, WW = White on white, CC = Bisque on bisque, BB = Black on black.

### Counter Installation Dimensions (in inches)



### Cooktop Dimensions (in inches)



192

### Cooktop Dimensions (in inches)

Model	Overall			Cutout			To Edge of Front Counter (Min.)
	W	D	A	E	F	G	
JP968WC/CC/BC	36	20-3/8	3-1/4*	33-7/8	19-1/8	2-1/2	
JP960TC/KC/BC	36	20-3/8	3-1/4*	33-7/8	19-1/8	2-1/2	
JP938WC/CC/BC	29-3/4	20-7/8	3-1/4*	28-1/2	19-5/8	2-1/2	
JP930TC/KC/BC	29-3/4	20-7/8	3-1/4*	28-1/2	19-5/8	2-1/2	
JP350TC/WC/KC/BC	29-3/4	20-7/8	3-1/4*	28-1/2	19-5/8	2-1/2	
JP340WC/BC	29-3/4	20-7/8	3-1/4*	28-1/2	19-5/8	2-1/2	

\*Depth of unit at conduit connection location (rear) is 6-1/4" on models JP968/938 and 4-5/8" on models JP960/930/350/340.

### Stainless Steel Cooktop Dimensions (in inches)

Model	Overall			Cutout			To Edge of Front Counter (Min.)
	W	D	A	E	F	G	
JP968SC	36-1/8	21	3-1/4*	33-7/8	19-1/8	2-1/2	
JP960SC	36-1/8	21	3-1/4*	33-7/8	19-1/8	2-1/2	
JP936SC	29-7/8	21-1/2	3-1/4*	28-1/2	19-5/8	2-1/2	
JP930SC	29-7/8	21-1/2	3-1/4*	28-1/2	19-5/8	2-1/2	
JP350SC	29-7/8	21-1/2	3-1/4*	28-1/2	19-5/8	2-1/2	

\*Depth of unit at conduit connection location (rear) is 6-1/4" on models JP968/938 and 4-5/8" on models JP960/930/350.

See page 160 for warranty information.

### Built-In CleanDesign Cooktops

Requires a 5" free area between the bottom of the cooktop to any combustible material, i.e., shelving. Free area not required when installing wall oven underneath cooktop. Refer to installation instructions. Requires an 18" minimum from cooktop to adjacent overhead cabinets. Units are furnished with a 48" flexible armored cable.

36" Ribbon cooktops (excluding JP968) are approved for use over GE 30" Single Wall Ovens only. 30" Ribbon cooktops (excluding JP938) are approved for use over GE 30" Single Wall Ovens only. All 30" Ribbon cooktops can be installed over 27" wall ovens except stainless model JKP18SD. Refer to cooktop and wall oven installation instructions packed with product for current dimensional data.

**Notes:** If installing with a GE Profile Telescopic Downdraft System, consult both cooktop and downdraft installation instructions packed with product before installing. Cooktop gas/electric supply may need to be re-routed to install downdraft.

The countertop must be at least 26" deep with a flat surface area of 23-1/2" or more, front to back. JGP938S, JGP930S, JP350S and JGP932S require 23-5/8" flat surface area. In addition, other clearances to the front edge of the countertop must be considered.

**Note:** Consult cabinet and countertop manufacturer's specs for flush mount installation prior to install.

### Filler Trim Kit

When replacing an old GE 30" cooktop (with larger opening) with Models JP938/930/350/340, use the following one-piece trim kit to fill in the over-size hole. Available at additional cost.  
JXTR31W (True White)  
JXTR31C (True Bisque)  
JXTR31B (Black—use with black glass cooktops with a white, bisque or black pattern)

### Flush Mount Installation Kit

Accommodates both 30" and 36" installations. Not for use with stainless steel models.  
JXFLMTW (True White)  
JXFLMCC (True Bisque)  
JXFLMBB (Black—use with black glass cooktops with a white, bisque or black pattern)

### Installation Information:

Before installing, consult installation instructions packed with product for current dimensional data.





## Built-In Electric Cooktops

	GE			
	JP626WV JP626CC	JP326WV JP326CC JP326BV JP326CV	JP201CB	JP202D
<b>Features</b>				
Cooktop surface	Porcelain-Enameled	Porcelain-Enameled Porcelain-Enameled Brushed-Chrome	Stainless Steel	Porcelain-Enameled
Lift-up cooktop with support rod	●	●		
8" heating elements	2 Plug-In Calrod®	2 Plug-In Calrod®	1 Plug-In	1 Plug-In
6" heating elements	2 Plug-In Calrod®	2 Plug-In Calrod®	1 Plug-In	1 Plug-In
One-piece removable drip bowls	Chrome	Chrome Chrome Black Porc.-Enam. Chrome	Chrome	Chrome
Infinite heat rotary controls	●	●	●	●
Control panel location	Upfront	Right Side	Upfront	Upfront
Control panel	White Glass Bisque Glass	White Glass Bisque Glass Black Glass Black Glass		
Surface element "ON" indicator light	●	●	●	●
<b>Appearance</b>				
Color appearance*	WW CC	WW CC BB BC	SS	WW
<b>Weights &amp; Dimensions</b>				
Cooktop width (in inches)	36	30	21-1/4	21-1/4
Approx. shipping weight (lbs.)	38	29	18	18
<b>Power/Ratings</b>				
KW rating @ 240V	7.4	7.4	3.4	3.4
208V	5.6	5.6	2.5	2.5
Amps @ 240V	40	40	20	20
208V	30	30	20	20

\*SS = Stainless Steel, WW = White on white, CC = Bisque on bisque, BB = Black on black, BC = Brushed-Chrome.

### Built-In Electric Cooktops

Required free area between the bottom of the cooktop and any combustible material, i.e., shelving is 5" minimum on models JP626/326 and 1-1/2" minimum on models JP201/202. Free area not required when installing wall oven underneath. Requires an 18" minimum from cooktop to adjacent overhead cabinets. Units are furnished with a 48" flexible armored cable.

Cooktop models JP326WV/326BV/326CC/326CV are approved for use over select GE 27" or 30" Single Wall Ovens. JP626WV/626BV are approved for use over GE 30" Single Wall Ovens only. Refer to cooktop and wall oven installation instructions packed with product for current dimensional data.

Cooktop models JP201CB and JP202D are approved for use over GE undersink dishwasher model GSM2100. Refer to cooktop installation instructions packed with product for current dimensional data.

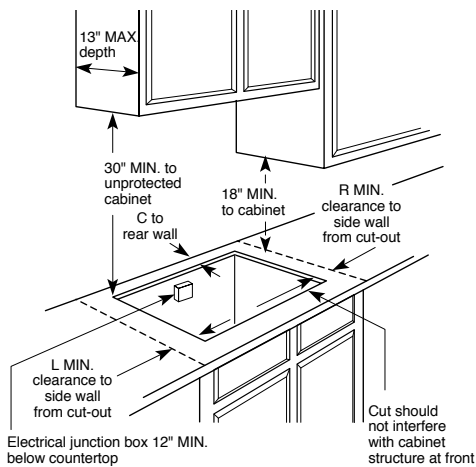
**Note:** If installing with a GE Profile Telescopic Downdraft System, consult both cooktop and downdraft installation instructions packed with product before installing. Cooktop gas/electric supply may need to be re-routed to install downdraft.

**Note:** The countertop must be at least 26" deep with a flat surface area of 23-1/2" or more, front to back. In addition, other clearances to the front edge of the countertop must be considered.

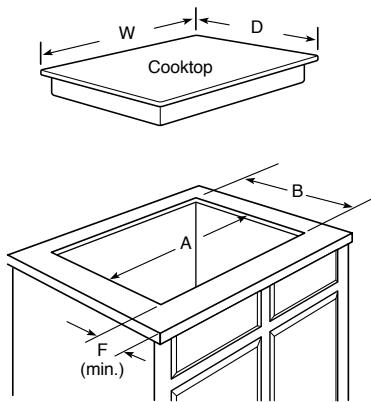
**Filler Trim Kit**—When replacing an old GE 30" cooktop (with larger opening) with Models JP326WV, JP326CC, JP326BV, JP326CV, use the following one-piece trim kit to fill in the over-size hole. Available at additional cost.  
 JXTR31W (White)  
 JXTR31C (Bisque)  
 JXTR31B (Black)

**Installation Information:**  
 Before installing, consult installation instructions packed with product for current dimensional data.

### Counter Installation Dimensions (in inches)



### Built-In Cooktop Dimensions (in inches)



### Dimensions (in inches)

Model	Overall		Cutout		Minimum Spacing To Nearest Combustible Wall			To Edge of Front Counter (Min.)
	W	D	A	B	C	R	L	F
JP626	35-1/2	21	33-7/8	19-1/8	1-3/4	6	6	2-1/2
JP326	30-1/4	21-1/4	28-1/2	19-5/8	1-3/4	2	5-1/2	2-1/2
JP202	21-1/4	16-5/8	20-1/8	16-1/8	2	2	2	2-3/4
JP201	21-1/4	16-5/8	20-1/8	16-1/8	2	2	2	2-3/4

Refrigeration

Cooking Products

Microwave Ovens

Dishwashers

Clothes Care

Air Conditioning



## Built-In Electric Downdraft Cooktops

	GE Profile™		
	JP989SD	JP989TD JP989KD	JP989BD
<b>Features</b>			
Downdraft exhaust (CFM)	400	400	400
Three-speed downdraft vent fan	●	●	●
Ceramic-glass surface	Black	True White True Bisque	Black
Number of elements	4	4	4
Dual 6'/9" heating elements	1 Ribbon (2500W)	1 Ribbon (2500W)	1 Ribbon (2500W)
7" heating elements	2 Ribbon (1800W)	2 Ribbon (1800W)	2 Ribbon (1800W)
Bridge element	1 Ribbon (800W)	1 Ribbon (800W)	1 Ribbon (800W)
Total wattage	4400W	4400W	4400W
6" heating elements	1 Ribbon (1500W)	1 Ribbon (1500W)	1 Ribbon (1500W)
Infinite heat controls	●	●	●
Hot surface indicator lights	4	4	4
Heating element "ON" indicator light	●	●	●
<b>Appearance</b>			
Color appearance*	SS	WW CC	BB
Frameless	●	●	●
<b>Weights &amp; Dimensions</b>			
Cooktop width (in inches)	30	30	30
Overall dimensions (WxD in inches)	← 29-7/8 x 21-7/8 →		
Approx. shipping weight (lbs.)	72	72	72
<b>Power/Ratings</b>			
KW Rating @ 240V	8.8	8.8	8.8
208V	6.7	6.7	6.7
Amps @ 240V	40	40	40
208V	40	40	40

\*SS = Stainless steel, WW = White on white, CC = Bisque on bisque, BB = Black on black.

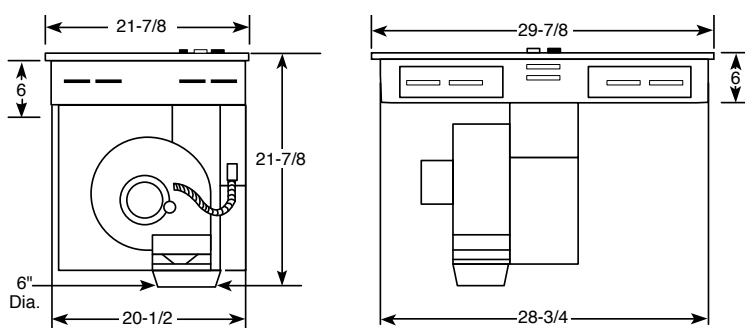
## Built-In Gas Downdraft Cooktops

	GE Profile™		
	JGP989TC	JGP989KC	JGP989BC
<b>Features</b>			
Cooktop burners	Sealed	Sealed	Sealed
Electronic pilotless ignition	●	●	●
Ceramic-glass surface	True White	True Bisque	Black
Burner grates	2	2	2
Downdraft exhaust (CFM)	400	400	400
<b>Appearance</b>			
Color appearance*	WW	CC	BB
Frameless	●	●	●
<b>Weights &amp; Dimensions</b>			
Cooktop width (in inches)	30	30	30
Overall dimensions (WxD in inches)	← 29-7/8 x 21-7/8 →		
Approx. shipping weight (lbs.)	90	90	90
<b>Power/Ratings</b>			
Gas cooktop electrical rating	120V	120V	120V
Burners (000's/BTU's)**	(2) 9.1/8.5	(2) 9.1/8.5	(2) 9.1/8.5
Natural Gas/LP Gas	(1) 11.5/11.0 (1) 5.5/5.5	(1) 11.5/11.0 (1) 5.5/5.5	(1) 11.5/11.0 (1) 5.5/5.5

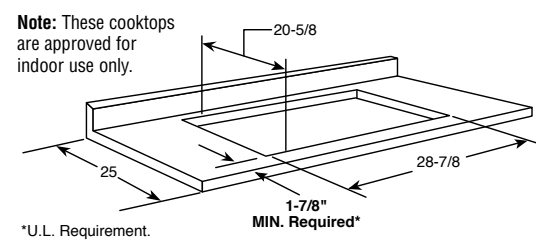
\*WW = White on white, CC = Bisque on bisque, BB = Black on black.

\*\*A set of LP orifices is included with each cooktop for LP conversion. Factory set for natural gas.

### Built-In Electric and Gas Downdraft Cooktops Dimensions (in inches)

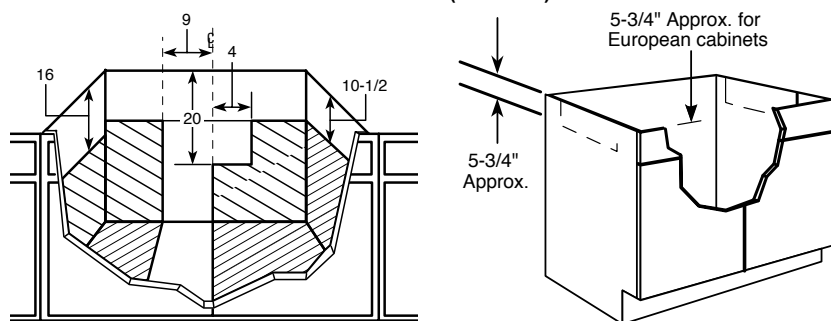


### Built-In Electric and Gas Cutout Dimensions (in inches)



Note: A 5" minimum spacing to adjacent side wall is required on JGP989. A 6" minimum spacing to adjacent side wall is required on JP989.

### Built-In Electric and Gas Cabinet Dimensions (in inches)



#### Receptacle Location

Install an approved junction box within shaded area shown in diagram. Junction box must be at least 10-1/2" below top of cabinet.

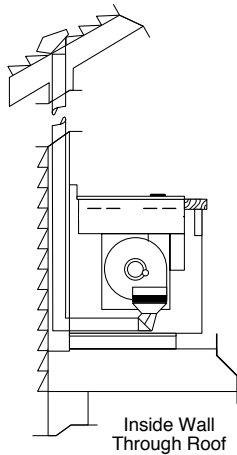
#### Preparing the Cabinet for Installation

In some cabinets, the sides may need to be scooped or cut down 5-3/4" as shown (right) and the corner braces removed in order to accommodate the cooktop.

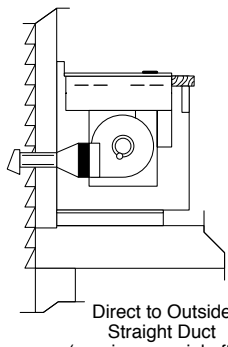
See page 160 for warranty information.



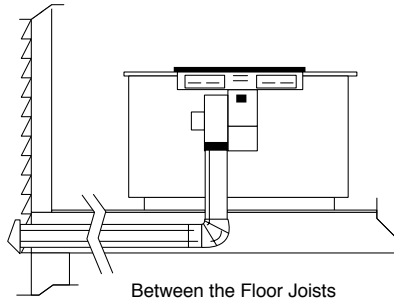
### Built-In Electric and Gas Downdraft Cooktop Venting Options



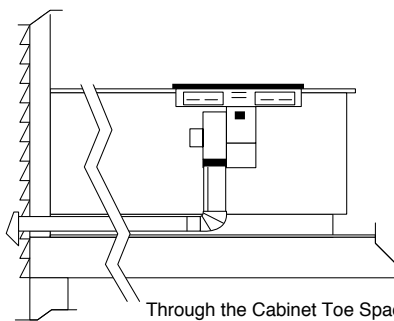
Inside Wall Through Roof



Direct to Outside Straight Duct (requires special offset adapter kit JXRW89)

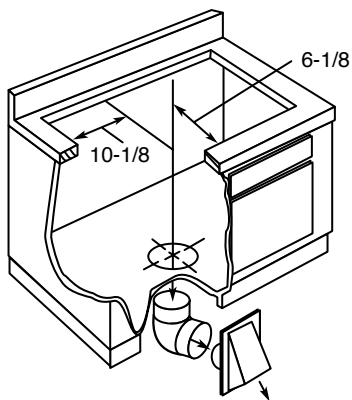


Between the Floor Joists



Through the Cabinet Toe Space

### Built-In Electric and Gas Downward Venting (in inches)



#### Wall Installation

Wall installations require 25" countertop depth. When cabinet is flush against the wall, the fan housing can be rotated to the horizontal position for direct venting through rear wall. Make a countertop cutout in the range cabinet according to unit dimensions and installation type. Duct hole is positioned in back of cabinet for through-the-wall ducting. Requires special offset adapter JXRW89.

#### Peninsula or Island Installation

For peninsula/islands a minimum 26" countertop depth is suggested. Blower should be in vertical position. Island or peninsula cabinets may require adjustment in cutout depth and/or location within the width dimensions. Duct hole is positioned in bottom of cabinet for island or peninsula installation.

#### Slab Installation

For peninsula or island installation and rear wall ducting, **6" PVC duct or locally approved piping should be used if installing under a poured concrete slab.**

**Note:** Electrical cable is not supplied with unit

#### JXRW89 Rear Wall Installation Kit

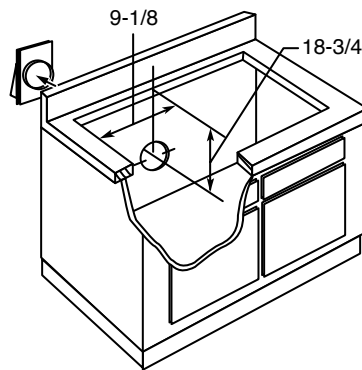
Optional accessories may be ordered for installation on rear wall.

#### JXCK89 Electrical Connection Kit

Optional accessory kit for JP989 electric downdraft cooktop only, includes junction box and conduit.

**Installation Information:** Before installing, consult installation instructions packed with product for current dimensional data.

### Built-In Electric and Gas Rear Wall Venting (in inches)



#### Installing the Ductwork

Use galvanized or aluminum duct in 6" round or 3-1/4" x 10" size, or combination of both. **PVC duct or locally approved piping should be used if installing under a poured concrete slab.** Local building code must be followed in specifying type and schedule of all duct used.

**Note:** Ductwork must be vented to outside. Do not vent into a wall, ceiling, crawl space, attic or any concealed space. Always use an appropriate roof or wall cap with damper. **Laundry-type wall caps should never be used.** For maximum efficiency use the shortest and straightest duct run possible, with as few fittings as possible. For satisfactory performance the duct run should not exceed 100 feet equivalent length. Refer to the table of equivalent lengths (shown in installation instructions) for various duct configurations.

Refrigeration

Cooking Products

Microwave Ovens

Dishwashers

Clothes Care

Air Conditioning

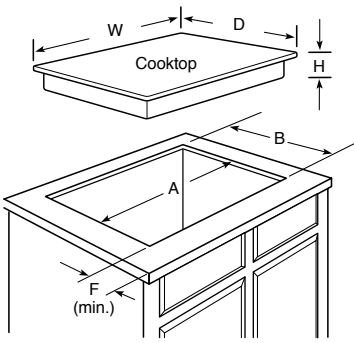


## Built-In Gas Cooktops

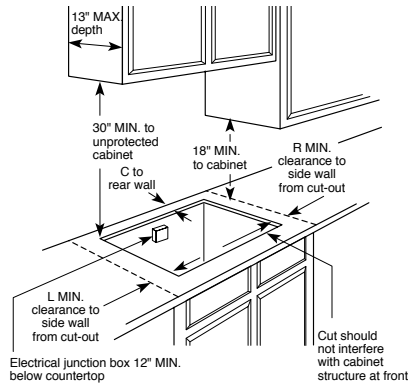
Features	GE Profile™				GE®								
	JGP963SEF JGP963WEC JGP963CEC JGP963BEC	JGP962SEC JGP962TEC JGP962KED JGP962BEC	JGP933SEF JGP933WEC JGP933CEC JGP933BEC	JGP932SEC JGP932TEC JGP932KED JGP932BEC	JGP960SED	JGP636WED JGP636CED JGP636BED	JGP930SED	JGP336WED JGP336CED JGP336BED	JGP628WEC JGP628CEC JGP628BEC	JGP328WEC JGP328CEC JGP328BEC	JGP326WEC JGP326CEC JGP326BEC	JGP326WEF JGP326BEF	JGP320EV
Cooktop burners	5 Sealed	5 Sealed	4 Sealed	4 Sealed	5 Sealed	5 Sealed	4 Sealed	4 Sealed	4 Sealed	4 Sealed	4 Sealed	4 Standard	
Max. Plus burner 15,000 BTU	●	●	●	●	●	●	●	●	●	●	●	●	
Maximum Output burner					●	●	●	●	●	●	●	●	
Precise Simmer burner(s)	2	2	●	●	2	2	●	●	●	●	●	●	
Electronic pilotless ignition	●	●	●	●	●	●	●	●	●	●	●	●	
Cooktop surface	Stainless Porcelain	Ceramic-Glass	Stainless Porcelain	Ceramic-Glass	Tempered Glass	Tempered Glass	Tempered Glass	Tempered Glass	Porcelain- Enameled	Porcelain- Enameled	Porcelain- Enameled	Porcelain- Enameled	
Cooktop grates	Continuous Deluxe Cast	Continuous Deluxe Cast	Continuous Deluxe Cast	Continuous Deluxe Cast	Deluxe Cast Porc.-Enam.	Deluxe Cast Porc.-Enam.	Deluxe Cast Porc.-Enam.	Deluxe Cast Porc.-Enam.	Continuous Porc.-Enam.	Continuous Porc.-Enam.	Medium Cast Porc.-Enam.	Standard Steel Chrome	
One-piece drip pans	Stainless White Bisque	Stainless True White Bisque	Stainless White Bisque	Stainless True White Bisque	Black	White Bisque Black	Black	White Bisque Black	White Bisque Black	White Bisque Black	White Bisque Black	White/Black	
Control panel	Black	Black	Black	Black	Black	Black	Black	Black	Black	Black	Black	White/Black	
Controls	Upfront	Upfront	Right Side	Right Side	Upfront	Upfront	Right Side	Right Side	Upfront	Right Side	Right Side	Right Side	
Appearance													
Color appearance*	SS WW CC BB	SS WW CC BB	SS WW CC BB	SS WW CC BB	SS	WW CC BB	SS	WW CC BB	WW CC BB	WW CC BB	WW CC BB	WH/BL	
Weight & Dimensions													
Cooktop width (in inches)	36	36	30	30	36	36	30	30	36	30	30	30	
Approx. shipping weight (lbs.)	54	59	44	49	38	38	30	30	51	44	44	31	
Power/Ratings													
Gas cooktop electrical rating	120V, 60Hz, 5A												
Burners (000's/BTU's):	Nat. Gas/ LP Gas †	(1) 15.0/14.0 (1) 11.0/10.0 (1) 9.1/8.1	(1) 15.0/14.0 (1) 11.0/10.0 (1) 9.1/8.1	(1) 15.0/14.0 (1) 11.0/10.0 (1) 9.1/8.1	(1) 15.0/14.0 (1) 11.0/10.0 (1) 9.1/8.1	(1) 12.0/9.4 (2) 9.5/7.0 (2) 5.0/4.0	(1) 12.0/9.4 (2) 9.5/7.0 (2) 5.0/4.0	(1) 12.0/9.4 (2) 9.5/7.0 (2) 5.0/4.0	(1) 12.0/9.4 (2) 9.5/7.0 (2) 5.0/4.0	(3) 9.1/8.1 (1) 6.0/6.0	(3) 9.1/8.1 (1) 6.0/6.0	(3) 9.1/8.1 (1) 6.0/6.0	(4) 9.1/8.0

\*SS = Stainless Steel, WW = White on white, CC = Bisque on bisque, BB = Black on black, WH = White, BL = Black.  
 †A set of LP orifices is included with each cooktop for LP conversion. Factory set for natural gas.

### Cooktop Dimensions (in inches)



### Counter Installation Dimensions (in inches)



**Installation Information:** Before installing, consult installation instructions packed with product for current dimensional data.

### Dimensions (in inches)

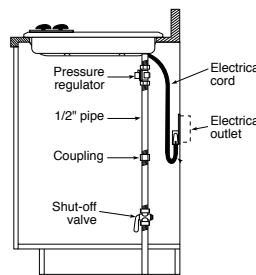
Model	Overall			Cutout		Minimum Spacing To Nearest Combustible Wall			To Edge of Front Counter	
	W	D	H	A	B	C	L	R	F	
JGP963	36	21	3-3/16	33-7/8	19-1/8	2-1/4	3-3/4	3-3/4	2-1/2	
JGP933	30	21	3-3/16	28-1/2	19-5/8	2-1/4	3-3/4	3-3/4	2-1/2	
JGP962	36	20-7/16	3-1/16	33-7/8	19-1/8	2-1/4	3-3/4	3-3/4	2-1/2	
JGP932	29-3/4	21	3-3/16	28-1/2	19-5/8	2-1/4	3-3/4	3-3/4	2-1/2	
JGP960	36	21	3-1/16	33-7/8	19-1/8	2-1/4	3-3/4	3-3/4	2-1/2	
JGP636	36	21	3-1/16	33-7/8	19-1/8	2-1/4	3-3/4	3-3/4	2-1/2	
JGP628	36	21	3-3/16	33-7/8	19-1/8	2-1/4	3-3/4	3-3/4	2-1/2	
JGP930	30	21	2-1/2	28-1/2	19-5/8	2-1/4	3-3/4	3-3/4	2-1/2	
JGP336	30	21	2-1/2	28-1/2	19-5/8	2-1/4	3-3/4	3-3/4	2-1/2	
JGP328	30	21	3-3/16	28-1/2	19-5/8	2-1/4	3-3/4	3-3/4	2-1/2	
JGP326	30	21	2-1/2	28-1/2	19-5/8	2-1/4	3-3/4	3-3/4	2-1/2	
JGP320	30-1/4	21-1/4	3-9/32	28-1/2	19-5/8	1-3/4	3	3	3-1/4	

\*Allow 5-3/4" depth at rear for electrical and gas connections.

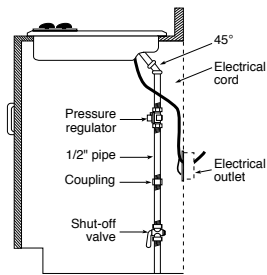
**Note:** All gas cooktop models require 7/16" free area below cooktop height to combustible material. 0" clearance is required between left and right sides of cooktop below countertop. Requires 18" minimum from countertop to adjacent overhead cabinets.\*  
 \*AGA requirement.

**Note:** If installing with a GE Profile Telescopic Downdraft System, consult both cooktop and downdraft installation instructions packed with product before installing. Cooktop gas/electric supply may need to be re-routed to install downdraft.

### Gas Connection Models JGP963/962/636/628



### Gas Connection Models JGP933/932/336/328/326/320



### Installation With Single Wall Oven Information:

30" Gas Cooktops are approved for use over GE 27" Wall Ovens. 36" and 30" Gas Cooktops are approved for use over 30" Wall Ovens. Refer to cooktop and wall oven installation instructions packed with product for current dimensional data.

### Optional Gas Range Wok Accessory (Available at additional cost)

JXWK = Wok accessory holder sits on top of maximum burner grate to hold a **round-bottom** wok. For use with JGP960/930/636/336 models only.

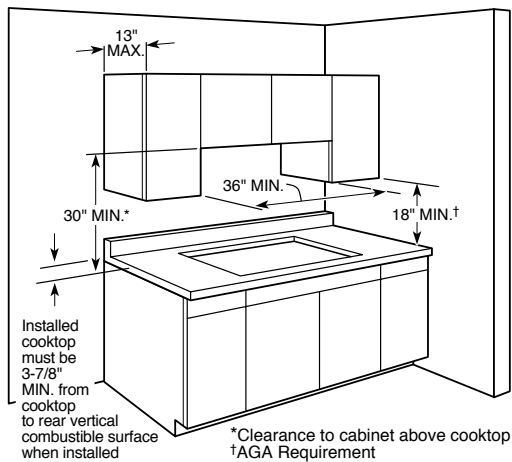
JXWK2 = Wok accessory holder sits on top of maximum burner grate to hold a **round-bottom** wok. For use with JGP963/933/962/932 models only.

# Integrated Downdraft Gas Cooktop

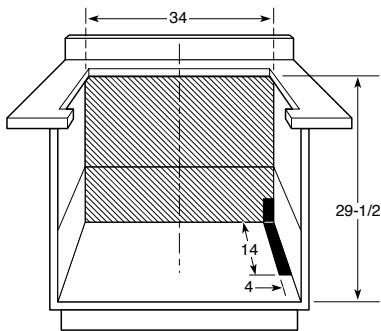
	GE Profile
	JGP656WB JGP656BB
<b>Features</b>	
Cooktop burners	Sealed
Electronic pilotless ignition	●
Tempered glass cooktop	White Black
Burner grates	2
Downdraft exhaust (CFM)	350
Optional blower mount capabilities	●
3-1/4" x 10" rectangular duct	●
6" round duct	●
Upfront variable-speed fan control	●
Removable grease filters	●
<b>Appearance</b>	
Color appearance*	WW BB
Upfront controls	●
Telescopic cover plate	White Black
Telescopic snorkel assembly	Black
<b>Weights &amp; Dimensions</b>	
Cooktop width (in inches)	36
Overall dimensions (WxD in inches)	36 x 22-1/4
Approx. shipping weight (lbs.)	48
<b>Power/Ratings</b>	
Gas cooktop electrical rating	120V, 60Hz, 15A
Burners (000's/BTU's):	(1) 12.0/11.0
Natural Gas/LP Gas	(2) 9.5/9.5 (1) 5.0/5.0

\*WW = White on white, BB = Black on black.  
**IMPORTANT:** Cooktop is shipped separately. JXBA56BB or JXBA56WW (motor, blower and downdraft housing assembly required. Must be ordered with cooktop.)  
**JXLP56 LP Conversion Kit.** LP orifices for LP conversion. Factory set for natural gas.  
**JXBC57 Outdoor Cover.** Optional accessory may be ordered for installation of motor and blower assembly on outside wall.  
**JXRB57 Remote Installation Kit.** Optional accessories may be ordered for installation below the floor.  
 A minimum 36" side-to-side undercounter clearance is required for ease of installation.  
 Unit is furnished with a 4-foot, 110V electric cord.

## Cabinet Requirements Dimensions (in inches)

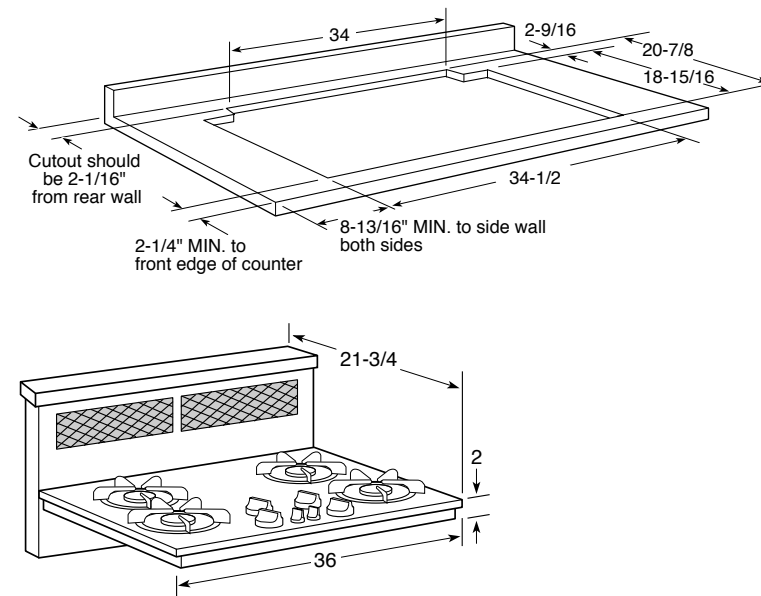


## Gas and Electrical Supply Location Dimensions (in inches)

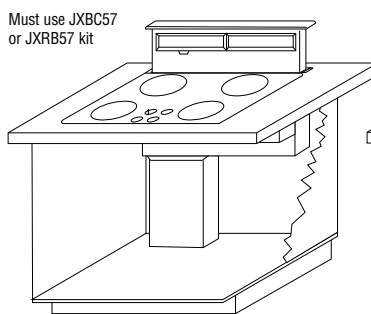


**Gas and Electrical Supply Location**  
 The gas supply pipe and the electrical supply receptacle entering the cabinet should not be positioned as shown in the shaded areas. The cooktop is equipped with a 4' power supply cord and should reach any desired location on cabinet walls.

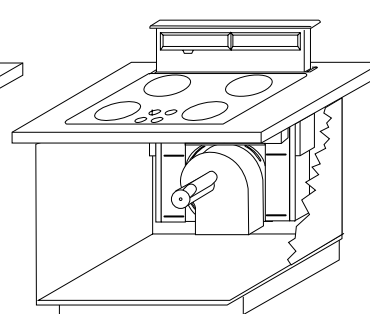
## Downdraft Gas Cooktops Dimensions (in inches)



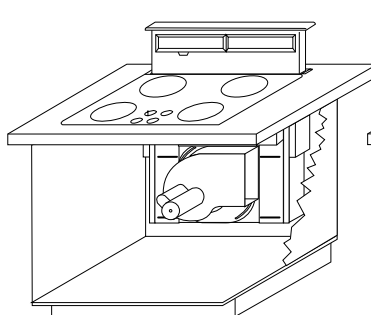
## Venting Options (Through the Floor)



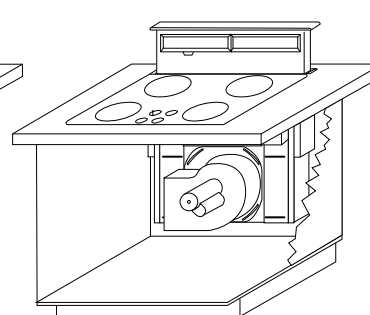
## In Cabinet Discharge (Down)



## In Cabinet Discharge (Right)



## In Cabinet Discharge (Left)



**Installation Information:** Before installing, consult installation instructions packed with product for current dimensional data.

See page 160 for warranty information.

## Select-Top™ Modular Downdraft Cooktops and Patio Grill

	GE Profile™		GE
	Dual Modular	Single Modular	Patio Grill
	JP389WV JP389BV	JP385WV JP385BV	JP380BV
<b>Features</b>			
Configuration	Dual Modular	Single Modular	Outdoor Grill
Cooktop finish	White Porc.-Enam. Black Porc.-Enam.	White Porc.-Enam. Black Porc.-Enam.	Black Porcelain-Enameled
Infinite heat controls	Rotary	Rotary	Rotary
Heating element "ON" indicator light	●	●	●
Downdraft exhaust (CFM)	400	400	375
Single-speed downdraft vent fan	●	●	●
Three-speed downdraft vent fan	●		
Fixed plug-in coil elements		One 6", One 8"	Fixed Grill (each side)
Removable one-piece drip bowls/trim rings		Chrome Black Porc.-Enam.	Chrome
<b>Appearance</b>			
Color appearance*	WW BB	WW BB	BB
<b>Weights &amp; Dimensions</b>			
Cooktop width (in inches)	30	30	30
Approx. shipping weight (lbs.)	72	75	68
<b>Power/Ratings</b>			
Amps @ 240V	40	40	40
KW rating @ 240V	8.0	8.0	5.6
<b>Accessories</b>			
Ribbon heating elements (one 8" and one 6")	JXDR50WV JXDR50VB	JXDR50WV JXDR50VB	
Coil heating elements (one 6", one 8" element with removable one-piece bowls)	JXDC44RWH JXDC43RBL	JXDC44RWH JXDC43RBL	
Grill Module†	JXDL44N	JXDL44N	
Griddle Accessory	JXDD44R	JXDD44R	
Grill Cover	JXDM3 JXDM2	JXDM3 JXDM2	JXDM4

\*WW = White on white, BB = Black on black.

†Grill Module includes coil heating element, one-piece grill grate, and porcelain reflector pan.

### Cooktop Options

GE lets you customize your cooktop with flexible modules to suit your taste. These optional versatile modules—*Grill, Coil, Ribbon, Griddle Opening Accessory and Grill Cover*—are available at additional cost. Simply plug the modules you want into either side of the cooktop (single modular cooktops accept modules on left side only) and unplug them for easy cleaning and storage.

### Grill Module, JXDL44N

Includes front/rear controlled heating element, one-piece grill grate, and porcelain-enameled reflector pan.

### Grill Cover (For model JP380 patio grill only.)

Covers grill area when not in use

JXDM3—White on white, JXDM2—Black on black, JXDM4—Black on black

### Griddle Accessory, JXDD44R (Use with optional Grill Module.)

Place over heating element and reflector pan from optional grill module. Griddle accessory has a non-stick coating and is self-draining.

### Ribbon Modules

Patterned glass top with one 8" and one 6" ribbon heating element  
JXDR50WV—White on white, JXDR50VB—Black on black

### Coil Modules

One 8" and one 6" plug-in heating element with one-piece bowls  
JXDC43RBL—Black porcelain-enameled, JXDC44RWH—White porcelain-enameled

### JXCK89 Electrical Connection Kit

Optional accessory kit for JP385 and JP389 downdraft cooktop only, includes junction box and conduit.

### Wall Installation

Wall installations require 25" countertop depth. When cabinet is flush against the wall, the fan housing can be rotated to the horizontal position for direct venting through rear wall. Make a countertop cutout that is centered in the range cabinet according to unit dimensions and installation type. Duct hole is positioned in back of cabinet for through-the-wall ducting.

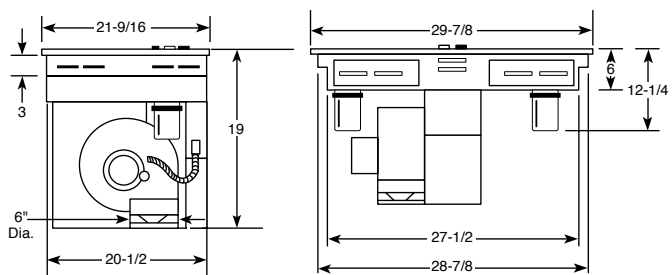
### Peninsula or Island Installation

For peninsula/islands a minimum 26" countertop depth is suggested. Blower should be in vertical position. Island or peninsula cabinets may require adjustment in cutout depth and/or location within the width dimensions. Duct hole is positioned in bottom of cabinet for island or peninsula installation.

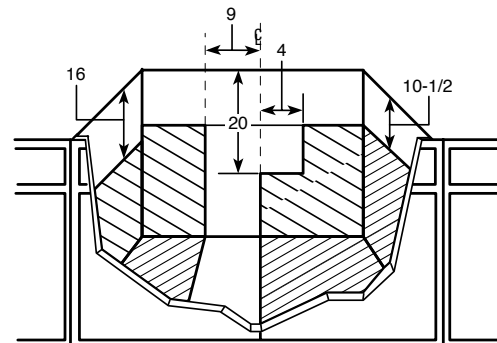
### Slab Installation

For peninsula or island installation and rear wall ducting, **PVC duct or locally approved piping should be used if installing under a poured concrete slab.**

### Built-In Downdraft Cooktops Dimensions (in inches)

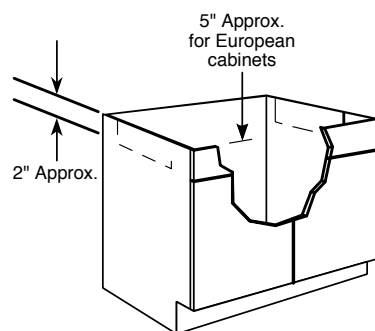


### Cabinet Dimensions (in inches)



### Receptacle Location

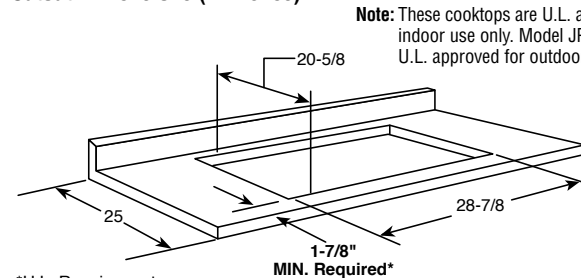
Install an approved junction box within shaded area shown in diagram. Junction box must be at least 10-1/2" below top of cabinet.



### Preparing the Cabinet for Installation

In some cabinets, the sides may need to be scooped or cut down 2" as shown (right) and the corner braces removed in order to accommodate the cooktop.

### Cutout Dimensions (in inches)



Note: These cooktops are U.L. approved for indoor use only. Model JP380BV is U.L. approved for outdoor use only.

\*U.L. Requirement.

Note: A 6" minimum spacing to adjacent side wall is required

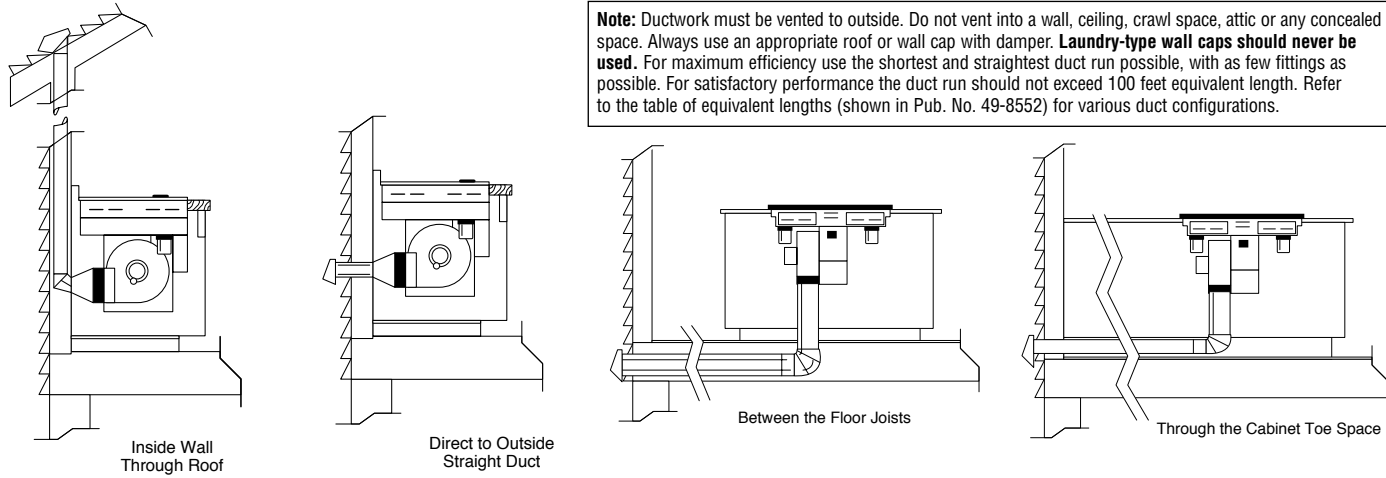
**Installation Information:** Before installing, consult installation instructions packed with product for current dimensional data.

See page 160 for warranty information.

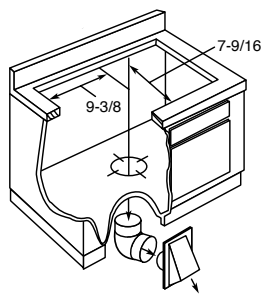
198



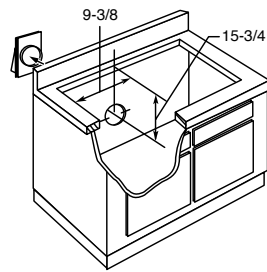
### Venting Options



### Downward Venting (in inches)



### Rear Wall Venting (in inches)



### Installing the Ductwork

Use minimum 26-gauge galvanized or 24-gauge aluminum duct in 6" round or 3-1/4" x 10" size, or combination of both. **PVC duct or locally approved piping should be used if installing under a poured concrete slab.**

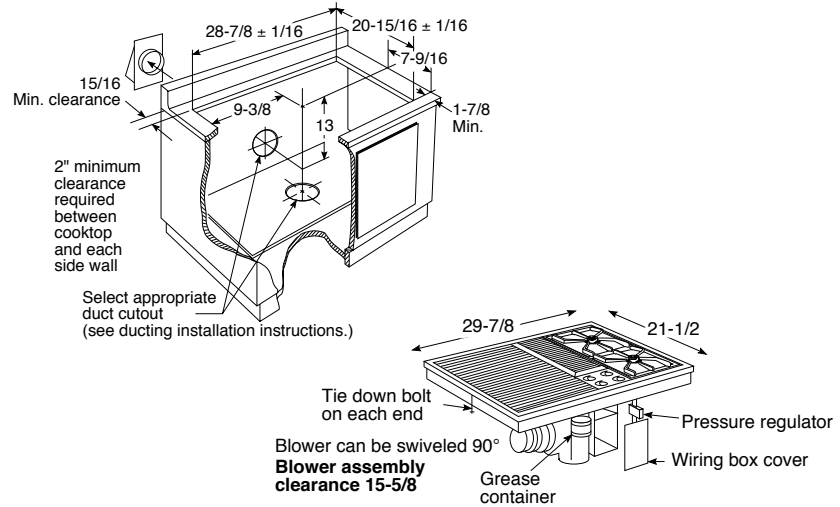
## Built-In Downdraft Gas Modular Cooktops

GE Profile™	
JGP389WEV JGP389BEV	
<b>Features</b>	
Configuration	Single Modular
Accepts modules	Left Side
Fixed gas cooktop burners (right side)	Standard
Electronic pilotless ignition	•
Downdraft vent fan	•
Downdraft exhaust (CFM)	375
<b>Appearance</b>	
Color appearance	White on white Black on black
Up-front controls	•
<b>Weight &amp; Dimensions</b>	
Cooktop width (in inches)	30
Overall dimensions (W x D in inches)	29-7/8 x 21-1/2
Approx. shipping weight (lbs.)	58
<b>Power/Ratings</b>	
Gas cooktop electrical rating	120V, 60Hz, 15A
BTU's (000's) Right side (burners)	10.0/9.0
Nat/LP Grill Unit	8.0/8.0

**Note:** Shipped with fixed standard gas burners, right side. Left side accepts optional modules that must be ordered and are available at additional cost.



### Installation Information (in inches)



### Optional Modules (Available at additional cost)

Two-Burner Gas Module (standard burners)—	Gas Grill Module—JXGG89	Grill Cover—
JXGB89W—White on white	Griddle—JXGL89 (use with optional Grill module)	JXGC89W—White on white
JXGB89B—Black on black		JXGC89B—Black on black

**Installation Information:** Before installing, consult installation instructions packed with product for current dimensional data.

See page 160 for warranty information.



## 30" Slide-In Electric Ranges

Features	GE Profile™			GE®		
	JS966SD JS966TD JS966KD JS966BD	JSP56WD JSP56CD JSP56BD	JSP46WD JSP46CD JSP46BD	JSP34WD JSP34CD JSP34BD	JSP26BD	JSS26BD JSS16PD
Self-clean oven w/Delay Clean option	•	•	•	•	•	Standard Clean
Variable cleaning time	•	•	•	•	•	
Automatic self-clean oven door lock	•	•	•	•	•	
Oven racks	3 Heavy-Duty	3	2	2	2	2
CleanDesign oven interior	•					
Ceramic-glass cooktop	Patterned Black True White True Bisque Patterned Black	Patterned White Patterned Bisque Patterned Black	Patterned White Patterned Bisque Patterned Black			
Lift-up porcelain-enameled cooktop				White Bisque Black	White/Bisque	Black White/Bisque
Overhanging cooktop	•	•	•	•	•	•
Removable one-piece drip bowls				Chrome	Chrome	Chrome
Dual 6 7/8" heating element	1 Ribbon (2500W)	1 Ribbon (2500W)	1 Ribbon (2500W)			
8" heating element			2 Ribbon (2000W)	2 Plug-In	2 Plug-In	2 Plug-In
7" heating element	2 Ribbon (1800W)	2 Ribbon (1800W)				
Bridge element	1 Ribbon (800W)	1 Ribbon (800W)				
Total wattage	4400W	4400W				
6" heating element	1 Ribbon (1500W)	1 Ribbon (1500W)	1 Ribbon (1500W)	2 Plug-In	2 Plug-In	2 Plug-In
Warming zone	1 Ribbon (120W)					
Infinite heat controls	•	•	•	•	•	•
Convection Bake	•	•				
Convection Roast	•	•				
SmartSet controls	•	•	•	•	•	
Temperature display	•	•	•	•	•	
Start pad	•	•	•	•	•	
Delay Bake option w/Cook & Hold	•	•	•	•	•	
C° or F° programmable	•	•	•	•	•	
Audible preheat signal	•	•	•	•	•	
Auto oven shut-off w/override	•	•	•	•	•	
Control lock capability	•	•	•	•	•	
Electronic clock/kitchen timer	•	•	•	•	•	•
Hot surface indicator lights	4 + Warmer	4	4			
Automatic meat thermometer	•					
Heating element "ON" indicator light	•	•	•	•	•	•
Certified Sabbath mode	•	•				
Interior oven light	Halogen	•	•	•	•	•
Storage drawer	Stainless White Bisque Black	White Bisque Black	White Bisque Black	White Bisque Black	CM*	Black CM*
Broiler pan with grid	•	•	•	•	•	•
Roasting rack	•	•				
<b>Appearance</b>						
Color appearance*	SS WW CC BB	WW CC BB	WW CC BB	WW CC BB	WH/CT	BB WH/CT
Frameless glass oven door	Stainless White Bisque Black	White Bisque Black	White Bisque Black	White Bisque Black	CM*	Black Painted
Oven door with window	Big ClearView™	Big ClearView	Big ClearView	•	•	•
Lift-off oven door	•	•	•	•	•	•
Designer-style handle	Integrated	Integrated	Integrated	•	•	Visor
<b>Weights &amp; Dimensions</b>						
Overall oven interior dimensions (WxHxD in inches)	← 24 x 16-1/4 x 18-1/4 →		24 x 17-1/2 x 18-1/4	← 22-3/4 x 15-3/4 x 17 →		
Approx. shipping weight (lbs.)	205	200	200	175	175	160
<b>Power/Ratings</b>						
KW rating @ 240V	12.1	12.0	11.6	10.8	10.8	10.8
208V	9.1	9.0	8.7	8.1	8.1	8.1
Amps @ 240V	40	40	40	40	40	40
208V	40	40	40	40	40	40
Convection Wattage	2500	2500				
Broiler/Bake Wattage	3600/2700	3600/2700	3600/3400	3400/2585	3400/2585	3400/2585

\*SS = Stainless steel, WW = White on white, CC = Bisque on bisque, BB = Black on black, WH = White, CT = Bisque, CM = Color-Matched indicates color of the oven door matches range cooktop and drawer face (either white or bisque).

**Note:** Cabinets installed adjacent to slide-in electric ranges must have an adhesion spec of at least a 194°F temperature rating.

**Note:** All 30" Slide-In Ranges conform to U.L. requirements for 0" spacing from range to adjacent walls below countertop. To reduce possibility of scorching the side walls above the countertop when no load is present on burners, it is recommended that a minimum 6" spacing from adjacent side wall be allowed for possible extended high-heat element operation.

**Receptacle Locations:** For all 30" Slide-In Ranges locally approved flexible service cord or conduit must be used because terminals are not accessible after range installation. See shaded area in drawing for location of electrical outlet box. Recommended outlet locations allow range to be installed directly against rear wall.

**Installation Information:** Before installing, consult installation instructions packed with product for current dimensional data.



All GE ranges are equipped with an Anti-Tip device. The installation of this device is an important, required step in the installation of the range.



Listed by Underwriters Laboratories

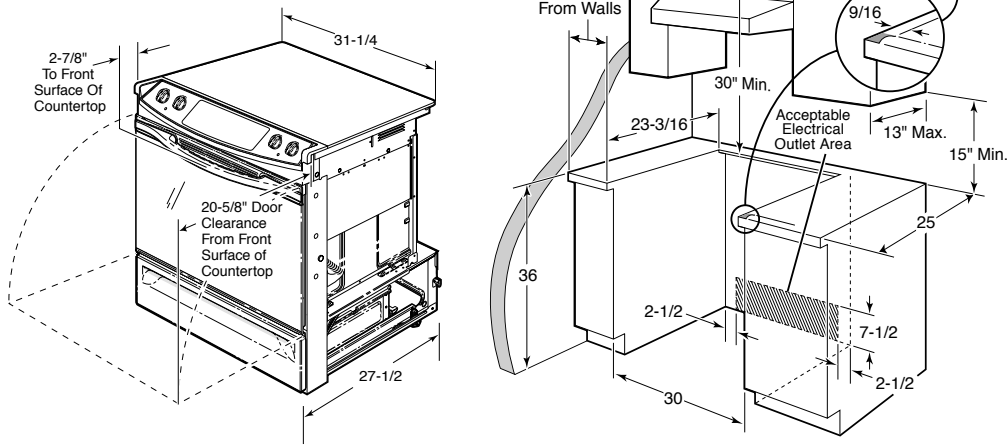
See page 160 for warranty information.

200





**30" Slide-In Range Dimensions (in inches)  
Models JS966 and JSP56/46**



**Optional Kits for Slide-In Electric Ranges (Models JS966, JSP56 and JSP46)**  
(Available at additional cost)

**Accessory Backguards**

(Attaches to the back of range as a backguard when unit is installed in 30" free-standing cutout)  
JXS39SS—Stainless  
JXS36WW—White  
JXS36CC—Bisque  
JXS36BB—Black

**Body Sides**

(Slide-in ranges are sold without sides installed. Can be installed on either left or right when unit has one exposed side [no cabinet adjacent]. Kit contains 1 body side)  
JXS76WW—White  
JXS76CC—Bisque  
JXS76BB—Black

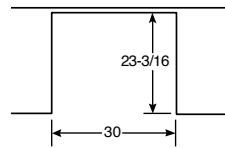
**Vertical Side Trim Kits**

(If cabinet cutout width is more than 30", a vertical side trim kit may be used to close the gap between the range and cabinet)  
JXS86WW—White  
JXS86CC—Bisque  
JXS86BB—Black

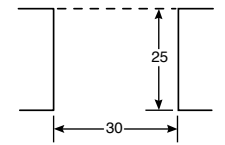
**Lower Trim Kits**

(If countertop height is greater than 36.5", a lower trim kit is recommended to extend the useful height to 38" maximum)  
JXS56WW—White  
JXS56CC—Bisque  
JXS56BB—Black

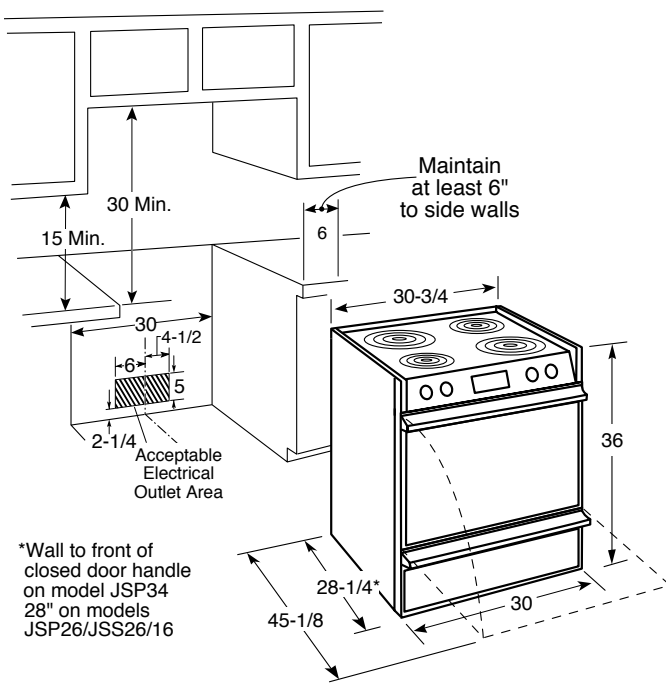
If you are NOT using the optional Filler or Backguard:



If you are using the optional Filler or Backguard:



**30" Slide-In Range Dimensions (in inches)  
Models JSP34/26 and JSS26/16**



\*Wall to front of closed door handle on model JSP34 28" on models JSP26/JSS26/16

**Note:** Range may be placed with 0" clearance (flush) at the back wall and side walls if the range side trims extend beyond the cabinet fronts at least 1/4" (self-clean models only).

**Optional Kits for Slide-In Electric Ranges (Models JSP34/26 and JSS26/16)**  
(Available at additional cost)

**Rear Filler Strip Kit**  
JXS28—Rear Filler Strip Kit (Brushed-chrome)

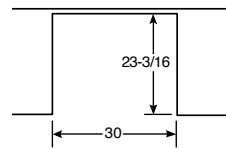
**Accessory Backguards**  
JXS31—White Accessory Backguard  
JXS32—Brushed-Chrome Accessory Backguard  
JXS34—Black Accessory Backguard  
JXS35—Bisque Accessory Backguard

**Endcap Kit**  
JXS40—Endcap kit to accommodate replacement where countertop may already be notched.

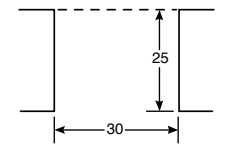
**Lower/Side Trim Kits**  
(If countertop height is greater than 37", it is recommended to use a lower trim kit.)  
JXS52BB—Lower trim (Black)  
JXS53WW—Lower trim (White)  
JXS55CC—Lower trim (Bisque)  
Pub. No. 3-A040—Vertical Side Trim Kit (Brushed-Chrome)

**Models shown are shipped with rear filler strip kit.**

If you are NOT using the optional Filler or Backguard:



If you are using the optional Filler or Backguard:



See page 160 for warranty information.



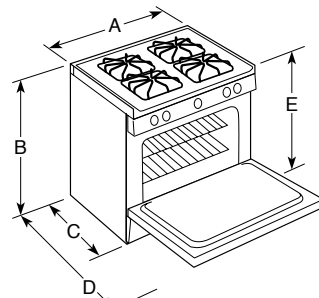
## 30" Slide-In Gas Ranges

Features	GE Profile™	GE®	
	JGSP44WEY JGSP44CEY JGSP44BEY	JGSP23WEY JGSP23BEY	JGSS05BEA
Self-clean oven with Delay Clean option	●	●	Extra-large Standard Clean
Variable cleaning time	●	●	
Automatic self-clean oven door lock	●	●	
Cooktop burners	Sealed	Sealed	Standard
Maximum output burner	●	●	
Standard simmer burner	●	●	
SmartSet controls	●	●	
Temperature display	●	●	
Start pad	●	●	
Delay Bake option with Cook & Hold	●	●	
C° or F° programmable	●	●	
Audible preheat signal	●	●	
Auto oven shut-off with override	●	●	
Electronic clock and kitchen timer	●	●	
Control lock capability	●	●	
Cooktop	White Glass Bisque Glass Black Glass	White Porcelain-Enameled Black Porcelain-Enameled	Black Porcelain-Enameled
Lift-up cooktop			●
One-piece drip pans	Porcelain-Enameled	Porcelain-Enameled	
Removable cooktop grates	Deluxe Cast	Standard Cast	Standard Porcelain Steel
Ignition system	Electronic	Electronic	Electronic
Oven racks	2	2	2
Broiler pan and grid	●	●	Extra-large
Interior oven light	●	●	●
Storage drawer	●	●	●
In-oven broiling	●	●	●
Slide-out broiler drawer			●
<b>Appearance</b>			
Color appearance*	— WW — — CC — — BB —	— WW — — BB —	BB
Frameless glass oven door	White Bisque Black	White Black	Black
Oven door with window	●	●	●
Lift-off oven door	●	●	●
Designer-style handle	Sure Grip	●	●
<b>Weights &amp; Dimensions</b>			
Overall oven interior dimensions (WxHxD in inches)	22-3/4 x 13 x 17		24 x 17 x 19
Approx. shipping weight (lbs.)	197	192	165
<b>Power/Ratings</b>			
Gas range electrical rating	120V, 60Hz, 5A		
Top burners (000's BTU's) Nat/LP	(1) 12.0/9.4 (2) 9.5/7.0 (1) 5.0/4.0	(3) 9.5/7.0 (1) 5.0/4.0	(4) 9.0/8.0
Oven/broiler burners (000's BTU's) Nat/LP	16.0/16.0	16.0/16.0	16.0/16.0
<b>Accessories</b>			
Optional backguard (available at additional cost)	— JXS31 — — JXS33 — — JXS34 —	— JXS31 — — JXS34 —	

\*WW = White on white, CC = Bisque on bisque, BB = Black on black.  
Universal orifices for natural or LP gas. Factory set for natural gas. A set of LP orifices is included with each range for LP conversion.



### 30" Slide-In Gas Ranges Dimensions (in inches) Models JGSP44 and JGSP23



Model	A*	B	C**	D	E
JGSP44	30	36-1/4	29-1/2	45-13/16	35-7/8 to 38
JGSP23	30	36-1/4	28-7/8	45-1/8	35-7/8 to 38

\*Cooktop width including overhang 30-3/4".  
\*\*Depth including handle.  
26-7/8"—Wall to front of closed oven door  
26-1/2"—Depth to front top edge of cooktop

See page 160 for warranty information.

202

### Optional Kits for Slide-In Gas Ranges:

(Available at additional cost on all models except JGSS05BEA)

#### Rear Filler Strip Kits

Models JGSP44 and JGSP23 are shipped with required "vented" rear filler strip.

#### Lower/Side Trim Kits

JXS2BB—Lower Trim Kit (Black)  
JXS3WW—Lower Trim Kit (White)  
JXS5CC—Lower Trim Kit (Bisque)  
Pub. No. 3-A040 Vertical Side Trim Kit (Brushed-Chrome)

#### Accessory Backguards

JXS31—White Accessory Backguard  
JXS32—Brushed-Chrome Accessory Backguard  
JXS34—Black Accessory Backguard  
JXS35—Bisque Accessory Backguard

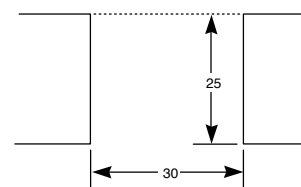
#### Endcap Kit

JXS40—Endcap kit to accommodate replacement where countertop may already be notched.

#### Optional Gas Range Wok Accessory (Available at additional cost)

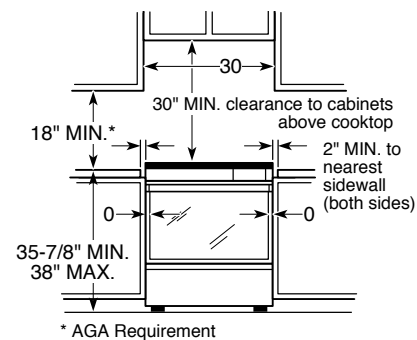
JXWK = Wok accessory holder sits on top of maximum burner grate to hold a **round-bottom** wok.

### Counter Cutout Dimensions (in inches) Models JGSP44 and JGSP23



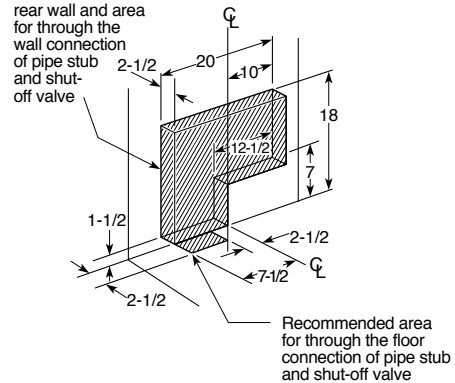
You must use the rear filler strip kit shipped with the range or the optional accessory backguard (JXS31, JXS32, JXS33, JXS34) when installing these ranges.

Note: Cabinets installed adjacent to slide-in ranges must have an adhesion spec of at least 194°F temperature rating.



Note: Models JGSP44WEY, JGSP44BEY, JGSP23WEY and JGSP23BEY are shipped with special "vented" rear filler strip. Post form countertops may not be used when installing this range. The filler strip (provided) or optional backguard kit is required for installation.

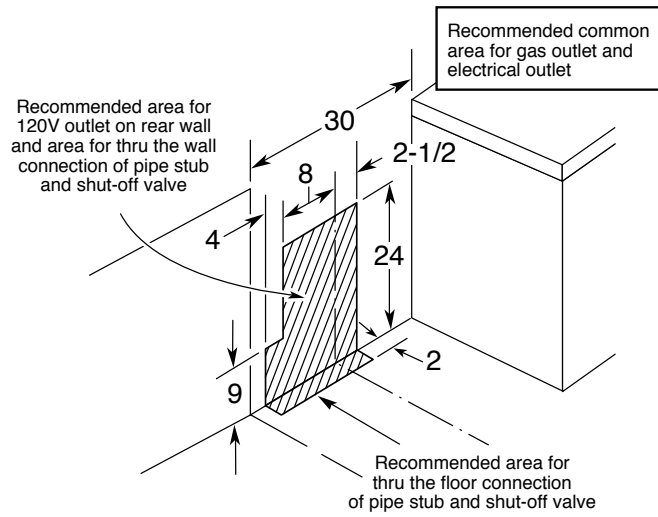
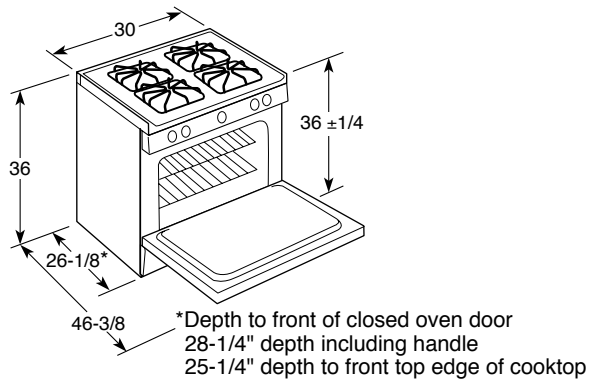
Recommended area for 120V outlet on rear wall and area for through the wall connection of pipe stub and shut-off valve



Recommended area for through the floor connection of pipe stub and shut-off valve



**30" Slide-In Gas Range Dimensions (in inches)  
Model JGSS05**



**Installation Information:** Before installing, consult installation instructions packed with product for current dimensional data.

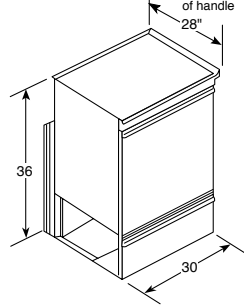
**30" Slide-In Downdraft Ranges**

	GE
	JSP69WV JSP69BV
<b>Features</b>	
Self-clean oven	•
Automatic self-clean oven door lock	•
Oven racks	2
Porcelain-enamelled modular cooktop	•
Electronic digital clock and timer	•
Delay Bake option	•
Preheat signal	•
Electronic oven control	•
Downdraft venting	•
Two-speed exhaust fan	•
Interior oven light	•
Storage drawer (1/2 depth)	•
Broiler pan with grid	•
<b>Appearance</b>	
Color appearance*	— WW BB
Glass oven door	•
Oven door with window	•
Designer-style handle	•
<b>Weight &amp; Dimensions</b>	
Overall oven interior dimensions (WxHxD in inches)	23 x 16 x 17
Approx. shipping weight (lbs.)	171
<b>Power/Ratings</b>	
KW rating @ 240V	14.0
208V	—
Amps @ 240V	40
208V	—

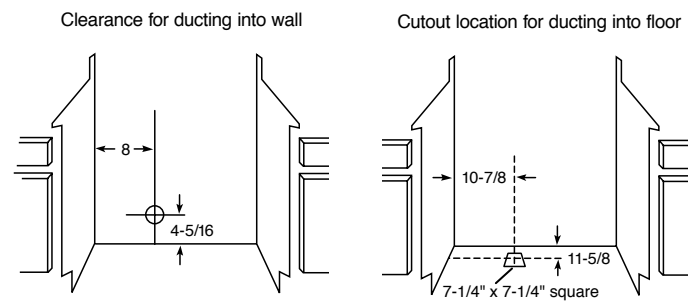
\*WW = White on white, BB = Black on black.  
**Note: (Shipped with grill module)** Optional plug-in modules available.



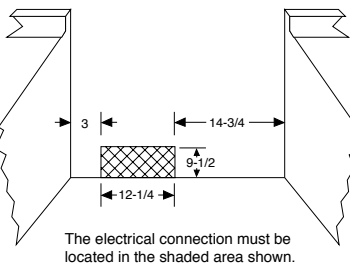
**Range Dimensions (in inches)**



**Downdraft Installation Dimensions (in inches)**



**Receptacle Location (in inches)**

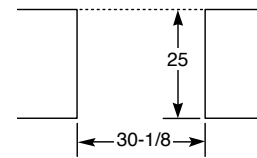


**Receptacle Locations:** For all 30" Slide-In Ranges locally approved flexible service cord or conduit must be used because terminals are not accessible after range installation. See shaded area in drawing for location of electrical outlet box. Recommended outlet locations allow range to be installed directly against rear wall.

**Optional Modules (Available at additional cost)**

- Radiant Module—JXGR63B
- Griddle Accessory—JXGL90
- Grill Module—JXGG50
- Coil Modules—JXGC53W, White on white  
—JXGC53B, Black on black

**Counter Cutout Dimensions (in inches)**



**Note:** 30" ranges conform to U.L. requirements for 0" spacing from walls below countertops. However, some kitchen cabinet finishes can be damaged by heat from the heating elements. It is recommended that a clearance of at least 1-1/4" be maintained to adjacent walls. Where varnished wood or plastic film finishes are used, a minimum clearance of 6" should be maintained.

**Installation Information:** Before installing, consult installation instructions packed with product for current dimensional data.



## 30" Drop-In Electric Ranges

	GE Profile™		GE®		
	JD966SD JD966TD JD966KD JD966BD	JDP46WD JDP46CD JDP46BD	JDP39WW JDP39BW	JDP36BW JDP36BD	JDS26BW JDS26BD
<b>Features</b>					
Self-clean oven w/Delay Clean option	•	•	•	•	Standard Clean
Variable cleaning time	•	•	•	•	
Automatic self-clean oven door lock	•	•	•	•	
Oven racks	3 Heavy-Duty	2	2	2	2
CleanDesign oven interior	•				
Ceramic-glass cooktop	Black True White True Bisque Black	Patterned White Patterned Bisque Patterned Black			
Lift-up overhanging cooktop			White Porc.-Enam. Black Porc.-Enam.	White Porc.-Enam. Bisque Porc.-Enam.	White Porc.-Enam. Bisque Porc.-Enam.
Dual 6/9" heating element	1 Ribbon (2500W)	1 Ribbon (2500W)			
8" heating elements		2 Ribbon (2000W)	2 Plug-in	2 Plug-in	2 Plug-in
7" heating elements	2 Ribbon (1800W)				
Bridge element	1 Ribbon (800W)				
Total wattage	4400W				
6" heating elements	1 Ribbon (1500W)	1 Ribbon (1500W)	2 Plug-in	2 Plug-in	2 Plug-in
Warming zone	1 Ribbon (120W)				
Infinite heat controls	•	•	•	•	•
Convection bake	•				
Convection roast	•				
Removable one-piece drip bowls			Chrome Black Porc.-Enam.	Chrome	Chrome
SmartSet controls	•	•	•	•	•
Temperature display	•	•	•	•	•
Start pad	•	•	•	•	•
Delay Bake option w/Cook & Hold	•	•	•	•	•
C° or F° programmable	•	•	•	•	•
Audible preheat signal	•	•	•	•	•
Auto oven shut-off w/override	•	•	•	•	•
Control lock capability	•	•	•	•	•
Electronic clock and kitchen timer	•	•	•	•	•
Automatic meat thermometer	•				
Hot surface indicator lights	4 + Warmer	4			
Heating element "ON" indicator light	•	•	•	•	•
Certified Sabbath mode	•				
Interior oven light	Halogen	•			
Broiler pan with grid	•	•	•	•	•
Roasting rack	•				
<b>Appearance</b>					
Color appearance*	SS WW CC BB	WW CC BB	WW BB	WH CT	WH CT
Frameless glass oven door	Stainless White Bisque Black	White Bisque Black	White Black	Black	Black
Oven door with window	Big ClearView™	Big ClearView	•	•	•
Lift-off oven door	•	•	•	•	•
Designer-style handle	Integrated	Integrated	•	•	•
<b>Weights &amp; Dimensions</b>					
Overall oven interior (WxHxD in inches)	24 x 16-1/4 x 18-1/4	24 x 17-1/2 x 18-1/4	← 22-3/4 x 15-3/4 x 17 →		
Approx. shipping weight (lbs.)	175	160	144	144	128
<b>Power/Ratings</b>					
Convection wattage	2500				
Broiler/Bake wattage	3600/2700	3600/3400	3400/2585	3400/2585	3400/2585
12KW rating @ 240V	12.1	11.6	11.6	11.6	11.6
208V	9.1	8.7	8.7	8.7	8.7
Amps @ 240V	40	40	40	40	40
208V	40	40	40	40	40

\*SS = Stainless Steel, WW = White on white, CC = Bisque on bisque, BB = Black on black, WH = White, CT = Bisque.



See page 160 for warranty information.

### Optional Kits For JD966/JDP46 Electric Ranges (Available At Additional Cost)

#### Maintop Filler

(Fills gap between cooktop and wall when unit is installed in 30" free-standing cutout)  
JXS66WW—White  
JXS66CC—Bisque  
JXS66BB—Black

#### Accessory Backguards

(Attaches to the back of range as a backguard when unit is installed in 30" free-standing cutout)  
JXS39SS—Stainless  
JXS36WW—White  
JXS36CC—Bisque  
JXS36BB—Black

#### Lower Trim Kits

(When a drop-in is installed in an existing cutout greater than 26-3/4" from the counter to the cabinet cross-rail, a lower trim kit should be used to fill the gap at the bottom of the range)  
JXS96WW—White  
JXS96CC—Bisque  
JXS96BB—Black

**Note:** Cabinets installed adjacent to drop-in electric ranges must have an adhesion spec of at least a 194°F temperature rating.

**Note:** All 30" Drop-In Radiant Ranges conform to U.L. requirements for 0" spacing from range to adjacent walls below countertop. To reduce possibility of scorching the side walls above the countertop when no load is present on burners, it is recommended that a minimum 6" spacing from adjacent side wall be allowed for possible extended high-heat element operation.

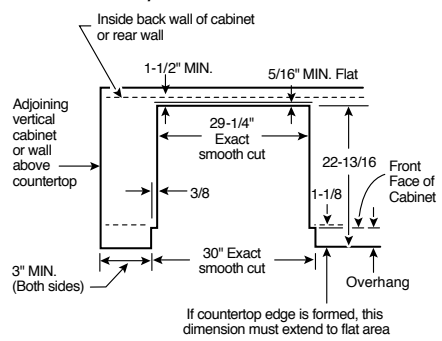
**Installation Information:** Before installing, consult installation instructions packed with product for current dimensional data.

**IMPORTANT:** 30" DROP-IN RANGES ARE DESIGNED TO HANG FROM THE COUNTERTOP. IT DOES NOT REST ON THE FLOOR. FOR INSTALLATION ALTERNATIVES, REFER TO INSTALLATION INSTRUCTIONS PACKED WITH PRODUCT.



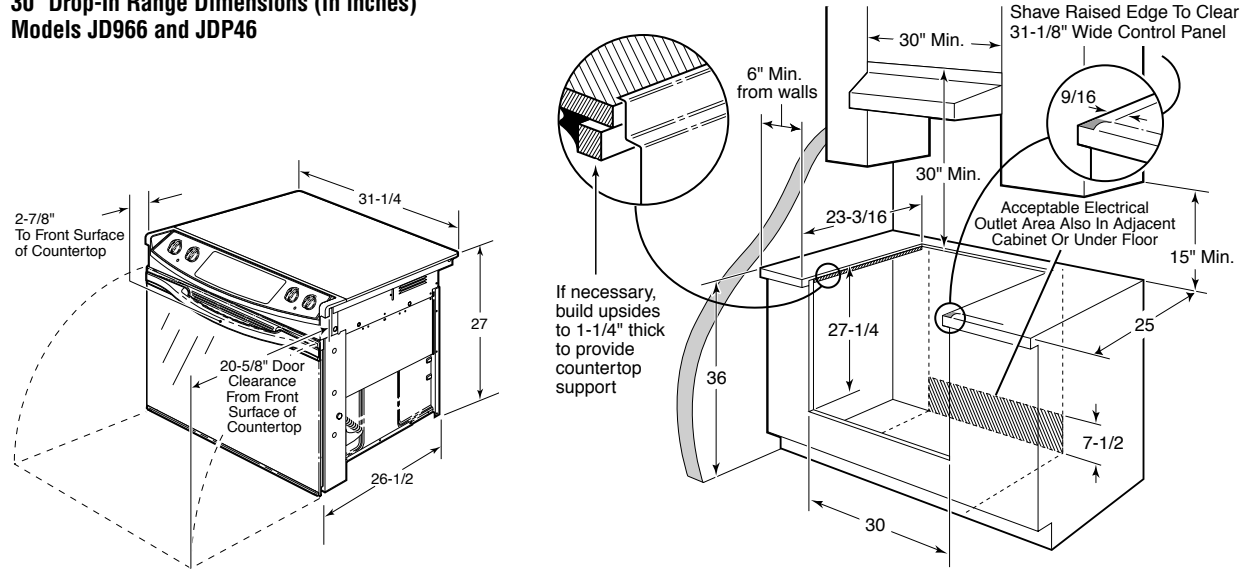
All GE ranges are equipped with an Anti-Tip device. The installation of this device is an important, required step in the installation of the range.

### Countertop Cutout—Top View Models JDP39/36 and JDS26

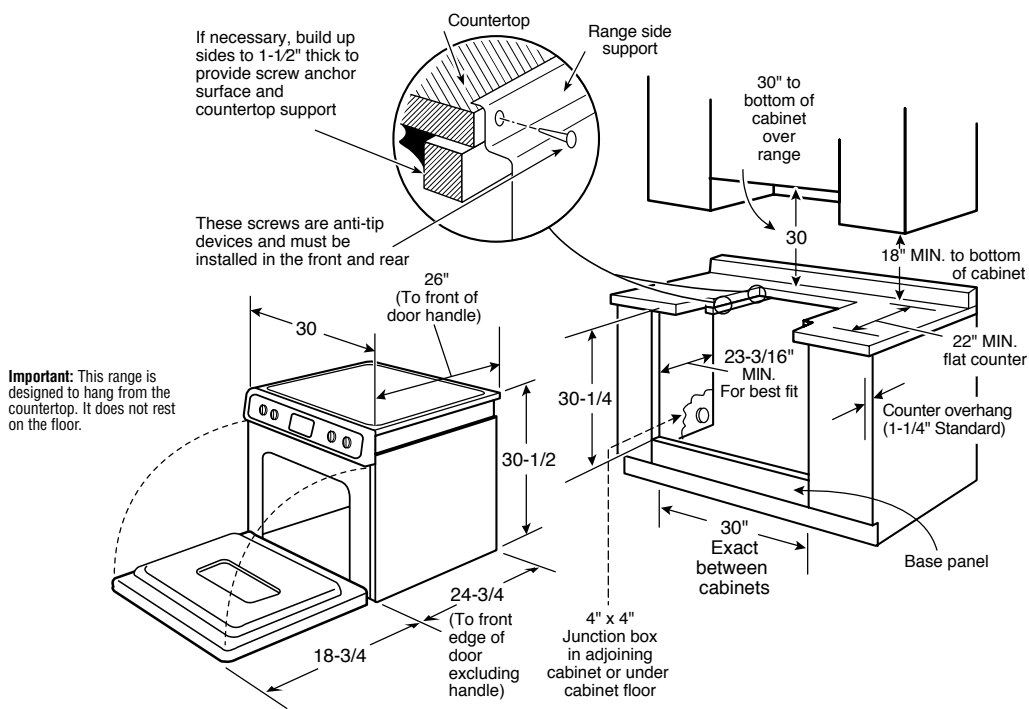




**30" Drop-In Range Dimensions (in inches)  
Models JD966 and JDP46**



**30" Drop-In Range Dimensions (in inches)  
Models JDP39/36 and JDS26**



See page 160 for warranty information.



## Spacemaker™ 27" Drop-In Electric Ranges

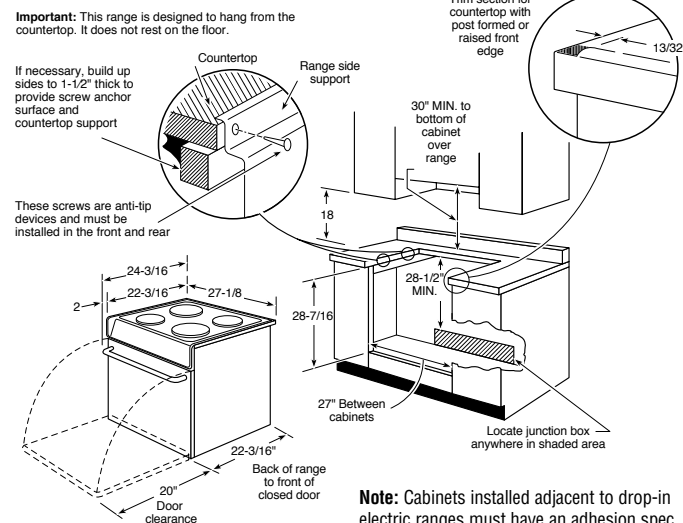
	GE Profile™	GE®	
	JMP31WC	JMP288C JMP288D	JMS088D
<b>Features</b>			
Oven cleaning	Self-Clean	Self-Clean	Standard Clean
Variable cleaning time	●	●	
Automatic self-clean oven door lock	●	●	
Oven racks	2	2	2
Lift-up overhanging cooktop	White Porcelain-Enamelled	White Porc.-Enam. Bisque Porc.-Enam.	White or Bisque Porcelain-Enamelled
8" heating elements	1	1	1
6" heating elements	3	3	3
Plug-in Calrod® heating elements	●	●	●
Infinite heat controls	●	●	●
Removable one-piece drip bowls	Chrome	Chrome	Chrome
Electronic clock and kitchen timer	●	●	
Delay Bake option	●	●	
Auto oven shut-off	●	●	
Electronic oven control	●	●	
Heating element "ON" indicator light	●	●	●
Interior oven light	●	●	●
Broiler pan with grid	●	●	●
<b>Appearance</b>			
Color appearance*	WW	WH CT	WH CT
Frameless oven door	White Glass	Black Glass	Black Glass
Oven door with window	Big View	Big View	Big View
Lift-off oven door	●	●	●
Designer-style handle	Sure Grip	●	●
<b>Weights &amp; Dimensions</b>			
Overall oven interior dimensions (WxHxD in inches)	19 x 15 x 18		
Approx. shipping weight (lbs.)	119	119	119
<b>Power/Ratings</b>			
KW rating @ 240V	9.8	9.8	10.1
208V	7.3	7.3	7.6
Amps @ 240V	40	40	40
208V	40	40	40

\*WW = White on white, WH = White, CT = Bisque.

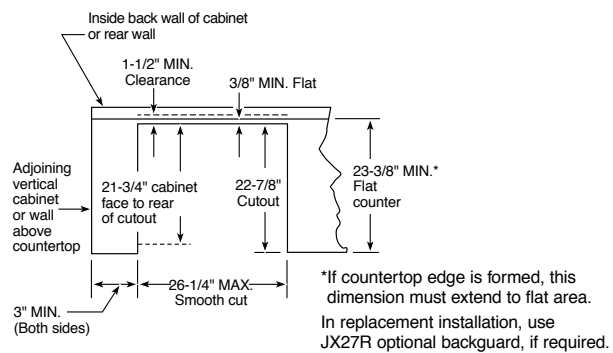
**Optional Backguard**  
(Available at additional cost)  
JX27RBK = Black  
JX27RWH = White  
JX27RAD = Almond

**Note:** All 27" Drop-In Electric Ranges conform to U.L. requirements for minimum spacing between range and side wall below countertop.  
**Installation Information:** Before installing, consult installation instructions packed with product for current dimensional data.

### 27" Drop-In Range Dimensions (in inches)



### Countertop Cutout—Top View



## Installation/Specifications for 30" Free-Standing CleanDesign Electric Ranges

### Cabinet Dimensions (in inches)

Model	A	B	C*	D
JBP95	29-7/8	46-1/2	25-3/8	47-5/8
JBP90	29-7/8	46-1/2	25-3/8	47-5/8
JBP82	29-7/8	44-7/16	25-3/8	47-5/8
JBP80	29-7/8	44-7/16	25-3/8	47-5/8
JBP69	29-7/8	44-7/16	25-3/8	47-5/8
JBP68	29-7/8	44-7/16	25-3/8	47-5/8
JBP66	29-7/8	44-7/16	25-3/8	47-5/8
JBP64	29-7/8	44-7/16	25-3/8	47-5/8

\*Dimension from wall to front of closed oven door handle is 27-3/8" on models JBP95/90/82/80; and 27-3/4" on models JBP69/68/66/64.

**Note:** Conforms to U.L. requirements for 0" spacing for adjacent walls below countertops. To reduce possibility of scorching of walls, it is recommended a minimum of 1-1/2" spacing be allowed from adjacent side walls to allow for possible extended, high-heat, no-load heating element operation.

**Receptacle Locations:** For 30" Free-Standing Ranges locally approved flexible service cord or conduit must be used because terminals are not accessible after range installation. See shaded area drawing for location of electrical outlet box. Recommended outlet locations allow range to be installed directly against wall.

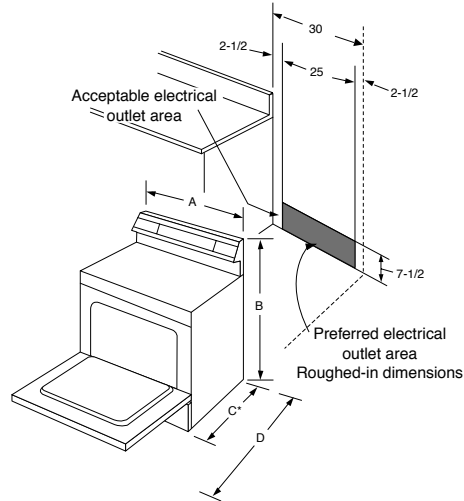


Listed by  
Underwriters  
Laboratories

See page 160 for warranty information.

206

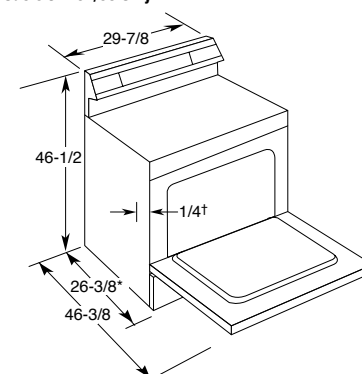
### Dimensions and Installation Information (in inches)



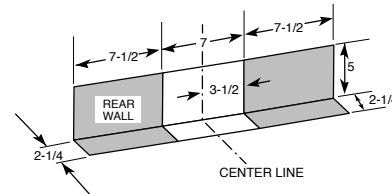
All GE ranges are equipped with an Anti-Tip device. The installation of this device is an important, required step in the installation of the range.

**Electric Free-Standing Range**  
**Anti-Tip Bracket (Part No. 164D3799P002)**  
JBP95/90/82/80/69/68/66/64/48/35/30/26/24, JBS05  
**Anti-Tip Bracket (Part No. 183D6270P001)**  
JBP61/60/21, JBS27/26/07/03

### Dimensions and Installation Information (in inches) for Models JBP61/60 only



\*The range may be placed with a 0" clearance (flush) at the back wall and side walls if the range side trims extend beyond the cabinet fronts at least 1/4". Self-clean models only.  
\*Dimension from wall to front of closed oven door handle is 27-1/2".



**Installation Information:**  
Before installing, consult installation instructions packed with range for current dimensional data.



### 30" Free-Standing CleanDesign Electric Ranges

Features	GE Profile™		GE®							
	JBP95SF JBP95TF JBP95KF JBP95BF	JBP90SF JBP90TF JBP90KF JBP90BF	JBP82SF JBP82TF JBP82WF JBP82KF JBP82CF JBP82BF	JBP80SF JBP80TF JBP80WF JBP80KF JBP80CF JBP80BF	JBP69WD JBP69CD JBP69BD	JBP66WB JBP66CB JBP66BB	JBP68WD JBP68CD	JBP64WB JBP64BB	JBP61BD	JBP60BC
Self-clean oven	Convection	Convection	●	●	●	●	●	●	●	●
Self-clean latch	Auto	Auto	Auto	●	●	●	●	●	●	●
Oven capacity (cu. ft.)	4.5	4.5	5.0	5.0	5.0	5.0	5.0	5.0	5.0	5.0
CleanDesign oven interior	●									
Oven racks	3 heavy-duty	3	2	2	2	2	2	2	2	2
Self-clean oven racks	●									
Ceramic-glass cooktop	Black True white True bisque Black	Black True white True bisque Black	Black True white Patterned White True bisque Patterned Bisque Black	Black True white Patterned White True bisque Patterned Bisque Black	Patterned White Patterned Bisque Black	Patterned White Patterned Bisque Black	Patterned White Patterned Bisque Black	Patterned White Black	Black	Patterned White
One-piece upswept cooktop	●	●	●	●	●	●	●	●	●	●
Dual 6"/9" Ribbon heating element	1 (1000/2500W)	1 (1000/2500W)	1 (1000/2500W)	1 (1000/2500W)						
8" Ribbon heating elements		1 (2000W)		1 (2000W)	2 (2000W)	2 (2000W)	2 (2000W)	2 (2000W)	2 (2000W)	2 (2000W)
7" Ribbon heating element	2 (1800W)		2 (1800W)							
Bridge element	1 (800W)		1 (800W)							
Total wattage	4400		4400							
6" Ribbon heating elements	1 (1500W)	2 (1500W)	1 (1500W)	2 (1500W)	2 (1500W)	2 (1500W)	2 (1500W)	2 (1500W)	2 (1500W)	2 (1500W)
6" Warming zone	1 (140W)	1 (140W)	1 (140W)	1 (140W)						
Infinite heat controls	●	●	●	●	●	●	●	●	●	●
TrueTemp™ system	●	●	●	●	●	●	●	●	●	●
SmartLogic™ controls	●	●	●	●	●	●	●	●	●	●
Six-pass power bake element	●	●	●	●	●	●	●	●	●	●
Convection bake	●	●	●	●	●	●	●	●	●	●
Convection roast	●	●	●	●	●	●	●	●	●	●
Convenience controls	●	●	●	●	●	●	●	●	●	●
QuickSet oven controls	QuickSet V	QuickSet V	QuickSet IV	QuickSet IV	QuickSet III	QuickSet III	QuickSet II	QuickSet II	QuickSet II	QuickSet I
Digital temperature display	●	●	●	●	●	●	●	●	●	●
Oven function icons	●	●	●	●	●	●	●	●	●	●
Digipad numeric entry	●	●	●	●	●	●	●	●	●	●
Convection conversion	●	●	●	●	●	●	●	●	●	●
Delay bake	●	●	●	●	●	●	●	●	●	●
Oven light pad	●	●	●	●	●	●	●	●	●	●
Control lock capability	●	●	●	●	●	●	●	●	●	●
Start pad	●	●	●	●	●	●	●	●	●	●
Self-clean cool-down time display	●	●	●	●	●	●	●	●	●	●
Auto self-clean	●	●	●	●	●	●	●	●	●	●
Delay clean option	●	●	●	●	●	●	●	●	●	●
Auto oven shut-off	w/override	w/override	w/override	w/override	w/override	w/override	w/override	w/override	w/override	w/override
Certified Sabbath mode	●	●	●	●	●	●	●	●	●	●
Audible preheat signal	●	●	●	●	●	●	●	●	●	●
Dual element bake	●	●	●	●	●	●	●	●	●	●
Automatic meat thermometer	●	●	●	●	●	●	●	●	●	●
Hot surface lights	●	●	●	●	●	●	●	●	●	●
Oven "ON" light	●	●	●	●	●	●	●	●	●	●
Self-clean cycle light	●	●	●	●	●	●	●	●	●	●
Interior oven light	Auto/Pad	Auto/Pad	Switch	Switch	Switch	Switch	Switch	Switch	Switch	Switch
Storage drawer	Stainless steel White Bisque Black	Stainless steel White Bisque Black	Stainless steel White White Bisque Bisque Black	Black White White Bisque Bisque Black	White Bisque Black	White Bisque CM*	White Bisque	White CM*	White	White
Broiler pan/grid	●	●	●	●	●	●	●	●	●	●
Roasting rack	●	●	●	●	●	●	●	●	●	●
<b>Appearance</b>										
Color appearance*	SS WW CC BB	SS WW CC BB	SS WW WW CC CC BB	SB WW WW CC CC BB	WW CC BB	WW CC WH/CT	WW CC	WW WH/CT	WH	WH
Frameless glass oven door	Stainless steel White Bisque Black	Stainless steel White Bisque Black	Stainless steel White White Bisque Bisque Black	Stainless color White White Bisque Bisque Black	White Bisque Black	White Bisque Black	White Bisque Black	White Black	Black	Black
Oven door with window	Big ClearView™	Big ClearView	Big ClearView	Big ClearView	Big View	●	Big View	●	●	●
Designer-style handle	Sure Grip	Sure Grip	●	●	●	●	●	●	●	●
<b>Weights &amp; Dimensions</b>										
Overall oven interior dimensions (WxHxD in inches)	← 24-1/4 x 19 x 19 →								23-3/4 x 19 x 18-1/2	
Approx. shipping weight (lbs.)	210	205	198	198	175	175	174	174	174	165
<b>Power/Ratings</b>										
KW rating @ 240V	12.4	11.5	11.0	11.0	10.5	10.5	10.5	10.5	10.5	10.5
208V	9.3	8.3	8.3	8.3	7.9	7.9	7.9	7.9	7.9	7.9
<b>Accessories</b>										
Cooktop cleaning creme & pad	●	●	●	●	●	●	●	●	●	●

\*SS = Stainless steel, SB = Stainless color, WW = White on white, CC = Bisque on bisque, BB = Black on black, WH = White, CT = Bisque  
CM = Color-Matched indicates color of drawer matches range cooktop (either white or bisque).

See page 160 for warranty information.



Refrigeration

Cooking Products

Microwave Ovens

Dishwashers

Clothes Care

Air Conditioning

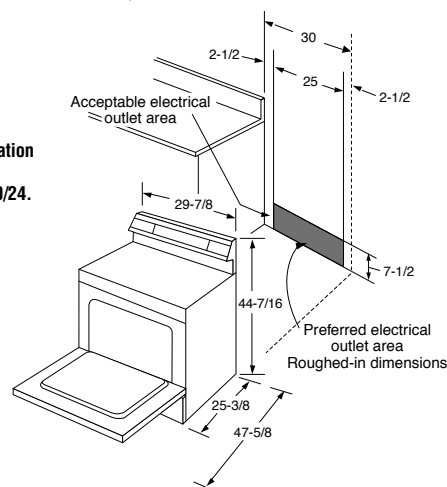
## 30" Free-Standing QuickClean™ Electric Ranges

Features	GE Profile™	GE®								
	JBP48WB JBP48CB JBP48BB	JBP35WB JBP35CD JBP35ED JBP35BB	JBP30WB JBP30CB JBP30BB	JBP24WB JBP24BB	JBS27WC JBS27CC JBS27BC	JBS26C	JBS07C	JBS05Y	JBS03BC JBS03C	
Oven cleaning	Self-Clean	Self-Clean	Self-Clean	Self-Clean	Standard	Standard	Standard	Standard	Standard	
Oven capacity (cu. ft.)	5.0	5.0	5.0	5.0	5.0	5.0	5.0	3.7	5.0	
Oven racks	2	2	2	2	2	2	2	2	2	
Upswept porcelain-enameled cooktop	•	•	•	•	•	•	•	•	•	
Clean-Well™ cooktop system	•	•	•	•	•	•	•	•	•	
Lift-up cooktop w/dual support rods	•	•	•	•	•	•	•	•	•	
8" heating elements	2 (6 turns)	2 (6 turns)	2 (6 turns)	2 (5 turns)	2 (5 turns)	2 (4 turns)	1 (5 turns)	1 (4 turns)	1 (5 turns)	
6" heating elements	2 (5 turns)	2 (5 turns)	2 (5 turns)	2 (4 turns)	2 (4 turns)	2 (3 turns)	3 (4 turns)	3 (3 turns)	3 (4 turns)	
Warming option	•	•	•	•	•	•	•	•	•	
Infinite heat controls	•	•	•	•	•	•	•	•	•	
Plug-in Calrod™ heating elements	•	•	•	•	•	•	•	•	•	
Removable 1-piece drip bowls	Grey Black Black	Black	Grey Black Black	Chrome	Chrome	Chrome	Chrome	Chrome	Chrome	
TrueTemp™ system	•	•	•	•	•	•	•	•	•	
SmartLogic™ controls	•	•	•	•	•	•	•	•	•	
Six-pass power bake element	•	•	•	•	•	•	•	•	•	
Convenience controls	•	•	•	•	•	•	•	•	•	
QuickSet oven controls	QuickSet IV	QuickSet III	QuickSet III	QuickSet II						
Digital temperature display	•	•	•	•						
Electronic oven controls	•	•	•	•						
Auto oven shut-off	w/override	w/override	w/override	w/override						
Control lock capability	•	•	•	•						
Start pad	•	•	•	•						
Delay clean option	•	•	•	•						
Auto self-clean	•	•	•	•						
Self-clean cool down display	•	•	•	•						
Certified Sabbath mode	•	•	•	•						
Audible preheat signal	•	•	•	•						
Clock and minute timer	•	•	•	•	•	•	•	•	•	
Dual element bake	•	•	•	•	•	•	•	•	•	
Heating element "ON" indicator light	•	•	•	•	•	•	•	•	•	
Interior oven light	Auto/Switch in display	Switch	Switch	Switch	Switch	Switch	Switch	Switch	Switch	
Preheated oven light	•	•	•	•	•	•	•	•	•	
Removable full-width storage drawer	White Bisque Black	CM*	White Bisque CM*	White CM*	White Bisque CM*	CM*	White	CM*	CM*	
Broiler pan with grid	•	•	•	•	•	•	•	•	•	
<b>Appearance</b>										
Color appearance*	WW CC BB WH/CT	WW CC BB WH/CT	WW CC BB WH/CT	WW WH/CT	WW CC WH/CT	WH/CT	WW	WH/AD	WH/CT WH/CT/AD	
Frameless glass oven door*	White Bisque Black	Black	White Bisque Black	White Black	White Bisque Black	CM*	White	CM*	Black CM*	
Oven door with window	Big View	Big View	•	•	•	•	•	•	•	
Removable oven door	•	•	•	•	•	•	•	•	•	
Designer-style handle	Sure Grip	•	•	•	•	•	•	Visor	Visor	
Textured steel side panels	•	•	•	•	•	•	•	•	•	
<b>Weights &amp; Dimensions</b>										
Overall oven interior dimensions (WxHxD in inches)	24-1/4 x 19 x 19				23-3/4 x 19 x 18-1/2				22-3/4 x 15-3/4 x 17	23-3/4 x 19 x 18-1/2
Approx. shipping weight (lbs.)	176	173	170	170	158	159	141	157	154	
<b>Power/Ratings</b>										
KW rating @ 240V	11.7	11.7	11.7	11.7	12.6	11.1	11.5	9.3	11.4	
208V	8.8	8.8	8.8	8.8	9.9	8.8	9.1	6.9	9.0	

\*WW = White on white, CC = Bisque on bisque, BB = Black on black, WH = White, CT = Bisque, AD = Almond.  
CM = Color-Matched indicates color of oven door or storage drawer matches range cooktop (either white, bisque or almond).



### Dimensions and Installation Information (in inches) for models JBP48/35/30/24.



**Note:** 30" ranges conform to U.L. requirements for 0" spacing from adjacent walls below countertops. To reduce possible scorching of walls, engineering recommends a minimum of 1-1/2" spacing to allow for possible extended, high heat, no-load heating element operation.

**Receptacle Locations:** Locally approved flexible service cord or conduit must be used because terminals are not accessible after range installation. See shaded area in drawing for location of electrical outlet box. Recommended outlet locations allow range to be installed directly against wall.

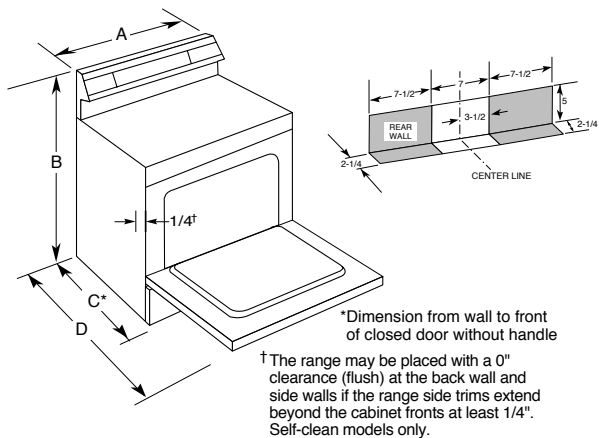
See page 160 for warranty information.





## 30" Free-Standing QuickClean™ Electric Ranges (continued)

Dimensions and Installation Information (in inches)  
for models JBS27/26/07/03.

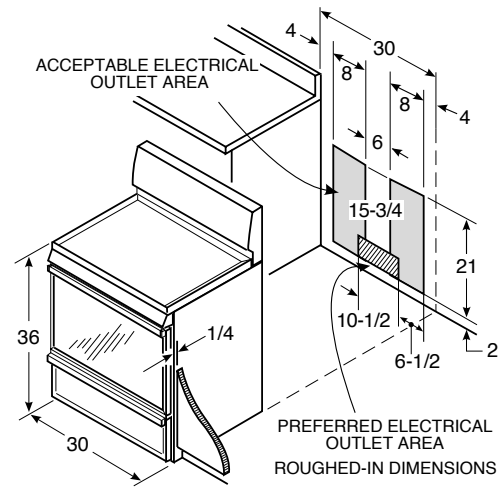


### Cabinet Dimensions (in inches)

Model	A	B	C*	D
JBS27	29-7/8	46-1/2	26-3/8	46-3/8
JBS26	29-7/8	46-1/2	26-1/4	46-1/4
JBS07	29-7/8	46-1/2	26-1/4	46-1/4
JBS05	29-7/8	44-5/8	25-5/16	45-1/2
JBS03BC	29-7/8	46-1/2	26-3/8	46-3/8
JBS03C	29-7/8	46-1/2	26-1/4	46-1/4

\*Dimension from wall to front of closed oven door handle is 28-1/2" on model JBS27/03BC; 28-3/8" on JBS26/07; 28" on JBS03C; 27-1/8" on JBS05Y.

Dimensions and Installation Information (in inches)  
for model JBS05

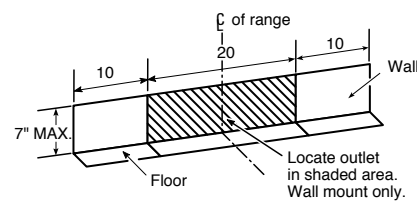
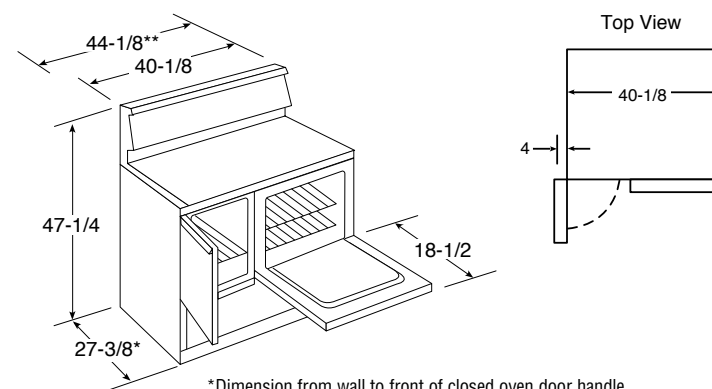


## 40" Electric Ranges

Features	GE	
	JCP67Y	JCS57Y
Oven cleaning	Master Oven—Self-Clean Companion Oven—Standard	Standard
Oven racks	Master Oven—2 Companion Oven—1	Master Oven—2
8" heating elements	2	2
6" heating elements	2	2
Removable drip bowls	One-Piece Chrome	One-Piece Chrome
Clock and minute timer	Electronic	Electronic
Automatic oven timer	Master	
Heating element "ON" indicator light	•	•
Interior oven light	•	•
Full-width fluorescent cooktop night light	•	•
Oven cycling light	2	•
Storage drawer	•	•
Broiler pan with grid	Master Oven—1 Companion Oven—1	Master Oven—1
<b>Appearance</b>		
Color appearance*	WW	WW
Oven door with window	Master Oven	•
Removable oven door	Master	•
<b>Weights &amp; Dimensions</b>		
Overall oven interior dimensions (WxHxD in inches)	Master Oven— 22-5/8 x 15-7/8 x 18-1/8 Companion Oven— 9-9/16 x 16 x 19-1/2	22-5/8 x 15-7/8 x 18-1/8
Approx. shipping weight (lbs.)	224	197
<b>Power/Ratings</b>		
KW rating @ 240V	14.2	12.6
208V	10.7	9.5

\*WW = White on white.

40" Range Dimensions and Installation Information (in inches)



**Receptacle Locations:** For all 40" Free-Standing Ranges locally approved flexible service cord or conduit must be used because terminals are not accessible after range installation. See shaded area in drawing for location of electrical outlet box. Recommended outlet locations allow range to be installed directly against rear wall.

**Installation Information:** Before installing, consult installation instructions packed with product for current dimensional data.



All GE ranges are equipped with an Anti-Tip device. The installation of this device is an important, required step in the installation of the range.

**Electric Free-Standing Range Anti-Tip Bracket (Part No. 164D3799P002)**  
JBP95/90/82/80/69/68/66/64/48/35/30/26/24, JBS05  
**Anti-Tip Bracket (Part No. 183D6270P001)**  
JBP61/60/21, JBS27/26/07/03

See page 160 for warranty information.



## 30" Self-Clean Gas Ranges

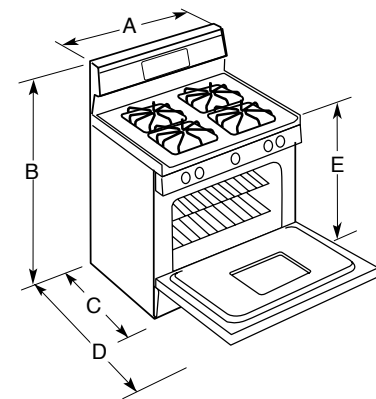
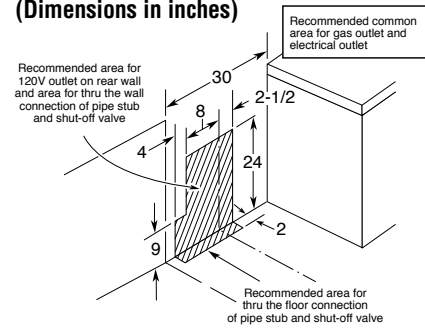
	GE Profile Performance™		GE Profile™			
	JGB920SEC JGB920TEC JGB920KEC JGB920BEC	JGB910SEC JGB910WEC JGB910CEC JGB910BEC	JGB90MEB	JGBP86WEB JGBP86CEB JGBP86BEB	JGBP85WEB JGBP85CEB JGBP85BEB	JGBP79MEF JGBP79WEB JGBP79CEB JGBP79BEB
<b>Capacity</b>						
Extra-large oven	•	•	•	•	•	•
<b>Features</b>						
Oven cleaning	Self-Clean	Self-Clean	Self-Clean	Self-Clean	Self-Clean	Self-Clean
	Black True White True Bisque Black					
Ceramic-glass cooktop						
Cooktop burners	Sealed	Sealed	Sealed	Sealed	Sealed	Sealed
Maximum Output burner (Nat.)	(2) 12,000/ 1,600 BTU	(2) 12,000/ 1,000 BTU	(2) 12,000/ 1,000 BTU	(2) 12,000/ 1,000 BTU	(2) 12,000/ 1,000 BTU	(2) 12,000/ 1,000 BTU
Precise Simmer burner (Nat.)	(1) 5,200/950 BTU	(1) 5,000/600 BTU	(1) 5,000/600 BTU	(1) 5,000/600 BTU	(1) 5,000/600 BTU	(1) 5,000/600 BTU
All-purpose burners (Nat.)	(1) 9,500/1250 BTU	(1) 9,500/850 BTU	(1) 9,500/850 BTU	(1) 9,500/850 BTU	(1) 9,500/850 BTU	(1) 9,500/850 BTU
Warming zone (120 Watts)	•	•	•	•	•	•
Warming zone hot light	•	•	•	•	•	•
Valves (degree of turn)	270	270	270	270	270	270
TrueTemp™ system	•	•	•	•	•	•
SmartLogic™ controls	•	•	•	•	•	•
Convection bake	•	•	•	•	•	•
Convection roast	•	•	•	•	•	•
QuickSet oven controls	QuickSet V	QuickSet V	QuickSet V	QuickSet V	QuickSet V	QuickSet IV
Auto Self-Clean	•	•	•	•	•	•
Electronic oven control	•	•	•	•	•	•
Hi/Low broil	•	•	•	•	•	•
Electronic clock and timer	•	•	•	•	•	•
Automatic oven timer	•	•	•	•	•	•
Audible preheat signal	•	•	•	•	•	•
Auto oven shut-off	•	•	•	•	•	•
Certified Sabbath mode	•	•	•	•	•	•
One-piece upswept cooktop	Porc.-Enam.	Porc.-Enam.	Porc.-Enam.	Porc.-Enam.	Porc.-Enam.	Porc.-Enam.
		Black Grey Taupe Black	Black	Grey Taupe Black	Grey Taupe Black	Black Grey Taupe Black
Porcelain-enameled one-piece drip pans	Black Hvy.-Cast Grey Hvy.-Cast Taupe Hvy.-Cast Black Hvy.-Cast	Black Hvy.-Cast Grey Hvy.-Cast Taupe Hvy.-Cast Black Hvy.-Cast	Profes. Grates	Profes. Grates Grey Taupe Black	Grey Hvy.-Cast Taupe Hvy.-Cast Black Hvy.-Cast	Black Hvy.-Cast Grey Hvy.-Cast Taupe Hvy.-Cast Black Hvy.-Cast
Removable square grates			Profes. Grates	Profes. Grates Grey Taupe Black	Grey Hvy.-Cast Taupe Hvy.-Cast Black Hvy.-Cast	Black Hvy.-Cast Grey Hvy.-Cast Taupe Hvy.-Cast Black Hvy.-Cast
Ignition system	Electronic	Electronic	Electronic	Electronic	Electronic	Electronic
Oven racks	3	3	3	3	3	3
Six embossed rack positions	•	•	•	•	•	•
Extra-large broiler pan/grid	•	•	•	•	•	•
Scratch-resistant backguard	Glass	Glass	Soft Stainless	Glass	Glass	Soft Stainless Porc.-Enam.
Fluorescent cooktop light (excludes stainless models)	•	•	•	•	•	•
Interior oven light	•	•	•	•	•	•
Warming drawer	450 Watt	450 Watt	450 Watt	450 Watt	450 Watt	450 Watt
Infinite control	•	•	•	•	•	•
Temp. settings (lo, med, high)	150° - 220° F	150° - 220° F	150° - 220° F	150° - 220° F	150° - 220° F	150° - 220° F
Stainless steel insert	•	•	•	•	•	•
In-oven broiling	•	•	•	•	•	•
<b>Appearance</b>						
	SS WW CC BB	SS WW CC BB	BC	WW CC BB	WW CC BB	BC WW CC BB
Color appearance*			BC	WW CC BB	WW CC BB	BC WW CC BB
Frameless removable oven door	Stainless steel White Glass Bisque Glass Black Glass	Stainless steel White Glass Bisque Glass Black Glass	Soft Stainless	White Glass Bisque Glass Black Glass	White Glass Bisque Glass Black Glass	Soft Stainless White Glass Bisque Glass Black Glass
Oven door with window	Big View	Big View	Big View	Big View	Big View	Big View
Designer-style handle	Sure Grip	Sure Grip	Professional-Style	Sure Grip	Sure Grip	Sure Grip
Designer-style control knobs	•	•	Professional-Style	•	•	•
Four leveling legs	•	•	•	•	•	•
<b>Weights &amp; Dimensions</b>						
Overall oven interior dimensions (WxHxD in inches)	← 24 x 17 x 19 →					
Approx. shipping weight (lbs.)	246	225	230	220	220	210
<b>Power/Ratings</b>						
Top burners (000's BTU's) Nat/LP	(2) 12.0/11.0 (1) 5.2/5.2 (1) 9.5/8.5			(2) 12.0/11.0 (1) 5.0/5.0 (1) 9.5/9.5		
Oven/broiler burners (000's BTU's) Nat/LP				16.0/16.0 Oven 13.5/12.0 Broil		
Gas range electrical rating	← 120V, 60Hz, 5A →					
LP conversion kit (included)	•	•	•	•	•	•

\*SS = Stainless steel, BC = Soft stainless, WW = White on white, CC = Bisque on bisque, BB = Black on black. Factory set for Natural Gas. A set of LP orifices is included with each Spectra range for LP conversion.

See page 160 for warranty information.

210

### Installation Information (Dimensions in inches)



Model	A	B	C*	D	E
JGB920	30	47-3/4	26-1/4	46-3/8	36 ± 1/4
JGB910	30	47-3/4	26-1/4	46-3/8	36 ± 1/4
JGBP90	30	47-3/4	26-1/4	46-3/8	36 ± 1/4
JGBP86	30	47-3/4	26-1/4	46-3/8	36 ± 1/4
JGBP85	30	47-3/4	26-1/4	46-3/8	36 ± 1/4
JGBP79	30	46-1/2	26-1/4	46-3/8	36 ± 1/4

\*Dimension from wall to front of closed door handle is 29" on models JGB920/910, JGBP86/85/79 and 28-1/4" on model JGBP90. 25-1/4"—Depth to front edge of cooktop.

**Optional Gas Range Accessory Drip Pans For Sealed and Standard Burner Models** (Available at additional cost) To order these accessory drip pans, call toll-free 800-626-2002.

**Optional Gas Range Wok Accessory** (Available at additional cost) JXWK = Wok holder accessory sits on top of maximum burner grate to hold a round-bottom wok.

**Installation Information:** Before installing, consult installation instructions packed with product for current dimensional data.



All GE ranges are equipped with an Anti-Tip device. The installation of this device is an important, required step in the installation of the range.

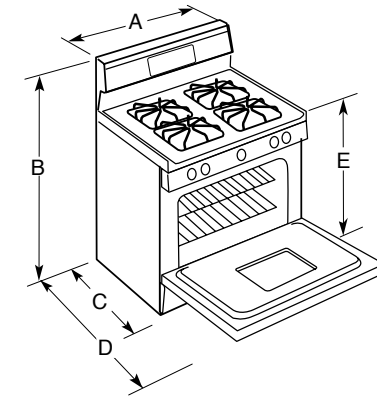
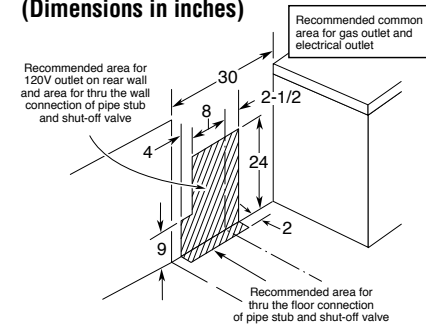
**Gas Self-Clean Range  
Anti-Tip Bracket (Part No. 205C1714P001)**  
JGB920/910/90/86/85/79/35/30/28/26/24



	GE®				
	Sealed Burner Models			Standard Burner Models	
	JGBP35WEA JGBP35CEA JGBP35BEA	JGBP30WEA JGBP30CEA JGBP30BEA	JGBP28WEA JGBP28BEA	JGBP26WEA JGBP26CEA JGBP26BEA	JGBP24BEA
<b>Capacity</b>					
Extra-large oven	•	•	•	•	•
<b>Features</b>					
Oven cleaning	Self-Clean	Self-Clean	Self-Clean	Self-Clean	Self-Clean
Cooktop burners	Sealed	Sealed	Sealed	Standard/Twin	Standard/Twin
Maximum Output burner (Nat.)	(1) 12,000/ 1,000 BTU	(1) 12,000/ 1,000 BTU			
Precise Simmer burner (Nat.)	(1) 5,000/ 600 BTU	(1) 5,000/ 600 BTU			
All-purpose burners (Nat.)	(2) 9,500/ 850 BTU	(2) 9,500/ 850 BTU	(4) 9,500/ 850 BTU	(4) 9,500/ 850 BTU	(4) 9,500/ 850 BTU
Valves (degree of turn)	270	270	140	270	270
TrueTemp™ system	•	•	•	•	•
SmartLogic™ controls	•	•	•	•	•
QuickSet oven controls	QuickSet IV	QuickSet III	QuickSet II	QuickSet III	QuickSet II
Auto Self-Clean	•	•	•	•	•
Electronic oven control	•	•	•	•	•
Hi/Low broil	•	•	•	•	•
Electronic clock and timer	•	•	•	•	•
Automatic oven timer	•	•	•	•	•
Audible preheat signal	•	•	•	•	•
Auto oven shut-off	•	•	•	•	•
Certified Sabbath mode	•	•	•	•	•
One-piece upswept cooktop	Porc.-Enam.	Porc.-Enam.	Porc.-Enam.	Porc.-Enam.	Porc.-Enam.
Lift-up cooktop	•	•	•	•	•
Easy-clean subtop	•	•	•	Porc.-Enam.	Porc.-Enam.
Porcelain-enameled one-piece drip pans	Grey Taupe Black	Grey Taupe Black	Opt. Access.	Chrome Chrome Black	Opt. Access.
Removable square grates	Grey Medium-Cast Taupe Medium-Cast Black Medium-Cast	Grey Deluxe Porc.-Steel Taupe Deluxe Porc.-Steel Black Deluxe Porc.-Steel	Grey Std. Porc.-Steel Black Std. Porc.-Steel	Grey Std. Porc.-Steel Taupe Std. Porc.-Steel Black Std. Porc.-Steel	Black Std. Porc.-Steel
Ignition system	Electronic	Electronic	Electronic	Electronic	Electronic
Oven racks	2	2	2	2	2
Six embossed rack positions	•	•	•	•	•
Extra-large broiler pan/grid	•	•	•	•	•
Scratch-resistant backguard	Porc.-Enam.	Porc.-Enam.	Porc.-Enam.	Porc.-Enam.	Porc.-Enam.
Interior oven light	•	•	•	•	•
Storage drawer	•	•	•	•	•
In-oven broiling	•	•	•	•	•
<b>Appearance</b>					
Color appearance*	WW CC BB	WW CC WH/CT	WW WH/CT	WW CC WH/CT	WH/CT
Frameless removable oven door	White Glass Bisque Glass Black Glass	White Glass Bisque Glass Black Glass	White Glass Black Glass	White Glass Black Glass	Solid Black Glass
Oven door with window	Big View	Big View	•	•	•
Designer-style handle	•	•	•	•	•
Four leveling legs	•	•	•	•	•
<b>Weights &amp; Dimensions</b>					
Overall oven interior dimensions (WxHxD in inches)	24 x 17 x 19				
Approx. shipping weight (lbs.)	210	210	210	200	200
<b>Power/Ratings</b>					
Top burners (000's BTU's) Nat/LP	(1) 12.0/11.0 (1) 5.0/5.0 (2) 9.5/9.5		(4) 9.5/9.5		(4) 9.0/8.0
Oven/broiler burners (000's BTU's) Nat/LP	16.0/16.0 Oven 13.5/12.0 Broil				
Gas range electrical rating	120V, 60Hz, 5A				
LP conversion kit (included)	•	•	•	•	•

\*WW = White on white, CC = Bisque on bisque, BB = Black on black, WH = White, CT = Bisque.  
Factory set for Natural Gas. A set of LP orifices is included with each range for LP conversion.

**Installation Information  
(Dimensions in inches)**



Model	A	B	C*	D	E
JGBP35	30	46-1/2	26-1/4	46-3/8	36 ± 1/4
JGBP30	30	46-1/2	26-1/4	46-3/8	36 ± 1/4
JGBP28	30	46-1/2	26-1/4	46-3/8	36 ± 1/4
JGBP26	30	46-1/2	26-1/4	46-3/8	36 ± 1/4
JGBP24	30	46-1/2	26-1/4	46-3/8	36 ± 1/4

\*Dimension from wall to front of closed door handle is 28-1/4.  
25-1/4"—Depth to front edge of cooktop.

**Optional Gas Range Accessory Drip Pans For Sealed and Standard Burner Models** (Available at additional cost) To order these accessory drip pans, call toll-free 800-626-2002.

**Optional Gas Range Wok Accessory** (Available at additional cost)  
JXWK = Wok holder accessory sits on top of maximum burner grate to hold a round-bottom wok.

**Installation Information:** Before installing, consult installation instructions packed with product for current dimensional data.



All GE ranges are equipped with an Anti-Tip device. The installation of this device is an important, required step in the installation of the range.

**Gas Self-Clean Range  
Anti-Tip Bracket (Part No. 205C1714P001)**  
JGBP920/910/90/86/85/79/35/30/28/27/26/24

See page 160 for warranty information.

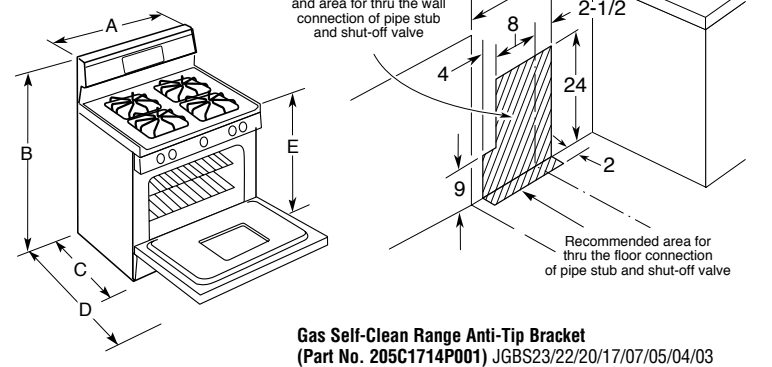


## 30" Continuous- & Standard-Clean Gas Ranges

GE®									
Sealed Burner Models			Standard Burner Models						
JGBS23WEA JGBS23CEA JGBS23DEF JGBS23BEA	JGBS22BEA	JGBC20BEA JGBS20BEA	JGBC20WEA JGBS20WEA	JGBS17PEA	JGBS07PEA	JGBS04BEA JGBS04BPA	JGBS04PEA JGBS04PPA	JGBS03PPA	
<b>Capacity</b>									
Extra-large oven	•	•	•	•	•	•	•	•	•
<b>Features</b>									
Oven cleaning	Standard-Clean	Standard-Clean	Cont.-Clean Standard-Clean	Cont.-Clean Standard-Clean	Standard-Clean	Standard-Clean	Standard-Clean	Standard-Clean	Standard-Clean
Cooktop burners	Sealed	Sealed	Std./Twin	Std./Twin	Std./Twin	Std./Twin	Std./Twin	Std./Twin	Std./Twin
Maximum Output burner (Nat.)	(1) 12,000/ 1,000 BTU								
Precise Simmer burner (Nat.)	(1) 5,000/600 BTU								
All-purpose burners (Nat.)	(2) 9,500/850 BTU	(4) 9,500/850 BTU							
Valves (degree of turn)	270	140	140	140	140	140	140	140	140
Electronic clock and timer	•	•	•	•	•	•	•	•	•
Porcelain-enameled cooktop	One-Piece Upswept	One-Piece Upswept	One-Piece Upswept	One-Piece Upswept	One-Piece Upswept	•	•	•	•
Lift-up cooktop			•	•	•	•	•	•	•
Easy-clean porcelain-enameled subtop			•	•	•	•	•	•	•
One-piece drip pans	Grey Taupe Black Black	Opt. Access.	Opt. Access.	Opt. Access.	Opt. Access.	Opt. Access.	Opt. Access.	Opt. Access.	Opt. Access.
Removable square grates	Deluxe Porcelain-Steel	Black Standard Porcelain-Steel	Black Standard Porcelain-Steel	Grey Standard Porcelain-Steel	Black Standard Porcelain-Steel	Grey Standard Porcelain-Steel	Black Standard Porcelain-Steel	Black Standard Porcelain-Steel	1-Piece Wire
Ignition system	Electronic	Electronic	Electronic	Electronic	Electronic	Electronic	Electronic Pilot†	Electronic Pilot†	Pilot†
Oven racks	2	2	2	2	2	2	2	2	2
Six embossed rack positions	•	•	•	•	•	•	•	•	•
Extra-large broiler pan/grid	•	•	•	•	•	•	•	•	•
Porcelain-enameled backguard	•	•	•	•	•	•	•	•	•
Interior oven light	•	•	•	•	•	•	•	•	•
Slide-out broiler drawer	•	•	•	•	•	•	•	•	Drop-Down
<b>Appearance</b>									
Color appearance*	WW CC BB WH/CT	WH/CT	WH/CT WH/AD	WW	WH/CT	WW	WH/CT	WH/CT	WH/AD
Frameless removable oven door	White Glass Bisque Glass Black Glass Black Glass	Black Glass	Black Glass	White Glass	CM* Porcelain-Enameled	White Porcelain-Enameled	Solid Black Glass	CM* Porcelain-Enameled	CM* Porcelain-Enameled
Oven door with window	Big View	•	•	•	•	•	•	•	•
Designer-style handle	•	•	•	•	•	•	•	•	•
Four leveling legs	•	•	•	•	•	•	•	•	•
<b>Weights &amp; Dimensions</b>									
Overall oven interior dimensions (WxHxD in inches)	24 x 17 x 19								
Approx. shipping weight (lbs.)	180	170	175	175	175	165	165	165	160
<b>Power/Ratings</b>									
Top burners (000's BTU's) Nat/LP	(1) 12.0/11.0 (1) 5.0/5.0 (2) 9.5/9.5	(4) 9.5/9.5	(4) 9.0/8.0						
Oven/broiler burners (000's BTU's) Nat/LP	18.0/16.5								
Gas range electrical rating**	120V, 60Hz., 5A								
LP conversion kit (included)	•	•	•	•	•	•	•	•	•

\*WW= White on white, CC = Bisque on bisque, AA = Almond on almond, WH = White, CT = Bisque, AD = Almond, CM = Color-Matched indicates color of oven door matches cooktop (either white, bisque or almond).  
 \*\*Electrical rating not applicable to standing pilot models.  
 †JGBS04BPA, JGBS04PPA and JGBS03PPA have standing pilot ignition.  
 Factory set for Natural Gas. A set of LP orifices is included with each range for LP conversion.  
 Note: Model JGBS03PPA does not have a flamespreader in broiler compartment.

### Installation Information (Dimensions in inches)



See page 160 for warranty information.

212

Model	A	B	C*	D	E
JGBS23	30	46-1/2	26-1/4	46-3/8	36 ± 1/4
JGBS22	30	46-1/2	26-1/4	46-3/8	36 ± 1/4
JGBC20	30	46-1/2	26-1/4	46-3/8	36 ± 1/4
JGBS20	30	46-1/2	26-1/4	46-3/8	36 ± 1/4
JGBC20	30	46-1/2	26-1/4	46-3/8	36 ± 1/4
JGBS20	30	46-1/2	26-1/4	46-3/8	36 ± 1/4
JGBS17	30	46-1/2	26-1/4	46-1/4	36 ± 1/4
JGBS07	30	45-1/2	26-1/4	46-1/4	36 ± 1/4
JGBS04	30	45-1/2	26-1/4	46-3/8	36 ± 1/4
JGBS04	30	45-1/2	25-5/16	46-1/4	36 ± 1/4
JGBS03	30	40	25-5/16	46-1/4	36 ± 1/4

\*Dimension from wall to front of closed door handle is 29".  
 On models JGBS04 and JGBS03 the dimension is 27-7/16".  
 25-1/4"—Depth to front top edge of cooktop.



All GE ranges are equipped with an Anti-Tip device. The installation of this device is an important, required step in the installation of the range.



### 36" and 30" Designer Hoods

	GE Profile™			
	JV966D	JV965D	JV936D	JV935D
<b>General</b>				
Width	36"	36"	30"	30"
Height	18"	18"	18"	18"
<b>Features</b>				
Ducting	Vertical Only	Vertical Only	Vertical Only	Vertical Only
Duct size	7" round	7" round	7" round	7" round
CFM rating	600	600	600	600
Sones rating	7	7	7	7
Filters	●	●	●	●
Filter cleaning	Dishwasher-Safe	Dishwasher-Safe	Dishwasher-Safe	Dishwasher-Safe
Lighting	Dual Halogen	Dual Halogen	Dual Halogen	Dual Halogen
Control type	Manual	Manual	Manual	Manual
Control location	Hidden	Hidden	Hidden	Hidden
Four-speed fan control	●	●	●	●
Light settings	Off/High/Night	Off/High/Night	Off/High/Night	Off/High/Night
Blower/light switch color	Black	Black/White/Bisque	Black	Black/White/Bisque
<b>Appearance</b>				
Color appearance*	SS	WW/CC/BB	SS	WW/CC/BB
<b>Weights &amp; Dimensions</b>				
Approx. shipping weight (lbs.)	77	77	68	68
<b>Power/Ratings</b>				
Current rating Amps @ 120V	3.9	3.9	3.9	3.9
<b>Accessories/Kits</b>				
Baffle filter kit	●	●	●	●
Optional chimney kit	●	●	●	●

\*SS = Stainless steel, WW = White on white, CC = Bisque on bisque, BB = Black on black.

#### Optional Kits for 36" Designer Hoods

JXBF36SS—36" Commercial Filter  
 JXCHSS—Stainless Chimney Kit  
 JXCHWW—White Chimney Kit  
 JXCHCC—Bisque Chimney Kit  
 JXCHBB—Black Chimney Kit  
 JXDW1—7" round to 3-1/4" x 10" rectangular duct transition for rear wall discharge.

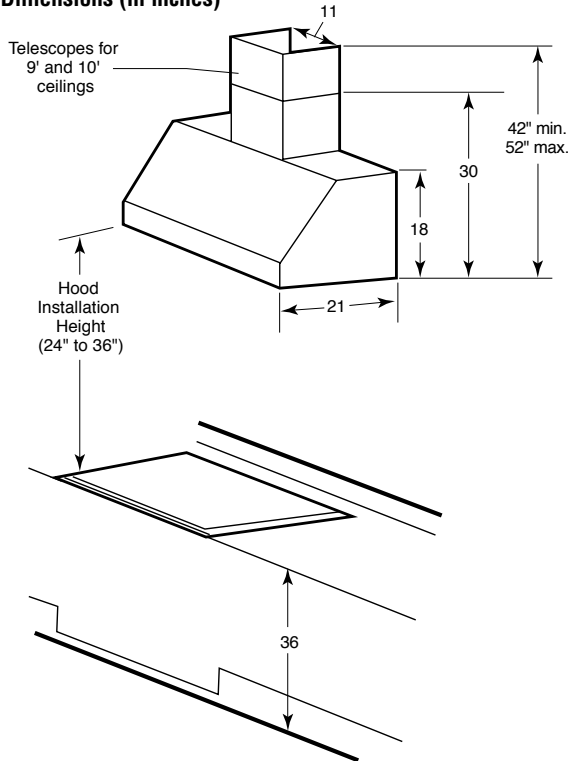
#### Optional Kits for 30" Designer Hoods

JXBF30SS—30" Commercial Filter  
 JXCHSS—Stainless Chimney Kit  
 JXCHWW—White Chimney Kit  
 JXCHCC—Bisque Chimney Kit  
 JXCHBB—Black Chimney Kit  
 JXDW1—7" round to 3-1/4" x 10" rectangular duct transition for rear wall discharge.

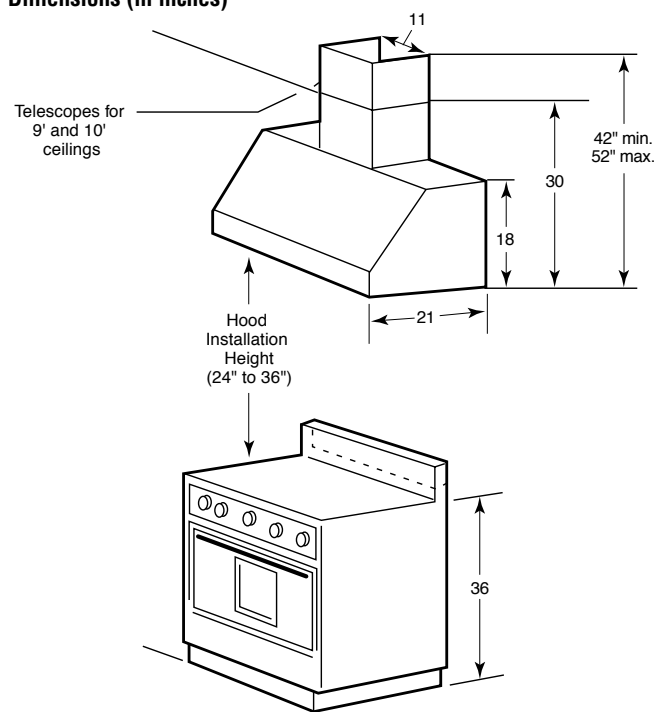


**Installation Information:** Before installing, consult installation instructions packed with product for current dimensional data.

#### Installed Above a Cooktop (Shown with Optional Chimney Kit) Dimensions (in inches)



#### Installed Above a Range (Shown with Optional Chimney Kit) Dimensions (in inches)



See page 160 for warranty information.



## Slide-Out Hoods

	GE Profile™							
	JV960SC	JV930SC	JV696S	JV695S	JV694S	JV396S	JV395S	JV394S
<b>Features</b>								
Variable-speed fan control	●	●	●	●	●	●	●	●
Auto heat sensor	●	●	●	●	●	●	●	●
Vertical exhaust (CFM)	300	300	300	300	300	300	300	300
Sones rating: Top exhaust	4.5	4.5	4.5	4.5	4.5	4.5	4.5	4.5
Removable grease filter*	●	●	●	●	●	●	●	●
Filter size (sq. in.)	147	147	147	147	147	147	147	147
Cooktop light	●	●	●	●	●	●	●	●
3-1/4" x 10" rectangular duct	●	●	●	●	●	●	●	●
<b>Appearance</b>								
Color appearance**	BA	BA	CC	WW	BB	CC	WW	BB
<b>Weights &amp; Dimensions</b>								
Width (in inches)	36	30	36	36	36	30	30	30
Approx. shipping weight (lbs.)	43	40	43	43	43	40	40	40
<b>Power/Ratings</b>								
Current rating Amps @ 120V	3.7	3.7	3.7	3.7	3.7	3.7	3.7	3.7

\*Has washable one-piece smoke/grease filter.  
\*\*WW = White on white, BB = Black on black, CC = Bisque on bisque, BA = Brushed Aluminum.

**Note:** These vented hoods include an installed damper.

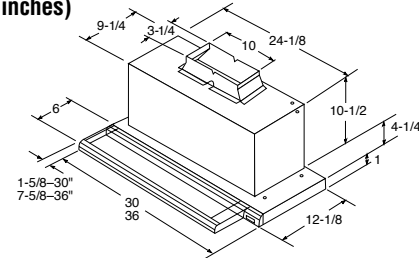
**Note:** The unit is ducted vertically. Horizontal ducting can be accomplished as shown.

**Note:** Remove glass visor from unit before installing hood in cabinet to protect visor from damage.

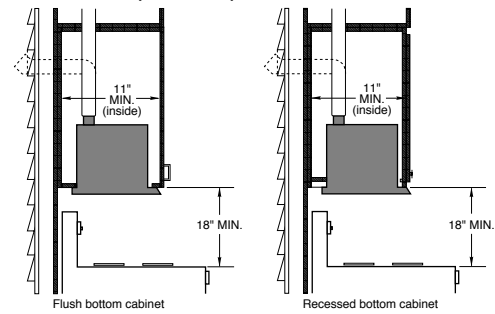
**Installation Information:** Before installing, consult Use & Care/installation instructions packed with product for current dimensional data.



### Installation Information (in inches)



### Dimensions (in inches)



## Telescopic Downdraft Systems

	GE Profile	
	JVB96SA	JVB93SA
<b>Features</b>		
Variable-speed fan control	●	●
Downdraft exhaust (CFM)	500	500
3-1/4" x 10" rectangular duct	●	●
Removable grease filters	●	●
<b>Appearance</b>		
Color appearance	Stainless	Stainless
<b>Weights &amp; Dimensions</b>		
Width (in inches)	36	30
Approx. shipping weight (lbs.)	62	60
<b>Power/Ratings</b>		
Current rating Amps @ 120V	4.0	4.0

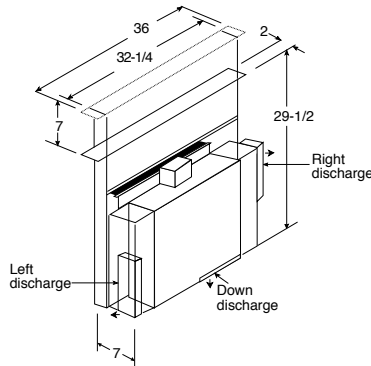
**Note:** Approved for use with GE Profile and GE® electric and sealed burner gas cooktops.

**Note:** Telescopic downdraft vents are not recommended to be installed with cooktops that are flush mounted.

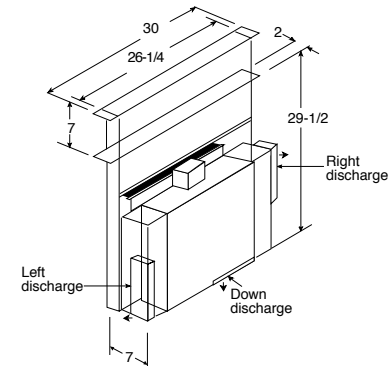
**Note:** The countertop must be at least 26" deep with a flat surface area of 23-1/2" or more, front to back. In addition, other clearances to the front edge of the countertop must be considered.

**Installation Information:** Before installing, consult installation instructions packed with product for current dimensional data.

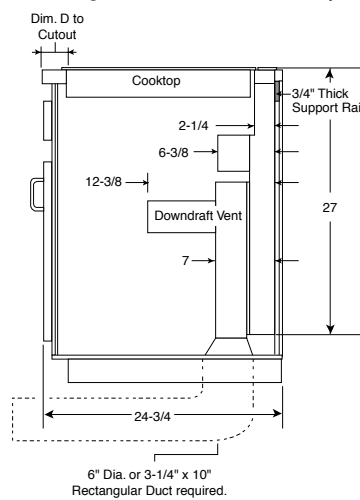
### Overall Dimensions (in inches) Model JVB96SA



### Model JVB93SA



### Venting Island to Outside Wall (in inches)

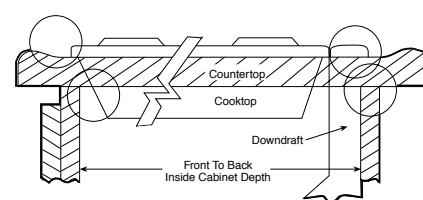


**Note:** Dimensions shown are for reference only. Before cutting out countertop, refer to instructions packed with **downdraft and cooktop**.

**Note:** Duct run not to exceed 100 equivalent feet.

**Note:** Installation in cabinets/countertops against the wall will not be possible in most applications.

### Counter Cutout Information



Pay special attention to the four areas of potential interference circled above. 2" of **FLAT** countertop is needed behind rear edge of cooktop to accommodate downdraft vent cover.

Approved for use with the following GE cooktops—36" and 30" Calrod® models, 36" and 30" radiant models, 30" solid disk models, 36" and 30" gas sealed burner models and 36" and 30" induction models. **Not approved for use with standard burner gas cooktops.**

See page 160 for warranty information.

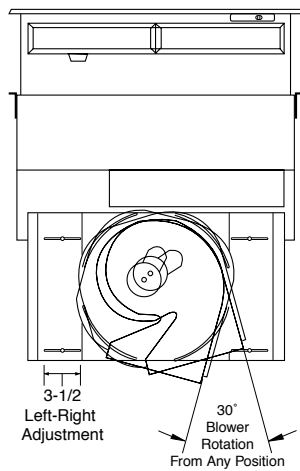
## Telescopic Downdraft Systems

	GE Profile	
	JVB67AWW JVB67ACC JVB67ABB	JVB37AWW JVB37ACC JVB37ABB
<b>Features</b>		
Upright variable-speed fan w/slide control	●	●
Separate remote raise/lower switch	●	●
Downdraft exhaust (CFM)	350	350
Optional blower mount capabilities	●	●
3-1/4" x 10" rectangular duct	●	●
Minimum 6" round duct capability	●	●
Removable grease filters	●	●
<b>Appearance</b>		
Color appearance*	WW	WW
	CC	CC
	BB	BB
Cover plate	White	White
	Bisque	Bisque
	Black	Black
Telescopic snorkel assembly	Black	Black
<b>Weights &amp; Dimensions</b>		
Width (in inches)	36	30
Approx. shipping weight (lbs.)	76	72
<b>Power/Ratings</b>		
Current rating Amps @ 120V	4.0	4.0

\*WW = White on white, CC = Bisque on bisque, BB = Black on black.

Note: Approved for use with GE Profile and GE electric and sealed burner gas cooktops.

### Blower Position



Note: Telescopic downdraft vents are not recommended to be installed with cooktops that are flush mounted.

Approved for use with the following GE Profile and GE cooktops—36" and 30" electric models, 36" and 30" gas sealed burner models and 36" and 30" induction models.

**Not approved for use with standard burner gas cooktops.**

Note: The countertop must be at least 26" deep with a flat surface area of 23-1/2" or more, front to back. In addition, other clearances to the front edge of the countertop must be considered.

Note: Dimensions shown are for reference only. Before cutting out countertop, refer to instructions packed with **downdraft and cooktop**.

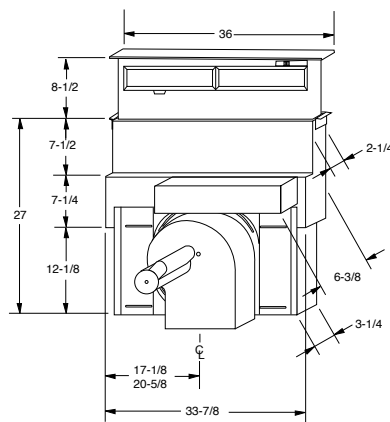
Note: Installation in cabinets/countertops against the wall will not be possible in most applications. Against the wall installations are limited to dimension requirements. Refer to installation instructions packed with product for further details.

**JXBC57 Outdoor Cover.** Optional accessory may be ordered for installation of motor and blower assembly on outside wall.

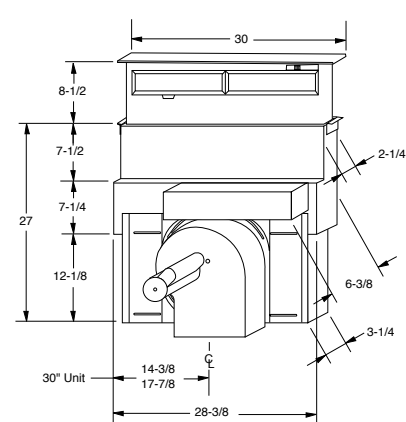
**JXRB57 Indoor Remote Accessory.** Optional accessory may be ordered for installation of motor and blower assembly in an indoor remote location.

**Installation Information:** Before installing, consult installation instructions packed with product for current dimensional data.

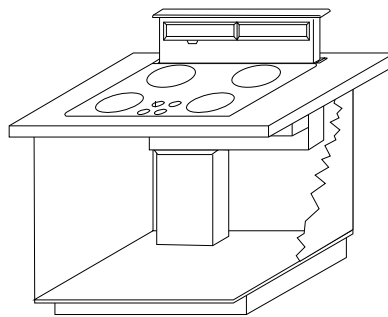
### Overall Dimensions (in inches) Model JVB67



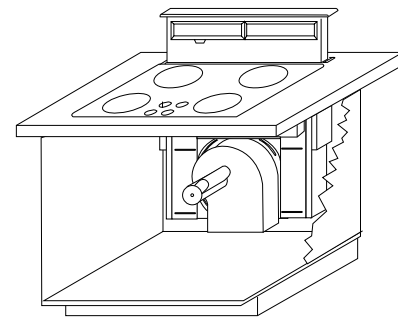
### Model JVB37



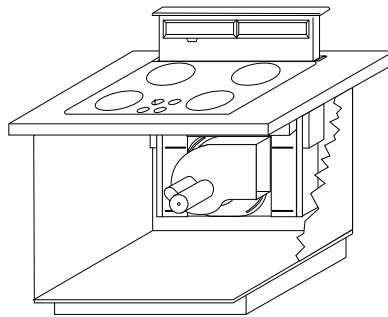
### Venting Options (Through the Floor)



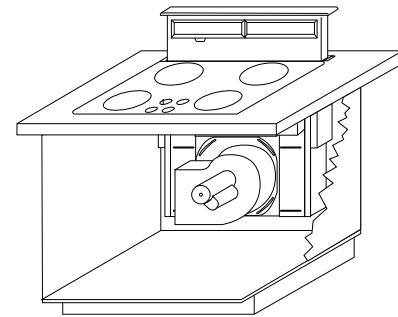
### In Cabinet Discharge (Down)



### In Cabinet Discharge (Right)



### In Cabinet Discharge (Left)



GEAppliances.com

Refrigeration

Cooking Products

Microwave Ovens

Dishwashers

Clothes Care

Air Conditioning

See page 160 for warranty information.

215

## Hoods

	GE Profile						GE				
	Width	High-Performance				Performance		Deluxe	Standard		
		30"	JV666C	JV665C	JV636C	JV635C	JV536C	JV535C	JV347X	JV327X	JV337X
	36"	JV666C	JV665C	JV636C	JV635C	JV536C	JV535C	JV347X	JV327X	JV337X	JN327X
<b>Features</b>											
Two-speed fan control						•	•		•	•	•
Three-speed fan control		With boost	With boost	With boost	With boost			•			
Vertical exhaust (CFM)		350	350	350	350	190	190	180	160	160	
Rear exhaust (CFM)		400	400	400	400	200	200	160		150	
Damper included (rectangular)		•	•	•	•	•	•	•		•	
Optional damper accessory (round)		JXDA23	JXDA23	JXDA23	JXDA23	JXDA23	JXDA23	JXDA22	JXDA22	JXDA22	
Sones rating:											
Top exhaust		4.0/7.0*	4.0/7.0*	4.0/7.0*	4.0/7.0*	4.0	4.0	8.0	8.0	8.0	
Rear exhaust		4.0/7.0*	4.0/7.0*	4.0/7.7*	4.0/7.7*	4.0	4.0	8.0		8.0	
Removable grease filters		2†	2†	2†	2†	2††	2††	Disposable 1-Pc. Filter†††	1†††	1†††	Disposable 1-Pc. Filter†††
Filter size (sq. in.)		207	207	171	171	171/207	171/207	90	90	90	90
Cooktop light(s)**		2 Halogen (50 watts)	2 Halogen (50 watts)	2 Halogen (50 watts)	2 Halogen (50 watts)	2 Halogen (50 watts)	2 Halogen (50 watts)	1	1	1	1
Night light position on light switch		•	•	•	•	•	•	•			
3-1/4" x 10" rectangular duct		•	•	•	•	•	•	Option		•	
7" round duct		•	•	•	•	•	•	Option	•		
Non-vented						•	•	Option			•
Silverstone underside coating		•	•	•	•						
<b>Appearance</b>											
Color appearance***		SS	WW/BB	SS	WW/BB	SS	WW/CC/BB	WW/CC/AA/BB	W/C/A	W/C/A	W/C/A
<b>Weights &amp; Dimensions</b>											
Approx. shipping weight (lbs.)		35	35	30	30	30	30	20	14	17	19
<b>Power/Ratings</b>											
Current rating amps @ 120V		2.5	2.5	2.5	2.5	1.4	1.4	2.5	2.5	2.5	2.5

\*Top exhaust soles rating when in boost mode.

\*\*Light bulbs not furnished.

\*\*\*SS = Stainless steel, WW = White on white, CC = Bisque on bisque, AA = Almond on almond, BB = Black on black, W = White, C = Bisque, A = Almond.

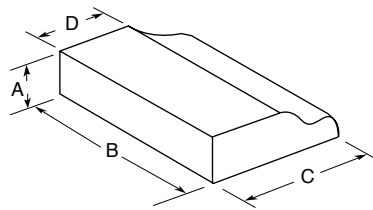
†WB02X10713 (30") or WB02X10710 (36") removable grease filter is available for additional cost. Call toll free 800.626.2002. (Models JV666/665 and JV636/635)

††WB02X10709 (30") or WB02X10706 (36") removable grease filter and WB02X10707 (30") or WB02X10708 (36") removable charcoal filter are available for additional cost. Call toll free 800.626.2002. (Models JV566/565 and JV536/535)

†††WB02X9381 replacement grease filter and WB02X10700 replacement charcoal filter are available for additional cost. Call toll free 800.626.2002. (Models JV347/327/337 and JN327)

### Dimensions (in inches)

Model	A	B	C	D
JV666/JV665	7-1/4	35-7/8	20	12
JV636/JV635	7-1/4	29-7/8	20	12
JV536/JV535	7-1/4	29-7/8	20	12
JV566/JV565	7-1/4	35-7/8	20	12
JV347	5-1/2	29-7/8	17-1/2	12
JV337	5-1/2	29-7/8	17-1/2	12
JV327	5-1/2	29-7/8	17-1/2	12
JN327	5-1/2	29-7/8	17-1/2	12



### JXHC1 Cord Kit

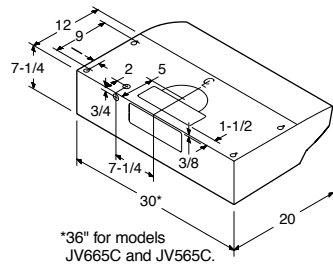
Allows a receptacle in the cabinet over the range to accommodate either an over-the-range microwave oven or a standard hood.

### Hood Dimensions (in inches)

#### 1 Models JV666C, JV665C, JV636C, JV635C, JV536C, JV535C, JV566C and JV565C

Exhaust outlet connects to 3-1/4" x 10" duct (vertically or horizontally) and 7" round (vertically). Includes rectangular damper and 7" round damper adapter.

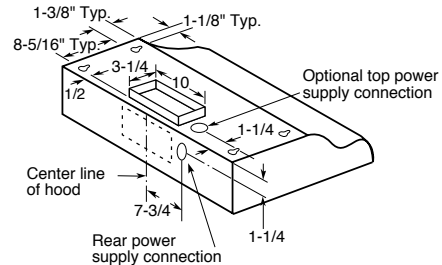
Round damper accessory, JXDA23 available at additional cost.



#### 2 Models JV347X\* and JV337X

\*JV347X—Refer to this drawing for rectangular exhaust option. Refer to drawing 3 for round exhaust option.

Exhaust outlet connects to 3-1/4" x 10" rectangular duct. Vent top or rear. Includes rectangular damper.

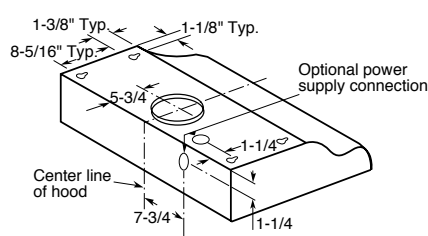


#### 3 Models JV347X\* and JV327X

\*JV347X—Refer to this drawing for round exhaust option. Refer to drawing 2 for rectangular exhaust option.

Exhaust outlet connects to 7" diameter duct. Vent top only. Round damper accessory, JXDA22, available at additional cost.

See page 160 for warranty information.

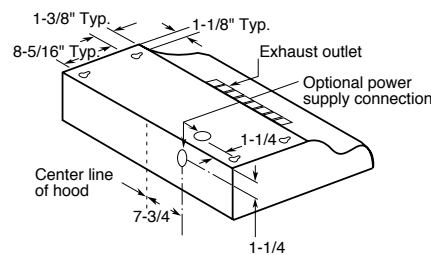


#### 4 Model JN327X



Listed by Underwriters Laboratories

**Installation Information:** Before installing, consult installation instructions packed with product for current dimensional data.





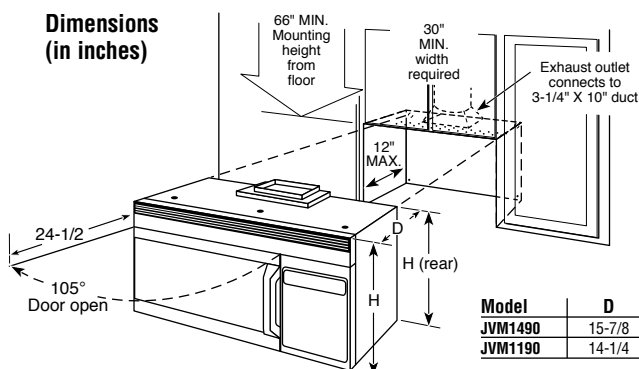
# Spacemaker Convection/Microwave Ovens

GEAppliances.com

	GE Profile™	
	JVM1490SD JVM1490WD JVM1490CD JVM1490BD	JVM1190SY JVM1190WY JVM1190BY
<b>Capacity</b>		
Oven cavity (cu. ft.)	1.4	1.1
<b>Features</b>		
Watts (IEC-705 test procedure)	900	825
Controls	Membrane/Dial	Electronic Touch
SmartControl system w/interactive display	●	●
Electronic scrolling digital display w/clock and AM/PM	2 Lines	1 Line
Variable scroll speed	●	●
Help pad	●	●
Concurrent programming	●	●
Display On/Off	●	●
Bilingual display (English/Spanish)	●	
Cavity lighting	Halogen	Incandescent
Cooktop lighting	Halogen	Incandescent
<b>Sensor controls</b>		
Cook	Chicken, Fish, Potato	
Beverage	●	●
Popcorn	●	●
Reheat	●	●
Vegetables (canned/fresh/frozen)	●	●
<b>Convection controls</b>		
Convection broil		Hi/Lo
Convection bake/Fast Bake	●/●	●/-
Combination roast		●
<b>Sensor combination</b>		
Combination bake		Chicken, Fish, Potato
Express Cook (1-6 minutes)	●	●
Instant On controls	●	●
Time cook	I & II	I & II
Add 30 seconds	●	●
Temp cook	●	●
Auto/Time Defrost	●/●	●/●
Fast Defrost	●	
Power levels	10	10
Delay start		●
Programmable night light	●	●
Timer On/Off	●	●
Reminder		●
Variable beeper volume control	●	●
Cooking complete reminder	●	●
Child lockout	●	●
Two-speed venting	●	●
<b>Appearance</b>		
Color appearance	Stainless steel White on white Bisque on bisque Black on black	Stainless steel White on white Black on black
	Black White Bisque Black	Black White Black
Case color		
Designer-style handle	●	●
<b>Weights &amp; Dimensions</b>		
WxHxD—JVM1490	Cavity	21-3/32 x 8-7/32 x 14-3/32
	Exterior	29-7/8 x 15-21/32 x 15-7/8
WxHxD—JVM1190	Cavity	18 x 8-1/16 x 12-1/2
	Exterior	29-15/16 x 15-1/8 x 14-1/4
Approx. shipping weight (lbs.)	98	98
<b>Power/Ratings</b>		
2450 Frequency (MHz)	●	●
Electrical input @ 120V	Watts	1800
	Amperage	15
<b>Accessories</b>		
Convection rack/Broil pan	●/-	●/●
<b>Warranty</b>		
Full one-year in home warranty*	●	●
Limited nine-year magnetron warranty* (10 years total)	●	●

\*See written warranty for details.

## Dimensions (in inches)



Model	D	H	H (rear)
JVM1490	15-7/8	15-21/32	16-19/32
JVM1190	14-1/4	15-1/8	15-1/2

## Ventilation Options

The Spacemaker convection/microwave and Spacemaker microwave ovens are designed for adaptation to the following three types of ventilation:

**Outside Exhaust** (Vertical—as shown above)

**Recirculating Exhaust** (Horizontal)

**Recirculating** (Non-vented ductless—see Filter Kit Drawing, order JX81, JX81A or JX81B)

Requires 120V grounded outlet. Electrical receptacle must be located in cabinet above Spacemaker microwave/convection and Spacemaker microwave ovens. No additional wiring, venting or cabinet rebuilding necessary in many cases. Complete detailed, easy-to-follow installation instructions and convenient full-size templates are packed with product.

**Important:** When installing these ovens over a range, allow minimum of 2" from bottom of microwave oven to top of range backguard to allow for removal of light covers.

## Optional Accessories (Available at additional cost)

### Filler Panel Kit

See below for part numbers.

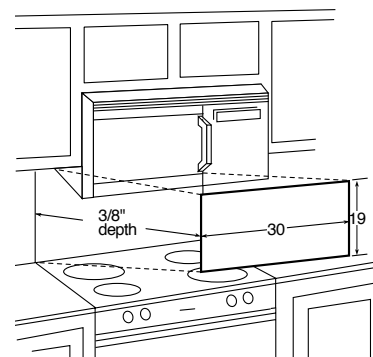
When replacing a 36" or 42" range hood, this kit fills in the additional width to provide a custom built-in appearance. For installation between cabinets only; not for end-of-cabinet installation. Each kit contains two 3"-wide filler panels. Two kits are needed for a 42" opening.

### Recirculating Charcoal Filter Kit

See below for part numbers.

To be used when the Spacemaker microwave oven cannot be vented to the outside. (Included with non-vented models.)

Model	Recirculating Charcoal Filter Kit	Filler Panel Kit	Decorative Panel Kit
JVM1190SY	JX81	JX41	JX22SS
JVM1190WY	JX81	JX40WH	JX22SS
JVM1190BY	JX81	JX41	JX22SS
JVM1490SD	JX81A	JX41	JX22SS
JVM1490WD	JX81A	JX40WH	JX22SS
JVM1490CD	JX81A	JX40CT	JX22SS
JVM1490BD	JX81A	JX41	JX22SS
JVM1440WD	JX81A	JX46WH	JX22SS
JVM1440BD	JX81A	JX46BL	JX22SS
JVM1630WB	JX81A	JX48	JX22SS
JVM1630BB	JX81A	JX48	JX22SS
JVM1640WB	JX81A	JX48WH	JX22SS
JVM1640AB	JX81A	JX48AL	JX22SS
JVM1640BB	JX81A	JX48BL	JX22SS
JVM1650SB	JX81A	JX48	JX22SS
JVM1650WB	JX81A	JX48WH	JX22SS
JVM1650CB	JX81A	JX48	JX22SS
JVM1650BB	JX81A	JX48BL	JX22SS
JVM1840WF	JX81B	JX52WH	JX22SS
JVM1840CF	JX81B	JX52CT	JX22SS
JVM1840BF	JX81B	JX52BL	JX22SS
JVM1850WF	JX81B	JX52WH	JX22SS
JVM1850CF	JX81B	JX52CT	JX22SS
JVM1850BF	JX81B	JX52BL	JX22SS
JVM1860SF	JX81B	JX52BL	JX22SS
JVM1860WF	JX81B	JX52WH	JX22SS
JVM1860CF	JX81B	JX52CT	JX22SS
JVM1860BF	JX81B	JX52BL	JX22SS
JVM3660SF	JX81B	-	-
JVM3660WF	JX81B	-	-
JVM3660CF	JX81B	-	-
JVM3660BF	JX81B	-	-



**JX22SS—Stainless Steel Decorative Panel Kit**  
When replacing a Hi/Low range with a Spacemaker microwave/convection oven or Spacemaker over a range model, this panel kit fills in the area between the microwave and range left by the Hi/Low model.



This information is not intended to be used for installing unit described. Before installing, consult installation instructions packed with product/kit for current dimensional data.

See page 160 for warranty information.

Refrigeration

Advantium™ Ovens

Microwave Ovens

Dishwashers

Clothes Care

Air Conditioning

# Spacemaker® Microwave Ovens

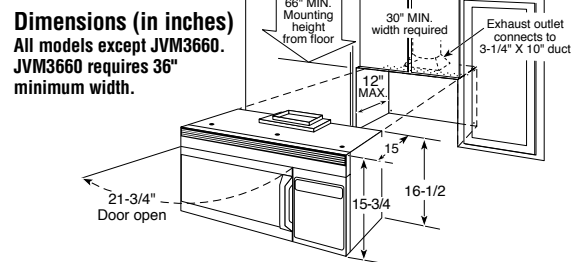
	GE Profile™		GE				
	JVM3660SF JVM3660WF JVM3660CF JVM3660BF	JVM1860SF JVM1861SF* JVM1860WF JVM1860CF JVM1860BF	JVM1850WF JVM1851WF* JVM1850CF JVM1851CF* JVM1850BF JVM1851BF*	JVM1840WF JVM1840CF JVM1840BF	JVM1650SB JVM1650WB JVM1650CB JVM1650BB	JVM1640WB JVM1640AB JVM1640BB	JVM1440WD JVM1440BD
<b>Capacity</b>							
Oven cavity (cu. ft.)	1.8	1.8	1.8	1.8	1.6	1.6	1.4
<b>Features</b>							
Watts (IEC-705 test procedure)	1100	1100	1100	1100	1000	1000	950
Electronic touch controls	•	•	•	•	•	•	•
SmartControl system w/interactive display	•	•	•	•	•	•	•
Scrolling display	2 Line	2 Line	2 Line	2 Line	1 Line	1 Line	1 Line
Clock and AM/PM pad	•	•	•	•	•	•	•
Variable scroll speed	•	•	•	•	•	•	•
Help pad	•	•	•	•	•	•	•
Concurrent programming	•	•	•	•	•	•	•
Display On/Off	•	•	•	•	•	•	•
Bilingual display (English/Spanish)	•	•	•	•	•	•	•
Sensor controls							
Beverage	•	•	•		•		
Chicken	•	•					
Fish	•	•					
Meats	•	•					
Popcorn	•	•	•		•		
Potatoes	•	•	•		•		
Reheat	•	•	•		•		
Vegetables	•	•	•		•		
Custom pads	•	•	•	•			
Convenience controls							
Beverage				•		•	•
Cook				•	•	•	•
Popcorn				•		•	•
Reheat				•		•	•
Snacks				•		•	•
Express cook (1-6 min.)	•	•	•	•	•	•	•
Instant On controls	•	•	•	•	•	•	•
Time cook	I & II	I & II	I & II	I & II	I & II	I & II	I & II
Add 30 seconds	•	•	•	•	•	•	•
Auto/Time Defrost	•/•	•/•	•/•	•/•	•/•	•/•	•/•
Quick Defrost	•	•	•	•	•	•	•
Power levels	10	10	10	10	10	10	10
Delay Start	•	•	•	•	•	•	•
Reminder	•	•	•	•	•	•	•
CircuWave™ cooking system	1100	1100	1100	1100	•	•	•
Rack(s)	1	2	1	1	1	1	1
Turntable	Recessed	Recessed	Recessed	Recessed	•	•	•
Turntable On/Off	•	•	•	•	•	•	•
Halogen interior lighting	•	•	•				
Halogen cooktop lighting	•	•	•				
Full-view cooktop lighting	•	•	•	•	•	•	•
Night light	•	•	•	•	•	•	•
Programmable night light	•	•	•	•	•	•	•
Timer On/Off	•	•	•	•	•	•	•
Beeper volume control	•	•	•	•	•	•	•
Cooking complete reminder	•	•	•	•	•	•	•
Child lockout	•	•	•	•	•	•	•
300-CFM exhaust fan	3-Speed plus Boost	3-Speed plus Boost	3-Speed plus Boost	3-Speed plus Boost	2-Speed	2-Speed	2-Speed
Easy mount installation	•	•	•	•	•	•	•
<b>Appearance</b>							
Color appearance**	SS/WW/CC/BB	SS/WW/CC/BB	WW/CC/BB	WW/CC/BB	SS/WW/CC/BB	WW/AA/BB	WW/BB
Case color	Black/White/ Bisque/Black	Black/White/ Bisque/Black	White/ Bisque/Black	White/ Bisque/Black	Black/White/ Bisque/Black	White/Almond/Black	White/Black
Designer-style handle	•	•	•	•	•	•	•
Big view window	Bright view	Bright view	•	•	•	•	•
<b>Weights &amp; Dimensions</b>							
WxHxD	← 21-29/32 x 9-1/2 x 14-19/32 →		← 20-1/4 x 9-9/32 x 14-13/32 →		†††		
(inches)	Exterior †		29-7/8 x 16-15/32 (rear) x 15-1/16		†††		
Approx. shipping weight (lbs.)	69	67	68	68	67	67	67
<b>Power/Ratings</b>							
2450 Frequency (MHz)	•	•	•	•	•	•	•
Electrical input	1480	1480	1480	1480	1480	1480	1480
@ 120V	Amperage	15	15	15	15	15	15
<b>Warranty</b>							
Full one-year in-home warranty‡	•	•	•	•	•	•	•
Limited nine-year magnetron warranty‡ (10 years total)	•	•	•	•	•	•	•

\*Non-vented model.  
 \*\*SS = Stainless steel, WW = White on white, CC = Bisque, AA = Almond on almond, BB = Black on black.  
 †Exterior dimensions: depth excludes handle.  
 ††Model JVM3660—Exterior: 35-7/8 x 16-13/32 (rear) x 15.  
 †††Model JVM1440—Cavity: 19-5/16 x 9-5/16 x 13-3/16 Exterior: 29-7/8 x 16-1/2 (rear) x 14-15/16.  
 ‡See warranty for details.

**NOTE:** Convenience popcorn pad designed for use with 3 package sizes—3.5, 3.0 and 1.75 oz.

This information is not intended to be used for installing unit described. Before installing, consult installation instructions packed with product/kit for current dimensional data.

See page 160 for warranty information.



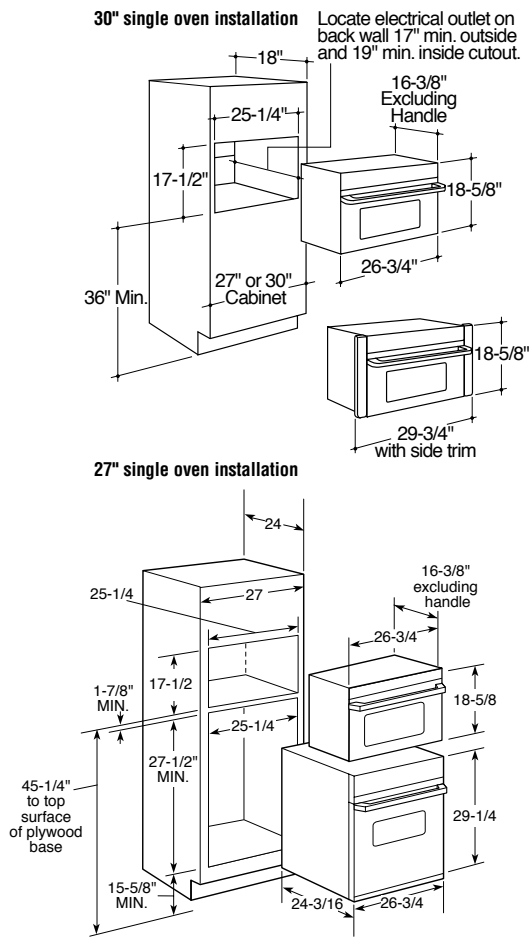


## Convection/Microwave Wall Ovens

	GE Profile		
	JEB1095SB	JEB1095WB JEB1095CB	JEB1095BB
<b>Capacity</b>			
Oven cavity (cu. ft.)	1.0	1.0	1.0
<b>Features</b>			
Watts (IEC-705 test procedure)	800	800	800
Electronic touch controls	•	•	•
Electronic digital display w/clock	•	•	•
Sensor controls			
Beverage	•	•	•
Cook	•	•	•
Popcorn	•	•	•
Reheat	•	•	•
Convection cook	•	•	•
Combination cook	•	•	•
Combination roast (probe)	•	•	•
Express cook	•	•	•
Instant On controls	•	•	•
Time cook	I & II	I & II	I & II
Add 30 seconds	•	•	•
Temp Cook/Hold (probe)	•	•	•
Auto Defrost	•	•	•
Time Defrost	•	•	•
Power levels	10	10	10
Delay/Start reminder	•	•	•
Minute pad	•	•	•
Program cooking	5-Stage	5-Stage	5-Stage
Kitchen timer	99-M./99-S. Digital	99-M./99-S. Digital	99-M./99-S. Digital
Variable beeper volume	•	•	•
Cooking complete reminder	•	•	•
<b>Appearance</b>			
Color appearance*	SS	WW/CC	BB
Case color	Black	White/Bisque	Black
Designer-style handle	•	•	•
<b>Weights &amp; Dimensions</b>			
	Cavity	18x8-3/16x11-1/2	
WxHxD (in inches)	Exterior†	26-3/4x18-5/8x16-3/8	
Approx. shipping weight (lbs.)		84	84
<b>Power/Ratings</b>			
2450 Frequency (MHz)		•	•
	Watts	1450	1450
Electrical input @ 120V	Amperage	13.0	13.0
<b>Accessories</b>			
Deluxe cookbook		•	•
Wire oven rack		•	•
30" trim kit (included)		•	•
<b>Warranty</b>			
Full one-year in-home warranty**		•	•
Limited nine-year magnetron warranty** (10 years total)		•	•

\*SS = Stainless steel, WW = White on white, CC = Bisque on bisque, BB = Black on black.  
 \*\*See written warranty for details.  
 †Exterior dimensions: depth excludes handle.

### Cutout and Dimensional Information (in inches)



This information is not intended to be used for installing unit described. Before installing, consult installation instructions packed with product/kit for current dimensional data.



Listed by Underwriters Laboratories

Refrigeration

Advantium™ Ovens

Microwave Ovens

Dishwashers

Clothes Care

Air Conditioning



## Microwave Ovens

	GE Profile™			GE®					
	Convection	Extra-large		Full-size		Family-size		Mid-size	
	JE1590SC JE1590WC JE1590CC JE1590BC	JE1860SB JE1860WB JE1860CB JE1860GB	JE1840WB JE1840GB	JE1660WB JE1660GB	JE1640WB JE1640AB JE1640GB	JE1460WF JE1460BF	JE1440WF JE1440BF	JE1160WD JE1160BD	JE1140WD JE1140BD
<b>Capacity</b>									
Oven cavity (cu. ft.)	1.5	1.8	1.8	1.6	1.6	1.4	1.4	1.1	1.1
<b>Features</b>									
Watts (IEC-705 Test Procedure)	1000	1100	1100	1100	1100	1150	1150	1100	1100
Electronic touch controls	Tactile switches/dial	●	●	●	●	●	●	●	●
Scrolling display with Help Pad	2 Line	●		●		●	●	Help Only	
Demo mode		●		●		●	●		
Electronic digital display w/clock		●	●	●	●	●	●	●	●
Display On/Off		●		●		●	●	●	
Convection Pads	Cook Comb. Cook	● ●							
Sensor controls	Popcorn Beverage Reheat Vegetable Potato Chicken/Fish Rice Soup Frozen Dinner	Instant On Instant On Instant On ● ● ● ● ● ● ●	● ● ● ● ● ● ● ● ●	● ● ● ● ● ● ● ● ●	● ● ● ● ● ● ● ● ●	● ● ● ● ● ● ● ● ●	● ● ● ● ● ● ● ● ●	● ● ● ● ● ● ● ● ●	● ● ● ● ● ● ● ● ●
Convenience controls	Popcorn Beverage Reheat Snacks Cook Frozen Pizza	● ● ● ● ● ●	● ● ● ● ● ●	● ● ● ● ● ●	● ● ● ● ● ●	● ● ● ● ● ●	● ● ● ● ● ●	● ● ● ● ● ●	● ● ● ● ● ●
Express Cook		●	●	●	●	●	●	●	●
Instant On controls	●	●	●	●	●	●	●	●	●
Time cook	I & II	I & II	I & II	I & II	I & II	I & II	I & II	I & II	I & II
Add 30 seconds	●	●	●	●	●	●	●	●	●
Auto/Time Defrost	●	●	●	●	●	●	●	●	●
Power levels	10	10	10	10	10	10	10	10	10
Turntable	Recessed	●	●	●	●	Recessed	Recessed	●	●
Turntable On/Off		●	●	●	●	●	●	●	●
Kitchen timer	Timer On/Off	Timer On/Off	99-M./99-S.	Timer On/Off	99-M./99-S.	Timer On/Off	Timer On/Off	Timer On/Off	99-M./99-S.
Delay Start/Reminder		●	●	●	●	●	●	●	●
Sound On/Off		●	●	●	●	●	●	●	●
Variable beeper control		●	●	●	●	●	●	●	●
Cooking complete reminder	●	●	●	●	●	●	●	●	●
Child lockout	●	●	●	●	●	●	●	●	●
<b>Appearance</b>									
Color appearance	Stainless steel White on white Bisque on bisque Black on black	Stainless steel White on white Bisque on bisque Black on greystone	White on white Black on greystone	White on white Black on greystone	White on white Almond on almond Black on greystone	White on white Black on black	White on white Black on black	White on white Black on black	White on white Black on black
Case color	Black White Bisque Black	Greystone White Bisque Greystone	White Greystone	White Greystone	White Almond Greystone	White Black	White Black	White Black	White Black
Door color	Stainless steel White Bisque Black	Stainless steel White Bisque Black	White Black	White Black	White Almond Black	White Black	White Black	White Black	White Black
<b>Weights &amp; Dimensions</b>									
Approx. shipping weight (lbs.)	59	48	48	50	50	44	44	37	37
Cavity	15-14 x 10-7/8 x 15-1/4	17-1/16 x 9-3/4 x 18-3/8	17-1/16 x 10-3/8 x 18-3/8	16-1/2 x 9-23/32 x 16-27/32		14-13/16 x 9-7/8 x 16	14-13/16 x 9-7/8 x 16	13-15/16 x 9 x 16-11/16	
WxHxD (in inches)	Exterior † 22-5/8 x 14-7/8 x 19-7/8	23-7/8 x 13-1/2 x 19-1/4		23-21/32 x 13-5/16 x 18-5/16		21-7/8 x 12-5/8 x 17-1/4	21-7/8 x 12-5/8 x 17-1/4	21-7/8 x 12 x 16	
<b>Power/Ratings</b>									
2450 Frequency (MHz)	●	●	●	●	●	●	●	●	●
Electric Watts	1500	1550	1550	1500	1500	1550	1550	1500	1500
input @ 120V Amperage	15	13.6	13.6	13.0	13.0	13.3	13.3	13.0	13.0
<b>Accessories</b>									
Cooking guide label						●	●	●	●
Optional built-in kit	JX1530CSC/ JX1527CSC JX1530CSC/ JX1527CSC JX1530CSC/ JX1527CSC JX1530CSC/ JX1527CSC	JX1830SB/ JX1827SB JX1830WB/ JX1827WB JX1830CB/ JX1827CB JX1830BB/ JX1827BB	JX1830WB/ JX1827WB JX1830BB/ JX1827BB	JX1530MWW/ JX1527MWW/ JX1530MBW/ JX1527MBW	JX1530MWW/ JX1527MWW/ JX1530MAW/ JX1527MAW/ JX1530MBW/ JX1527MBW				
<b>Warranty</b>									
Full one-year warranty*	In-Home	In-Home	In-Home	In-Home	In-Home	Carry-In	Carry-In	Carry-In	Carry-In
Limited nine-year magnetron warranty* (10 years total)	●	●	●	●	●	●	●	●	●

\*See written warranty for details.

†Exterior dimensions: height includes feet, depth does not include handle.

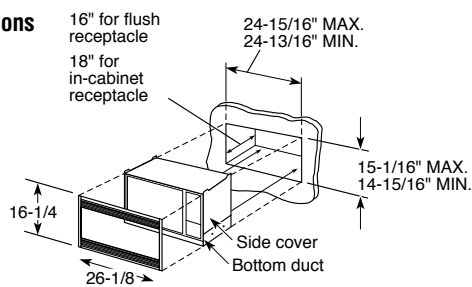
See pages 160-161 for warranty information.

## Spacemaker II™ Microwave Ovens

	GE Profile		GE	
	JEM31SF	JEM31WF JEM31CF JEM31BF	JEM25WF	JEM25BF
<b>Capacity</b>				
Oven cavity (cu. ft.)	1.0	1.0	1.0	1.0
<b>Features</b>				
Watts (IEC-705 Test Procedure)	800	800	800	800
Electronic touch controls	●	●	●	●
Scrolling display with help	●	●	●	●
Electronic digital display w/clock	●	●	●	●
Beverage	Sensor	Sensor	●	●
Cook	Chicken/Fish Potato Vegetable Sensor	Chicken/Fish Potato Vegetable Sensor	●	●
Popcorn	Sensor	Sensor	●	●
Reheat	Sensor	Sensor	●	●
Snacks	●	●	●	●
Express Cook	●	●	●	●
Instant On controls	●	●	●	●
Time cook I & II	●	●	●	●
Add 30 seconds	●	●	●	●
Auto/Time Defrost	●	●	●	●
Power levels	10	10	10	10
Recessed turntable	●	●	●	●
Kitchen timer	Timer On/Off	Timer On/Off	99-M./99-S.	99-M./99-S.
Beeper volume	●	●	●	●
Sound On/Off	●	●	●	●
Cooking complete reminder	●	●	●	●
Delay Start/Reminder	●	●	●	●
Child lockout	●	●	●	●
<b>Appearance</b>				
Color appearance	Stainless Steel	White on white Bisque on bisque Black on black	White on white	Black on black
Door color	Stainless Steel	White Bisque Black	White	Black
Case color	Greystone	White Bisque Black	White	Black
<b>Weights &amp; Dimensions</b>				
Approx. shipping weight (lbs.)	40	40	40	40
Cavity	16-23/32 x 8-1/16 x 12-15/32			
WxHxD (inches) Exterior†	23-25/32 x 11-11/64 x 12-55/64			
<b>Power/Ratings</b>				
2450 Frequency (MHz)	●	●	●	●
Electrical input @ 120V	Watts 1300	Watts 1300	Watts 1300	Watts 1300
	Amperage 11.5	Amperage 11.5	Amperage 11.5	Amperage 11.5
<b>Accessories</b>				
Cooking guide label	●	●	●	●
Hanging kit (Pub. No. 4-A019)*	Optional	Optional	Optional	Optional
Optional built-in kit	JX827SS	JX827WN/CD/BN	JX827WN	JX827BN/SS
<b>Warranty</b>				
Full one-year warranty**	Carry-In	Carry-In	Carry-In	Carry-In
Limited nine-year magnetron warranty** (10 years total)	●	●	●	●

\*Pub. No. 4-A019 is available at additional cost.  
\*\*See written warranty for details.  
†Exterior dimensions: height includes feet, depth does not include handle.

### Cutout Dimensions (in inches)



### Built-In Trim Kit For 1.0 Cu. Ft. Microwave Ovens

For a custom built-in appearance, this kit allows built-in installation of the Spacemaker II microwave oven into a wall or cabinet alone, and is U.L.-approved for installation over a GE single electric wall oven. This kit should not be installed over a gas wall oven.

### Trim Kits for Models JEM31 and JEM25

JX827SS—Stainless Steel, JX827WN—White, JX827CD—Bisque, JX827BN—Black

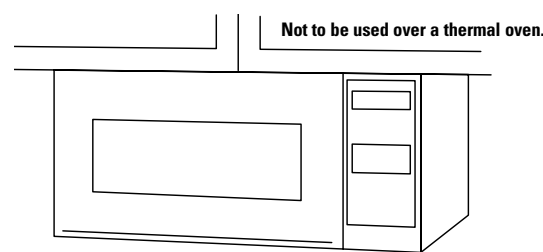
This information is not intended to be used for installing unit described. Before installing, consult installation instructions packed with product/kit for current dimensional data.

## Compact Microwave Ovens

	GE			
	JE740WY JE740GY	JES834WD	JE710BA	JE620WF JE620BF
<b>Capacity</b>				
Oven cavity (cu. ft.)	.7	.8	.7	.6
<b>Features</b>				
Watts (IEC-705 Test Procedure)	700	800	600	600
Electronic touch controls	●	●	●	●
Electronic digital display w/clock (LED)	●	●	●	●
Mechanical dial	●	●	●	●
Beverage pad	●	●	●	●
Cook pad	●	●	●	●
Popcorn pad	●	●	●	●
Reheat pad	●	●	●	●
Snacks pad	●	●	●	●
Express Cook	●	●	●	●
Instant On controls	●	●	●	●
Time cook	I & II	I & II	15 Min.	●
Add 30 seconds	●	●	●	●
Auto/Time Defrost	●	●	●	-/●
Power levels	10	10	1	10
Turntable	●	●	●	●
Kitchen timer	99-M./99-S.	●	●	●
Delay Start/Reminder	●	●/-	●	●
Sound On/Off	●	●	●	●
Cooking complete reminder	●	●	●	●
Child lockout	●	●	●	●
<b>Appearance</b>				
Color appearance*	WW BB	WW	BB	WW BB
Door color	White/Black	White	Black	White/Black
Case color	White/ Greystone	White	Black	White/Black
<b>Weights &amp; Dimensions</b>				
Approx. shipping weight (lbs.)	33	39	29	29
Cavity	12-1/16 x 7-11/16 x 12-1/16	13-25/32 x 8-15/32 x 13	11-7/8 x 7-5/8 x 12-1/2	11-3/32 x 6-11/16 x 11-7/32
WxHxD (inches) Exterior**	19-1/4 x 10-13/16 x 13-9/16	20 x 12 x 14-1/2	19 x 11 x 12-7/8	18-5/32 x 9-19/32 x 12-11/16
<b>Power/Ratings</b>				
2450 Frequency (MHz)	●	●	●	●
Electrical input @ 120V	Watts 1150	Watts 1300	Watts 910	Watts 950
	Amperage 10.5	Amperage 11.5	Amperage 8.5	Amperage 8.5
<b>Accessory</b>				
Hanging kit (Pub. No. 4-A019)†	Optional	●	Optional	Optional
<b>Warranty</b>				
Full one-year warranty††	Carry-In	Carry-In	Carry-In	Carry-In
Four-year magnetron warranty†† (Five years total)	Nine-Year (10 years total)	●	●	●

\*WW = White on white, BB = Black on black.  
\*\*Exterior dimensions: height includes feet.  
†Pub. No. 4-A019 is available at additional cost.  
††See written warranty for details.

### Undercabinet Mounting Kit Pub. No. 4-A019 For Spacemaker II Microwave Oven Models (Available at additional cost)



### Undercabinet Installation

Install Spacemaker II microwave ovens in just a few easy steps with the mounting template, which provides all the necessary measurements.\* These microwave ovens can be installed on practically any wood or metal cabinets.

\*Installation may vary depending on cabinets.

**Note:** 120V, 60-cycle, grounded power receptacle location optional on back within cabinet opening.

See pages 160-161 for warranty information.

## Microwave Oven Trim Kits

### 30" Deluxe Trim Kit For 1.8 Cu. Ft. Microwave Ovens

This trim kit allows for built-in installation of the 1.8 microwave oven in a wall or cabinet alone, or over a GE 30" single electric wall oven.

#### 30" Deluxe Trim Kits for Models JE1860 and JE1840

JX1830SB—Stainless Steel  
JX1830WB—White  
JX1830CB—Bisque  
JX1830BB—Black

Model	"A"	30" Deluxe Trim Kit
JE1860SB	29-3/4"	JX1830SB
JE1860WB	29-3/4"	JX1830WB
JE1860CB	29-3/4"	JX1830CB
JE1860GB	29-3/4"	JX1830BB
JE1840WB	29-3/4"	JX1830WB
JE1840GB	29-3/4"	JX1830BB

### 27" Deluxe Trim Kit For 1.8 Cu. Ft. Microwave Ovens

The 27" deluxe trim kit allows a 1.8 microwave oven to be built into a wall or cabinet alone, or over a GE 27" single electric wall oven for a complete one-piece, built-in, integrated appearance.

#### 27" Deluxe Trim Kits for Models JE1860 and JE1840

JX1827SB—Stainless Steel  
JX1827WB—White  
JX1827CB—Bisque  
JX1827BB—Black

Model	"A"	27" Deluxe Trim Kit
JE1860SB	26-7/8"	JX1827SB
JE1860WB	26-7/8"	JX1827WB
JE1860CB	26-7/8"	JX1827CB
JE1860GB	26-7/8"	JX1827BB
JE1840WB	26-7/8"	JX1827WB
JE1840GB	26-7/8"	JX1827BB

### 30" Deluxe Trim Kit For 1.6 Cu. Ft. Microwave Ovens

This trim kit allows for built-in installation of the 1.6 microwave oven in a wall or cabinet alone, or over a GE 30" single electric wall oven.

#### 30" Deluxe Trim Kits for Models JE1660 and JE1640

JX1530MWW—White  
JX1530MAW—Almond  
JX1530MBW—Black

Model	"A"	30" Deluxe Trim Kit
JE1660WB	29-3/4"	JX1530MWW
JE1660GB	29-3/4"	JX1530MBW
JE1640WB	29-3/4"	JX1530MWW
JE1640AB	29-3/4"	JX1530MAW
JE1640GB	29-3/4"	JX1530MBW

### 27" Deluxe Trim Kit For 1.6 Cu. Ft. Microwave Ovens

The 27" deluxe trim kit allows a 1.6 countertop microwave oven to be built into a wall or cabinet alone, or over a GE 27" single electric wall oven for a complete one-piece, built-in, integrated appearance.

#### 27" Deluxe Trim Kits for Models JE1660 and JE1640

JX1527MWW—White  
JX1527MAW—Almond  
JX1527MBW—Black

Model	"A"	27" Deluxe Trim Kit
JE1660WB	26-3/4"	JX1527MWW
JE1660GB	26-3/4"	JX1527MBW
JE1640WB	26-3/4"	JX1527MWW
JE1640AB	26-3/4"	JX1527MAW
JE1640GB	26-3/4"	JX1527MBW

### Deluxe Trim Kits For 1.5 Cu. Ft. GE Profile Microwave Ovens

Built-in trim kits allow installation in a wall, cabinet alone, or over a GE 30" or 27" single electric wall oven. Use a convection wall oven under these convection microwave ovens for a complete convection cooking center.

#### 30" Deluxe Trim Kits for Model JE1590

JX1530CSC—Stainless  
JX1530CWC—White  
JX1530CCC—Bisque  
JX1530CBC—Black

Model	"A"	30" Deluxe Trim Kit
JE1590SC	29-3/4"	JX1530CSC
JE1590WC	29-3/4"	JX1530CWC
JE1590CC	29-3/4"	JX1530CCC
JE1590BC	29-3/4"	JX1530CBC

#### 27" Deluxe Trim Kits for Model JE1590

JX1527CSC—Stainless  
JX1527CWC—White  
JX1527CCC—Bisque  
JX1527CBC—Black

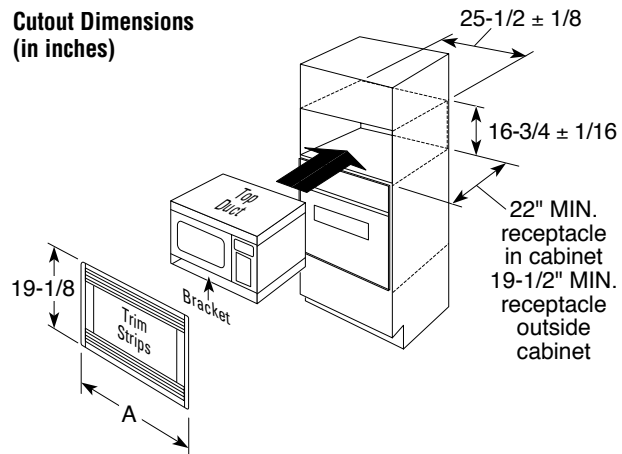
Model	"A"	27" Deluxe Trim Kit
JE1590SC	26-3/4"	JX1527CSC
JE1590WC	26-3/4"	JX1527CWC
JE1590CC	26-3/4"	JX1527CCC
JE1590BC	26-3/4"	JX1527CBC

This information is not intended to be used for installing unit described. Before installing, consult installation instructions packed with product/kit for current dimensional data.

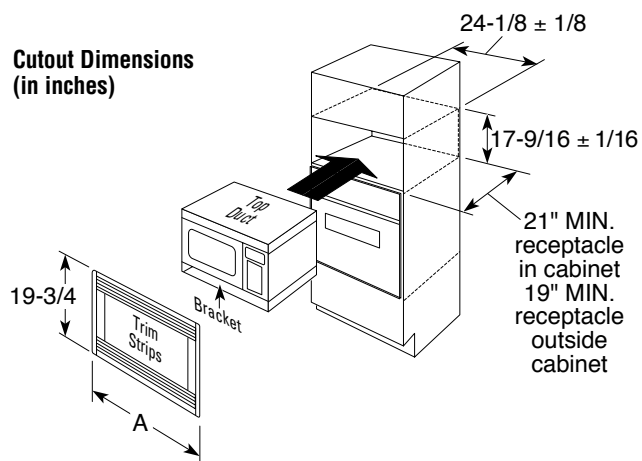
See pages 160-161 for warranty information.

222

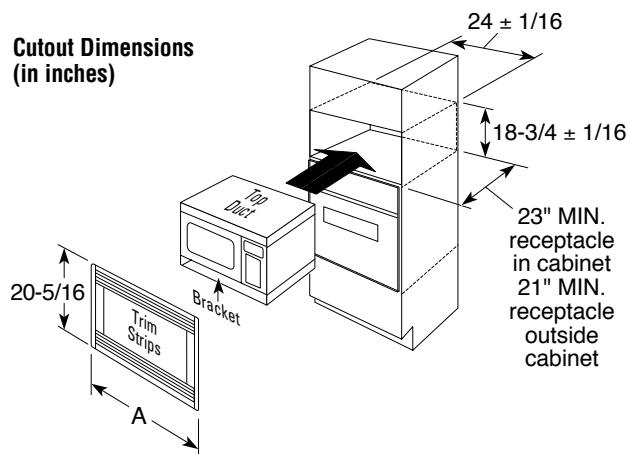
### Cutout Dimensions (in inches)



### Cutout Dimensions (in inches)



### Cutout Dimensions (in inches)



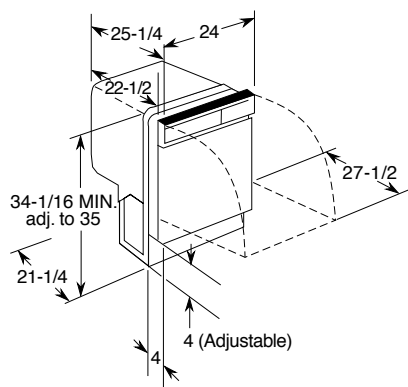
# GE Profile™ Built-In Dishwashers

GEAppliances.com

Features	GE Profile			
	ENERGY STAR® PDW7880GSS	ENERGY STAR PDW7800GWW PDW7800GCC PDW7800GBB	ENERGY STAR PDW7700GWW PDW7700GCC PDW7700GBB	ENERGY STAR PDW7300GWW PDW7300GCC PDW7300GBB
Front appearance	Contoured door	Contoured door	Flat door	Contoured door
Upscale flush design	●	●	●	●
Long door design	●	●	●	●
Wash system	ExtraClean™	ExtraClean	ExtraClean	ExtraClean
Wash arms	3	3	3	3
Wash levels	6-direct feed	6-direct feed	6-direct feed	6-direct feed
Water filtration	100% triple with ExtraFine™ filter	100% triple with ExtraFine filter	100% triple with ExtraFine filter	100% triple with ExtraFine filter
Dual pumps and motors	●	●	●	●
Hard food disposer	Piranha™	Piranha	Piranha	Piranha
Sensor	ExtraClean	ExtraClean	ExtraClean	ExtraClean
Automatic temperature control	●	●	●	●
Electronic controls	Light-touch	Light-touch	Light-touch	Light-touch
Cycle progress indicators	Countdown display 6 status lights	Countdown display 6 status lights	Countdown display 6 status lights	6 status lights
Touchpads	12	12	12	11
Cycles/Options	Variable*	Variable*	Variable*	Variable*
Last cycle memory	●	●	●	●
Cycles/Selections				
Anti-bacteria (NSF**)	●	●	●	●
Cookware	●	●	●	●
Normal wash	●	●	●	●
China/Crystal	●	●	●	●
Glasses cycle	●	●	●	●
SpeedCycle™ (wash & dry)	●	●	●	●
Rinse only	●	●	●	●
Enhancements				
Delay Start option	1-9-hour	1-9-hour	1-9-hour	2/4/8-hour
Hi-Temp Wash	Added heat	Added heat	Added heat	Added heat
Hi-Temp Rinse	Auto w/added heat	Auto w/added heat	Auto w/added heat	Auto w/added heat
PreWash option	●	●	●	●
Heated Dry	●	●	●	●
HotStart™	Automatic	Automatic	Automatic	Automatic
Child lock option	●	●	●	●
Racking				
Racking system	Tall-Over-Tall™	Tall-Over-Tall	Tall-Over-Tall	Tall-Over-Tall
Upper rack w/CleanTip tines	Nylon deep tiered	Nylon deep tiered	Nylon deep tiered	Nylon deep tiered
Lower rack w/CleanTip tines	Nylon towerless	Nylon towerless	Nylon towerless	Nylon towerless
Fold-down tine flexibility	4 upper with 2 multi-position/ 4 lower	4 upper with 2 multi-position/ 4 lower	4 upper with 2 multi-position/ 4 lower	2 upper with 1 multi-position/ 2 lower
Utility shelves	4 w/StemSafe upper, ExtraShelf lower	4 w/StemSafe upper, ExtraShelf lower	4 w/StemSafe upper, ExtraShelf lower	2 w/StemSafe upper
Silverware basket	Super capacity 3-piece	Super capacity 3-piece	Super capacity 3-piece	Super capacity 3-piece
Hard countertop installation	Ready	Ready	Ready	Ready
Calrod® heater	Multi-wattage	Multi-wattage	Multi-wattage	Multi-wattage
Rinse aid dispenser	w/Indicator and adjustment	w/Indicator and adjustment	w/Indicator and adjustment	w/Indicator and adjustment
Latch	Squeeze	Squeeze	Squeeze	Squeeze
<b>Quiet</b>				
Sound insulation package	QuietPower IV	QuietPower IV	QuietPower IV	QuietPower IV
Tube insulation	Thinstall™ w/mastic	Thinstall w/mastic	Thinstall w/mastic	Thinstall w/mastic
Door insulation and mastic	●	●	●	●
QuietPower™ motor	●	●	●	●
ActiveVent II system	●	●	●	●
Tube collar trim	●	●	●	●
Electronic control system	●	●	●	●
Quiet water valve	●	●	●	●
PermaTuf® tub and door liner	●	●	●	●
<b>Appearance</b>				
Colors available***	SS	WW, CC, BB	WW, CC, BB	WW, CC, BB
<b>Weights &amp; Dimensions</b>				
Approx. shipping weight (lbs.)	97	90	90	90
Height w/legs retracted (in.)	34-1/16	34-1/16	34-1/16	34-1/16
Overall width (in.)	24	24	24	24
Overall depth (in.)	25-1/4	25-1/4	25-1/4	25-1/4
<b>Accessories</b>				
Requires kit for 1/4" panel capability with trim	N/A	N/A	GPF625W/C/B	N/A
Requires kit for trimless 3/4" panel capability	N/A	N/A	GPF675W/C/B	N/A

\*Sensor controlled.  
\*\*Certified by National Sanitation Foundation.  
\*\*\*SS = Stainless steel, WW = White on white, CC = Bisque on bisque, BB = Black on black.

## Built-In Dishwasher Dimensions (in inches)



## Electrical Rating

Voltage AC .....120  
Hertz .....60  
Total connected load amperage.....9.1  
Calrod heater watts max.....875  
For use on adequately wired 120-volt, 15-amp circuit having 2-wire service with a separate ground wire. This appliance must be grounded for safe operation.

As an ENERGY STAR® partner, GE has determined that this product meets the ENERGY STAR® guidelines for energy efficiency.



Refrigeration

Advantium™ Ovens

Microwave Ovens

Dishwashers

Clothes Care

Air Conditioning

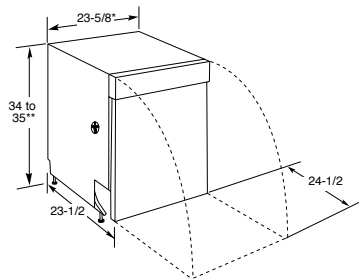
See page 161 for warranty information.

## GE Profile™ Built-In Dishwasher with Stainless Interior

Features	GE Profile	
	ENERGY STAR®	ENERGY STAR
	PDW8060GSS	PDW8000GWW PDW8000GCC PDW8000GBB
Stainless steel tub & door liner	●	●
Front appearance	Flat door	Flat door
Upscale flush design	●	●
Long door design	●	●
Wash system	4-level	4-level
Wash arms	2	2
Water filtration	100%	100%
Dual pumps and motors	●	●
Sensor	CleanSensor™	CleanSensor
Controls	Electronic	Electronic
Cycle progress indicators	5 LEDs	5 LEDs
Touchpads	8	8
Cycles/Options	Variable*	Variable*
Last cycle memory	●	●
Cycles/Selections		
Anti-bacteria (NSF**)	●	●
Cookware	●	●
Normal wash	●	●
China/Crystal	●	●
Enhancements		
Delay Start option	2/4/6-hour	2/4/6-hour
Hi-Temp Wash	Added heat	Added heat
Heated Dry	●	●
Child lock option	●	●
Racking		
Upper rack w/CleanTip™ tines	Nylon adjustable	Nylon adjustable
Lower rack w/CleanTip tines	Nylon	Nylon
Fold-down tine flexibility	4 lower	4 lower
Utility shelves	2 w/stem holder	2 w/stem holder
Silverware basket	Deluxe Plus w/2 cell covers	Deluxe Plus w/2 cell covers
Hard countertop installation	Ready	Ready
Calrod® heater	●	●
Rinse aid dispenser	w/Indicator and adjustment	w/Indicator and adjustment
Latch	Center pull	Center pull
<b>Quiet</b>		
Sound insulation package	Quiet 8000	Quiet 8000
Tub insulation	Mastic w/steel case	Mastic w/steel case
Door insulation	Mastic w/steel door	Mastic w/steel door
ActiveVent system	●	●
Tub collar trim	●	●
Quiet electronic cycle manager	●	●
Quiet water valve	●	●
Quiet water fill port	●	●
Quiet detergent cup	●	●
Tub and door liner	Stainless steel	Stainless steel
<b>Appearance</b>		
Colors available***	SS	WW, CC, BB
<b>Weights &amp; Dimensions</b>		
Approx. shipping weight (lbs.)	120	115
Height w/legs retracted (in.)	34	34
Overall width (in.)	23-5/8	23-5/8
Overall depth (in.)	23-1/2	23-1/2
<b>Accessories</b>		
Requires kit for 1/4" panel capability with trim	N/A	GPF725W/C/B
Requires kit for trimless 3/4" panel capability	N/A	ZPF675W/C/B

\*Sensor controlled.  
 \*\*Certified by National Sanitation Foundation.  
 \*\*\*SS = Stainless steel, WW = White on white, CC = Bisque on bisque, BB = Black on black.

### Built-In Dishwasher Dimensions (in inches)



\*Width adjustable from 23-5/8" to 24".  
 All models shipped with stainless steel tub trim.  
 \*\*Meets ADA countertop height requirement of 34".  
 Height adjustable to 32-1/2" with leveling legs and toe-kick removed.

### Electrical Rating

Voltage AC .....120  
 Hertz .....60  
 Total connected load amperage.....12.0  
 Calrod® heater watts max.....1200  
 For use on adequately wired 120-volt, 15-amp circuit having 2-wire service with a separate ground wire. This appliance must be grounded for safe operation.

As an ENERGY STAR® partner, GE has determined that this product meets the ENERGY STAR® guidelines for energy efficiency.



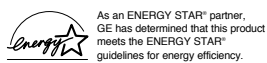
See page 161 for warranty information.



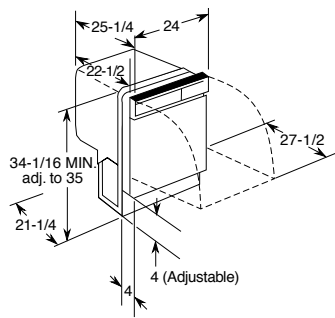
## GE Triton XL™ Built-In Dishwashers

Features	GE	
	ENERGY STAR® GSD6600GSS GSD6600GWW GSD6600GCC GSD6600GBB	ENERGY STAR GSD6200GWW GSD6200GCC GSD6200GBB
Front appearance	Flat door	Flat door
Upscale flush design	●	●
Long door design	●	●
Wash system	XtraClean™	XtraClean
Wash arms	3	3
Wash levels	6-direct feed	6-direct feed
XtraFine™ filter	100% triple with Water filtration	100% triple with XtraFine™ filter
Dual pumps and motors	●	●
Hard food disposer	Piranha™	Piranha
Sensor	XtraClean	XtraClean
Automatic temperature control	●	●
Electronic controls	Light-touch	Light-touch
Cycle progress indicators	6 status lights	1 "Clean" light, 1 "Sanitized" light
Touchpads	10	9
Cycles/Options	Variable*	Variable*
Last cycle memory	●	●
Cycles/Selections		
Anti-bacteria (NSF**)	●	●
Pots & Pans cycle	●	●
Normal Wash	●	●
China/Crystal	●	●
SpeedCycle™ (wash & dry)	●	●
Rinse only	●	●
Extras		
Delay Start option	2/4/8-hour	2/4/8-hour
Hi-Temp Wash	XtraHot wash	XtraHot wash
Hi-Temp Rinse	Auto w/XtraHot wash	Auto w/XtraHot wash
Heated Dry	●	●
HotStart™	Automatic	Automatic
Child lock option	●	●
Racking		
Racking system	Tall-Over-Tall™	Tall-Over-Tall
Upper rack	Nylon deep tiered	Deep tiered
Lower rack	Nylon towerless	Towerless
Fold-down tine flexibility	2 lower	2 lower
Utility shelves	2 upper	2 upper
Silverware basket	Super capacity 3-piece	Super capacity w/2 cell covers
Hard countertop installation	GPF65 Kit	GPF65 Kit
Calrod heater	Multi-wattage w/Indicator and adjustment	Multi-wattage w/Indicator and adjustment
Rinse aid dispenser	w/Indicator and adjustment	w/Indicator and adjustment
Latch	Squeeze	Squeeze
Quiet		
Sound insulation package	QuietPower IV	QuietPower IV
Tube insulation	Thinstall™ w/mastic	Thinstall w/mastic
Door insulation and mastic	●	●
QuietPower™ motor	●	●
ActiveVent II system	●	●
Tub collar trim	●	●
Electronic control system	●	●
PermaTuf™ tub and door liner	●	●
Appearance		
Colors available***	SS, WW, CC, BB	WW, CC, BB
Weights & Dimensions		
Approx. shipping weight (lbs.)	90	90
Height w/legs retracted (in.)	34-1/16	34-1/16
Overall width (in.)	24	24
Overall depth (in.)	25-1/4	25-1/4
Accessories		
Requires kit for 1/4" panel capability with trim	GPF625W/C/B	GPF625W/C/B
Requires kit for trimless 3/4" panel capability	GPF675W/C/B	GPF675W/C/B

\*Sensor controlled.  
\*\*Certified by National Sanitation Foundation.  
\*\*\*SS = Stainless steel, WW = White on white, CC = Bisque on bisque, BB = Black on black.



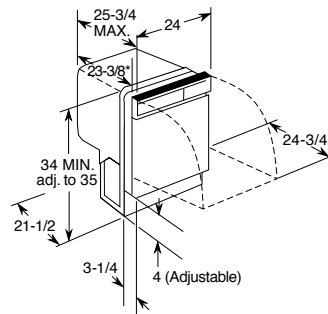
### GE Triton XL Built-In Dishwasher Dimensions (in inches)



### Electrical Rating

Voltage AC .....120  
Hertz.....60  
Total connected load amperage.....9.1  
Calrod heater watts max.....875  
For use on adequately wired 120-volt, 15-amp circuit having 2-wire service with a separate ground wire. This appliance must be grounded for safe operation.

### GE Triton Built-In Dishwasher Dimensions (in inches)



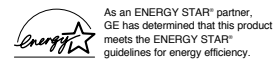
### Electrical Rating

Voltage AC .....120  
Hertz.....60  
Total connected load amperage.....8.2  
Calrod heater watts .....725  
For use on adequately wired 120-volt, 15-amp circuit having 2-wire service with a separate ground wire. This appliance must be grounded for safe operation.

## GE Triton™ Built-In Dishwashers

Features	GE	
	ENERGY STAR® GSD5560GSS	ENERGY STAR GSD5500GWW GSD5500GCC GSD5500GBB
Wash system	TriClean™	TriClean
Dual pumps and motors	●	●
Wash levels	6	6
Water filtration	100% Triple	100% Triple
Hard food disposer	Piranha	Piranha
CleanSensor	●	●
Cycles	Variable	Variable
Pots & Pans	●	●
Normal Wash	●	●
Light Wash	●	●
China/Crystal	●	●
SaniWash	●	●
Rinse only	●	●
Options	Variable	Variable
Delay Start option	2/4/8-hour	2/4/8-hour
Heated Dry	●	●
Child lock option	●	●
Racks, shelf & basket		
Upper rack	Super	Super
Lower rack	Super	Super
Utility shelves	2	2
Silverware basket	Super capacity w/1 cell cover	Super capacity w/1 cell cover
Control type	Electronic	Electronic
Cycle progress indicators	6 LEDs	6 LEDs
Touchpads	10	10
Rinse aid dispenser	w/Indicator	w/Indicator
Steel door	●	●
Center throw door latch	●	●
Quiet		
Quiet		
Sound insulation package	QuietPower II	QuietPower II
PermaTuf™ tub and door liner	●	●
QuietPower™ motor	●	●
Appearance		
Colors available*	SS	WW, CC, BB
Color panels—door & access	Trimless	Trimless
Weights & Dimensions		
Approx. shipping weight (lbs.)	85	80
Height w/legs retracted (in.)	34	34
Overall width (in.)	24	24
Overall depth (in.)	25-3/4	25-3/4
Accessories		
Requires kit for 1/4" panel capability with trim	N/A	GPF425W/C/B
Requires kit for trimless 3/4" panel capability	N/A	GPF475

All GE dishwashers are equipped with the following: 120°F inlet water capability, Easy-Glide roller system, convection drying, horizontal mechanism, leveling screws.  
\*Colors available: SS = Stainless Steel, WW = White on white, CC = Bisque on bisque, BB = Black on black.



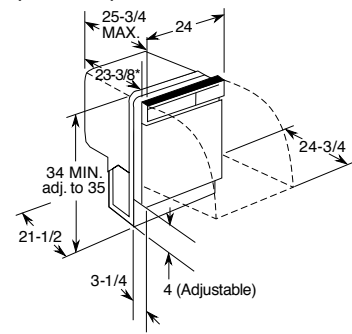
See page 161 for warranty information.

## GE® Built-In Dishwashers

Features	GE			
	GSD4500GWW GSD4500GCC GSD4500GBB	ENERGY STAR® GSD3800GWW GSD3800GCC GSD3800GBB	GSD3400GWW GSD3400GCC GSD3400GBB	ENERGY STAR GSD2600GWW GSD2600GCC GSD2600GBB
Wash system	PowerScrub™	SureClean™	PowerScrub	Standard
Wash levels	5	3	5	2
Water filtration	Dual	Dual	Dual	
Food disposer	Piranha™	•	Piranha	•
Cycles	4	6	6	5
Pots & Pans	•	•	•	•
Heavy Wash	•	•	•	•
Normal Wash	•	•	•	•
Light Wash	•	•	•	Dial
Short Wash	•	•	•	Dial
Plate Warmer	•	Dial	Dial	Dial
Rinse only	•	Dial	Dial	Dial
Options	26	35	31	22
Delay Start option	4/6/8-hour	1-6-hour	1-6-hour	
Heated Dry	•	•	•	•
Hi-Temp Wash	•	•	•	•
Hi-Temp Rinse	•	•	•	•
HotStart™	•	•	•	Dial
Child lock option	•	•	•	•
Racks, shelf & basket				
Upper rack	Deluxe Plus	Deluxe Plus	Deluxe	Standard
Lower rack	Deluxe	Deluxe	Deluxe	Deluxe
UtILITY shelves	2	2		
Silverware basket	Deluxe	Deluxe	Deluxe	Deluxe
Control type	Electronic	TouchTap™	TouchTap	Turn-to-start
Cycle progress indicator(s)	1 "Clean"	1 "Cycle On"	1 "Cycle On"	Dial
Touchpads	10	8	7	
Pushbuttons				6
Rinse aid dispenser	w/Indicator	w/Indicator	•	•
Steel door	•	•	•	•
Center throw door latch	•	•	•	•
<b>Quiet</b>				
Quiet				
Sound insulation package	QuietPower I	QuietPower I	QuietDesign™	QuietDesign
PermaTuf® tub/door liner	•	•	•	•
QuietPower™ motor	•	•	•	•
<b>Appearance</b>				
Colors available*	WW, CC, BB	WW, CC, BB	WW, CC, BB	WW, CC, BB
Color panels—door & access	Trimless	Trimless	Trimless	Trimless
<b>Weights &amp; Dimensions</b>				
Approx. shipping weight (lbs.)	80	80	80	80
Height w/legs retracted (in.)	34	34	34	34
Overall width (in.)	24	24	24	24
Overall depth (in.)	25-3/4	25-3/4	25-3/4	25-3/4
<b>Accessories</b>				
Requires kit for 1/4" panel capability with trim	GPF425W/C/B	GPF425W/C/B	GPF425W/C/B	GPF325W/C/B
Requires kit for trimless 3/4" panel capability	GPF475	GPF475	GPF475	GPF375

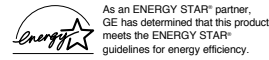
All GE Dishwashers are equipped with the following: 120°F inlet water capability, Easy-Glide roller system, convection drying, horizontal mechanism, leveling screws.  
\*Colors available: WW = White on white, CC = Bisque on bisque, BB = Black on black.

### GE Built-In Dishwasher Dimensions (in inches)



### Electrical Rating

Voltage AC .....120  
Hertz .....60  
Total connected load amperage .....6.2  
Calrod® heater watts .....500  
For use on adequately wired 120-volt, 15-amp circuit having 2-wire service with a separate ground wire. This appliance must be grounded for safe operation.



See page 161 for warranty information.

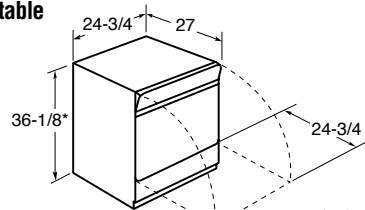
## GE Nautilus™ Convertible Dishwashers

Features	GE	
	GSC3400GWW GSC3400GBB	GSC3200GWW GSC3200GBB
Wash system	PowerScrub	PowerScrub
Wash levels	5	5
Water filtration	Dual	Dual
Hard food disposer	Piranha	Piranha
Cycles	7	5
Pots & Pans	•	•
Normal Wash	•	•
Light Wash	•	
China/Crystal	•	
Short Wash	Dial	Dial
Plate Warmer	Dial	Dial
Rinse Only	Dial	Dial
Options	39	22
Delay Start option	1-6-hour	
Heated Dry	•	•
Hi-Temp wash	•	•
HotStart	•	Dial
Racks (upper/lower)	Deluxe	Deluxe
Silverware basket	Deluxe split w/2 cell covers	Deluxe
Cycle progress indicator	1 "Cycle On"	Dial
TouchTap™ controls	8	
Pushbuttons		6
Rinse aid dispenser	w/Indicator	•
Steel door	•	•
Center throw door latch	•	•
<b>Quiet</b>		
Quiet		
Sound insulation package	QuietDesign	QuietDesign
PermaTuf tub and door liner	•	•
QuietPower motor	•	•
Sealed toe-kick	•	•
<b>Appearance</b>		
Colors available*	WW, BB	WW, BB
Color panels—door & access	Trimless	Trimless
Decorative wood laminate top	Woodgrain	Woodgrain
<b>Weights &amp; Dimensions</b>		
Approx. shipping weight (lbs.)	130	130
Overall height w/legs extended (in.)	36-3/8	36-3/8
Overall width (in.)	24-7/8	24-7/8
Overall depth (in.)	27	27
<b>Accessories</b>		
Requires kit for 1/4" panel capability with trim	GPF425W/B	GPF325W/B
Requires kit for trimless 3/4" panel capability	GPF475	GPF375

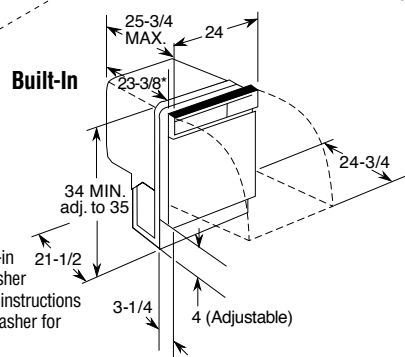
\*Colors available: WW = White on white, BB = Black on black.

### Convertible Dishwasher Dimensions (in inches)

#### Portable



\*Includes top and wheels



**Important Note:** GE kit number WD35M34 needed when adapting GE convertible dishwasher to a built-in installation. Contains built-in dishwasher water valve, hardware and complete instructions for changing a GE convertible dishwasher for under-the-counter installation.

## GE Spacemaker® Built-In 18" Dishwasher

Features	GE
	GSS1800Z
Wash levels	2
Cycles	4
Pots & Pans	Dial
Normal Wash	Dial
Light Wash	Dial
Rinse & Hold	Dial
Options	7
Heated Dry	Rocker
Racks (upper/lower)	Standard
Silverware basket	Standard
Control type	Turn-to-start
Cycle progress indicator	Dial
Rinse aid dispenser	•
120°F inlet water capability	•
Leveling screws	•
<b>Economical/Quiet</b>	
Tub insulation	Standard
<b>Appearance</b>	
Colors available (insert panels)	White / Almond / Black
<b>Weights &amp; Dimensions</b>	
Approx. shipping weight (lbs.)	70
Height w/legs retracted (in.)	34-1/8
Overall width (in.)	18
Overall depth (in.)	25-3/8

### Spacemaker Built-In Dimensions (in inches)

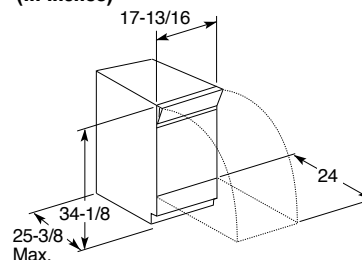


Figure 1

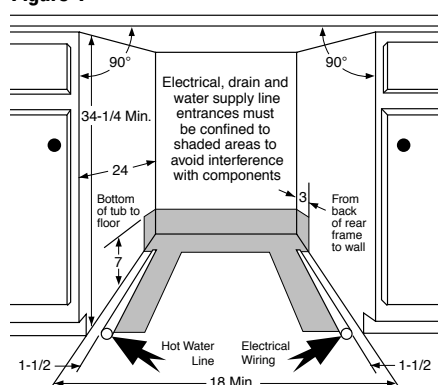
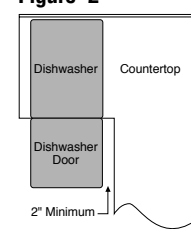


Figure 2



### Dishwasher Rough-In Information

**Note:** Dishwasher must not be installed more than ten feet from sink for proper drainage. All plumbing and electrical work must be in accordance with local codes.

Most of the installation work should be done before the dishwasher is moved into place. First, select a location as close to the sink as possible for ready access to water and drain lines. For proper operation and appearance of the dishwasher, the cabinet opening should be square and have dimensions as shown in Figure 1. If the dishwasher is to be installed in a corner, there must be sufficient clearance to open the door as shown in Figure 2. A minimum clearance of 2" is recommended.

Rough-in the water, electrical, and drain lines before proceeding with installation. The lines should run straight to their connections on the dishwasher.

**Note:** Make sure that the lines do not cross in front of the dishwasher motor or its legs.

**Note:** For trim kit to install wood panel up to 3/16" thick on GSS1800Z model only, order Pub. No. 5-A007.

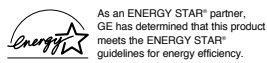
See page 161 for warranty information.

## GE Spacemaker® Under-the-Sink Dishwashers

GE	
ENERGY STAR® GSM2100GWW GSM2100GCC	
<b>Features</b>	
Wash levels	2
Food disposer	•
Cycles	5
Pots & Pans	•
Normal Wash	•
Short Wash	Dial
Plate Warmer	Dial
Rinse Only	Dial
Options	12
Heated Dry	•
HotStart™	Dial
Racks, shelf & basket	
Upper rack	Spacemaker
Lower rack	Deluxe
Silverware basket	Deluxe
Control type	Turn-to-start
Cycle progress indicator	Dial
Pushbuttons	4
Rinse aid dispenser	•
Steel door	•
Center throw door latch	•
<b>Quiet</b>	
PermaTuf® tub and door liner	•
QuietPower™ motor	•
<b>Appearance</b>	
Colors available*	WW, CC
Color panels—door & access	Trimless
<b>Weights &amp; Dimensions</b>	
Approx. shipping weight (lbs.)	72
Height w/legs retracted (in.)	34
Overall width (in.)	24
Overall depth (in.)	25-3/4
<b>Accessories</b>	
Requires kit for 1/4" panel capability with trim	GPF325W/C
Requires kit for trimless 3/4" panel capability	GPF375

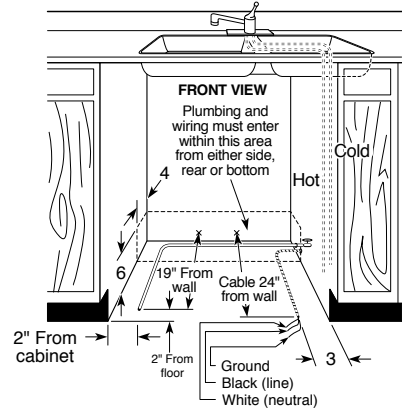
\*Colors available: WW = White on white, CC = Bisque on bisque, control panel/bisque on bisque, front panels.

**Note:** Under-the-Sink dishwashers can be installed under GE cooktop models JP200V and JP201V. Refer to cooktop installation instructions.



As an ENERGY STAR® partner, GE has determined that this product meets the ENERGY STAR® guidelines for energy efficiency.

### Plumbing/Electrical Rough-In



**Plumbing:** Hot Water Only: Use 3/8" O.D. copper tubing or 1/2" O.D. plastic tubing min. inlet line. Water valve has 3/8" internal threads. Hand cut-off valve is recommended.

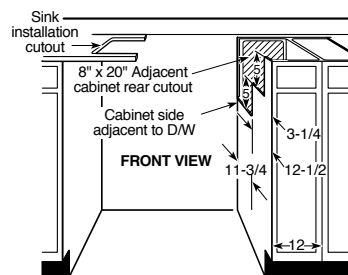
**Electrical:** Fuse circuit with 15 amp or 20 amp standard fuse or circuit breaker. Total amp load is 6.2. Dishwasher operates on 120V, 60 Hz power. Two-wire cable (14 Ga. Min.) with ground must be installed.

**Note:** All rough-in, both plumbing and electrical, must be completed before the dishwasher is installed. All plumbing and electrical work must be in accordance with local codes.

**Specifications:** Inlet Water Temperature Recommended: Minimum 120°F at dishwasher. Inlet Water Pressure Required: 15 to 120 lbs./sq. in.

228 See page 161 for warranty information.

### Cabinet Cutout for Sink



Cabinet cutouts for offset single and double bowl sinks. Dishwasher not provided with complete enclosure. Enclosures for sides, top, bottom, and back must be provided by installer at time of installation.

### Stainless Steel Sinks Single- and Double-Bowl Models Dimensions (in inches)

Model Number	Overall Size		Inside Each Compartment		
	L	W	L	W	D
GPF95 (Single Bowl, R)*	25	21-1/4	21	15-3/4	5-3/8
GPF96 (Single Bowl, L)*	25	21-1/4	21	15-3/4	5-3/8
GPF97 (Double Bowl)	33	21-1/4	14	15-3/4	5-3/8

Model Number	Cutout In Countertop 1-1/2" Radius Corners		No. Of 1-1/2" Dia. Faucet Holes	Ship. Wt. Lbs.
	L	W		
GPF95 (Single Bowl, R)*	24-3/8	20-5/8	3 or 4**	10
GPF96 (Single Bowl, L)*	24-3/8	20-5/8	3 or 4**	10
GPF97 (Double Bowl)	32-3/8	20-5/8	3 or 4**	12-1/2

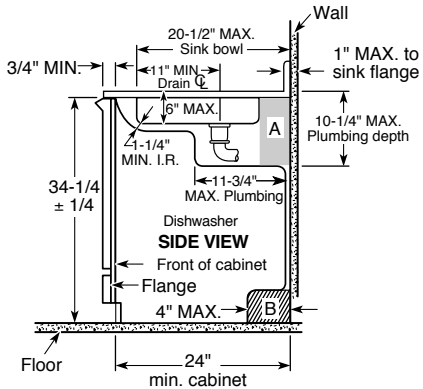
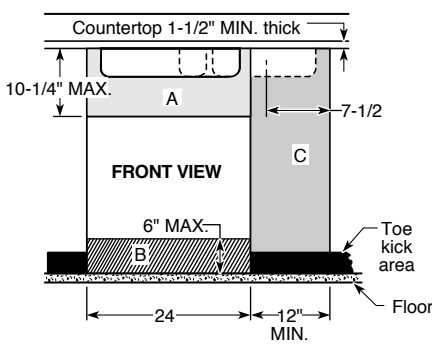
**Note:** Drain opening size is 3-1/2".

Above models are fully sound deadened.

\*Suffix "L" or "R" means drain outlet is located in upper left or right corner of sink compartment.

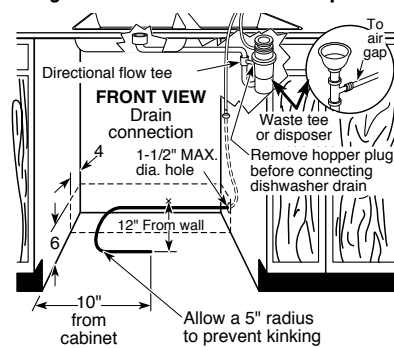
\*\*All have four holes, but one hole has a removable plug.

### Cabinet Rough-In

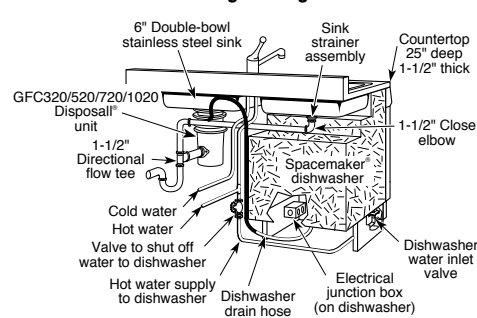


Either single- or double-bowl sink may be used, centered or offset, as shown in the front illustration above. The 20-1/2" max. dimension from wall to front of sink bowl must be accurate if dishwasher is to fit properly under sink. Water lines to sink faucet and drain from sink can be run through area "A." HOT WATER line to dishwasher is installed in area "B." Garbage disposer, water lines to faucet, trap, waste air gap and water cut-off valve are installed in 12" wide cabinet shown in area "C." Sink opening for garbage disposer must be dimensioned as shown in front view, area "C" above (7-1/2"). This will provide clearance for disposer and plumbing in cabinet "C" when using double bowl sink. If the sink bowl is more than 20-1/2" max. specified distance from the wall, or if the base cabinet is less than the 24" min. depth from the wall, a gap between the tub front flange and the front of the base cabinet may result.

### Rough-In for Installation with Disposer



### Rear View Plumbing Arrangement



A close-fitting elbow or special shallow sink strainer is necessary to provide clearance between sink drain and dishwasher. Dishwasher furnished with 1/2" I.D. drain hose, 78" long. If using copper tubing, 2" length of 1/2" I.D. rubber hose must be provided to connect copper tubing to pump outlet. Disposer should have 7/8" I.D. dishwasher drain connector.



## Dishwasher Accessories

### Dishwasher Panel Kits and Accessories:

Models: **GSD2600, GSC3200 and GSM2100.**

GPF310W/C/A/B—panel kit (door and access)

Models: **GSD5560, GSD5500, GSD4500, GSD3800, GSD3400 and GSC3400.**

GPF410S/W/C/A/B—panel kit (door and access)

Models: **PDW7700, GSD6660, GSD6600 and GSD6200.**

GPF610S/W/C/B—panel kit (door)

Models: **PDW7880, PDW7800 and PDW7300.**

GPF710S/W/C/B—panel kit (door)

### Side Panel for All GE Models:

Contains one panel and adjustable toe-kick for end cabinet installation of built-in model. Does not attach to dishwasher. Specify color: GPS5WH—White, GPS5AD—Almond

NOTE: S = Stainless steel, W=White, C = Bisque, A=Almond, B=Black

### Wood Panel Capability:

Models: **GSD2600, GSC3200 and GSM2100.**

GPF325W/C/A/B—1/4" panel trim kit (door and access)

GPF375—3/4" panel trim kit (door and access [GPF100—heavy-duty spring kit included])

Models: **GSD5500, GSD4500, GSD3800, GSD3400 and GSC3400.**

GPF425W/C/A/B—1/4" panel trim kit (door and access)

GPF475—3/4" panel trim kit (door and access [GPF100—heavy-duty spring kit included])

Models: **PDW7700, GSD6600 and GSD6200.**

GPF625W/C/B—1/4" panel trim kit (door)

GPF675W/C/B—3/4" panel trim kit (door)

Model: **PDW8000.**

GPF725W/C/B—1/4" panel trim kit (door)

ZPF675W/C/B—3/4" trimless panel trim kit (door)

### Spacemaker Dishwasher Accessories:

Model: **GSM2100.**

GPF95—Stainless sink for Spacemaker dishwasher—single bowl 21-1/4" x 25" Drain hole on right; elbow and strainer included.

GPF96—Stainless sink for Spacemaker dishwasher—single bowl 21-1/4" x 25" Drain hole on left; elbow and strainer included.

GPF97—Stainless sink for Spacemaker dishwasher—double bowl 21-1/4" x 33" Elbow and strainer included.

### Optional Dishwasher Accessories:

GPF53—Brackets for under non-wood countertop installation (Triton™, Nautilus™, Spacemaker Under-the-Sink only)

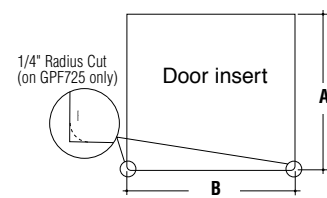
GPF65—Brackets for under non-wood countertop installation. (Profile™\* and Triton XL™ [included with Profile])

GPF100—Heavy spring kit for custom door panel weighing more than 4 lbs. (Triton and Nautilus only)

\*Excludes PDW8060 and PDW8000

### Wood Insert Cutout Dimensions

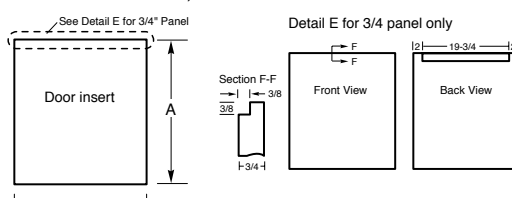
Model: **PDW8000**



Kit	A	B	Panel Thickness
GPF725	25-1/4"	23-1/8"	1/4"
ZPF675	25-1/8"	23-1/8"	3/4"

### Wood Insert Cutout Dimensions

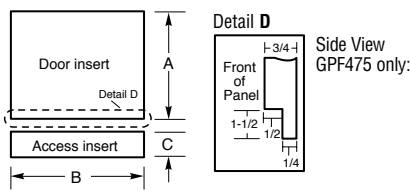
Models: **PDW7700, GSD6600 and GSD6200**



Kit	A	B	Panel Thickness
GPF625	25-1/16"	23-1/2"	1/4"
GPF675	25-7/16"	23-3/4"	3/4"

### Wood Insert Cutout Dimensions

Models: **GSD5500, GSD4500, GSD3800, GSD3400 and GSC3400**



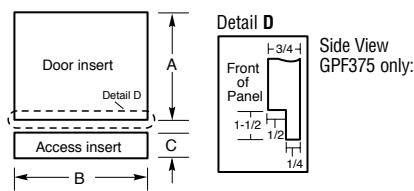
Kit	A	B	C	D – Panel Thickness
GPF425	19-3/4"	23-9/16"	3-11/16"	1/4"
GPF475	19-7/8"	23-5/8**	3-11/16" to 4-1/4**	3/4"

\*Bottom of panel must be notched 1-1/2" x 1/2" to clear access panel. (See illustration above)

\*\*Adjustment required to match adjacent cabinet fronts due to leveling adjustment, 4" nominal.

### Wood Insert Cutout Dimensions

Models: **GSD2600, GSC3200 and GSM2100**

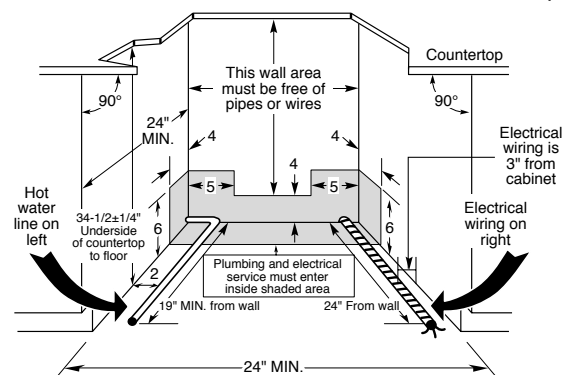


Kit	A	B	C	D – Panel Thickness
GPF325	18-7/8"	23-9/16"	3-11/16"	1/4"
GPF375	18-15/16"	23-5/8**	3-3/4" to 4-1/4**	3/4"

\*Bottom of panel must be notched 1-1/2" x 1/2" to clear access panel. (See illustration above)

\*\*Adjustment required to match adjacent cabinet fronts due to leveling adjustment, 4" nominal.

### GE Profile™ and GE® Dishwashers Installation Information (in inches)



### Dishwasher Rough-In Information

**Note:** Dishwasher must not be installed more than ten feet from sink for proper drainage. All plumbing and electrical work must be in accordance with local codes.

**Note:** If a flush look is needed, a 25" base cabinet needs to be used (except Profile\* and Triton XL models).

The power cord and connections must comply with the National Electrical Code Section 422 and/or local codes and ordinances. The cord must be no longer than six feet from the junction box to the receptacle.

\*Excludes PDW8060 and PDW8000

See page 161 for warranty information.



## GE Disposall® — Food Waste Disposer

Features	GE Continuous Feed								Batch Feed	Three-Bolt Adaptable
	GFC1020F	GFC720F	GFC530F	GFC535F	GFC520F	GFC525F	GFC320F	GFC325F	GFB760F	GFC329G
Motor horsepower	1	3/4	1/2	1/2	1/2	1/2	1/3	1/3	3/4	1/3
Control method	Wall switch	Wall switch	Wall switch	Wall switch	Wall switch	Wall switch	Wall switch	Wall switch	Stopper	Wall switch
Feed type	Continuous	Continuous	Continuous	Continuous	Continuous	Continuous	Continuous	Continuous	Batch	Continuous
Power connection	Direct wire	Direct wire	Direct wire	Line cord	Direct wire	Line cord	Direct wire	Line cord	Direct wire	Line cord
Impellers										
Dual-swivel	•	•	•	•	•	•	•	•	•	•
Jam resistant	•	•	•	•	•	•	•	•	•	•
Stainless steel	•	•	•	•	•	•	•	•	•	•
Armature shaft material	Cold-rolled carbon steel	Cold-rolled carbon steel	Cold-rolled carbon steel	Cold-rolled carbon steel	Cold-rolled carbon steel	Cold-rolled carbon steel	Cold-rolled carbon steel	Cold-rolled carbon steel	Cold-rolled carbon steel	Cold-rolled carbon steel
Grinding speed (RPM's)	2,800	2,700	2,600	2,600	2,600	2,600	1,900	1,900	2,700	1,900
Capacity	Super	Super	Extra-large	Extra-large	Large	Large	Large	Large	Super	Large
Mounting type	EZ-Mount	EZ-Mount	EZ-Mount	EZ-Mount	EZ-Mount	EZ-Mount	EZ-Mount	EZ-Mount	EZ-Mount	3-Bolt Mount Adapter
Turntable material	Stainless	Stainless	Stainless	Stainless	Galv. steel	Galv. steel	Galv. steel	Galv. steel	Stainless	Galv. steel
Two-level precutter	•	•	•	•	•	•	•	•	•	•
Stainless steel sink flange	•	•	•	•	•	•	•	•	•	•
Manual reset overload protector	•	•	•	•	•	•	•	•	•	•
Splash guard	•	•	•	•	•	•	•	•	•	•
Sink stopper	•	•	•	•	•	•	•	•	•	•
Dishwasher drain connector	•	•	•	•	•	•	•	•	•	•
Drain elbow	•	•	•	•	•	•	•	•	•	•
<b>Quiet</b>										
Sound insulation package	QuietPower™ III	QuietPower II	QuietPower I	QuietPower I	Standard	Standard	Standard	Standard	QuietPower II	Standard
<b>Weights &amp; Dimensions</b>										
Approx. shipping weight (lbs.)	14.9	12.45	9.6	9.9	8.8	9.1	8.4	8.7	13.75	8.0
Net weight (lbs.)	13.2	10.7	8.05	8.35	7.8	8.1	7.4	7.7	11	7.4
Dishwasher inlet diameter (in.)	3/4	3/4	3/4	3/4	3/4	3/4	3/4	3/4	3/4	3/4
Drain outlet diameter (in.)	1-1/2	1-1/2	1-1/2	1-1/2	1-1/2	1-1/2	1-1/2	1-1/2	1-1/2	1-1/2
<b>Power Ratings</b>										
Volts, Hertz, Amps	120; 60; 7.0	120; 60; 6.0	120; 60; 4.5	120; 60; 4.5	120; 60; 4.5	120; 60; 4.5	120; 60; 4.0	120; 60; 4.0	120; 60; 6.0	120; 60; 4.0
<b>Warranty*</b>										
One-year full replacement							•	•		•
One-year full replacement plus One-year limited replacement					•	•				
One-year full replacement plus Two-year limited replacement			•	•						
One-year full replacement plus Four-year limited replacement		•							•	
One-year full replacement plus Six-year limited replacement	•									

\*See written warranty for details.

### Built-In Compactors

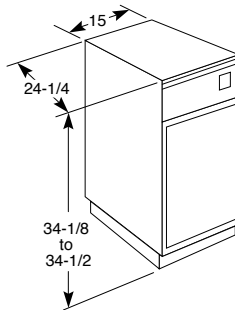
Features	GE Profile™
	GCG1550FCC, GCG1540FSS, GCG1530FWW, GCG1520FBB
Cycle time	27 seconds max., 14 seconds min.
Drive system	2-Point
Motor horsepower	1/3
Compression ratio (average)	75% reduction of volume
Ram force (lb.) (max.)	2,300
Front level legs and rear wheels	•
Capacity	1.4 cu. ft.
Side release bin	•
Toe/foot pedal drawer opener	•
Lock/start control w/removable key	•
Automatic anti-jam	•
Slide-out drawer	•
<b>Appearance</b>	
Color appearance*	SS, WW, CC, BB
Color-matched	•
Heavy-gauge steel construction	•
1/4" panel capability	•
<b>Weights &amp; Dimensions</b>	
Total shipping weight (lbs.)	152
Total appliance weight (lbs.)	141
Overall height (in.)	34-1/8 to 34-1/2
Overall width (in.)	15
Overall depth (in.)	24-1/4
Cutout dimensions H x W x D (in.)	34-1/4 x 15-1/8 x 24-3/4
Clearance for drop-down drawer side	6" or more on right side
Drawer extension for removal	23" or more in front of appliance
Custom panel size H x W (in.)	23-15/16 x 14-5/8
<b>Accessories</b>	
Compactor bags (5 included)	WC60X5017
<b>Warranty</b>	
Full One-year warranty**	•

\*Colors available: SS = Stainless steel, WW = White on white, CC = Bisque on bisque, BB = Black on black.

\*\*See written warranty for details.

230 See page 161 for warranty information.

### Compactor Dimensions (in inches)



### Compactor Accessories:

New 1/4" panel trim kits (color-matched)

**GPF82S**—Stainless steel

**GPF82W**—White

**GPF82C**—Bisque

**GPF82B**—Black

GFC329G—Designed to easily adapt to existing 3-bolt mount system of the following models

	ISE®	Emerson®	Sears®
Grind-All	333	E-10	42-6070
Badger 1	333 SS	E-20	42-6051
Badger 5+	77	E-30	42-6050
Badger 5	Classic	E-40	42-6040
777	Medallion	E-80	42-6011
555	Pro 77	E-90	42-6013
444	Pro 333	E-100	42-6010
17	Pro 333 SS		42-6012

ISE® and In-Sink-Erator® are registered trademarks of Emerson Electric Co.

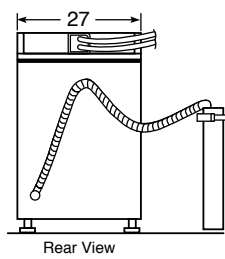
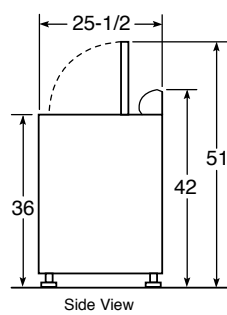
# GE Profile™ Washers

GEAppliances.com

	GE Profile				
	WPSE7003A	WPSB9120B	WHSB9000B	WPSB8060B	WHSB8000B
<b>Capacity</b>					
Capacity cu. ft.	Super Plus 3.2	Super Plus 3.2	Super Plus 3.2	Super Plus 3.2	Super Plus 3.2
<b>Features</b>					
ENERGY STAR®			●		●
Controls	One-Touch Electronic	One-Touch Electronic	One-Touch Electronic	One-Touch Electronic	One-Touch Electronic
Custom cycles	2	2	2		
Adaptive Logic System™	●	●	●	●	●
Speed Wash	●	●	●		
Power Rinse™	●	●	●	●	●
Cycle status lights	●	●	●	●	●
Wash/rinse temps	4	4	3	4	3
Wash/spin speed combinations	5	12	10	6	6
Water levels	5	4	4	4	4
Temperature management system	PerfecTemp Plus	PerfecTemp Plus	PerfecTemp Plus	PerfecTemp Plus	PerfecTemp Plus
SpotSpray	●	●	●	●	●
Fabric softener dispenser	●	●	●	●	●
Bleach dispenser	●	●	●	●	●
Agitator	GentlePower™	GentlePower	GentlePower	GentlePower	GentlePower
End-of-cycle signal	Deluxe	Variable	Variable	●	●
Add bleach signal		●	●		
Number of wash cycles	Multiple	Multiple	Multiple	Multiple	Multiple
Cycle Countdown	LED	LED	LED	LED	LED
<b>Cycles</b>					
Whites	●	●	●	●	●
Colors	●	●	●	●	●
Dark Colors	●	●	●	●	●
Easy Care	●	●	●	●	●
Handwash	●	Ultra	Ultra	Pulsed	Pulsed
Specialty Cycles				Casuals-Pulsed	Casuals-Pulsed
<b>Optional Soil Levels</b>					
Stain Wash	●	●	●		
Extra Heavy Soil					
Heavy Soil	●	●	●	●	●
Medium Soil	●	●	●	●	●
Light Soil	●	●	●	●	●
Extra Light				●	●
Presoak	●	●	●	●	●
Quick Rinse (Prewash)	●	●	●	●	●
Spin Only	●	●	●	●	●
2nd Rinse	●	●	●	●	●
Extended Spin	●	●	●	●	●
Delay Start	●	●	●		
Color lid instructions	●	●	●	●	●
Color stain guide	●	●	●	●	●
Washer basket type	PermaTuf II™	ExtraAction Tub™	ExtraAction Tub	ExtraAction Tub	ExtraAction Tub
<b>Quiet</b>					
Quiet Insulation Package	Hush Quiet Plus	Hush Quiet Plus	Hush Quiet Plus	Deluxe Quiet	Deluxe Quiet
<b>Appearance</b>					
Colors available*	WW	WW, CC	WW, CC, WC	WW, CC	WW, CC
<b>Weights</b>					
Approx. shipping weight	160	160	160	160	160

\*WW = White on white, CC = Bisque on bisque, WC = Brushed Aluminum. WC available on WHSB9000B only.

## Washer Dimensions (in inches)



## Washer Specifications

**Circuit Requirements:**  
An individual, properly grounded branch circuit, with a three-prong grounding-type receptacle, protected by a 15 or 20 amp circuit breaker or time-delay fuse is required.

**Electrical Rating:**  
115V, 60Hz, 10A

**Washer Note:**  
Washer wall outlet must be located within 36" of service cord entry. Wall outlet must not be located behind dryer.

See page 162 for warranty information.

Refrigeration

Cooking Products

Microwave Ovens

Dishwashers

Clothes Care

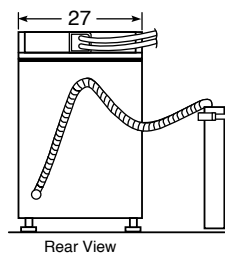
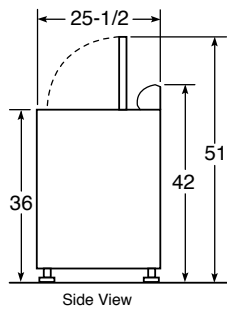
Air Conditioning

# GE® Washers

	GE							
	WWSE6260B	WWSE5200B	WJSE4150B	WBSE3120B	WBXR3100B	WBXR2090B	WJSR2070B	WVSR1060B
<b>Capacity</b>								
Capacity cu. ft	Super Plus 3.2	Super Plus 3.2	Super Plus 3.2	Super Plus 3.2	Extra-Large 2.7	Extra-Large 2.7	Super 3.2	Super 3.2
<b>Features</b>								
Controls	Rotary-Electronic	Rotary-Electronic	Rotary-Electronic	Rotary-Electronic	Rotary-Mechanical	Rotary-Mechanical	Rotary-Mechanical	Rotary-Mechanical
Cycle status lights	●	●	●	●				
Wash/rinse temps	4	3	3	3	3	3 (Locked)	3	3 (Locked)
Wash/spin speed comb	6	5	4	3 (Locked)	3 (Locked)	2	2	1
Water levels	4	4	3	3	3	3	3	3
Power Rinse™	●	●	●	●				
Temperature management system	PerfecTemp	Auto Temp						
SpotSpray	●							
Fabric softener dispenser	●	●	●	●	●			
Agitator	GentlePower™	GentlePower	GentlePower	GentlePower	GentlePower	FlexCare™	FlexCare	FlexCare
Bleach dispenser	●	●	●	●	●		●	
Number of wash cycles	26	20	15	12	10	9	7	6
Cottons Regular						Whites	Whites	Whites
Extra Heavy Soil	●	●	●	●	●			
Heavy Soil	●	●	●	●	●	●	●	●
Medium Soil	●	●	●	●	●	●	●	●
Light Soil	●	●	●	●	●	●	●	●
Extra Light	●	●	●					
Auto Soak (15 Min.)	●	●	●					
Auto Soak (30 min.)	●	●	●					
Easy Care								Colors
Extra Heavy Soil			●	●				
Heavy Soil	●	●	●	●	●			●
Medium Soil	●	●	●	●	●			●
Light Soil			●	●	●			●
Auto Soak (15 Min.)		●						
Casuals-Pulsed								
Heavy Soil	●	●				●	●	
Medium Soil	●	●				●	●	
Light Soil						●	●	
Delicates						Dark Colors		Dark Colors
Heavy Soil						●		●
Medium Soil	●	●	●	●	●	●		●
Light Soil		●	●	●	●	●		●
Handwash-Pulsed								
Medium Soil	●							
Quick Rinse (Prewash)	●	●	●	●				
Spin Only	●	●	●	●				
2nd Rinse	●	●						
Extended Spin	●							
Rinse and Spin					●		●	
Color lid instructions	●	●	●	●	●			
Washer basket type	PermaTuf II™	PermaTuf II	PermaTuf II	PermaTuf II	PermaTuf II	PermaTuf II	PermaTuf II	PermaTuf II
<b>Quiet</b>								
Quiet Insulation Package	Deluxe Quiet	Quiet-By-Design™	Quiet-By-Design	Quiet-By-Design	Quiet-By-Design	Quiet-By-Design	Quiet-By-Design	Quiet-By-Design
<b>Appearance</b>								
Colors available*	WW/CC	WW/CC	WW/CC	WW/CC	WW	WW	WW/CC	WW
<b>Weights</b>								
Approx. shipping weight	160	160	160	160	160	160	160	160

\*WW = White on white, CC = Bisque on bisque.

## Washer Dimensions (in inches)



## Washer Specifications

**Circuit Requirements:**  
An individual, properly grounded branch circuit, with a three-prong grounding-type receptacle, protected by a 15 or 20 amp circuit breaker or time-delay fuse is required.

**Electrical Rating:**  
115V, 60Hz, 10A

**Washer Note:**  
Washer wall outlet must be located within 36" of service cord entry. Wall outlet must not be located behind dryer.

See page 162 for warranty information.



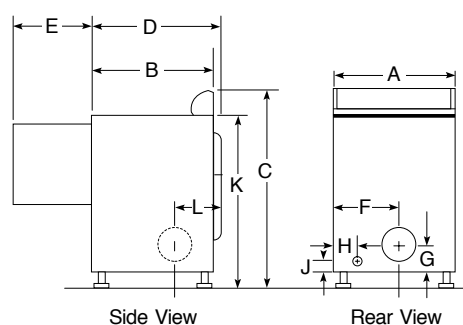
## GE Profile™ Dryers

	GE Profile			
	Electric Gas	DPSE592EA DPSE592GA	DPSB519EB DPSB519GB	DPXB515EB DPXB515GB
<b>Capacity</b>				
Capacity cu. ft.	Super 7.0	Super 7.0	Extra-Large 6.0	Super 7.0
<b>Features</b>				
Controls	One-Touch Electronic	One-Touch Electronic	One-Touch Electronic	One-Touch Electronic
Custom cycles	2	2	1	
Adaptive Logic System™	•	•	•	•
Speed Dry	•	•	•	
Antibacterial cycle	•	•	•	
Cycle status lights	•	•	•	•
Heat management system	Sensor Dry Plus	Sensor Dry Plus	Sensor Dry Plus	Sensor Dry Plus
Heat selections	5	5	5	5
End-of-cycle signal	•	Variable	Variable	•
Damp dry signal		•		
Number of dry cycles	Multiple	Multiple	Multiple	Multiple
Cycle Countdown	LED	LED	LED	LED
<b>Cycles</b>				
Cottons	•	•	•	•
Mixed Loads	•	•	•	•
Easy Care	•	•	•	•
Knits/Sweaters	•	•	•	•
Delicates w/Extra-Low temp	•	•	•	•
<b>Optional Dryness Levels</b>				
More Dry	•	•	•	•
Dry	•	•	•	•
Less Dry	•	•	•	•
Sensor Damp Dry	•	•	•	•
<b>Options</b>				
Wrinkle Care	Extended Tumble	Extended Tumble	Extended Tumble	Extended Tumble
Dryer® Cycle	•	•		
Antibacterial	•	•		
Dewrinkle	•	•	•	•
AirDry	•	•	•	•
Add Time	•	•	•	•
Warm Up		•		
Timed Dry	•	•	•	•
Delay Start		•		
Deluxe dryer rack	•	•	•	•
Dryer interior light	•	•	•	•
Interior finish	DuraDrum™	DuraDrum	DuraDrum	DuraDrum
Clean lint filter reminder	•	•	•	•
<b>Quiet</b>				
Quiet Insulation Package	Hush Quiet Plus	Hush Quiet Plus	Hush Quiet	Deluxe Quiet
QuietDrum	•	•	•	
<b>Appearance</b>				
Colors available*	WW	WW, CC, WC	WW, CC	WW, CC
<b>Weights</b>				
Approx. ship. wt. (Elec.)	130	130	130	130
Approx. ship. wt. (Gas)	125	125	125	125

\*WW = White on white, CC = Bisque on bisque, WC = Brushed Aluminum. WC only available on DPSB519EB/GB

GEAppliances.com

### Dryer Dimensions (in inches)



	Extra-Large 5.7 Capacity	Extra-Large 6.0 Capacity	Super Capacity
A	27	27	27
B	25-1/2*	25-1/2*	25-1/2*
C	42	42	42
D	25-3/4	25-3/4	28-1/4
E	23-1/2	23-1/2	23-1/2
F	11-3/4	11-1/2	11-1/2
G	5-1/2	3-1/2	3-1/2
H	2	2	2
J	2-1/2	2-1/2	2-1/2
K	36	36	36
L	4-3/4	5-1/4	8-1/2

\*24-1/2" from the edge of the side panel to the front. 25-1/2" from front to edge of end caps.

### Dryer Specifications

#### Exhaust options:

**Electric:** 4-way via rear, right, left and bottom.

**Gas:** For 6.0 and 7.0 cu. ft. dryers, when viewed from the front of the unit, exhaust 3-way via rear, left and bottom. For 5.7 cu. ft. dryers, when viewed from the front of the unit, exhaust 3-way via rear, right and bottom. Dryer is shipped exhausted to the rear. Alternate exhausting knockouts are supplied.

#### Circuit Requirements:

**Electric:** An individual, properly grounded branch circuit, protected by a 30 amp circuit breaker or a time-delay fuse is required.

#### Electric Dryer Rating:

208/240V, 5600W, 24A, 60 Hz  
208V, 4400W, 22A, 60 Hz

**Gas:** An individual, properly grounded branch circuit, with a three-prong grounding-type receptacle, protected by a 15 or 20 amp circuit breaker or a time-delay fuse is required.

#### Gas Dryer Electric Rating:

120V, 60Hz, 6A

**Gas (BTU/HR):** 22,000. Factory-equipped for natural gas. Tested for LP gas. LP gas supply requires an optional conversion kit. 5.7 cu. ft. model kit is WE25X10003. 6.0 and 7.0 cu. ft. model kit is WE25X0217. Have a qualified gas technician install a conversion kit. See dryer ducting information for proper installation.

**Note:** Dryer wall outlet must be located within 36" of service cord entry and accessible when dryer is mounted in position.

Refrigeration

Cooking Products

Microwave Ovens

Dishwashers

Clothes Care

Air Conditioning

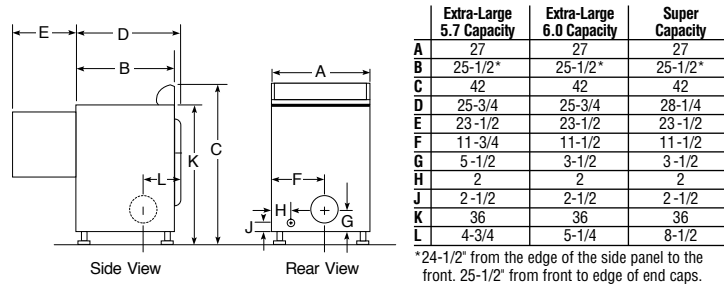
See page 162 for warranty information.

## GE® Dryers

	GE							
	DWSR405EB DWSR405GB	DWXR485EB DWXR485GB	DWSR483EB DWSR483GB	DWXR483EB DWXR483GB	DBSR453EB DBSR453GB	DBXR463EB DBXR463GB	DBL333EB DBL333GB	DVL223EB DVL223GB
<b>Capacity</b>								
Capacity cu. ft.	Super 7.0	Extra-Large 6.0	Super 7.0	Extra-Large 6.0	Super 7.0	Extra-Large 6.0	Extra-Large 5.7	Extra-Large 5.7
<b>Features</b>								
Controls	Rotary - Mechanical	Rotary - Mechanical	Rotary - Mechanical	Rotary - Mechanical	Rotary - Mechanical	Rotary - Mechanical	Rotary - Mechanical	Rotary - Mechanical
Heat management system	Sensor Dry	Sensor Dry	Auto Dry	Auto Dry	Auto Dry	Auto Dry	Auto Dry	Auto Dry
Heat selections	4	4	4	4	4	4	3	2 (Locked)
End-of-cycle signal	Deluxe	Deluxe	Variable	Variable	Fixed			
Number of dry cycles	10	8	8	8	5	6	3	2
Options								
Wrinkle Care	On/Off	On/Off	On/Off	On/Off				
<b>Cottons</b>								
Auto Cottons Cycle	•	•	•	•	•	•	•	•
Optional Wrinkle Care	•	•	•	•				
<b>Easy Care</b>								
Auto Easy Care	•	•	•	•	•	•	•	
Optional Wrinkle Care	•	•	•	•				
<b>Delicates</b>								
Auto Delicates	•	•						
Optional Wrinkle Care	•	•						
<b>Timed Dry</b>								
Actual Minutes on Timer	80 Min.	80 Min.	80 Min.	80 Min.	80 Min.	80 Min.	80 Min.	80 Min.
Damp Dry	•		•	•	•	•		
Dewrinkle	•	•	•	•	•	•		
Quick Fluff (no heat)	•		•	•		•		
<b>Deluxe dryer rack</b>	•							
Dryer interior light	•	•	•	•	•	•		
Interior finish	DuraDrum™	DuraDrum	DuraDrum	DuraDrum	DuraDrum	DuraDrum	Painted	Painted
<b>Quiet</b>								
Quiet Insulation Package	Deluxe Quiet	Deluxe Quiet	Quiet-By-Design™	Quiet-By-Design	Quiet-By-Design	Quiet-By-Design	Quiet-By-Design	Quiet-By-Design
<b>Appearance</b>								
Colors available*	WW/CC	WW/CC	WW/CC	WW/CC	WW/CC	WW/CC	WW/CC	WW
<b>Weights</b>								
Approx. ship. wt. (Elec.)	119	112	119	112	119	112	125	125
Approx. ship. wt. (Gas)	125	115	125	115	125	115	130	130

\*WW = White on white, CC = Bisque on bisque.

### Dryer Dimensions (in inches)



### Dryer Specifications

#### Exhaust options:

**Electric:** 4-way via rear, right, left and bottom.  
**Gas:** For 6.0 and 7.0 cu. ft. dryers, when viewed from the front of the unit, exhaust 3-way via rear, left and bottom. For 5.7 cu. ft. dryers, when viewed from the front of the unit, exhaust 3-way via rear, right and bottom. Dryer is shipped exhausted to the rear. Alternate exhausting knockouts are supplied.

#### Circuit Requirements:

**Electric:** An individual, properly-grounded branch circuit, protected by a 30 amp circuit breaker or a time-delay fuse is required.

#### Electric Dryer Rating:

208/240V, 5600W, 24A, 60Hz  
 208V, 4400W, 22A, 60Hz

**Gas:** An individual, properly-grounded branch circuit, with a three-prong grounding-type receptacle, protected by a 15 or 20 amp circuit breaker or a time-delay fuse is required.

#### Gas Dryer Electric Rating:

120V, 60Hz, 6A

**Gas (BTU/HR):** 22,000. Factory-equipped for natural gas. Tested for LP gas. LP gas supply requires an optional conversion kit. 5.7 cu. ft. model kit is WE25X10003, 6.0 and 7.0 cu. ft. model kit is WE25X0217. Have a qualified gas technician install a conversion kit. See dryer ducting information for proper installation.

**Dryer Note:** Dryer wall outlet must be located within 36" of service cord entry and accessible when dryer is mounted in position.

See page 162 for warranty information.



## Dryer Exhausting Information

For complete information see installation instructions packed with dryer.

**Important Note:** GE Kit Number 14-A018 needed when converting rear exhaust to bottom or side. (On 5.7 extra-large capacity models only.)

### Ducting Materials

For best performance, this dryer should be vented with 4" diameter all rigid metal exhaust duct. If "all rigid metal" duct cannot be used, then "flexible all metal" venting can be used, but it will reduce the maximum recommended duct length.

The following kit or parts are available from your local service organization.  
Kit WX8X75—7' aluminum duct and 4' hood, short tail.  
(OR individual parts):

- WX8X65 7' aluminum flex duct only
- WX8X58 4' clamps (2)
- WX8X67 4' exhaust hood

See installation instructions for complete information.

### Exhaust length calculation:

1. Determine the number of 90° turns needed for your installation. If you exhaust to the side or bottom of dryer, add one turn.
2. The maximum length of 4" rigid (aluminum or galvanized) duct which can be tolerated is shown in the table.  
The maximum lengths for flexible ducts are less than for rigid duct.  
See table in installation instructions. A turn of 45° or less may be ignored.  
Two 45° turns within the duct length should be treated as a 90° elbow.  
A turn over 45° should be treated as a 90° elbow.

**Exhausting the dryer to the outside is strongly recommended** to prevent large amounts of moisture and lint from being blown into the room. Gas dryers or any dryer located in a closet **must** be exhausted to the outside.

**Caution:** For personal safety do not terminate exhaust into a chimney, under any enclosed house floor (crawl space), or into an attic, since the accumulated lint could create a fire hazard or moisture could cause damage. Never terminate the exhaust into a common duct or plenum with a kitchen exhaust, since the combination of lint and grease could create a fire hazard.

Exhaust ducts should be terminated in a dampered wall cap to prevent back drafts, bird nesting, etc. The wall cap must also be located at least 12" above the ground or any other obstruction with the opening pointed down. Other terminations, such as louvered wall boxes, are acceptable provided they are equivalent to a 4" opening dampered wall cap.

## Special Installation Requirements

### Alcove or Closet Installation

- If your dryer is approved for installation in an alcove or closet, it will be stated on a label on the dryer back.
- The dryer **MUST** be exhausted to the outdoors. See installation instructions.
- Minimum clearances between dryer cabinet and adjacent walls or other surfaces are:
  - 0" either side
  - 3" front and rear
- Minimum vertical space from floor to overhead cabinets, ceilings, etc. is 52".
- Closet doors must be louvered or otherwise ventilated and must contain a minimum of 60 sq. in. of open area equally distributed. If this closet contains both a washer and a dryer, doors must contain a minimum of 120 sq. in. of open area equally distributed.
- The closet should be vented to the outdoors to prevent gas pocketing in case of a gas leak in the supply line.
- No other fuel-burning appliance shall be installed in the same closet with the dryer.

### Bathroom or Bedroom Installation

- The dryer **MUST** be exhausted to the outdoors. See installation instructions.
- The installation must conform with the local codes, or in the absence of local codes, with the National Fuel Gas Code, ANSI Z223.

### Minimum Clearances other than Alcove or Closet Installations

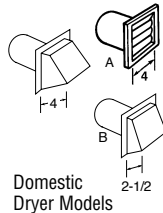
- Minimum clearances to combustible surfaces:
  - 0" both sides
  - 3" rear

For more information on venting kits and accessories, please call 1-800-GE-CARES.



Listed by  
Underwriters  
Laboratories

## Dryer Exhausting Information—Use Metal Duct Only Vertical and Horizontal Ducting



Domestic Dryer Models	Number of 90° Turns	Best Performance			
		Maximum Length of 4" Dia. <b>Rigid Metal</b> Duct Exhaust Hood Type		Maximum Length of 4" Dia. <b>Flexible Metal</b> Duct Exhaust Hood Type	
		A 4" Opening	B 2-1/2" Opening	A 4" Opening	B 2-1/2" Opening
Super & Extra-Large 6.0 Capacity Models All Electric Dryers	0	90 ft.	60 ft.	55 ft.	45 ft.
	1	60 ft.	45 ft.	40 ft.	30 ft.
	2	45 ft.	35 ft.	30 ft.	20 ft.
	3	35 ft.	25 ft.	20 ft.	15 ft.
Super & Extra-Large 6.0 Capacity Models All Gas Dryers	0	45 ft.	30 ft.	30 ft.	15 ft.
	1	35 ft.	20 ft.	20 ft.	10 ft.
	2	25 ft.	10 ft.	10 ft.	—
	3	15 ft.	—	—	—
Extra-Large 5.7 Capacity Electric and Gas Dryers	0	60 ft.	48 ft.	30 ft.	18 ft.
	1	52 ft.	40 ft.	22 ft.	14 ft.
	2	44 ft.	32 ft.	14 ft.	10 ft.
	3	32 ft.	24 ft.	—	—
Spacemaker® Models DSKS433EA WSM2780W	0	46 ft.	37 ft.	30 ft.	24 ft.
	1	38 ft.	30 ft.	25 ft.	20 ft.
	2	31 ft.	22 ft.	20 ft.	14 ft.
Spacemaker® Model DSKP233EW	0	43 ft.	36 ft.	30 ft.	24 ft.
	1	33 ft.	26 ft.	24 ft.	18 ft.
	3	23 ft.	16 ft.	16 ft.	10 ft.
Spacemaker® Model WSM2700W	0	56 ft.	42 ft.	30 ft.	22 ft.
	1	46 ft.	36 ft.	22 ft.	14 ft.
	2	34 ft.	28 ft.	16 ft.	10 ft.
Spacemaker® Models WSM2420T WSM2480T	0	43 ft.	36 ft.	30 ft.	24 ft.
	1	33 ft.	26 ft.	24 ft.	18 ft.
	2	23 ft.	16 ft.	16 ft.	10 ft.

Refrigeration

Cooking Products

Microwave Ovens

Dishwashers

Clothes Care

Air Conditioning

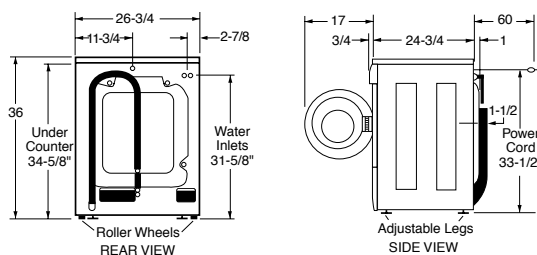


## Front-Loading Washer

	GE Profile™	GE®
	WPXH214A	WSXH208A
<b>Capacity</b>		
Capacity	Extra-Large	Extra-Large
Cubic feet	2.7/3.1 IEC	2.7/3.1 IEC
<b>Features</b>		
Wash/rinse temperatures	7	4
Water levels	Auto. Adjustment	Auto. Adjustment
Standard rinse cycles	4	3
Motor speeds	Variable	Variable
ColorLogic™ 2000	●	●
Combinations*	HC, WW, WC, CC	HC, WW, WC, CC
Detergent dispenser (liquid/powder)	●	●
Bleach dispenser	●	●
Fabric softener dispenser	●	●
End-of-cycle signal	Fixed	Adjustable
Final Spin/Speed selections	4	Automatic
Number of wash cycles	14	8
<b>Cotton</b>		
Heavy Soil	●	●
Medium Soil	●	●
Light Soil	●	●
<b>Easy Care</b>		
Medium Soil/Perm. Press	●	●
Light Soil/Wrinkle Free	●	●
<b>Delicates/Ultra Care</b>		
Pre-Wash	●	●
Quick Wash	●	●
Extra-Rinse Cycle/Auto Option	3	2
Max. Spin speed	950	850
AutoTemp	●	●
Noise package	Deluxe	Standard
ENERGY STAR®	●	●
Leveling legs	●	●
Rear rollers	●	●
Stainless steel wash drum	●	●
<b>Appearance</b>		
Colors available	White on white, Bisque on bisque	White on white
<b>Weights &amp; Dimensions</b>		
Approx. shipping wt. (lbs.)	217	217
Flexible installation	Undercounter, stacked, side-by-side	

\*HC = Hot-Cold, WW = Warm-Warm, WC = Warm-Cold, CC = Cold-Cold.

### Washer Dimensions (in inches)



### Washer Specifications

**Circuit Requirements:** An individual, properly-grounded branch circuit, with a three-prong grounding-type receptacle, protected by a 15 or 20 amp circuit breaker or time-delay fuse is required.

**Electrical Requirements:** 120V, 60 Hertz, 12.0 Amps  
See Pub. No. 31-2819 for installation information.

## Special Installation Requirements

### Undercounter Installation

- Accessory mounting kits are required for undercounter installation. To order, call 1-800-848-7722.  
Washer—Order Pub. No. 14-A037  
Dryer—Order Pub. No. 14-A008

### Stacked Installation

- Brackets for stacking dryer over washer are included with the dryer.

### Alcove or Closet Installation

- If your dryer is approved for installation in an alcove or closet, it will be stated on a label on the dryer back.
- The dryer MUST be exhausted to the outdoors.
- See EXHAUST INFORMATION on previous page.

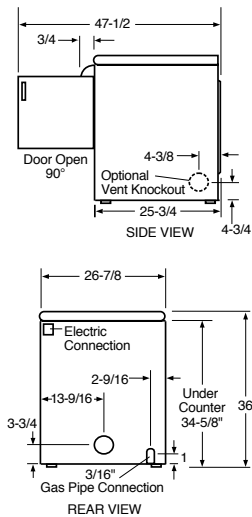
See pages 162-163 for warranty information.

236

## Front-Loading Matching Dryer

	GE Profile	GE
	DPXH46EA/GA	DSXH43EA/GA
<b>Capacity</b>		
Capacity	Extra-Large	Extra-Large
Cubic feet	5.7	5.7
<b>Features</b>		
Tumble drying	●	●
Time dry cycles	1	1
Auto dry cycles	3	2
Sensor Dry	●	●
ColorLogic 2000	●	●
Temperature options	4	4
Regular/Cottons	●	●
Medium/Perm. Press	●	●
Low/Delicates	●	●
Air Fluff/No Heat (Cool Down)	●	●
Wrinkle Care cycle	2	●
Moisture sensor	●	●
Drying rack	●	●
<b>Auto Dry Cycles</b>		
Cottons	●	●
Easy Care	●	●
Knits/Delicate	●	●
Cool Down	●	●
Quick clean lint screen	●	●
End-of-cycle signal	Fixed	Adjustable
Drum light	●	●
Reverse-A-Door	●	●
Dura finish top and drum	●	●
Spill-Saver top	●	●
Poly tumbling vanes	●	●
Leveling legs	●	●
100% front serviceable	●	●
Exhaust options (Electric/Gas)	4/3	4/3
Heavy-duty suspension system	●	●
<b>Appearance</b>		
Colors available	White on white, Bisque on bisque	White on white
<b>Weights &amp; Dimensions</b>		
Approx. shipping weight (Elec/Gas)	116	116
Flexible installation	Undercounter, stacked, side-by-side	
LP conversion kit	WE25X10003	WE25X10003

### Dryer Dimensions (in inches)



### Dryer Exhausting Information— Use Metal Duct Only

	Number of 90° Turns	Best Performance Maximum Length of 4" Dia. Rigid Metal Duct Exhaust Hood Type	
		A 4" Opening	B 2-1/2" Opening
Front Loading Dryers	0	60 ft.	48 ft.
	1	52 ft.	40 ft.
	2	44 ft.	32 ft.
	3	32 ft.	24 ft.
Front Loading Dryers	4	28 ft.	16 ft.
	Maximum Length of 4" Dia. Flexible Metal Duct Exhaust Hood Type		
	Number of 90° Turns	A 4" Opening	B 2-1/2" Opening
		0	30 ft.
Front Loading Dryers	1	22 ft.	14 ft.
	2	14 ft.	10 ft.

### Dryer Specifications

#### Exhaust options:

**Electric:** 4-way via rear, right, left and bottom.  
**Gas:** For 5.7 cu. ft. dryers, when viewed from the front of the unit, exhaust 3-dryers via rear, right and bottom. Dryer is shipped exhausted to the rear.

Exhaust Elbow Kit:  
Order Pub. No. 14-A018.

**Electrical Requirements:**  
208/240V, 3 Wire, 5600W, 24A, 60 Hz  
208V, 3 wire, 4400W, 22A, 60 Hz

**Gas Requirements:** 120V, 60 Hz, 6 A

See Pub. No. 49-9963-2 for installation information.

- Minimum clearances between dryer cabinet and adjacent walls or other surfaces are:

0" either side  
3" front and rear

- Minimum vertical space from floor to overhead cabinets, ceilings, etc. is 52".
- Closet doors must be louvered or otherwise ventilated and must contain a minimum of 60 sq. in. of open area equally distributed. If this closet contains both a washer and a dryer, doors must contain a minimum of 120 sq. in. of open area equally distributed.
- The closet should be vented to the outdoors to prevent gas pocketing in case of a gas leak in the supply line.
- No other fuel-burning appliance shall be installed in the same closet with the dryer.

### Bathroom or Bedroom Installation

- The dryer MUST be exhausted to the outdoors. See EXHAUST INFORMATION on previous page.
- The installation must conform with the local codes, or in the absence of local codes, with the National Fuel Gas Code, ANSI Z223.

### Minimum Clearances other than Alcove or Closet Installations

- Minimum clearances to combustible surfaces:  
0" both sides  
3" rear

For more information on venting kits and accessories, please call 1-800-GE-CARES.

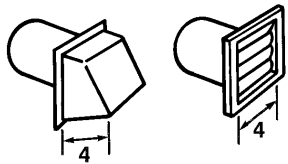


## General Information for Dryer Exhausting

Minimizing the length of ductwork and the number of turns in an exhaust system minimizes the potential for lint to settle and accumulate in the exhaust duct and in the interior cabinet of the dryer. Refer to your specific dryer installation instructions for recommended duct length.

### 1. Wall Caps And Other Terminations

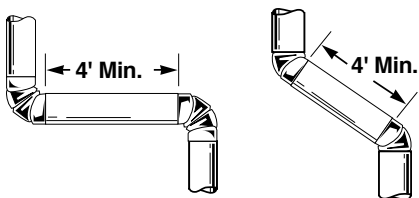
All exhaust systems must be terminated in a manner that will prevent backdrafts from outside as well as prevent birds or other wildlife from building nests or taking refuge in the ductwork. The wall cap should present minimal resistance to the flow of exhaust air and should require little maintenance to prevent clogging. **The preferred termination is either a dampered wall cap with a 4" wide opening or a movable louvered wall cap.** A 2-1/2" wall cap restricts airflow and increases drying time. It must be installed with the opening down, and installed at a minimum of 12" above ground level or any other obstruction. Special consideration should be given in areas where heavy snow drifts are likely to occur to ensure the wall cap does not become obstructed. Other types of terminations, such as roof vents or louvered plenum chambers, are acceptable providing they are equivalent to the 4" dampered wall cap. They must contain at least 14 square inches of ventilation area and afford adequate protection against backdrafts.



**Exhaust ducts must not contain screens or other filtering devices which may become clogged with lint.** The dryer exhaust must not terminate in an ordinary chimney, under an enclosed house floor or crawl space, or into an attic, since any accumulated lint could create a fire hazard and the moisture could cause damage. **Never terminate the exhaust into a common duct or plenum with a kitchen hood exhaust since the combination of grease and lint could create a fire hazard.**

### 2. Separation Of Turns In The Ductwork

All turns in the exhaust system, external to the dryer itself, including the distance from the last turn to the dampered wall cap, should be separated by at least 4' of straight metal duct. This will reduce the added resistance which results from rapid changes in airflow direction inside the ducting. If two turns must be closer than 4', deduct 10' from the maximum lengths shown in the chart on page 235.



### 3. Treatment Of Turns Other Than 90°

One turn of 45° or less may be ignored. Two such turns should be treated as one 90°. Each turn over 45° should be treated as one 90°. Refer to specific dryer installation for maximum duct lengths and for allowable number of 90° bends. In determining the number of turns for an exhaust system, one 90° turn must be added for the bend made inside the cabinet whenever the dryer is exhausted through the right, left or bottom. NOTE: Some dryers are limited to only rear exhausting. Consult the installation instruction for the type of dryer being used.

### 4. Use Of Flexible Metal Ducting

**We recommend the use of 4" diameter rigid metal ducting for permanent and transition venting. Permanent venting is from the wall, floor or ceiling to the outside. Transition venting is from the dryer to the wall, floor or ceiling.** If all rigid ducting cannot be used then flexible all metal ducting may be used, if the following precautions are adhered to:

- Use only 4" diameter all metal ducting.
- Never use foil or other ducting that can be easily punctured with a screwdriver or nail.
- It must not be allowed to collapse, kink or sag when the dryer is in its final installed position. Required turns in the exhaust system should be made with rigid elbows.
- Use the shortest duct length possible. Don't exceed the maximum allowable duct length specified in the installation instructions.
- Stretch the duct to its maximum length.
- To reduce the risk of fire, **NEVER USE PLASTIC OR OTHER COMBUSTIBLE DUCTWORK.**

NOTE: In special installations where it is impossible to use all metal rigid or all metal flexible duct for transition venting, UL Listed clothes dryer transition duct may be used. The following additional precautions should be followed if this type of ducting is used.

- Never use transition duct beyond the wall, ceiling or floor inside the dryer.
  - Avoid resting the duct on sharp objects.
- Please refer to the installation instructions for additional exhaust information.

### 5. Sealing Of Joints

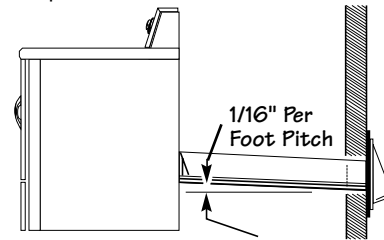
All duct joints should avoid leaks. Duct joints should be made air and moisture tight by wrapping the overlapped joints with duct tape. The male ends of each section of duct should point away from the dryer.

**Do not assemble the ductwork with screws or other fasteners that extend into the duct. They will serve as a collection point for lint.**

### 6. Water Condensation

Condensation in a dryer exhaust system is caused by the moisture in the exhausted air contacting the cold inner surfaces of the ductwork. Condensation, which forms at the beginning of the drying cycle, will dissipate quickly after the ductwork becomes heated. If the ductwork passes through an area which keeps it cool throughout the drying cycle, considerable condensation within the duct can be expected. This can result in rapid accumulation of lint in the ductwork.

Ductwork which runs through an unheated area or is situated adjacent to an air conditioning duct should be insulated to avoid such condensation problems. Joints should be tight to avoid leaks and, where feasible, the duct should be dropped 1/16" per foot toward the termination.



### 7. Accessibility For Cleaning

Since it may be necessary from time to time to remove lint from the inside of the ductwork, it is important that the exhaust system be installed with a provision for periodic inspection and cleaning. Some provision should be made for access to turns and straight runs of duct installed in an enclosed area, such as above plastered ceilings. Special consideration should be given to the amount of maintenance required for roof caps on vertical installations, since the user cannot be expected to make frequent inspections or cleanings.

### 8. In Line Exhaust (Booster) Fans

Use of In Line exhaust (booster) fan for single unit installation is not recommended:

- Operator may forget to turn it on.
- It may block.
- It may fail without Operator noticing it.

### Single Family-Type Dwellings

For more detailed information, refer to the installation instructions for the specific dryer model selected.

### Mobile or Manufactured Home Installation

Gas Dryer installation must conform with local Gas Codes and with CGA B149.1 or B149.2 (Installation code for Gas Burning Appliances and Equipment).

All Dryer Installations must conform to Manufactured Home Construction and Safety Standard, Title 24 CFR, Part 32-80. The dryer MUST be exhausted to the outdoors with the termination securely fastened to the mobile home structure. The exhaust MUST NOT be directed underneath the mobile home.

See pages 162-163 for warranty information.



## Spacemaker® Portable/Stationary Models

Individual Spacemaker Washers	GE			
	Stationary WLSL1100A	Portable WSLP1100A	Stationary WSKS2060W	Portable WSKP2060W
<b>Capacity</b>				
Capacity	Extra-Large	Extra-Large	Compact	Compact
<b>Features</b>				
Wash/spin speed combinations	1	1	2	2
Wash/rinse temperatures	4	4	3	3
Water levels	4	4	4	4
Number of cycles	10	10	6	6
Cycle countdown	Digital	Digital		
Regular				
Heavy Soil	●	●	●	●
Medium Soil	●	●	●	●
Perm. Press				
Medium Soil	●	●	●	●
Light Soil	●	●	●	●
Delicates	●	●	●	●
Spin only	●	●	●	●
One touch load sensing	●	●		
Automatic cool down	●	●		
Bleach dispenser	●	●	●	●
Fabric softener dispenser	●	●		
Automatic detergent dispenser	●	●		
Lint filter	2 Removable	2 Removable	●	●
Quiet pump	●	●	●	●
Easy-roll rollers		●	●	●
Unicouple connector		●		●
Basket material	Stainless Steel	Stainless Steel	PermaTuf II™	PermaTuf II
<b>Appearance</b>				
Colors available*	WW	WW, WH	White with granite-look top	White with granite-look top
<b>Weights &amp; Dimensions</b>				
Circuit requirements	120V, 60 Hertz, 15 or 20 Amps			
Dimensions (HxWxD in inches)**	37-1/2† x 23-5/8 x 26	38 x 23-5/8 x 26	34-1/4 x 22-1/4 x 24	34 x 22-1/4 x 24
Approx. shipping wt. (lbs.)	114	116	109	109

\*Colors available: WW = White on white, WH = White with black controls.

\*\*Depth measured from front of control knob.

†With leveling legs extended.

Individual Spacemaker Dryers	GE	
	DSKS433EB	DSKP233EW*
<b>Capacity</b>		
Capacity	Compact	Compact
<b>Features</b>		
Dry control	Automatic	Automatic
Heat selections	4	2 (timer)
Number of dry cycles	3	3
Auto. Reg.— Perm. Press		●
Auto. Perm. Press & Delicate	●	
Auto. Reg.	●	
Timed Regular (min.)	140	105
Air Fluff (min.)	(Heat Selection)	10
Separate start switch	●	●
Control location	Mid-Band	Top
End-of-cycle signal		●
Lint filter	Upfront	Back of Drum
<b>Appearance</b>		
Colors available**	WW	WH
<b>Weight &amp; Dimensions</b>		
Exhaust options***	4-Way	Rear
Circuit requirements	240/208V†, 60 Hertz, 30 Amp	120V, 60 Hertz, 30 Amp
Power cord	No Cord	6 feet
Dimensions (HxWxD in inches)	33-1/4 x 23-7/8 x 24-1/2	32 x 23-7/8 x 23-5/8
Wall-mount kit (available at additional cost)	WMK-35	
Approx. shipping wt. (lbs.)	108	100

\*Dryer comes equipped with casters and stationary leveling legs.

DSKP233EW approved for DSR24RW only.

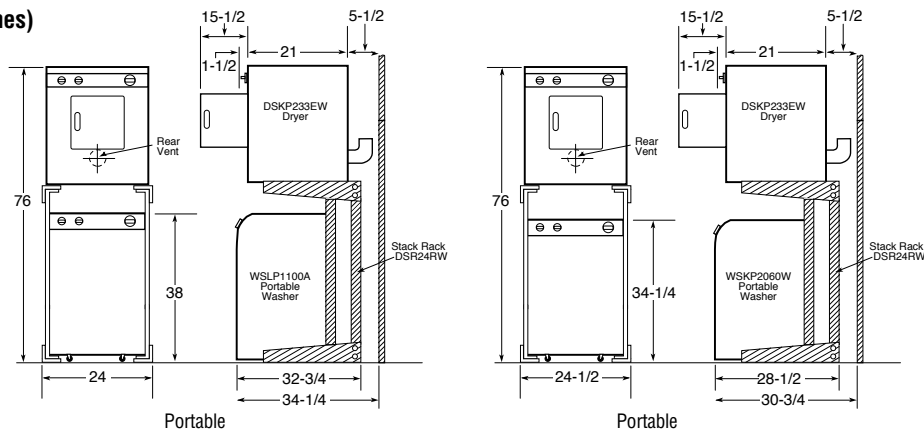
\*\*Colors available: WW = White on white, WH = White with black controls.

\*\*\*DSKS433EB shipped exhausted through the top. DSKP233EW exhausted to rear only.

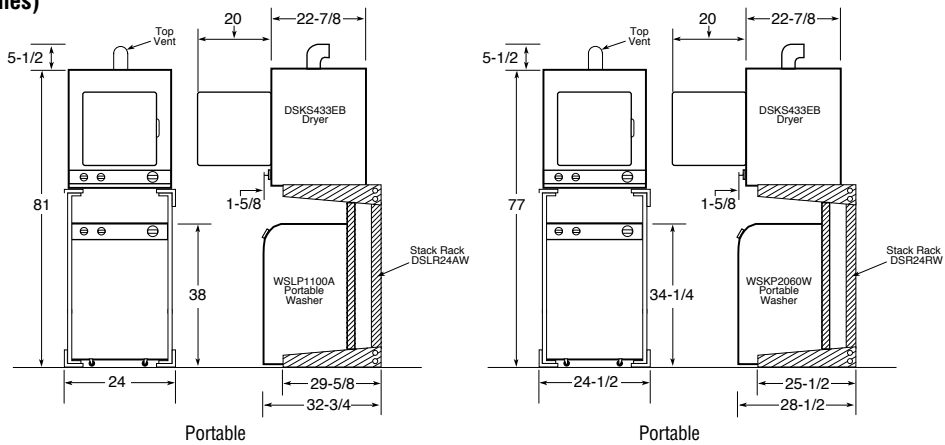
†240/208 volt outlet: Rear-mounted outlet on DSKS433EB approved for use with Washer/Dryer Stack Rack DSR24RW or DSLR24AW.

**Circuit Requirements:** An individual, properly-grounded branch circuit of the proper voltage and frequency as specified on the rating plate, with no other appliances or fixtures in circuit, is required.

### Rear Vent Installation Dimensions (in inches)



### Top Vent Installation Dimensions (in inches)



See pages 162 for warranty information.

## Unitized GE Spacemaker® Washers and Dryers

	GE			
	WSM2700W		WSM2420T	
Electric	Washer		Dryer	
Gas	Washer		Dryer	
<b>Capacity</b>	X-Large	X-Large	Compact	Compact
<b>Features</b>				
Wash/spin speed combinations	1		2	
Wash/rinse temperatures	3		3	
Water levels	3		3	
Number of wash cycles	3		3	
Regular	•		•	
Perm. Press	•		•	
Delicates	•		•	
Unbalanced load control	•		•	
Lint filter	•		•	

<b>Dryer</b>				
<b>Features</b>				
Automatic dry control		•		•
Number of dry cycles		4		4
Auto Regular		•		•
Auto Perm Press				•
Delicates		•		
Timed		•		•
Air Fluff		•		•
Control location		Mid-Band		Mid-Band
Exhaust options		Rear		Rear/Sides
<b>Appearance</b>				
Colors available*	WW, CC	WW	WW, CC	WW
<b>Weight &amp; Dimensions</b>				
Dimensions (HxWxD in inches)	75-1/2 x 30-13/16**		71-3/4 x 23-7/8 x 27-1/4**	
Approx. shipping wt. (lbs.)	300		238	

\*WW = White on white, CC = Bisque on bisque  
 \*\*Depth dimension assumes water hook-up is recessed in the wall.  
 Note: The third prong on the WSM2780W plug configuration is a flat spade type rather than a typical round probe. It requires a matching wall outlet.

### Electrical Requirements for Unitized Spacemaker® Dryers

**WSM2700W: Electric Dryer**—This appliance should be connected to an individual, properly-grounded branch circuit with 120/240V or 120/208V single-phase 60 Hz electrical service and should be protected by 30-amp time-delay fuses or circuit breakers. This appliance is manufactured with neutral connected to the frame. Power cord should be purchased separately.

**WSM2420T: Electric Dryer**—This appliance should be connected to an individual, properly-grounded branch circuit with 120/240V single-phase 60Hz electrical service and should be protected by 30-amp time-delay fuses or circuit breakers. This appliance is manufactured with the neutral connected to the frame. Power cord should be purchased separately.

**NOTE:** THESE APPLIANCES ARE NOT APPROVED FOR 120-VOLT OPERATION.

**WSM2480T: Gas Dryer**—This appliance should be connected to an individual, properly-grounded branch circuit with a three-prong grounding-type receptacle and 120-volt single-phase 60 Hz electrical service and should be protected by 15 or 20-amp time-delay fuses or circuit breakers. This appliance is equipped with a 6-foot long flexible U.L. listed 20-amp power cord to match a 15-amp receptacle.

**Gas Rated** input 10,500 BTU/HR. Factory equipped for natural gas. Tested for LP gas.

**WSM2780W: Gas Dryer**—This appliance should be connected to an individual branch circuit with 120-volt single-phase 60 Hz electrical service and should be protected by 20-amp time-delay fuses or circuit breakers. This appliance is equipped with a 4-foot long flexible U.L. listed 20-amp power cord to match a 20-amp receptacle.

**Gas Rated** input 20,000 BTU/HR. Factory equipped for natural gas.

**LP gas supply requires a conversion kit.**

Kits: WSM2780W—WE25X206  
 WSM2480T—WE25X0219

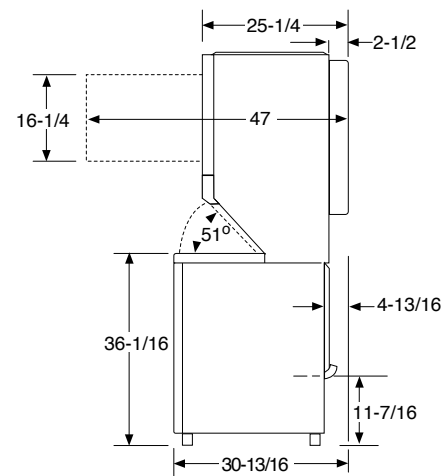
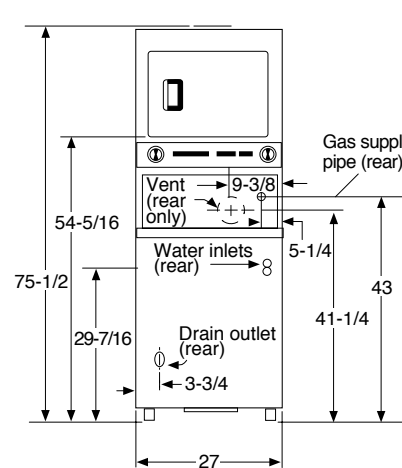
Have a qualified gas technician install a conversion kit before use.

### Exhaust Information

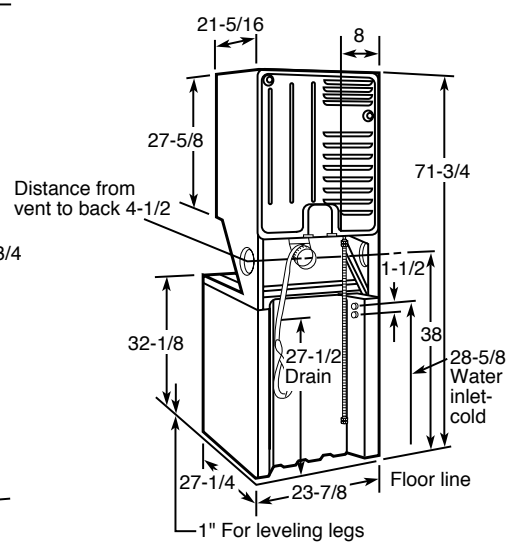
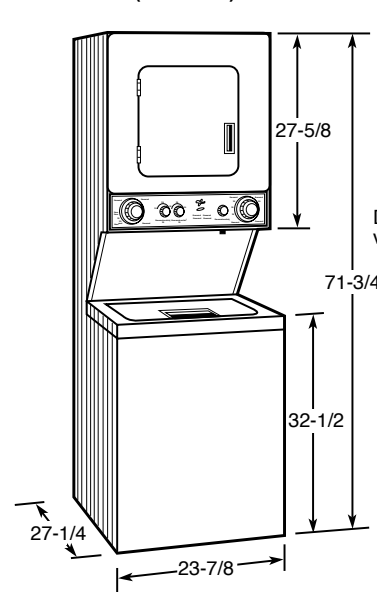
See "Dryer Exhausting Information" on page 235.

For complete information see installation instructions packed with the product.

### Models WSM2700W and WSM2780W Dimensions (in inches)



### Models WSM2420T and WSM2480T Dimensions (in inches)



GEAppliances.com

Refrigeration

Cooking Products

Microwave Ovens

Dishwashers

Clothes Care

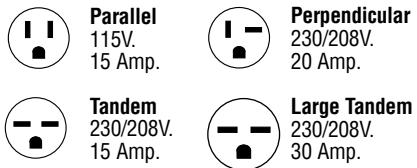
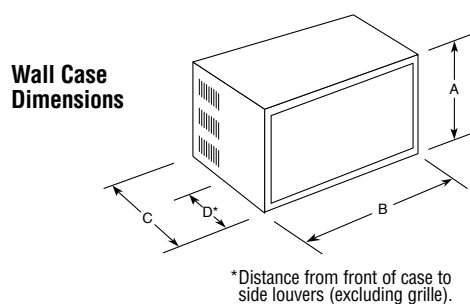
Air Conditioning

See pages 162-163 for warranty information.

## Air Conditioners

Features	ENERGY STAR®								Electronic		
	230 Volt		115 Volt						230 Volt		
	ASM24DC	AGM18DA	AGM14AA	AGM12AA	AGM10AA	AGM08FB	AGM06LA	AGM05LA	AGQ24DA	AGQ18DA	AGQ12DA
BTUH	23,700/23,100	17,800/17,300	13,800	12,000	10,000	8,000	5,950	5,200	23,800/23,300	18,000/17,500	12,000/11,500
Voltage	230/208	230/208	115	115	115	115	115	115	230/208	230/208	230/208
E.E.R. (BTUH/Watt)	9.4/9.4	10.7/10.7	10.8	10.8	10.8	10.8	10.8	10.8	8.5/8.5	9.7/9.7	9.8/9.8
Amps	11.3/12.3	7.8/8.3	12.0	10.2	8.5	6.8	5.0	4.4	12.7/13.7	8.2/8.9	5.5/5.8
Watts	2,530/2,470	1,670/1,620	1,280	1,110	920	710	550	480	2,800/2,740	1,850/1,800	1,220/1,170
Plug type	Perpendicular	Tandem	Perpendicular	Parallel	Parallel	Parallel	Parallel	Parallel	Perpendicular	Tandem	Tandem
Energy Saver feature	●	●	●	●	●	●	●	●	●	●	●
Dehumidification (pints/hr.)	7.2	5.5	4.8	3.3	3.3	2.3	1.8	1.4	7.5	5.5	3.3
Circulaire™	●	●	●	●	●	●	●	●	●	●	●
ENERGY STAR®	●	●	●	●	●	●	●	●	●	●	●
Fan speeds (Cool/Fan Only)	3/3	3/3	3/3	3/3	3/3	3/3	3/3	3/3	3/3	3/3	3/3
CFM (High Shown) (Indoor)	540	460	420	300	280	220	190	140	560	440	280
Vent/exhaust	Exhaust	Exhaust	Exhaust	Exhaust	Exhaust	Exhaust	Exhaust	Exhaust	Exhaust	Exhaust	Exhaust
Thermostat	Electronic	Electronic	Electronic	Electronic	Electronic	Electronic	Electronic	Electronic	Electronic	Electronic	Electronic
Filter type	One Touch Lift-Out	Rigid Frame/Slide-Out	Rigid Frame/Slide-Out	Rigid Frame/Slide-Out	Rigid Frame/Slide-Out	Rigid Frame/Slide-Out	Rigid Frame/Slide-Out	Rigid Frame/Slide-Out	Rigid Frame/Slide-Out	Rigid Frame/Slide-Out	Rigid Frame/Slide-Out
Chassis	Slide-Out	Slide-Out	Slide-Out	Slide-Out	Slide-Out	Slide-Out	Slide-Out	Slide-Out	Slide-Out	Slide-Out	Slide-Out
Window Mounting	EZ Mount	EZ Mount	EZ Mount	EZ Mount	EZ Mount	EZ Mount	EZ Mount	EZ Mount	EZ Mount	EZ Mount	EZ Mount
Window Opening Height (min. in inches)	17-3/8	18	18	16	16	14	14	13	18	18	16
Window Opening Width (in inches) min.	30	29	29	27	27	22	22	22	29	29	27
max.	41	41	41	39	39	36	36	36	41	41	39
<b>Case Dimensions</b>											
Height (in inches) A	16-3/4	16-27/32	16-27/32	15	15	13-7/8	13-7/8	12-9/32	16-27/32	16-27/32	15
Width (in inches) B	26	26	26	23-5/8	23-5/8	18-9/16	18-9/16	18-9/16	26	26	23-5/8
Depth (in inches) C	27-3/16	28-21/32	24-15/16	20-9/32	20-9/32	19-5/32	19-5/32	13-27/32	28-21/32	24-15/16	20-9/32
Depth to louvers (in inches) D	9-1/4	10-5/16	10-5/16	8-5/8	8-5/8	8-1/2	8-1/2	5	10-5/16	10-5/16	8-5/8
Net Weight (lbs.)	147	120	115	100	95	66	55	48	146	120	95
Approx. Shipping Weight (lbs.)	163	133	124	106	101	72	61	52	160	133	101

Features	Electronic						Mechanical							
	115 Volt						230 Volt		115 Volt					
	AGQ14AA	AGQ12AA	AGQ10AA	AGQ08FA	AGQ06LA	AGQ05LA	AGV24DB	AGV18DD	AGV14AA	AGV12AD	AGV10AD	AGV08FB	ASV06LC	ASV05LC
BTUH	13,800	12,000	10,000	8,000	6,000	5,200	23,800/23,300	17,800/17,300	13,800	12,000	10,000	8,000	6,000	5,200
Voltage	115	115	115	115	115	115	230/208	230/208	115	115	115	115	115	115
E.E.R. (BTUH/Watt)	10.0	9.8	9.8	10.0	9.7	9.7	8.5/8.5	9.7/9.7	10.0	9.8	9.8	10.0	9.8	9.8
Amps	12.0	11.0	9.2	7.3	5.8	5.0	12.7/13.7	8.2/8.9	12.0	11.0	9.2	7.3	5.6	4.8
Watts	1,380	1,220	1,020	800	620	535	2,800/2,740	1,840/1,780	1,380	1,220	1,020	800	610	530
Plug Type	Parallel	Parallel	Parallel	Parallel	Parallel	Parallel	Perpendicular	Tandem	Parallel	Parallel	Parallel	Parallel	Parallel	Parallel
Energy Saver Feature	●	●	●	●	●	●	●	●	●	●	●	●	●	●
Dehumidification (pints/hr.)	4.6	3.3	3.0	2.3	1.8	1.4	7.5	5.5	4.6	3.3	3.0	2.3	1.6	1.5
Circulaire™	●	●	●	●	●	●	●	●	●	●	●	●	●	●
Fan Speeds (Cool/Fan Only)	3/3	3/3	3/3	3/3	3/3	3/3	3/2	3/2	3/2	3/2	3/2	3/2	3/2	3/2
CFM (High Shown) (Indoor)	420	280	265	210	150	140	560	440	420	280	265	210	190	150
Vent/exhaust	Exhaust	Exhaust	Exhaust	Exhaust	Exhaust	Exhaust	Exhaust	Exhaust	Exhaust	Exhaust	Exhaust	Exhaust	Exhaust	Exhaust
Thermostat	Electronic	Electronic	Electronic	Electronic	Electronic	Electronic	8-Position	8-Position	8-Position	8-Position	8-Position	8-Position	8-Position	8-Position
Filter Type	Rigid Frame/Slide-Out	Rigid Frame/Slide-Out	Rigid Frame/Slide-Out	Rigid Frame/Slide-Out	Rigid Frame/Slide-Out	Rigid Frame/Slide-Out	Rigid Frame/Slide-Out	Rigid Frame/Slide-Out	Rigid Frame/Slide-Out	Rigid Frame/Slide-Out	Rigid Frame/Slide-Out	Rigid Frame/Slide-Out	Rigid Frame/Slide-Out	One Touch Lift-Out
Chassis	Slide-Out	Slide-Out	Slide-Out	Slide-Out	Fixed	Fixed	Slide-Out	Slide-Out	Slide-Out	Slide-Out	Slide-Out	Slide-Out	Slide-Out	Fixed
Window Mounting	EZ Mount	EZ Mount	EZ Mount	EZ Mount	EZ Mount	EZ Mount	EZ Mount	EZ Mount	EZ Mount	EZ Mount	EZ Mount	EZ Mount	EZ Mount	EZ Mount
Window Opening Height (min. in inches)	16	16	14	14	13	13	18	18	16	16	14	14	14-3/4	12-7/8
Window Opening Width (in inches) min.	27	27	22	22	22	22	29	29	27	27	22	22	25-1/2	22
max.	39	39	36	36	36	36	41	41	39	39	36	36	37	36
<b>Case Dimensions</b>														
Height (in inches) A	15	15	13-7/8	13-7/8	12-9/32	12-9/32	16-27/32	16-27/32	15	15	13-7/8	13-7/8	13-19/32	12-3/8
Width (in inches) B	23-5/8	23-5/8	18-9/16	18-9/16	18-9/16	18-9/16	26	26	23-5/8	23-5/8	18-9/16	18-9/16	20-1/2	17-13/16
Depth (in inches) C	20-9/32	20-9/32	19-5/32	19-5/32	13-27/32	13-27/32	28-21/32	24-15/16	20-9/32	20-9/32	19-5/32	19-5/32	17-17/32	12-7/16
Depth to louvers (in inches) D	8-5/8	8-5/8	8-1/2	8-1/2	5	5	10-5/16	10-5/16	8-5/8	8-5/8	8-1/2	8-1/2	7-5/32	4-31/32
Net Weight (lbs.)	100	95	75	64	48	44	146	120	100	95	75	64	64	48
Approx. Shipping Weight (lbs.)	106	101	81	70	52	48	160	133	106	101	81	70	71	57



**Wall Outlets**  
All wiring, including installation of receptacle, must be made in accordance with local electrical codes and regulations. Electrical outlet should be in reach of line cord.  
**Note:** Aluminum building wiring may pose special problems—consult a qualified electrician.

**Note:** When installing slide-out chassis units in through-the-wall applications, keep louvers free. Do not restrict air flow areas. Fixed chassis units are not suitable for through-the-wall applications.  
**Note:** Some models may not be available in your area due to local legislation. Contact your local dealer.

See page 163 for warranty information.  
240





## Built-In “J” Series and Heat Pumps

Models	GE									
	Chassis/Cool						Chassis/Cool High-Mount			
	AJCS06LCA	AJCS08ACA	AJCS10ACA	AJCS09DCA	AJCS10DCA	AJCS12DCA	AJCH08ACA	AJCH10ACA	AJCH10DCA	AJCH12DCA
<b>Capacity</b>										
BTUH-AHAM	6000	8000	9900	8900/8700	9900/9700	11,600/11,400	8000	9900	9900/9700	11,600/11,400
E.E.R.	9.5	9.2	9.2	9.5/9.5	9.2/9.2	9.0/9.0	9.2	9.2	9.2/9.2	9.0/9.0
Dehumidification (pints/hr.)	1.4	2.0	2.7	2.5	2.7	3.2	2.0	2.7	2.6	3.2
<b>Features</b>										
Fan speeds (Cool/Fan Only)	2/2	2/2	2/2	2/2	2/2	2/2	2/2	2/2	2/2	2/2
Airflow (cfm) roomside hi/low	210/180	250/210	250/210	250/210	250/210	265/230	250/210	250/210	250/210	265/230
Air exchange exhaust	•	•	•	•	•	•	•	•	•	•
Variable setting thermostat	•	•	•	•	•	•	•	•	•	•
Filter type	Slide-Out	Slide-Out	Slide-Out	Slide-Out	Slide-Out	Slide-Out	Slide-Out	Slide-Out	Slide-Out	Slide-Out
Rotary compressor	•	•	•	•	•	•	•	•	•	•
<b>Economical/Quiet</b>										
Fan cycle switch	•	•	•	•	•	•	•	•	•	•
<b>Appearance</b>										
Slide-out chassis	•	•	•	•	•	•	•	•	•	•
Installation	Wall	Wall	Wall	Wall	Wall	Wall	Wall	Wall	Wall	Wall
Wall case required	RAB46/47/48	RAB46/47/48	RAB46/47/48	RAB46/47/48	RAB46/47/48	RAB46/47/48	RAB46/47/48	RAB46/47/48	RAB46/47/48	RAB46/47/48
<b>Weights &amp; Dimensions</b>										
Height (in inches) A	← 15-5/8 →						← 15-5/8 →			
Width (in inches) B	← 26 →									
Depth (in inches) C	← 16-7/8 →						← 16-7/8 →			
Approx. net weight (lbs.)	66	73	82	75	82	84	75	82	84	84
Approx. shipping weight (lbs.)	75	82	90	84	90	93	84	90	93	93
<b>Power/Ratings</b>										
Voltage	115	115	115	230/208	230/208	230/208	115	115	230/208	230/208
Amps-AHAM	5.7	7.9	9.7	4.2/4.6	4.9/5.3	5.8/5.3	7.9	9.7	4.9/5.3	5.8/6.3
Watts input	630	870	1075	935/915	1075/1055	1290/1265	870	1075	1075/1055	1290/1265
Line cord plug	Parallel	Parallel	Parallel	Tandem	Tandem	Tandem	Parallel	Parallel	Tandem	Tandem
Recommended circuit protection (time delay)	15 Amps	15 Amps	15 Amps	15 Amps	15 Amps	15 Amps	15 Amps	15 Amps	15 Amps	15 Amps

Models	GE					
	Chassis/Heat/Cool			Chassis/Heat/Cool High-Mount	Chassis/Heat Pumps	
	AJES09DCA	AJES10DCA	AJES12DCA	AJEH12DCA	AJHS08DCA	AJHS10DCA
<b>Capacity</b>						
BTUH-AHAM	8900/8700	9900/9700	11,600/11,400	11,600/11,400	8000/7800	9800/9600
E.E.R.	9.5/9.5	9.2/9.2	9.0/9.0	9.0/9.0	9.2/9.2	9.2/9.2
Dehumidification (pints/hr.)	2.5	2.6	3.2	3.2	2.0	2.6
<b>Features</b>						
Fan speeds (Heating/Cooling)	2/2	2/2	2/2	2/2	2/2	2/2
Fan Only speeds	2	2	2	2	2	2
Airflow (cfm) roomside hi/low	250/210	250/210	265/230	265/230	230/190	250/210
Air exchange exhaust	•	•	•	•	•	•
Variable setting thermostat	•	•	•	•	•	•
Filter type	Slide-Out	Slide-Out	Slide-Out	Slide-Out	Slide-Out	Slide-Out
Rotary compressor	•	•	•	•	•	•
<b>Economical/Quiet</b>						
Fan cycle switch	•	•	•	•	•	•
<b>Appearance</b>						
Slide-out chassis	•	•	•	•	•	•
Wall case required	RAB46/47/48	RAB46/47/48	RAB46/47/48	RAB46/47/48	RAB46/47/48	RAB46/47/48
Installation	Wall	Wall	Wall	Wall	Wall	Wall
Window installation kit	Optional	Optional	Optional	Optional	Optional	Optional
<b>Weights &amp; Dimensions</b>						
Height (in inches) A	← 15-5/8 →					
Width (in inches) B	← 26 →					
Depth (in inches) C	← 16-7/8 →					
Approx. net weight (lbs.)	77	84	84	86	75	84
Approx. shipping weight (lbs.)	86	93	93	95	84	93
<b>Power/Ratings</b>						
Voltage	230/208	230/208	230/208	230/208	230/208	230/208
Amps-AHAM	4.2/4.6	4.9/5.3	5.8/6.3	5.8/6.3	4.0/4.3	4.9/5.3
Watts input	935/915	1075/1055	1290/1265	1290/1265	870/850	1065/1045
Line cord plug	Perpendicular	Perpendicular	Perpendicular	Perpendicular	Perpendicular	Perpendicular
Recommended circuit protection (time delay)	20 Amps	20 Amps	20 Amps	20 Amps	20 Amps	20 Amps
<b>Reverse Cycle Heating</b>						
BTUH-AHAM					7700/7500	9700/9500
C.O.P. @ 47°F					3.0	3.0
Amps-AHAM					3.4/3.7	4.3/4.7
Watts input					750/730	950/930
<b>Electric Resistance Heating</b>						
BTUH-AHAM	11,600/9,480	11,600/9,480	11,600/9,480	11,600/9,480	11,600/9,480	11,600/9,480
Amps (Max. connected load)	16.0	16.0	16.0	16.0	16.0	16.0
Watts output	3400/2780	3400/2780	3400/2780	3400/2780	3400/2780	3400/2780

All cooling with electric heat models and heat pumps are corrosion treated. Specifications and design subject to change without notice.

See page 163 for warranty information.



Refrigeration

Advantium™ Ovens

Microwave Ovens

Dishwashers

Clothes Care

Air Conditioning

## Heat/Cool and Window/Built-In "J" Series and Heat Pumps

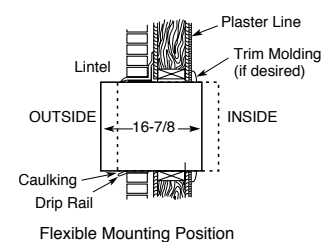
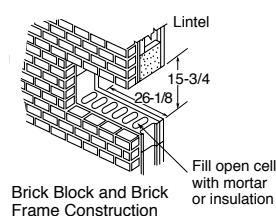
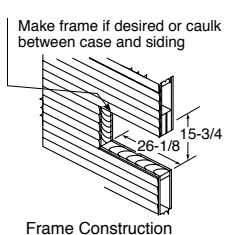
Features	GE Heat/Cool			GE "J" Series						
	Heat/Cool Units			Heat/Cool Units			Heat Pump	Cooling Only Units		
	AGE21DA	AGE18DA	AGE14DA	AJES10DSA	AJES08ASA*	AJES06LSA*	AJHS08ASA*	AJCS10AZA	AJCS08AZA	AJCS06LZA
Cooling BTUH-AHAM	21,000/TBD	17,600/17,200	14,000/13,500	9,900/9,700	8,000	6,000	8,000	9,900	8,000	6,000
Heating BTUH-AHAM	TBD	TBD	TBD							
Voltage	230/208	230/208	230/208	230/208	115	115	115	115	115	115
E.E.R. (BTUH/Watt)	8.5/8.5	9.7/9.7	9.7/9.7	9.2/9.2	9.2	9.5	9.2	9.2	9.2	9.5
Rated cooling amps - AHAM	TBD	8.3/9.0	TBD	4.9/5.3	7.9	5.7	7.9	9.7	7.9	5.7
Cooling watts	TBD	1,850/1,800	TBD	1,075/1,055	870	630	870	1,075	870	630
Circuit size, amps	20	20	20	20	15	15	15	15	15	15
Plug type (see below)	Tandem/Rt. Angle	Tandem/Rt. Angle	Tandem/Rt. Angle	Perpendicular	Parallel	Parallel	Parallel	Parallel	Parallel	Parallel
Line cord plug recommended circuit protection (time delay)	20 Amps	20 Amps	20 Amps	20 Amps	15 Amps	15 Amps	15 Amps	15 Amps	15 Amps	15 Amps
Line cord length	52" right	52" right	52" right	65" right	72" right	72" right	72" right	72" right	72" right	72" right
Dehumidification (pints/hr.)	TBD	5.5	TBD	2.6	2.0	1.4	2.0	2.7	2.0	1.4
Circulaire™	●	●	●							
CFM (high shown)	TBD	425	TBD	250	250	210	230	250	250	210
Air exchange exhaust	●	●	●	●	●	●	●	●	●	●
Variable air discharge	4-Way	4-Way	4-Way	4-Way	4-Way	4-Way	4-Way	4-Way	4-Way	4-Way
Control Door	●	●	●	●	●	●	●	●	●	●
Fan speeds: Cooling/Heating	2/2	2/2	2/2	2/2	2/2	2/2	2/2	2	2	2
Fan Only position	1	1	1	2	2	2	2	2	2	2
Fan cycle switch	●	●	●	●	●	●	●	●	●	●
Thermostat	8-Position	8-Position	8-Position	Variable Setting	Variable Setting	Variable Setting	Variable Setting	Variable Setting	Variable Setting	Variable Setting
Filter type	Rigid/Slide-Out	Rigid/Slide-Out	Rigid/Slide-Out	Slide-Out	Slide-Out	Slide-Out	Slide-Out	Slide-Out	Slide-Out	Slide-Out
Chassis	Slide-Out	Slide-Out	Slide-Out	Slide-Out	Slide-Out	Slide-Out	Slide-Out	Slide-Out	Slide-Out	Slide-Out
Compressor type	Rotary	Rotary	Rotary	Rotary	Rotary	Rotary	Rotary	Rotary	Rotary	Rotary
Window mounting	Rigid Panel	Rigid Panel	Rigid Panel	Standard	Standard	Standard	Standard	EZ Mount	EZ Mount	EZ Mount
Window opening height (min. in inches)	18	18	18	17	17	17	17	17	17	17
Window opening width (min. in inches)	29	29	29	31	31	31	31	31	31	31
Window opening width (max. in inches)	41	41	41	42	42	42	42	41	41	41
<b>Case Dimensions</b> (See drawing, page 71)										
Height (in inches) A	16-27/32	16-27/32	16-27/32	15-5/8	15-5/8	15-5/8	15-5/8	15-5/8	15-5/8	15-5/8
Width (in inches) B	26	26	26	26	26	26	26	26	26	26
Depth (in inches) C	24-15/16	24-15/16	24-15/16	16-7/8	16-7/8	16-7/8	16-7/8	16-7/8	16-7/8	16-7/8
Depth to louvers (in inches) D	10-15/16	10-15/16	10-15/16	None	None	None	None	None	None	None
Net weight (lbs.)	135	120	TBD	100	96	89	98	98	90	85
Approx. shipping weight (lbs.)	143	133	TBD	117	105	98	107	106	99	93
<b>Heating Capacity - Reverse Cycle</b>										
BTUH - AHAM - H.P.							7,700			
Rated Heating Amps - AHAM							6.8			
COP @ 47°							3.0			
<b>Heating Capacity - Electric</b>										
BTUH - AHAM - I <sup>2</sup> R	12,000/9,800	12,000/9,800	12,000/9,800	11,600/9,480	4,100	4,100	4,100			
Rating Heating Amps - AHAM	16/15	16/15	16/15	15.5/14.0	12.0	12.0	12.0			
Total Heating Load Watts	3,670/3,100	3,670/3,100	3,670/3,100	3,400/2,780	1,200	1,200	1,200			

\*These units are not intended to be the primary source of heat.

## Built-In Room Air Conditioners Wall Opening for RAB46/47/48 Cases

A finished opening of 26-1/8" x 15-3/4", clear of intrusions, is required. Keep clearance of 4" from side walls. Brick veneer or frame walls should have wood studding surrounding case to provide firm anchoring with screws. Case can be fastened directly to brick or block walls with screws sunk in lead expansion shields.

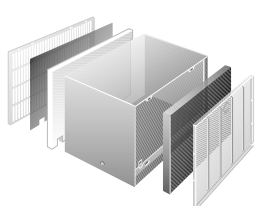
**Note:** Units should be caulked on all four sides of case to the building exterior to assure building integrity.



**Two Wall Cases for Tenant Option Installation**  
When the air conditioner is offered as a tenant option, these wall cases provide protection against outside elements.

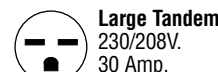
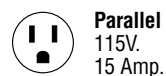
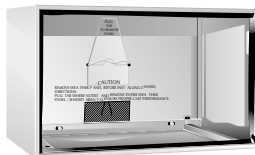
**RAB47**—includes wall case, exterior grille and steel closure panels.

**RAB48**—includes wall case, exterior grille, steel closure panel and two layers of insulation.



**Standard Wall Case RAB46**

Solid-sided wall case fabricated of galvanized steel with baked enamel finish. Welded areas are coated with a sealing compound to help resist rust and corrosion. Polymer gasket surrounds opening to assure tight weather seal. Aluminum grille (RAG13) is included. Panels on interior and between case and grille provide weather protection prior to installation of chassis.



### Wall Outlets

All wiring, including installation of receptacle, must be made in accordance with local electrical codes and regulations. Electrical outlet should be in reach of line cord.

**Note:** Aluminum wiring may pose special problems—consult a qualified electrician.

**Note:** Some models may not be available in your area due to local legislation. Contact your local dealer.

**Note:** When installing slide out chassis units in through-the-wall applications, keep louvers free. Do not restrict air flow areas. Fixed chassis units are not suitable for through-the-wall applications.



Listed by Underwriters Laboratories



Total capacity and E.E.R. ratings are calculated based on the Association of Home Appliance Manufacturers' standards.

See page 163 for warranty information.

242

## Dehumidifiers

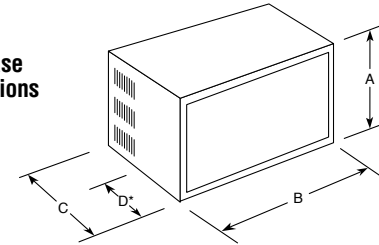
Features	GE		
	ENERGY STAR®	ENERGY STAR®	
	AHG50LC	AHG40FC	AHG30LB
Dehumidification (pints/day)	50	40	30
Dry Airflow (CFM)	125/115	125/115	TBD
Color	Cameo White	Cameo White	Cameo White
Auto Shut Off	●	●	●
Automatic Defrost	●	●	●
Water Full indicator	●	●	●
Fan speeds	2	2	2
Removable bucket with handle	●	●	●
Bucket capacity (pints)	21	21	21
External drain connector	●	●	●
Casters - 4 movable	●	●	●
Voltage	115	115	115
Watts	580	600	TBD
Amps	5.3	7.0	TBD
Circuit size (Amps)	15	15	15
Plug type	Parallel	Parallel	Parallel
Case Dimensions			
Height (in inches)	20-7/8	20-7/8	20-7/8
Width (in inches)	12-5/8	12-5/8	12-5/8
Depth (in inches)	17-1/8	17-1/8	17-1/8
Shipping weight (lbs.)	45	43	TBD
Net weight (lbs.)	39	38	TBD

## Air Conditioning: Slide-Aire

Features	Slide-Aire	
	AGX10AA	AGX08FA
BTUH	10,000	8,000
Voltage	115	115
E.E.R. (BTUH/Watt)	9.5	9.5
Amps	TBD	TBD
Watts	TBD	TBD
Plug Type	Parallel	Parallel
Energy Saver Feature		
Dehumidification (pints/hr.)	TBD	TBD
Circulaire™		
Fan Speeds (Cool/Fan Only)	3/2	3/2
CFM (High Shown) (Indoor)	TBD	TBD
Vent/exhaust	Exhaust	Exhaust
Thermostat	10-Position	10-Position
Filter Type	TBD	TBD
Chassis	Fixed	Fixed
Window Mounting	V-Std. Mount	V-Std. Mount
Window Opening Height (min. in inches)	21-1/2	21-1/2
Window Opening Width (in inches) min.	15-1/2	15-1/2
max.	40-1/2	40-1/2
Warranty* (Entire Unit)	Full 1-Yr.	Full 1-Yr.
Warranty* (Sealed Ref. System)	Full 5-Yr.	Full 5-Yr.
Case Dimensions (see drawing, page 71)		
Height (in inches) A	20-1/2	20-1/2
Width (in inches) B	14-1/2	14-1/2
Depth (in inches) C	23	23
Depth to louvers (in inches) D	TBD	TBD
Net Weight (lbs.)	TBD	TBD
Approx. Shipping Weight (lbs.)	TBD	TBD

GEAppliances.com

### Wall Case Dimensions



\*Distance from front of case to side louvers (excluding grille).



**Parallel**  
115V.  
15 Amp.



**Perpendicular**  
230/208V.  
20 Amp.



**Tandem**  
230/208V.  
15 Amp.



**Large Tandem**  
230/208V.  
30 Amp.

**Note:** When installing slide-out chassis units in through-the-wall applications, keep louvers free. Do not restrict air flow areas. Fixed chassis units are not suitable for through-the-wall applications.

**Note:** Some models may not be available in your area due to local legislation. Contact your local dealer.

### Wall Outlets

All wiring, including installation of receptacle, must be made in accordance with local electrical codes and regulations. Electrical outlet should be in reach of line cord.

**Note:** Aluminum building wiring may pose special problems—consult a qualified electrician.

Refrigeration

Advantium™ Ovens

Microwave Ovens

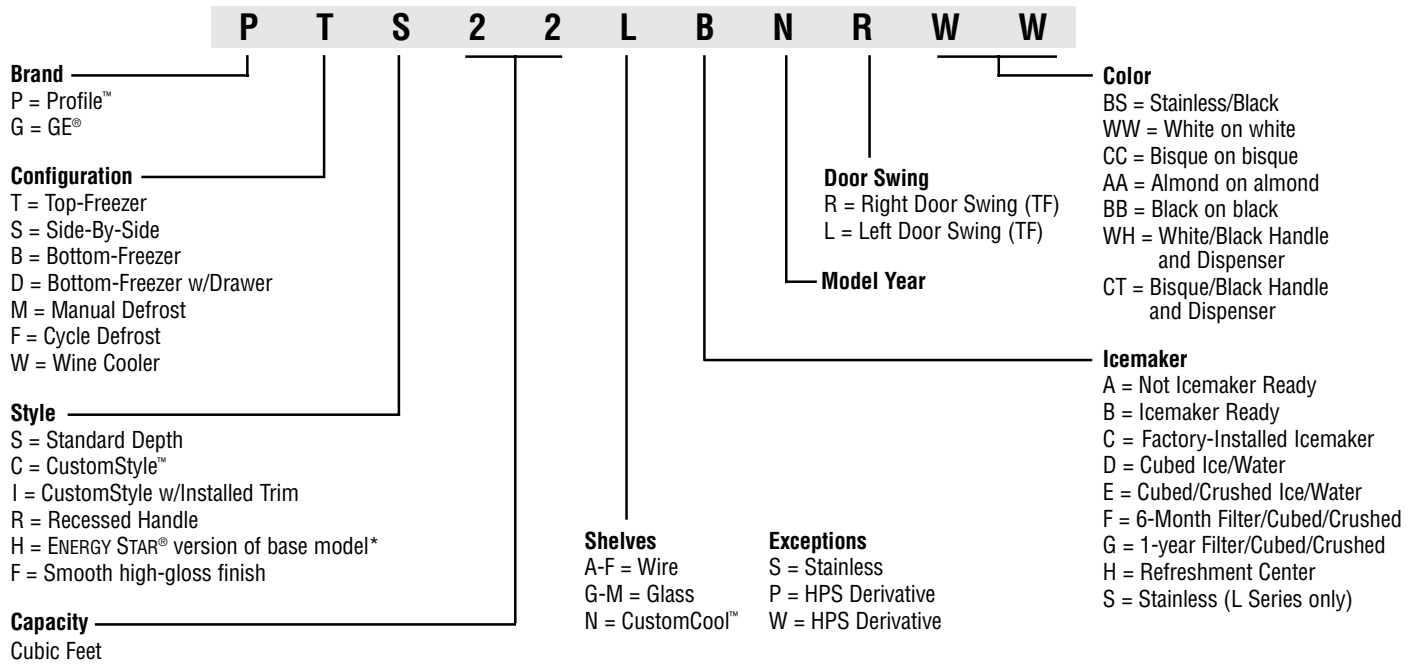
Dishwashers

Clothes Care

Air Conditioning

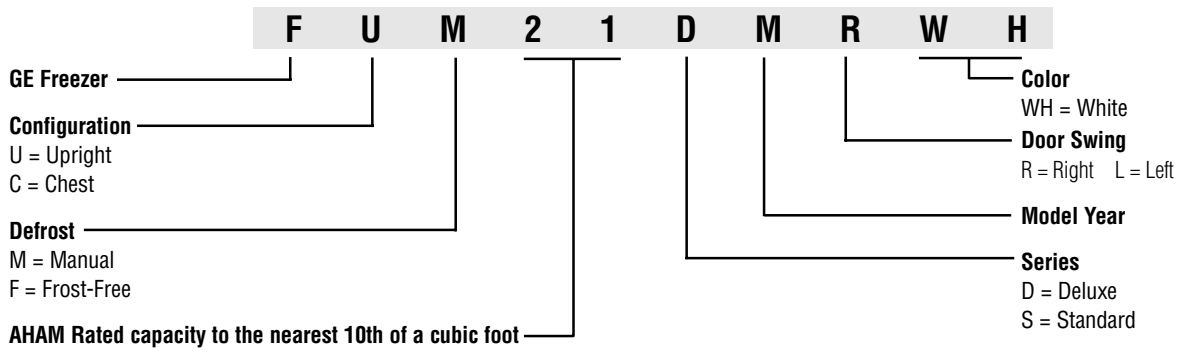
See page 163 for warranty information.

## Reading Refrigerator Nomenclature



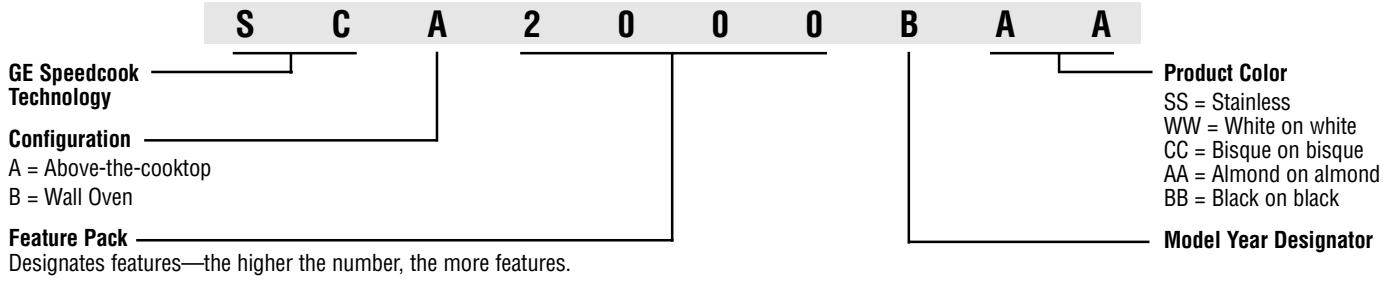
\*Some models are only produced in ENERGY STAR versions, see product specifications for details.

## Reading Freezer Nomenclature

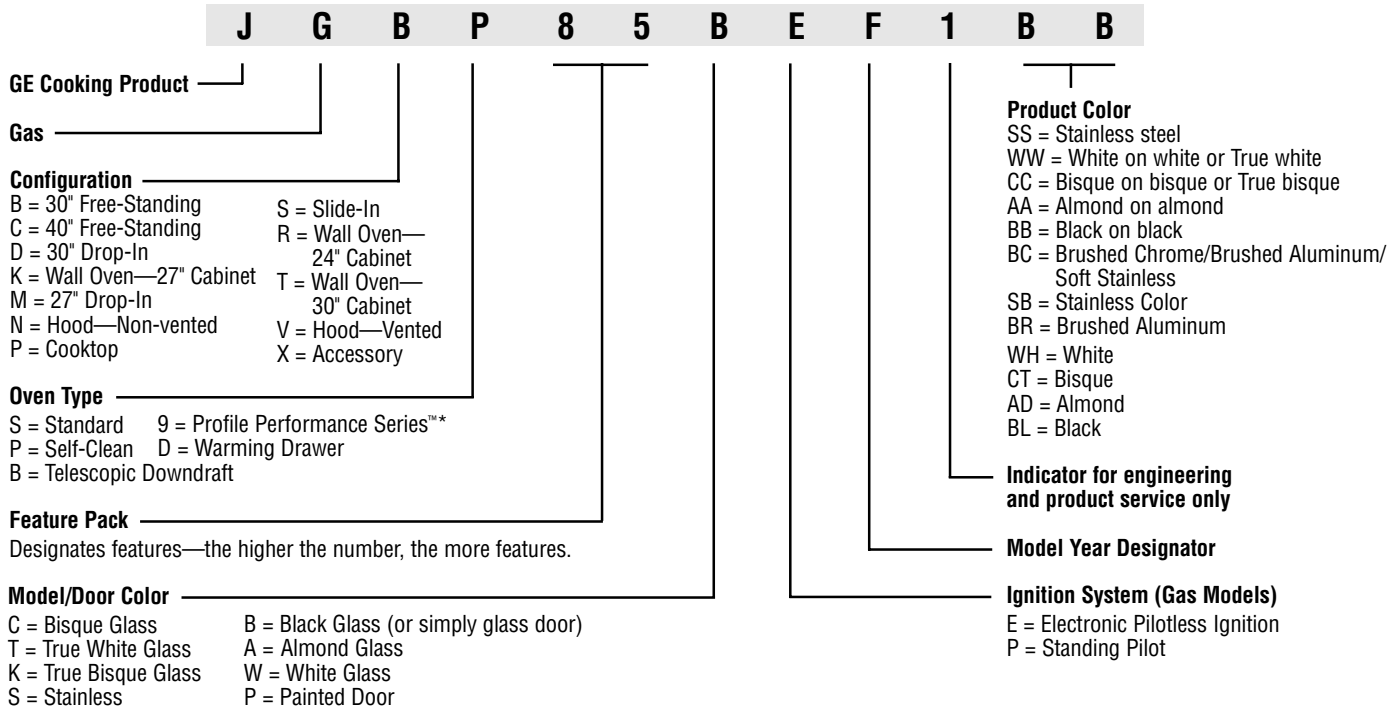




### Reading Advantium™ Oven Nomenclature

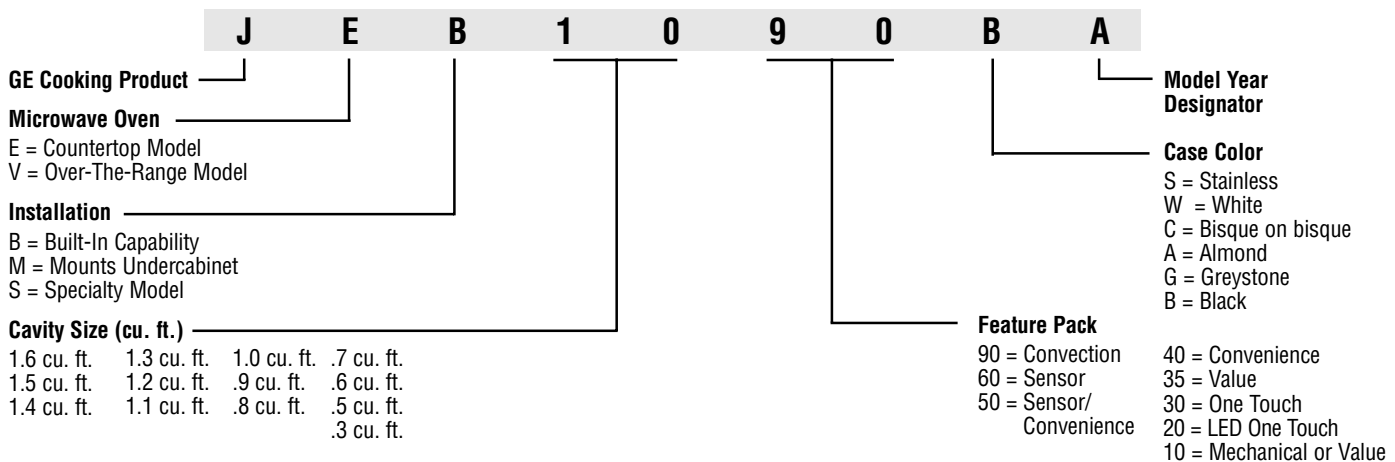


### Reading Cooking Nomenclature

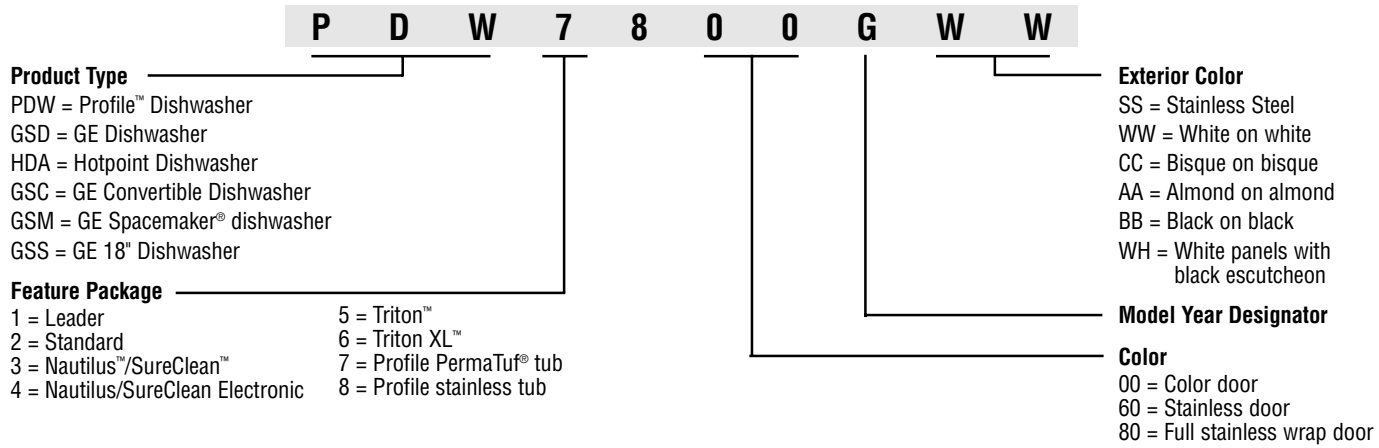


\*GE Profile Performance Series™ applies to free-standing only.

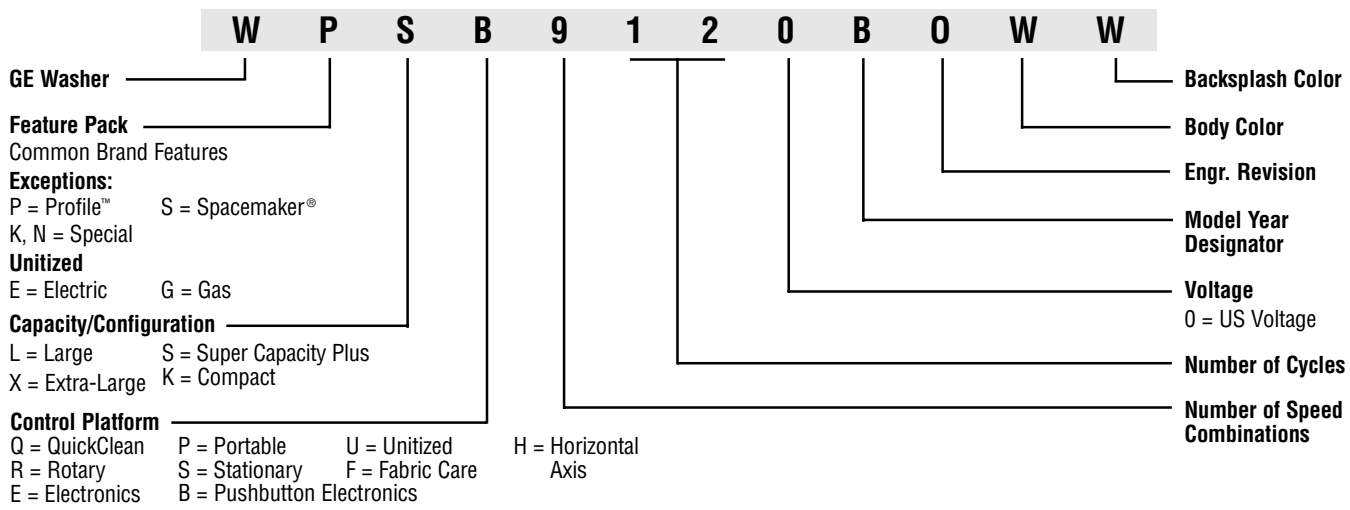
### Reading Microwave Nomenclature



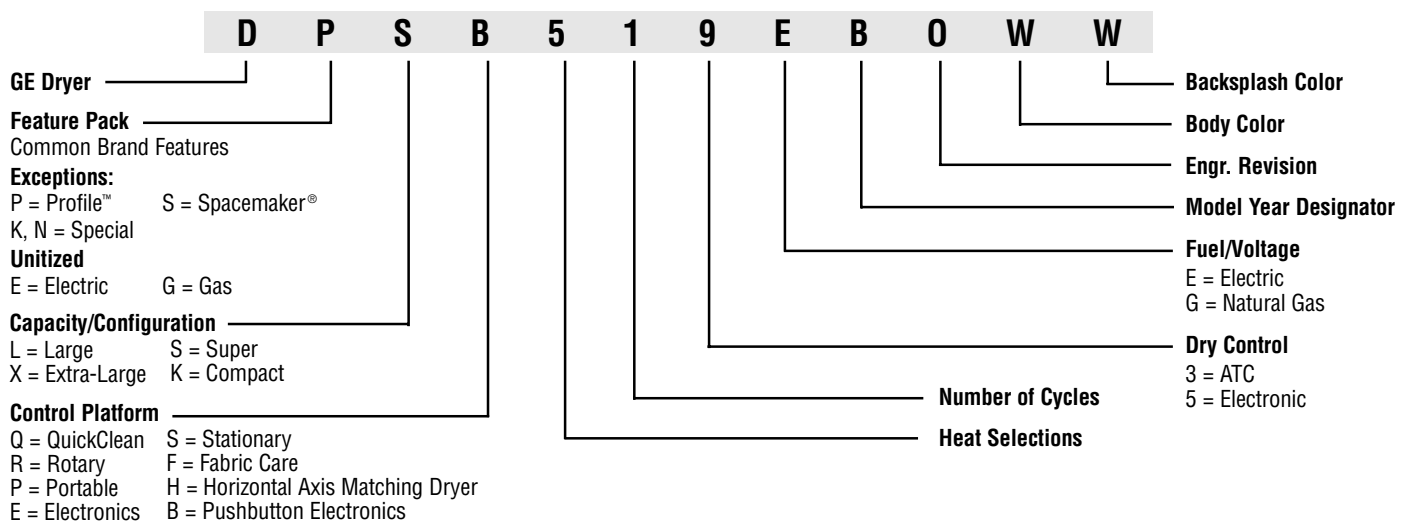
## Reading Dishwasher Nomenclature



## Reading Washer Nomenclature\*



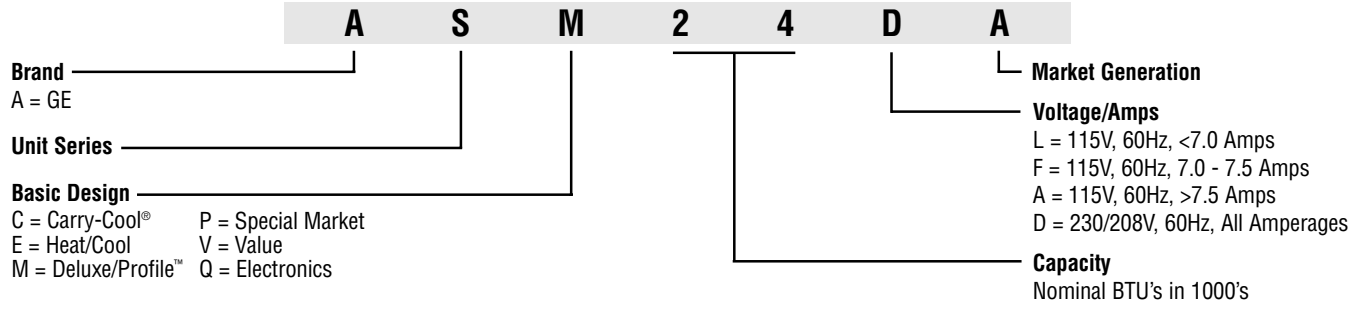
## Reading Dryer Nomenclature\*



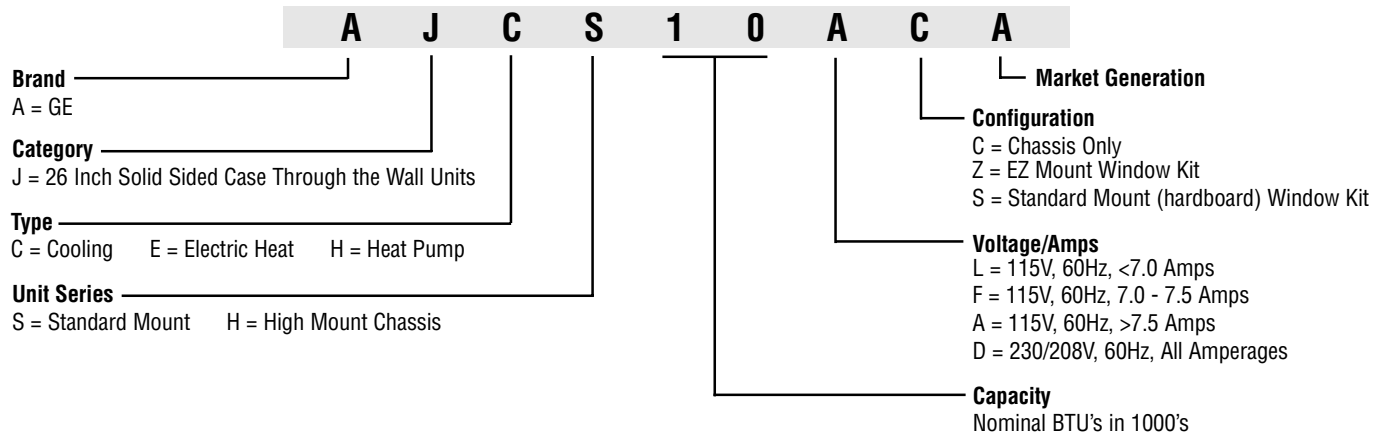
\*Does not apply to Wizard Washer or Dryer



### Reading Window Air Conditioners Nomenclature



### Reading Built-In Air Conditioners Nomenclature





Answers that click!  
 GE puts everything you need at your fingertips.



**GE Appliances web site—  
 16 million visitors a year!  
 GEAppliances.com**

Everything you need to know about GE products is here. Access up-to-date information, find out “what’s new,” obtain dimensions, get installation tips and more. Extremely user-friendly, this one-stop site lets you research by brand, category or model number and even buy online through a local GE dealer.

**GE Answer Center®  
 Saves you time.  
 800.626.2000**

This 24-hour-a-day, 7-day-a-week service provides answers on product features, installation, service and more.

**Visit us at [GEAppliances.com](http://GEAppliances.com)**



**GE Appliances**

General Electric Company  
 Louisville, Kentucky 40225  
[GEAppliances.com](http://GEAppliances.com)

Pub. No. 1-G042 PC32402 2/02

Before purchasing an ENERGY STAR®-qualified appliance, read important information about its estimated annual energy consumption or energy efficiency rating that is available from your retailer or at [GEAppliances.com](http://GEAppliances.com)

GE has a policy of continuous improvement of its products and reserves the right to change materials and specifications without notice.

© 2002 General Electric Company

