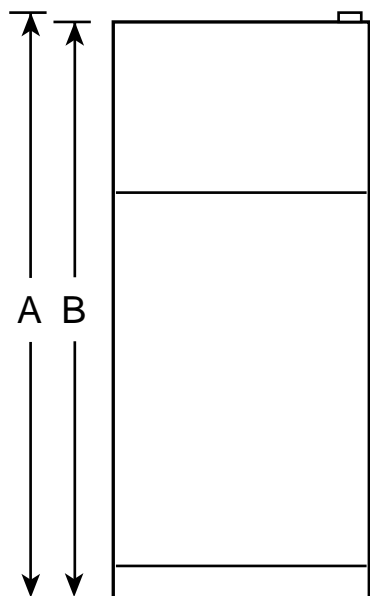


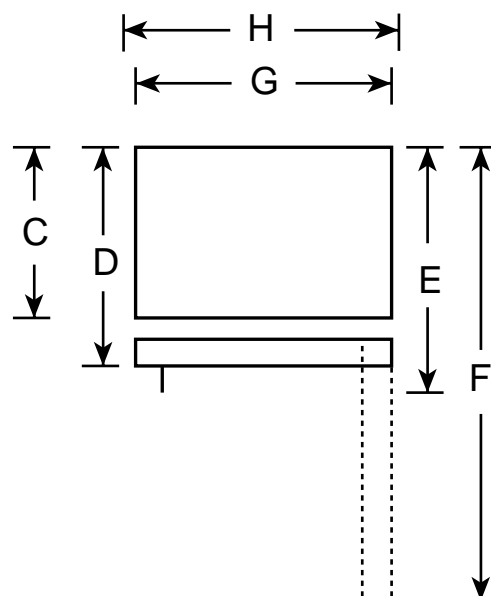
HOTPOINT

CTX18CYBAA - Hotpoint 17.6 Cu. Ft. TMNF Refrigerator

Front View



Top View



Overall Dimensions	Height with hinge (in.) A	67-1/4
	Height without hinge (in.) B	66-3/4
	Depth without Doors (in.) C	26-1/2
	Depth with Doors (in.) D	30
	Depth plus Handle with Doors Closed (in.) E	31-1/4
	Depth with Doors open 90° (in.) F	55-7/8
	Width with Doors Closed (in.) G	28
	Width with Doors open 90° Less Door Handles (in.) H	30-1/2
Air Clearances	Each side (in.)	3/4
	Top (in.)	1
	Back (in.)	1

Note: Before installing, consult installation instructions packed with product for current dimensional data.

HOTPOINT

CTX18CYBAA - Hotpoint 17.6 Cu. Ft. TMNF Refrigerator



Features and Benefits

- 17.6 cu ft Capacity (Fresh Food 13.6 cu ft / Freezer 4.01 cu ft)
- White Vegetable / Fruit Crispers
- 2 Fixed Fresh Food Door Shelves
- 2 Full-Width Adjustable Wire Everwhite Fresh Food Cabinet Shelves
- 2 Freezer Door Shelves
- Equipped for Optional Automatic Icemaker
- Color-Matched Recessed Door Handles
- Model CTX18CYBWW - White on white
- Model CTX18CYBAA - Almond on almond