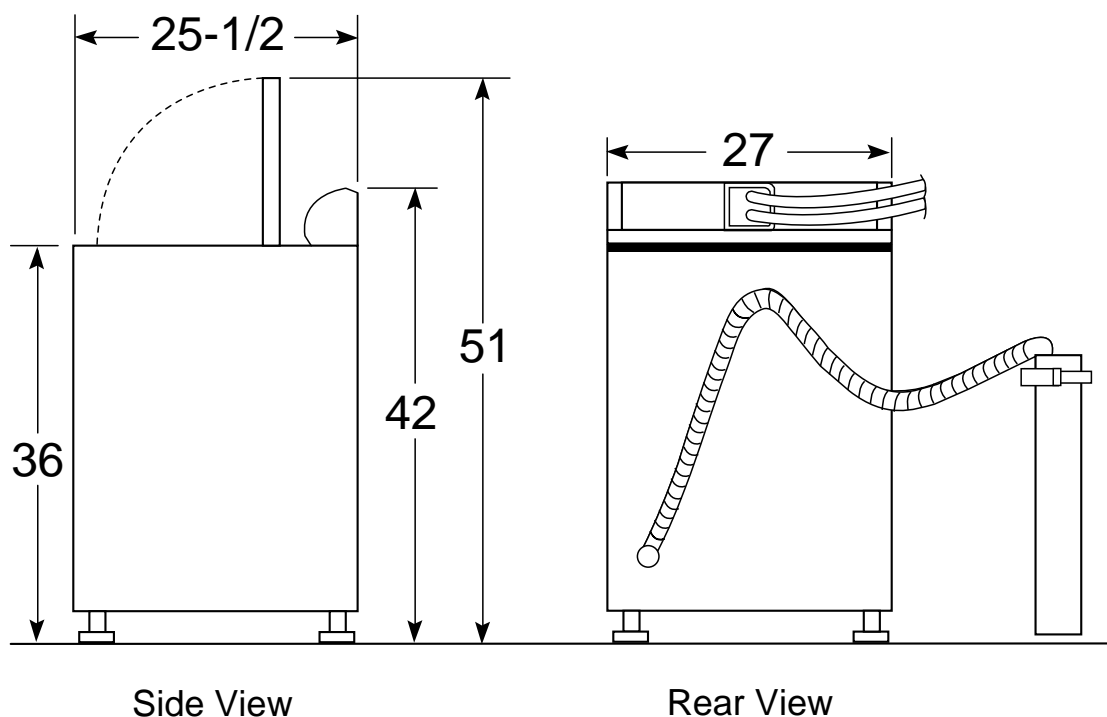


HOTPOINT®

VBSR3100DWW– Hotpoint 3.2 Cu. Ft. Super Capacity Washer

Washer Dimensions (in inches)



Circuit Requirements: An individual, properly-grounded branch circuit, with a three-prong grounding-type receptacle, protected by a 15 or 20 amp circuit breaker or a time-delay fuse, is required.

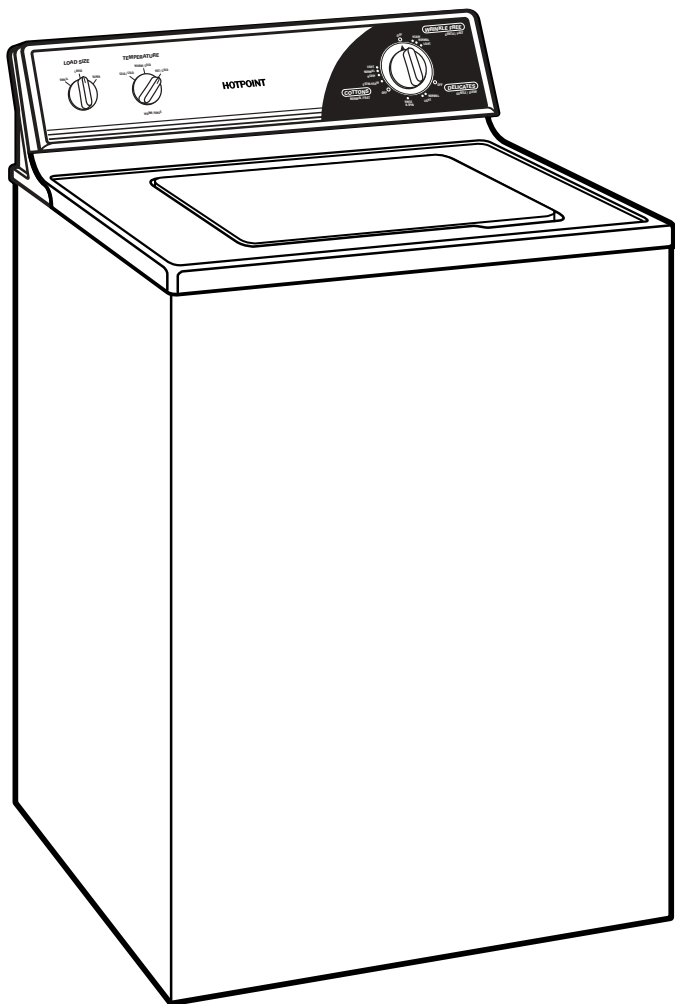
Electrical Rating: 115V, 60Hz, 10 Amps

Installation Information: Before installing, consult installation instructions packed with product for current dimensional data.

Washer Note: Washer wall outlet must be located within 36" of service cord entry. Wall outlet must not be located behind dryer.

HOTPOINT®

VBSR3100DWW – Hotpoint 3.2 Cu. Ft. Super Capacity Washer



Features and Benefits

- Rotary electromechanical controls – Allow fast, easy cycle selection.
- Three wash/spin speed combinations – Alternate between high, medium and low speeds for better clothes care.
- 10 wash cycles – A setting for almost every load, from heavy cottons to delicate synthetics.
- Bleach Dispenser – Automatically mixes bleach with wash water for proper bleaching action.
- Three Water Levels – Minimize water waste.
- GentlePower™ Agitator – Moves clothes gently through water to reduce wear and tear.
- Rinse and Spin – A fast, convenient way to remove odors and residue from items like swimsuits and towels.
- Color lid instructions – Offers easy-to-follow clothing care tips.
- Quiet-By-Design™ – Engineered for quiet operation.
- Model VBSR3100DWW – White on white